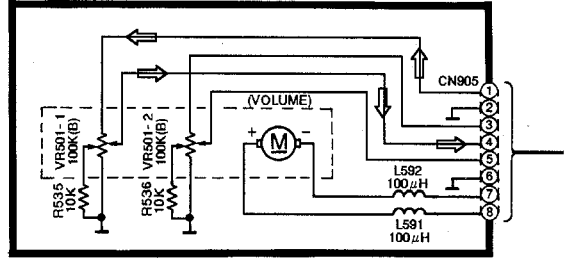
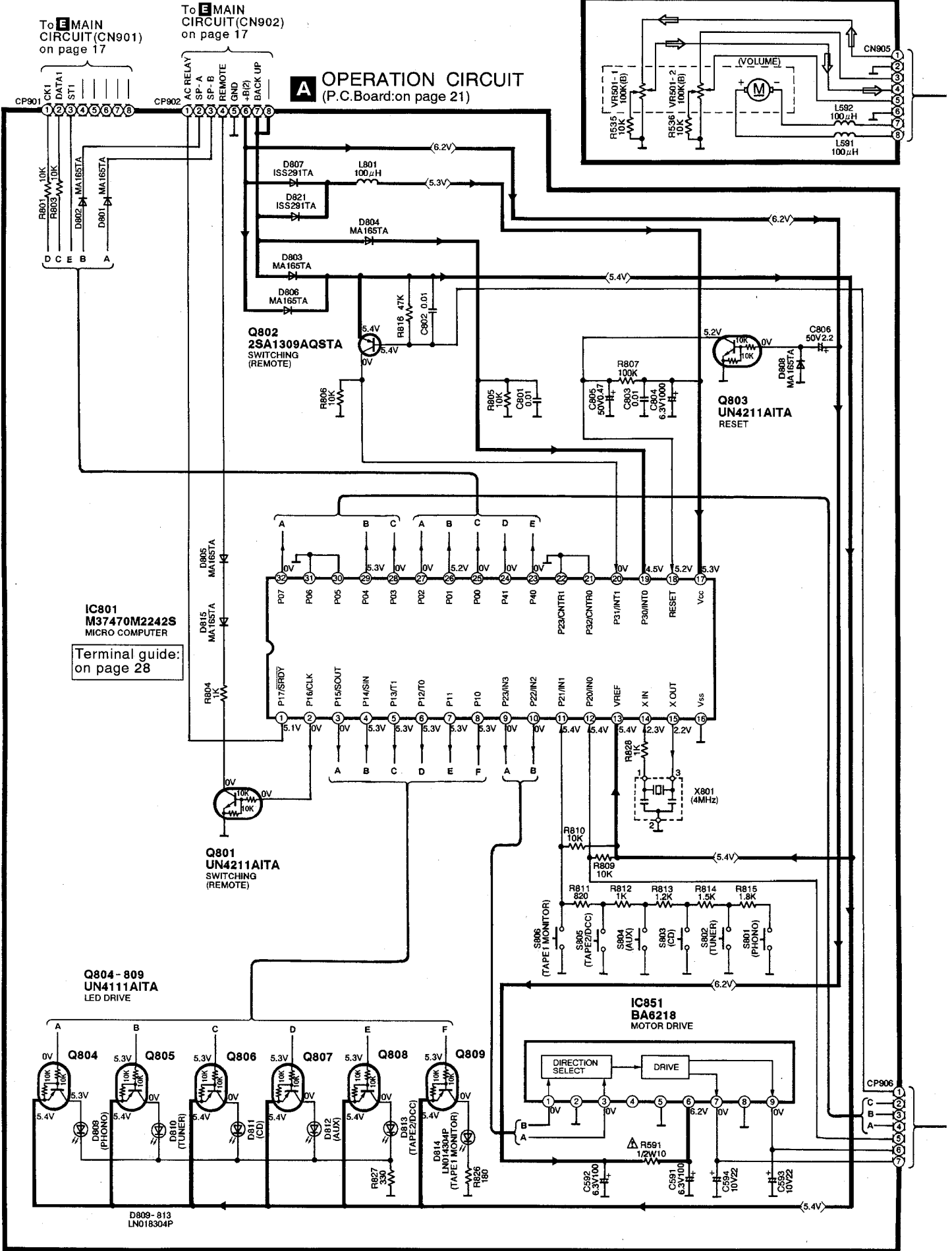


**B** VOLUME CIRCUIT  
(P.C.Board: on page 23)



**A** OPERATION CIRCUIT  
(P.C.Board: on page 21)



IC901  
M37470M2242S  
MICRO COMPUTER

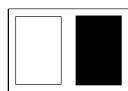
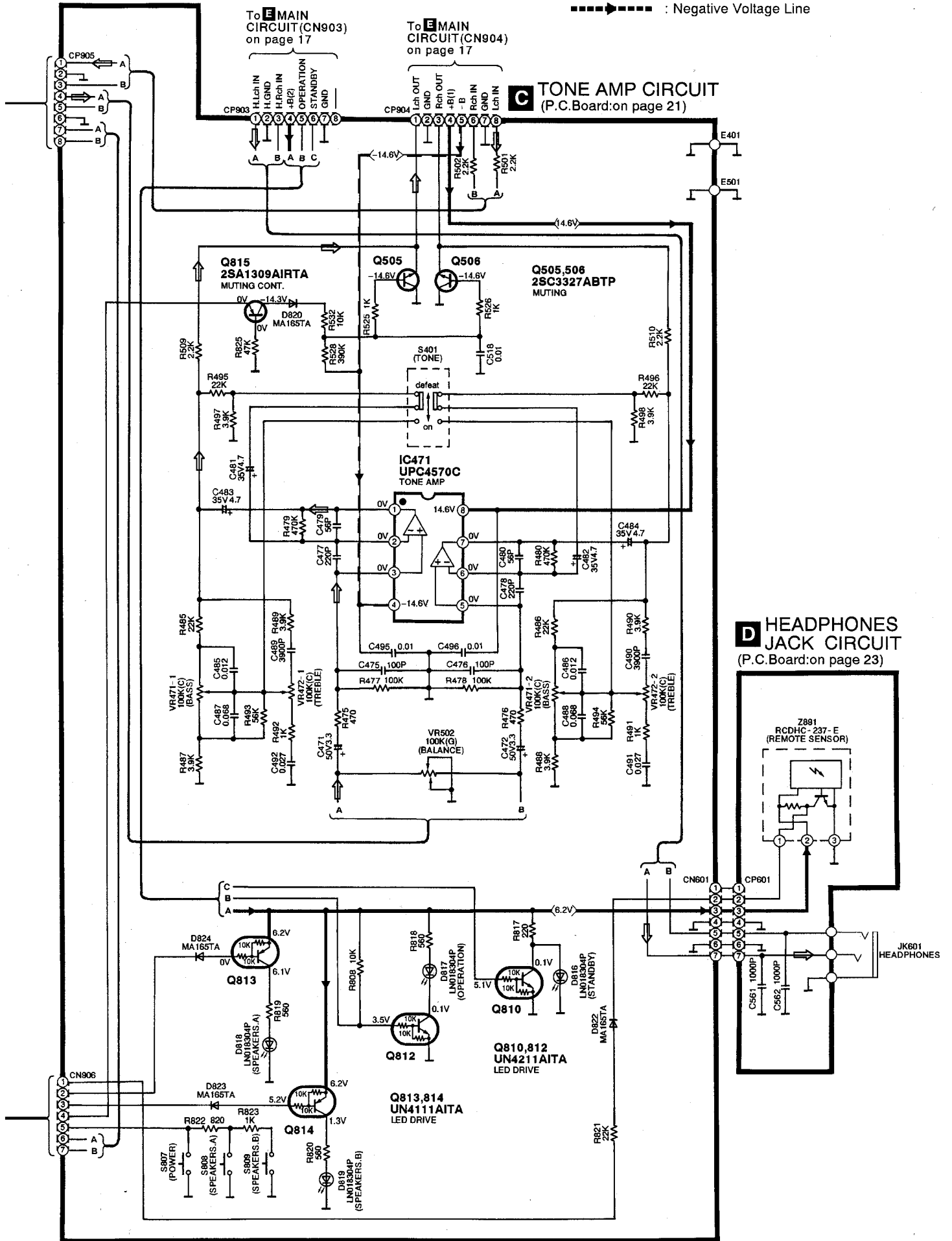
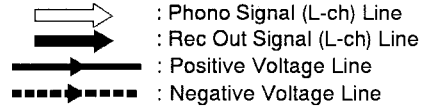
Terminal guide:  
on page 28

Q804 - 809  
UN4111AITA  
LED DRIVE

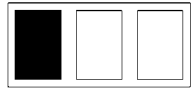
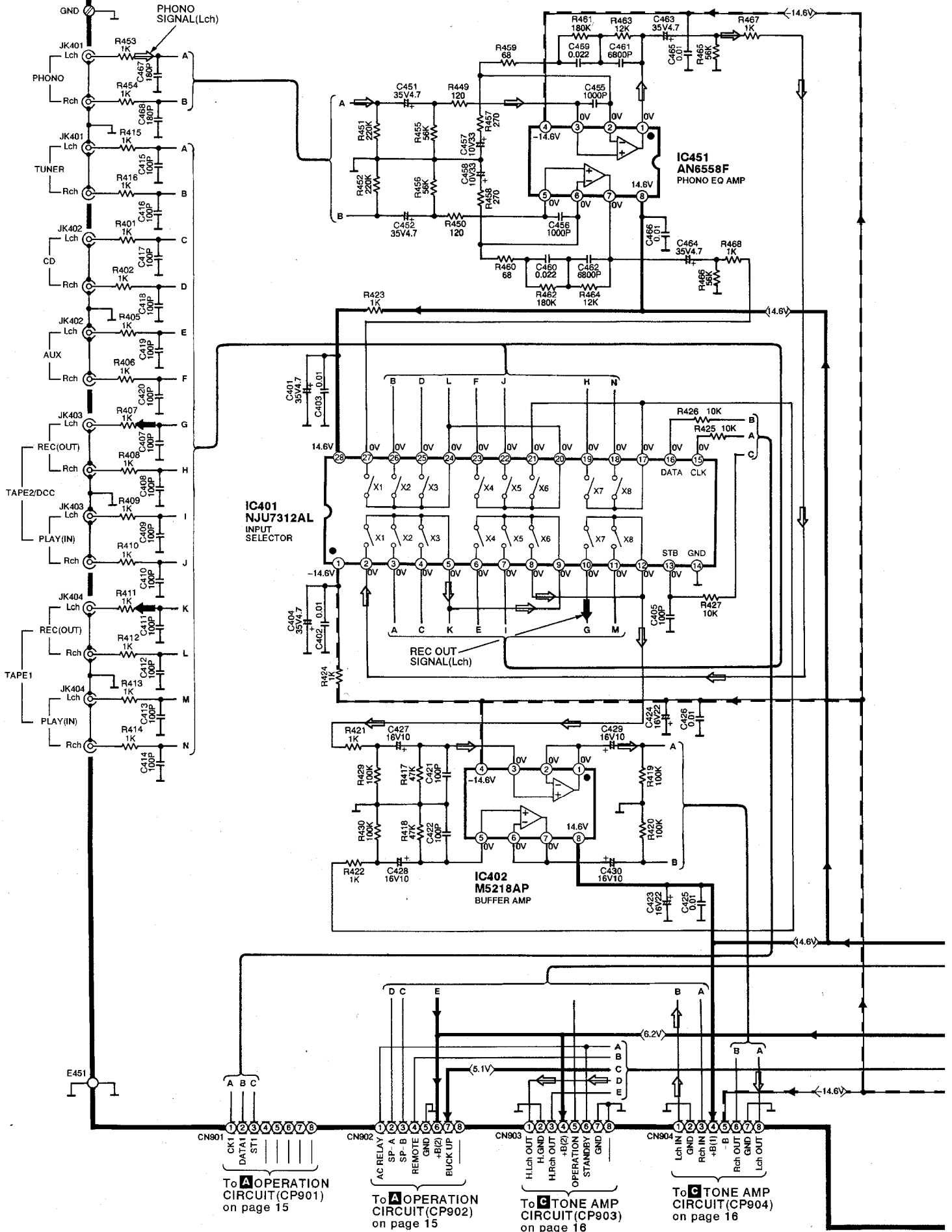
IC951  
BA6218  
MOTOR DRIVE

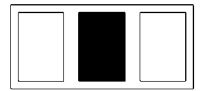
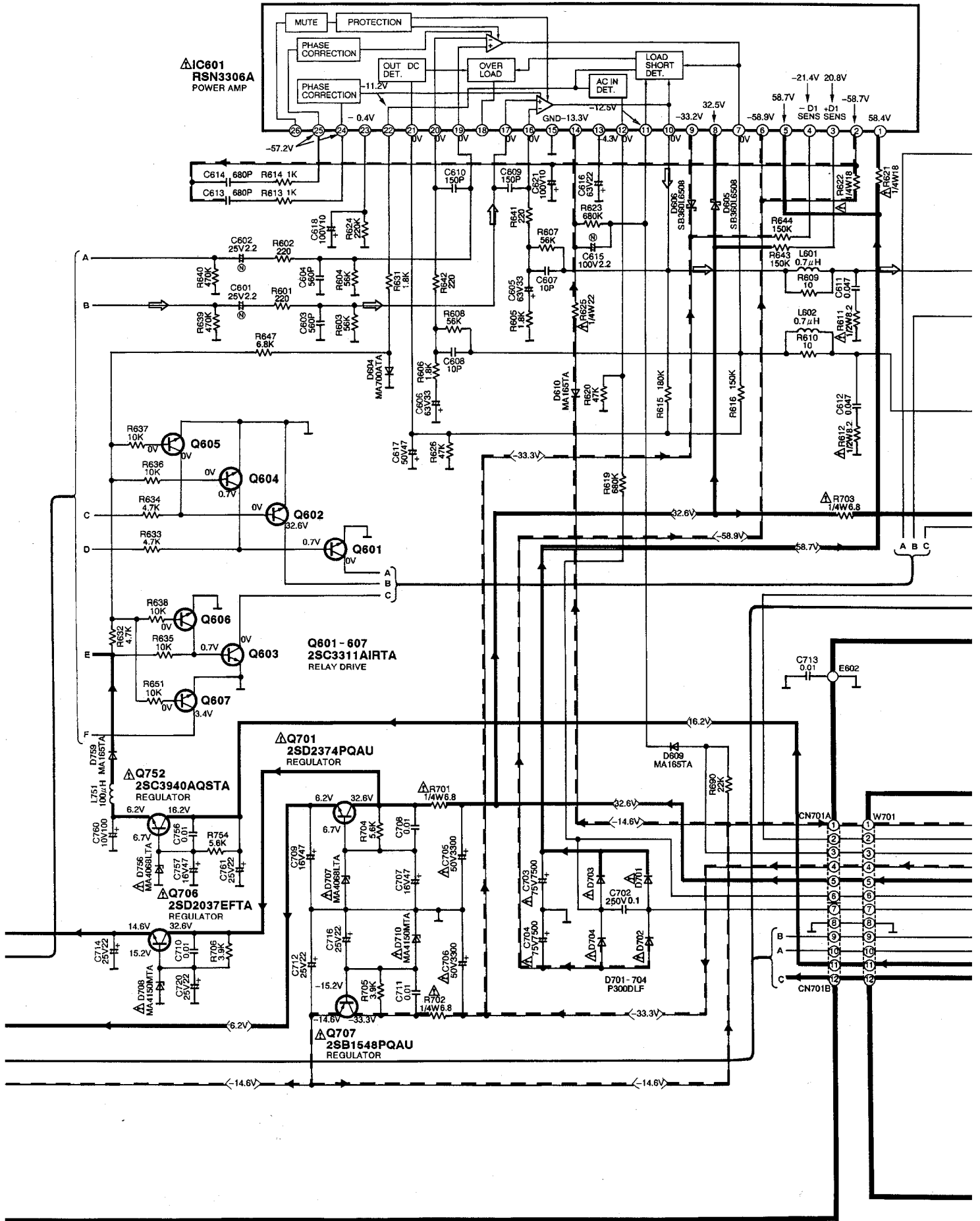
D809 - 813  
LN018304P



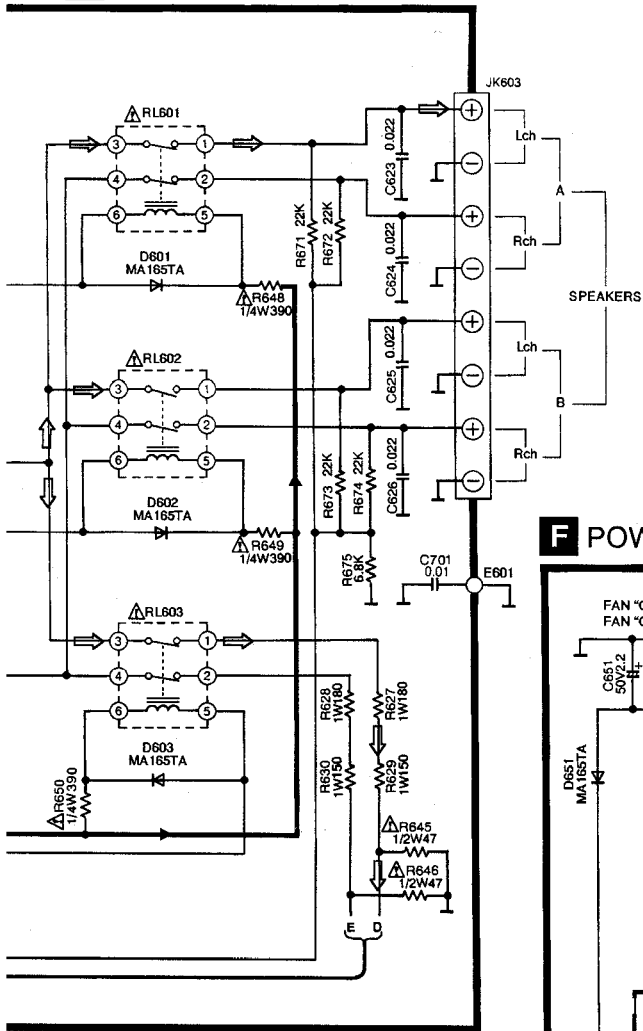


**E** MAIN CIRCUIT (P.C.Board: on pages 22,23)



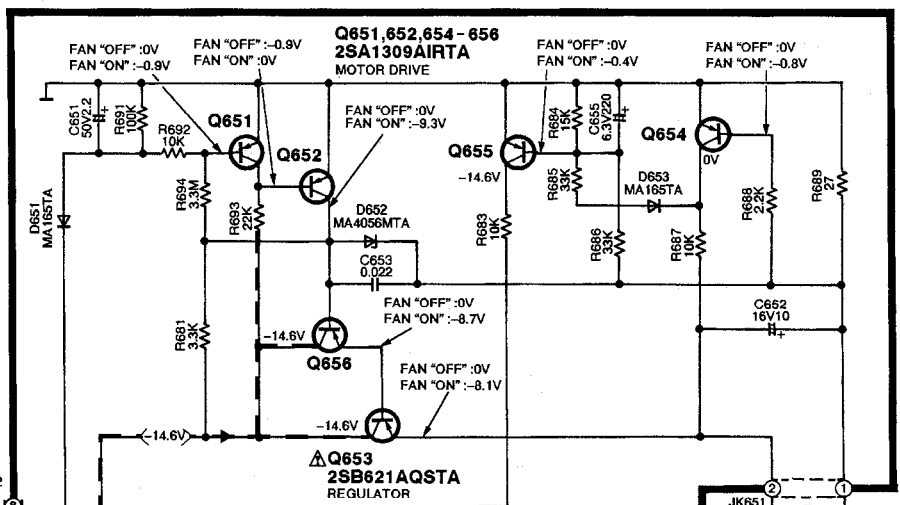


**E MAIN CIRCUIT** (P.C.Board: on pages 22,23)

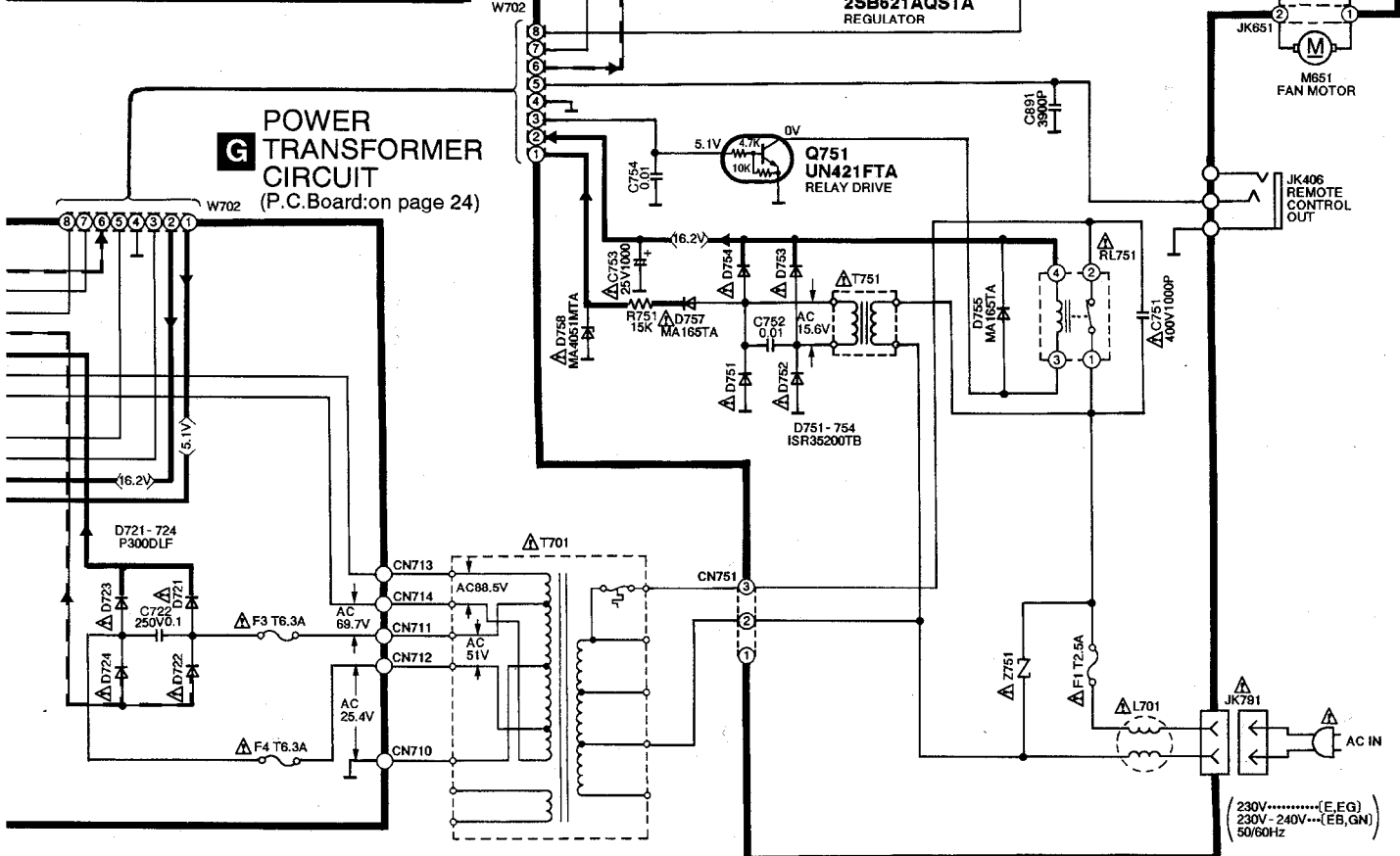


: Phono Signal (L-ch) Line  
 : Positive Voltage Line  
 : Negative Voltage Line

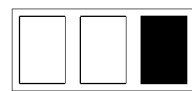
**F POWER SUPPLY CIRCUIT** (P.C.Board: on page 24)



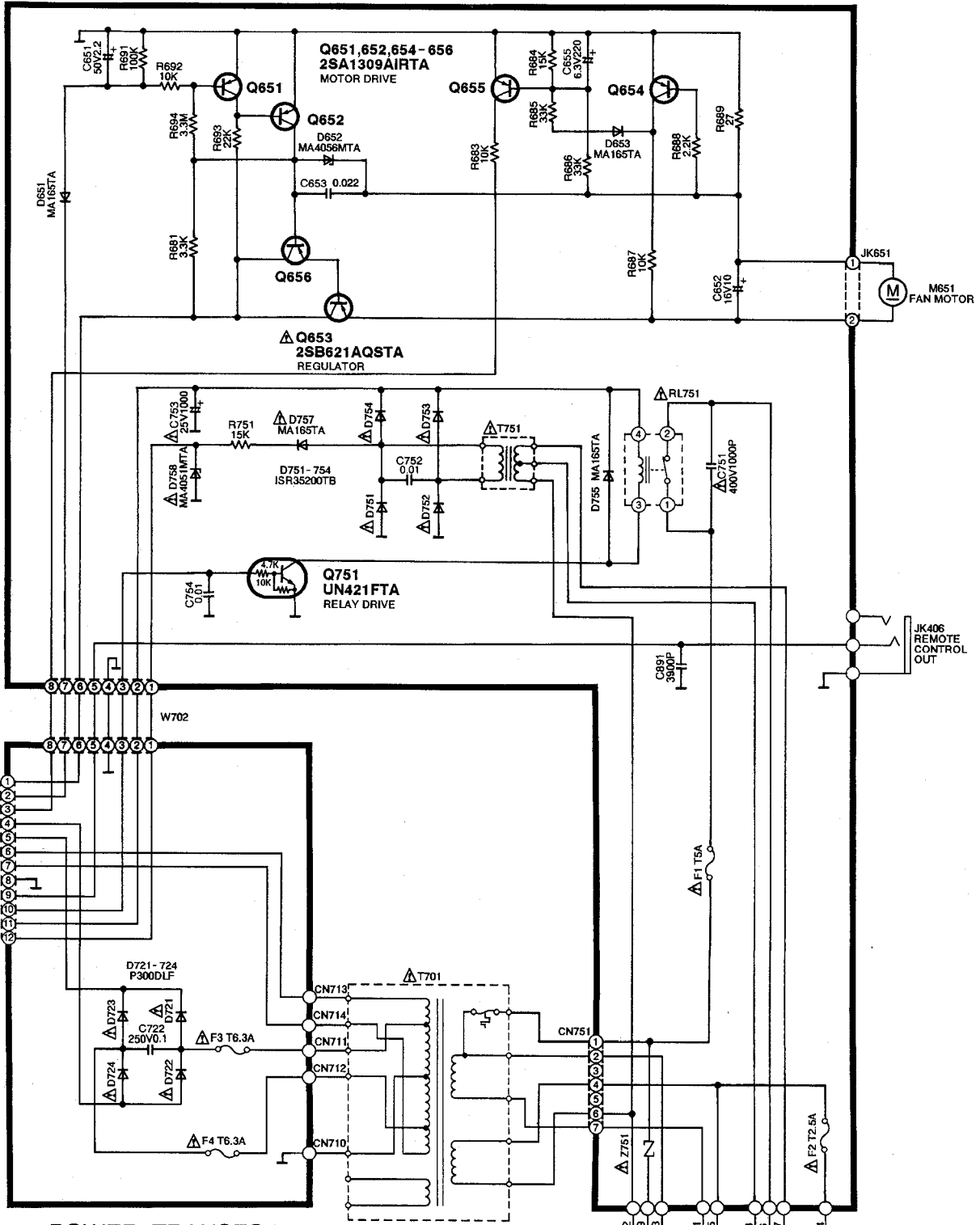
**G POWER TRANSFORMER CIRCUIT** (P.C.Board: on page 24)



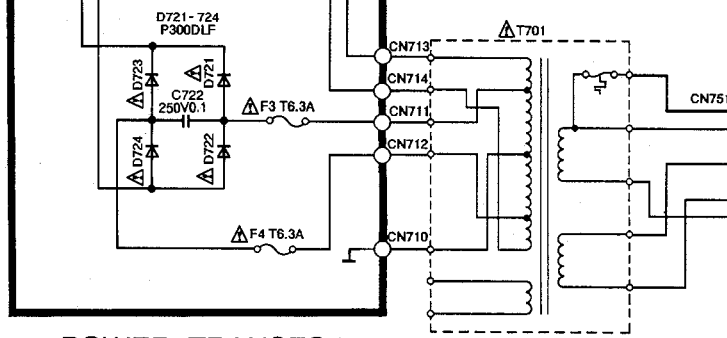
(230V.....)(E,EG)  
 (230V-240V....)(EB,GN)  
 50/60HZ



**F** POWER SUPPLY CIRCUIT



**G** POWER TRANSFORMER CIRCUIT



**H** AC IN CIRCUIT

