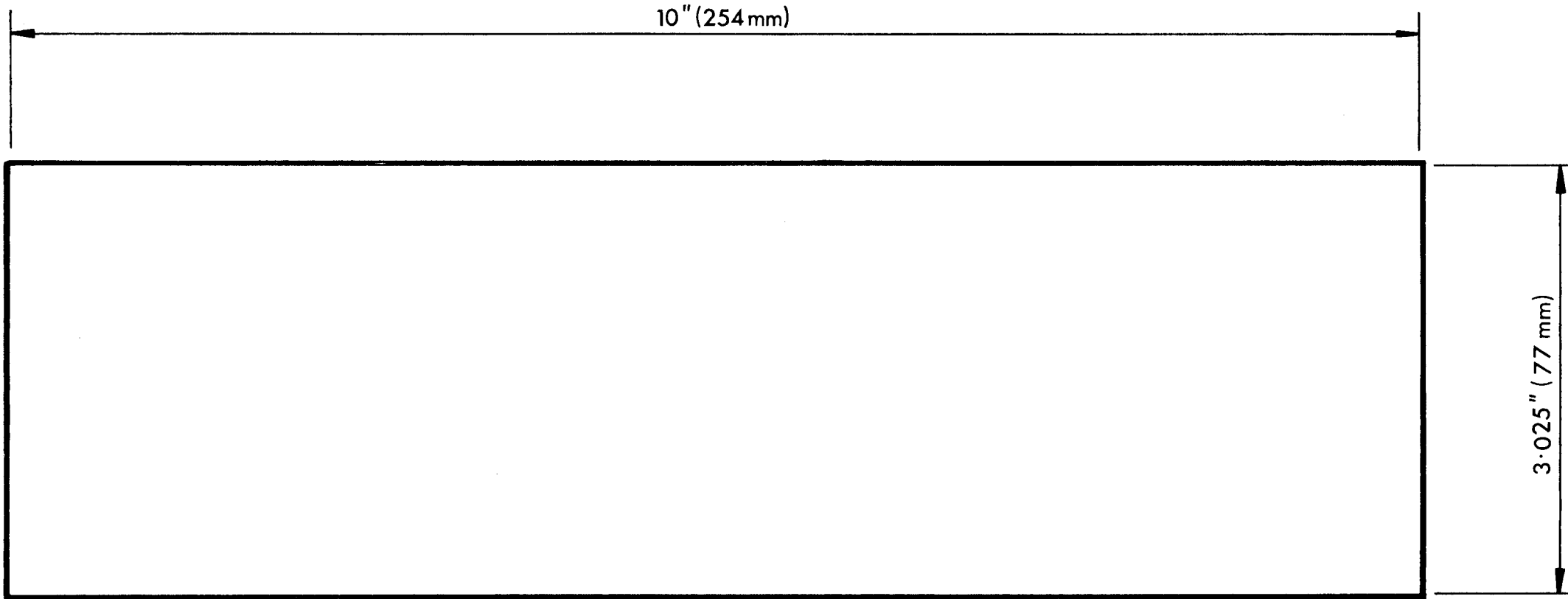
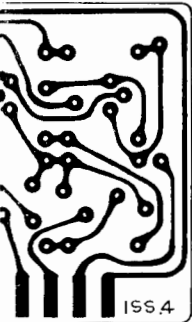


QUAD 303 CIRCUIT DIAGRAM (ABOVE SERIAL No. 11500) DRG. No. M 12160 155. 1.

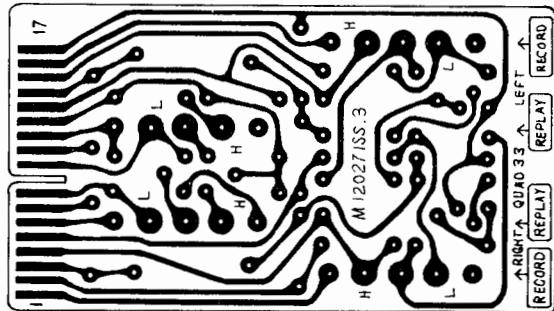


CUTOUT TEMPLATE FOR QUAD CONTROL UNIT & TUNER

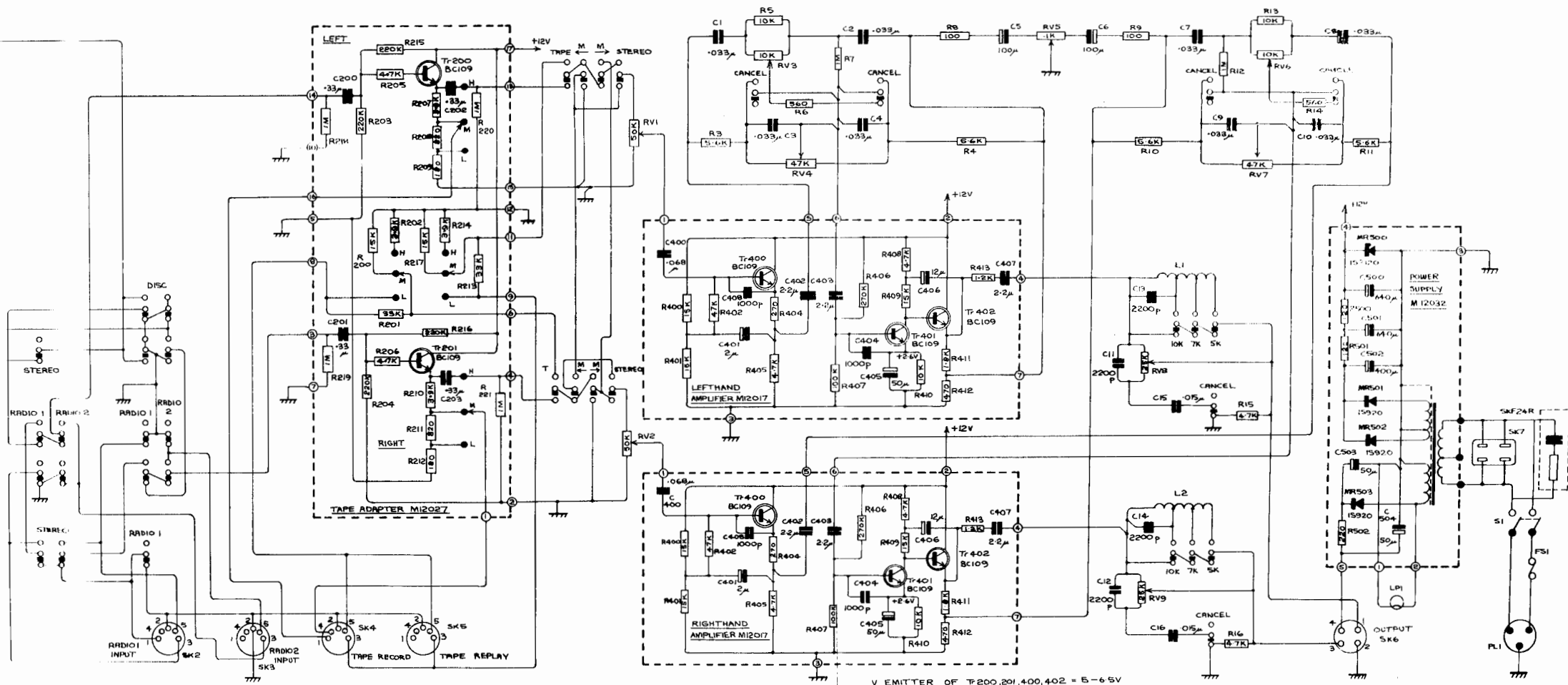
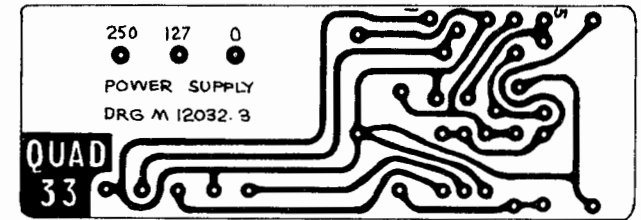
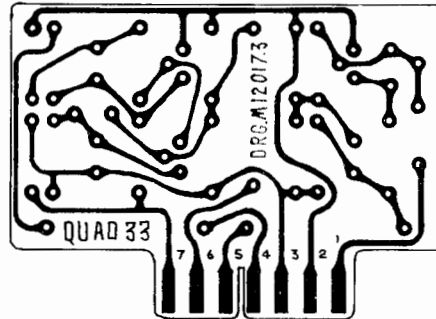
LEFT



4 3 2 1



RIGHT HAND AMPLIFIER IS TO THE REAR OF UNIT

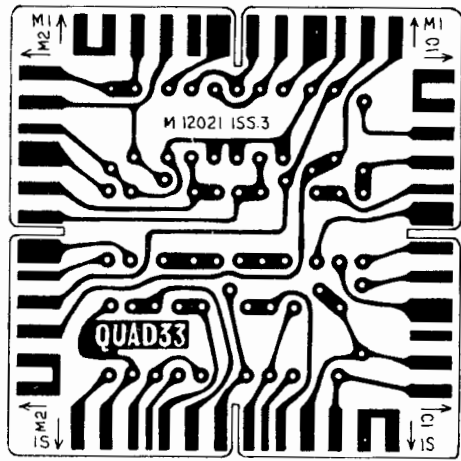


THE LEAD NUMBER OF EACH CONTROL IS IN THE CIRCLE

VOLTAGES SHOWN ARE APPROXIMATE AND ALLOWANCE SHOULD BE MADE FOR LOADING

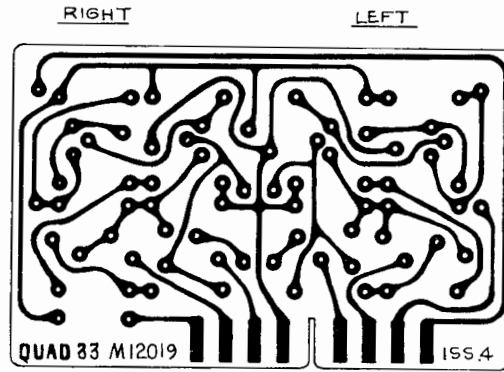
V EMITTER OF T1,200,201,400,402 = 5-6.5V

1 2 3 4 5 6 7 8 9 10 11 12 13 14

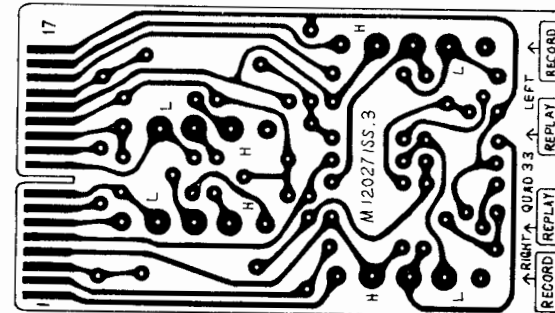


14 13 12 11 10 9 8 7 6 5 4 3 2 1

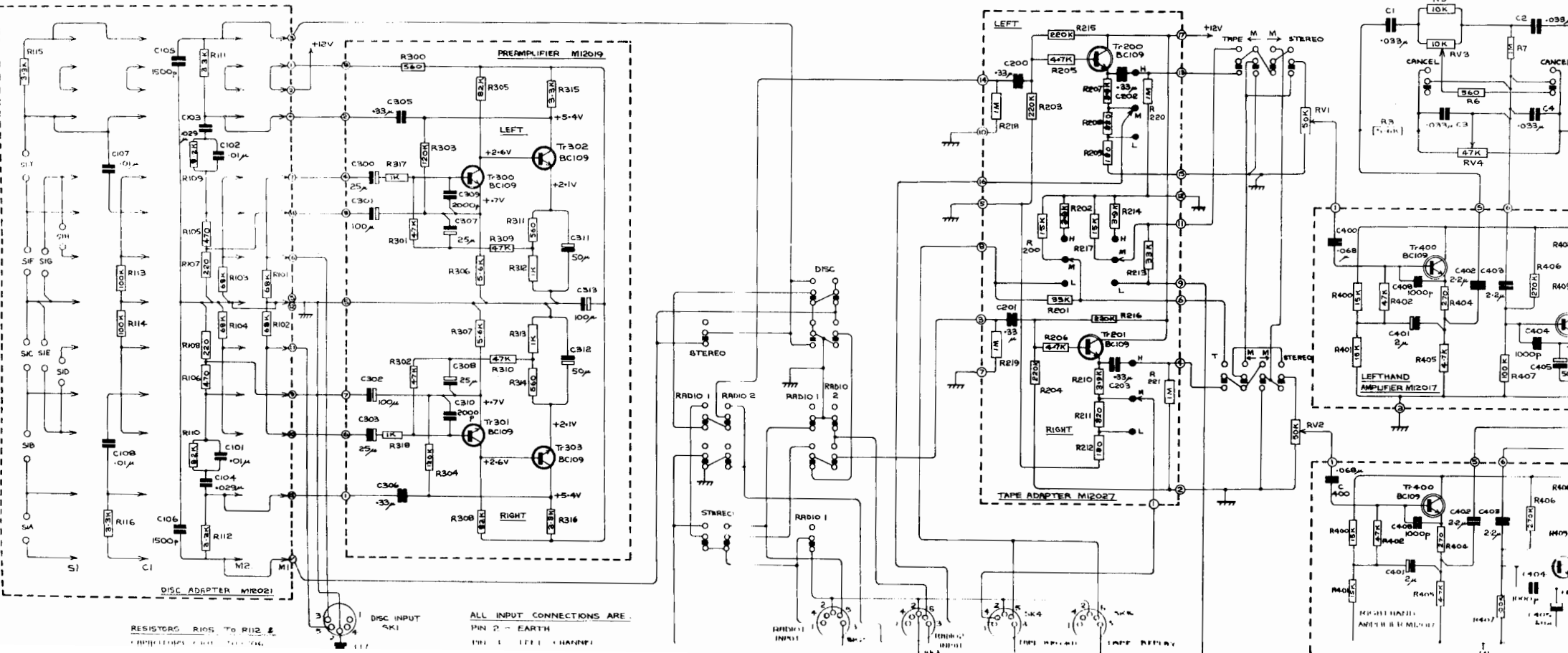
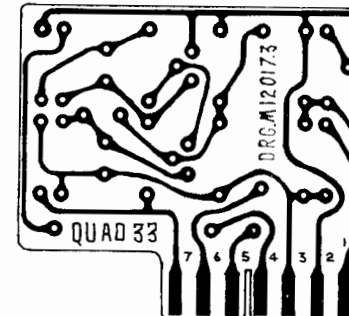
1  
2  
3  
4  
5  
6  
7  
8  
9  
10  
11  
12  
13  
14



8 7 6 5 4 3 2 1



RIGHT HAND AMPLIFIER IS  
REAR OF UNIT



RESISTORS R105 TO R112 & CAPACITORS C101 TO C106

DISC INPUT SKI

ALL INPUT CONNECTIONS ARE PIN 2 - EARTH  
PIN 1 - LEFT CHANNEL

DISC INPUT  
RADIO 1 INPUT  
RADIO 2 INPUT  
TAPE RECORD  
TAPE REPLAY

RIGHT HAND AMPLIFIER M12017.3