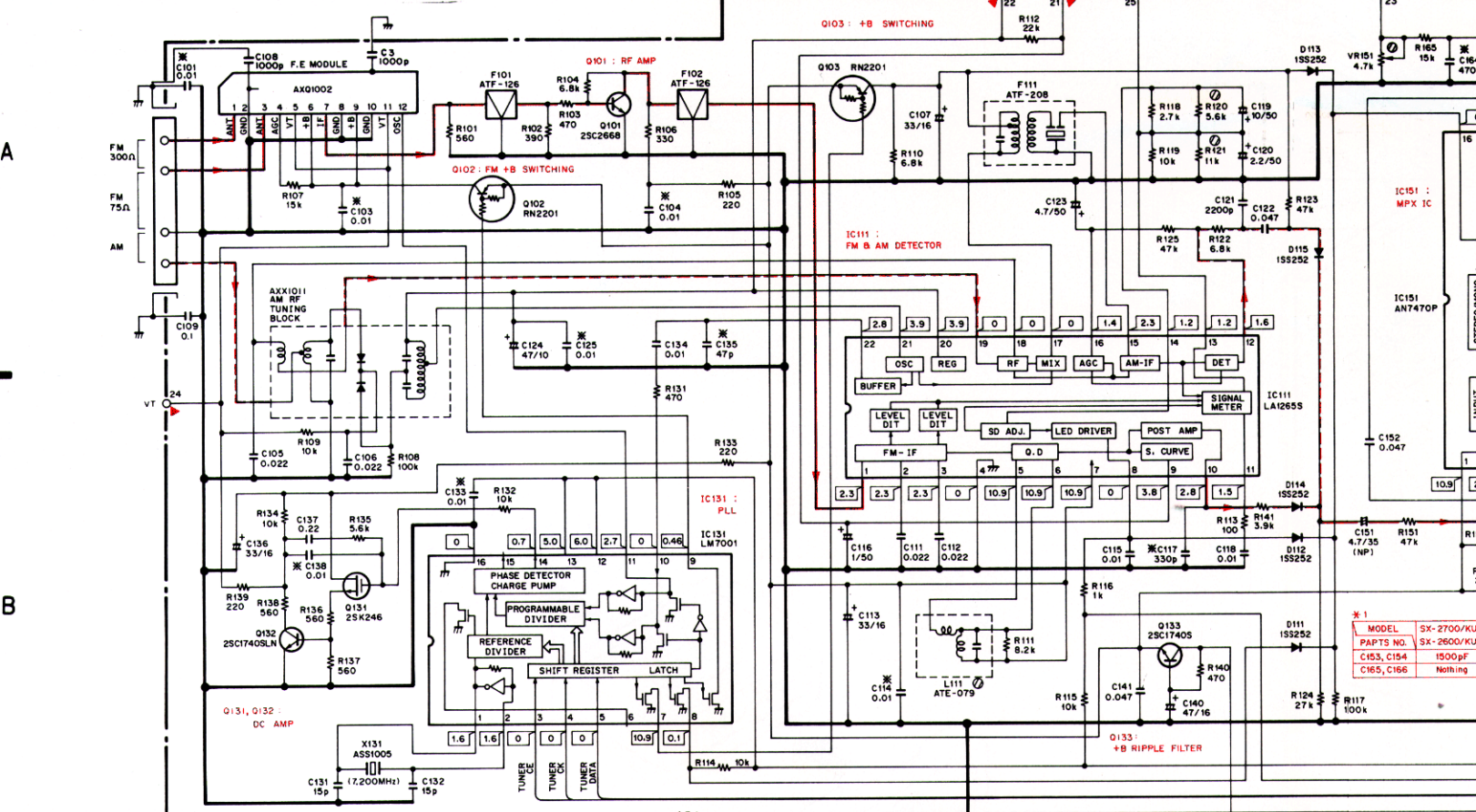
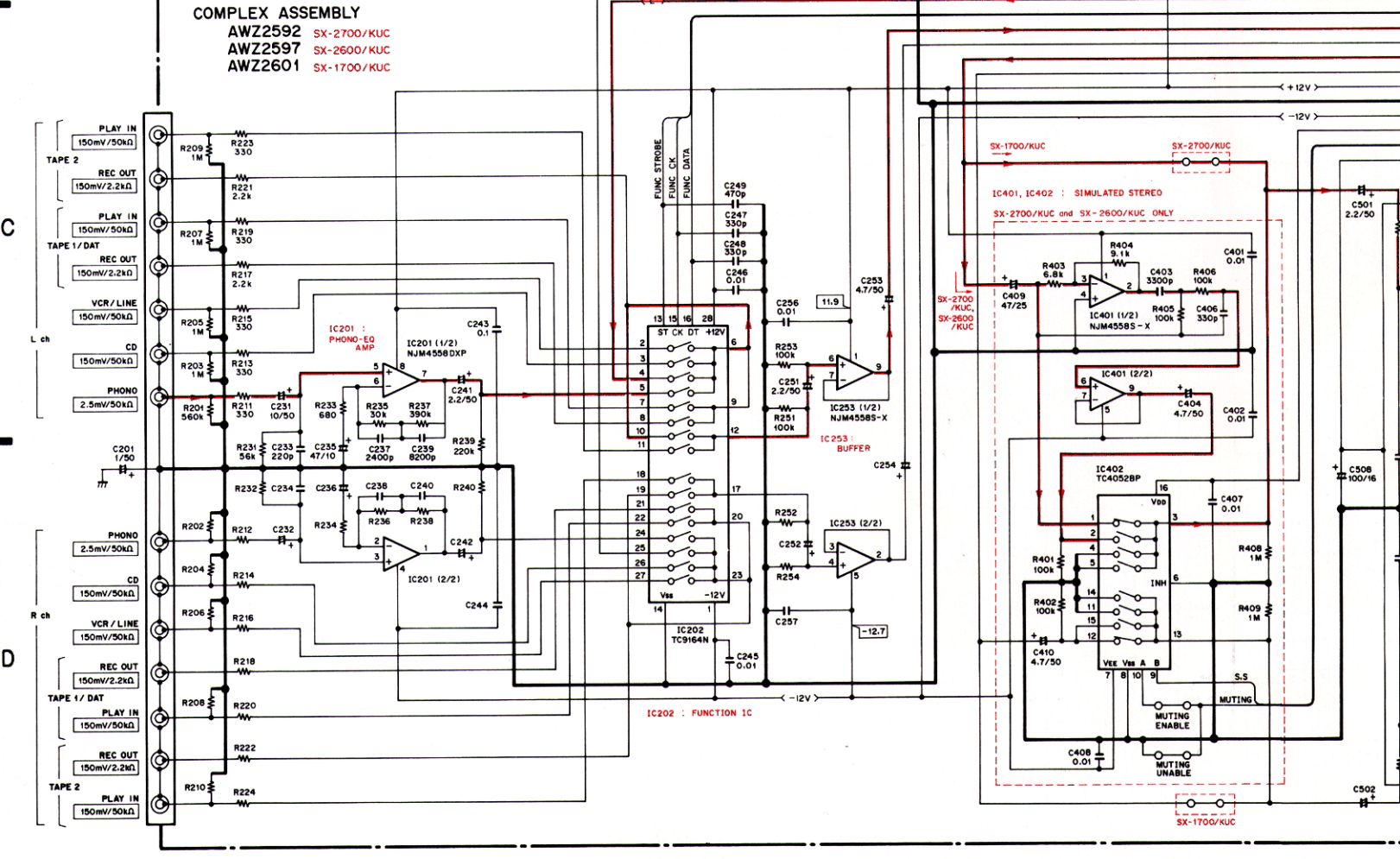


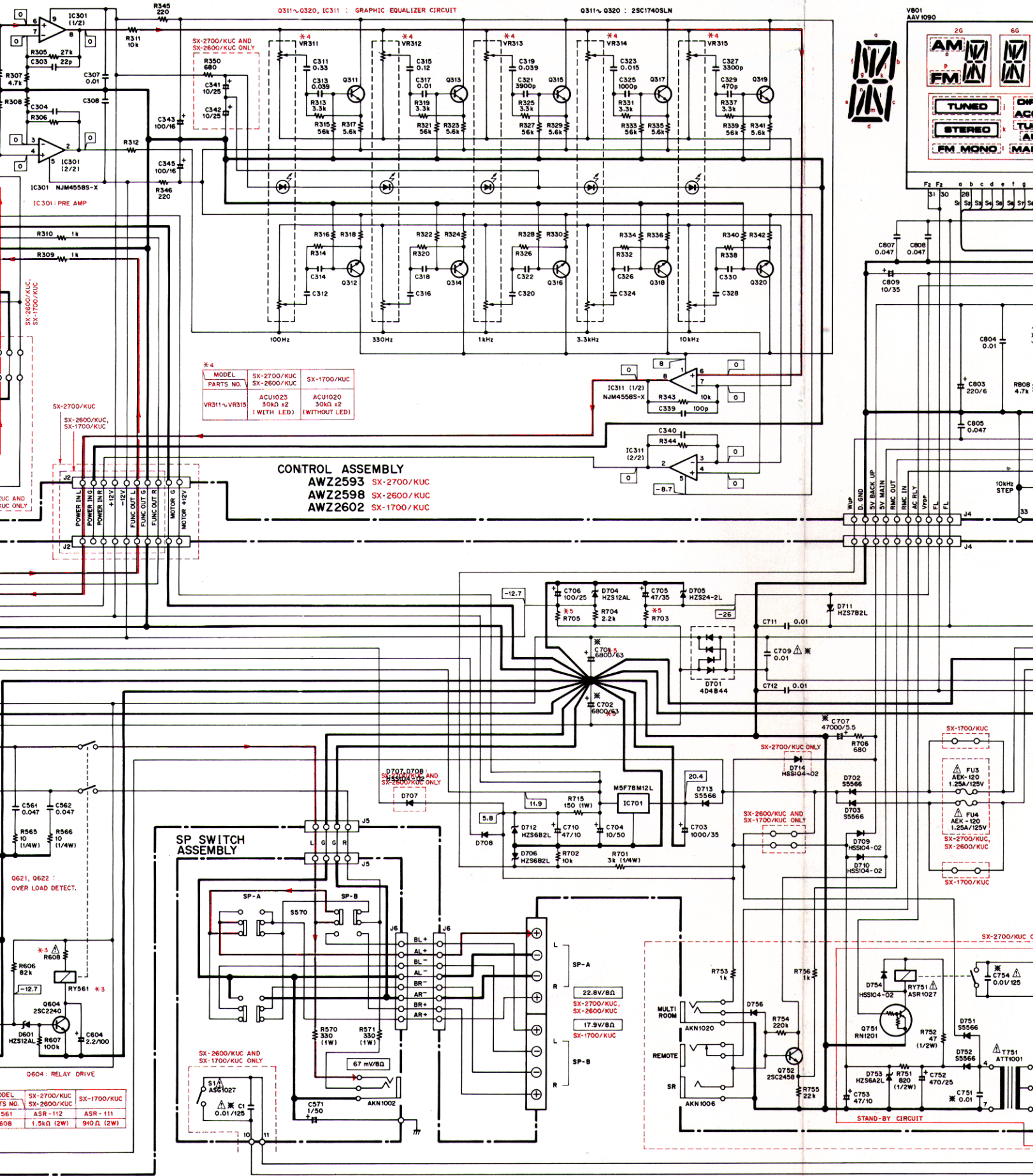
3. SCHEMATIC DIAGRAM

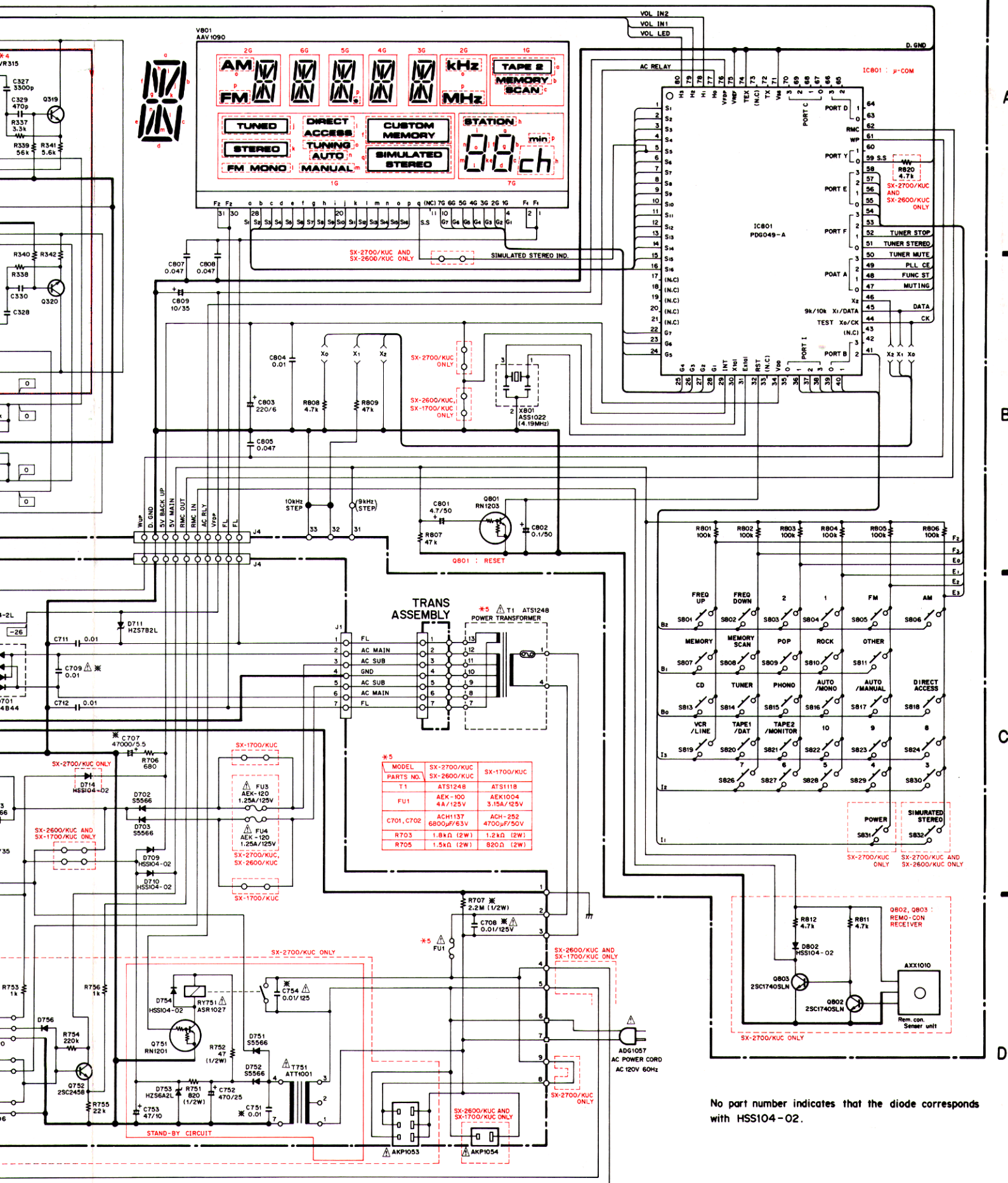


COMPLEX ASSEMBLY
AWZ2592 SX-2700/KUC
AWZ2597 SX-2600/KUC
AWZ2601 SX-1700/KUC



| | | |
|----|------------|-------------|
| *1 | MODEL | SX-2700/KUC |
| | PAPTS NO. | SX-2600/KUC |
| | C153, C154 | 1500pF |
| | C165, C166 | Nothing |





*5

| MODEL | SX-2700/KUC | SX-2600/KUC | SX-1700/KUC |
|------------|----------------------|-----------------------|-------------|
| T1 | ATS1248 | ATS1118 | |
| FU1 | AEK-100 4A/125V | AEK1004 3.15A/125V | |
| C701, C702 | ACH137 6800µF/63V | ACH-252 4700µF/50V | |
| R703 | 1.8kΩ (2W) | 1.2kΩ (2W) | |
| R705 | 1.5kΩ (2W) | 820Ω (2W) | |

No part number indicates that the diode corresponds with HSS104-02.