


ONKYO® SERVICE MANUAL

AUDIO VIDEO CONTROL TUNER AMPLIFIER MODEL TX-SV525 MODEL TX-SV525R

Black and Silver models

BMD, BMDN	120V AC, 60Hz
BMP, SMP	230V AC, 50Hz
BMW	120V or 220V AC, 50/60Hz

SAFETY-RELATED COMPONENT WARNING!!

COMPONENTS IDENTIFIED BY MARK  ON THE SCHEMATIC DIAGRAM AND IN THE PARTS LIST ARE CRITICAL FOR RISK OF FIRE AND ELECTRIC SHOCK. REPLACE THESE COMPONENTS WITH ONKYO PARTS WHOSE PART NUMBERS APPEAR AS SHOWN IN THIS MANUAL.

MAKE LEAKAGE-CURRENT OR RESISTANCE MEASUREMENTS TO DETERMINE THAT EXPOSED PARTS ARE ACCEPTABLY INSULATED FROM THE SUPPLY CIRCUIT BEFORE RETURNING THE APPLIANCE TO THE CUSTOMER.

TABLE OF CONTENTS

- Specifications 2
- Service procedures 3
- Exploded view (TX-SV525) 4
- Parts list (TX-SV525) 5
- Exploded view (TX-SV525R) 6
- Parts list (TX-SV525R) 7
- Block diagram (Tuner section) 8
- 120V model 8
- Other models 9
- Microprocessor connection diagram 10
- Microprocessor descriptions 11
- IC block diagrams and descriptions 12
- Adjustment procedures 21
- Pc board-parts list (Amplifier section) 23
- Schematic diagram 25
- Printed circuit board view 29
- Schematic diagram 33
- Printed circuit board view 37
- Printed circuit board-parts list 39
- Schematic diagram 41
- Pc board-parts list (Amplifier section) 45
- Pc board view (Tuner section) 46
- Block diagram (Amplifier section) 47
- Packing view 49
- Notes 50



SPECIFICATIONS

AMPLIFIER SECTION

Power Output:

Stereo mode

Front L/R channels

80 watts per channel min. RMS. at 8 ohms, both channels driven, from 20 Hz to 20,000 Hz, with no more than 0.08% total harmonic distortion.

Continuous power output:

2 × 100 watts at 8 ohms (DIN)

Surround mode and Multi source mode

Front L/R and center channels

60 W + 60 W + 60 W (1 kHz 0.08 % 8 ohms)

Rear channels (Rear only driven)

20 W + 20 W (1 kHz 0.8 % 8 ohms)

Remote channels

60 W + 60 W (1 kHz 0.1 % 8 ohms)

IM Distortion:

0.08% at rated power (FRONT)

Damping Factor:

60 at 8 ohms (FRONT)

Input sensitivities and impedance:

Phono: 2.5 mV/50 kohms

CD/Tape play/Video in: 150 mV/50 kohms

Output level and impedance:

Tape rec/Video out: 150 mV/2.2 kohms

Pre out (SUBWOOFER): 1 V/2.2 kohms

120 mV RMS. at 1,000 Hz, 0.5% THD.

20 to 30,000 Hz, +/-1 dB

20 to 20,000 Hz, +/-0.8 dB

BASS: +/-10 dB at 100 Hz

TREBLE: +/-10 dB at 10,000 Hz

PHONO: 80 dB (IHF A, 5 mV input)

CD/TAPE: 100 dB (IHF A)

-∞ dB

Phono Overload:

Frequency Response:

RIAA Deviation:

Tone Control:

Signal to Noise Ratio:

Muting:

VIDEO SECTION

Signal sensitivity and impedance:

VDP/VCR input, output: 1 Vp-p, 75 ohms

TUNER SECTION

FM:

Tuning Range:

87.5 — 108.0 MHz (50 kHz steps)

Usable Sensitivity:

Mono: 11.2 dBf, 1.0 μV (75 ohms)

0.9 μV (26 dB S/N, 40 kHz Div.)

75 ohm DIN

Stereo: 17.2 dBf, 2.0 μV (75 ohms)

23 μV (46 dB S/N, 40 kHz Div.)

75 ohm DIN

50dB Quieting Sensitivity:

Mono: 17.2 dBf, 2.0 μV (75 ohms)

Stereo: 37.2 dBf, 20 μV (75 ohms)

Capture Ratio:

1.5 dB

Image Rejection Ratio:

USA & Canadian models: 40 dB

Other area models: 85 dB

IF Rejection Ratio:

90 dB

Signal-to-Noise Ratio:

Mono: 73 dB

Stereo: 67 dB

Alternate Channel Attenuation: 55 dB, 50 dB (DIN)

AM Suppression Ratio: 50 dB

Total Harmonic Distortion: Mono: 0.15%

Stereo: 0.25%

Frequency Response: 30 — 15,000 Hz +/-1.5 dB

Stereo Separation: 45 dB at 1 kHz/30 dB

at 100 — 10,000 Hz

Muting Level:

17.2 dBf, 2.0 μV (75 ohms)

AM:

Tuning Range:

European models

522 — 1611 kHz (9 kHz steps)

USA & Canadian models

530 — 1710 kHz (10 kHz steps)

Worldwide models

531 — 1602 kHz (9 kHz steps)

530 — 1710 kHz (10 kHz steps)

Usable Sensitivity:

30 μV

Image Rejection Ratio:

40 dB

IF Rejection Ratio:

40 dB

Signal-to-Noise Ratio:

40 dB

Total Harmonic Distortion:

0.7%

GENERAL

Power Supply:

USA & Canadian models

AC120 V, 60 Hz

European models

AC230 V, 50 Hz

Worldwide models

120 and 220 V switchable, 50/60 Hz

Dimensions (W × H × D):

455 × 170 × 389 mm

17-15/16" × 6-11/16" × 15-5/16"


Mass:


11.8 kg (26.0 lbs)

Specifications and features are subject to change without notice.

SERVICE PROCEDURES

1. Replacing the fuses

 This symbol located near the fuse indicates that the fuse used is fast operating type. For continued protection against fire hazard, replace with same type fuse. For fuse rating refer to the marking adjacent to the symbol.

 Ce symbole indique que le fusible utilise est a rapide. Pour une protection permanente, n'utiliser que des fusibles de meme type. Ce dernier est indique la qu le present symbol est appose.

CIRCUIT NO.	PART NO.	DESCRIPTION
F901	252166Y	6.3A-UL/T-237, Primary <D/W>
F902	252076	3.15A-TSC, Primary <P/W>
F903	252075	2.5A-SE-EAK, Primary <P>

NOTE: <D> :120V model only
 <P> :230V model only
 <W> :Worldwide model only

2. To Initialize the unit

This device employs a microprocessor to perform various functions and operations. If interference generated by an external power supply, radio wave, or other electrical source results in accident which causes the specified operations and functions to operate abnormally.

To perform a result, please follow the procedure below.

1. Press and hold down the VIDEO-1 button, then press the POWER button.
2. After "clear" is displayed, the preset memory and each mode stored in the memory, such as surround, are initialized and will return to the factory settings.

3. Safety-check out

(Only U.S.A. model)

After correcting the original service problem, perform the following safety check before releasing the set to the customer. Connect the insulating-resistance tester between the plug of power supply cord and the screw on the back panel.

Specifications: 3.3 Mohm±10% at 500V.

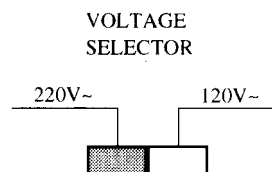
4. Change of voltage

Worldwide models are equipment with a voltage selector to conform with local power supplies. This switch is located on the back panel.

Be sure to set this switch to match the voltage of the power supply in your area before turning the power switch on.

This switch is set to 220V at the factory. Voltage is changed by

sliding the groove in the switch with the screwdriver to the right or left. Confirm that the switch has been moved all the way to the right or left before turning the power switch on.



5. Memory preservation

This unit does not require memory preservation batteries.

A built-in memory power back-up system preserves contents of the memory during power failures and even when the unit is unplugged.

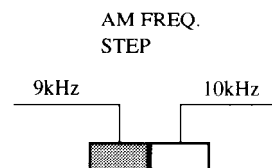
The unit must be plugged in and the power switch turned on and off once in order to charge the back-up system. Note that since this is not a permanent memory, the power switch must be turned on and off a few times each month the keep the back-up system operative.

The period of the time during which memory contents are preserved after power has last been turned off varies depending on climate and placement of the unit. On the average, memory contents are protected over a period of 3 to 4 weeks (a minimum of 2 weeks) after the last time power has been turned off. This period is shorted when the unit is exposed to very high humidity or used in an area with an extremely humid climate.

6. Setting the tuning step frequency

Worldwide models are equipped with a step band selector switch. This switch is located on the back panel. This switch is set to 9 kHz at the factory, but may have to be reset to 10 kHz depending on the area where the unit is used.

AM band step
 Europe: 9 kHz
 U.S.A.: 10 kHz

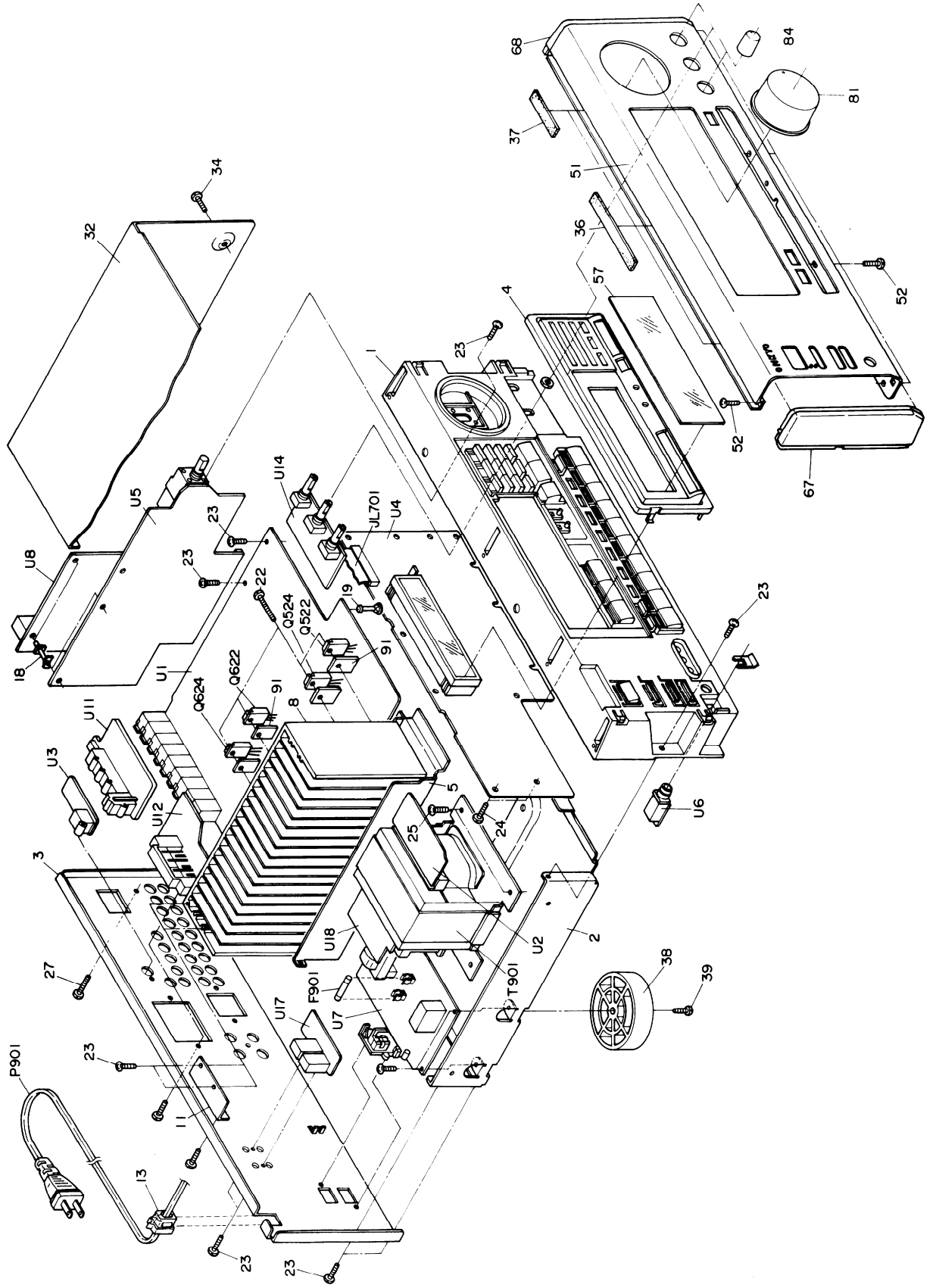


7. Changing the band step

With the exception of the worldwide models, a tuning step selector switch is not provided. When you change the band step, change the parts as shown below.

	To 10 kHz	To 9 kHz
R764	1.8 kohm	3 kohm

EXPLODED VIEW
TX-SV525

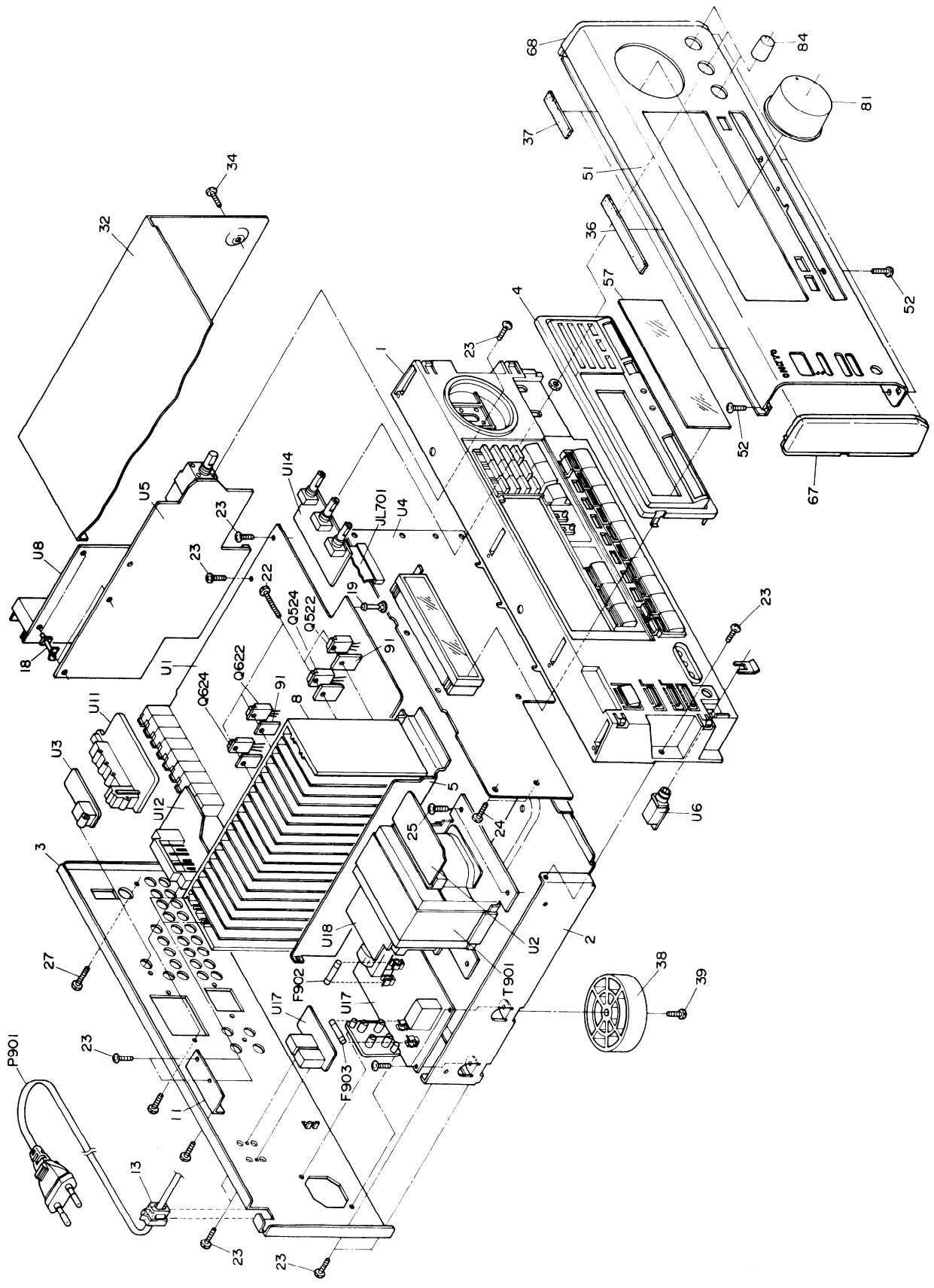


PARTS LIST

REF.NO.	PART NO.	DESCRIPTION	REF.NO.	PART NO.	DESCRIPTION
1	27110831AY	Front bracket	Q521	2201653,	2SC3856-O.
2	27100291Y	Chassis	Q522	2201654,	2SC3856-Y.
3	27121985Y	Rear panel <D>		2201655,	2SC3856-P.
4	27121987Y	Rear panel <W>		2202842 or	2SC5242-O. Transistors
5	27215253AY	Decorative frame	Q523	2202843	2SA1492-O.
6	27130743AY	Bracket H	Q524	2201664,	2SA1492-Y.
8	27262583Y	Plate T		2201665,	2SA1492-P.
9	27160348Y	Radiator		2202832 or	2SA1962-O. Transistors
11	27130742Y	Bracket C		2202833	2SD2386-R.
13	27141607AY	Retainer H	Q621	2202862,	2SD2386-O.
18	27300750	⚠ Cord bushing	Q622	2202863,	2SD2389-O.
20	27190062	⚠ KGLS-12S, Holder		2202903,	2SD2389-Y or
22	27190926	⚠ KGPS-18RF, Holder		2202904 or	2SD2389-P. Transistors
23	801433	3SMS8W.SW+14B(BC), Special screw		2202906	2SB1557-R.
24	838130088	3TTB+8B, Self-tapping screw	Q623	2202852,	2SB1557-O.
25	833430080	3TTP+8P(BC), Self-tapping screw	Q624	2202853,	2SB1559-O.
26	830440089	4TTC+8B(BC), Self-tapping screw		2202893,	2SB1559-Y or
27	834430108	3TTS+10B(BC), Self-tapping screw		2202894 or	2SB1559-P. Transistors
32	834230108	3TTS+10B(Ni), Self-tapping screw		2202896	⚠ NPT-1228D, Power transformer <D>
33	28184540Y	Top cover	T901	2301065Y	⚠ NPT-1228DG, Power transformer <W>
34	838130088	3TTB+8B, Self-tapping screw	U1	1A559521-1Y	NAAR-5121-1, Main circuit pc board ass'y <D>
36	838440089	4TTB+8C(BC), Self-tapping screw	U2	1A559522-1Y	NAAR-5121-1B, Main circuit pc board ass'y <W>
37	28140680	0.5x180x8, Cushion	U3	1A559523-1Y	NAETC-5122-1, Secondary circuit pc board ass'y
38	28141305Y	0.8x57x8, Cushion	U4	1A559524-1Y	NAETC-5123-1, Pre. output terminal pc board ass'y
39	27175300Y	Leg	U5	1A559525-1Y	NADG-5124-1, Display circuit pc board ass'y
51	838130088	3TTB+8B, Self-tapping screw	U6	1A562525-1AY	NAAF-5125-1, Master volume circuit pc board ass'y <D>
52	838130088	Front panel ass'y	U7	1A559526-1Y	NAAF-5125-1A, Master volume circuit pc board ass'y <W>
54	8910301	CS-3, CS ring	U8	1A559527-1Y	NAETC-5126-1, Headphone terminal pc board ass'y
57	28191699Y	Clear plate	U11	1A559528-1BY	NAPS-5127-1, Primary circuit pc board ass'y <D>
59	28198813Y	Facet	U12	1A559528-1BY	NAPS-5127-1B, Primary circuit pc board ass'y <W>
61	28135199Y	Badge	U14	1A559531-1Y	NARF-5128-1, Tuner circuit pc board ass'y <D>
67	28125268Y	End cap L	U17	1A559533-1Y	NARF-5128-1B, Tuner circuit pc board ass'y <W>
68	28125267Y	End cap R	U18	1A562533-1AY	NAETC-5131-1, Video circuit pc board ass'y
81	28325057	Knob, Volume		1A559534-1Y	NAETC-5133-1, Speaker terminal pc board ass'y <D>
84	28325055Y	Knob, Tone		1A559537-1Y	NAETC-5133-1A, Speaker terminal pc board ass'y <W>
91	223021	Isolation sheet		1A559537-1Y	NAAF-5134-1, Tone control circuit pc board ass'y
99	260208	Wire ties		1A559538-1Y	NAETC-5137-1, MR/RI terminal pc board ass'y <D>
F901	252166Y	⚠ 6.3A-UL/T-237, Primary fuse			NAETC-5138-1, Transformer terminal pc board ass'y
F902	252076	⚠ 3.15A-SE-EAK, Primary fuse <W>			<D>:120 V model only
JL701	2047402012Y	NCFC7-402012, Flexible flat cable			<W>:Worldwide model only
P901	253192HIT	⚠ AS-UC-6#18, Power supply cord <D>			
	253092-1A or	⚠ AS-CEE-2, Power supply cord			
	253172	<W>			

NOTE: THE COMPONENTS IDENTIFIED BY MARK ⚠ ARE CRITICAL FOR RISK OF FIRE AND ELECTRIC SHOCK. REPLACE ONLY WITH PART NUMBER SPECIFIED.

EXPLODED VIEW
TX-SV525R




PARTS LIST

REF.NO.	PART NO.	DESCRIPTION	REF.NO.	PART NO.	DESCRIPTION
1	27110831AY	Front bracket 	91	223021	Isolation sheet
2	27110832AY	Front bracket <S>	92	880009	Plastic rivet
3	27100291Y	Chassis	99	260208	Wire ties
4	27121986Y	Rear panel	F902	252076	△ 3.15A-SE-EAK, Primary fuse
5	27215256AY	Decorative frame 	F903	252075	△ 2.5A-SE-EAK, AC outlet fuse
6	27215257AY	Decorative frame <S>	JL701	2047402012Y	NCFC7-402012, Flexible flat cable
7	27130743AY	Bracket H	P901	253193HIT	△ AS-CEE, Power supply cord
8	27262583Y	Plate T 	Q521	2201653	2SC3856-O
9	27262584Y	Plate T <S>	Q522	2201654	2SC3856-Y
10	27160348Y	Radiator		2201655	2SC3856-P
11	27130742Y	Bracket C		2202842 or	2SC5242-R or
12	27141607AY	Retainer H		2202843	2SC5242-O, Transistors
13	27300750	△ Cord bushing	Q523	2201663	2SA1492-O
14	27190926	KGLS-12S, Holder	Q524	2201664	2SA1492-Y
15	27190926	KGPS-18RF, Holder		2201665	2SA1492-P
16	801433	3SMS8W.SW+14B(BC), Special screw		2202832 or	2SA1962-R or
17	838130088	3TTB+8B, Self-tapping screw		2202833	2SA1962-O, Transistors
18	833430080	3TTP+8P(BC), Self-tapping screw	Q621	2202862	2SD2386-R
19	830440089	4TTC+8B(BC), Self-tapping screw	Q622	2202863	2SD2386-O
20	834430108	3TTS+10B(BC), Self-tapping screw		2202903	2SD2389-O
21	834230108	3TTS+10B(Ni), Self-tapping screw		2202904 or	2SD2389-Y or
22	28184540Y	Top cover 		2202906	2SD2389-P, Transistors
23	28184605Y	Top cover <S>	Q623	2202852	2SB1557-R
24	838130088	3TTB+8B, Self-tapping screw	Q624	2202853	2SB1557-O
25	838440089	4TTB+8C(BC), Self-tapping screw		2202893	2SB1559-O
26	28140680	0.5×180×8, Cushion		2202894 or	2SB1559-Y or
27	28141305Y	0.8×57×8, Cushion		2202896	2SB1559-P, Transistors
28	27175300Y	Leg	T901	2301066Y	△ NPT-1228P, Power transformer
29	838130088	3TTB+8B, Self-tapping screw	U1	1A562521-1AY	NAAR-5121-1A, Main circuit pc board ass'y
30	838130088	3TTB+8B, Self-tapping screw	U2	1A559522-1Y	NAETC-5122-1, Secondary circuit pc board ass'y
31	1A561121Y	Front panel ass'y 	U3	1A559523-1Y	NAETC-5123-1, Pre-output terminal pc board ass'y
32	1A562121Y	Front panel ass'y <S>	U4	1A562524-1AY	NADG-5124-1A, Display circuit pc board ass'y
33	838130088	3TTB+8B, Self-tapping screw	U5	1A562525-1AY	NAAF-5125-1A, Master volume circuit pc board ass'y
34	8910301	CS-3, CS ring	U6	1A559526-1Y	NAETC-5126-1, Headphone terminal pc board ass'y
35	28191699Y	Clear plate	U7	1A562527-1AY	NAPS-5127-1A, Primary circuit pc board ass'y
36	28198813Y	Facet	U8	1A562528-1AY	NARF-5128-1A, Tuner circuit pc board ass'y
37	28135199Y	Badge	U11	1A559531-1Y	NAETC-5131-1, Video circuit pc board ass'y
38	28125268Y	End cap L 	U12	1A562533-1AY	NAETC-5133-1A, Speaker terminal pc board ass'y
39	28125288Y	End cap L <S>	U14	1A559534-1Y	NAAF-5134-1, Tone control circuit pc board ass'y
40	28125267Y	End cap R 	U17	1A562537-1AY	NAETC-5137-1A, MR/RI terminal pc board ass'y
41	28125287Y	End cap R <S>	U18	1A559538-1Y	NAETC-5138-1, Transformer terminal pc board ass'y
42	28325057	Knob, Volume 			
43	28325058	Knob, Volume <S>			
44	28325055Y	Knob, Tone 			
45	28325056Y	Knob, Tone <S>			

NOTE:

:Black model only

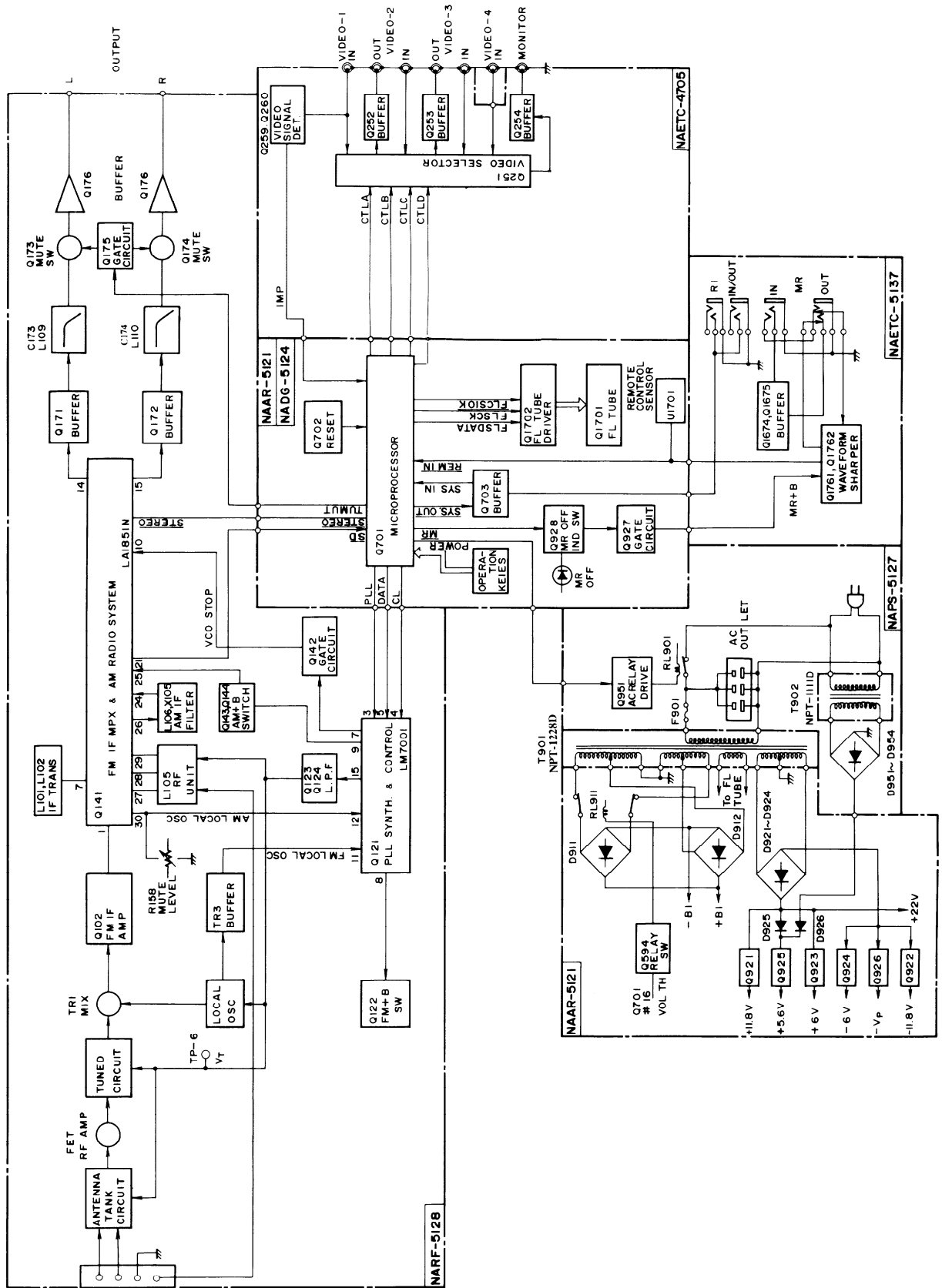
<S>:Silver model only

NOTE: THE COMPONENTS IDENTIFIED BY MARK  ARE CRITICAL FOR RISK OF FIRE AND ELECTRIC SHOCK. REPLACE ONLY WITH PART NUMBER SPECIFIED.

BLOCK DIAGRAM

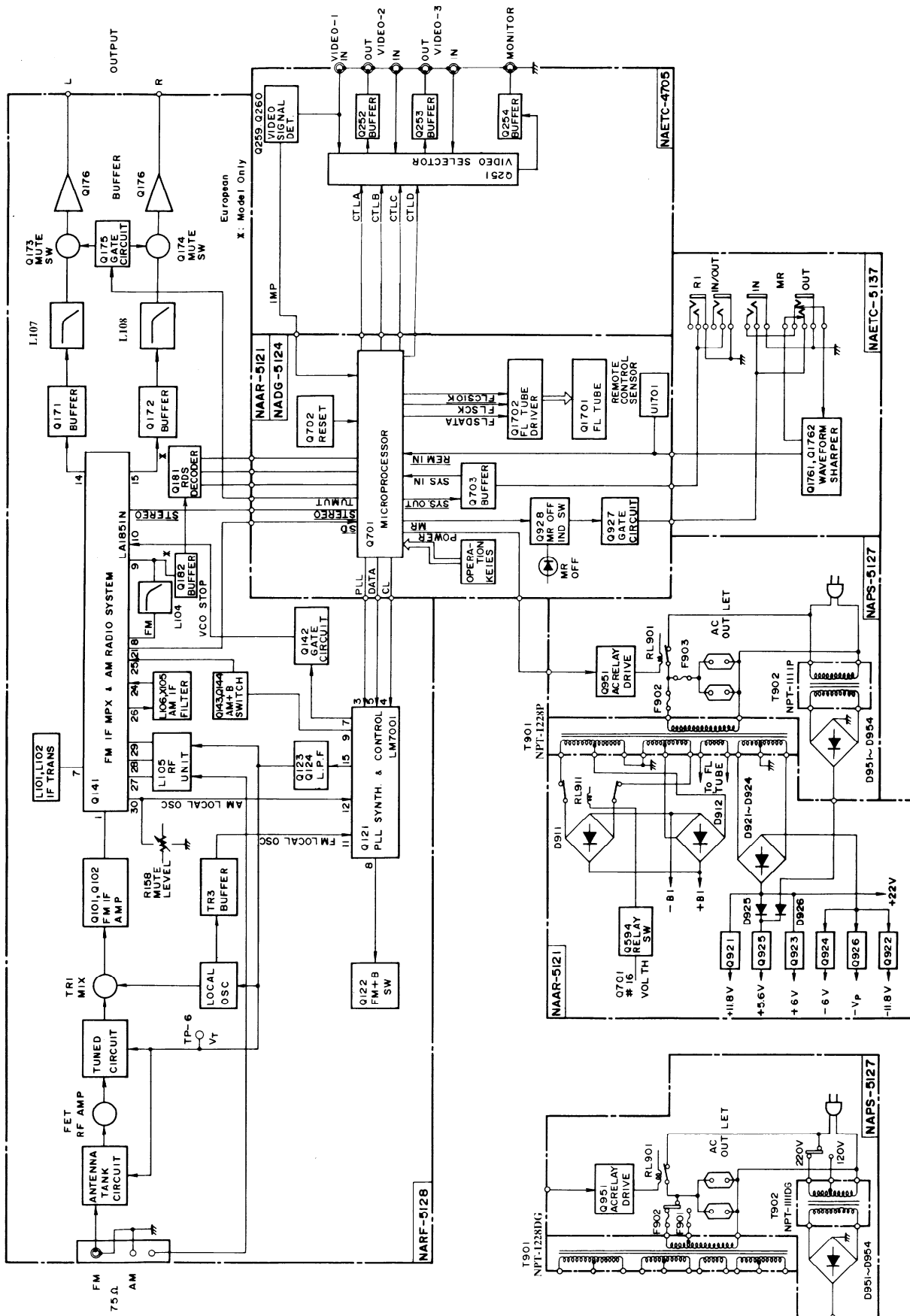
Tuner section

120V model



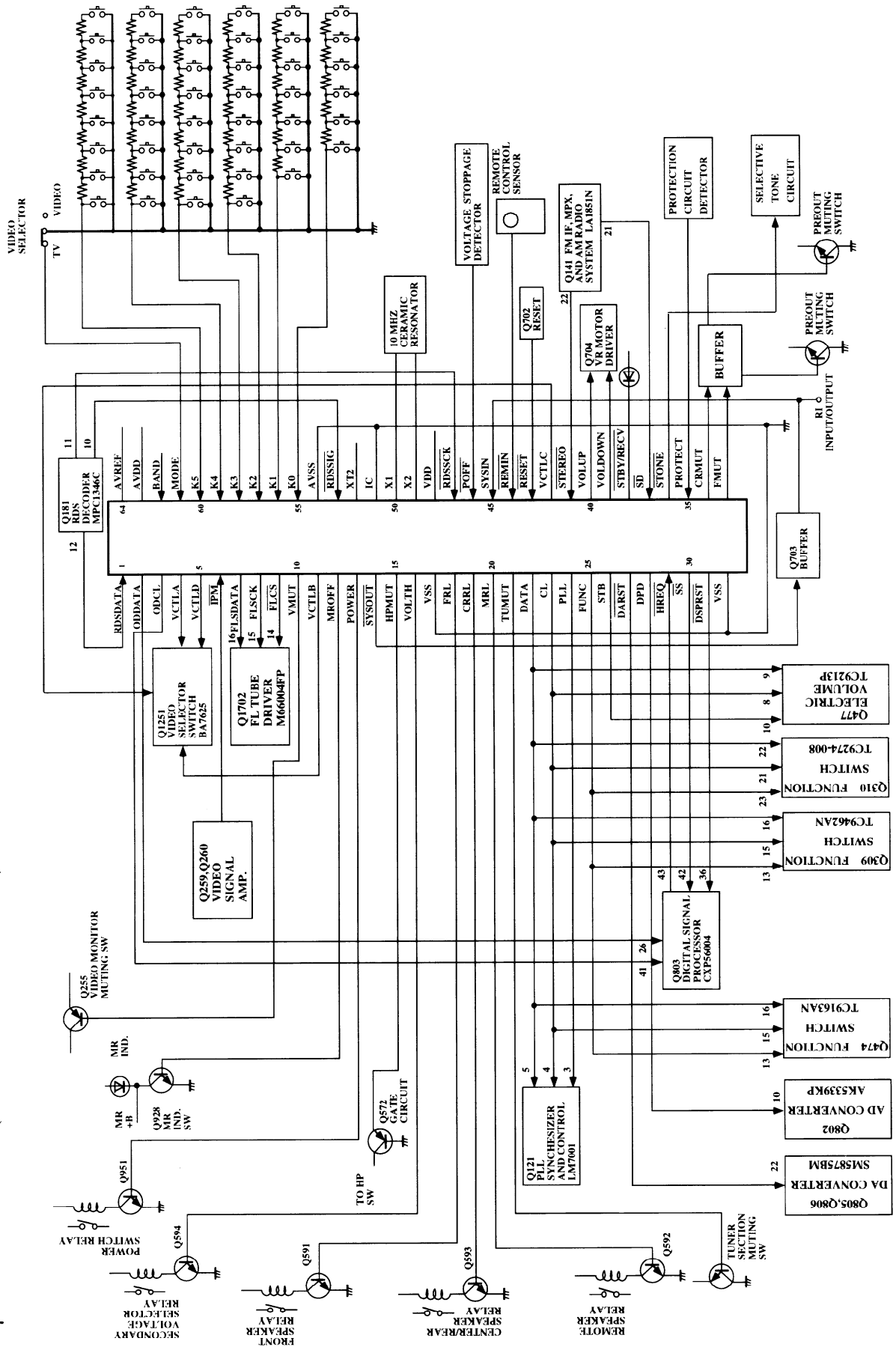
BLOCK DIAGRAM

Tuner section
Other models



MICROPROCESSOR CONNECTION DIAGRAM

μPD78016CW-021 (MICROPROCESSOR)



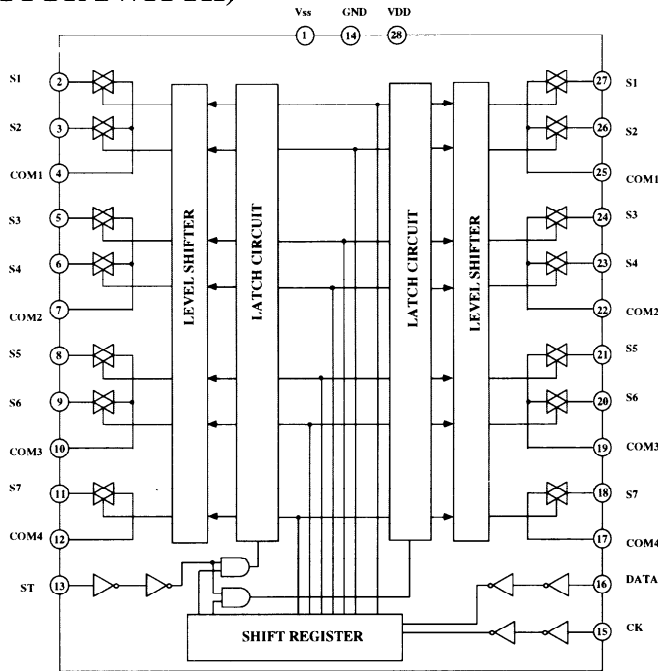
MICROPROCESSOR TERMINAL DESCRIPTIONS

Pin No.	Function	I/O	Description
1	RDSDATA	I	Data input pin from RDS decoder μ PDI346CS
2	ODDATA	O	Connect to the terminal SIN of DSP IC.
3	ODCL	O	Connect to the terminal SCK of DSP IC.
4	VCTLA	O	Video selector switch control output pin
5	VCTLD	O	Video selector switch control output pin
6	IPM	I	Detector input pin for intelligent power management
7	FLSDATA	O	Data output pin for FL tube driver M66004FP
8	FLSCK	O	Clock output pin for FL tube driver M66004FP
9	FLCS	O	Chip select output pin for FL tube driver M66004FP
10	VMUT	O	Muting control output pin for video signal
11	VCTLB	O	Video selector switch control output pin
12	MROFF	O	Multi room indicator and control output pin
13	POWER	O	Power source control output pin
14	SYSOUT	O	System code output pin
15	HPMUT	O	Muting control output pin for headphone signal
16	VOLTH	O	Secondary voltage control output pin
17	VSS		Ground pin
18	FRL	O	Relay control pin for front speaker
19	CRRU	O	Relay control pin for center and rear speakers
20	MRL	O	Relay control pin for multi source
21	TUMUT	O	Muting output pin for tuner section
22	DATA	O	Data output pin. Connect to the terminals DATA of function switch ICs, PLL, and electric volume IC.
23	CL	O	Clock output pin. Connect to the terminals CK of function switch ICs, PLL, and electric volume IC.
24	PLL	O	Chip enable output pin for PLL IC
25	FUNC	O	Connect to terminal ST of function switches and terminal STB of TC9274N.
26	STB	O	Connect to the terminal STB of electric volume.
27	DARST	O	Reset output pin for DA converter.
28	DPD	O	Control output pin for digital power down.
29	HREQ	I	Connect to the terminal HREQ of DSP IC.
30	SS	O	Connect to the terminal SS of DSP IC.
31	DSPRST	O	Reset output pin for DSP IC.
32	VSS		Ground pin
33	FMUT	O	Muting output pin for front amplifier
34	CRMUT	O	Muting output pin for center and rear amplifiers
35	PROTECT	I	Detector input pin of protection circuit. Hi:On
36	STONE	O	Selective tone circuit control output pin. L:On

Pin No.	Function	I/O	Description
37	SD	I	Detector input pin of broadcast more than muting level
38	STBY/RECV	O	Stand-by and received indicator output pin
39	VOLDOWN	O	Volume control output pin
40	VOLUP	O	Refer table 1.
41	STEREO	I	Detector input pin of FM stereo broadcast
42	VCTLC	O	Video selector switch control output pin
43	RESET	I	System reset input pin
44	REMIN	I	Remote control signal input pin
45	SYSIN	I	System code input pin
46	POFF	I	Power stoppage detector input pin
47	RDSSCK	I	Clock input pin from RDS decoder IC μ PDI346CS
48	VDD		Power supply pin (+5V)
49	X2		Resonator connection terminal for main system clock
50	X1		Connect the ceramic resonator 10MHz.
51	IC		Internal connection pin. Connect to the ground terminal.
52	XT2		Crystal connection pin for sub system clock resonator
53	RDSSIG	I	Detector input pin of RDS broadcast. L:RDS broadcast
54	AVSS		Ground pin of A/D converter
55	K0	I	Operation key connection pin
56	K1	I	Operation key connection pin
57	K2	I	Operation key connection pin
58	K3	I	Operation key connection pin
59	K4	I	Operation key connection pin
60	K5	I	Operation key connection pin
61	MODE	I	Initializing input of operation mode
62	BAND	I	Initializing input of band region and RDS function.
63	AVDO		Analogue power supply of A/D converter
64	AVREF		Reference voltage input pin of A/D converter

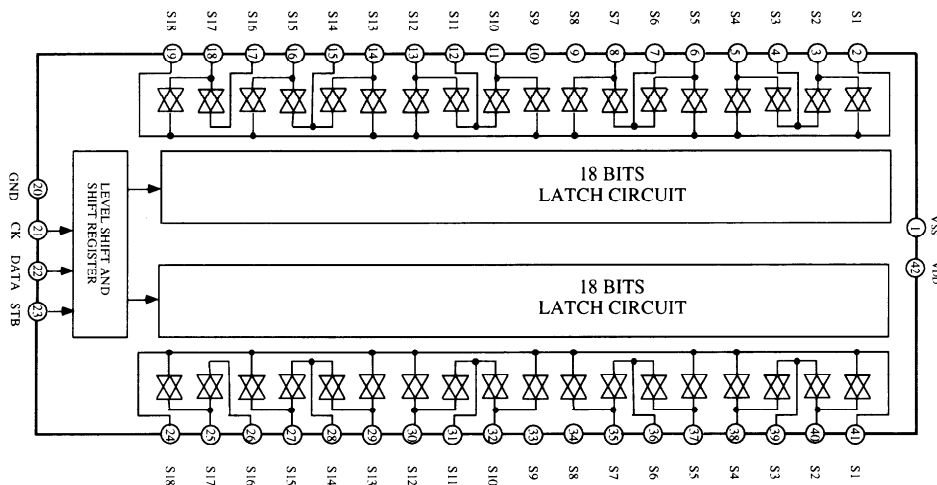
IC BLOCK DIAGRAMS AND DESCRIPTIONS

TC9162N (INPUT SELECTOR SWITCH)

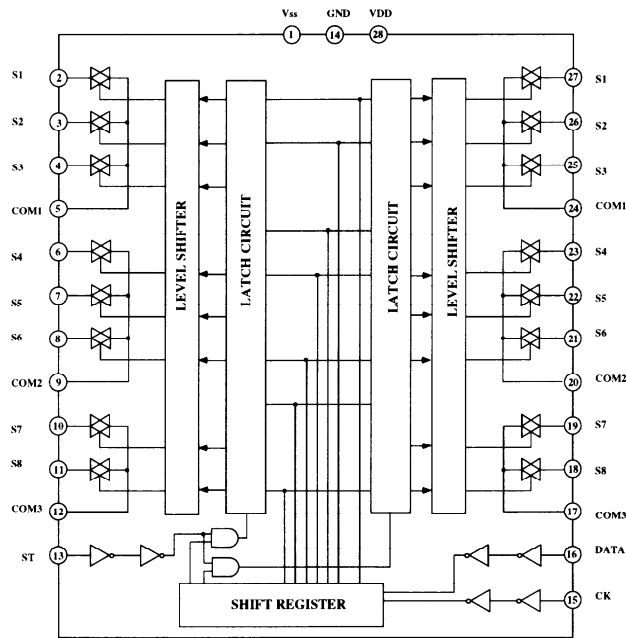


Pin No.	Symbol	Function
1	Vss	Power supply pin (-)
14	GND	Ground pin
28	VDD	Power supply pin (+)
2,3,5,6,8,9,11	S1 ~ S7	Switch input/output pins
27,26,24,23,21,20,18	S1 ~ S7	Switch input/output pins
4,7,10,12	COM1 ~ COM4	Common pins
25,22,19,17	COM1 ~ COM4	Common pins
13	ST	Strobe input pin for data interruption
15	CK	Clock input for data transfer
16	DATA	Serial data input pin for switch setting

TC9274AN-008 (ANALOG SWITCH)

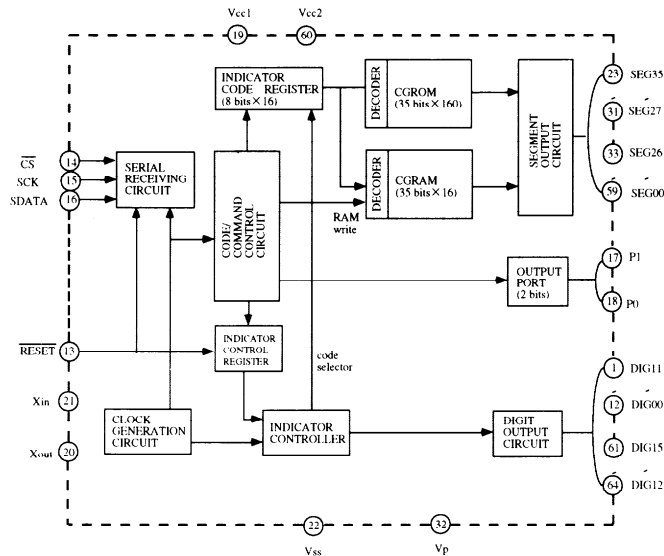


TC9163AN (ANALOG SWITCH)

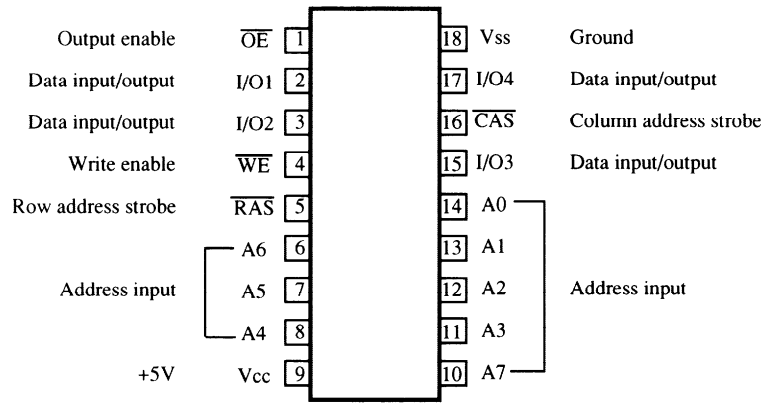


Pin No.	Symbol	Function
1	Vss	Power supply pin (-)
14	GND	Ground pin
28	VDD	Power supply pin (+)
2,3,4,6,7,8,10,11	S1 ~ S8	Switch input/output pins
27,26,25,24,22,21,19,18	S1 ~ S8	Switch input/output pins
5,9,12	COM1 ~ COM3	Common pins
24,20,17	COM1 ~ COM3	Common pins
13	ST	Strobe input pin for data interruption
15	CK	Clock input for data transfer
16	DATA	Serial data input pin for switch setting

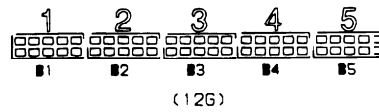
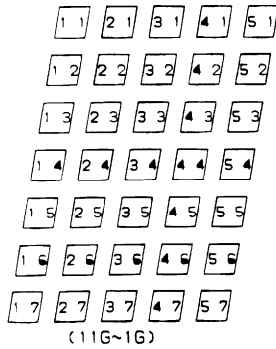
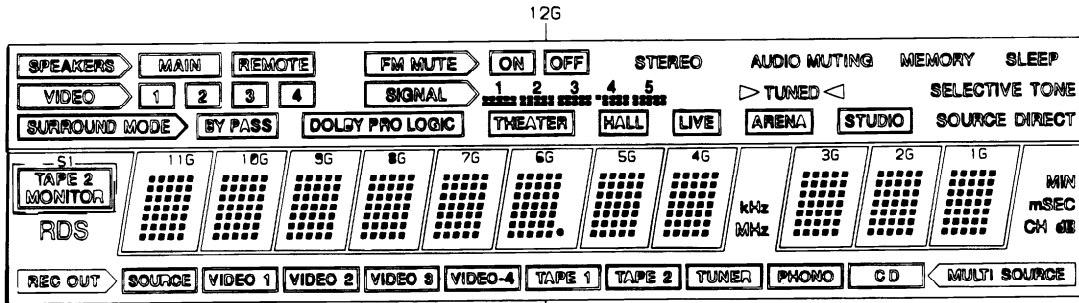
M66004FP (FL TUBE DRIVER)



LH2464-10 (DRAM)



13-BT-138GK (FL TUBE)



PIN NO.	6	6	6	6	6	5	5	5	5	5	5	5	5	5	5	4
CONNECTION	F	F	N	N	P	P	P	P	P	P	P	P	P	P	P	P
PIN NO.	4	4	4	4	4	4	4	4	4	3	3	3	3	3	3	3
CONNECTION	P	P	P	P	P	P	P	P	P	P	P	P	P	P	P	P
PIN NO.	3	3	3	2	2	2	2	2	2	2	2	2	2	1	1	1
CONNECTION	P	P	P	P	P	P	P	N	N	N	N	N	N	N	N	1
PIN NO.	1	1	1	1	1	1	1	9	8	7	6	5	4	3	2	1
CONNECTION	1	1	1	9	8	7	6	5	4	3	2	1	N	N	F	F
	G	G	G	G	G	G	G	G	G	G	G	G	P	P	1	1

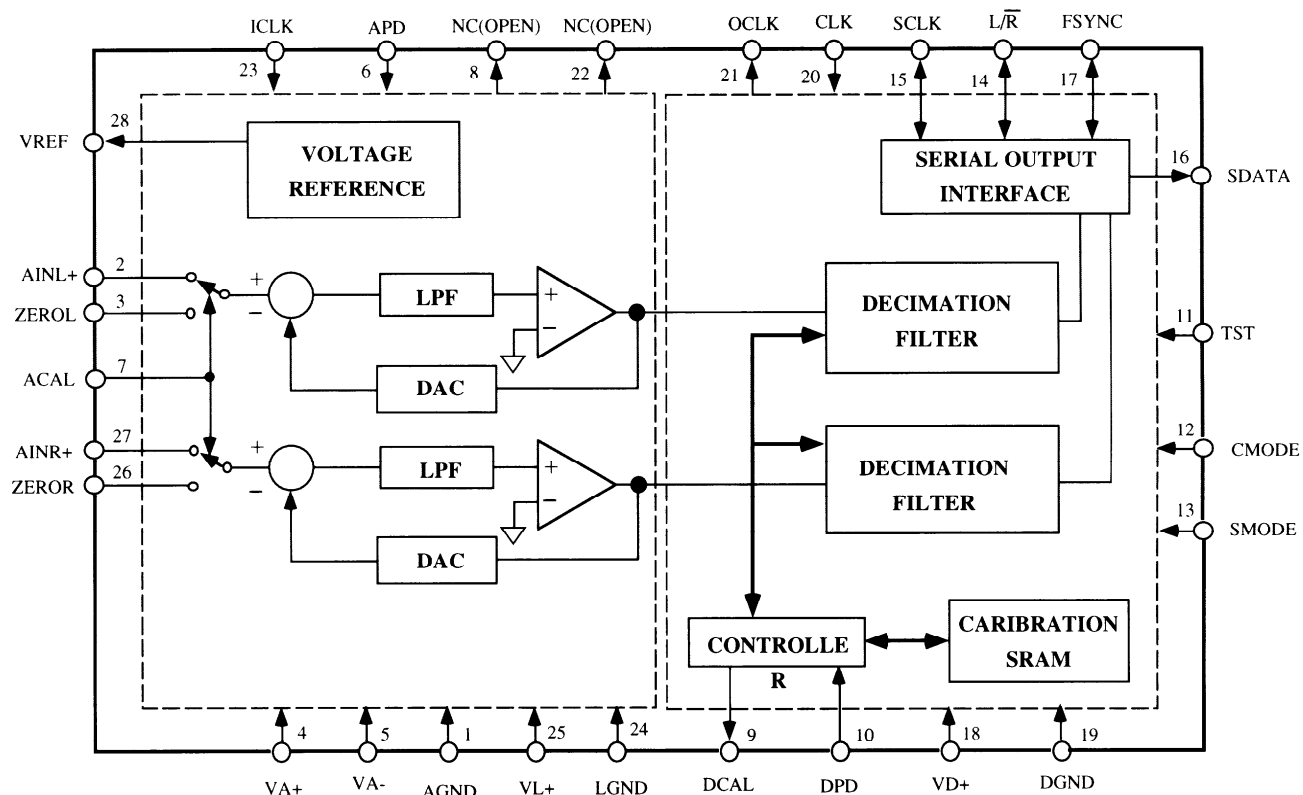
NOTE: F1,F2...Filament
 NP.....No pin
 NC....No connection
 1G~13G....Grid

XC56004FJ50 (DSP)

Pin No.	Symbol	Description
1	AGND	GND;EMI control output buffer pin
2	AMC0	This output is Chip selector 0 for SRAM accesses.
3	MA15/MCS3	Address Line 15/Chip Selector 3
4	MA14	Address output for DRAM access
5	MA13	Address output for DRAM access
6	AVCC	Vcc;EMI address/control output buffer pin
7	MA12	Address output for DRAM access
8	AGND	GND;EMI address output buffer pin
9	QVCC	Vcc;Internal Logic supply pin
10	QGND	GND;Internal Logic supply pin
11	MA11	Address output for DRAM access
12	MA10	Address output for DRAM access
13	MA9	Address output for DRAM access
14	MA8	Address output for DRAM access
15	AGND	GND;EMI address output buffer pin
16	MA7	Address output for DRAM access
17	AVCC	Vcc;EMI address/control output buffer pin
18	MA6	Address output for DRAM access
19	MA5	Address output for DRAM access
20	MA4	Address output for DRAM access
21	AGND	GND;EMI address output buffer pin
22	MA3	Address output for DRAM access
23	MA2	Address output for DRAM access
24	MA1	Address output for DRAM access
25	MA0	Address output for DRAM access
26	SCK/SCL	SPI Serial Clock/I C Serial clock
27	EXTAL	This input should be connected to an external clock source.
28	QVCC	Vcc;Internal Logic supply pin
29	QGND	GND;Internal Logic supply pin
30	PINIT	PLL Initialization pin
31	PGND	GND;PLL supply pin
32	PCAP	Off-chip capacitor connection pin for PLL filter
33	PVCC	Vcc;PLL supply pin
34	SGND	GND;SAI,SHI & ONCE output buffer supply pin
35	MISO/SDA	SPI Master-In-Slave-Out/I C Data and Acknowledge
36	RESET	This input is a direct hardware reset of the processor.
37	MODA/IRQA	Mode Select A/External Interrupt Request A/STOP Recovery
38	MODB/IRQB	Mode Select B/External Interrupt Request B
39	MODC/NMI	Mode Select C/Non-Maskable Interrupt Request
40	SVCC	Vcc;SAI,SHI & ONCE output buffer supply pin

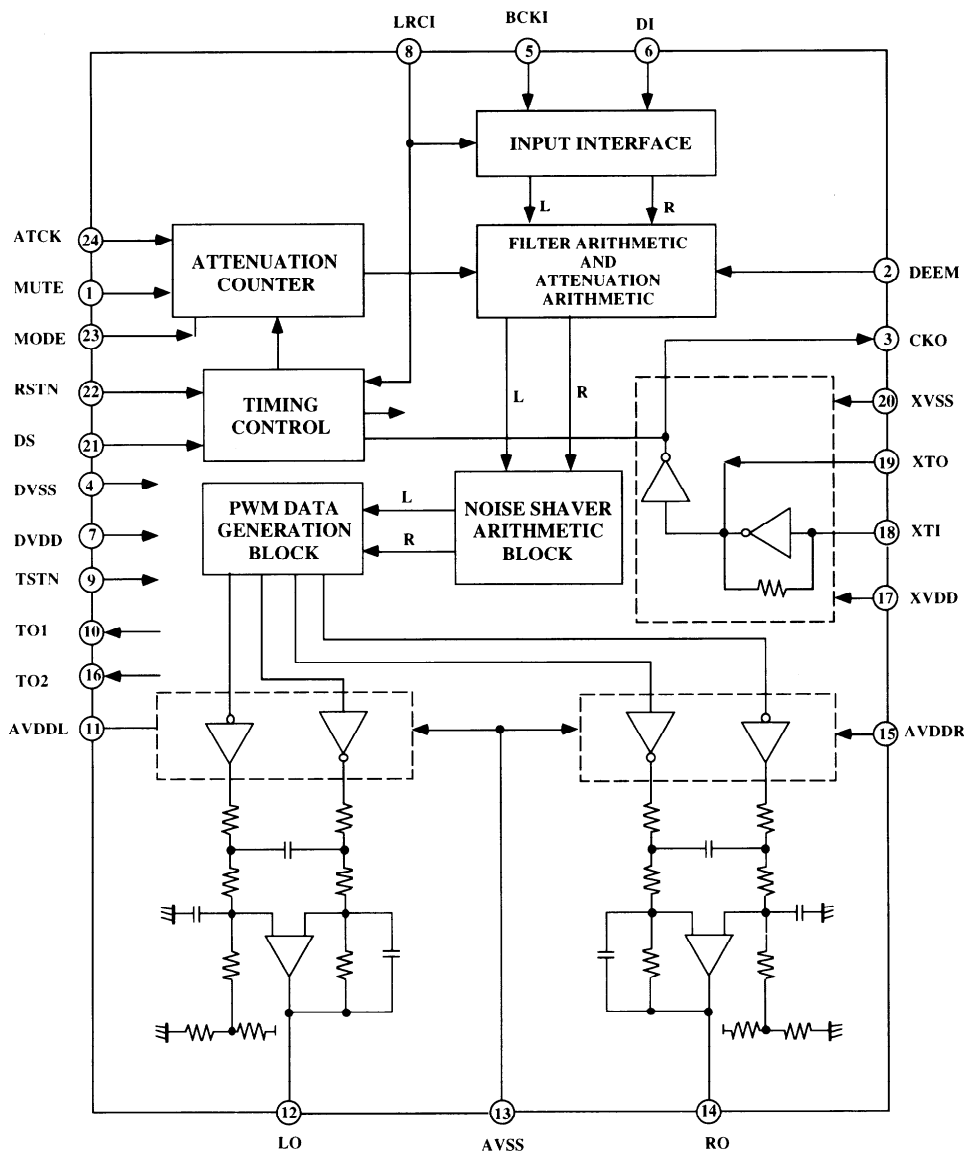
Pin No.	Symbol	Description
41	MOSI/HA0	SPI Master-Out-Slave-In/I C Slave Address 0
42	SS/HA2	SPI Slave Selector/I C Slave Address 2
43	HREQ	Host Request
44	SGND	GND;SAI,SHI & ONCE output buffer supply pin
45	SDO2	Serial Data Output 2
46	SDO1	Serial Data Output 1
47	SDO0	Serial Data Output 0
48	SVCC	Vcc;SAI,SHI & ONCE output buffer supply pin
49	SCKT	Transmit Serial Clock
50	WST	Transmit Word Select
51	SCKR	Receive Serial Clock
52	QGND	GND;Internal Logic supply pin
53	QVCC	Vcc;Internal Logic supply pin
54	SGND	GND;SAI,SHI & ONCE output buffer supply pin
55	WSR	Receive Word Select
56	SDI1	Serial Data Input 1
57	SDI0	Serial Data Input 0
58	DSO	Debug Serial Output
59	DSI/OSO	Debug Serial Input/Chip Status 0
60	DSCK/OS1	Debug Serial Clock/Chip Status 1
61	DR	Debug Request Input
62	MD7	Data Bus input/output pin
63	MD6	Data Bus input/output pin
64	MD5	Data Bus input/output pin
65	MD4	Data Bus input/output pin
66	DGND	GND;EMI data bus & GPIO output buffer pin
67	MD3	Data Bus input/output pin
68	MD2	Data Bus input/output pin
69	MD1	Data Bus input/output pin
70	DVCC	Vcc;EMI data bus & GPIO output buffer pin
71	MDO	Data Bus input/output pin
72	DGND	GND;EMI data bus & GPIO output buffer pin
73	GPIO3	General Purpose Input/Output 3
74	GPIO2	General Purpose Input/Output 2
75	GPIO1	General Purpose Input/Output 1
76	GPIO0	General Purpose Input/Output 0
77	MRD	Data Read Strobe
78	MWR	Data Write Strobe
79	MA17/MCS1/MRAS	Address Line 17/Chip selector 1/Row Address Strobe
80	MA16/MCS2/MCAS	Address Line 16/Chip selector 2/Column Address Strobe

CS5339-KP/AK5339-VP (AD CONVERTER)



Pin No.	Mark	I/O	Function	Pin No.	Mark	I/O	Function
1	AGND		Analogue ground	14	L/R	I/O	Input channel select
2	AINL+	I	Analogue input for the left channel	15	SCLK	I/O	Serial data clock pin
3	ZEROL	I	Zero level input for the left channel	16	SDATA	O	Serial data output pin
4	VA+		Analogue positive power supply (5V)	17	FSYNC	I/O	Frame synchronization clock pin
5	VA-		Analogue negative power supply (-5V)	18	VD+		Power supply pin for the digital section (5V)
6	APD	I	Power down pin for the analog section. Power down mode when is the low level	19	DGND		Ground pin for the digital section
7	ACAL	I	Analogue calibration pin. Connect to terminal DCAL. H:Zero input level L:Analogue input	20	CLK	I	Master clock input pin
8	NC			21	OCLK	O	128 fs clock output pin
9	DCAL	O	Digital calibration pin	22	NC		
10	DPD	I	Power down pin for the digital section	23	ICLK	I	128 fs clock input pin
11	TST	I	Test pin	24	LGND		Logic ground pin for the analogue section
12	CMODE	I	Master clock select. L:CLK=256fs H:CLK=384fs	25	VL+		Logic power supply for the analog section (5V)
13	SMODE	I	Interface clock select	26	ZEROR	I	Zero level input pin for the right channel
				27	AINR+	I	Analogue input pin for the right channel
				28	VREF	O	Reference voltage output pin (-3.86V)

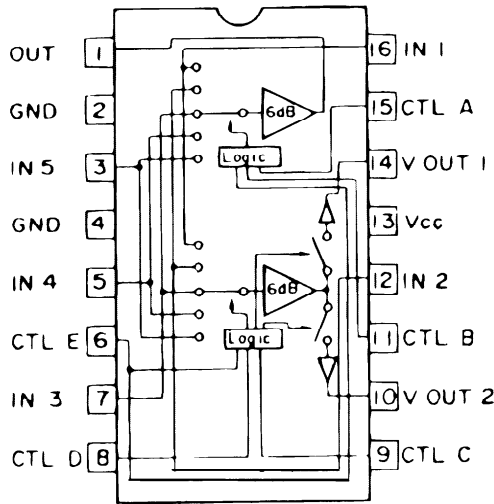
SM5875BM (DA CONVERTER)



Pin No.	Symbol	I/O	Description
1	MUTE	Ip	MODE=H:Muting control pin
			MODE=L:Attenuator level control pin
2	DEEM	Ip	De-emphasis control pin. On at high level.
3	CKO	O	Clock output pin: 16.9344MHz
4	DVSS	-	Digital supply pin
5	BCKI	Ip	Bit clock input pin
6	DI	Ip	Serial data input pin
7	DVDD	-	Digital supply pin
8	LRCI	Ip	Sampling rate clock input pin
9	TSTN	Ip	Test input pin
10	TO1	O	Test output pin
11	AVDDL	-	Analogue supply pin for left channel
12	LO	O	Analogue signal output pin for left channel

Pin No.	Symbol	I/O	Description
13	AVSS	-	Analogue supply pin
14	RO	O	Analogue signal output pin for right channel
15	AVDDR	-	Analogue supply pin for right channel
16	TO2	O	Test output terminal
17	XVDD	-	Supply pin for resonator system
18	XTI	I	Crystal connection or external clock input pin
19	XTO	O	Crystal connection pin
20	XVSS	-	Supply pin for resonator system
21	DS	Ip	Playback speed select pin. Double speed at H
22	RSTN	Ip	Reset pin
23	MODE	Ip	Muting/Attenuator mode select pin
24	ATCK	Ip	Attenuator level setting clock

BA7625 (VIDEO SELECTOR SWITCH)



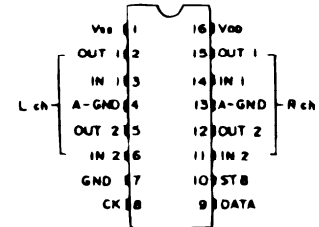
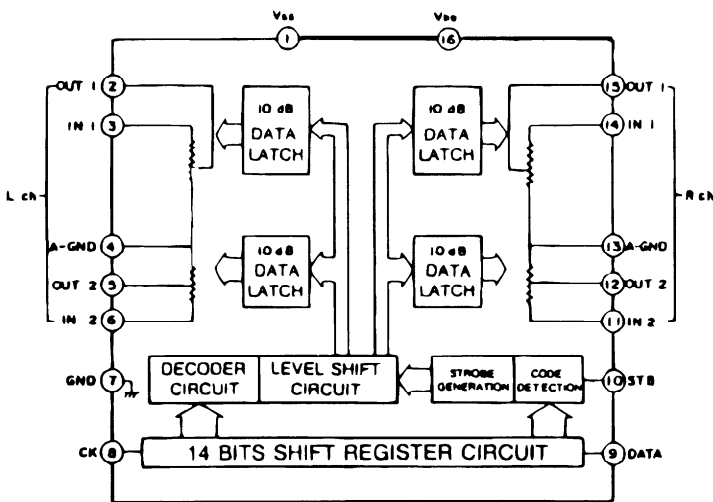
#15	#11	#6	#1
A	B	E	MONITOR OUT
L	L	X	IN1
H	L	X	IN2
L	H	X	IN3
H	H	L	IN4
H	H	H	IN5

#9	#8	#6	#14
C	D	E	VOUT 1
L	L	X	
H	L	X	IN2
L	H	X	IN3
H	H	L	IN4
H	H	H	IN5

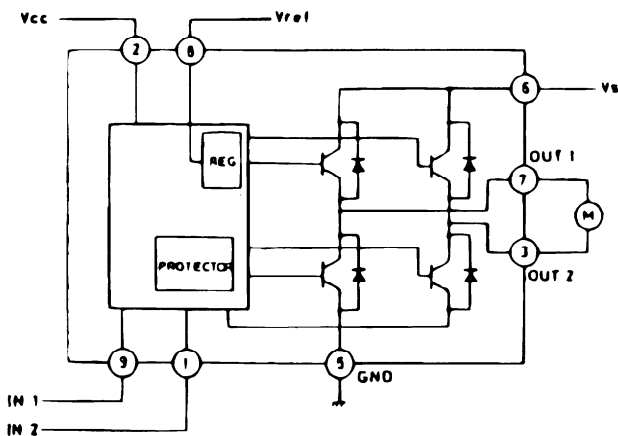
X: Don't care

#15	#11	#6	#10
A	B	E	VOUT 2
L	L	X	IN1
H	L	X	
L	H	X	IN3
H	H	L	IN4
H	H	H	IN5

TC9213P (ELECTO VOLUME)



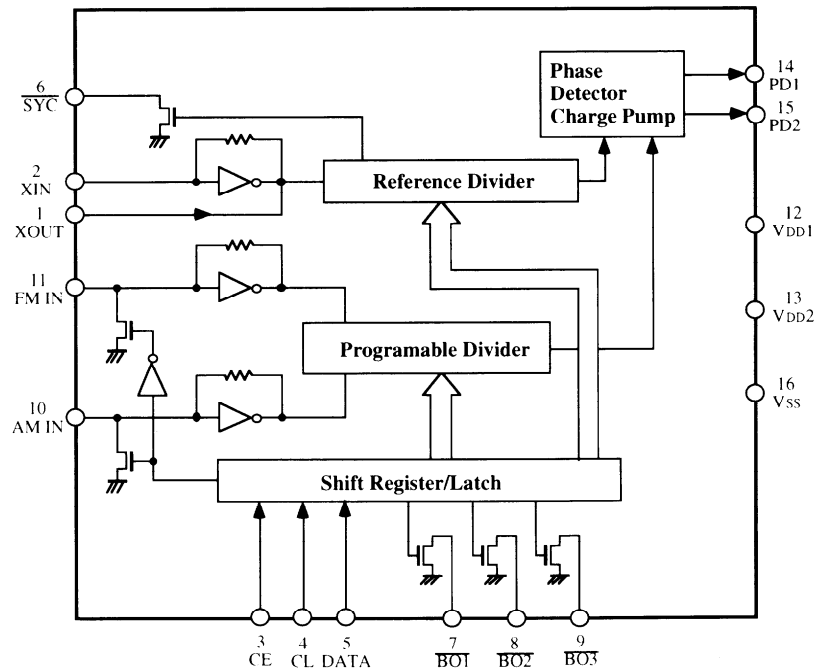
TA7291 (VOLUME MOTOR DRIVER)



INPUT		OUTPUT		MODE
IN 1	IN 2	OUT 1	OUT 2	
0	0	∞	∞	STOP
1	0	H	L	CW/CCW
0	1	L	H	CCW/CW
1	1	L	L	BRAKE

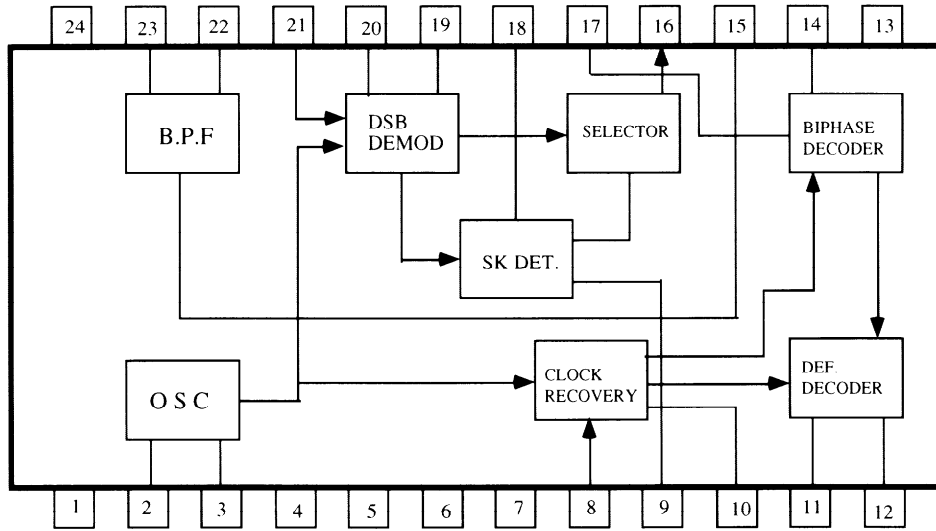
CCW: Counter clockwise direction
 CW: Clockwise direction

LM7001 (PLL Synthesizer and Controller)



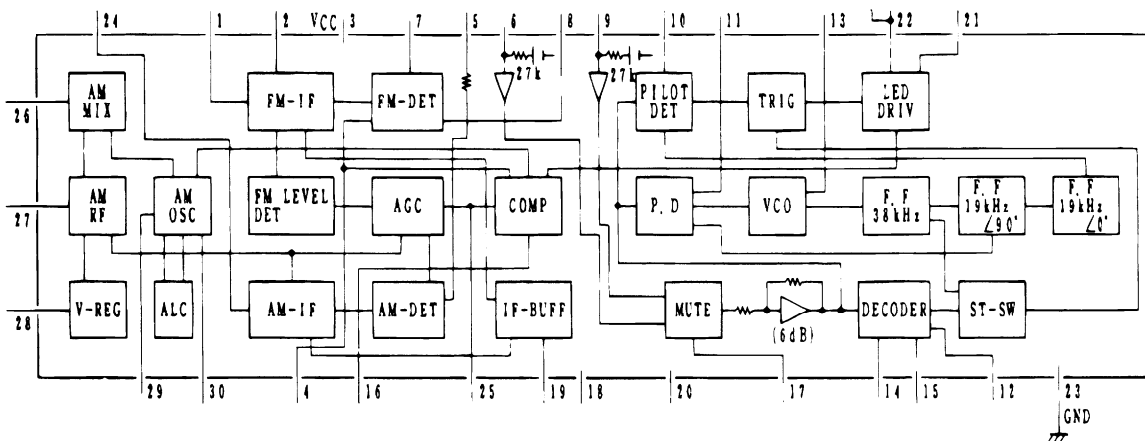
Pin No.	Terminal	Description
1	XOUT	Connect the 7.2MHz crystal resonator.
2	XIN	
3	CE	Chip enable terminal. Connect to the terminal PLLCE1 of microprocessor.
4	CL	Serial clock input terminal. Connect to the terminal PLLCL of microprocessor.
5	DATA	Serial data input terminal. Connect to the terminal PLLDATA of microprocessor.
6	$\overline{\text{SYN}}$	Not used.
7	$\overline{\text{SAT/CANLE}}$	Power source control terminal for DSR. Cable at the high level and Satellite at low.
8	LPF	LPF selector output.
9	ANT	Antenna selector output. A at high level and B at low level.
10	AMIN	AM local oscillator input terminal.
11	FMIN	FM local oscillator input terminal.
12	VDD1	Power source terminal for back-up.
13	VDD2	Power source terminal.
14	PD1	Phase comparator output
15	PD2	Phase comparator output
16	VSS	Ground terminal

μPC1346CS (RDS DECODER)



No.	Terminal	Description	No.	Terminal	Description
1	Vcc	Supply voltage for the digital circuit	13	GND	Ground for the analog circuit
2	OSC IN	Resonator input	14	INTEG	Integrating filter terminal
3	OSC OUT	Resonator output	15	BPF ADJ	Adjustment fc of band pass filter
4	GND	Ground for the digital circuit	16	PSK OUT	Biphase signal output
5	TEST1	Test input	17	PSK IN	Biphase decoder input
6	TEST2	Test input	18	LPF SK	Low pass filter for the detection SK
7	OP.CTL	Control input of the operation stop	19	LPF Q	Low pass filter for the crossed detector
8	S/L CTL	Mode control input of the synchronizing detection	20	LPF I	Low pass filter for the synchronizing detector
9	SK OUT	SK detection output	21	DSB IN	DSB demodulator circuit input
10	RDS OUT	RDS synchronizing detection output	22	BPF OUT	Band pass filter output
11	CLOCK OUT	Bit rate clock output	23	BPF IN	Band pass filter input
12	DATA OUT	RDS data output	24	Vcc	Supply voltage for analog circuit

LA1851N (FM IF, MPX AND AM RADIO SYSTEM)



ADJUSTMENT PROCEDURES

Preparation

1. Input

FM mono: 1kHz, 75kHz devi., 60dB/ μ V

FM stereo: 1kHz, 67.5kHz devi., 60dB/ μ V

Pilot signal 19kHz 7.5kHz devi.

AM: 400Hz, 30% mod.

2. Outputs

Connect the non-inductive type resistor of 8 ohms to the all speaker terminals unless otherwise noted.

1.FM ADJUSTMENT

Item	Step	Connection of instrument	FM SG output	Stereo modulator output	Tuning frequency	Output indicator	Adjustment point	Adjust for	Remarks
FM IF/RF	1	Fig.1	99.0MHz 1kHz 75kHz devi. 65dBf(60dB)	—	99.0MHz	DC voltmeter	L101	$0 \pm 20\text{mV}$	FM MUTE/MODE switch:OFF/MONO Repeat the steps 1 and 3 until no further adjustment is necessary.
	AC voltmeter					IFT on the front end	Maximum		
	Distortion analyzer					L102	Minimum		
Stereo Distortion		Fig.2	99.0MHz Ext. mod.65dBf(60dB)	Channel L or R 1kHz	99.0MHz	Distortion analyzer	IFT on the front end	Minimum	Don't turn more than $\pm 180^\circ$
Stereo Separation	1	Fig.2	99.0MHz Ext. mod. 65dBf(60dB)	Channel L 1kHz	99.0MHz	Channel R AC voltmeter	R150	Minimum	Maximum and same separation
	2			Channel R 1kHz		Channel L AC voltmeter		Minimum	
Muting Level		Fig.2	99.0MHz 19.2dBf(14dB)	—	99.0MHz	Oscilloscope	R158	Signal output	
RDS		Fig.3	99.0MHz Ext. mod.60dB	RDS data or 57kHz 3% devi.	99.0MHz	Oscilloscope	R191	Maximum	TX-SV525R only

2.AM ADJUSTMENT

120V model

Step	AM SG output	Tuning Frequency	Output Indicator	Adjustment point	Adjust for
1		530kHz	Digital DC voltmeter	OSC coil on RF block L151	$1.4 \pm 0.2\text{V}$
2	600kHz 400Hz 30% mod. 60dB/m	600kHz	AC voltmeter	RF coil on RF block L151	Maximum
3	990kHz 400Hz 30% mod. 60dB/m	990kHz	AC voltmeter	L152	Maximum

Reference Specification

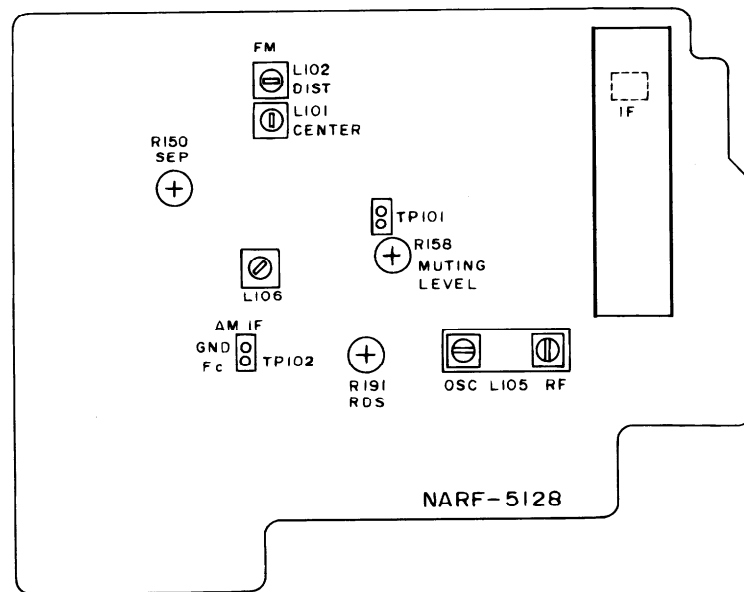
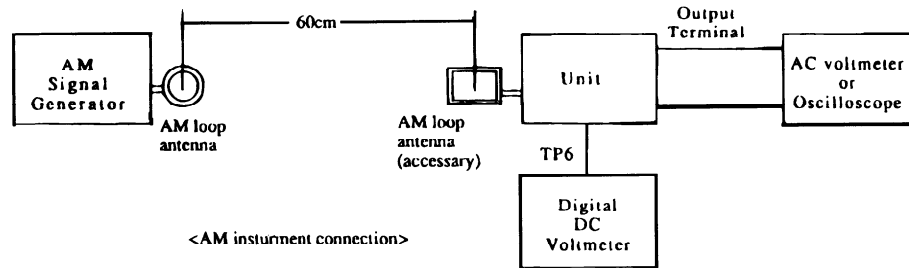
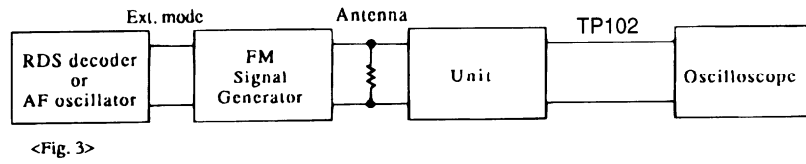
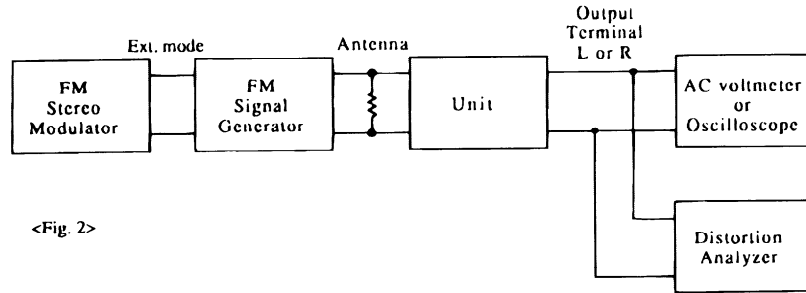
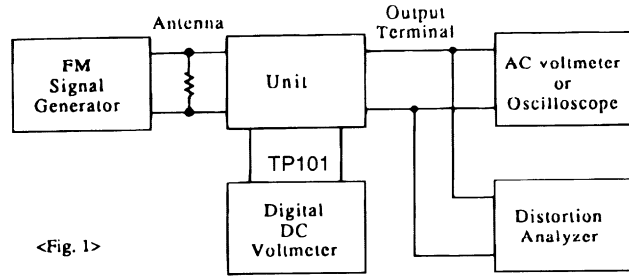
FM tuned voltage:87.5MHz ~ 108.0MHz
More than 1.3V ~ Less than 10V
AM tuned voltage:530kHz ~ 1710kHz
 $1.4 \pm 0.2\text{V}$ ~ Less than 9.0V

230V and Worldwide models

Step	AM SG output	Tuning Frequency	Output Indicator	Adjustment point	Adjust for
1		522kHz or 531kHz	Digital DC voltmeter	OSC coil on RF block L151	$1.3 \pm 0.1\text{V}$
2	603kHz 400Hz 30% mod. 60dB/m	603kHz	AC voltmeter	RF coil on RF block L151	Maximum
3	999kHz 400Hz 30% mod. 60dB/m	999kHz	AC voltmeter	L152	Maximum

Reference Specification

FM tuned voltage:87.5MHz ~ 108.0MHz
More than 1.3V ~ Less than 10V
AM tuned voltage:522kHz ~ 1611kHz
 $1.3 \pm 0.2\text{V}$ ~ Less than 9.0V (230V model)
AM tuned voltage:531kHz ~ 1602kHz
 $1.3\text{V} \pm 0.2$ ~ Less than 9.0V (Worldwide model)



Adjustment point

PRINTED CIRCUIT BOARD-PARTS LIST

NOTE: <D>:120 V model only
<P>:230 V model only
<W>:Worldwide model only

MAIN CIRCUIT PC BOARD (NAAR-5121-1/1A/1B)

CIRCUIT NO.	PART NO.	DESCRIPTION	CIRCUIT NO.	PART NO.	DESCRIPTION
	ICs			Diodes	
Q301	22240191	NJM4565D-D	D503,D504	22380012F	HER303F
Q302-Q307	22240293 or 22240247	NJM4558L-D or BA15218N	D505,D506	223205	1SS270A
Q309	22240798	TC9162AN	D571-D574	223163 or	1SS133 or
Q310	22240829	TC9274N-008	D591-D594	223222	WG713A
Q571	22240752	NJM4556L	D603,D604	22380012F	HER303F
Q701	22240907	μ PD78016FCW-034	D605,D606	223205	1SS270A
Q704	22240239	TA7291S	D701-D705	223163 or	1SS133 or
Q921	222780125NEC	78M12HF	D930,D931	223222	WG713A
Q922	222790125	79M12HF	D706	224450562	MTZ5.6B
Q923	222780065JRC	78M06HF	D911,D912	22380038	RBV602
Q924	222790065JRC	79M06HF	D921-D928	22380046 or	AM01Z or
Q925	222780565JRC	78M56	D934	22380035	GP104003E
	Transistors		D929	224453604	MTZ36D
Q515,Q516	2213284 or	2SC1740S-R or	D932	224450623	MTZ6.2C
Q591-Q594	2212115	2SC2458-GR	D933	223205	1SS270A
Q517,Q518	2203010	2SC5171		223163 or	1SS133 or
Q519,Q520	2203000	2SA1930		223222	WG713A
Q521,Q522	2201653, 2201654, 2201655, 2202842 or 2202843	* 2SC3856-O, * 2SC3856-Y, * 2SC3856-P, * 2SC5242-R or * 2SC5242-O	L501,L502	231176S	S-1.3C
Q523,Q524	2201663, 2201664, 2201665, 2202832 or 2202833	* 2SA1492-O, * 2SA1492-Y, * 2SA1492-P, * 2SA1962-R or * 2SA1962-O	L601,L602	231176S	S-1.3C
Q525,Q526	2214984 or	2SC2631-R or	L701	233454K220	NCH-1452 220K
Q625,Q626	2214985	2SC2631-S		Coils	
Q527,Q528	2214974 or	2SA1123-R or	X701	3010239Y	Resonator
Q627,Q628	2214975	2SA1123-S		Capacitors	
Q572,Q703	2213510 or 2214350	DTA114ES or RN2202	C303,C304	354741009	10 μF, 16V,Elect.
Q573-Q576	2213631 or 2213632	RN1241-A or RN1241-B	C307,C308	354721019	100 μF,6.3V,Elect.
Q615,Q616	2213284 or 2212115	2SC1740S-R or 2SC2458-GR	C309,C310	374726224	6200pF5%,50V,Plastic
Q621,Q622	2202862, 2202863, 2202903, 2202904 or 2202906	* 2SD2386-R, * 2SD2386-O, * 2SD2389-O, * 2SD2389-Y or * 2SD2389-P	C311,C312	374721824	1800pF±5%,50V,Plastic
Q623,Q624	2202852, 2202853, 2202893, 2202894 or 2202896	* 2SB1557-R, * 2SB1557-O, * 2SB1559-O, * 2SB1559-Y or * 2SB1559-P	C313,C314	354741009	10μ F,16V,Elect.
Q671,Q672	2211732 or 2211733	2SC1845-F or 2SC1845-E	C315,C316	354744709	47μ F,16V,Elect.
Q673	2211792 or 2211793	2SA992-F or 2SA992-E	C523,C524	354741019	100μ F,16V,Elect.
Q702	221282 or 2213560	DTC144ES or RN1204	C525,C526	374721044	0.1μ F±5%,50V,Plastic
Q926	2211455	2SA1015-GR	C531,C532	354764709	47μ F,35V,Elect.
Q927	2211255	2SC1815-GR	C533,C534	374724734	0.047μ F±5%,50V,Plastic
Q928	2213640 or 2214660	DTC123JS or RN1205	C537,C538	354741019	100μ F,16V,Elect.
			C571-C573	354741009	10μ F,16V,Elect.
			C623,C624	354741019	100μ F,16V,Elect.
			C633,C634	374724734	0.047μ F±5%,50V,Plastic
			C637,C638	354741019	100μ F,16V,Elect.
			C671	354722219	220μ F,6.3V,Elect.
			C701	3000076 or 3000078	EECS5R5T104 or DX-5R5L104,Super
			C702,C704	354721019	100μ F,6.3V,Elect.
			C703	375524744	0.47μ F±5%,50V,Plastic
			C705,C709	354741009	10μ F,16V,Elect.
			C710	354721019	100μ F,6.3V,Elect.
			C915,C916	3504258	12000μ F,63V,Elect.
			C923	354754729	4700μ F,25V,Elect.
			C924	354761029	1000μ F,35V,Elect.
			C927,C928	354741009	10μ F,16V,Elect.
			C931,C932	354741009	10μ F,16V,Elect.
			C933	354751029	1000μ F,25V,Elect.
			C935	354741009	10μ F,16V,Elect.
			C936	354762219	220μ F,35V,Elect.
			C937	354782219	220μ F,50V,Elect.
			C940	354754719	470μ F,25V,Elect.
			C944	354761019	100μ F,35V,Elect.

CAUTION: Replacement of the transistor of mark *, if necessary, must be made from the same beta group (Hzx) as the original type.

NOTE: THE COMPONENTS IDENTIFIED BY MARK Δ ARE CRITICAL FOR RISK OF FIRE AND ELECTRIC SHOCK. REPLACE ONLY WITH PART NUMBER SPECIFIED.

CIRCUIT NO.	PART NO.	DESCRIPTION
	Resistors	
R541,R542	443521014	100 Ohm \pm 5%, 1/2W, Metal oxide
R543,R544	4000132	RGC55 0.22OHMK, Metal plate
R549-R552	453630474	4.7 Ohm \pm 5%, 1W, Metal
R553,R554	443523924	3.9 kohm \pm 5%, 1/2W, Metal oxide
R559,R560	453530824	8.2 Ohm \pm 5%, 1/2W, Metal
R567,R568	453530104	1 Ohm \pm 5%, 1/2W, Metal
R569,R570	443521014	100 Ohm \pm 5%, 1/2W, Metal oxide
R643,R644	4000132	RGC55 0.22OHMK, Metal plate
R649,R650	453630824	8.2 Ohm \pm 5%, 1W, Metal
R653,R654	443523324	3.3 kohm \pm 5%, 1/2W, Metal oxide
R659,R660	453530824	8.2 Ohm \pm 5%, 1/2W, Metal
R923	453530104	1 Ohm \pm 5%, 1/2W, Metal
R924	453530824	8.2 Ohm \pm 5%, 1/2W, Metal
R925,R926	443621204	12 Ohm \pm 5%, 1W, Metal oxide
R927	453530824	8.2 Ohm \pm 5%, 1/2W, Metal
R928	443621804	18 Ohm \pm 5%, 1W, Metal oxide
R929,R930	443621214	120 Ohm \pm 5%, 1W, Metal oxide
R931	443522204	22 Ohm \pm 5%, 1/2W, Metal oxide
R934	443523314	330 Ohm \pm 5%, 1/2W, Metal oxide
R935	443522204	22 Ohm \pm 5%, 1/2W, Metal oxide
R938	453530104	1 Ohm \pm 5%, 1/2W, Metal
	Relaies	
RL501-RL503	25065485	NRL-2P2A-DC24-086
RL911	25065339	NRL-2P5A-DC24-046
	Plugs	
P201a	25055652	NPLG-14P608 <D/W>
	25055653	NPLG-16P609 <P>
P535,P536	25055038	NPLG-2P29
P601a	25055651	NPLG-12P607
P602a	25055654	NPLG-18P610
P603a	25055652	Δ NPLG-14P608
P635,P636	25055038	NPLG-2P29
	Terminals	
P301-P303	25045300	NPJ-6PDBL159
P304	25045303	NPJ-4PDBL162
P501	25060211	NTM-4PDMN133, Speaker
P502	25060212Y or 25060230Y	NTM-4PDML134 or NTM-4PDML152
	Wire clamper	
P921	260224	CP-1S
	Wire holders	
JL251a	25051096	NSCT-12P883
JL501a	25051108	NSCT-4P895
JL502a	25051088	NSCT-4P875
JL702a	25051091	NSCT-7P878
JL911a	25051113	NSCT-9P900
JL921a	25051109	NSCT-5P896
	Wire traps	
JL401b	25055630	NPLG-9P592
JL701a	25050980	NSCT-40P767
	Radiators	
Q921a	27160209	RAD-67
Q923a	27160211	RAD-68

SECONDARY CIRCUIT PC BOARD (NAETC-5122-1)

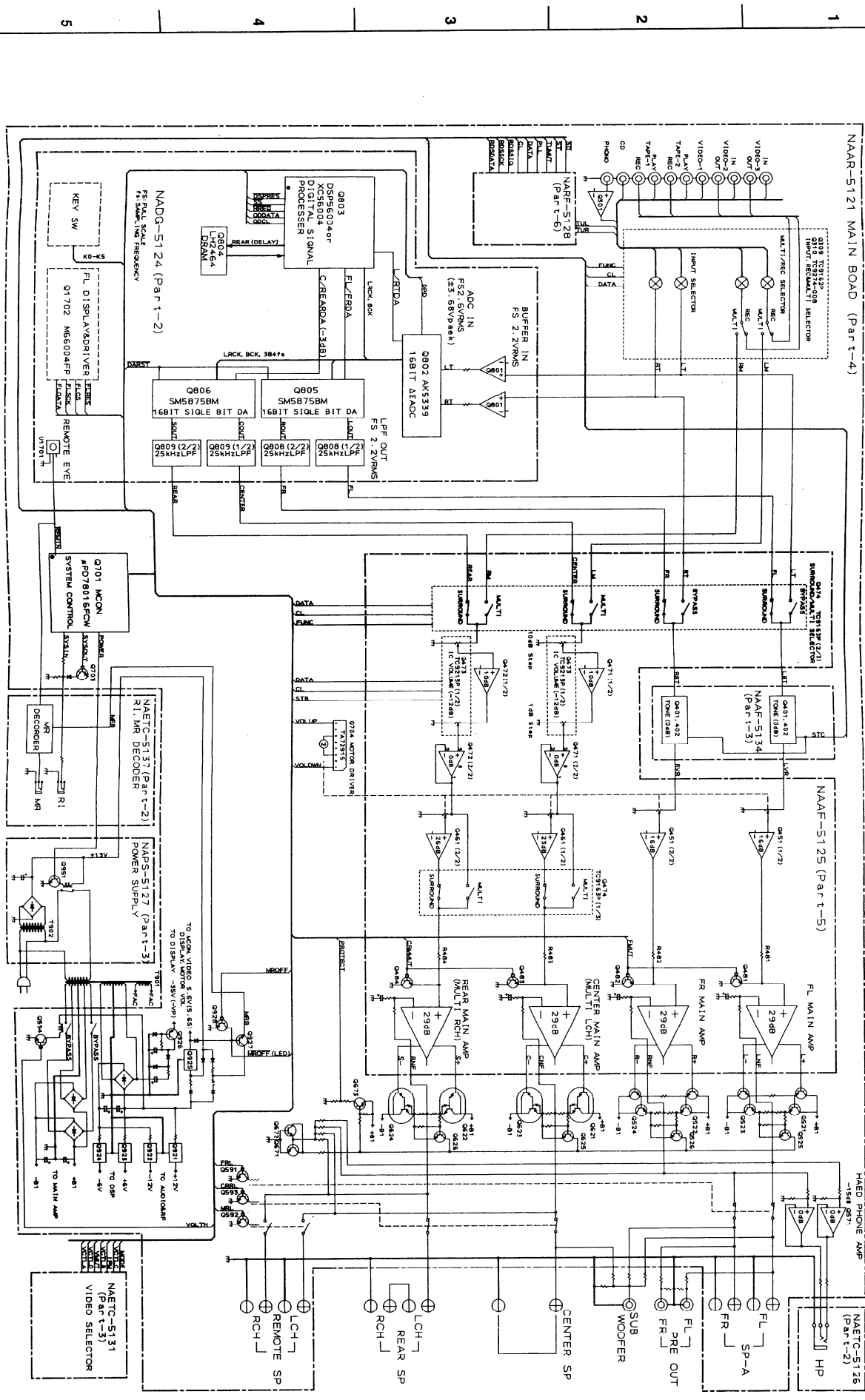
CIRCUIT NO.	PART NO.	DESCRIPTION
	Resistors	
R921,R922	453534794	0.47 Ohm \pm 5%, 1/2W, Metal
R941	453534794	0.47 Ohm \pm 5%, 1/2W, Metal

CIRCUIT NO.	PART NO.	DESCRIPTION
	Wire holders	
JL911b	25051113	NSCT-9P900
JL921b	25051109	NSCT-5P896

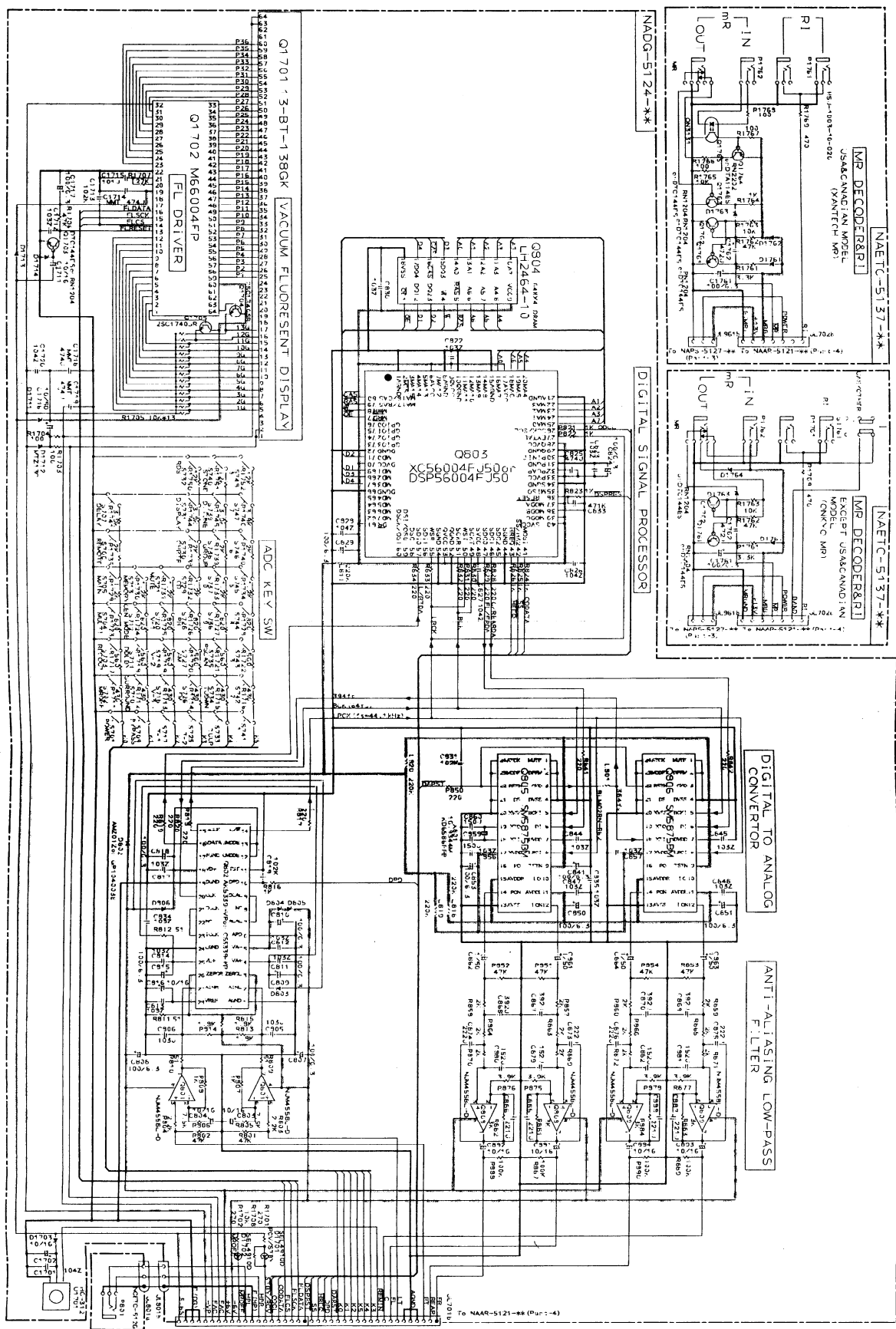
DISPLAY CIRCUIT PC BOARD (NADIS-5124-1/1A)

CIRCUIT NO.	PART NO.	DESCRIPTION
	Remote sensor	
U1701	24130010	HC-312
	FL tube	
Q1701	212138	13-BT-138GK
	ICs	
Q1702	22240685R9	M66004FP
Q801	22240293 or	NJM4558L-D or
Q808,Q809	22240247	BA15218N
Q802	22240524	AK5339-VP or CS5339-KP
	AK5339-VP and CS5339-KP are same IC.	
Q803	22240831R3	XC56004FJ50
Q804	22240720	LH2464-10
Q805,Q806	22240832R9	SM5875BM
	Transistors	
Q1703	221282 or 2213560	DTC144ES or RN1204
Q1704,Q1705	2213284 or 2212115	2SC1740S-R or 2SC2458-GR
	LEDs	
D1701,D1702	225291D	SEL4910D-D
	Diodes	
D1703,D1711	223205	1SS270A
D1713,D1714	223163 or	1SS133 or
D803-D806	223222	WG713A
D1712	224451303	MTZ 13C
D802	22380046 or 22380035	AM01Z or GP104003E
	Core	
L801	230906	BL02RN2-R62
	Coils	
L811	233454K220	NCH-1452 220K
L818-L820	233454K220	NCH-1452 220K
	Resonator	
X801	3010112	KD6586FFB
	Capacitors	
C1702,C1711	353741009	10 μ F, 16V, Elect.
C1714	375524744	0.47 μ F \pm 5%, 50V, Plastic
C1716	353781009	10 μ F, 50V, Elect.
C1717	353721019	100 μ F, 6.3V, Elect.
C1718,C1719	375524744	0.47 μ F \pm 5%, 50V, Plastic
C803,C804	353741009	10 μ F, 16V, Elect.
C805,C806	374721034	0.01 μ F \pm 5%, 50V, Plastic
C807-C810	353721019	100 μ F, 6.3V, Elect.
C815,C818	353721019	100 μ F, 6.3V, Elect.
C816	353741009	10 μ F, 16V, Elect.
C824,C829	353721019	100 μ F, 6.3V, Elect.
C825	374724744	0.47 μ F \pm 5%, 50V, Plastic
C841,C850	353721019	100 μ F, 6.3V, Elect.
C853	353721019	100 μ F, 6.3V, Elect.
C861-C864	353780109	1 μ F, 50V, Elect.
C867-C870	374723924	3900pF \pm 5%, 50V, Plastic
C873-C876	374722224	2200pF \pm 5%, 50V, Plastic
C879-C882	374721524	1500pF \pm 5%, 50V, Plastic

SCHEMATIC DIAGRAM Part 1



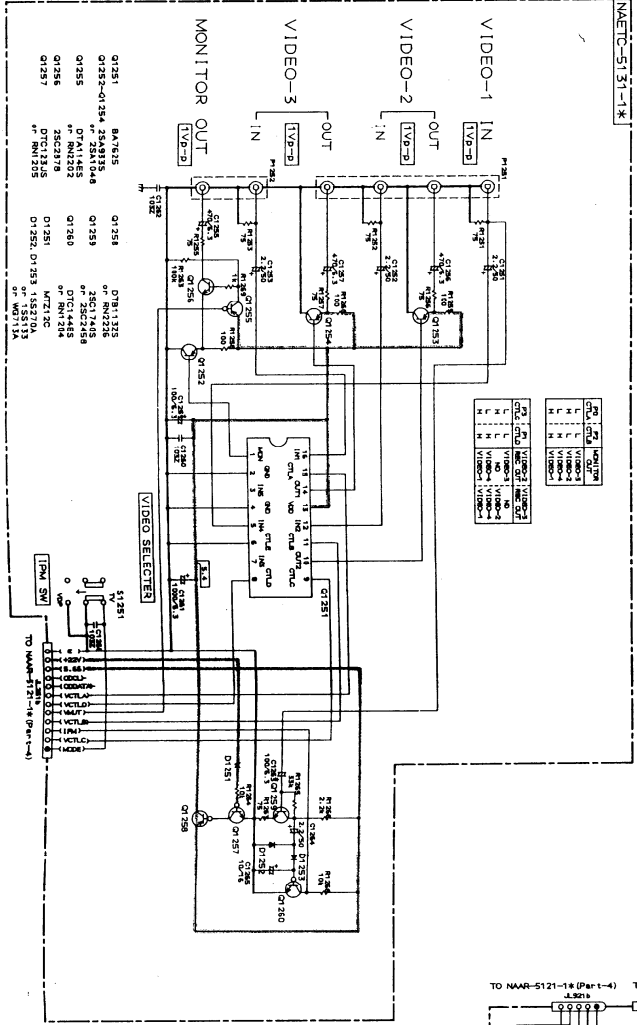
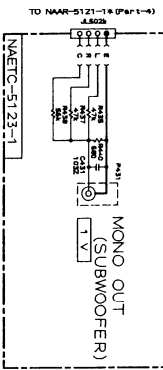
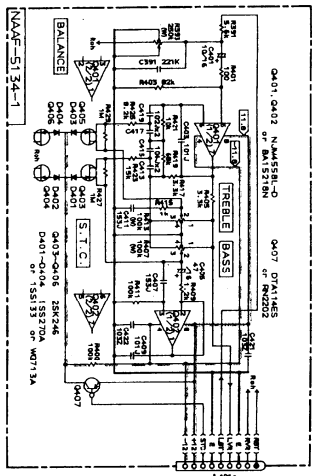
SCHEMATIC DIAGRAM
Part 2



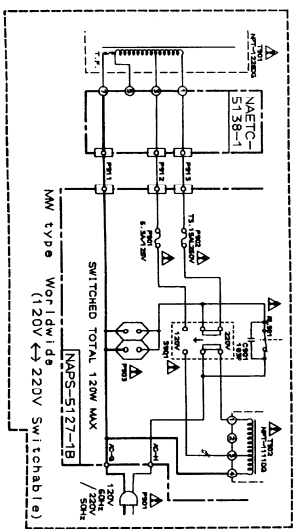
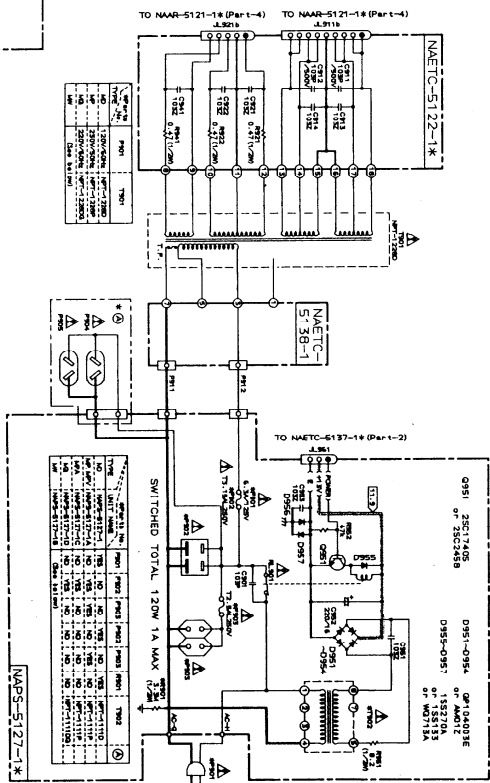
SCHEMATIC DIAGRAM

Part 3

A B C D E F G



- MD type : 120V/50Hz Area
- MDN type : U.S.A.
- MDC type : Canada
- MP type : 230V/50Hz Area
- MP type : Europe (MODEL No. TX-SV52SR)
- MPV type : Germany (MODEL No. TX-SV52SR)
- MPA type : Australia
- MG type : 220V/50Hz Area
- MGK type : South Korea
- MW type : 120V or 220V Switchable
- MW type : Worldwide
- MX type : For PX



PRINTED CIRCUIT BOARD-PARTS LIST

CIRCUIT NO.	PART NO.	DESCRIPTION
	Capacitors	
C885-C888	370132214	220pF±5%,100V,APS
C891-C894	353741009	10μ F,16V,Elect.
	Resistor	
R1705	49163103413	10k×13 RM1/101J, Array
	Push switches	
S701-S706	25035652	NPS-111-S604
S709-S713	25035652	NPS-111-S604
S717-S721	25035652	NPS-111-S604
S725-S729	25035652	NPS-111-S604
S730-S732	25035652	NPS-111-S604 <P>
S733-S748	25035652	NPS-111-S604
	Holder	
	27190913Y	
	Wire holders	
JL701b	25050946	NSCT-40P733
JL801b	25051087	NSCT-3P874

MASTER VOLUME CIRCUIT PC BOARD (NAAF-5125-1/1A)

CIRCUIT NO.	PART NO.	DESCRIPTION
	ICs	
Q451,Q461	22240293 or	NJM4558L-D or
Q471,Q472	22240247	BA15218N
Q473	22240266	TC9213P
Q474	22240799	TC9163AN
	Transistors	
Q481-Q484	2213631 or	RN1241-A or
	2213632	RN1241-B
Q491,Q492	2213510 or	DTA114ES or
	2214350	RN2202
Q501-Q504	2211732 or	* 2SC1845-F or
Q601-Q604	2211733	* 2SC1845-E
Q505,Q506	2213354 or	2SA933S-R or
Q605,Q606	2212125	2SA1048-GR
Q507,Q508	2211732 or	2SC1845-F or
Q607,Q608	2211733	2SC1845-E
Q509,Q510	2213284 or	2SC1740S-R or
Q609,Q610	2212115	2SC2458-GR
Q511,Q512	2211353 or	2SA949-O or
Q611,Q612	2211354	2SA949-Y
Q513,Q514	2211633 or	2SC2229-O or
Q613,Q614	2211634	2SC2229-Y
	Diodes	
D491,D492	223205	1SS270A
D501,D502	223163 or	1SS133 or
D601,D602	223222	WG713A
	Capacitors	
C451,C452	354780229	2.2μ F,50V,Elect.
C457-C460	354741009	10μ F,16V,Elect.
C461,C462	354780229	2.2μ F,50V,Elect.
C467-C470	354741009	10μ F,16V,Elect.
C471,C472	354780229	2.2μ F,50V,Elect.
C475,C476	354741009	10μ F,16V,Elect.
C477,C478	354780229	2.2μ F,50V,Elect.
C479,C480	354741009	10μ F,16V,Elect.
C491,C492	354741009	10μ F,16V,Elect.
C495-C498	354741009	10μ F,16V,Elect.
C501,C502	354781009	10μ F,50V,Elect.
C503,C504	374724714	470pF±5%,50V,Plastic
C507,C508	354742219	220μ F,16V,Elect.

CIRCUIT NO.	PART NO.	DESCRIPTION
	Capacitors	
C511,C512	374722224	2200pF±5%,50V,Plastic
C513,C514	354721019	100μ F,6.3V,Elect.
C519-C522	354700109	1μ F,160V,Elect.
C601,C602	354781009	10μ F,50V,Elect.
C607,C608	354742219	220μ F,16V,Elect.
C613,C614	354721019	100μ F,6.3V,Elect.
C619-C622	354700109	1μ F,160V,Elect.
	Resistors	
R450	5104348AY or	NI6RQL50KA25F
	5104349AY	Variable
R527,R528	443522204	22 Ohm±5%,1/2W,Metal oxide
R529,R530	443528204	82 Ohm±5%,1/2W,Metal oxide
R531-R534	453530224	2.2 Ohm±5%,1/2W,Metal
R627,R628	443522204	22 Ohm±5%,1/2W,Metal oxide
R629,R630	443528204	82 Ohm±5%,1/2W,Metal oxide
R631-R634	453530224	2.2 Ohm±5%,1/2W,Metal
	Sockets	
P601	25050985	NSCT-12P772
P602	25050988	NSCT-18P775
P603	25050986	NSCT-14P773

HEADPHONE TERMINAL PC BOARD (NAETC-5126-1)

CIRCUIT NO.	PART NO.	DESCRIPTION
JL801a	25051087	NSCT-3P874,Wire holder
P801	25045255	YKB26-5009,Headphone jack

PRIMARY CIRCUIT PC BOARD (NAPS-5127-1/1A/1B/1C/1D)

CIRCUIT NO.	PART NO.	DESCRIPTION
	Transistor	
Q951	2213284 or	2SC1740S-R or
	2212115	2SC2458-GR
	Diodes	
D951-D954	22380046 or	AM01Z or
	22380035	GP104003E
D955-D957	223205	1SS270A
	223163 or	1SS133 or
	223222	WG713A
	Power transformer	
T901	2300670AY	! NPT-1111D <D>
	2300671AY	! NPT-1111P <P>
	2300672AY	! NPT-1111DG <W>
	Capacitors	
C901	3500065A	! DE7150FZ103P AC400/125V,IS
C952	354742219	220μ F,16V,Elect.
	Resistors	
R901	431523355	! 3.3 Mohm,1/2W,Solid <D>
R951	453530824	8.2 Ohm±5%,1/2W,Metal
	Relay	
RL901	25065248	! NRL-1P15A-DC12-29 <D/W>
	25065483	! NRL-1P15A-DC12-084 <P>
	Plug	
P901a	25055675	NPLG-2P631 <D/P>
	AC outlet	
P902	25051126	! NSCT-4P913 <D>
	25051125	! NSCT-4P912 <P/W>
	Fuseholders	
F901a	25050065	! YSH403T <D/W>
F902a	25050065	! YSH403T <P/W>
F903a	25050065	! YSH403T <P>

CAUTION: Replacement of the transistor of mark *, if necessary, must be made from the same beta group (Hrz) as the original type.

NOTE: THE COMPONENTS IDENTIFIED BY MARK Δ ARE CRITICAL FOR RISK OF FIRE AND ELECTRIC SHOCK. REPLACE ONLY WITH PART NUMBER SPECIFIED.

CIRCUIT NO.	PART NO.	DESCRIPTION
	Fuse	
F901	252166Y	! 6.3A-UL/T-237, Primary <D/W>
F902	252076	! 3.15A-SE-EAK, Primary <P/W>
F903	252075	! 2.5A-SE-EAK, AC outlet <P>
	Wire holder	
JL961a	25051087	NSCT-3P874
	Switch	
S901	25065437	! NSS-22157P, Voltage selector <W>

VIDEO CIRCUIT PC BOARD (NAETC-5131-1)

CIRCUIT NO.	PART NO.	DESCRIPTION
	IC	
Q1251	22240373	BA7625
	Transistors	
Q1252-Q1254	2213354 or 2212125	2SA933S-R or 2SA1048-GR
Q1255	2213510 or 2214350	DTA114ES or RN2202
Q1256	2212285 or 2212286	2SC2878-A or 2SC2878-B
Q1257	2213640 or 2214660	DTC123JS or RN1205
Q1258	2213830 or 2214690	DTB113ZS or RN2226
Q1259	2213284 or 2212115	2SC1740S-R or 2SC2458-GR
Q1260	221282 or 2213560	DTC144ES or RN1204
	Diodes	
D1251	224451203	MTZ12C
D1252, D1253	223205 223163 or 223222	1SS270A 1SS133 or WG713A
	Capacitors	
C1251-C1253	354780229	2.2 μ F, 50V, Elect.
C1255-C1257	354724719	470 μ F, 6.3V, Elect.
C1259	354721019	100 μ F, 6.3V, Elect.
C1261	354721029	1000 μ F, 6.3V, Elect.
C1263	354721019	100 μ F, 6.3V, Elect.
C1264	354780229	2.2 μ F, 50V, Elect.
C1265	354741009	10 μ F, 16V, Elect.
	Switch	
S1251	25065286	NSS-22112
	Terminals	
P1251	25045339	NPJ-4PDYE190
P1252	25045395	NPJ-2PDYE221
	Wire trap	
JL251c	25055633	NPLG-12P595

SPEAKER TERMINAL PC BOARD (NAETC-5133-1/1A)

CIRCUIT NO.	PART NO.	DESCRIPTION
P1503	25060191	NTM6DML113, Speaker terminal
JL501c	25050268	NSCT-4P96, Wire trap

tone control circuit PC BOARD (NAAF-5134-1)

CIRCUIT NO.	PART NO.	DESCRIPTION
	ICs	
Q401, Q402	22240293 or 22240247	NJM4558L-D or BA15218N
	Transistors	
Q403-Q406	2211945	2SK246-GR
Q407	2213510 or 2214350	DTA114ES or RN2202
	Diodes	
D401-D404	223205 223163 or 223222	1SS270A 1SS133 or WG713A
	Capacitors	
C401, C402	354741009	10 μ F, 16V, Elect.
C405, C406	354744709	47 μ F, 16V, Elect.
C407, C408	374721534	0.015 μ F \pm 5%, 50V, Plastic
C411, C412	374721534	0.015 μ F \pm 5%, 50V, Plastic
C413-C416	374721044	0.1 μ F \pm 5%, 50V, Plastic
C417-C420	374721024	1000pF \pm 5%, 50V, Plastic
	Resistors	
R393	5104225	N11RGLC250KW22Z, Variable
R407, R413	5104230	N14RLC100KWT22Z, Variable
	Wire holder	
JL401a	25051093	NSCT-9P880

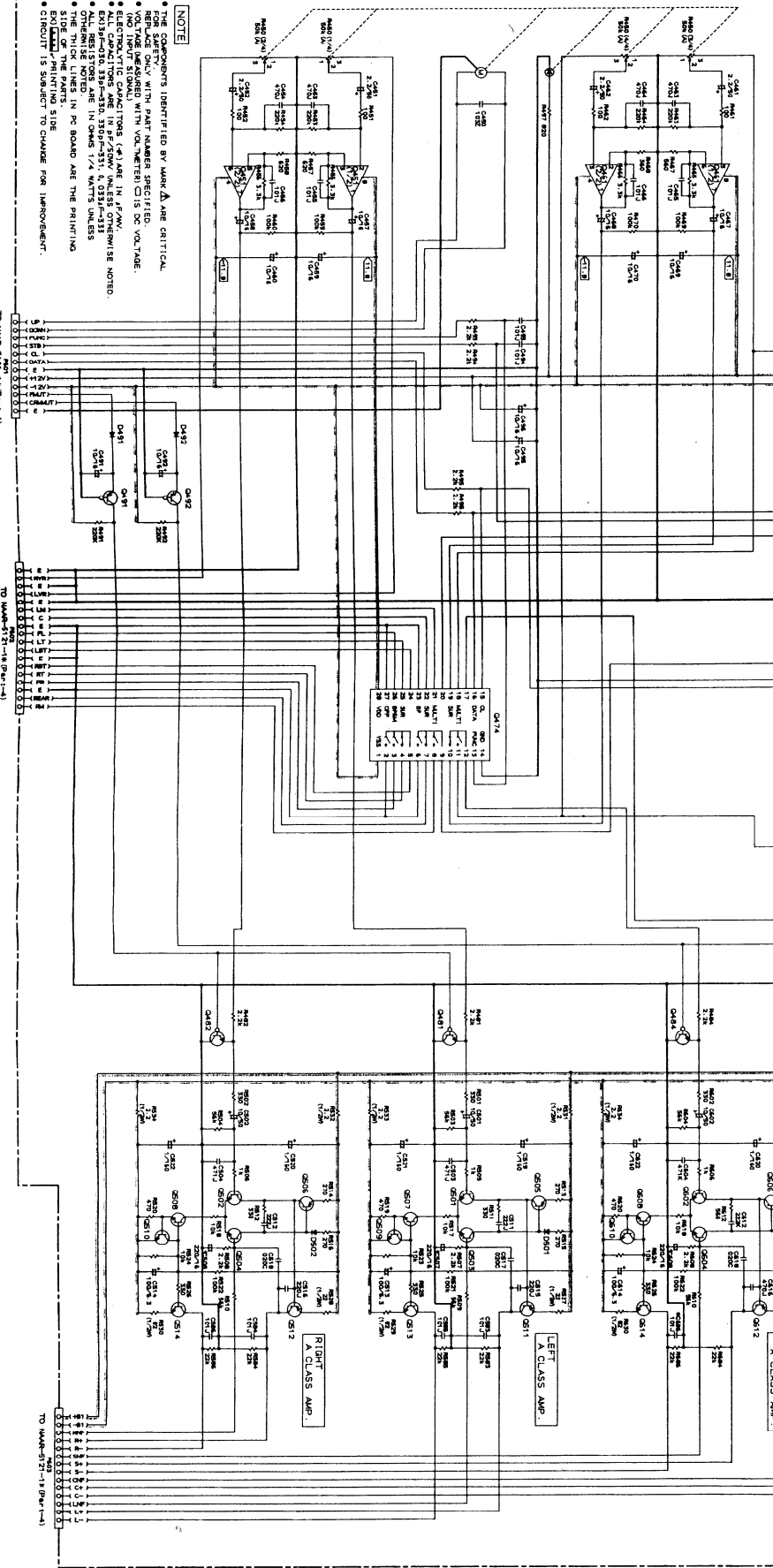
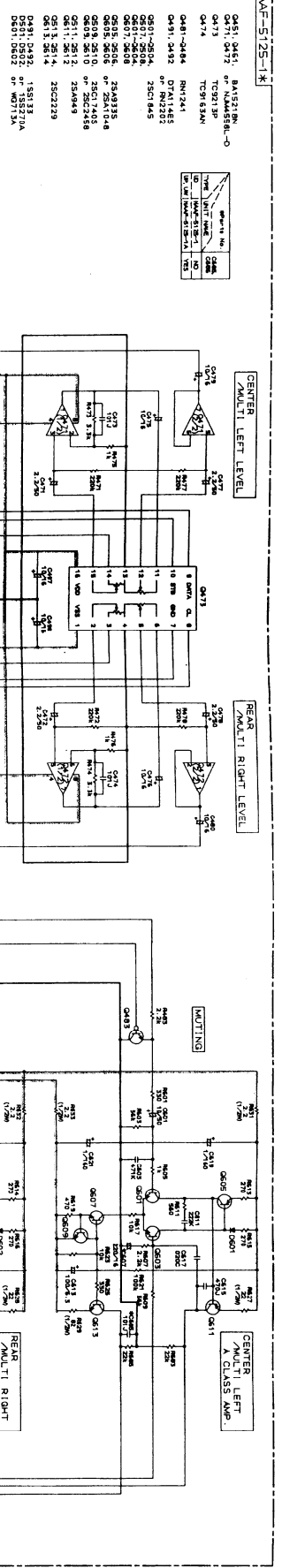
MR/RI TERMINAL PC BOARD (NAETC-5137-1/1A/1B)

CIRCUIT NO.	PART NO.	DESCRIPTION
	Transistors	
Q1761, Q1762	221282 or 2213560	DTC144ES or RN1204
Q1763	221282 or 2213560	DTC144ES or RN1204 <D>
Q1764	2213510 or 2214350	DTA114ES or RN2202 <D>
	Photo coupler	
Q1765	24120043	ON3131 <D>
	Diodes	
D1761, D1763	223205 223163 or 223222	1SS270A 1SS133 or WG713A
D1762	223205 223163 or 223222	1SS270A 1SS133 or WG713A <D>
D1764	223205 223163 or 223222	1SS270A 1SS133 or WG713A <P/W>
	Capacitors	
C1761	354721019	100 μ F, 6.3V, Elect.
C1762	374724724	4700pF \pm 5%, 50V, Plastic
	Terminals	
P1761	25045172	HSJ-1003-01-020, RI
P1762	25045433 25045293	HSJ-1003-01-013, XANTECH <D> HSJ-1003-01-012, MR <P/W>
	Wire trap	
JL702b	25055628	NSCT-7P590
	Wire holder	
JL961b	25051087	NSCT-3P874
	Switch	
S1761	250650286	NSS-22112, Band step <W>

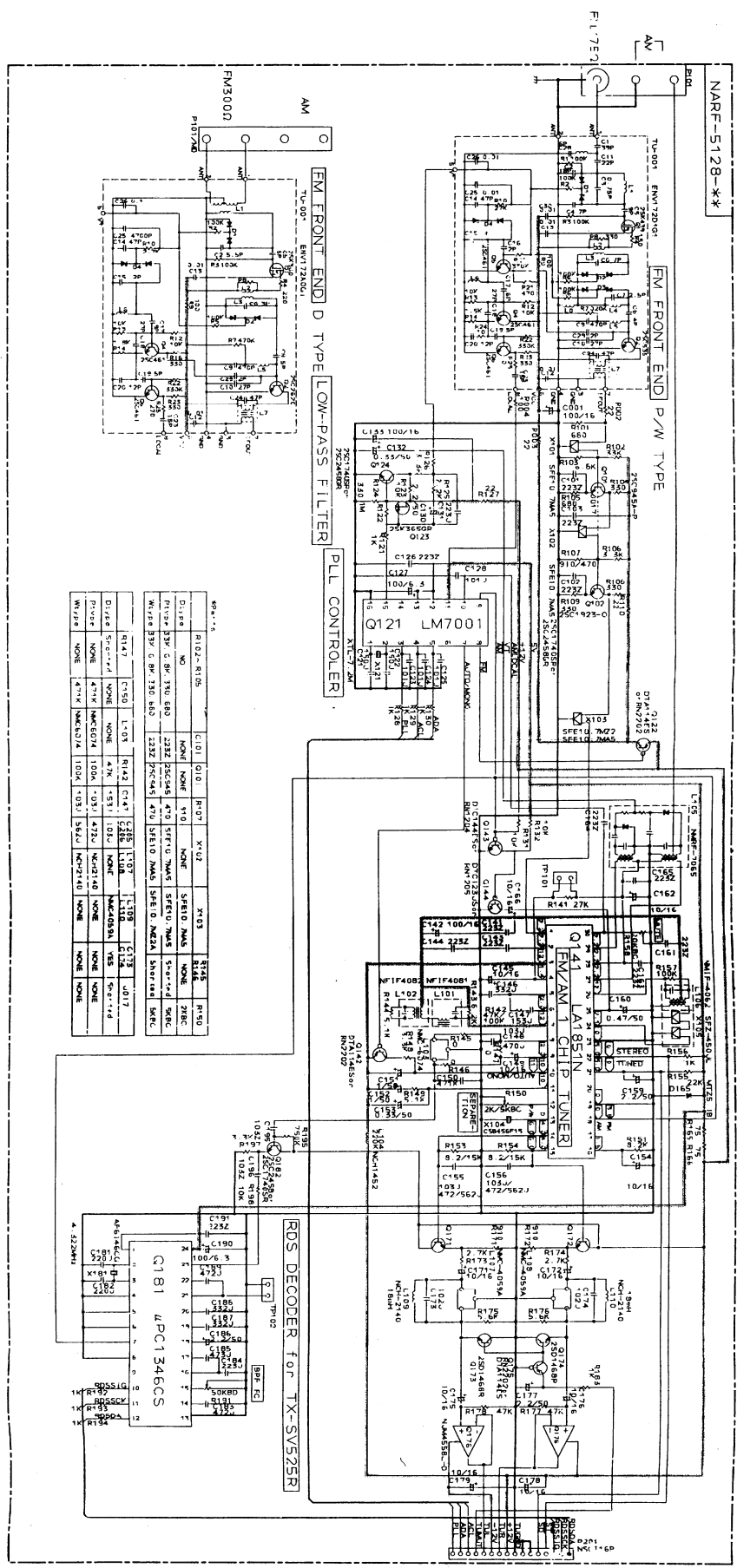
SCHEMATIC DIAGRAM

Part 5

A B C D E F G



SCHEMATIC DIAGRAM
Part 6



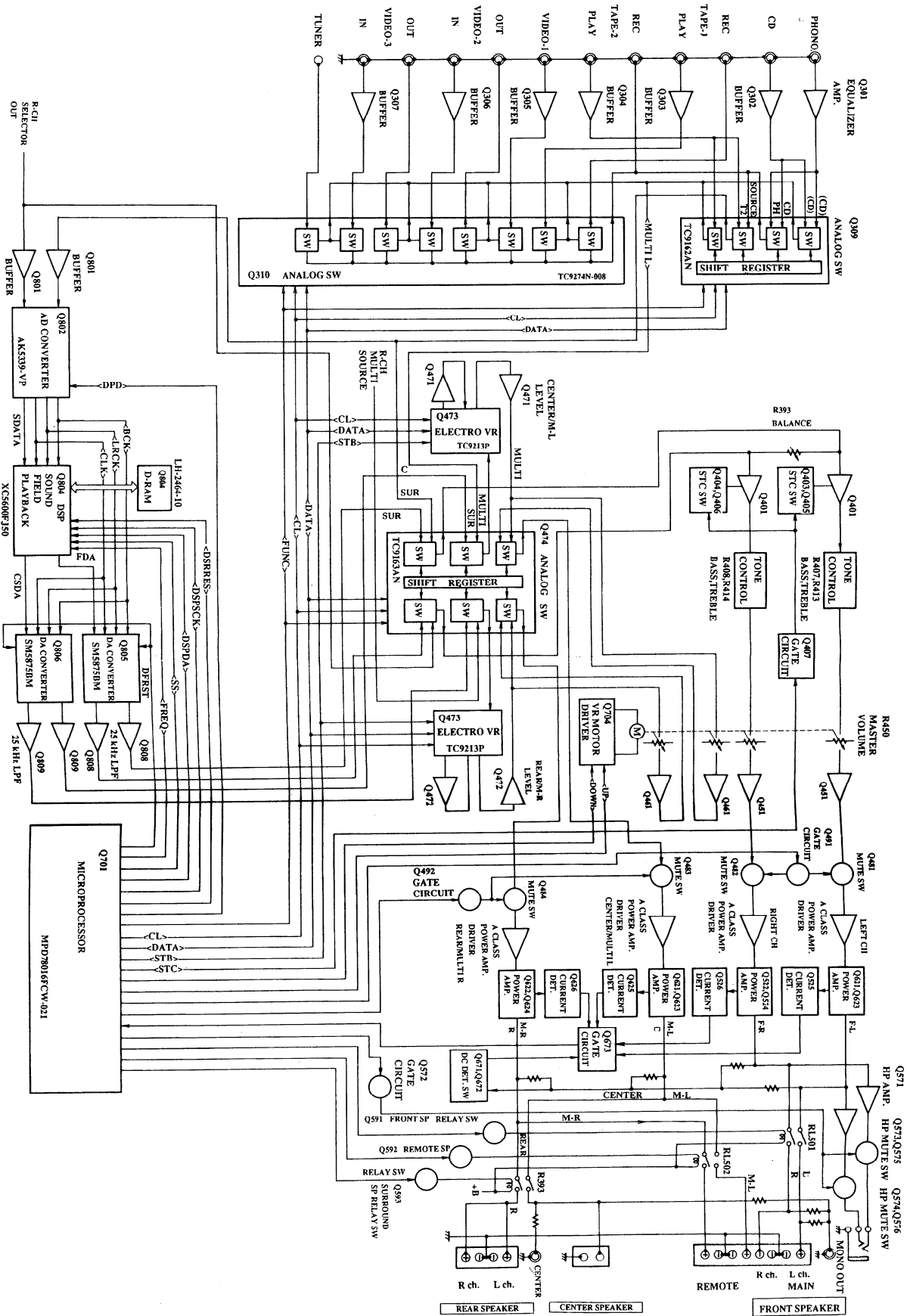
Pin	Symbol	Function	Notes
1	NC	NO CONNECTION	
2	NC	NO CONNECTION	
3	NC	NO CONNECTION	
4	NC	NO CONNECTION	
5	NC	NO CONNECTION	
6	NC	NO CONNECTION	
7	NC	NO CONNECTION	
8	NC	NO CONNECTION	
9	NC	NO CONNECTION	
10	NC	NO CONNECTION	
11	NC	NO CONNECTION	
12	NC	NO CONNECTION	
13	NC	NO CONNECTION	
14	NC	NO CONNECTION	
15	NC	NO CONNECTION	
16	NC	NO CONNECTION	
17	NC	NO CONNECTION	
18	NC	NO CONNECTION	
19	NC	NO CONNECTION	
20	NC	NO CONNECTION	
21	NC	NO CONNECTION	
22	NC	NO CONNECTION	
23	NC	NO CONNECTION	
24	NC	NO CONNECTION	
25	NC	NO CONNECTION	
26	NC	NO CONNECTION	
27	NC	NO CONNECTION	
28	NC	NO CONNECTION	
29	NC	NO CONNECTION	
30	NC	NO CONNECTION	

1
2
3
4
5

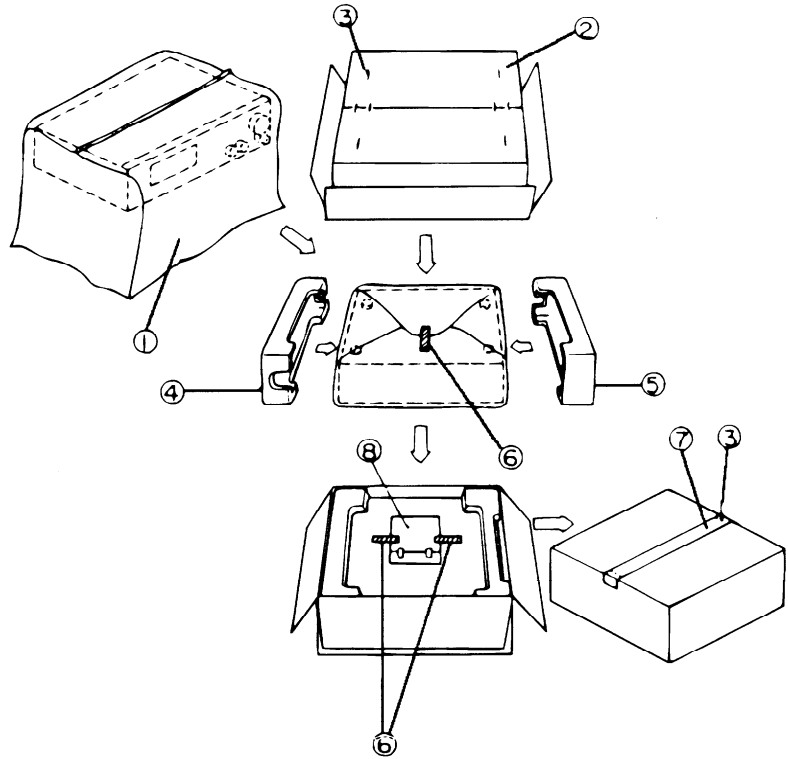
BLOCK DIAGRAM

Amplifier section

TX-SV525 TX-SV525



PACKING VIEW



REF.NO.	PART NO.	DESCRIPTION
1	29100034-1Y	Styren bag
2	29052819Y	Carton box <D/W>
	29052820Y	Carton box <P>
	29052823Y	Carton box <P> <S>
3	282301	Staple
4	29091615BY	Pad R
5	29091614CY	Pad L
6	261504	Paper tape
7	29110071	PP tape
8	Accessory bag ass'y	
	29100097-1Y	Styren bag
	24140287AY or	RC-287S, Remote control transmitter
	24140287Y	
	3010054	UM-3, Battery"
	232140	NMA-3057, AM loop antenna
	292111	FM antenna <D>
	292112	FM antenna <P/W>
	29342054Y	Instruction manual
	29342055Y	Instruction manual <P>
	29342056Y	Instruction manual <W>
	29342057Y	Instruction manual <P>
	2010200	Cord RI
	29365019B	Warranty card <N>
	29358002K	Service station list <N>
	29361775Y	Label UPC <N>
	29360778Y	Label FLASH <N>
	25065462	FM antenna adaptor <W>
	25055018	"CV-K-1, Conversion plug <W>"

NOTE: <D>:120 V model only
 <P>:230 V model only
 <N>:U.S.A. model only
 <W>:Worldwide model only
 :Black model only
 <S>:Silver model only

NOTES

The TX-SV525(B)MPT type (Taiwanese model) is the same as the TX-SV525R(B)MP type (230V model) with the exception of the following sections.

REF.NO.	PART NAME	MPT type		MP type	
		PART NO.	DESCRIPTION	PART NO.	DESCRIPTION
3	Rear panel	27122059Y		27121986Y	
4	Decorative frame	27315253AY		27215256AY	
51	Front panel ass'y	1A559121Y		1A561121Y	
U1	Pc board ass'y	1A559521-1CY	NAAR-5121-1C	1A562521-1AY	NAAR-5121-1A
U4	Pc board ass'y	1A559524-1Y	NADG-5124-1	1A562524-1AY	NADG-5124-1A
U8	Pc board ass'y	1A559528-1CY	NARF-5128-1C	1A562528-1AY	NARF-5128-1A
	Instruction manual	29342056Y		29342055Y	
	Instruction manual	Not used		29342057Y	
	FM antenna adaptor	25065462		Not used	
	Carton box	29052819Y		29052820Y	

The TX-SV525(B)MGK type (Korean model) is the same as the TX-SV525R(B)MP type (230V model) with the exception of the following sections.

REF.NO.	PART NAME	MGK type		MP type	
		PART NO.	DESCRIPTION	PART NO.	DESCRIPTION
3	Rear panel	27122081Y		27121986Y	
4	Decorative frame	27315253AY		27215256AY	
51	Front panel ass'y	1A564121Y		1A561121Y	
F903	Fuse	Not used		252075	2.5A-SE-EAK
P901	Power supply cord	253213WSE	KS-AS	253193HIT	AS-CEE
P904,5	AC outlet	25051266	NSCT-2P1056	Not used	
T901	Power transformer	2301067Y	NPT-1228DG	2301066Y	NPT-1228P
U1	Pc board ass'y	1A559521-1DY	NAAR-5121-1D	1A562521-1AY	NAAR-5121-1A
U4	Pc board ass'y	1A559524-1Y	NADG-5124-1	1A562524-1AY	NADG-5124-1A
U7	Pc board ass'y	1A559527-1DY	NAPS-5127-1D	1A562527-1AY	NAPS-5127-1A
U8	Pc board ass'y	1A559528-1CY	NARF-5128-1C	1A562528-1AY	NARF-5128-1A
	Instruction manual	29355221		29342055Y	
	Instruction manual	Not used.		29342057Y	
	FM antenna adaptor	25065462		Not used	
	Carton box	29052819Y		29052820Y	

ONKYO CORPORATION

Sales Planning & Promotion Dept. : 2-1, Nisshin-cho, Neyagawa-shi, OSAKA 572, JAPAN

Tel: 0720-31-8111 Fax: 0720-33-5222

ONKYO U.S.A CORPORATION

200 Williams Drive, Ramsey, N.J. 07446, U.S.A.

Tel: 201-825-7950 Fax: 201-825-8150

ONKYO DEUTSCHLAND GMBH ELECTRONICS

Industriestrasse 18-20, 82110 Germering, GERMANY

Tel: 089 84 20 Fax: 089 84 93 226

ONKYO FRANCE

Immeuble Le Diamant, Domaine Technologique de Saclay, 4 Rue Rene Razel,

91892 SACLAY, FRANCE Tel: (1) 69 33 1400 Fax: (1) 69 41 35 84