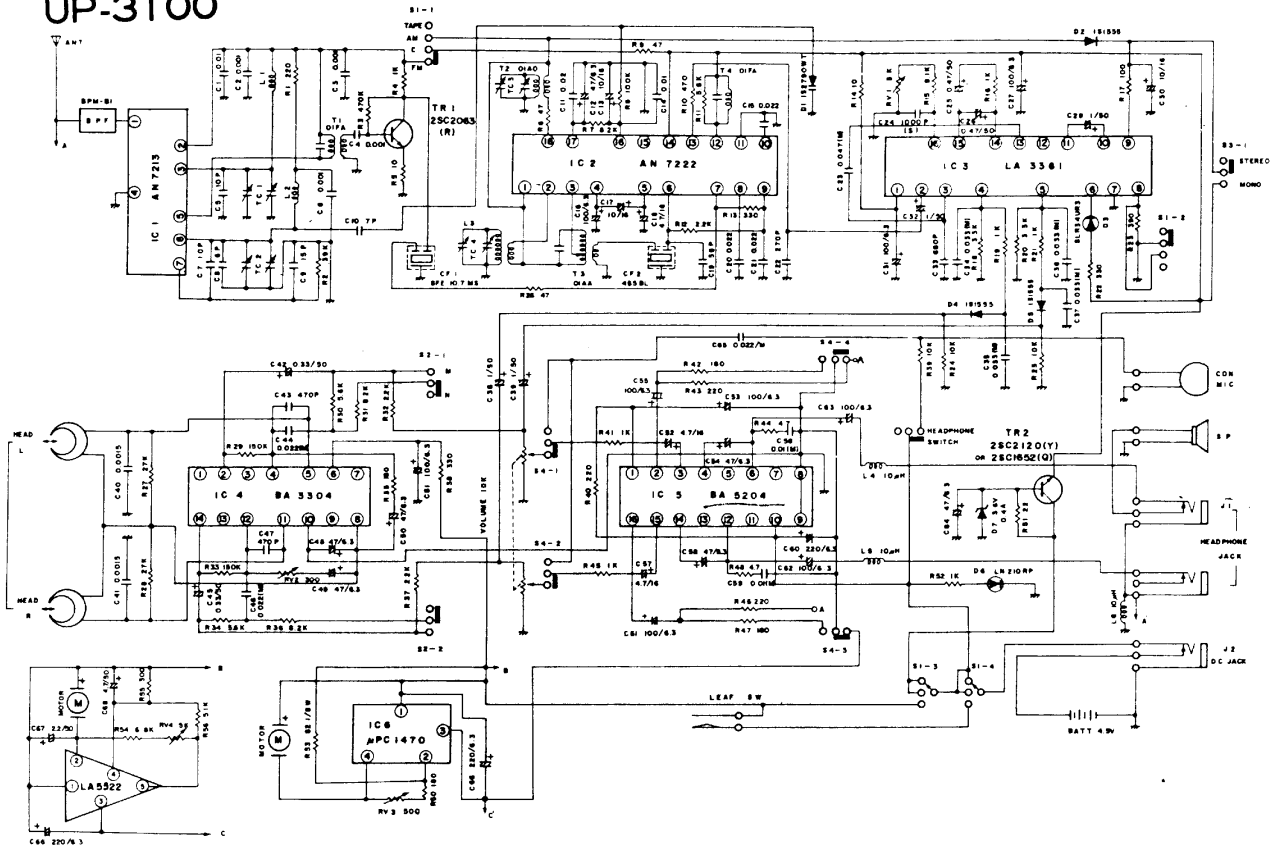


6. SCHEMATIC DIAGRAM

BA5204
M430R
18

UP-3100



UP-3100A

