

Technical Manual

REF-200MKII



SPECIFICATIONS

ACOUSTIC & ELECTRICAL SPECIFICATIONS:

- * Nominal Impedance: 6 ohm
- * Recommended Amp Power: 10-50W
- * Frequency Response: 80 Hz - 25 kHz (-6dB)
- * Sensitivity: 89 dB / 2,83V / 1 m
- * Crossover frequency: 4 kHz

SYSTEM COMPONENTS:

- * Cabinet: CREF-200 MKII (Not for sale)
- * Grille: GREF-200 MKII (2408000)
- * Woofer: W70410-7 130mm Woofer Coated Paper

SYSTEM COMPONENTS: (cont'd)

- * Tweeter: TW0101Y Gold 10mm Gold Plated Polymer dome tweeter
- * Crossover Network: NREF-200 MKII (2708300)

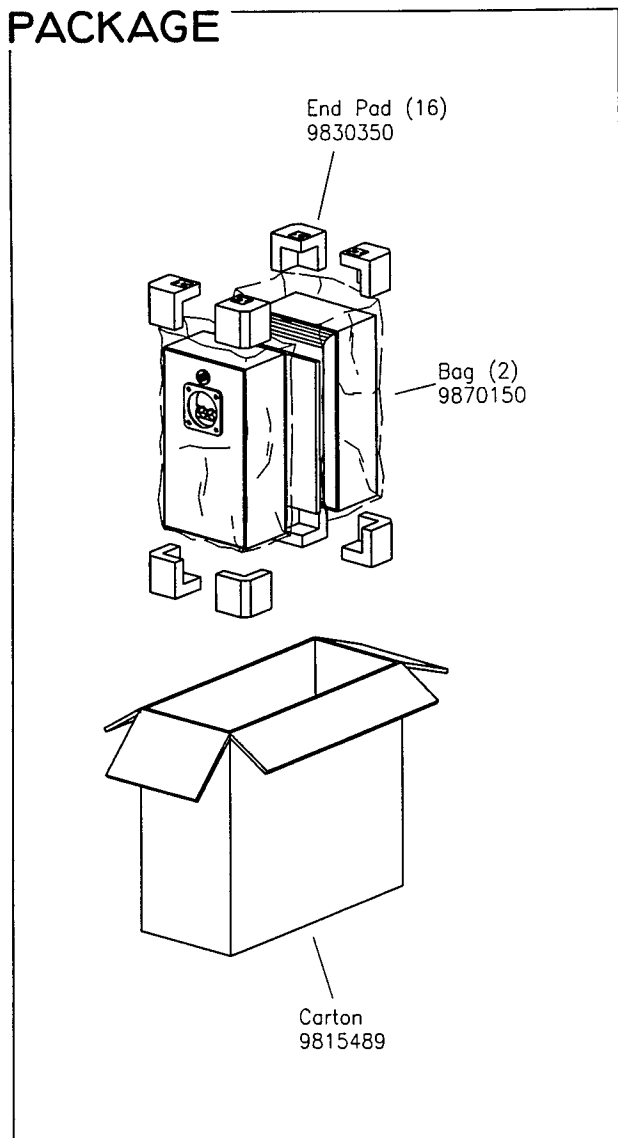
PHYSICAL SPECIFICATIONS:

- * Enclosure Dimensions (H.W.D): 12,8x7x5 In. D (326x180x126mm D)
- * Shipping Weight: 17,6 lbs. (8 kg.)

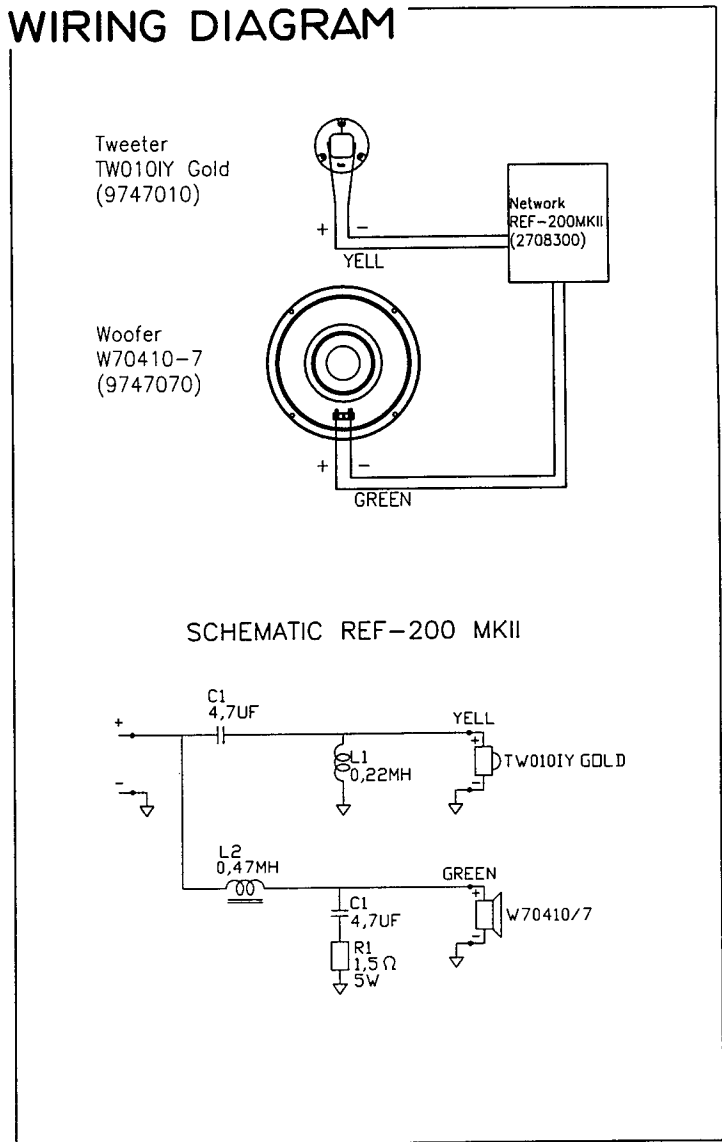
WARRANTY INFORMATION:

- * Refer to the Warranty Statement packed with each product

PACKAGE



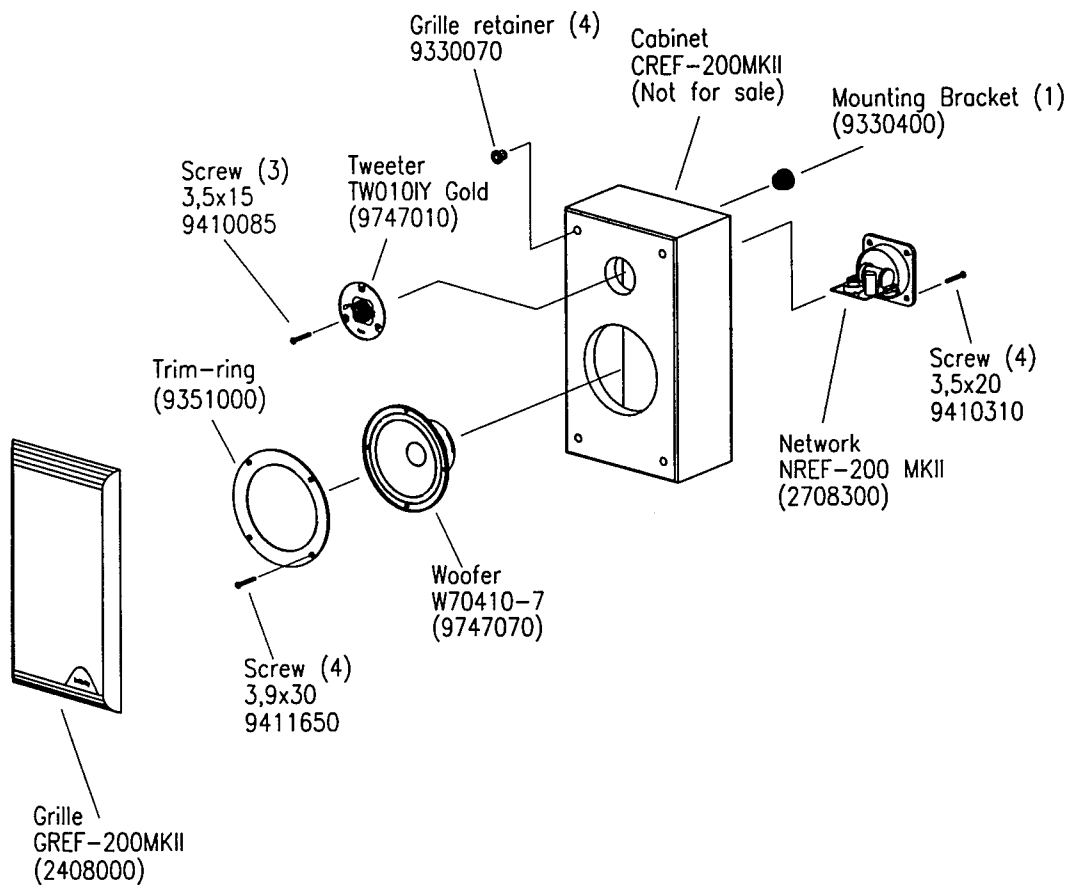
WIRING DIAGRAM



REF-200MKII

REF-200MKII

COMPONENT EXPLODED VIEW



REF-200MKII