

REVISIONS		DESCRIPTION	DATE	APPROVED
ECO	REV.	RELEASE FOR PRODUCTION	01-18-93	KL/nd
-	A			

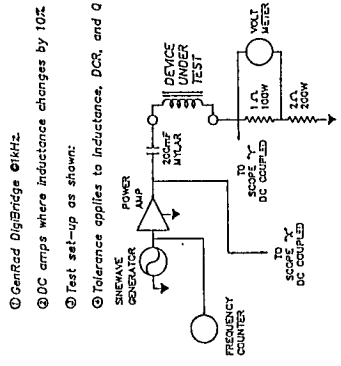
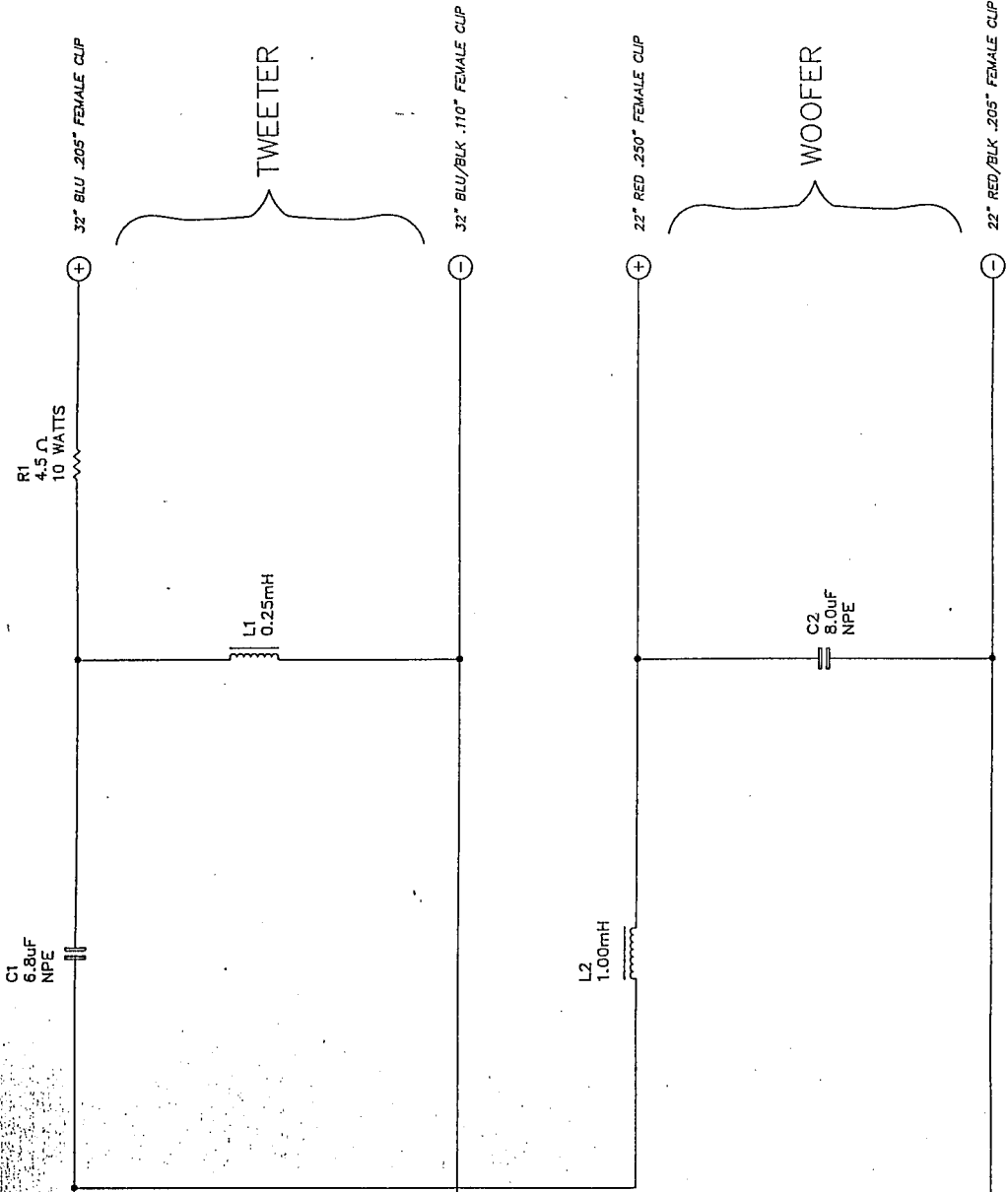
Bill of Material
01-18-93

Inductors Ref.	Value	Tol%	DCR	DBE1K	Type	AC Volts	Brand
L1	0.25 @	5	-	9.2 @	SLUG	100	NPE
L2	1.00 @	5	-	13.00 @	1	100	NPE

Capacitors Ref.	Value	Tol%	D.F.X (Hz)	AC Volts	Type	Brand
C1	6.8uF	10	6.0 1K	100	NPE	-
C2	8.0uF	10	4.0 1K	100	NPE	-

Resistors Ref.	Value	Tol%	Watts	Type	Brand
R1	4.5 OHM	5	10	WIRE WOUND	-

PROTECTION DEVICES: None
 PCB MATERIAL: FR-4
 WIRE: AWG #18 AWG STRANDED
 CLIPS: SEE LIST
 CLIP: PUSH TERMINALS - 712-6295

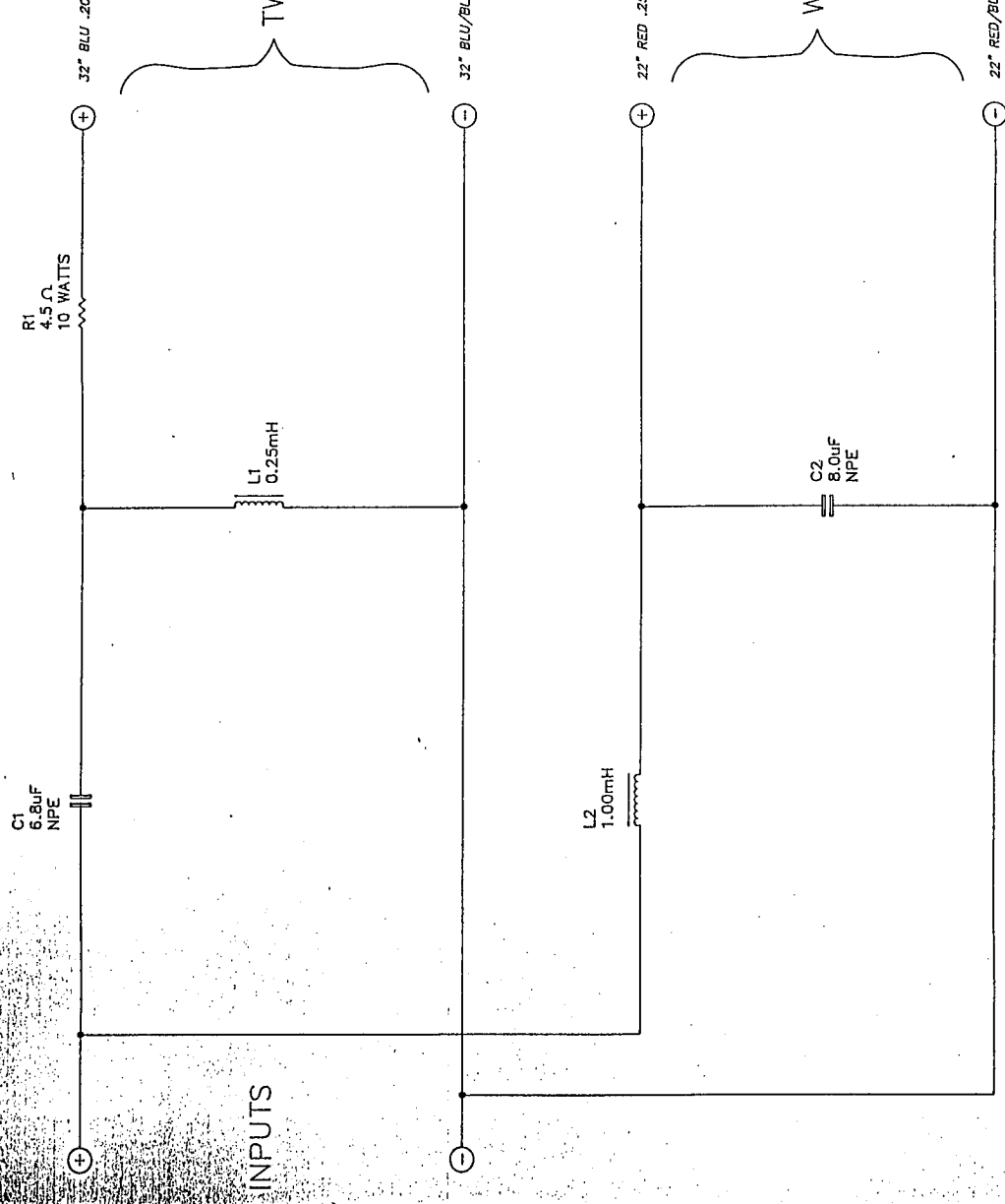


- ① GenRad Digbridge @1kHz.
- ② DC amps where inductance changes by 10%
- ③ Test set-up as shown:
- ④ Tolerance applies to Inductance, DCR, and Q

Infinity Systems Inc.	
SL 40	CROSSOVER SCHEMATIC
P/N: 015...635B	
DWG NO: 015-635B-01665-42D	
DRAWN BY: R. RAHL	SCALE: N/A
DATE: 12-28-92	
APPROVED: [Signature]	
MATERIAL: SEE NOTES	
FINISH: SEE NOTES	
TOLERANCES: ANG: ± .5° FRACT: ± 1/32	
DECIMALS: .XX ± .01 .XXX ± .005	
REVISION: A	SHEET 1 OF 1

INFINITY SYSTEMS, INC. PROPRIETARY
 This document contains confidential and proprietary information that is the property of Infinity Systems, Inc. and may not be disclosed to or duplicated for others except as authorized by Infinity Systems, Inc.

JAN 18 1993



JAN 18 1993