

# REF-11MKII



## SPECIFICATIONS

### ACOUSTIC & ELECTRICAL SPECIFICATIONS:

- \* Nominal Impedance: 6 ohm
- \* Recommended Amp Power: 10-75W
- \* Frequency Response: 60 Hz - 25 kHz (-6dB)
- \* Sensitivity: 90 dB / 2,83V / 1 m
- \* Crossover frequency: 4 kHz

### SYSTEM COMPONENTS:

- \* Cabinet: GREF-11 MKII (Not for sale)
- \* Grille: GREF-11 MKII (2408040)
- \* Woofer: W70410-5 130mm Woofer Coated Paper

### SYSTEM COMPONENTS: (cont'd)

- \* Tweeter: TW010IY Gold 10mm Gold Plated Polymer dome tweeter
- \* Crossover Network: NREF-11 MKII (2708310)

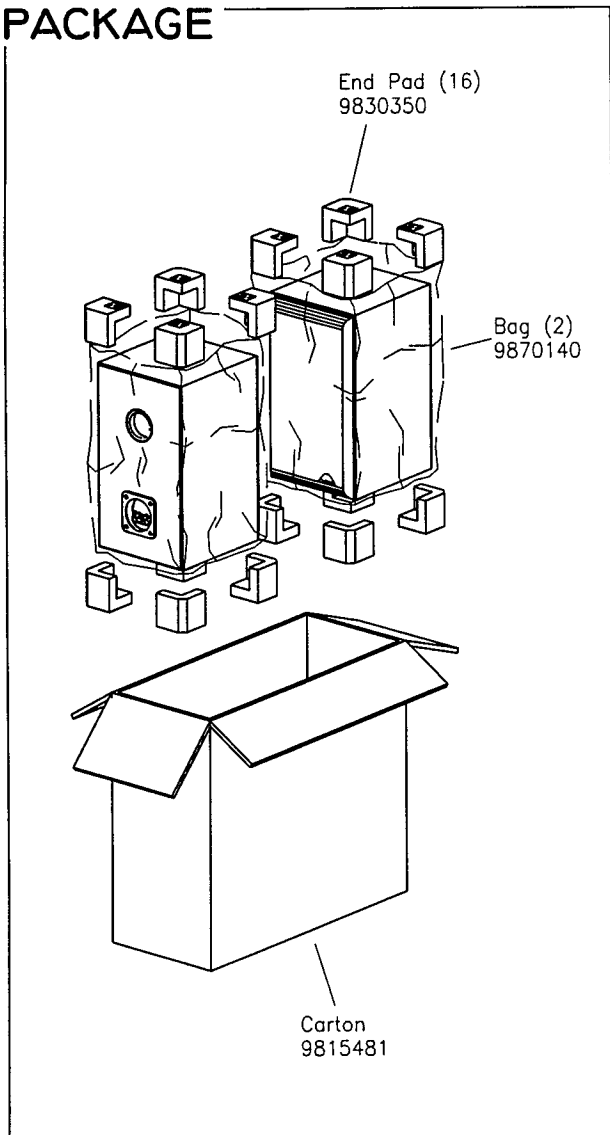
### PHYSICAL SPECIFICATIONS:

- \* Enclosure Dimensions (H.W.D): 11,8x6,7x8,5 In. D (372x208x244mm D)
- \* Shipping Weight: 28.5 lbs. (13 kg.)

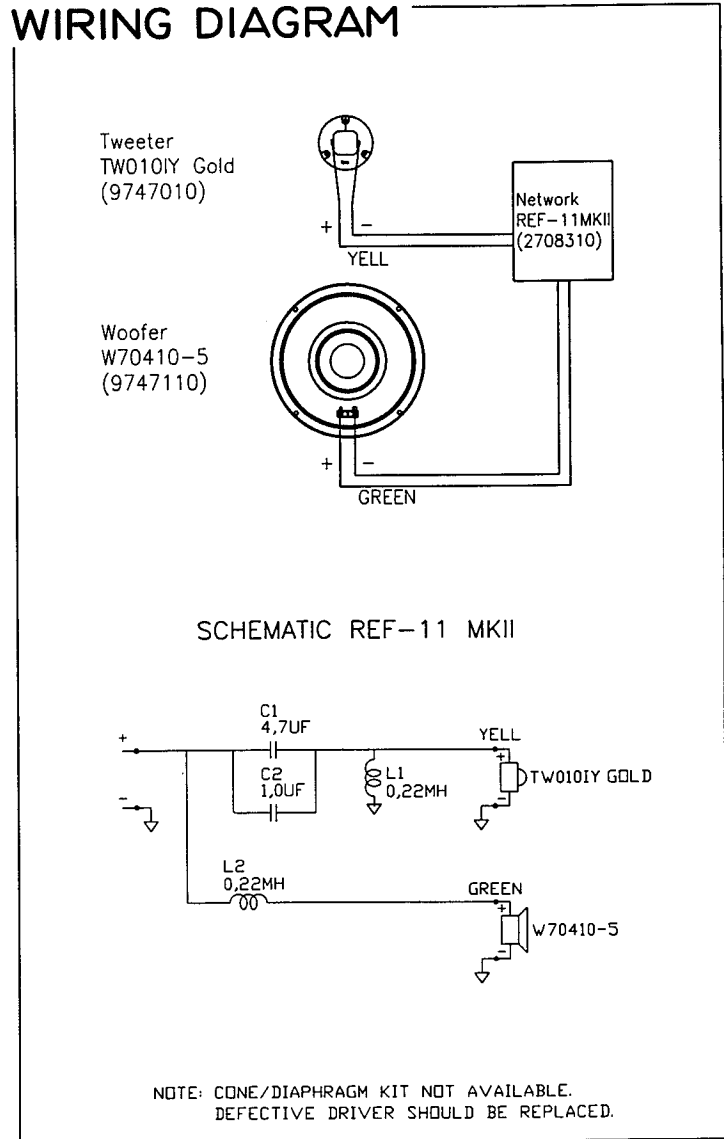
### WARRANTY INFORMATION:

- \* Refer to the Warranty Statement packed with each product

## PACKAGE



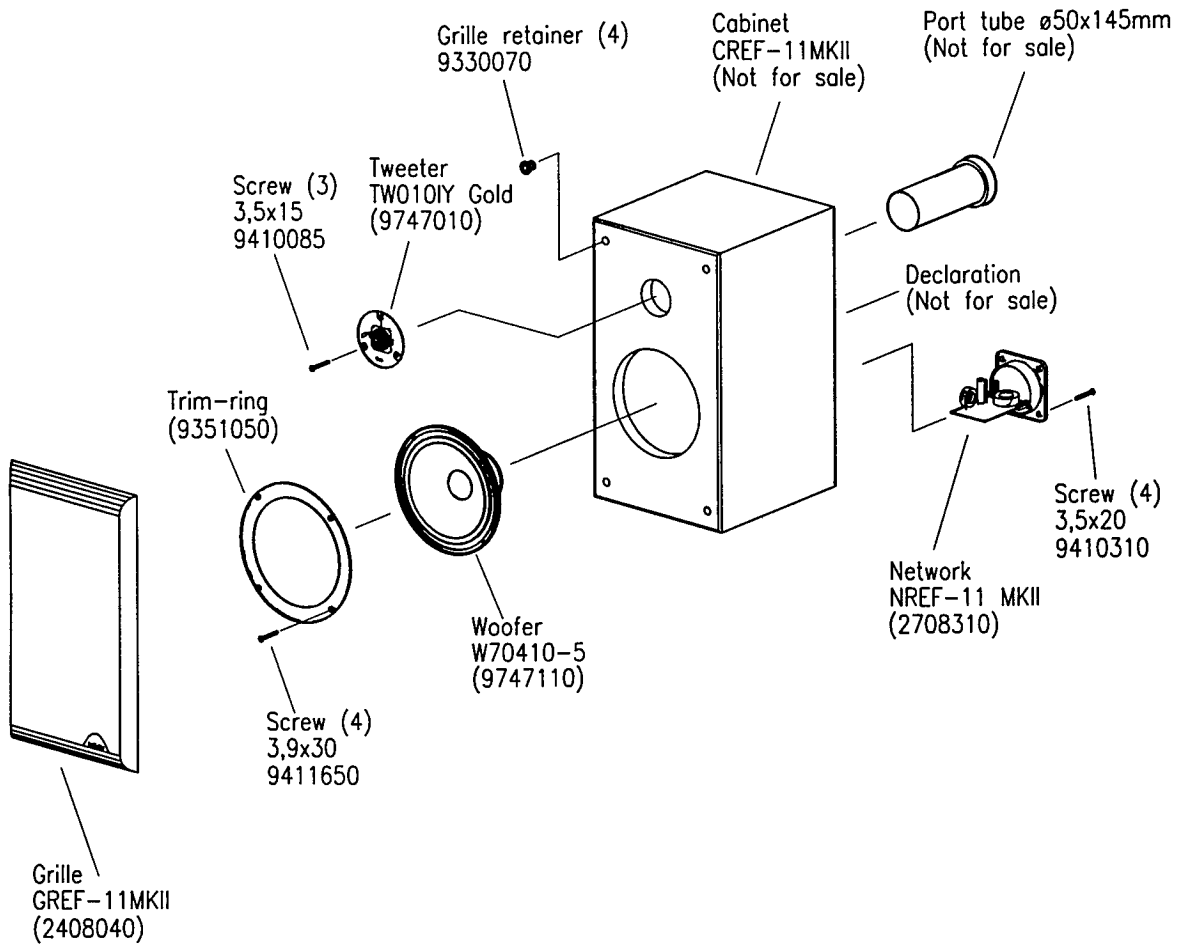
## WIRING DIAGRAM



**REF-11MKII**

# REF-11MKII

## COMPONENT EXPLODED VIEW



REF-11MKII