

# Technical Manual

# REF-100MKII



## SPECIFICATIONS

### ACOUSTIC & ELECTRICAL SPECIFICATIONS:

- \* Nominal Impedance: 8 ohm
- \* Recommended Amp Power: 10-100W
- \* Frequency Response: 70 Hz - 25 kHz (-6dB)
- \* Sensitivity: 90 dB / 2,83V / 1 m
- \* Crossover frequency: 4 kHz

### SYSTEM COMPONENTS:

- \* Cabinet: CREF-100MKII (Not for sale)
- \* Grille: GREF-100MKII (2408280)
- \* Woofer: W70410-8 130mm Woofer (2)  
Coated Paper

### SYSTEM COMPONENTS: (cont'd)

- \* Tweeter: TW010JL19 Gold 10mm  
Gold plated polymer dome tweeter
- \* Crossover Network: NREF-100 MKII (2708390)

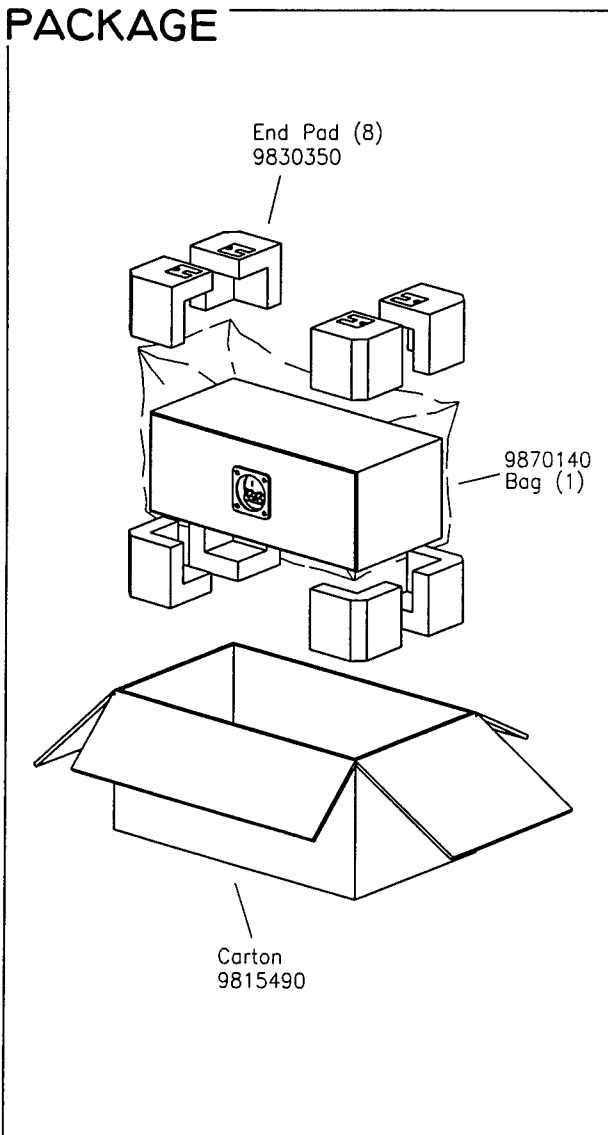
### PHYSICAL SPECIFICATIONS:

- \* Enclosure Dimensions (H.W.D): 7,1x18,2x9,6 In. D  
(180x462x244mm D)
- \* Shipping Weight: 20 lbs. (9 kg.)

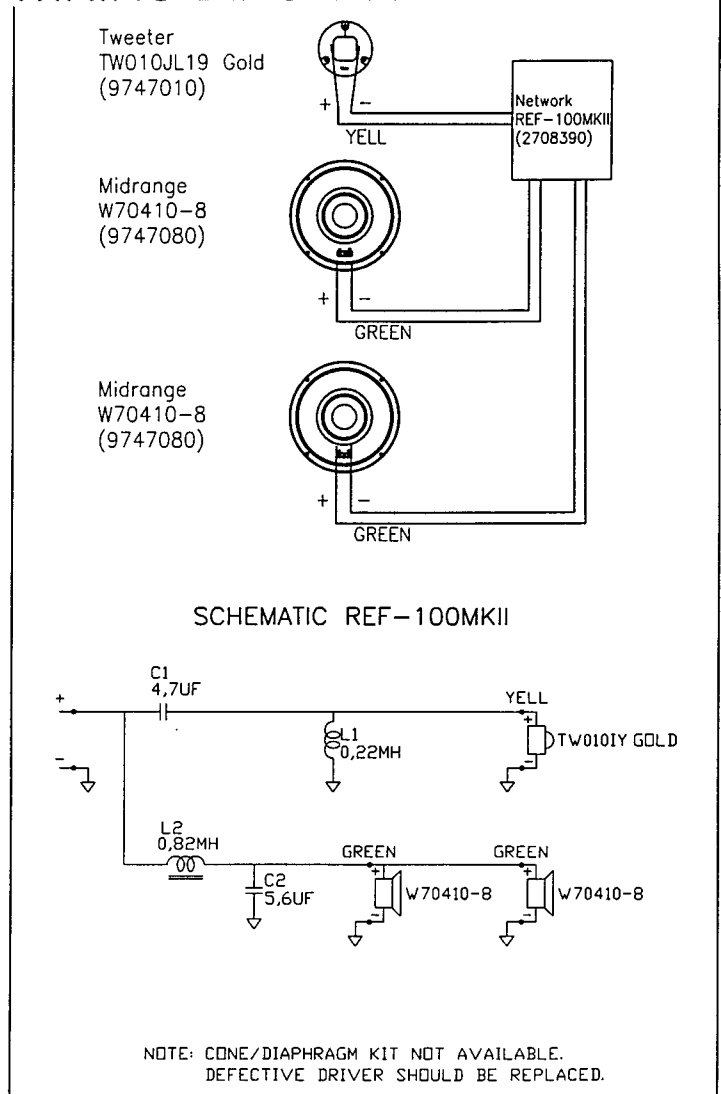
### WARRANTY INFORMATION:

- \* Refer to the Warranty Statement packed with each product

## PACKAGE



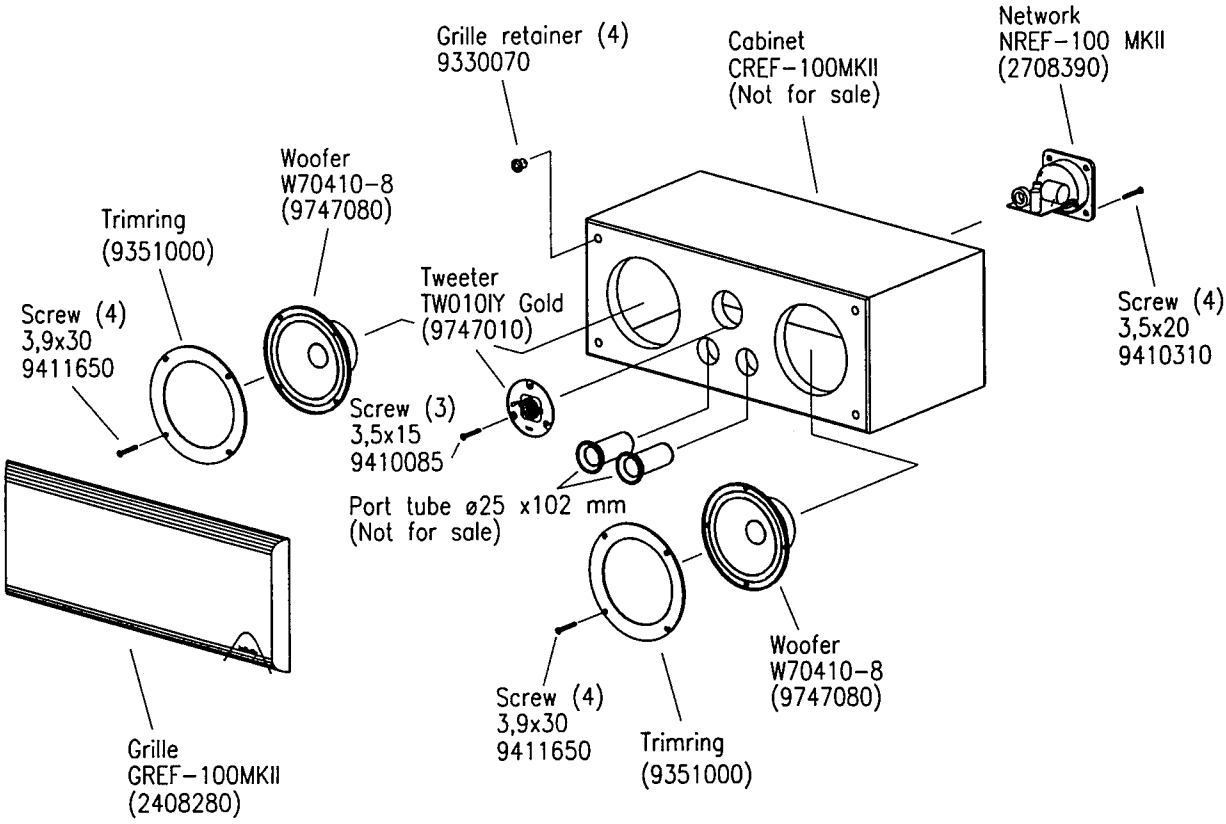
## WIRING DIAGRAM



**REF-100MKII**

# REF-100MKII

## COMPONENT EXPLODED VIEW



REF-100MKII