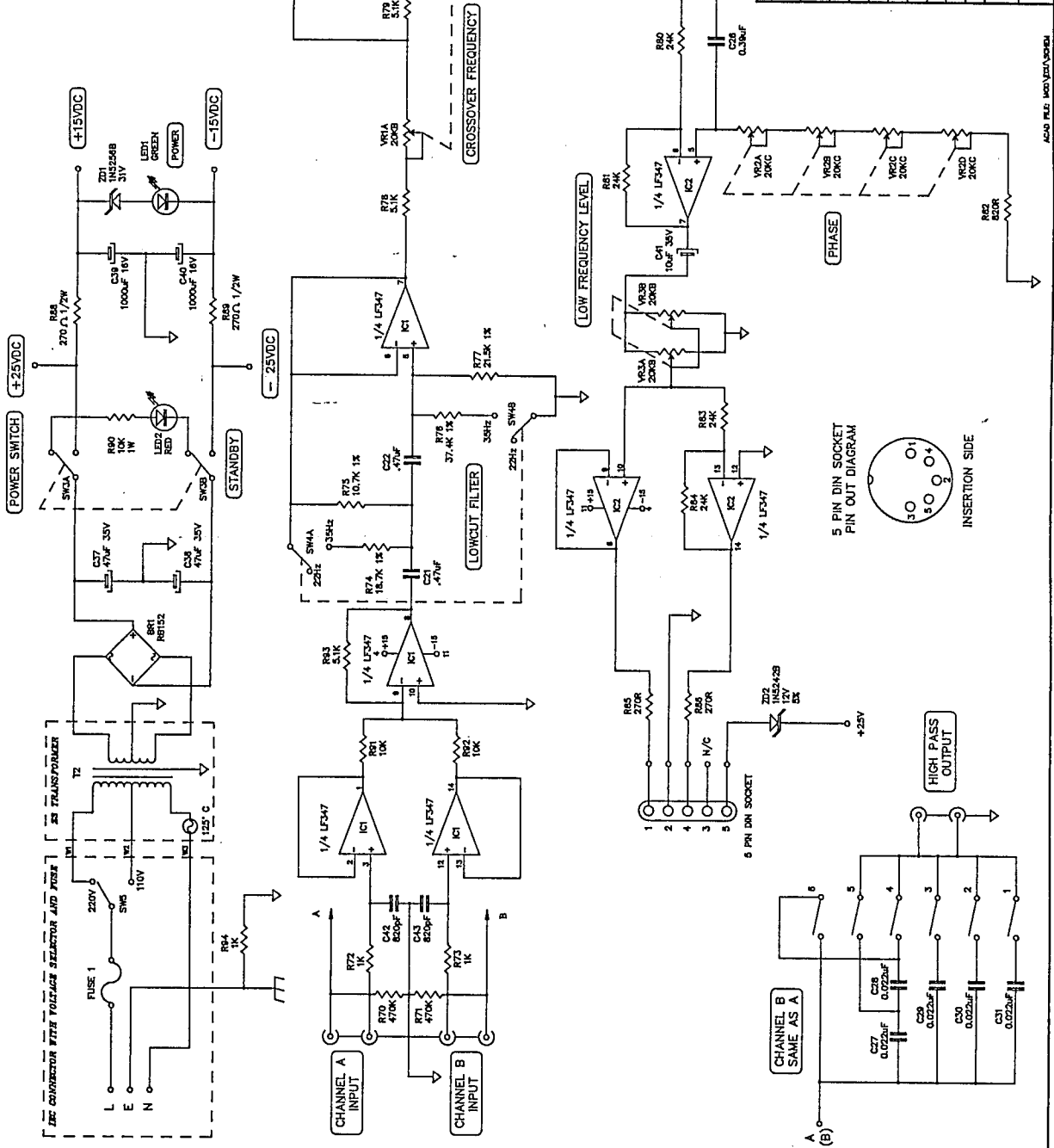
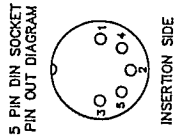


REVISIONS		DESCRIPTION	DATE	APPROVED
ECO	REV.	848 A	04-12-91	
		RELEASE FOR PRODUCTION		4-29

NOTES:
 1. ALL RESISTORS ARE IN OHMS.
 2. ALL RESISTORS 1/4 WATT, 5% CARBON FILM UNLESS OTHERWISE INDICATED



Infinity Systems Inc.
ECU, MODULUS SBWFR
 SCHEMATIC
 P/N: .048...4395B
 DWG NO: 048-4395B-01247-32B
 DRAWN BY: R. RAHL
 DATE: 04-12-91
 APPROVED: [Signature]
 MATERIAL: SEE NOTES
 FINISH: SEE NOTES
 TOLERANCES: ANG. ± = .5° FRACT. ± = 1/32
 DECIMALS: .XX ± = .01 .XXX ± = .005
REVISION: A



ASSEMBLY INSTRUCTIONS