

# KAPPA-60



## SPECIFICATIONS

### ACOUSTIC & ELECTRICAL SPECIFICATIONS:

- \* Nominal Impedance: 6-8 ohm
- \* Recommended Amp Power: 10-150 W
- \* Frequency Response: 55 Hz - 35 kHz ( $\pm 2$ dB)
- \* Sensitivity: 88 dB / 2,8V / 1 m
- \* Crossover frequency: 2,5 KHZ

### SYSTEM COMPONENTS:

- \* Cabinet: CLKAPPA60 (Not for sale)
- \* Grille: GLKAPPA60 (2408670)
- \* Woofer: PL18W017-04 170mm Woofer  
40mm voice coil
- DC Resistance: 3,1 ohm

### SYSTEM COMPONENTS: (cont'd)

- \* Tweeter: Vifa D25AG35-06 25mm  
Aluminium dome Tweeter
- DC Resistance: 4,6 ohm
- \* Crossover Network: NKAPPA60 (2708670)

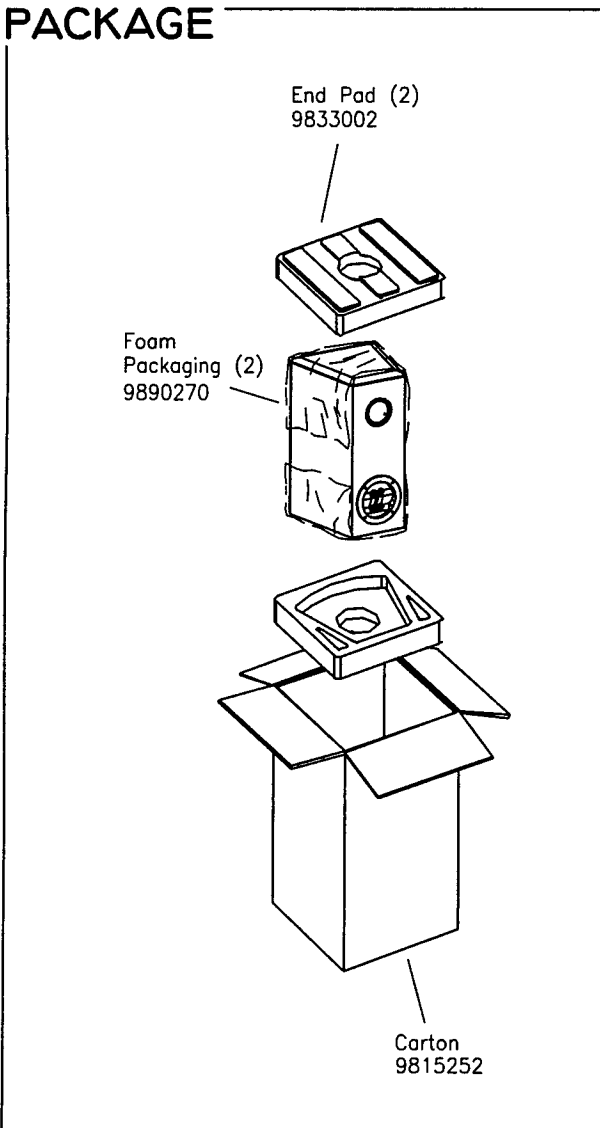
### PHYSICAL SPECIFICATIONS:

- \* Enclosure Dimensions (H.W.D): 17,3x10,2x10,4 In. D  
(440x260x265mm D)
- \* Shipping Weight: 20 lbs. (9,5 kg.)

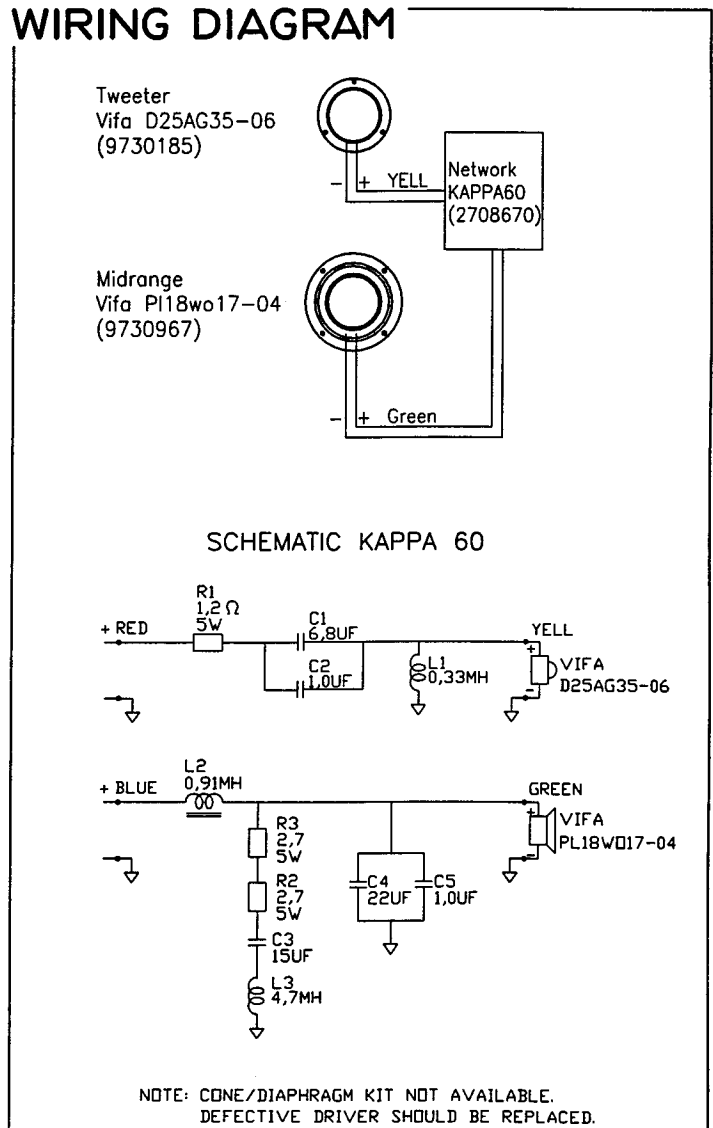
### WARRANTY INFORMATION:

- \* Refer to the Warranty Statement packed with each product

## PACKAGE



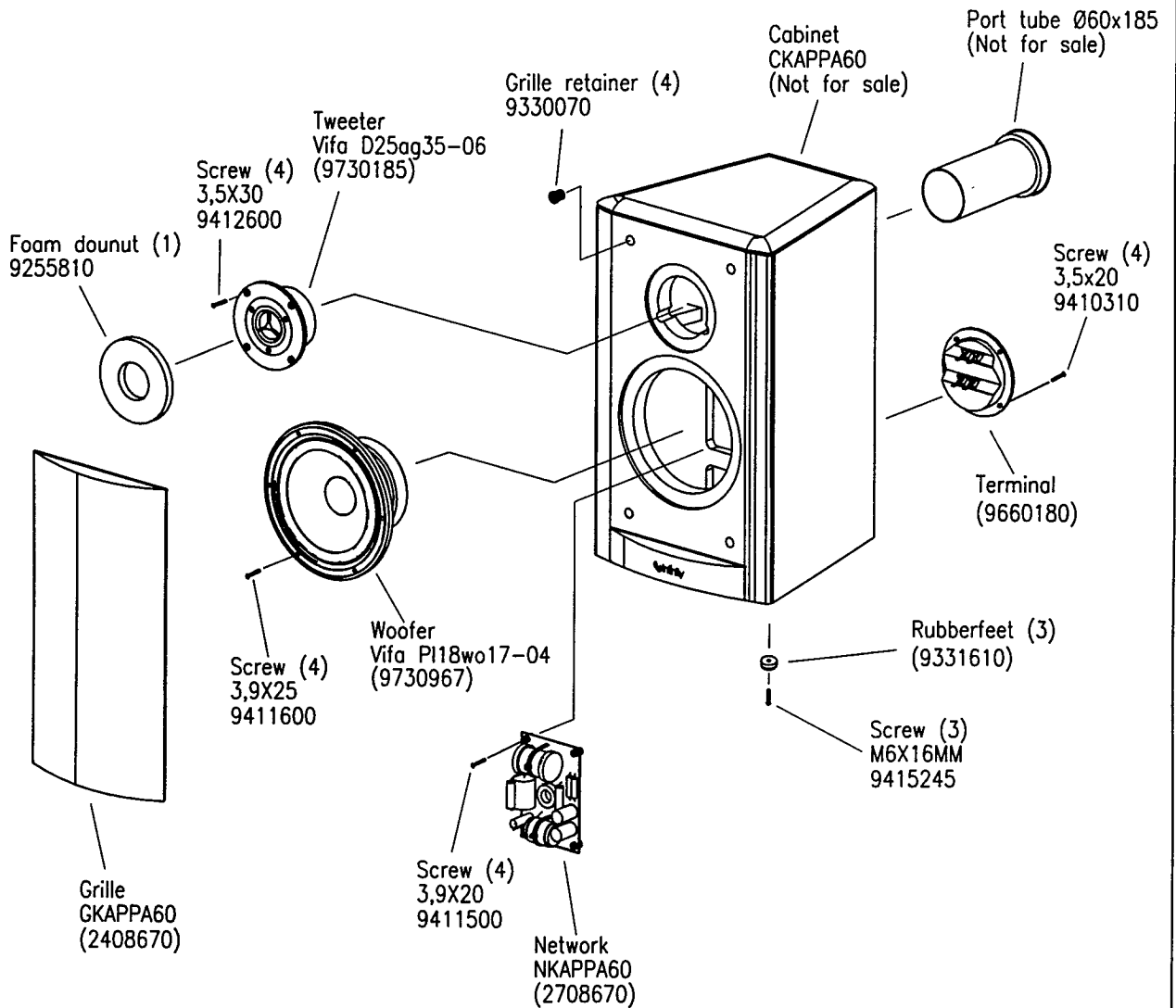
## WIRING DIAGRAM



**KAPPA-60**

# KAPPA-60

## COMPONENT EXPLODED VIEW



**KAPPA-60**