

ECO	REV.	DESCRIPTION	DATE	APPROVED
-	A	RELEASE FOR PRODUCTION	02-28-92	M.G. JI
1022	B	ADD SWITCHES, CHG VALUES AND SPECS	04-15-92	M.G. JI
1034	C	MODIFY MIDRANGE CIRCUIT	04-23-92	M.G. JI
1040	D	CHANGE NAME, CAP DZ'S, L2, L3;	05-04-92	M.G. JI
1046	E	CHANGE MIDS, TWTS WIRE LENGTHS	05-11-92	M.G. JI
1071	F	DECREASE WIRE LENGTHS OF MID AND TWT	06-15-92	M.G. JI
1102	G	CHG VALS ON ZD1, ZD2, CBI	09-15-92	M.G. JI

Bill of Material  
09-15-92

Inductors	Ref.	Value	Tol%	Amps@ DCR	DQ@1k	Type	Air Gap	Material	Size
L1	0.12mH	5	.14	5.60	SLUG	-	-	FERRITE	6x30mm
L2	0.40mH	5	.18	13.00	SLUG	-	-	IRON	10x40mm
L3	0.36mH	5	.17	12.50	SLUG	-	-	IRON	10x40mm
L4	0.60mH	5	.16	12.70	I	-	-	STEEL LAM	41x6x7mm
L5	2.50mH	5	.36	17.40	I	-	-	STEEL LAM	57x9.5x10mm
L6	0.70mH	5	.14	15.80	I	-	-	STEEL LAM	57x9.5x10mm

Capacitors

Ref.	Value	Tol%	D.F. %	<Hz>	AC Volts	Type	Brand
C1	6.0uF	5	0.1	1K	100	POLY	INFINITY
C2	66.0uF	5	6.0	1K	100	NPE	-
C3	4.0uF	5	0.1	1K	100	POLY	INFINITY
C4	42.0uF	5	6.0	1K	100	NPE	-
C5	4.0uF	5	0.1	1K	100	POLY	INFINITY
C6	21.0uF	5	6.0	1K	100	NPE	-
C7	150.0uF	5	6.0	1K	100	NPE	-

Resistors	Ref.	Value	Tol%	Watts	Type	Brand
R1	2.0 OHM	15	5	5	POTENTIOMETER	DBATA/VIOLET
R2	1.5 OHM	5	10	10	WIRE WOUND	-
R3	5.0 OHM	5	15	15	POTENTIOMETER	DBATA/VIOLET

CROSSOVER CAP: 712-5925

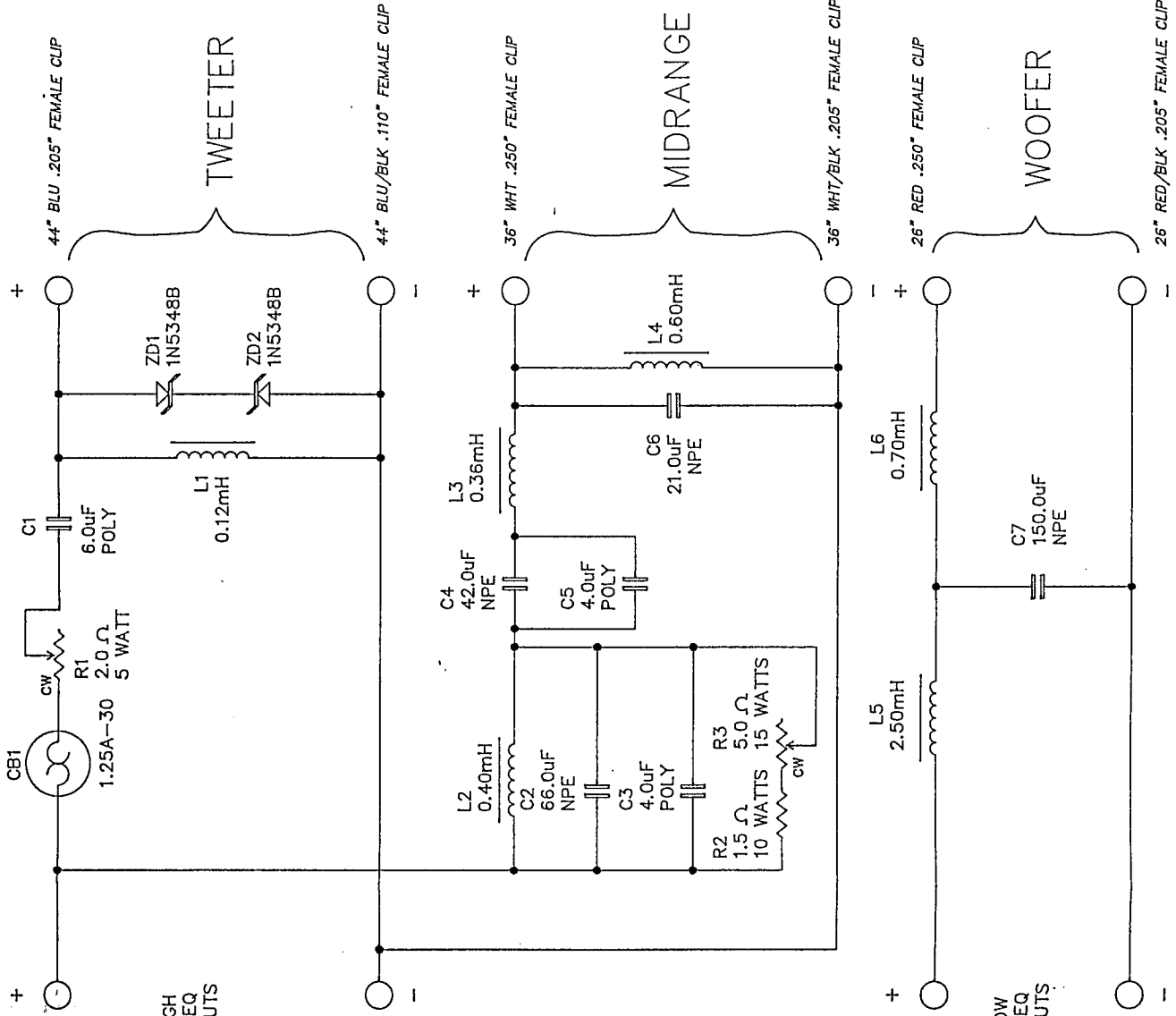
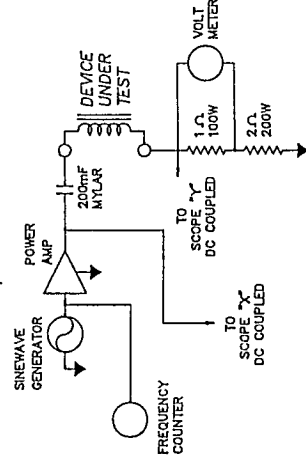
Protection Devices  
1.25A-30 CIRCUIT BREAKER (1EA)  
1N5348B ZENER DIODES (2EA)

PCB: CEM-1, 1.6mm THICKNESS, COPPER WEIGHT: 2 Oz.  
WIRES: MONSTER CABLE XPCJ OR EQUIVALENT  
CLIPS: SEE LEFT

© GenRad DigiBridge kHz.

© DC amps where Inductance changes by 10%.

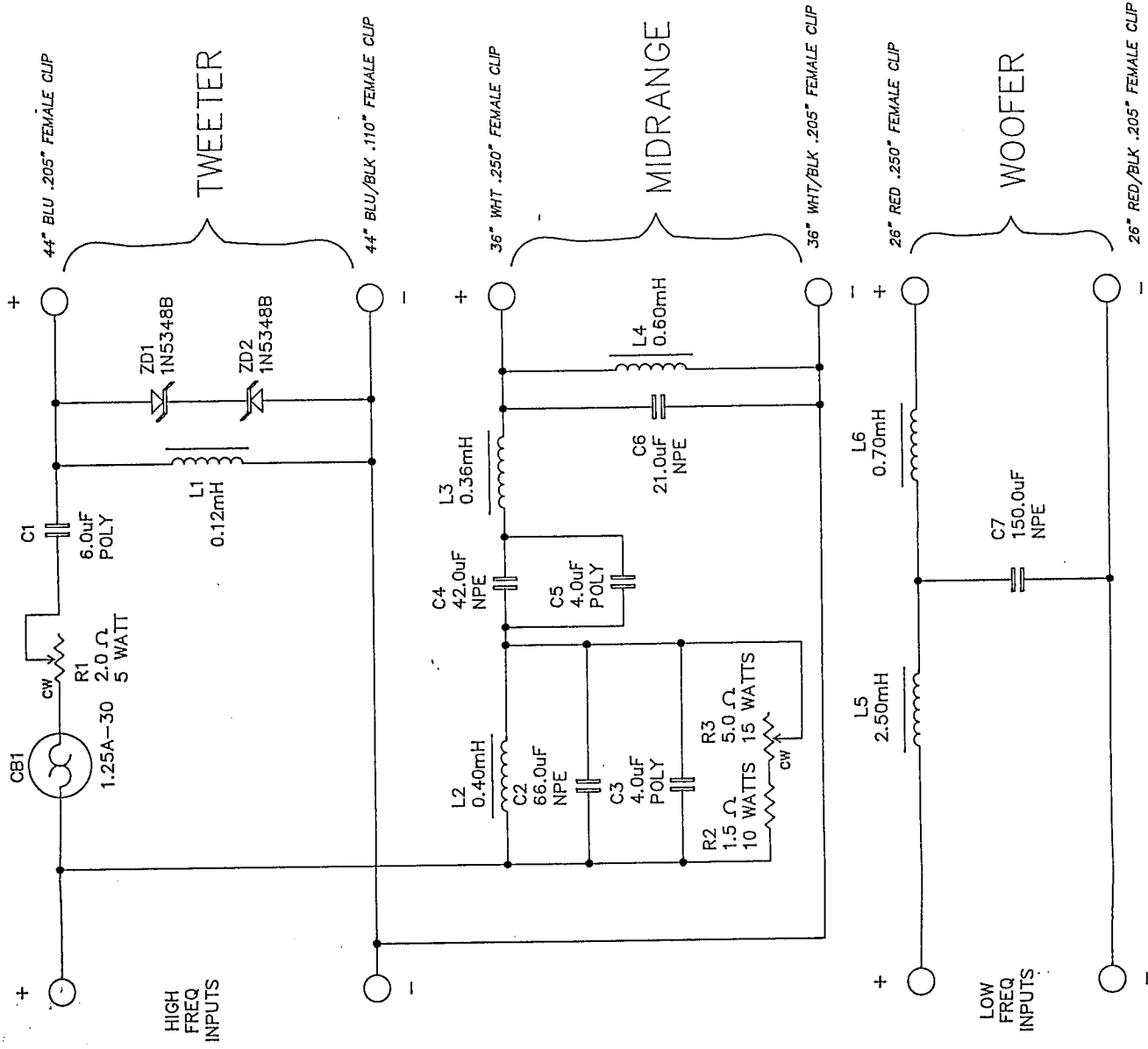
© Test set-up as shown:



SEP 22 1992

INFINITY SYSTEMS, INC. PROPRIETARY  
This document contains confidential and proprietary information that is and may not be disclosed to or duplicated for others except as authorized by Infinity Systems, Inc.

Infinity Systems Inc.	
KAPPA 7.1	
CROSSOVER SCHEMATIC (DOMESTIC)	
P/N: 015...5810	DWG NO: 015-5810-01403-398
DRAWN BY: R. RAHL	DATE: 02-28-92
APPROVED: M.G. 03-31-92	SCALE: N/A
REVISION: G PAGE 1 OF 1	



Inductors

Ref.	Value
L1	0.12mH
L2	0.40mH
L3	0.36mH
L4	0.60mH
L5	2.50mH
L6	0.70mH

Capacitors

Ref.	Value
C1	6.0uF
C2	66.0uF
C3	4.0uF
C4	42.0uF
C5	4.0uF
C6	21.0uF
C7	150.0uF

Resistors

Ref.	Value
R1	2.0 OHM
R2	1.5 OHM
R3	5.0 OHM

CROSSOVER CIR  
 Protection D.  
 1.25A-30 CIR  
 1N5348B ZENE.  
 PCB: CEM-1,  
 WIRES: MONST  
 CLIPS: SEE L

- © GenRad
- © DC amp
- © Test ses
- SINEWAVE GENERATOR

