

# EL40



## SPECIFICATIONS

### ACOUSTIC & ELECTRICAL SPECIFICATIONS:

- \* Nominal Impedance: 6 ohm
- \* Recommended Amp Power: 15-150W
- \* Frequency Response: 40 Hz - 20 kHz ( $\pm 3$ dB)
- \* Sensitivity: 92 dB / 2,83V / 1 m
- \* Crossover frequency: 600HZ / 3 kHz

### SYSTEM COMPONENTS:

- \* Cabinet: CEL40 (Not for sale)
- \* Grille: GEL40 (2408630)
- \* Woofer: HT210JL18 220mm Woofer  
25mm voice coil
- DC Resistance: 11 ohm
- \* Midrange: HT110JL10 110mm Midrange  
25mm voice coil

### SYSTEM COMPONENTS: (cont'd)

- DC Resistance: 4,2 ohm
- \* Tweeter: TW010IY3 10mm  
Titanium Dome Tweeter
- DC Resistance: 5,5 ohm
- \* Crossover Network: NEL40 (2708630)

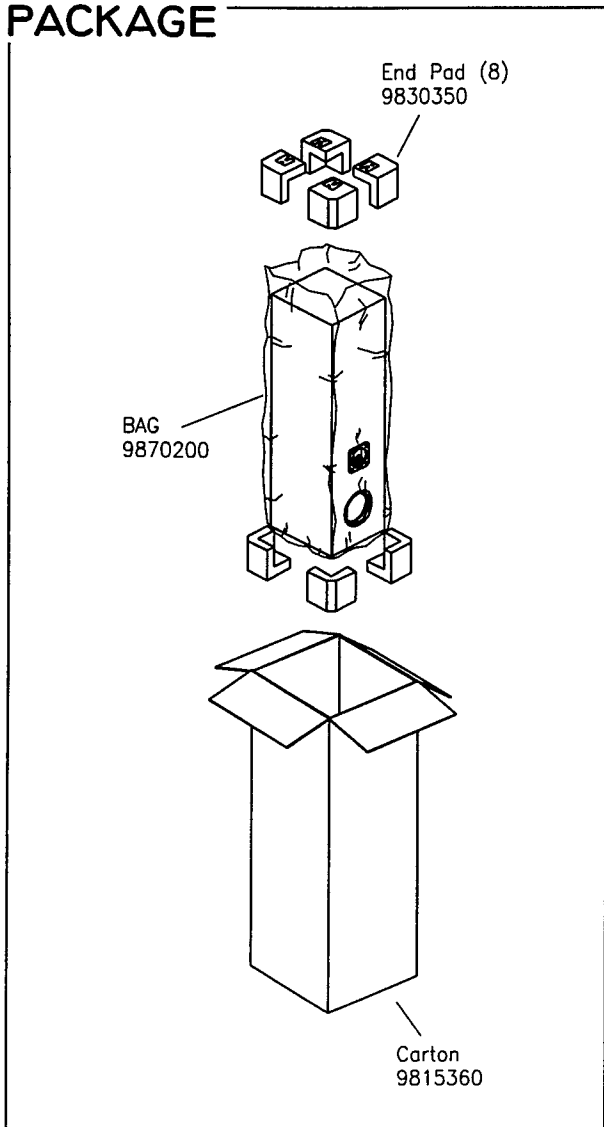
### PHYSICAL SPECIFICATIONS:

- \* Enclosure Dimensions (H.W.D): 33,6x9,7x11,6 in. D  
(860x246x295mm D)
- \* Shipping Weight: 27 lbs. (17 kg.)

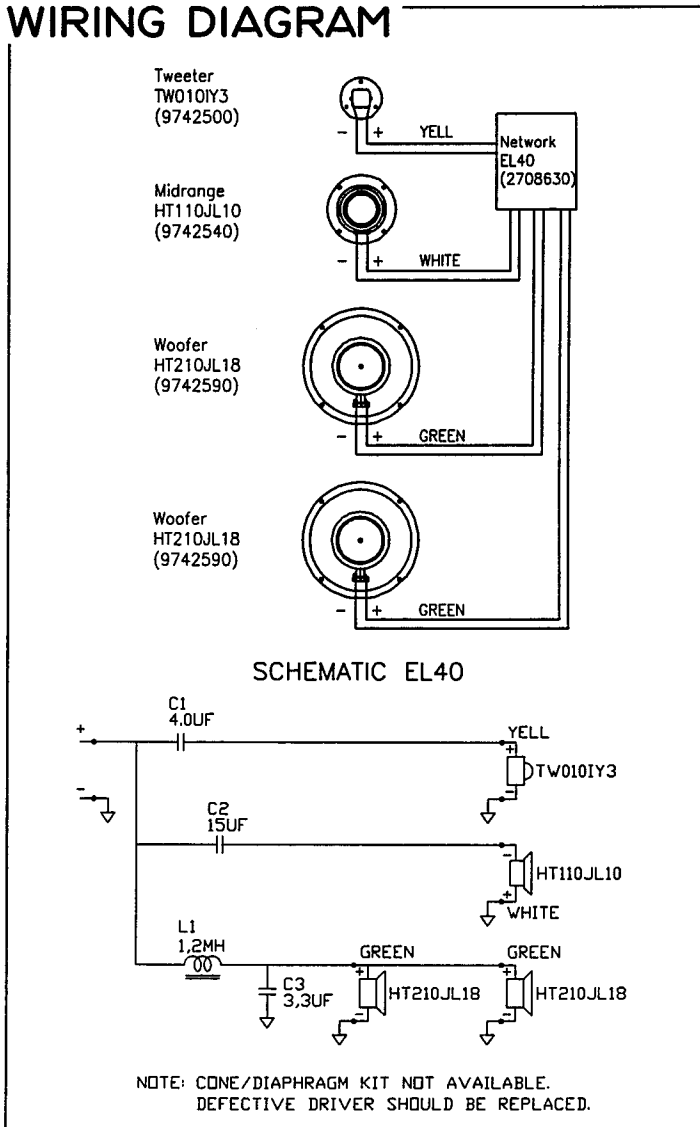
### WARRANTY INFORMATION:

- \* Refer to the Warranty Statement packed with each product

## PACKAGE



## WIRING DIAGRAM



**EL40**

Valid from serial no. 01001  
Rev. 28/3-1996

## COMPONENT EXPLODED VIEW

