

# EL30

## SPECIFICATIONS



**ACOUSTIC & ELECTRICAL SPECIFICATIONS:**

- \* Nominal Impedance: 8 ohm
- \* Recommended Amp Power: 15-100W
- \* Frequency Response: 50 Hz - 20 kHz ( $\pm 3$ dB)
- \* Sensitivity: 91 dB / 2,83V / 1 m
- \* Crossover frequency: 600HZ / 3 kHz

**SYSTEM COMPONENTS:**

- \* Cabinet: CEL30 (Not for sale)
- \* Grille: GEL30 (2408590)
- \* Woofer: HT240JL12 240mm Woofer  
30mm voice coil
- DC Resistance: 5 ohm
- \* Midrange: HT110JL10 110mm Midrange  
25mm voice coil

**SYSTEM COMPONENTS: (cont'd)**

- DC Resistance: 4,2 ohm
- \* Tweeter: TW010IY3 10mm  
Dome Tweeter
- DC Resistance: 5,5 ohm
- \* Crossover Network: NEL30 (2708590)

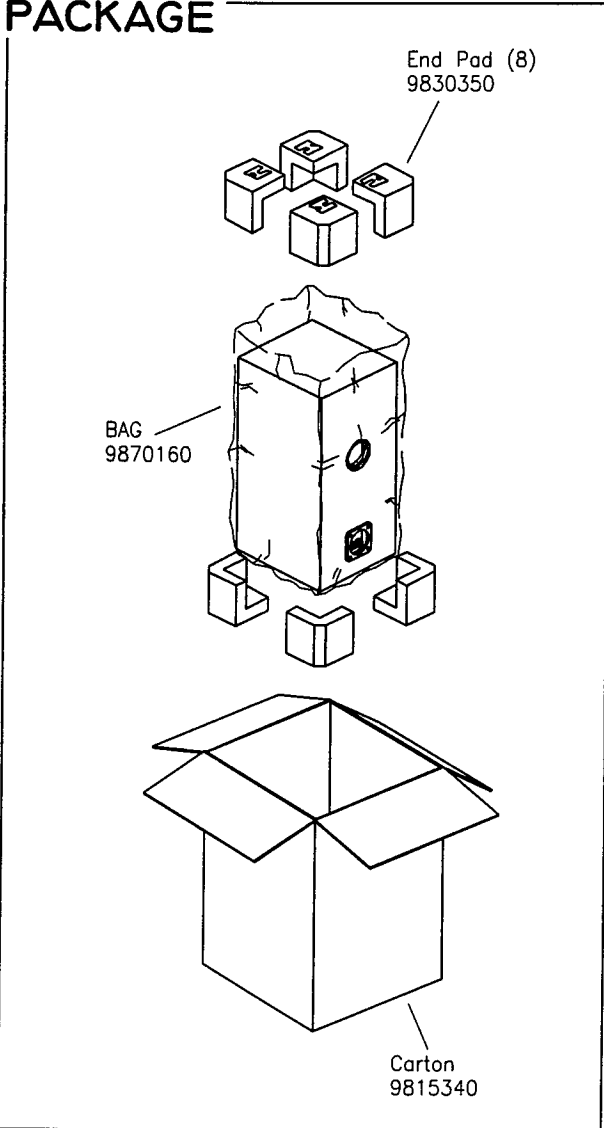
**PHYSICAL SPECIFICATIONS:**

- \* Enclosure Dimensions (H.W.D): 22,4x11,2x11,6 in. D  
(570x284x295mm D)
- \* Shipping Weight: 31 lbs. (14 kg.)

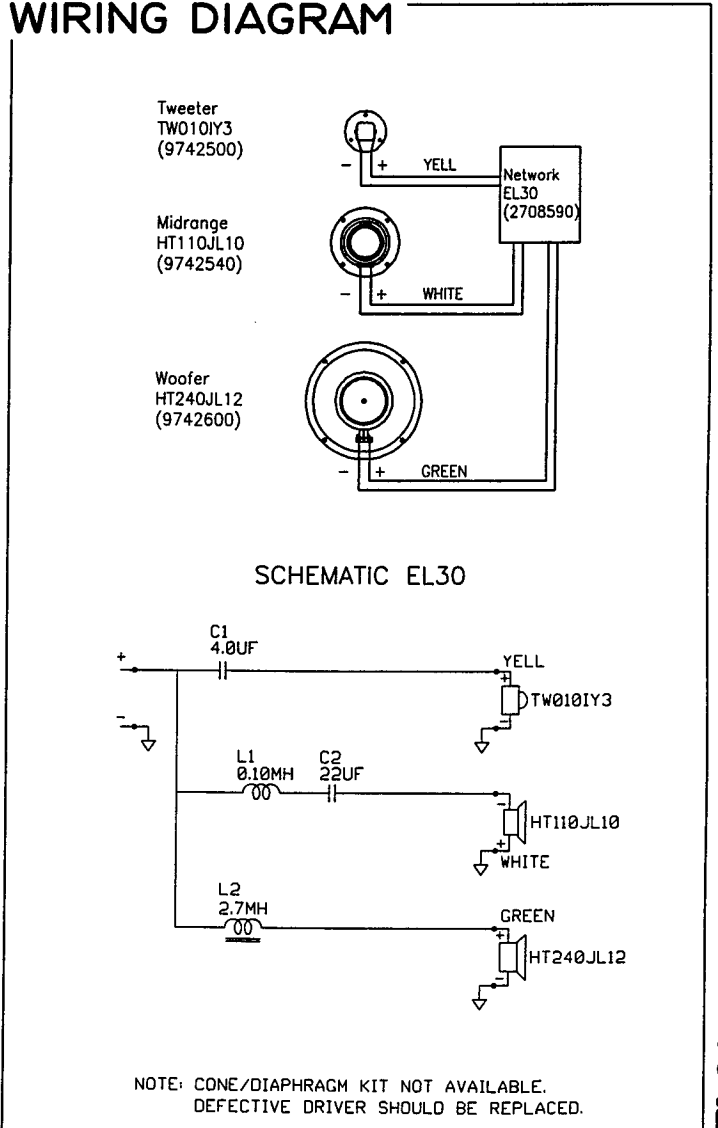
**WARRANTY INFORMATION:**

- \* Refer to the Warranty Statement packed with each product

### PACKAGE



### WIRING DIAGRAM



**EL30**

Valid from serial no. 01001  
Rev. 28/3-1996

## COMPONENT EXPLODED VIEW

