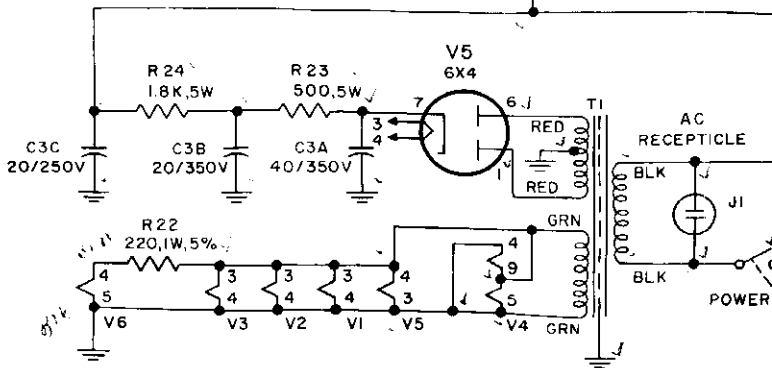
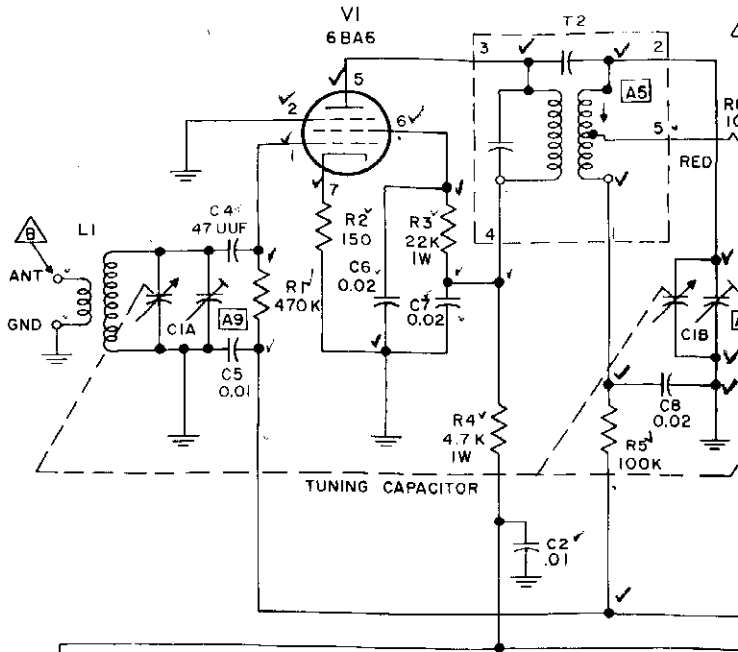


EICO

MODEL HFT 94 HIGH FIDELITY AM TUNER

EICO

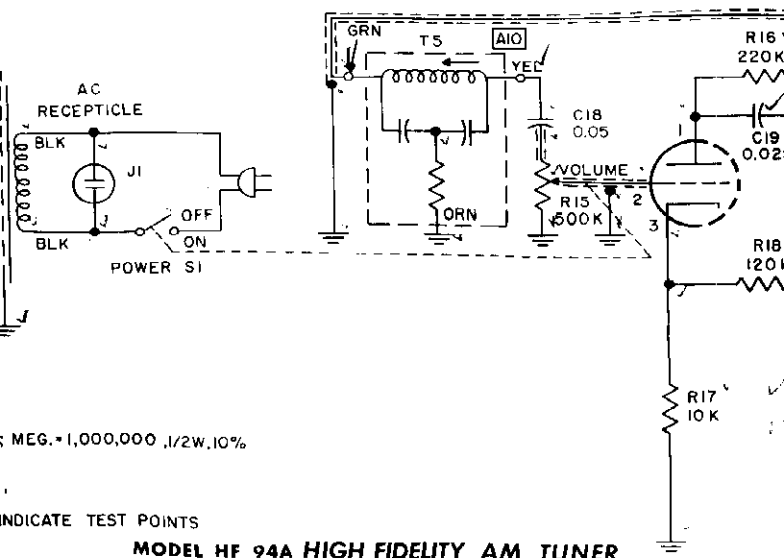
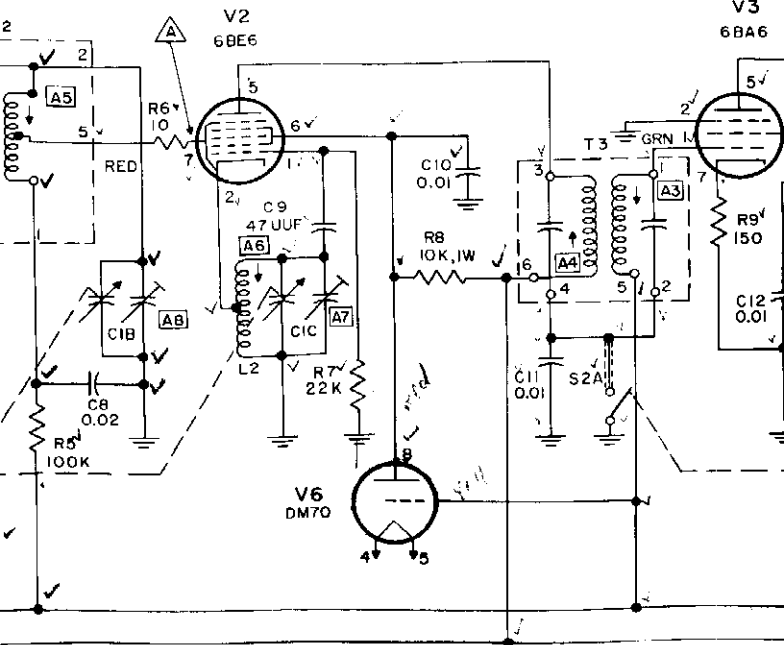




NOTES:

1. UNLESS OTHERWISE SHOWN:
RESISTOR VALUES ARE OHMS ; K = 1,000 ; MEG. = 1,000,000 ;
CAPACITOR VALUES ARE UF.
2. CIA, B, C IS A 3-GANG VARIABLE CAPACITOR.
3. [A] = INDICATES ALIGNING POINTS \triangle = INDICATE TEST POINT

MOD

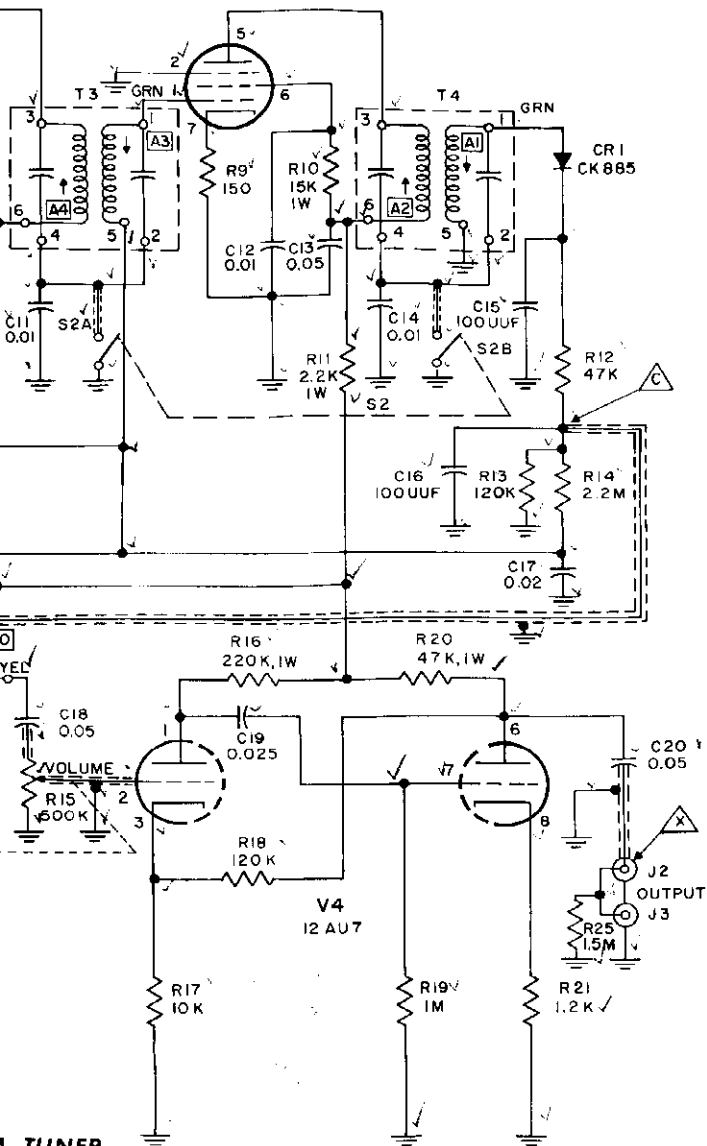


MEG. = 1,000,000, 1/2W, 10%

INDICATE TEST POINTS

MODEL HF 94A HIGH FIDELITY AM TUNER

V3
6BA6



TUNER