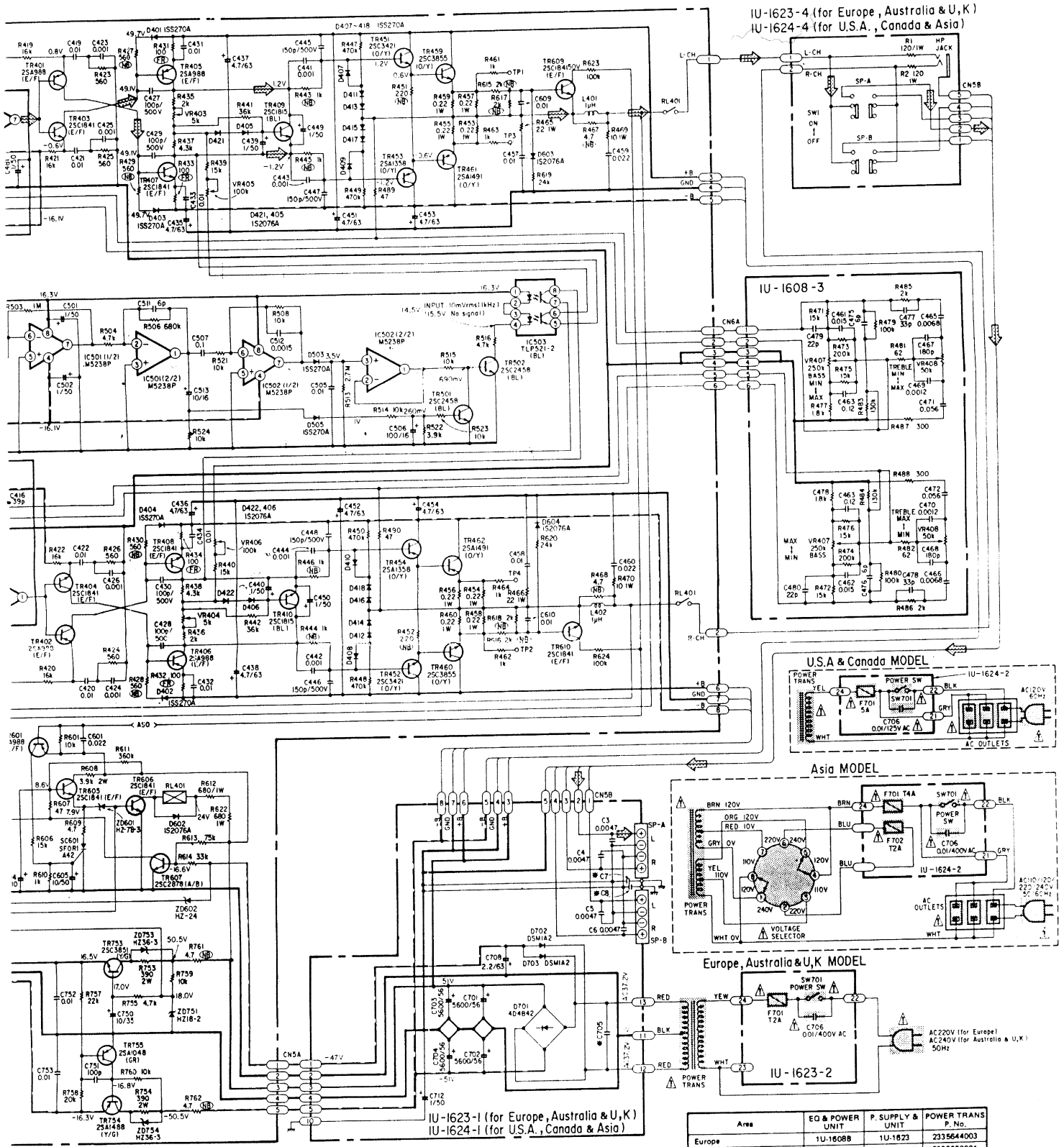
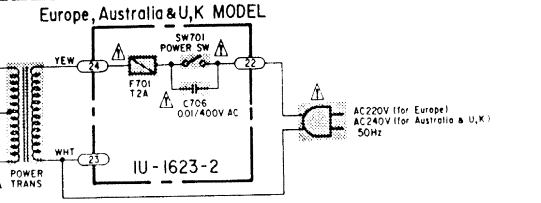
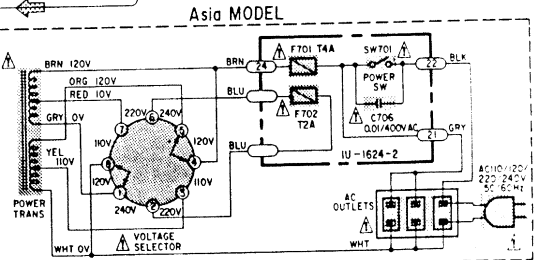
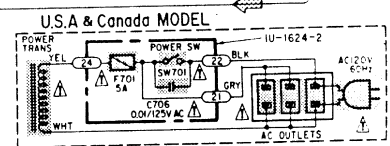


⚠ Means important safety item, which must be replaced, when necessary, by a part specified or meeting the specification by the manufacturer.



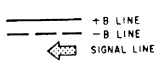
IU-1623-4 (for Europe, Australia & U.K.)
IU-1624-4 (for U.S.A., Canada & Asia)

IU-1608-3



IU-1623-1 (for Europe, Australia & U.K.)
IU-1624-1 (for U.S.A., Canada & Asia)

	R301	L301	C304	C305	C309	C311	C7	C11
	R302	L302	C306	C310	C312	C705	C8	C12
Europe								
Australia & U.K.	4.7k	150µH	0.01	180p	220p	56p	0.1	250VAC
U.S.A.							0.0047	
Canada	JUMPER	Not Used	Not Used	100p	Not Used	Not Used	Not Used	Not Used
Asia						500		



NOTES
ALL RESISTANCE VALUES IN OHM k = 1,000 OHM M = 1,000,000 OHM
ALL CAPACITANCE VALUES IN MICRO FARAD P = MICRO-MICRO FARAD
EACH VOLTAGE AND CURRENT ARE MEASURED AT NO SIGNAL INPUT CONDITION
CIRCUIT AND PARTS ARE SUBJECT TO CHANGE WITHOUT PRIOR NOTICE.

1

2

3

4

5

A

B

C

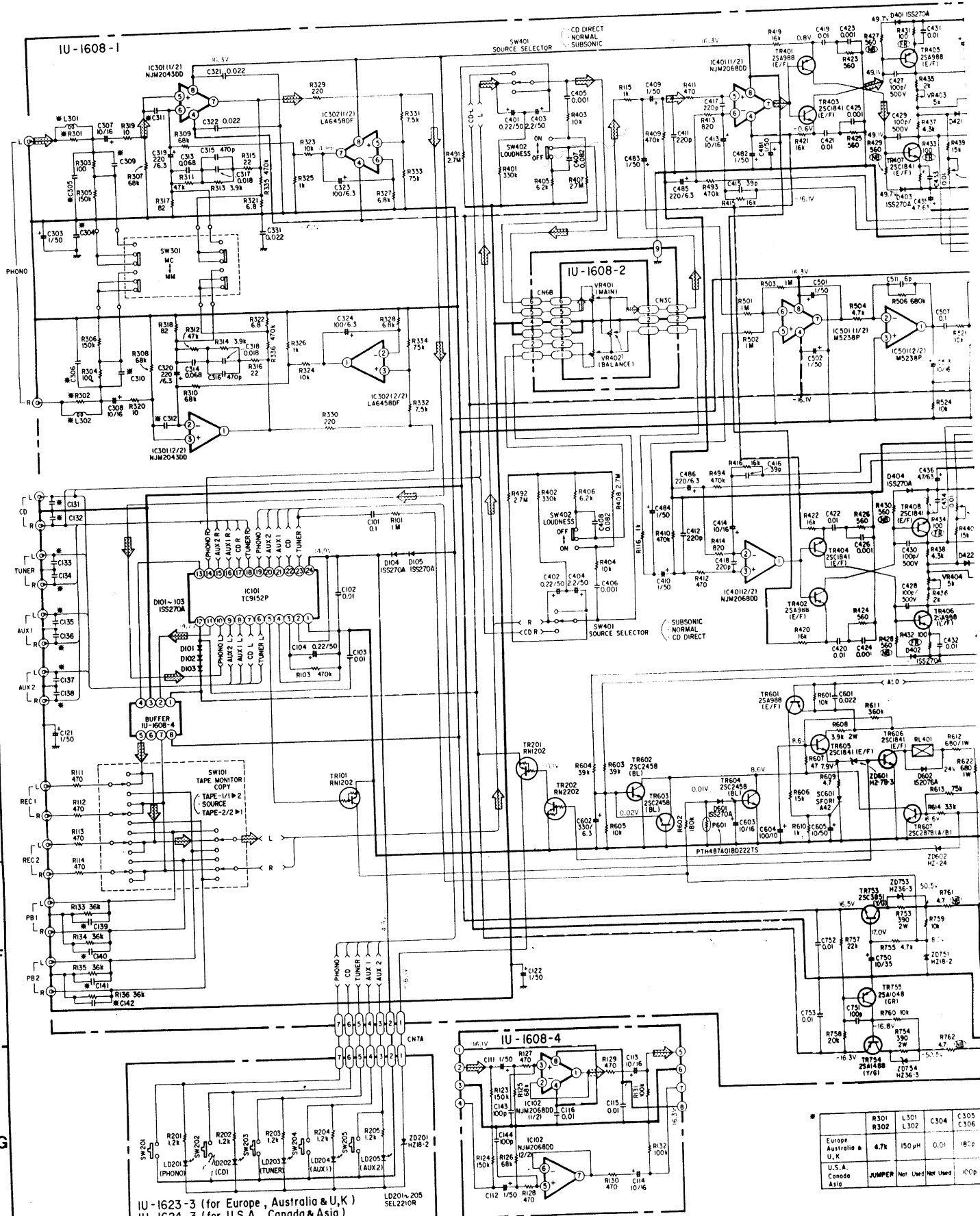
D

E

F

G

H



IU-1623-3 (for Europe, Australia & U.K)
 IU-1624-3 (for U.S.A., Canada & Asia)

	R301	L301	C304	C305
Europe	4.7k	150µH	0.01	100p
Australia				
U.S.A.				
Canada				
Asia				