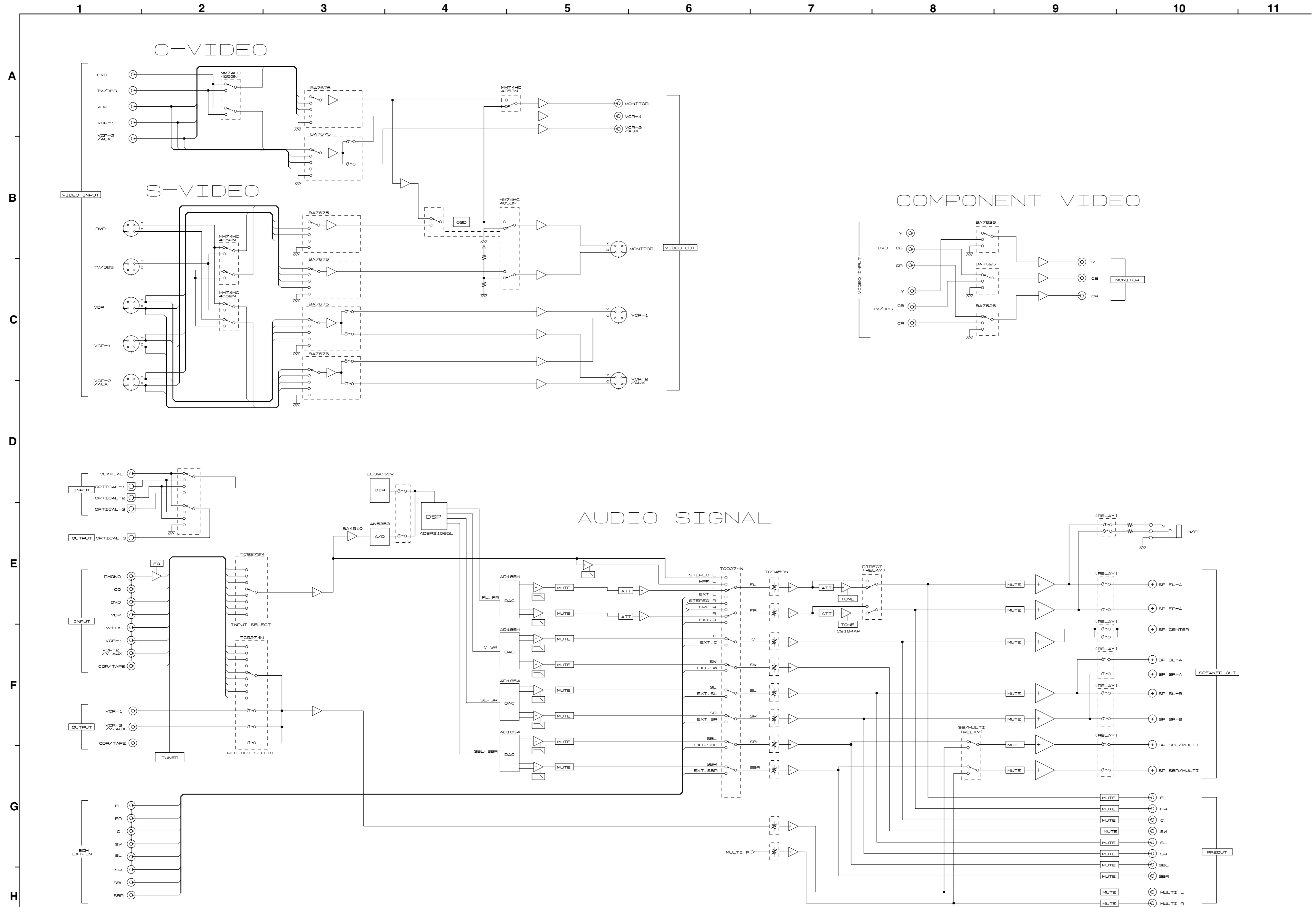


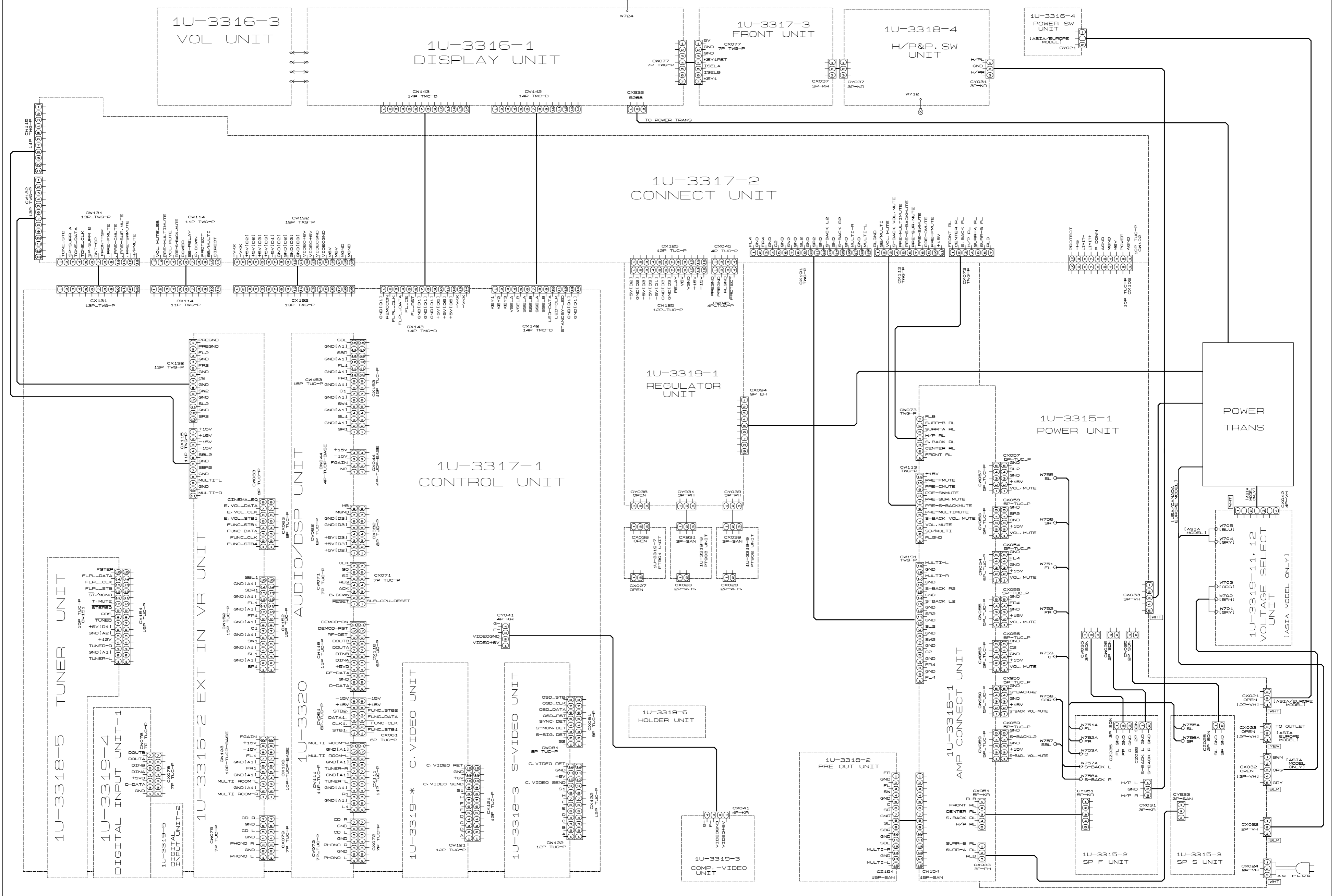
BLOCK DIAGRAM



WIRING DIAGRAM

1 2 3 4 5 6 7 8 9 10 11

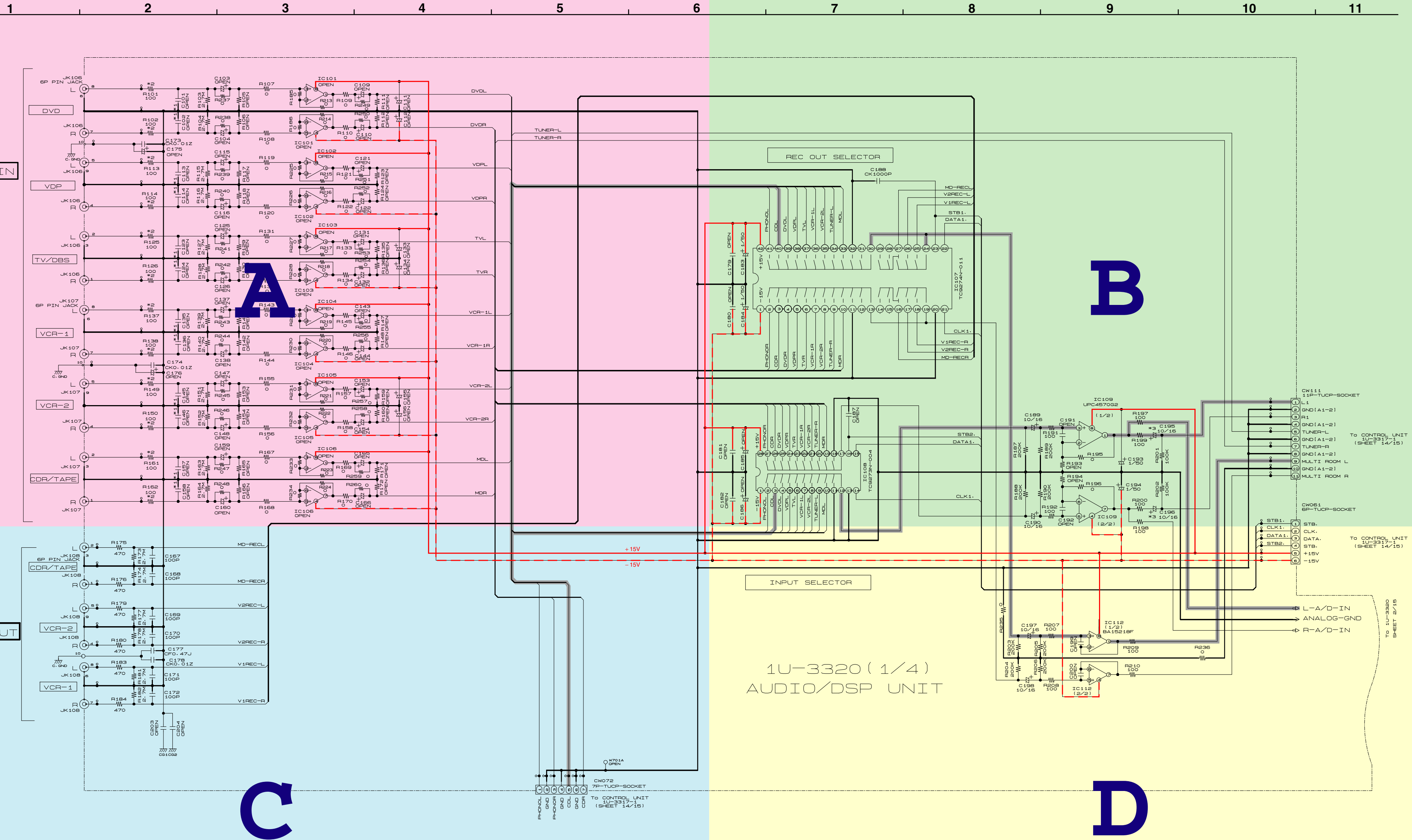
AVR3801 WIRING DIAGRAM



A
B
C
D
E
F
G
H

avr381wd.c1r/001.sht

SCHEMATIC DIAGRAMS (1/15)



	*1	*2	*3
	0.0, 101, 102, 123, 124, 145, 146, 147, 158	R101, 102, 103, 126, 137, 138, 149, 150, 161, 162	C195, 196
*USA			
CANADA			
ASIA	OPEN	OPEN	10/15
HONG KONG			
CHINA			
EUROPE	330P	470	100/15
TAIWAN R. O. C.	330P	470	10/15

WARNING:
Parts marked with this symbol Δ have critical characteristics. Use ONLY replacement parts recommended by the manufacturer.

CAUTION:
Before returning the unit to the customer, make sure you make either (1) a leakage current check or (2) a line to chassis resistance check. If the leakage current exceeds 0.5 millamps, or if the resistance from chassis to either side of the power card is less than 460 kohms, the unit is defective.

WARNING:
DO NOT return the unit to the customer until the problem is located and corrected.

1U-3320 (1/4)
AUDIO/DSP UNIT

— + B LINE
- - - - - B LINE
— SIGNAL

SCHEMATIC DIAGRAMS (1/15)
1U-3320 (1/4) AUDIO/DSP UNIT

SCHEMATIC DIAGRAMS (1/15)

1

2

3

4

5

6

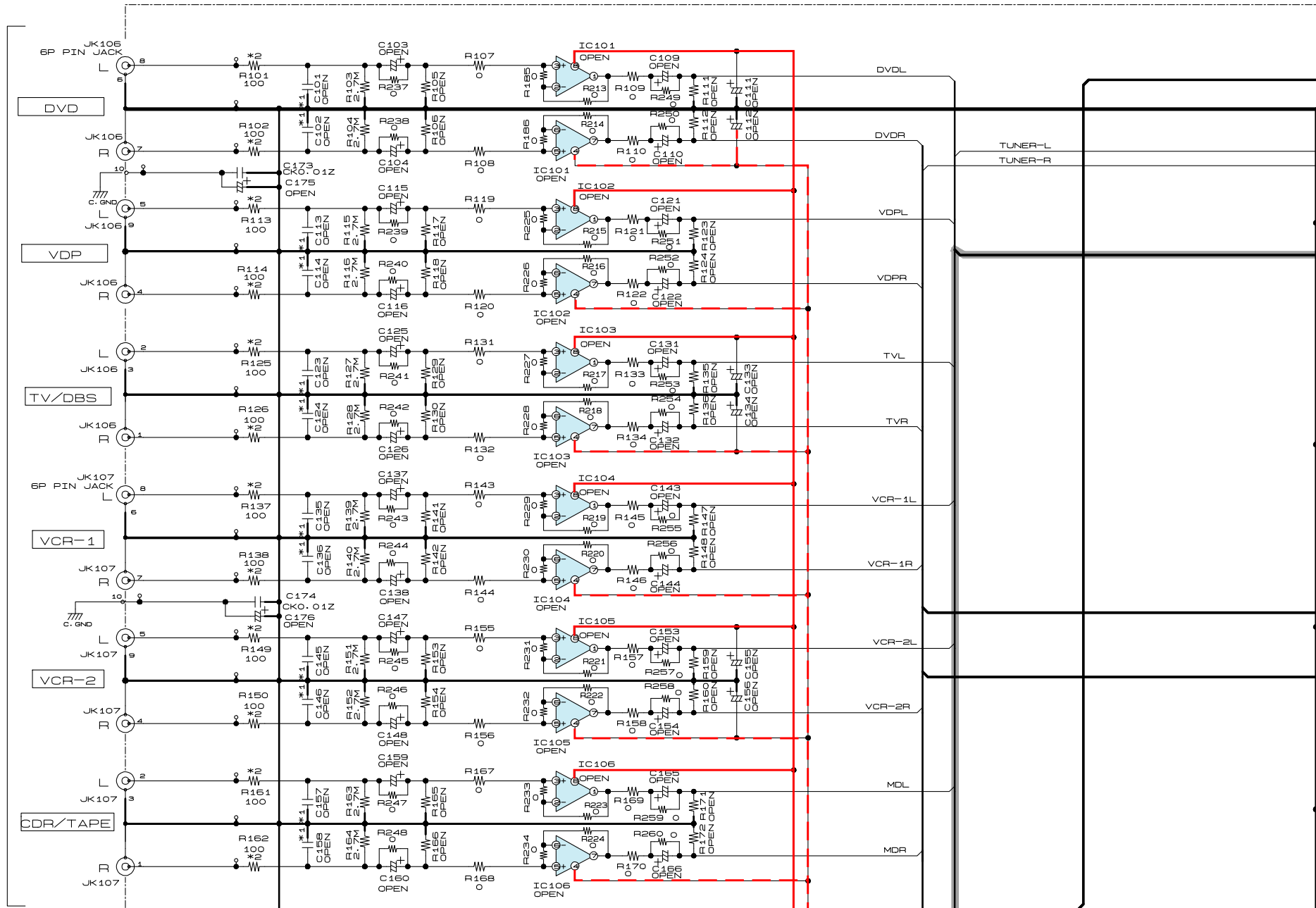
A

B

C

D

IN



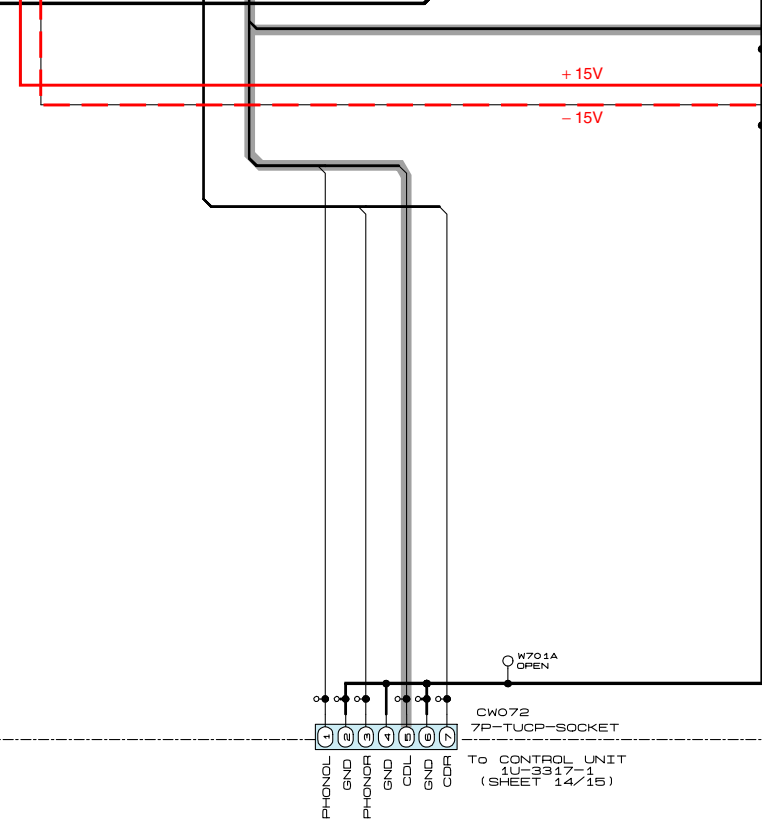
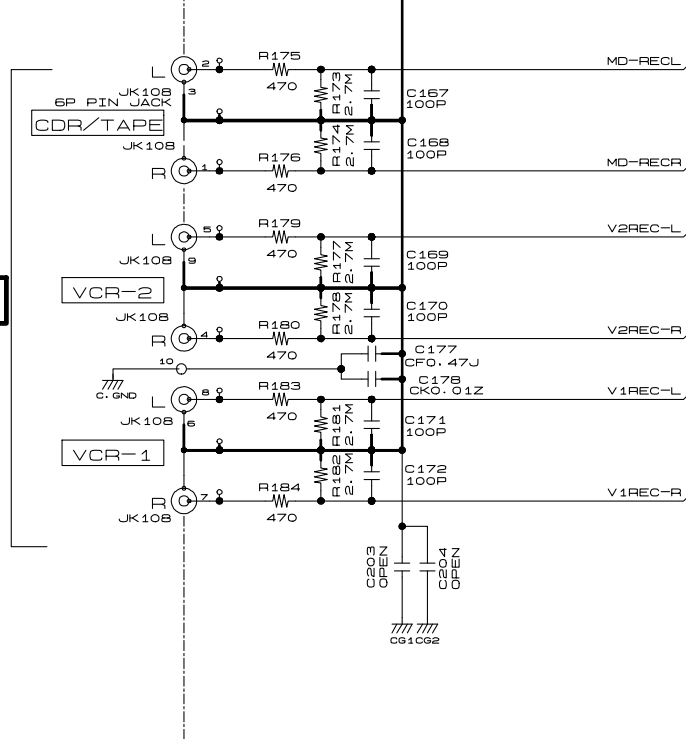
E

F

G

H

OUT





	*1	*2	*3
	C101, 102, 113, 114 C123, 124, 135, 136 C145, 146, 157, 158	R101, 102, 113, 114 R125, 126, 137, 138 R149, 150, 161, 162	C195, 196
*USA CANADA ASIA HONG KONG CHINA	OPEN	OPEN	10/16
EUROPE	330P	470	100/16
TAIWAN R. O. C	330P	470	10/16

NOTICE

ALL RESISTANCE VALUES IN OHM. k=1,000 OHM M=1,000,000 OHM
 ALL CAPACITANCE VALUES IN MICRO FARAD. P=MICRO-MICRO FARAD
 EACH VOLTAGE AND CURRENT ARE MEASURED AT NO SIGNAL INPUT
 CONDITION.
 CIRCUIT AND PARTS ARE SUBJECT TO CHANGE WITHOUT PRIOR
 NOTICE.

WARNING:

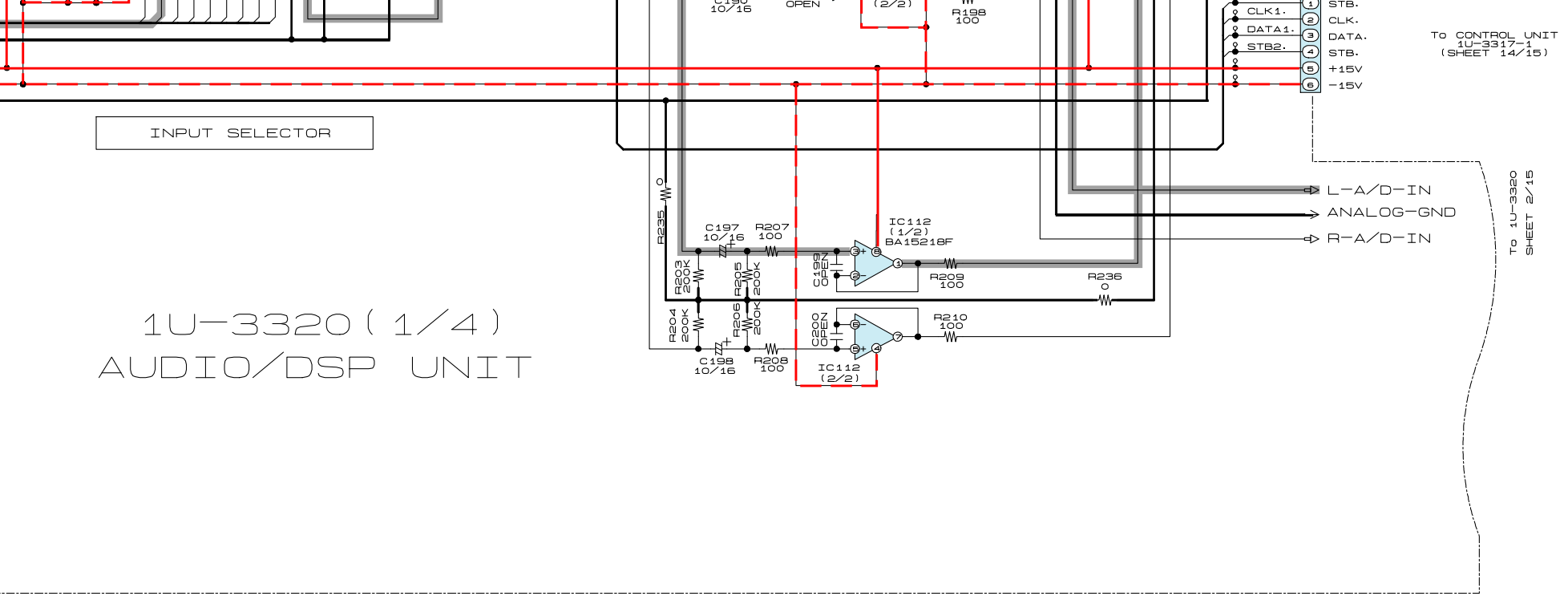
Parts marked with this symbol   have critical characteristics.
 Use ONLY replacement parts recommended by the manufacturer.

CAUTION:

Before returning the unit to the customer, make sure you make either (1) a leakage current check or (2) a line to chassis resistance check. If the leakage current exceeds 0.5 milliamps, or if the resistance from chassis to either side of the power card is less than 460 kohms, the unit is defective.

WARNING:

DO NOT return the unit to the customer until the problem is located and corrected.



1U-3320 (1/4)
AUDIO/DSP UNIT

- + B LINE
- - - - B LINE
- SIGNAL

SCHEMATIC DIAGRAMS (1/15)
1U-3320 (1/4) AUDIO/DSP UNIT

SCHEMATIC DIAGRAMS (2/15)

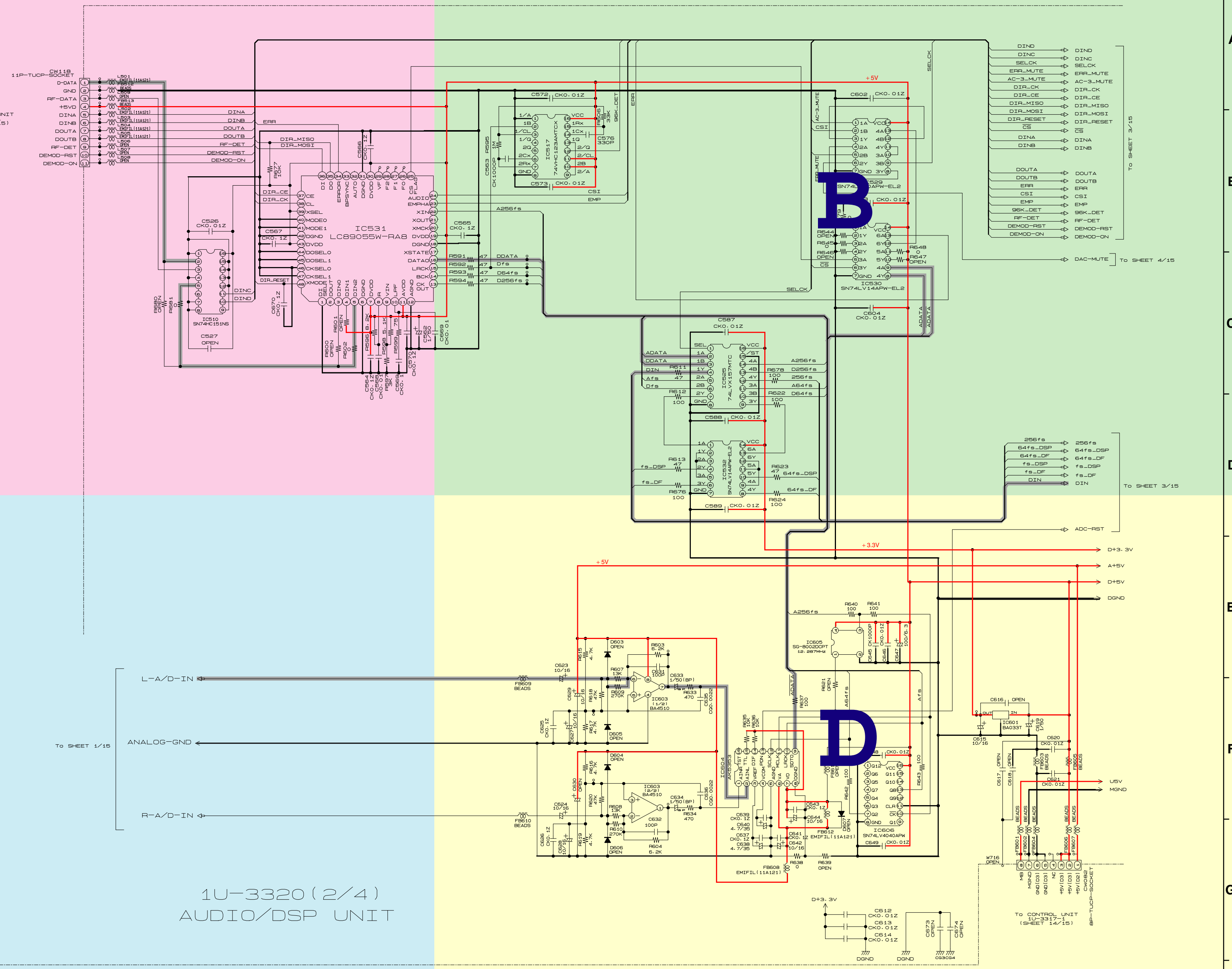
1 2 3 4 5 6 7 8 9 10 11

A

B

C

D



TO CONTROL UNIT 1U-3317 (SHEET 14/15)

TO SHEET 3/15

TO SHEET 3/15

TO SHEET 1/15

1U-3320 (2/4) AUDIO/DSP UNIT

NOTICE
 ALL RESISTANCE VALUES IN OHM. K=1,000 OHM M=1,000,000 OHM
 ALL CAPACITANCE VALUES IN MICRO FARAD. P=MICRO-MICRO FARAD
 EACH VOLTAGE AND CURRENT ARE MEASURED AT NO SIGNAL INPUT CONDITION.
 CIRCUIT AND PARTS ARE SUBJECT TO CHANGE WITHOUT PRIOR NOTICE.

WARNING:
 Parts marked with this symbol Δ have critical characteristics.
 Use ONLY replacement parts recommended by the manufacture.

CAUTION:
 Before returning the unit to the customer, make sure you make either (1) a leakage current check or (2) a line to chassis resistance check. If the leakage current exceeds 0.5 milliamps, or if the resistance from chassis to either side of the power card is less than 460 kohms, the unit is defective.

WARNING:
 DO NOT return the unit to the customer until the problem is located and corrected.

— + B LINE
 — SIGNAL

SCHEMATIC DIAGRAMS (2/15)
 1U-3320 (2/4) AUDIO/DSP UNIT

SCHEMATIC DIAGRAMS (2/15)

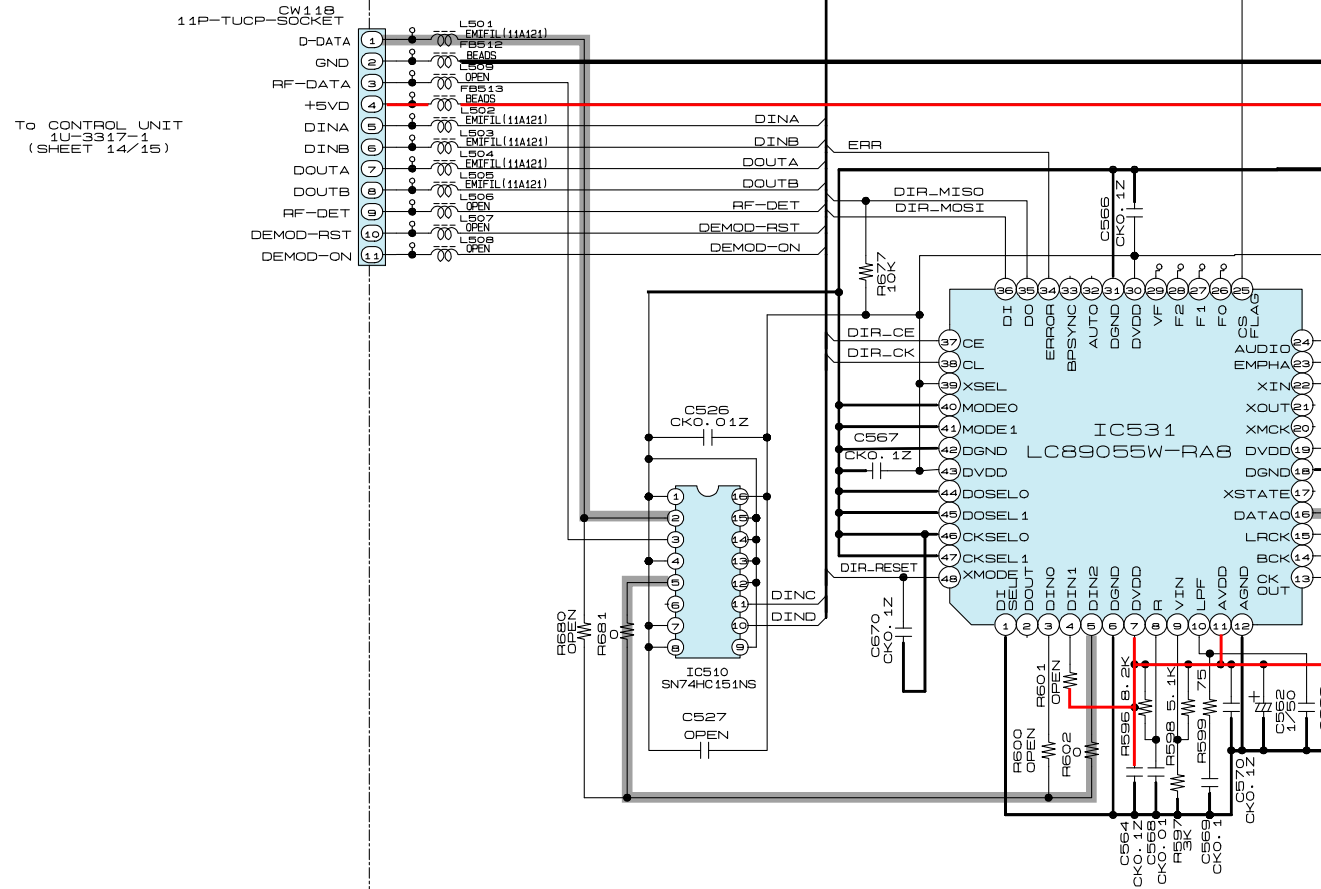
1

2

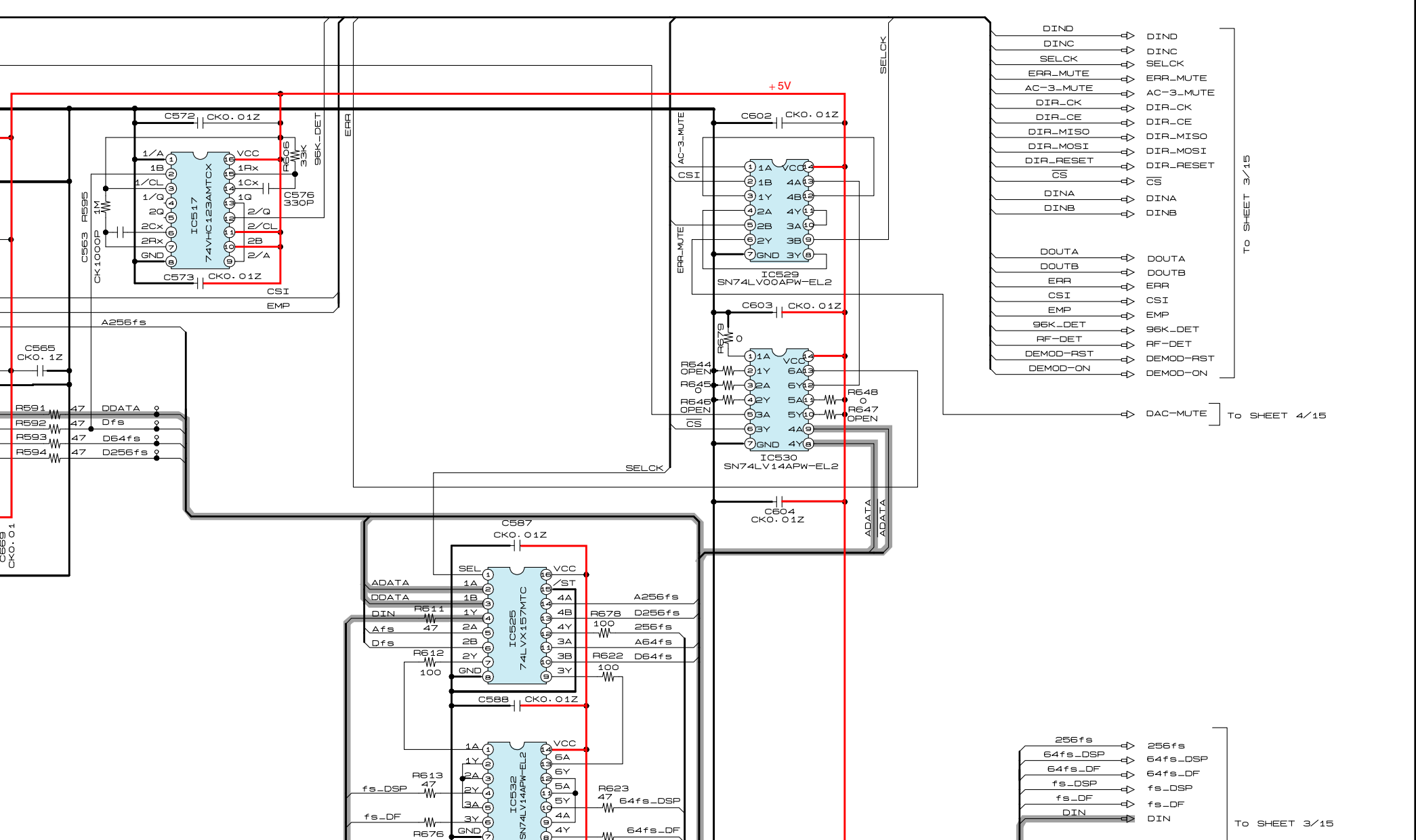
3

4

5



6 7 8 9 10 11



- DIND → DIND
- DINC → DINC
- SELCK → SELCK
- ERR_MUTE → ERR_MUTE
- AC-3_MUTE → AC-3_MUTE
- DIR_ CK → DIR_ CK
- DIR_ CE → DIR_ CE
- DIR_ MISO → DIR_ MISO
- DIR_ MOSI → DIR_ MOSI
- DIR_ RESET → DIR_ RESET
- CS → CS
- DINA → DINA
- DINB → DINB
- DOUTA → DOUTA
- DOUTB → DOUTB
- ERR → ERR
- CSI → CSI
- EMP → EMP
- 96K_DET → 96K_DET
- RF_DET → RF_DET
- DEMOD-RST → DEMOD-RST
- DEMOD-ON → DEMOD-ON

To SHEET 3/15

To SHEET 4/15

To SHEET 3/15

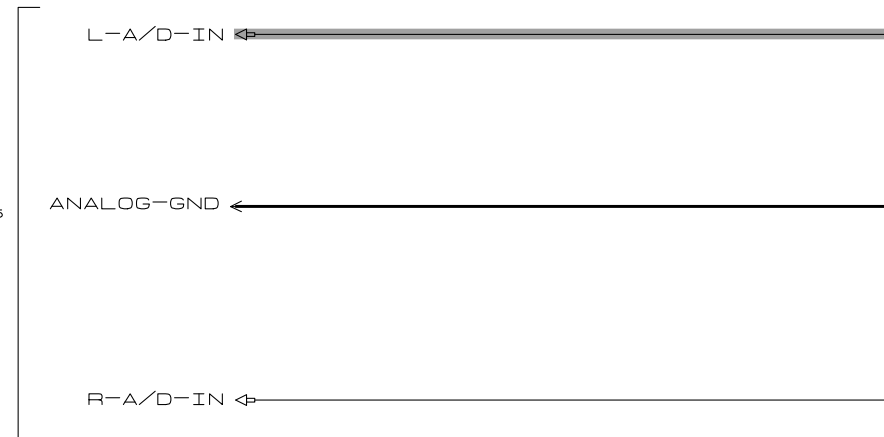
A

B

C

D


To SHEET 1/15



NOTICE

ALL RESISTANCE VALUES IN OHM. k=1,000 OHM M=1,000,000 OHM
ALL CAPACITANCE VALUES IN MICRO FARAD. P=MICRO-MICRO FARAD
EACH VOLTAGE AND CURRENT ARE MEASURED AT NO SIGNAL INPUT
CONDITION.
CIRCUIT AND PARTS ARE SUBJECT TO CHANGE WITHOUT PRIOR
NOTICE.

WARNING:

Parts marked with this symbol  have critical characteristics.
Use ONLY replacement parts recommended by the manufacture.

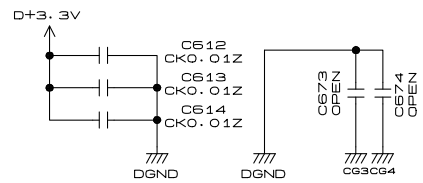
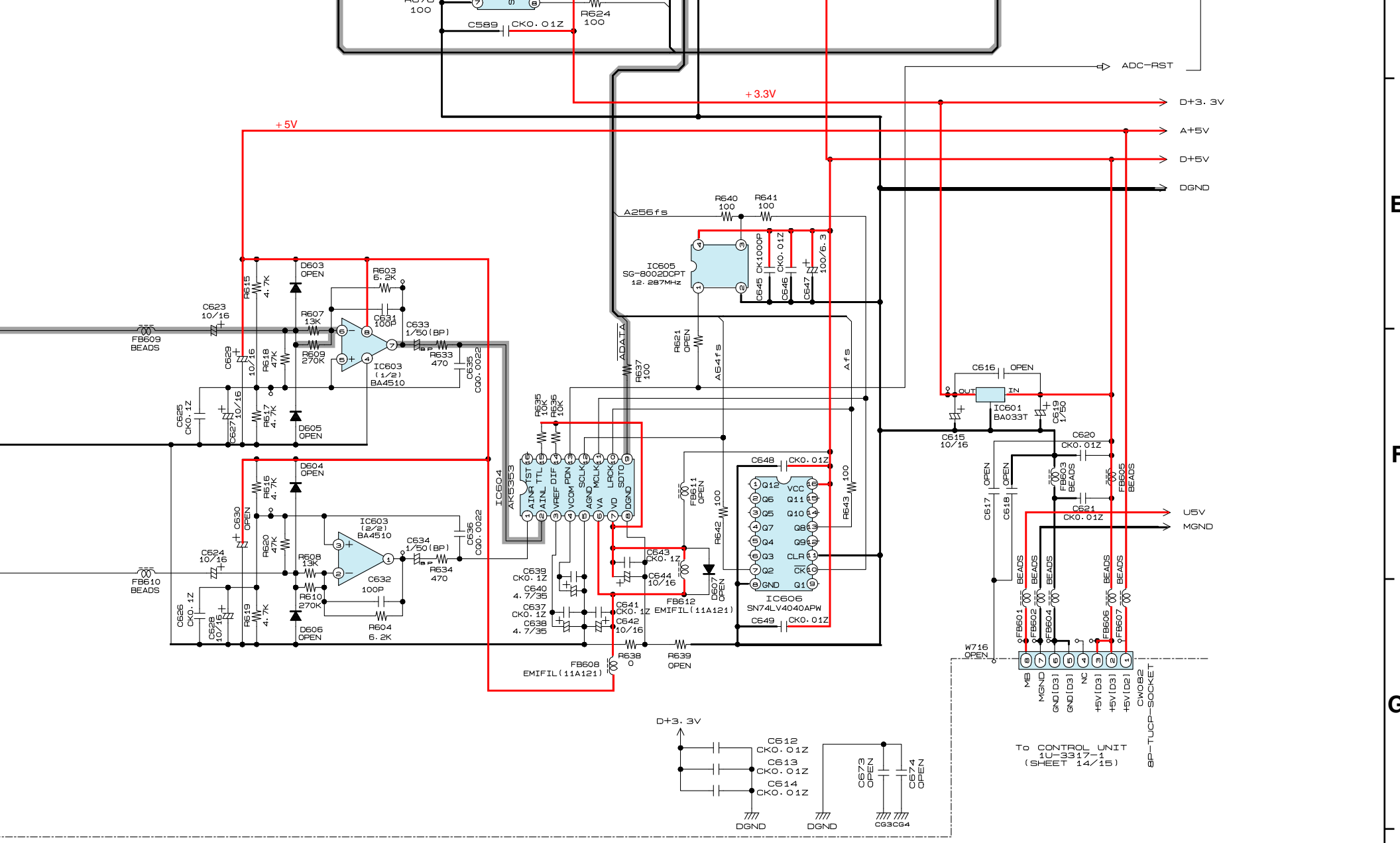
CAUTION:

Before returning the unit to the customer, make sure you make either (1) a leakage current check or (2) a line to chassis resistance check. If the leakage current exceeds 0.5 milliamps, or if the resistance from chassis to either side of the power card is less than 460 kohms, the unit is defective.

WARNING:

DO NOT return the unit to the customer until the problem is located and corrected.

1U-3320 (2/4)
AUDIO/DSP UNIT



— + B LINE SIGNAL
 — SIGNAL

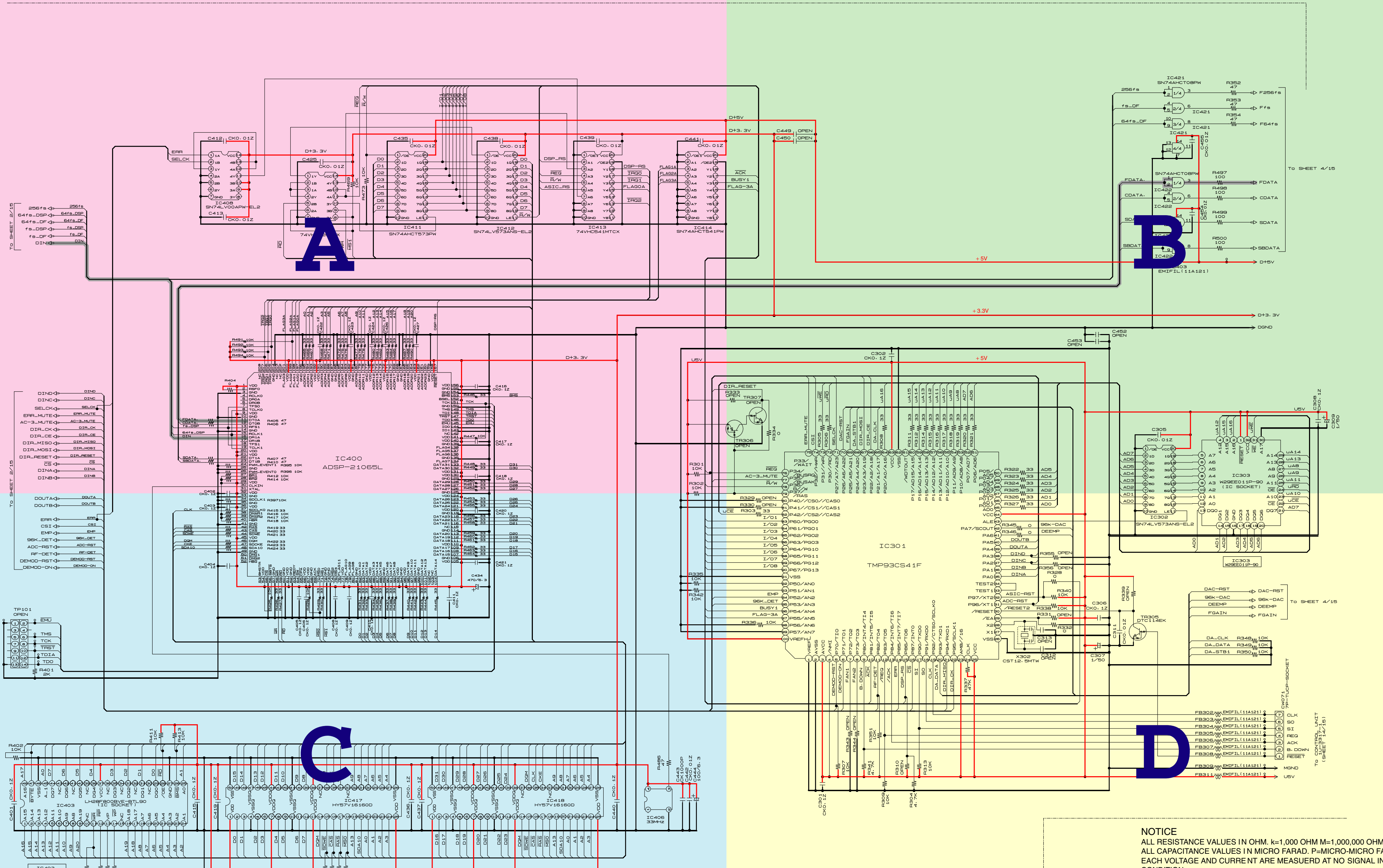
SCHEMATIC DIAGRAMS (2/15)
 1U-3320 (2/4) AUDIO DSP UNIT

E
 F
 G
 H

SCHEMATIC DIAGRAMS (3/15)

1 2 3 4 5 6 7 8 9 10 11

A B C D E F G H

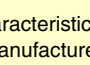


1U-3320 (3/4)
AUDIO/DSP UNIT

— + B LINE
— SIGNAL

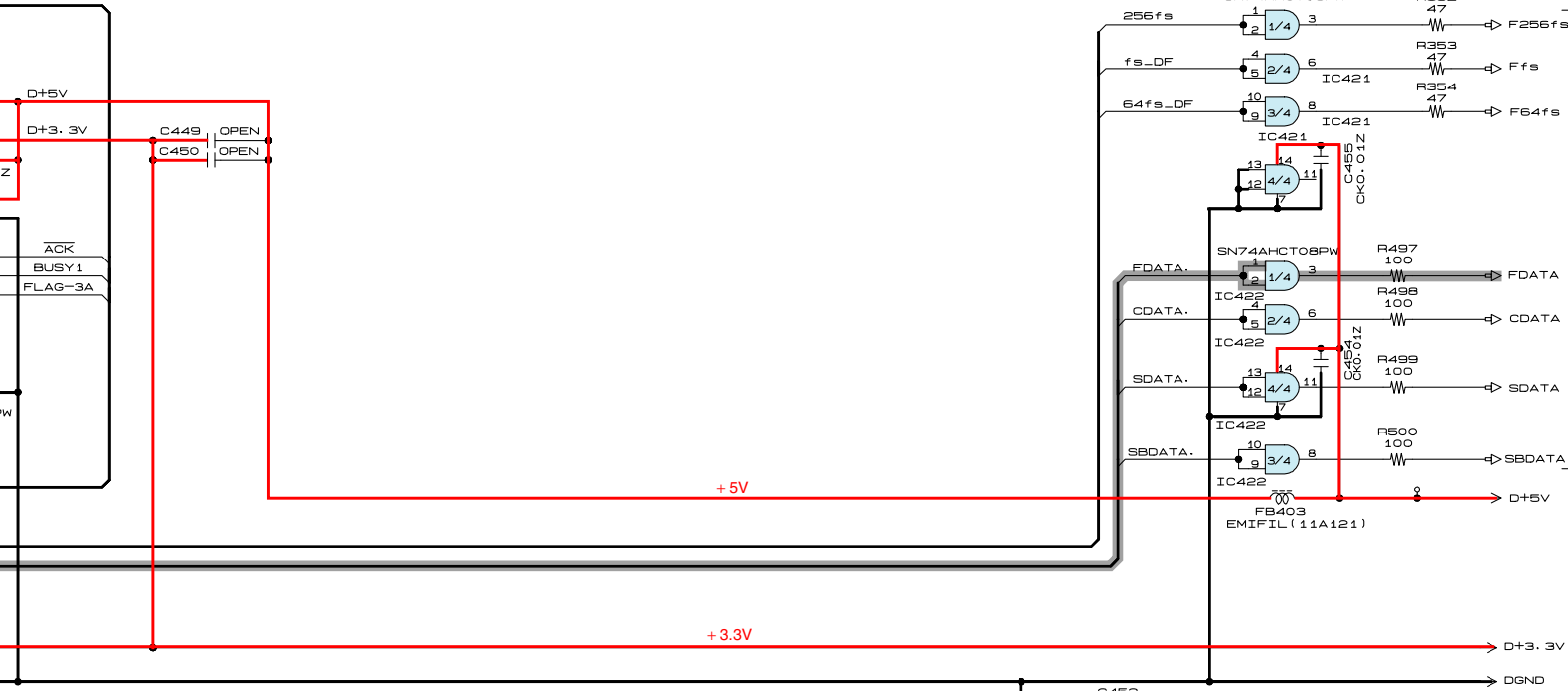
SCHEMATIC DIAGRAMS (3/15)
1U-3320 (3/4) AUDIO/DSP UNIT

NOTICE
ALL RESISTANCE VALUES IN OHM. k=1,000 OHM M=1,000,000 OHM
ALL CAPACITANCE VALUES IN MICRO FARAD. P=MICRO-MICRO FARAD
EACH VOLTAGE AND CURRENT ARE MEASURED AT NO SIGNAL INPUT
CONDITION.
CIRCUIT AND PARTS ARE SUBJECT TO CHANGE WITHOUT PRIOR
NOTICE.

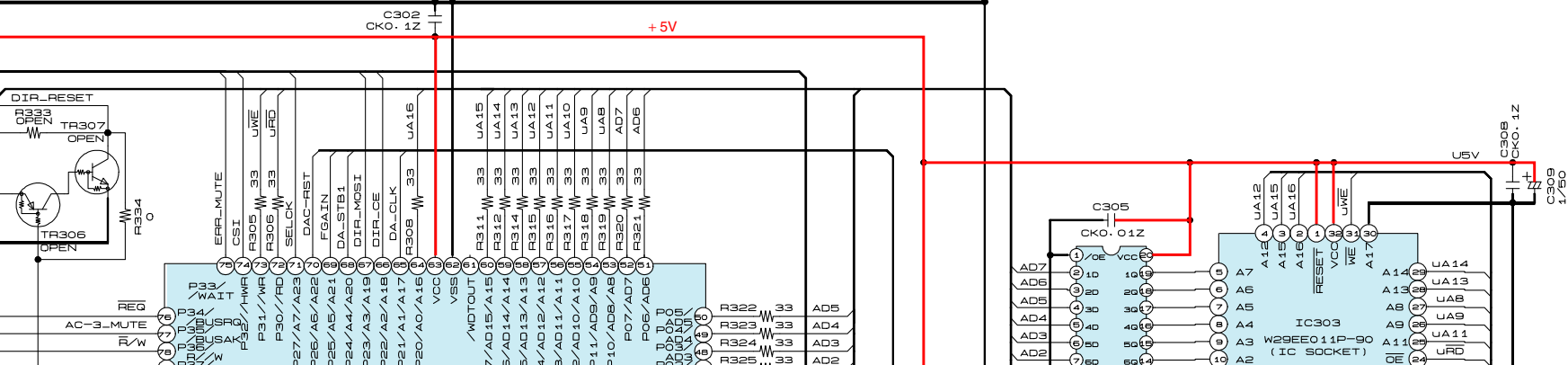
WARNING:
Parts marked with this symbol  have critical characteristics.
Use ONLY replacement parts recommended by the manufacturer.

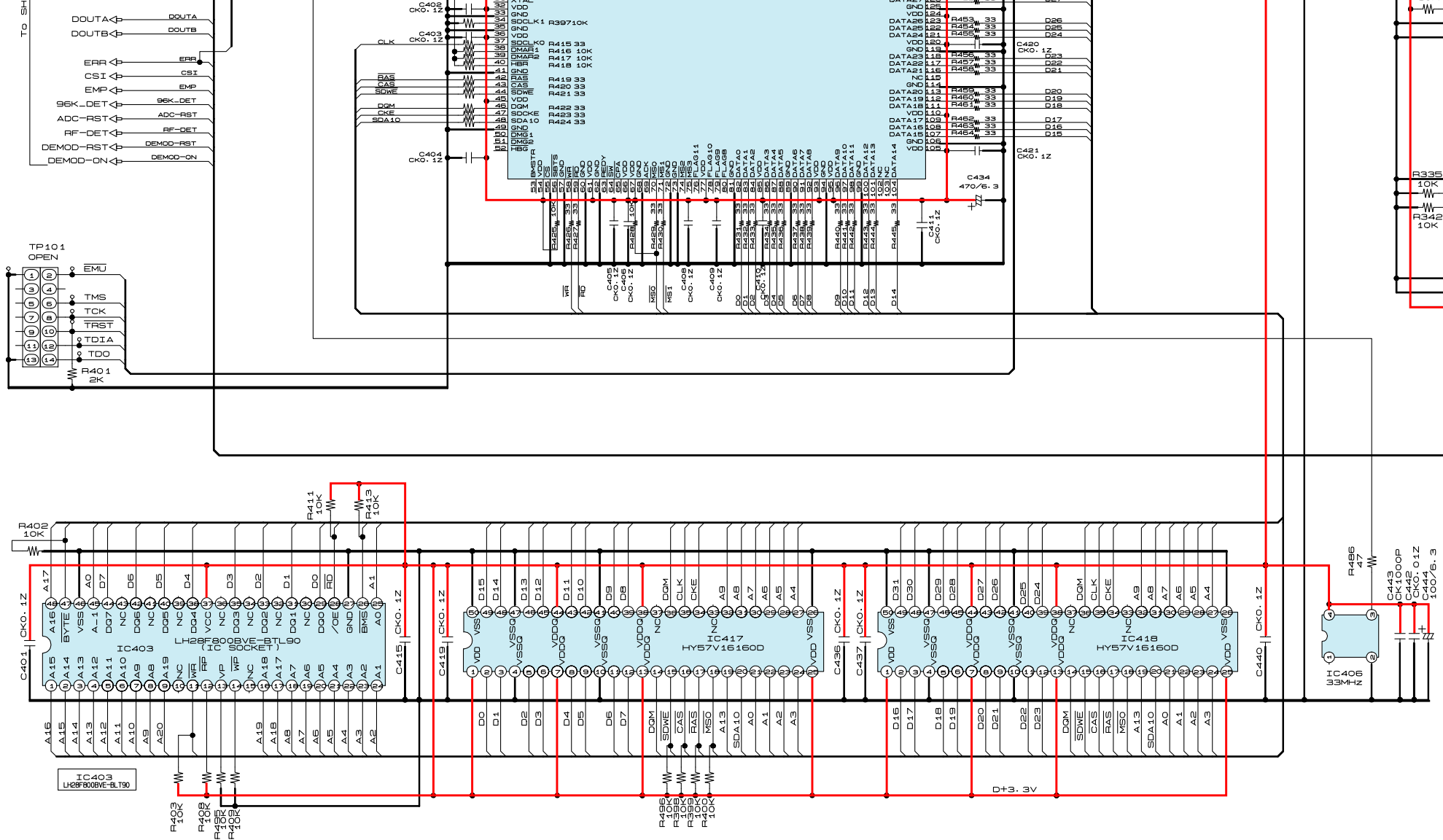
CAUTION:
Before returning the unit to the customer, make sure you make either (1) a
leakage current check or (2) a line to chassis resistance check. If the leakage
current exceeds 0.5 milliamps, or if the resistance from chassis to either side
of the power card is less than 460 kohms, the unit is defective.

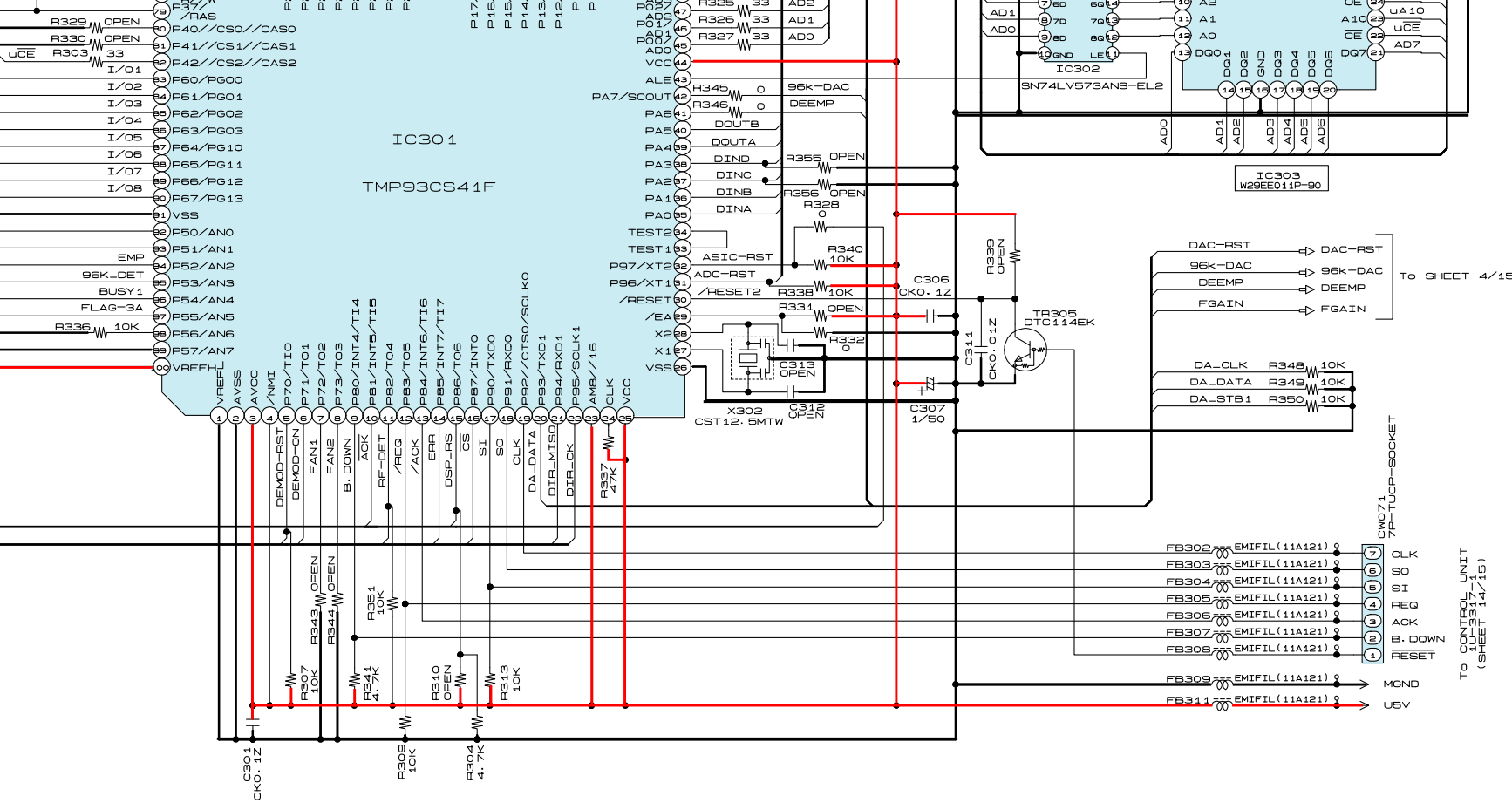
WARNING:
DO NOT return the unit to the customer until the problem is located and
corrected.



To SHEET 4/15







1U-3320 (3/4)
AUDIO/DSP UNIT

— + B LINE
— SIGNAL

SCHEMATIC DIAGRAMS (3/15)
1U-3320 (3/4) AUDIO/DSP UNIT

NOTICE
ALL RESISTANCE VALUES IN OHM. k=1,000 OHM M=1,000,000 OHM
ALL CAPACITANCE VALUES IN MICRO FARAD. P=MICRO-MICRO FARAD
EACH VOLTAGE AND CURRENT ARE MEASURED AT NO SIGNAL INPUT CONDITION.
CIRCUIT AND PARTS ARE SUBJECT TO CHANGE WITHOUT PRIOR NOTICE.

WARNING:
Parts marked with this symbol have critical characteristics. Use ONLY replacement parts recommended by the manufacture.

CAUTION:
Before returning the unit to the customer, make sure you make either (1) a leakage current check or (2) a line to chassis resistance check. If the leakage current exceeds 0.5 milliamps, or if the resistance from chassis to either side of the power card is less than 460 kohms, the unit is defective.

WARNING:
DO NOT return the unit to the customer until the problem is located and corrected.

To SHEET 4/15

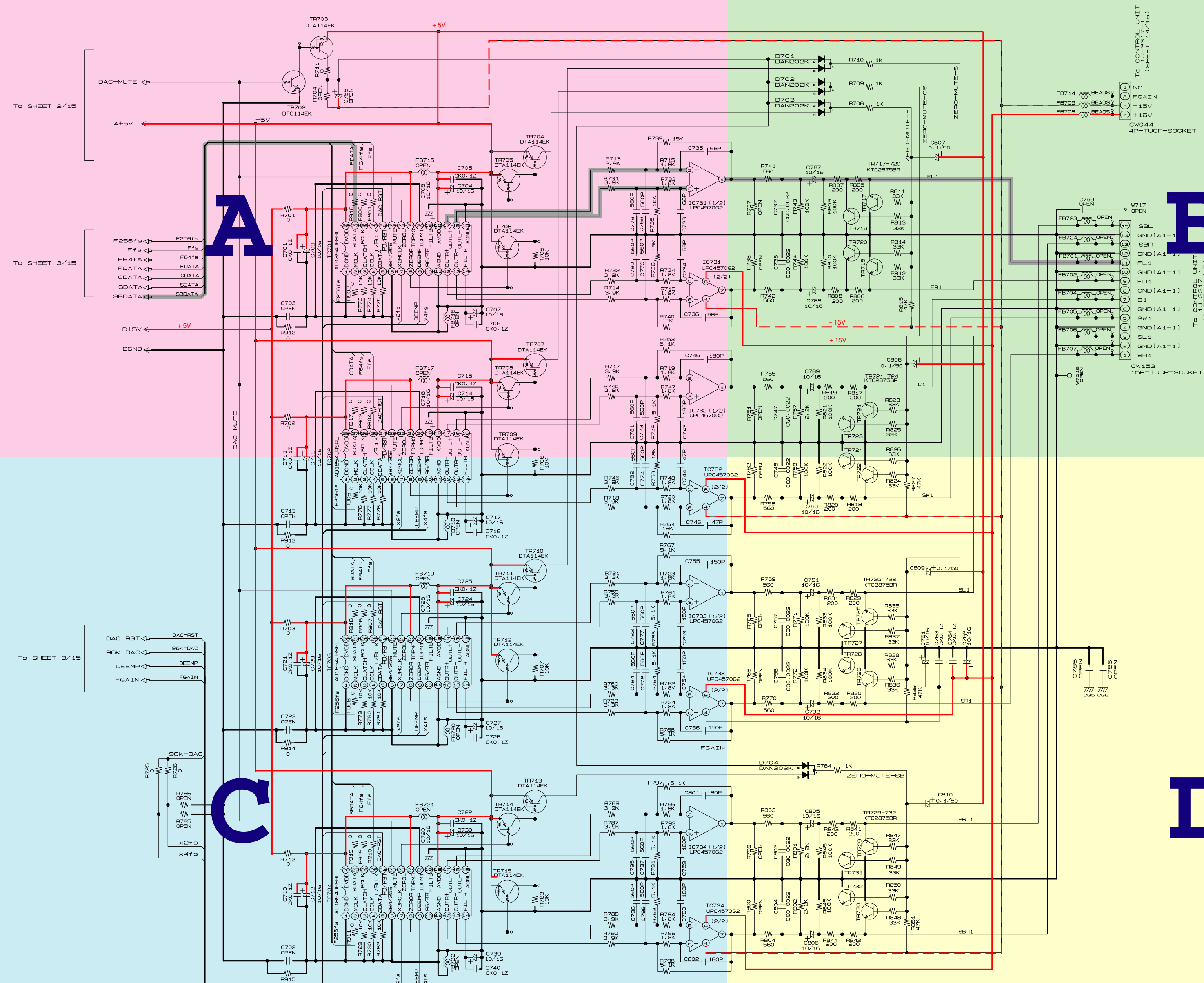
To CONTROL UNIT
(SHEET 14/15)

SCHEMATIC DIAGRAMS (4/15)

1 2 3 4 5 6 7 8 9 10 11

1U-3320 (4/4)
AUDIO/DSP UNIT

	C709, 713, C715, 723	FB715, 717, FB719, 721
USA CAN/CA	10/16	—
EUROPE ASIA	220/10	1000p
TAIWAN R.O.C		



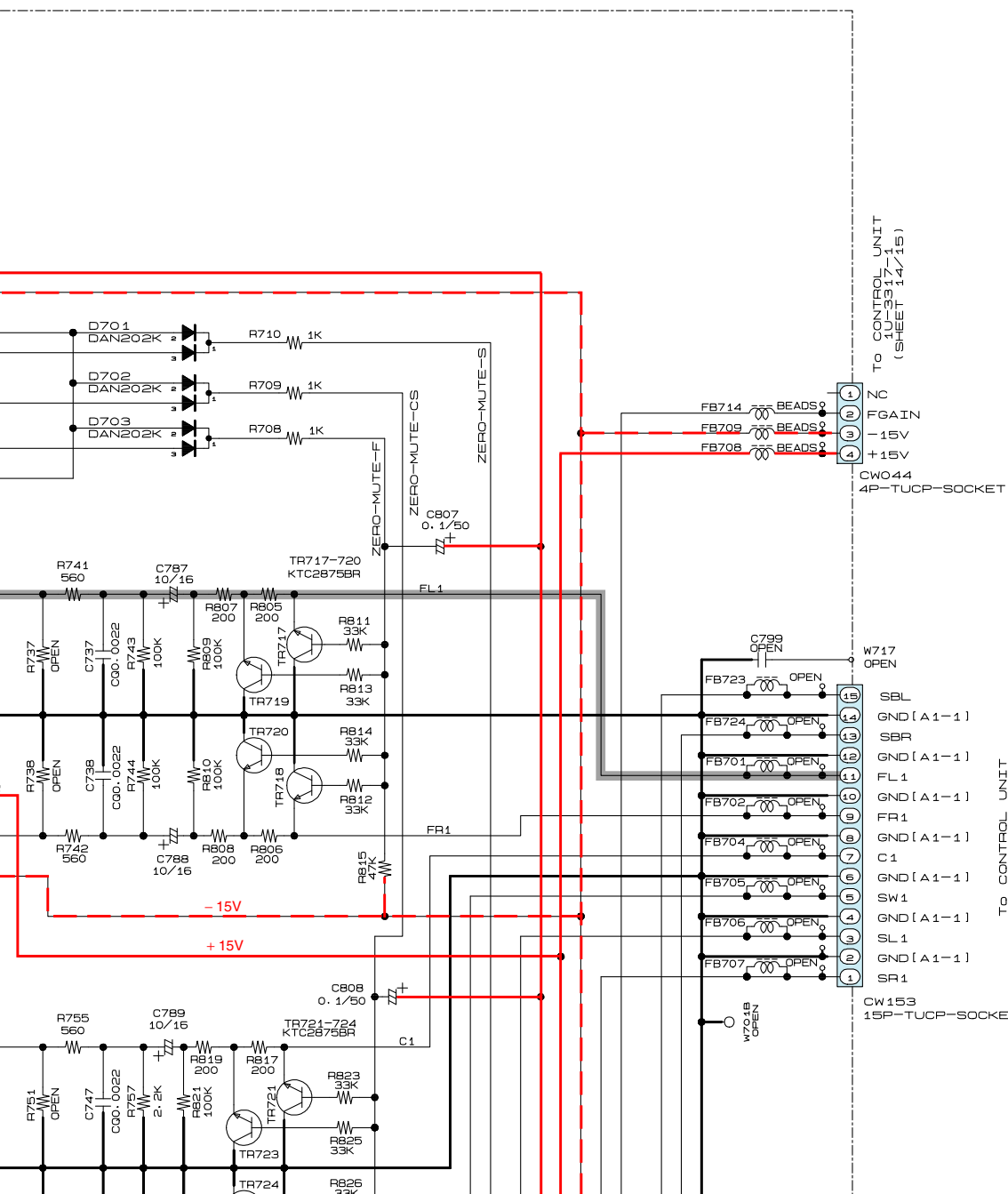
— + B LINE
 - - - - -B LINE
 ——— SIGNAL

NOTICE
 ALL RESISTANCE VALUES IN OHM. k=1,000 OHM M=1,000,000 OHM
 ALL CAPACITANCE VALUES IN MICRO FARAD. P=MICRO-MICRO FARAD
 EACH VOLTAGE AND CURRENT ARE MEASURED AT NO SIGNAL INPUT
 CONDITION.
 CIRCUIT AND PARTS ARE SUBJECT TO CHANGE WITHOUT PRIOR
 NOTICE.

WARNING:
 Parts marked with this symbol Δ have critical characteristics.
 Use ONLY replacement parts recommended by the manufacture.

CAUTION:
 Before returning the unit to the customer, make sure you make either (1) a
 leakage current check or (2) a line to chassis resistance check. If the leakage
 current exceeds 0.5 milliamps, or if the resistance from chassis to either side
 of the power card is less than 460 kohms, the unit is defective.

WARNING:
 DO NOT return the unit to the customer until the problem is located and
 corrected.



	C709, 712 C719, 729	FB715, 717 FB719, 721
USA CAN/CA	10/16	—
EUROPE ASIA TAIWAN R.O.C	220/10	1000p

TO CONTROL UNIT
(SHEET 14/15)

- ① NC
- ② FGAIN
- ③ -15V
- ④ +15V

CWO44
4P-TUCP-SOCKET

W717
OPEN

- ⑮ SBL
- ⑭ GND [A1-1]
- ⑬ SBR
- ⑫ GND [A1-1]
- ⑪ FL1
- ⑩ GND [A1-1]
- ⑨ FR1
- ⑧ GND [A1-1]
- ⑦ C1
- ⑥ GND [A1-1]
- ⑤ SW1
- ④ GND [A1-1]
- ③ SL1
- ② GND [A1-1]
- ① SR1

CW153
15P-TUCP-SOCKET

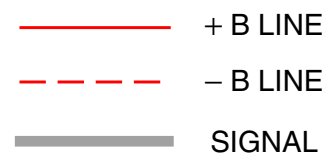
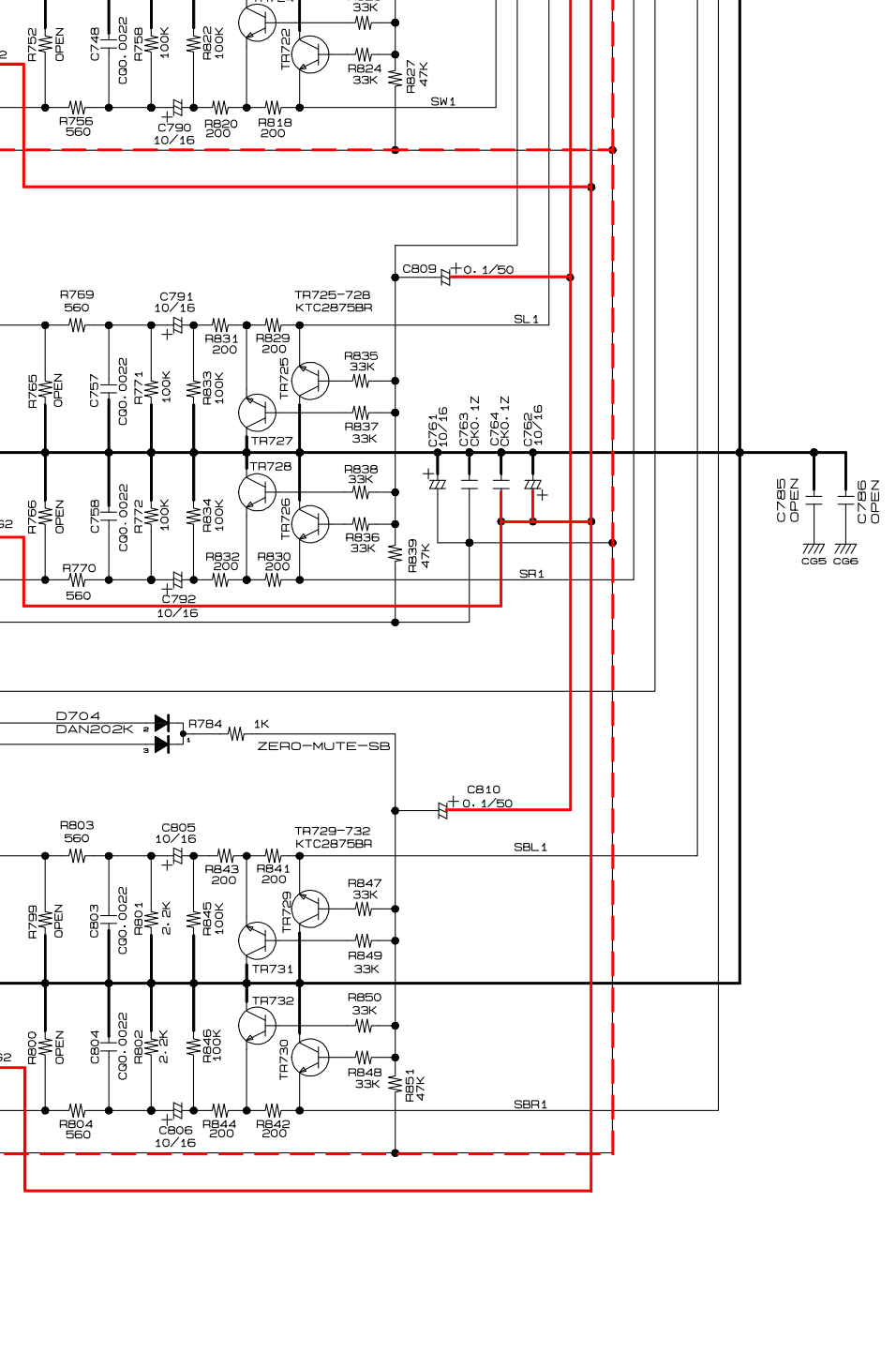
TO CONTROL UNIT
(SHEET 14/15)

A


B

C

D



NOTICE
 ALL RESISTANCE VALUES IN OHM. k=1,000 OHM M=1,000,000 OHM
 ALL CAPACITANCE VALUES IN MICRO FARAD. P=MICRO-MICRO FARAD
 EACH VOLTAGE AND CURRENT ARE MEASURED AT NO SIGNAL INPUT
 CONDITION.
 CIRCUIT AND PARTS ARE SUBJECT TO CHANGE WITHOUT PRIOR
 NOTICE.

WARNING:
 Parts marked with this symbol  have critical characteristics.
 Use ONLY replacement parts recommended by the manufacture.

CAUTION:
 Before returning the unit to the customer, make sure you make either (1) a
 leakage current check or (2) a line to chassis resistance check. If the leakage
 current exceeds 0.5 milliamps, or if the resistance from chassis to either side
 of the power card is less than 460 kohms, the unit is defective.

WARNING:
 DO NOT return the unit to the customer until the problem is located and
 corrected.

SCHEMATIC DIAGRAMS (4/15)
 1U-3320 (4/4) AUDIO DSP UNIT

E

F

G

H

SCHEMATIC DIAGRAMS (5/15)

1

2

3

4

5

6

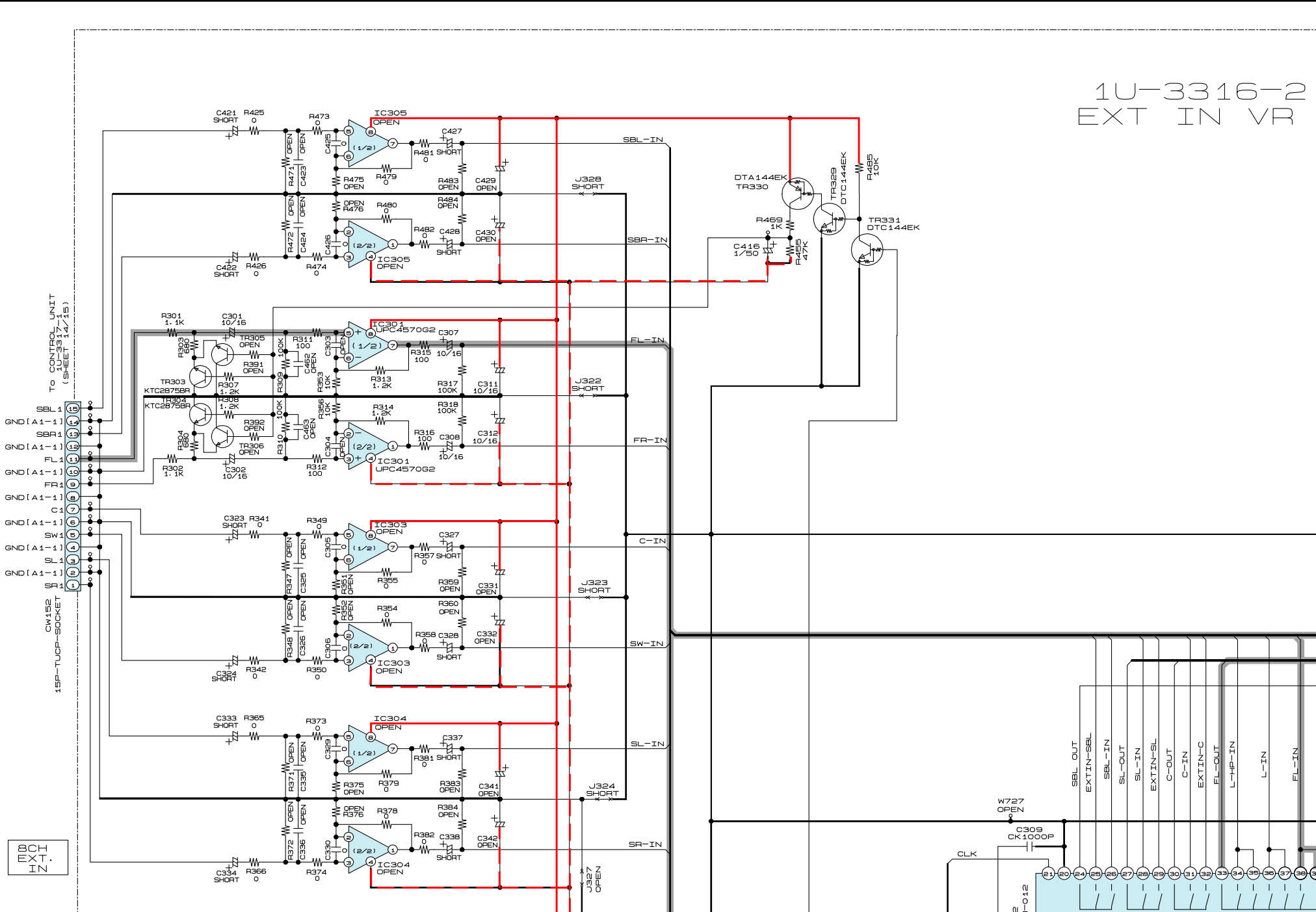
1U-3316-2
EXT IN VR

A

B

C

D



To CONTROL UNIT
(SHEET 14/15)

CW152
SOCKET

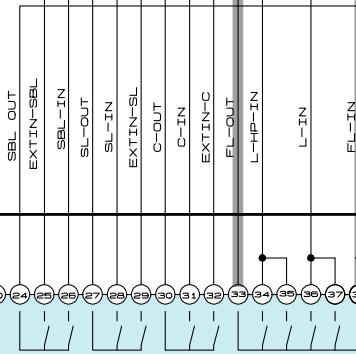
6P PIN JACK

8 OHM
EXT.
IN

CLK

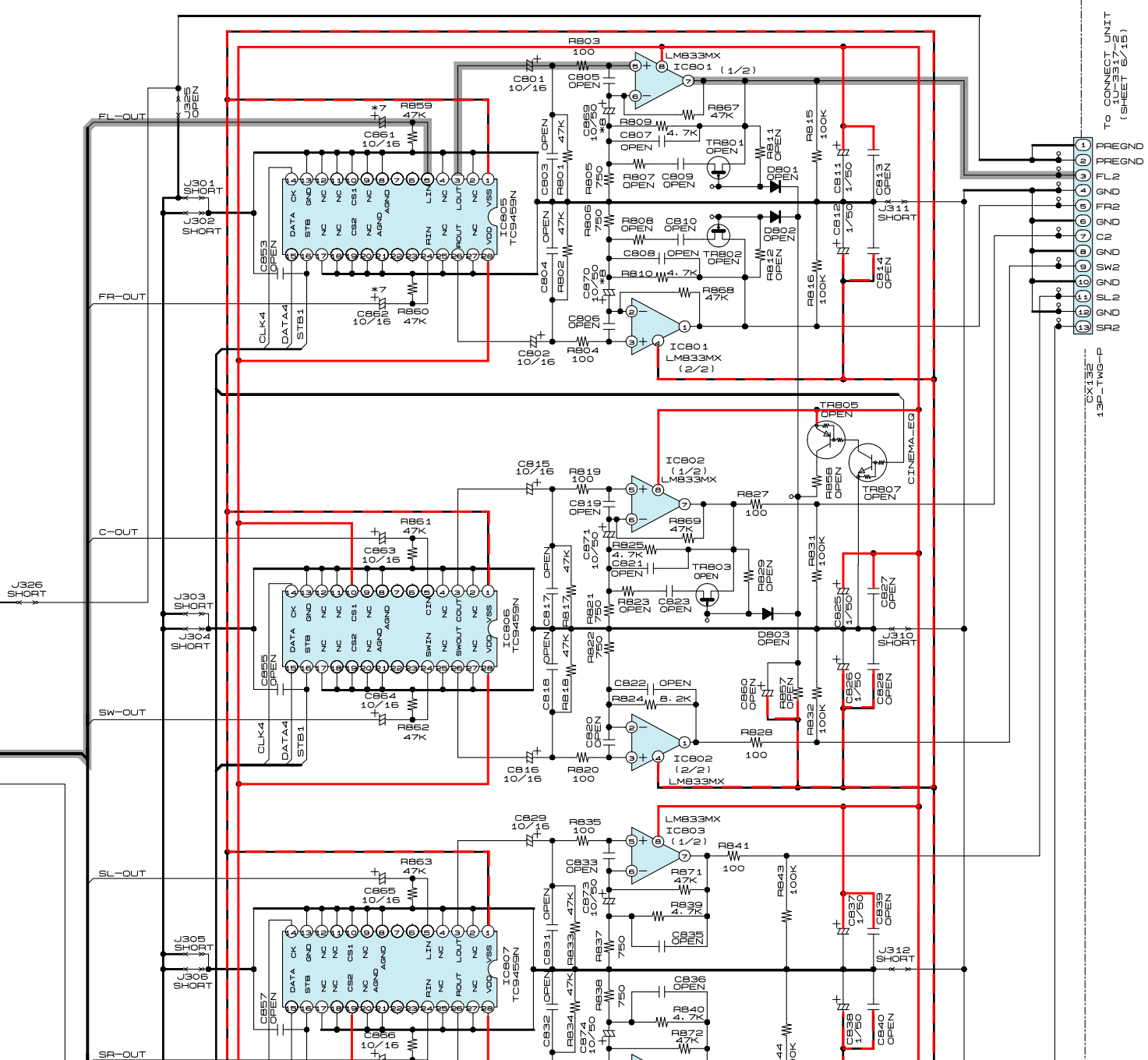
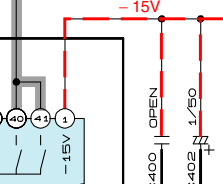
C309
CK 100OP

2
N-012



UNIT

EXTINFL



TO CONNECT UNIT
(SHEET 6/15)

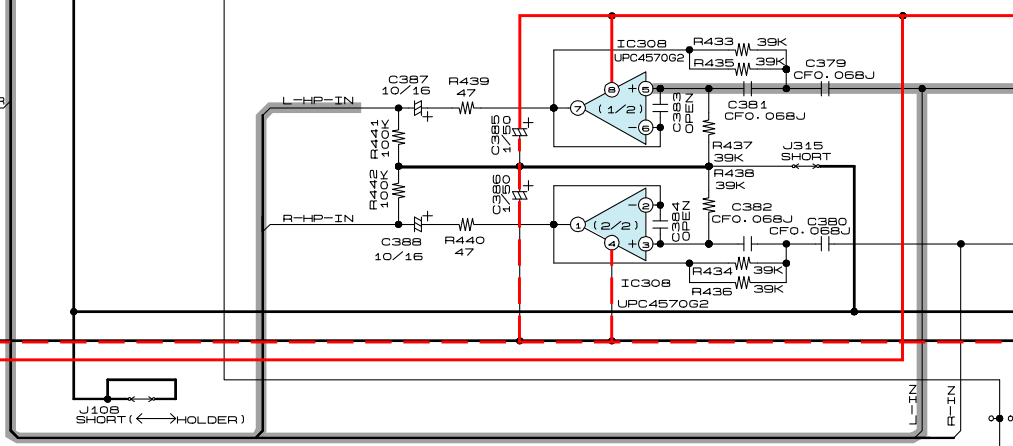
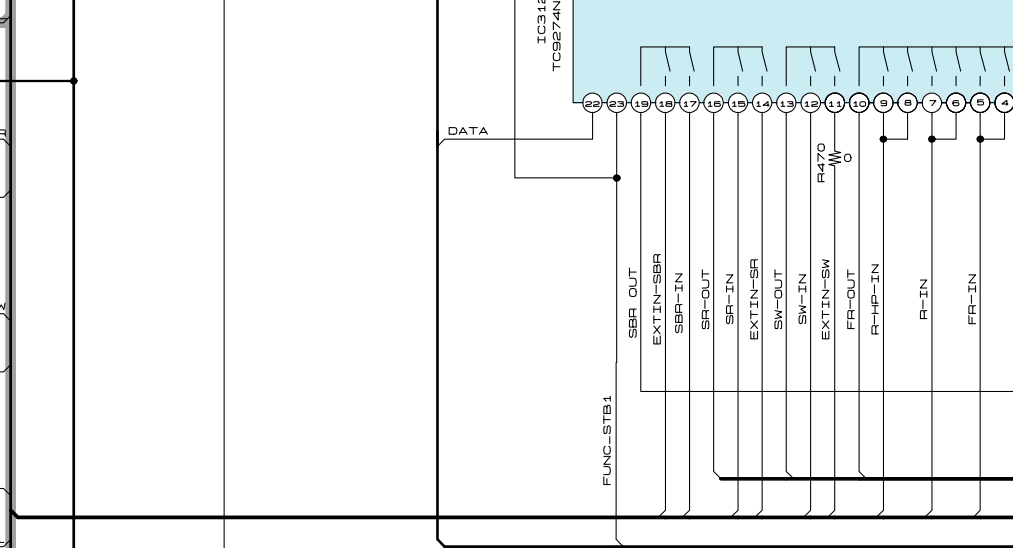
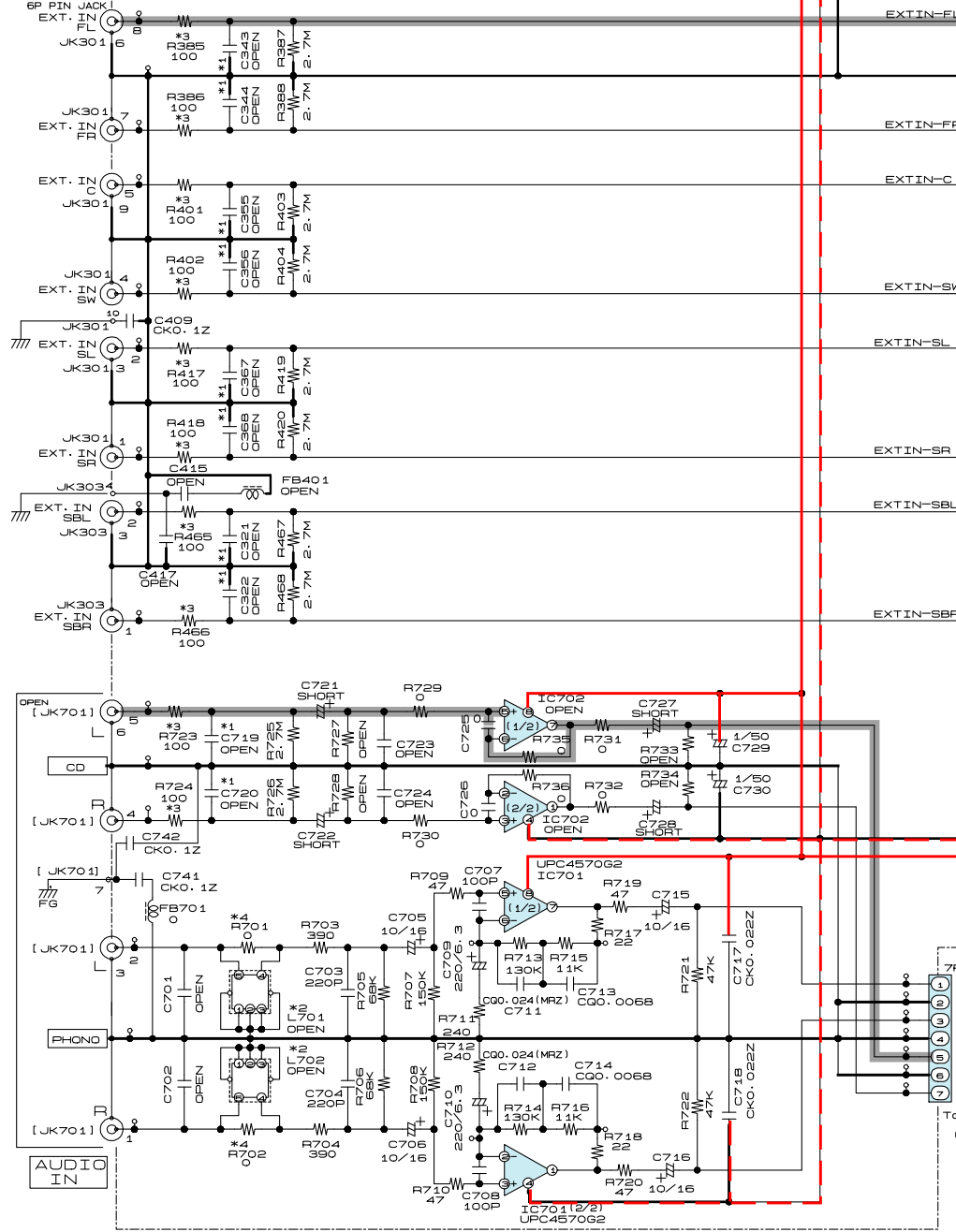
CX132
13P-TW6-P

E

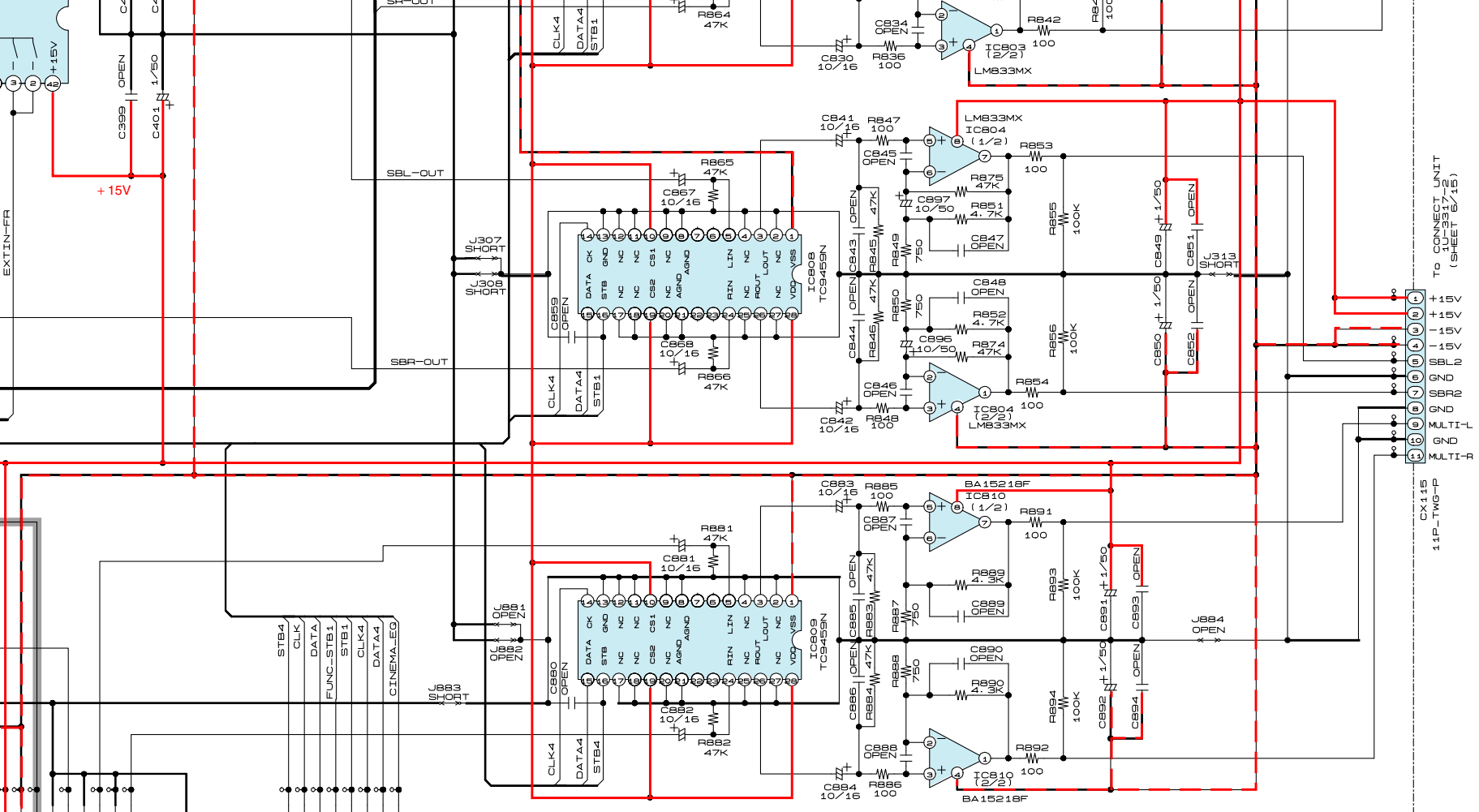
F

G

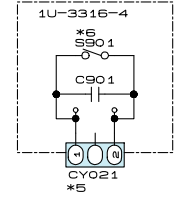
H



	*1	*2	*3	*4	*5	*6	*7
*USA	R321, 322, 343, 344	L701, 702	R395, 396, 401, 402	R701	CY021	S901	C851, 862
CANADA	C355, 356, 367, 368		R471, 418, 465, 466	R702			
EUROPE	C719, 720						
ASIA							
HONG KONG							
CHINA							
TAIWAN R.O.C							



*8
C869, 870
10/50
47/16
10/50
10/50



To CONTROL UNIT
1U-3317-2
(SHEET 14/15)

- + B LINE
- - - - B LINE
- SIGNAL

NOTICE

ALL RESISTANCE VALUES IN OHM. k=1,000 OHM M=1,000,000 OHM
 ALL CAPACITANCE VALUES IN MICRO FARAD. P=MICRO-MICRO FARAD
 EACH VOLTAGE AND CURRENT ARE MEASURED AT NO SIGNAL INPUT
 CONDITION.
 CIRCUIT AND PARTS ARE SUBJECT TO CHANGE WITHOUT PRIOR
 NOTICE.

WARNING:

Parts marked with this symbol have critical characteristics.
 Use ONLY replacement parts recommended by the manufacturer.

CAUTION:

Before returning the unit to the customer, make sure you make either (1) a leakage current check or (2) a line to chassis resistance check. If the leakage current exceeds 0.5 milliamps, or if the resistance from chassis to either side of the power card is less than 460 kohms, the unit is defective.

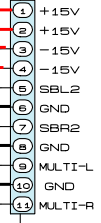
WARNING:

DO NOT return the unit to the customer until the problem is located and corrected.

SCHEMATIC DIAGRAMS (5/15)
 1U-3316 EXT IN VR UNIT

To CONNECT UNIT
1U-3317-2
(SHEET 6/15)

11P-TWG-P
CX1415



SCHMATIC DIAGRAMS (6/15)

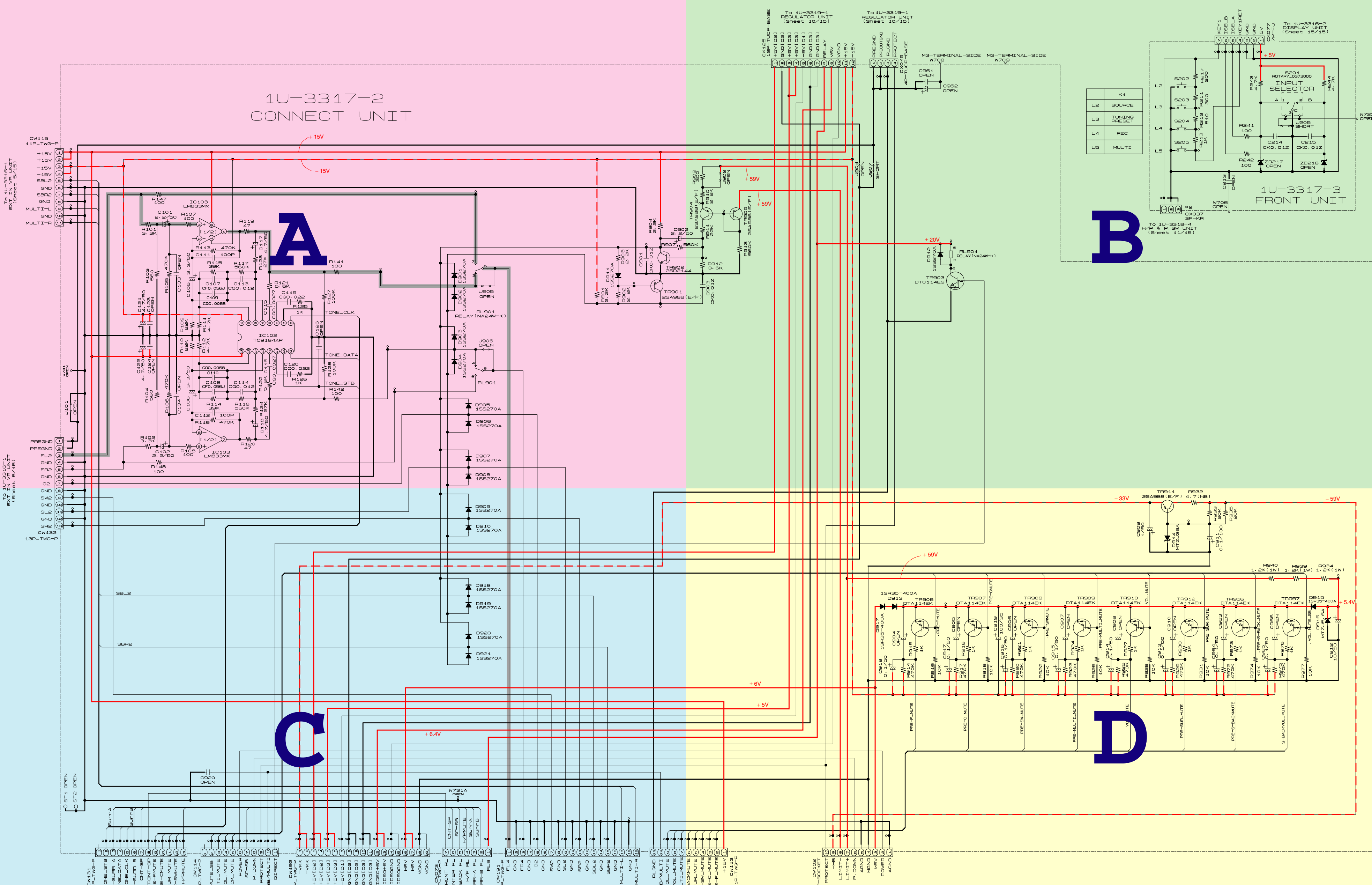
1 2 3 4 5 6 7 8 9 10 11

A
B
C
D
E
F
G
H

1U-3317-2
CONNECT UNIT

1U-3317-3
FRONT UNIT

K1	
L2	SOURCE
L3	TUNING PRESET
L4	REC
L5	MULTI



	*1	*2
	C117, 118	3P-KR
USA	4.7/50	
CANADA		
EUROPE	47/16	OPEN
ASIA	4.7/50	OPEN

- + B LINE
- - - - B LINE
- SIGNAL

WARNING:
Parts marked with this symbol have critical characteristics. Use ONLY replacement parts recommended by the manufacturer.

CAUTION:
Before returning the unit to the customer, make sure you make either (1) a leakage current check or (2) a line to chassis resistance check. If the leakage current exceeds 0.5 milliamperes, or if the resistance from chassis to either side of the power cord is less than 460 kohms, the unit is defective.

WARNING:
DO NOT return the unit to the customer until the problem is located and corrected.

NOTICE
ALL RESISTANCE VALUES IN OHM. K=1,000 OHM M=1,000,000 OHM
ALL CAPACITANCE VALUES IN MICRO FARAD. P=MICRO-MICRO FARAD
EACH VOLTAGE AND CURRENT ARE MEASURED AT NO SIGNAL INPUT CONDITION.
CIRCUIT AND PARTS ARE SUBJECT TO CHANGE WITHOUT PRIOR NOTICE.

SCHMATIC DIAGRAMS (6/15)
1U-3317-2 CONNECT UNIT
1U-3317-3 FRONT UNIT

SCHEMATIC DIAGRAMS (6/15)

1

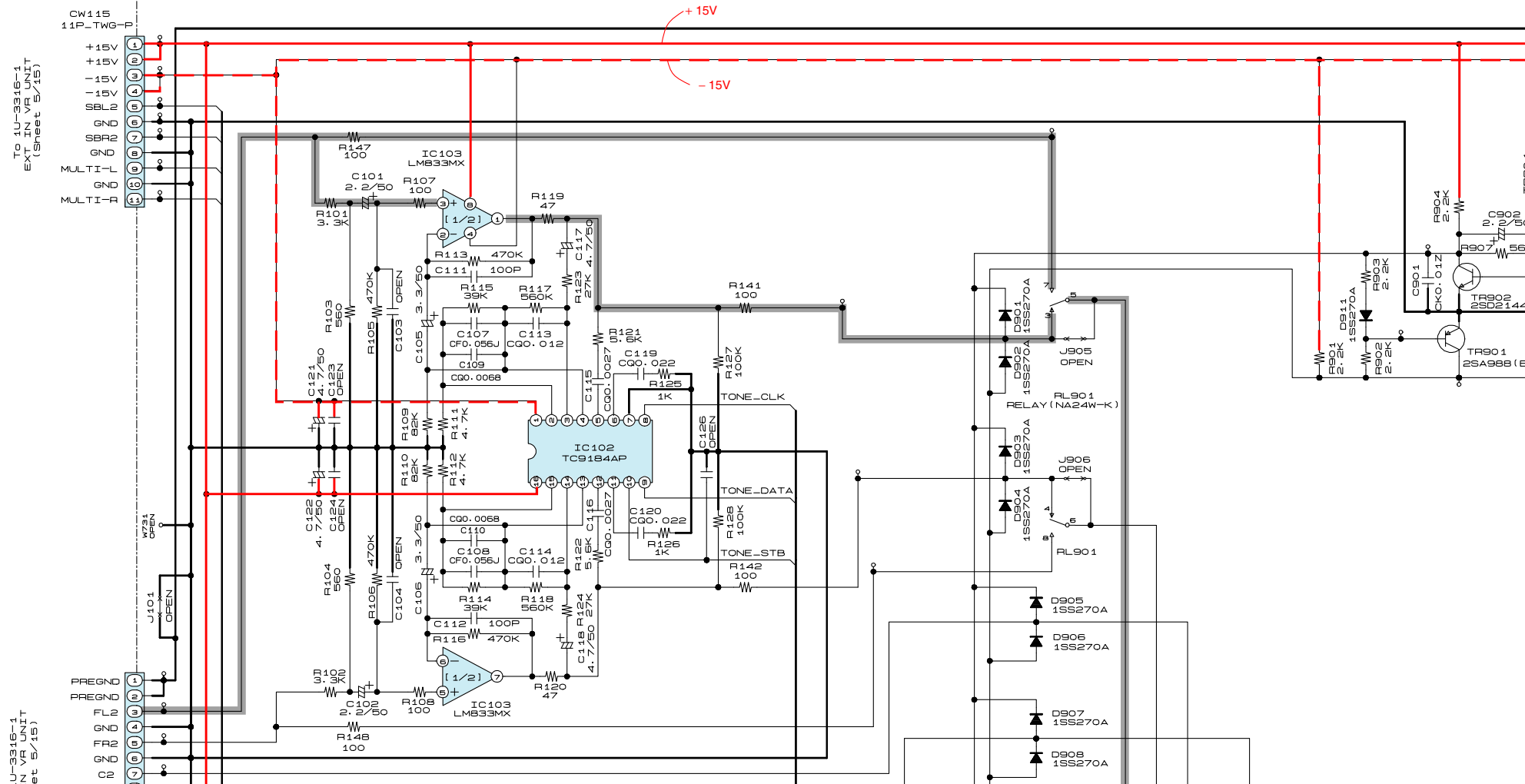
2

3

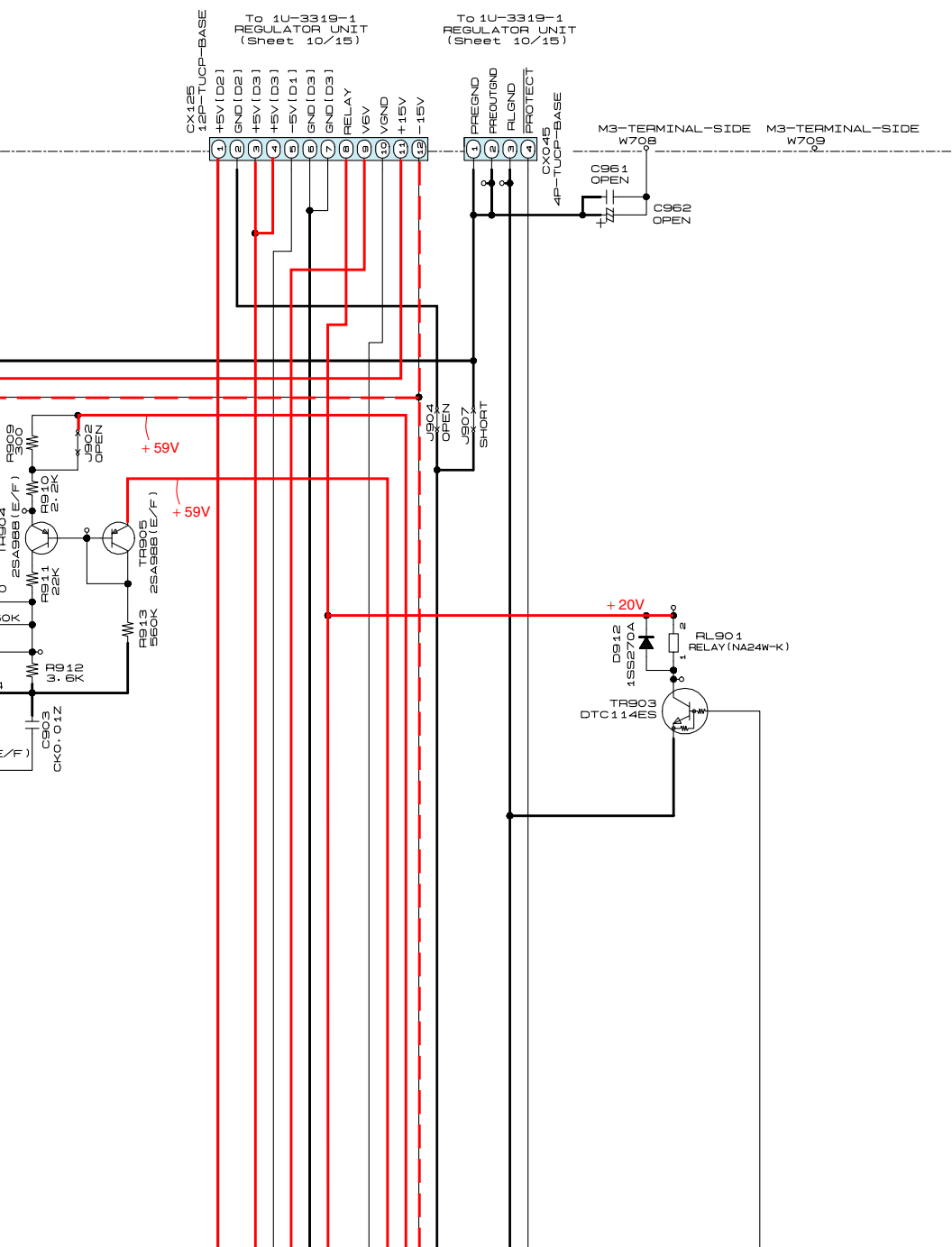
4

5

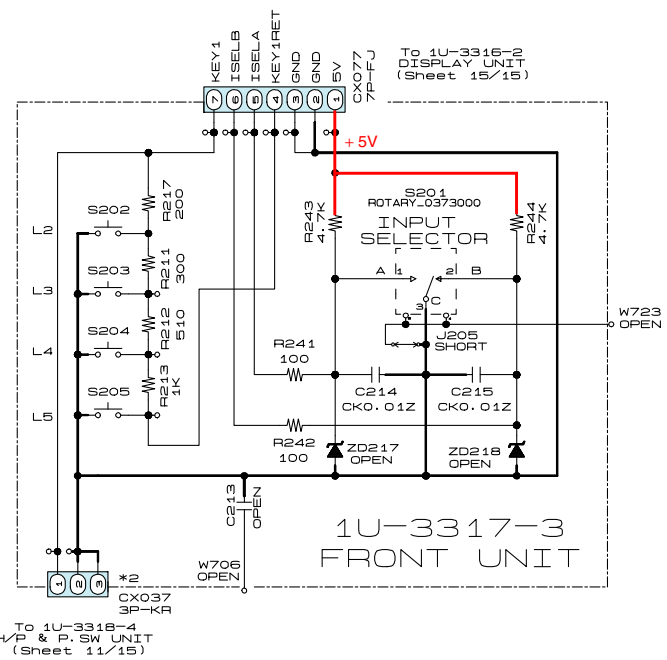
1U-3317-2 CONNECT UNIT



6 7 8 9 10 11



	K1
L2	SOURCE
L3	TUNING PRESET
L4	REC
L5	MULTI



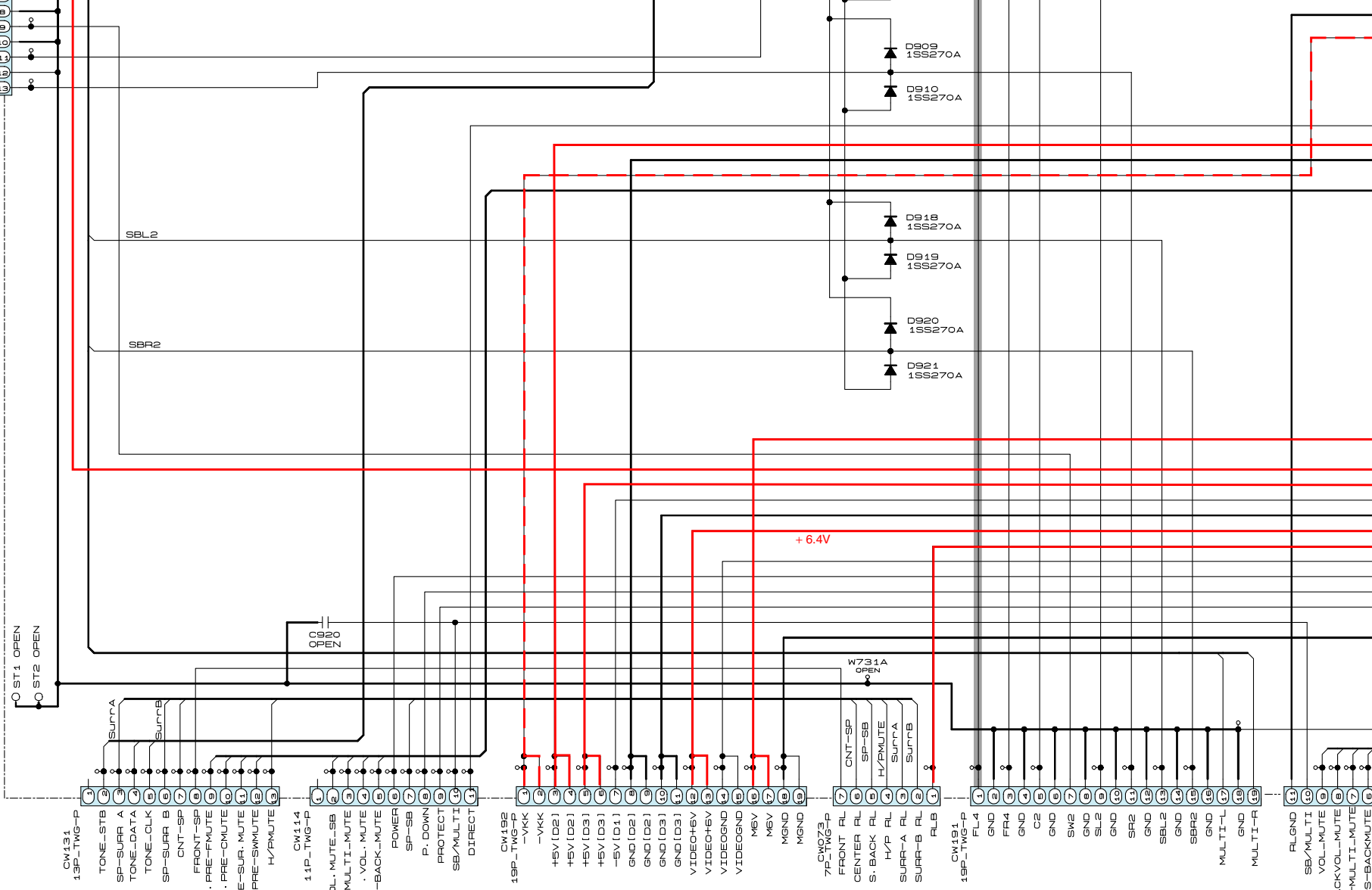
A

B

C

D

9
SW
GND
SL2
SR2
CW132
13P_TWG-P



○ ST1 OPEN
○ ST2 OPEN

CW131
13P_TWG-P
TONE-STB
SP-SURR A
TONE-DATA
TONE-CLK
SP-SURR B
CNT-SP
FRONT-SP
PRE-FMUTE
PRE-CMUTE
PRE-SUR. MUTE
PRE-SMUTE
H/PMUTE

To 1U-3317-1
CONTROL UNIT
(Sheet 14/15)

CW114
11P_TWG-P
. VOL. MUTE-SB
. PRE-MULTI-MUTE
. VOL. MUTE
. PRE-S-BACK-MUTE
POWER
SP-SB
P. DOWN
PROTECT
SB/MULTI
DIRECT

To 1U-3317-1
CONTROL UNIT
(Sheet 14/15)

19P_TWG-P
-VKK
+5V(D2)
+5V(D2)
+5V(D3)
+5V(D3)
-5V(D1)
GND(D2)
GND(D2)
GND(D3)
GND(D3)
VIDEO+BV
VIDEOGND
VIDEOGND
MV
MV
MGND
MGND

To 1U-3317-1
CONTROL UNIT
(Sheet 14/15)

7P_TWG-P
FRONT RL
CENTER RL
S. BACK RL
H/P RL
SURR-A RL
SURR-B RL
RLB
W731A OPEN

To 1U-3318-1
AMP CONNECT UNIT
(Sheet 7/15)

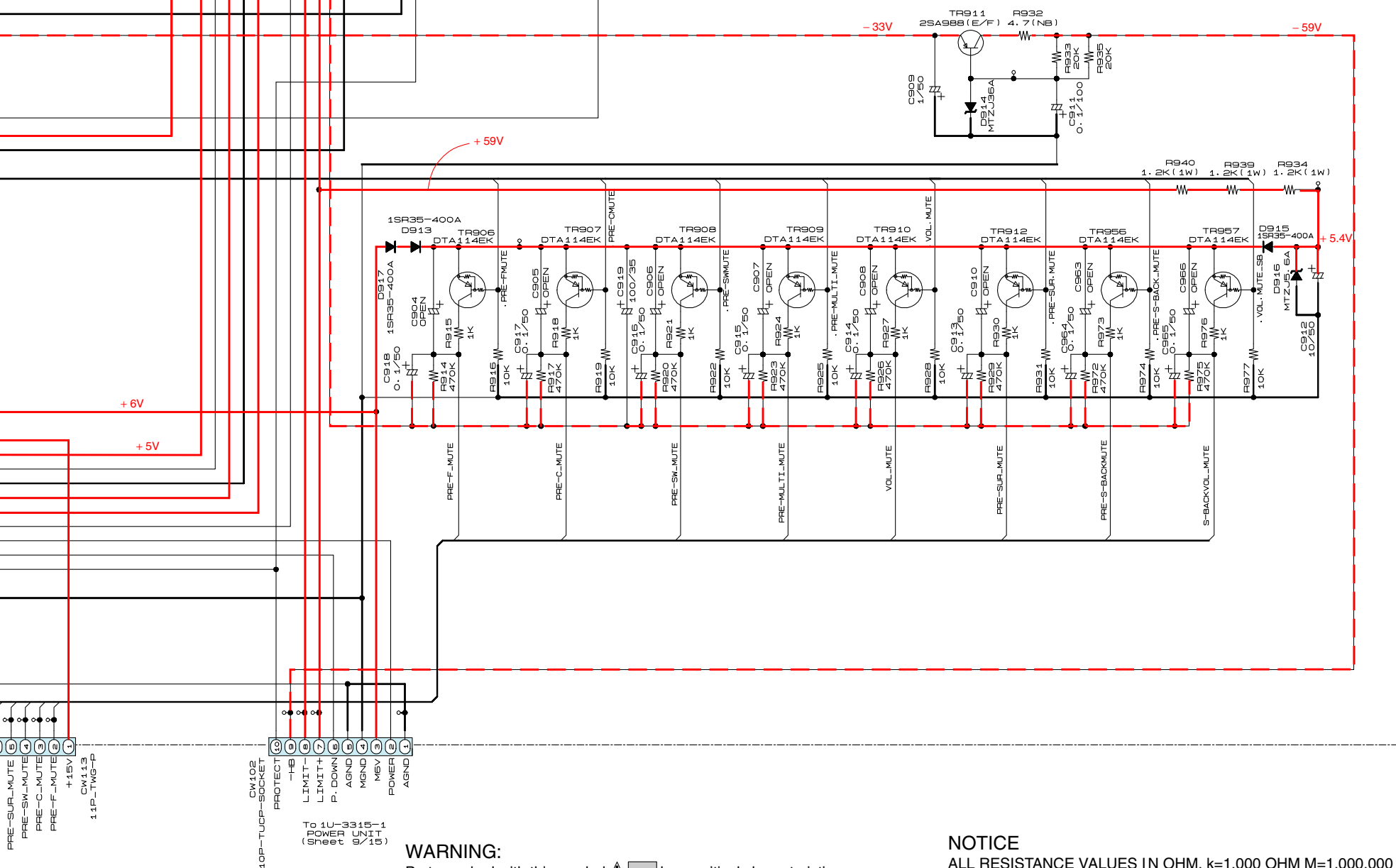
CW191
19P_TWG-P
FL4
FR4
GND
C2
GND
SW2
GND
SL2
GND
SR2
GND
SBL2
GND
SBR2
GND
MULTI-L
GND
MULTI-R

To 1U-3318-1
AMP CONNECT UNIT
(Sheet 7/15)

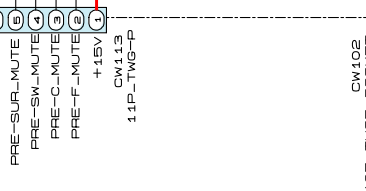
RLGND
SB/MULTI
VOL-MUTE
S-BACKVOL-MUTE
PRE-MULTI-MUTE
PRE-S-BACKMUTE
MULTI-R

To 1U-
AMP CONNE
(Sheet

	*1 C117, 118	*2 CX037
* USA CANADA	4. 7/50	3P-KR
EUROPE	47/16	OPEN
ASIA	4. 7/50	OPEN



1U-3318-1
CONNECT UNIT
(7/15)



- + B LINE
- - - - B LINE
- SIGNAL

WARNING:

Parts marked with this symbol have critical characteristics. Use ONLY replacement parts recommended by the manufacture.

CAUTION:

Before returning the unit to the customer, make sure you make either (1) a leakage current check or (2) a line to chassis resistance check. If the leakage current exceeds 0.5 milliamps, or if the resistance from chassis to either side of the power card is less than 460 kohms, the unit is defective.

WARNING:

DO NOT return the unit to the customer until the problem is located and corrected.

NOTICE

ALL RESISTANCE VALUES IN OHM. k=1,000 OHM M=1,000,000 OHM
 ALL CAPACITANCE VALUES IN MICRO FARAD. P=MICRO-MICRO FARAD
 EACH VOLTAGE AND CURRENT ARE MEASURED AT NO SIGNAL INPUT CONDITION.
 CIRCUIT AND PARTS ARE SUBJECT TO CHANGE WITHOUT PRIOR NOTICE.

SCHEMATIC DIAGRAMS (6/15)
 1U-3317-2 CONNECT UNIT
 1U-3317-3 FRONT UNIT

E
F
G
H

SCHEMATIC DIAGRAMS (7/15)

1 2 3 4 5 6 7 8 9 10 11

A

B

C

D

E

F

G

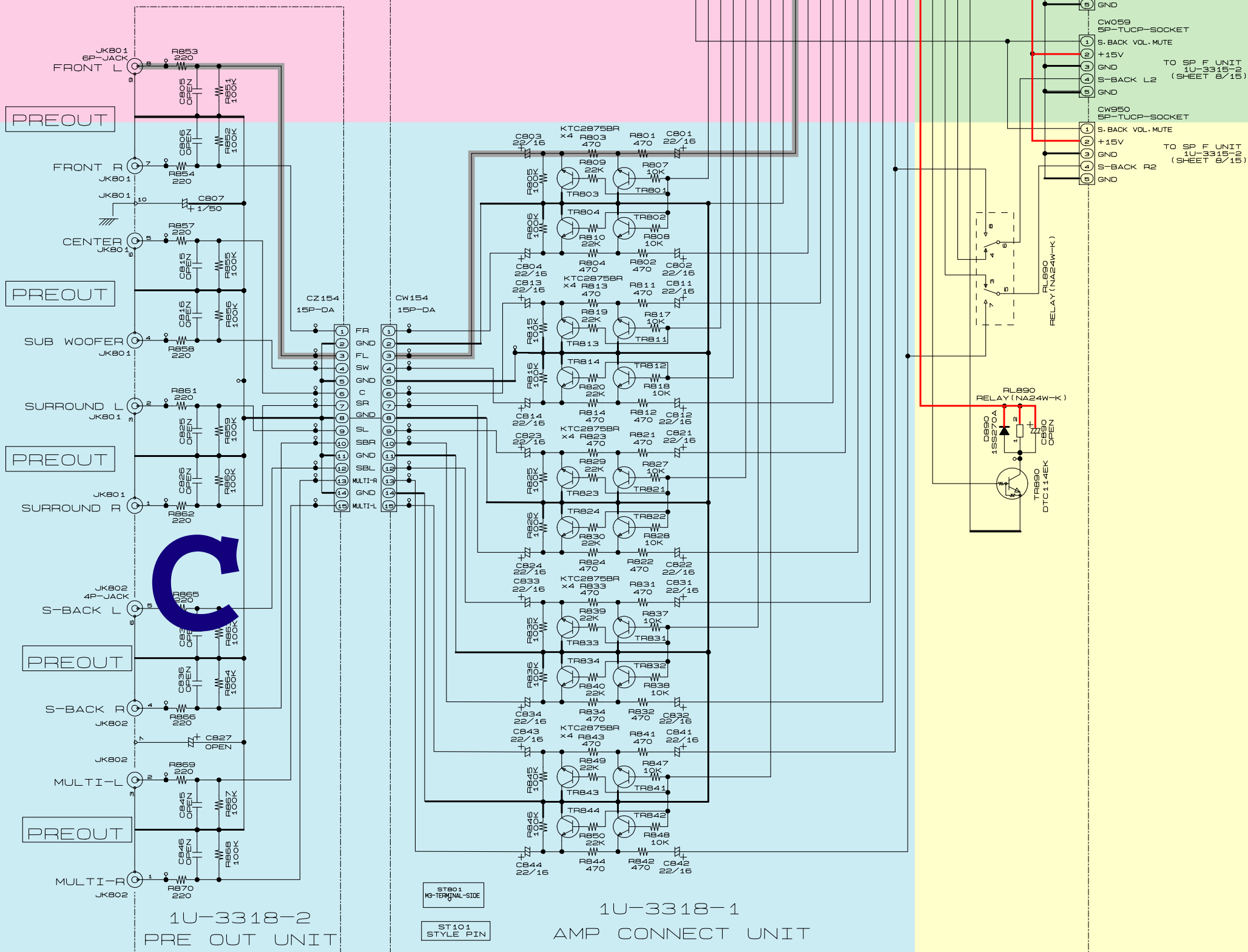
H

A

B

C

D



— + B LINE
 — SIGNAL

NOTICE
 ALL RESISTANCE VALUES IN OHM, k=1,000 OHM M=1,000,000 OHM
 ALL CAPACITANCE VALUES IN PICO-FARAD, P=MICRO-MICRO FARAD
 EACH VOLTAGE AND CURRENT MEASURED AT NO SIGNAL INPUT
 CONDITION.
 CIRCUIT AND PARTS ARE SUBJECT TO CHANGE WITHOUT PRIOR
 NOTICE.

WARNING:
 Parts marked with this symbol Δ have critical characteristics.
 Use ONLY replacement parts recommended by the manufacture.

CAUTION:
 Before returning the unit to the customer, make sure you make either (1) a
 leakage current check or (2) a line to chassis resistance check. If the leakage
 current exceeds 0.5 milliamperes, or if the resistance from chassis to either side
 of the power card is less than 460 kohms, the unit is defective.

WARNING:
 DO NOT return the unit to the customer until the problem is located and
 corrected.

SCHEMATIC DIAGRAMS (7/15)
 1U-3318-1 AMP CONNECT UNIT
 1U-3318-2 PRE OUT UNIT

SCHEMATIC DIAGRAMS (7/15)

1

2

3

4

5

6

A

B

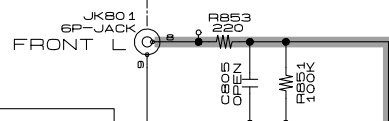
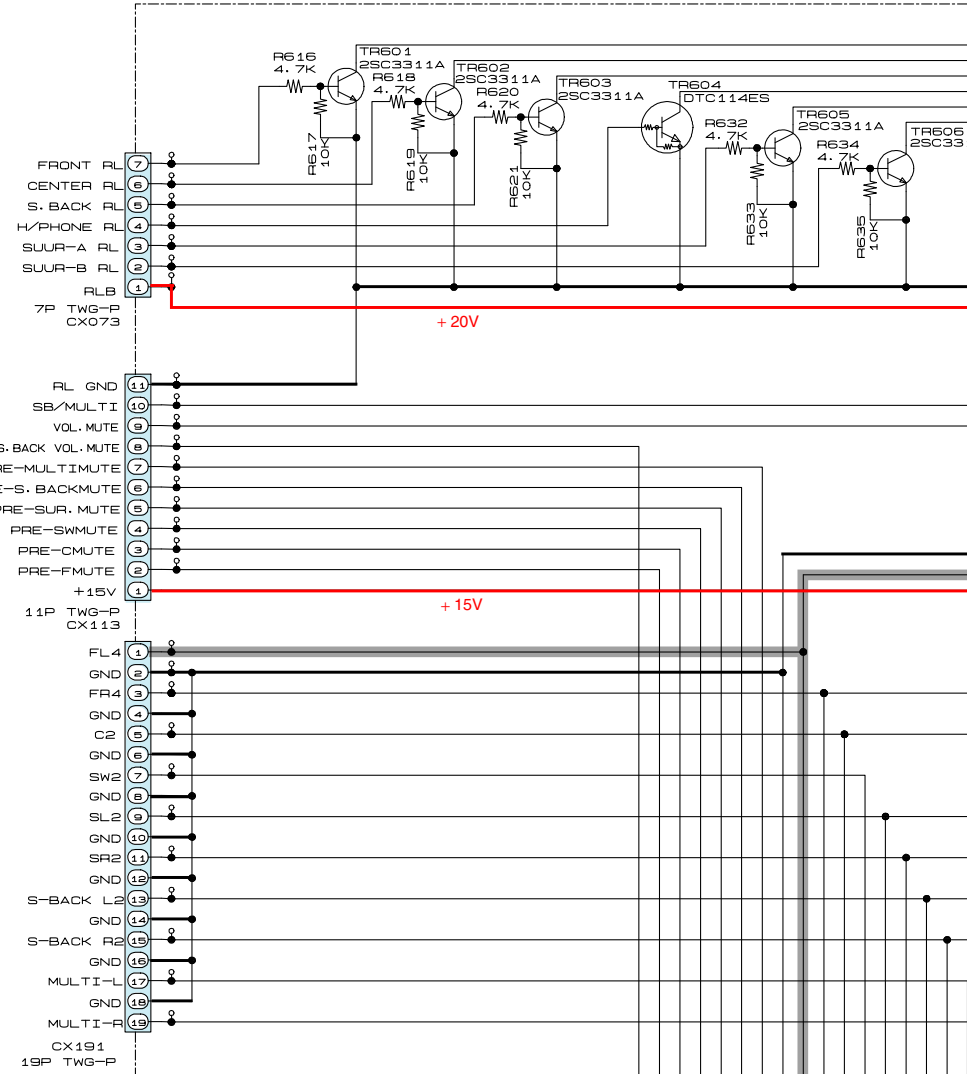
C

D

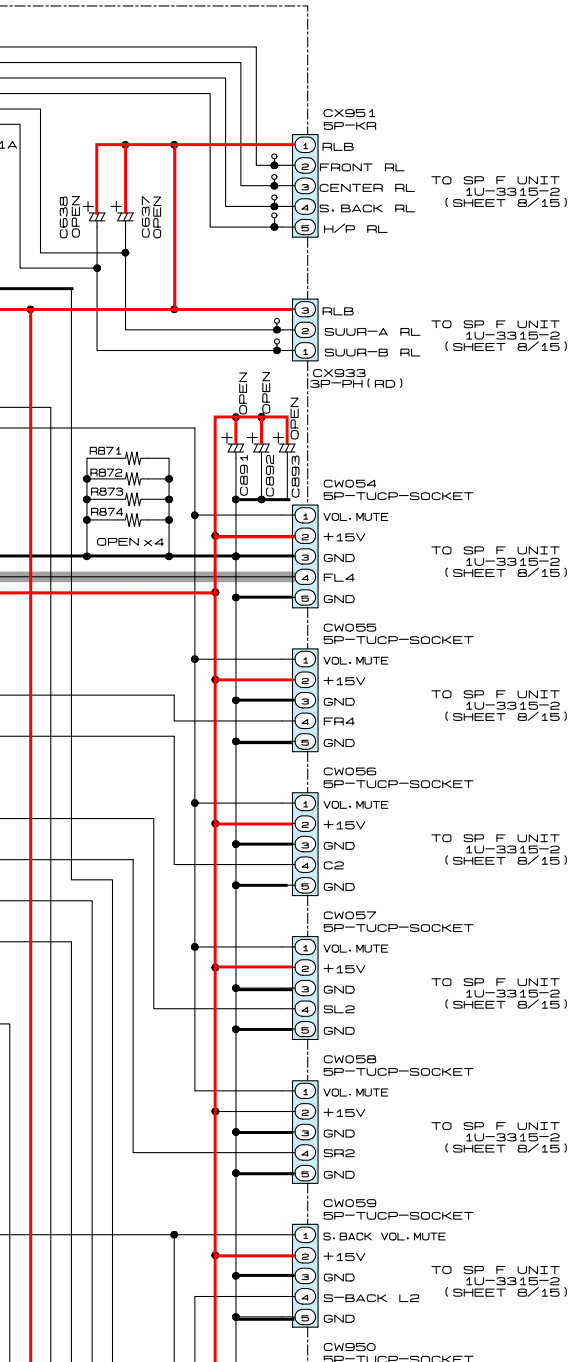
TO CONNECT UNIT
1U-3317-2
(SHEET 6/15)

TO CONNECT UNIT
1U-3317-3
(SHEET 6/15)

TO CONNECT UNIT
1U-3317-E
(SHEET 6/15)



FRONT L

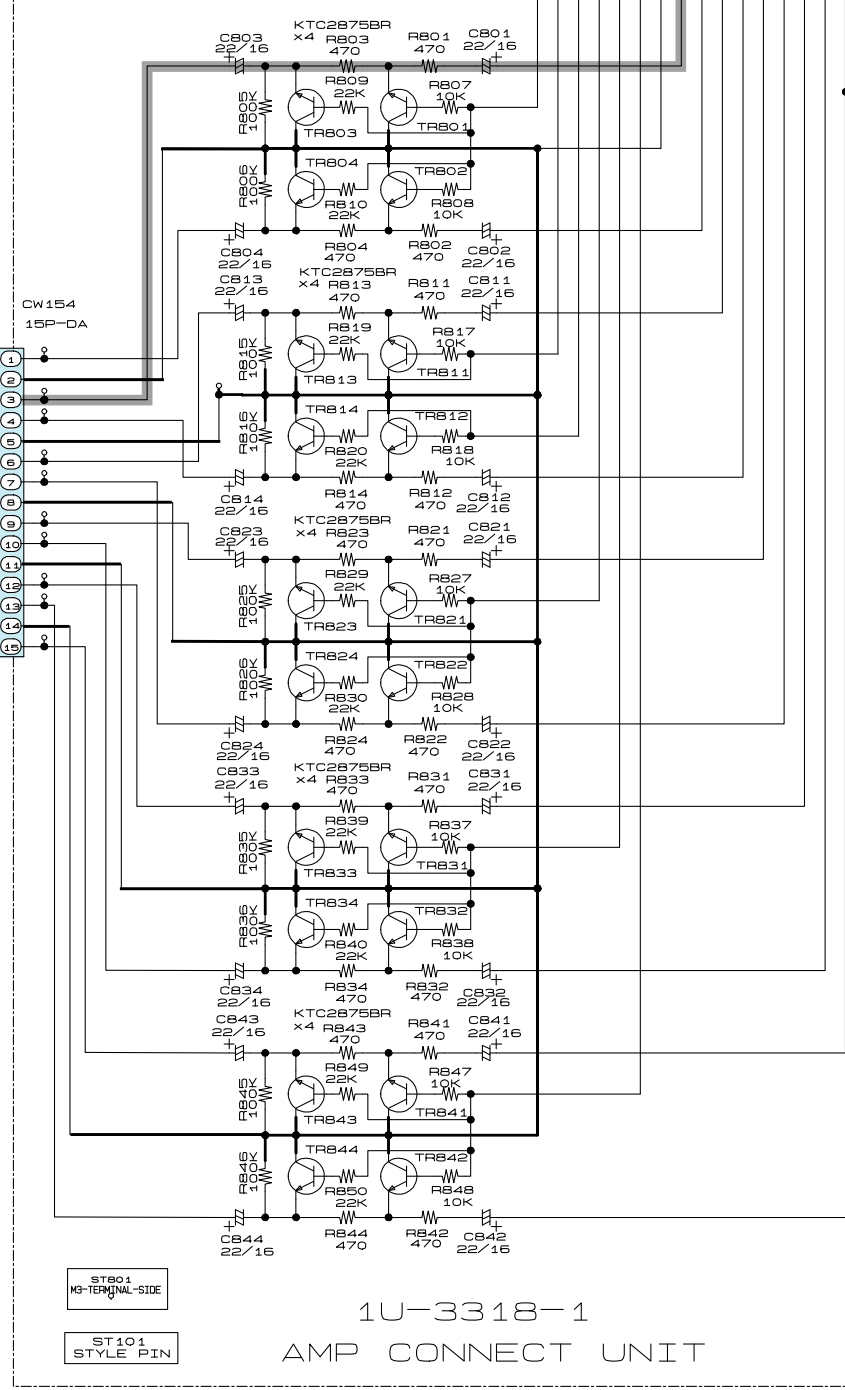
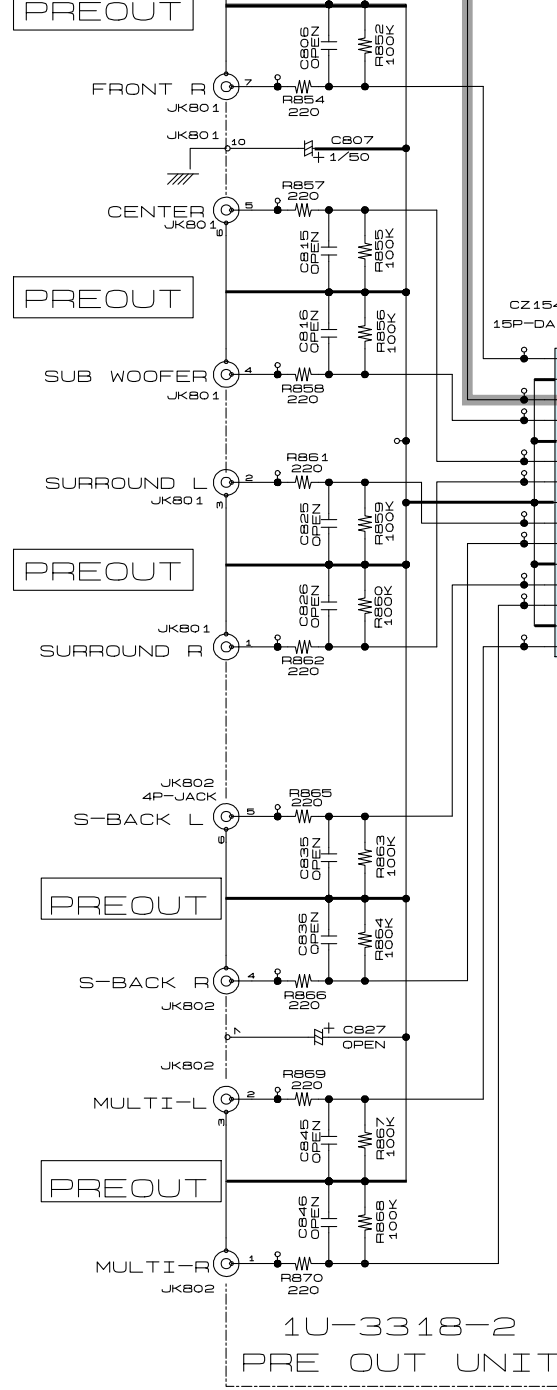


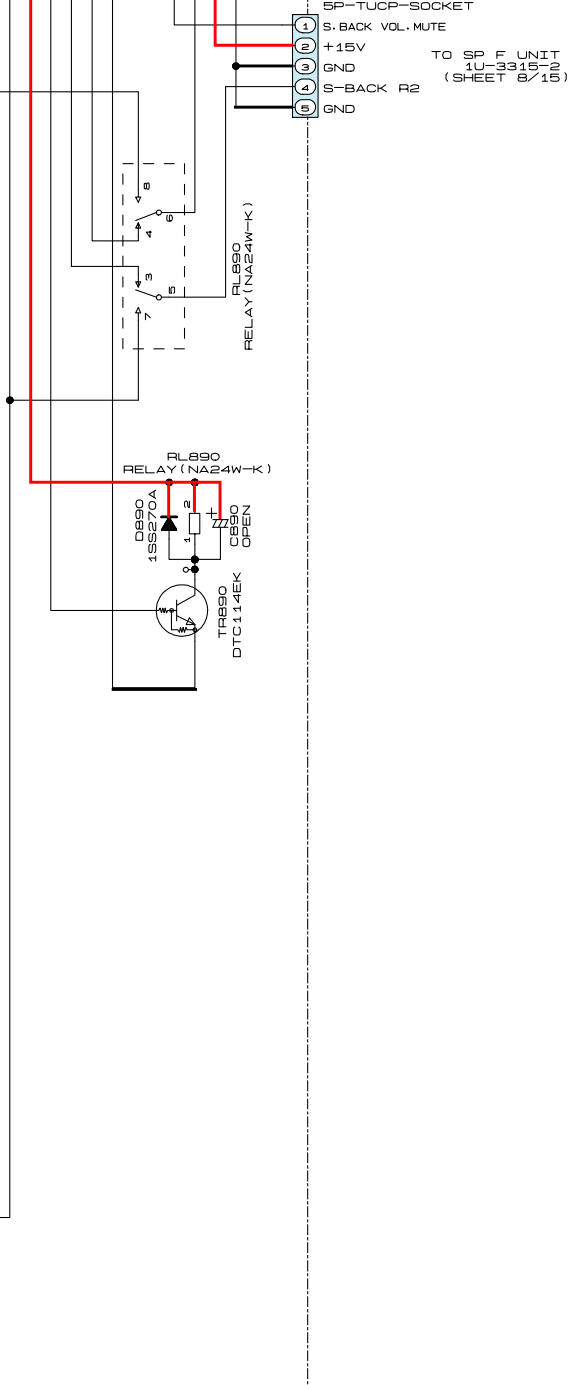
E

F

G

H






NOTICE

ALL RESISTANCE VALUES IN OHM. k=1,000 OHM M=1,000,000 OHM
 ALL CAPACITANCE VALUES IN MICRO FARAD. P=MICRO-MICRO FARAD
 EACH VOLTAGE AND CURRENT ARE MEASURED AT NO SIGNAL INPUT
 CONDITION.
 CIRCUIT AND PARTS ARE SUBJECT TO CHANGE WITHOUT PRIOR
 NOTICE.

WARNING:

Parts marked with this symbol  have critical characteristics.
 Use ONLY replacement parts recommended by the manufacture.

CAUTION:

Before returning the unit to the customer, make sure you make either (1) a leakage current check or (2) a line to chassis resistance check. If the leakage current exceeds 0.5 milliamps, or if the resistance from chassis to either side of the power card is less than 460 kohms, the unit is defective.

WARNING:

DO NOT return the unit to the customer until the problem is located and corrected.

SCHEMATIC DIAGRAMS (7/15)

1U-3318-1 AMP CONNECT UNIT
 1U 3318-2 PRE OUT UNIT

SCHEMATIC DIAGRAMS (8/15)

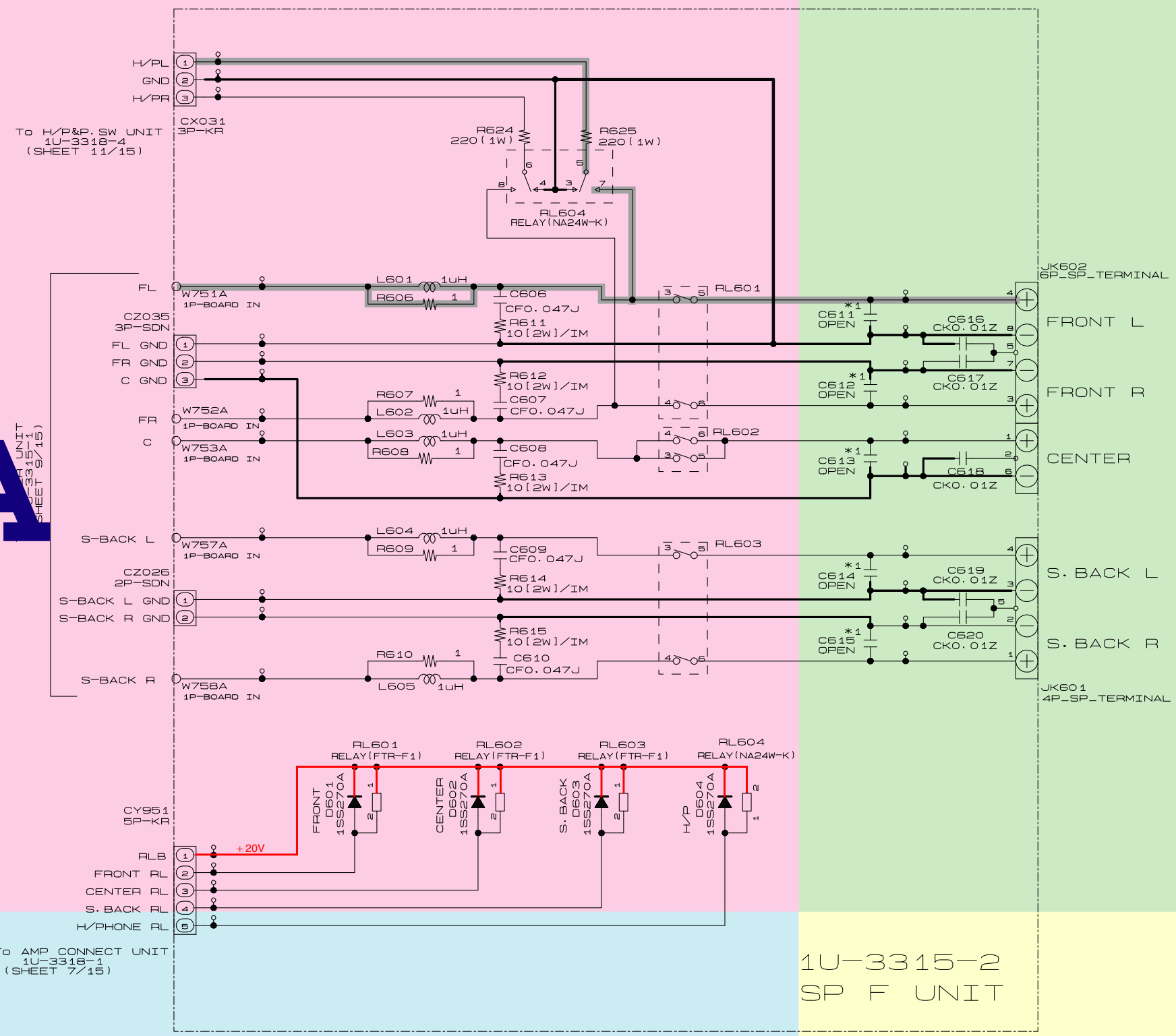
1 2 3 4 5 6 7 8 9 10 11

A

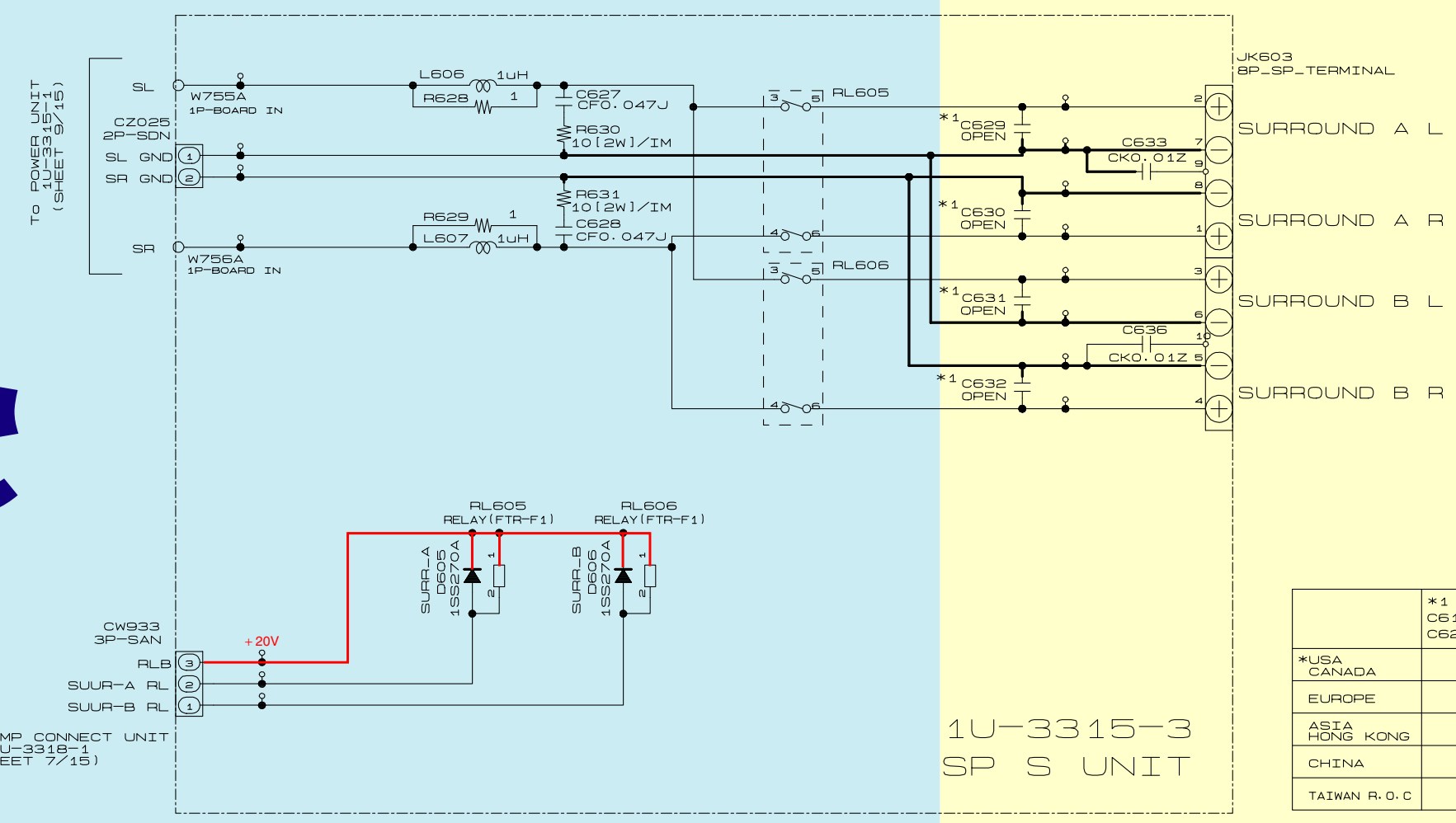
B

C

D



1U-3315-2
SP F UNIT



1U-3315-3
SP S UNIT

— + B LINE
— SIGNAL

	*1 C611, 612, 613, 614, 615 C629, 630, 631, 632
*USA CANADA	OPEN
EUROPE	C00.01
ASIA HONG KONG	OPEN
CHINA	OPEN
TAIWAN R.O.C	C00.01

NOTICE
ALL RESISTANCE VALUES IN OHM. k=1,000 OHM M=1,000,000 OHM
ALL CAPACITANCE VALUES IN MICRO FARAD. P=MICRO-MICRO FARAD
EACH VOLTAGE AND CURRENT ARE MEASURED AT NO SIGNAL INPUT
CONDITION.
CIRCUIT AND PARTS ARE SUBJECT TO CHANGE WITHOUT PRIOR
NOTICE.

WARNING:
Parts marked with this symbol have critical characteristics.
Use ONLY replacement parts recommended by the manufacture.

CAUTION:
Before returning the unit to the customer, make sure you make either (1) a
leakage current check or (2) a line to chassis resistance check. If the leakage
current exceeds 0.5 milliamps, or if the resistance from chassis to either side
of the power card is less than 460 kohms, the unit is defective.

WARNING:
DO NOT return the unit to the customer until the problem is located and
corrected.

SCHEMATIC DIAGRAMS (8/15)

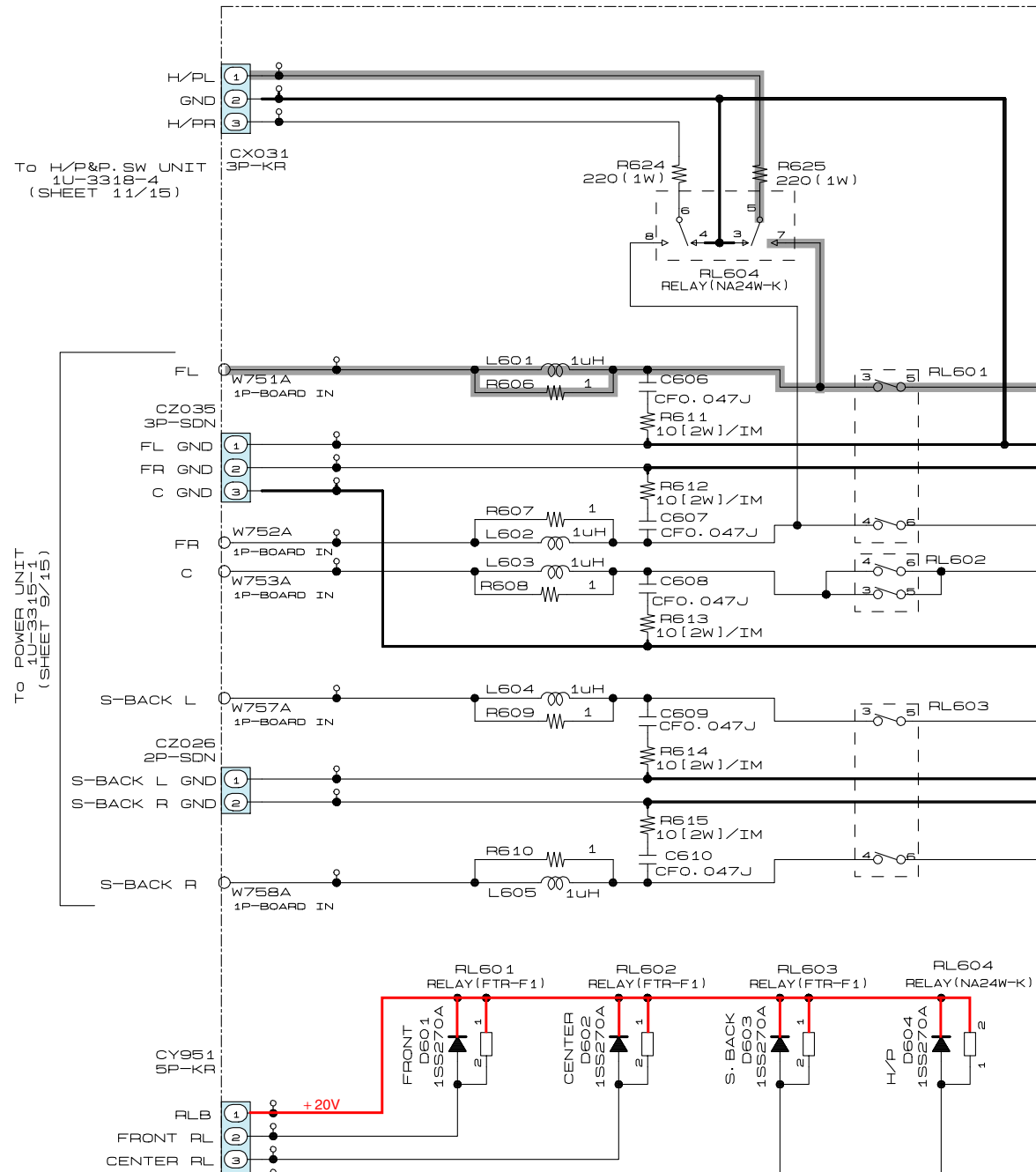
1

2

3

4

5



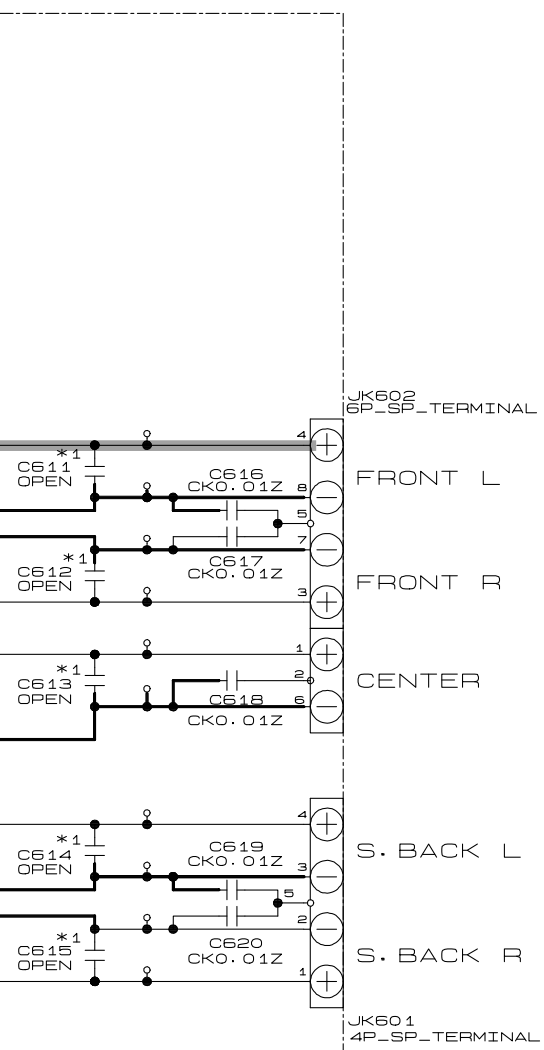
6 7 8 9 10 11

A

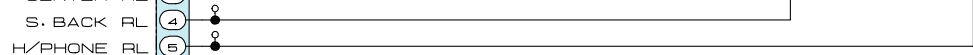
B

C

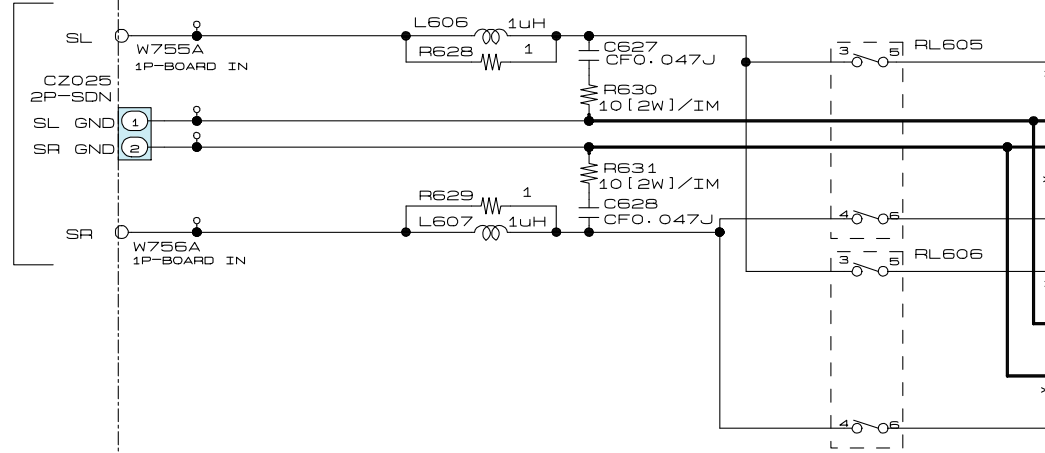
D



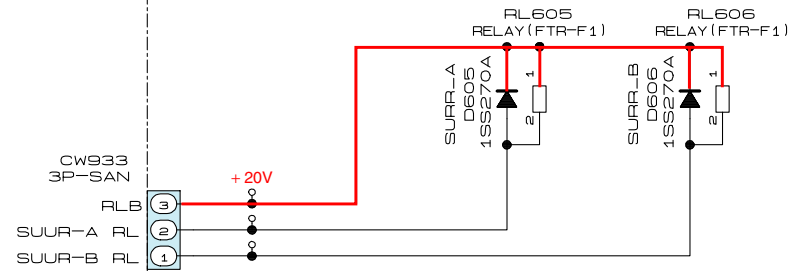
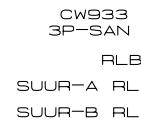
To AMP CONNECT UNIT
1U-3318-1
(SHEET 7/15)



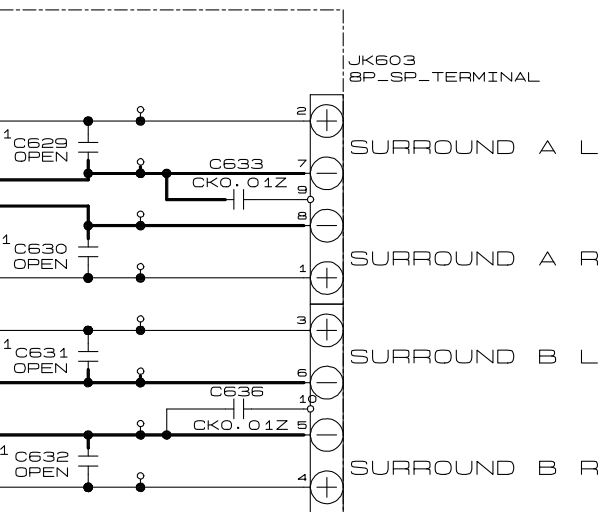
To POWER UNIT
(SHEET 9/15)



To AMP CONNECT UNIT
1U-3318-1
(SHEET 7/15)



1U-3315-2
SP F UNIT



1U-3315-3
SP S UNIT

	*1 C611, 612, 613, 614, 615 C629, 630, 631, 632
*USA CANADA	OPEN
EUROPE	CQO .01
ASIA HONG KONG	OPEN
CHINA	OPEN
TAIWAN R. O. C	CQO .01

— + B LINE
— SIGNAL

NOTICE

ALL RESISTANCE VALUES I N OHM. k=1,000 OHM M=1,000,000 OHM
ALL CAPACITANCE VALUES I N MICRO FARAD. P=MICRO-MICRO FARAD
EACH VOLTAGE AND CURRENT ARE MEASUERD AT NO SIGNAL INPUT
CONDITION.
CIRCUIT AND PARTS ARE SUBJECT TO CHANGE WITHOUT PRIOR
NOTICE.

WARNING:

Parts marked with this symbol have critical characteristics.
Use ONLY replacement parts recommended by the manufacture.

CAUTION:

Before returning the unit to the customer, make sure you make either (1) a leakage current check or (2) a line to chassis resistance check. If the leakage current exceeds 0.5 milliamps, or if the resistance from chassis to either side of the power card is less than 460 kohms, the unit is defective.

WARNING:

DO NOT return the unit to the customer until the problem is located and corrected.

SCHEMATIC DIAGRAMS (8/15)

1U-3315-2 SP F UNIT
1U-3315-3 SP S UNIT

E

F

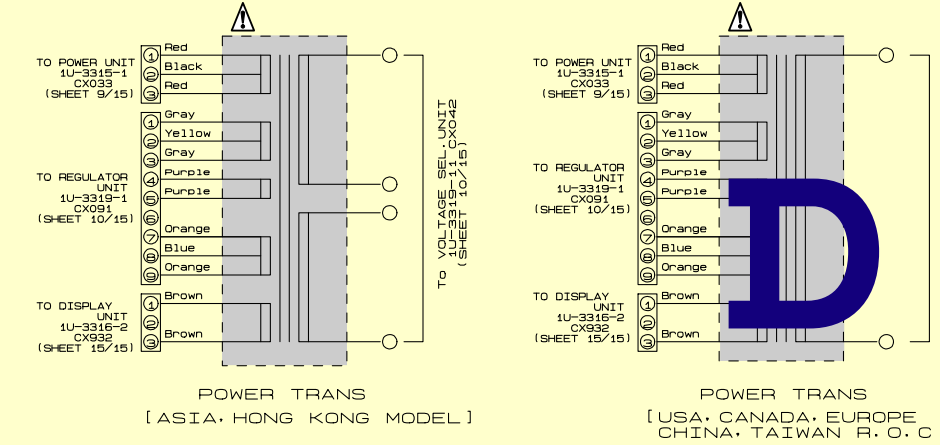
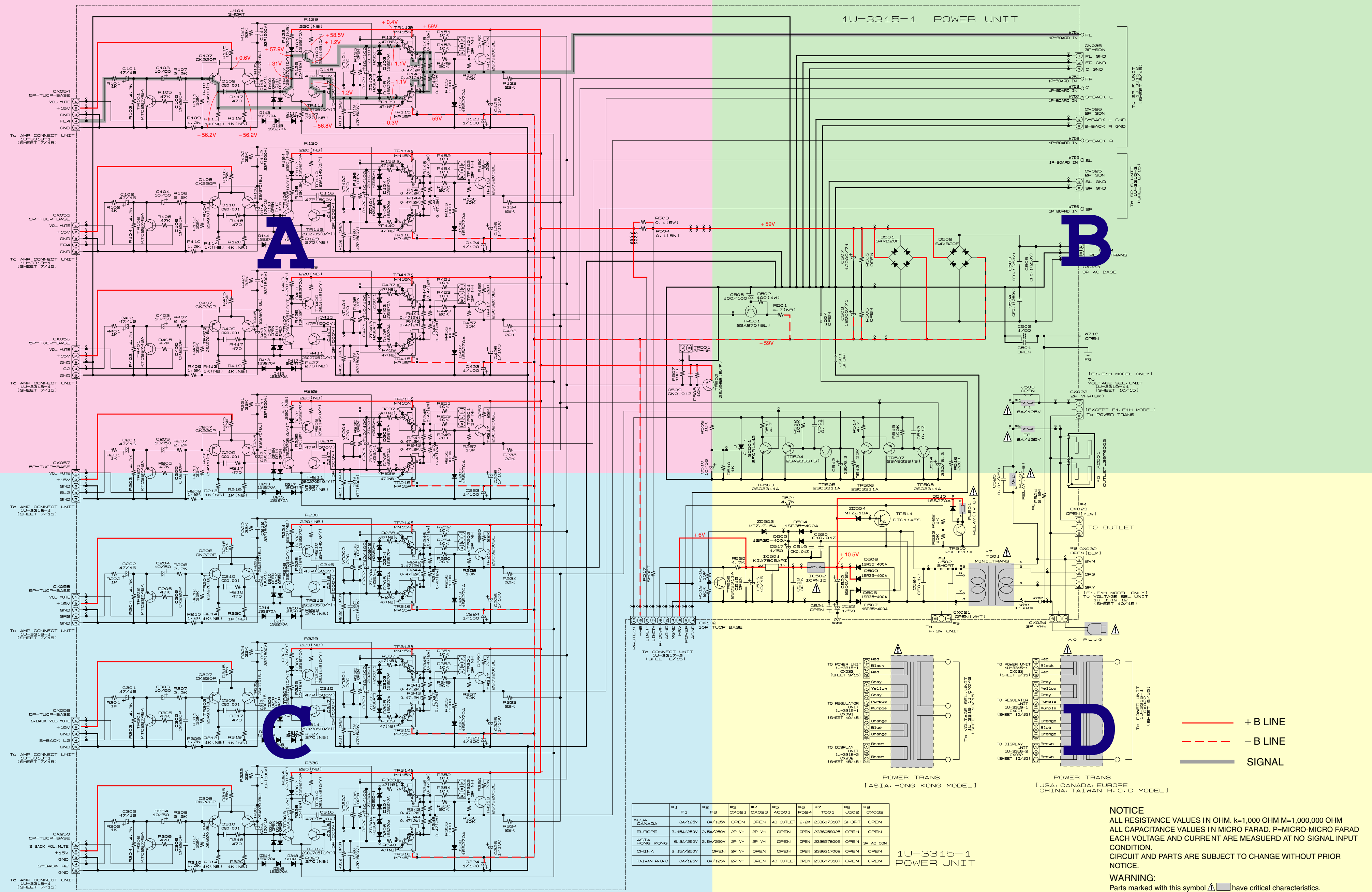
G

H

SCHEMATIC DIAGRAMS (9/15)

1 2 3 4 5 6 7 8 9 10 11

A B C D E F G H



	*1	*2	*3	*4	*5	*6	*7	*8
*USA	F1	FB	CX021	CX023	AC501	FB504	T501	FB502
CANADA	8A/125V	8A/125V	OPEN	OPEN	AC OUTLET	2.2M	2386073107	SHORT
EUROPE	3.15A/250V	2.5A/250V	2P VH	2P VH	OPEN	OPEN	2386058025	OPEN
HONG KONG	6.3A/250V	2.5A/250V	2P VH	2P VH	OPEN	OPEN	2386278009	OPEN
CHINA	3.15A/250V	2.5A/250V	2P VH	2P VH	OPEN	OPEN	2386317009	OPEN
TAIWAN R.O.C.	8A/125V	8A/125V	2P VH	OPEN	AC OUTLET	OPEN	2386073107	OPEN

1U-3315-1 POWER UNIT

NOTICE
 ALL RESISTANCE VALUES IN OHM. k=1,000 OHM M=1,000,000 OHM
 ALL CAPACITANCE VALUES IN MICRO FARAD. P=MICRO-MICRO FARAD
 EACH VOLTAGE AND CURRENT ARE MEASURED AT NO SIGNAL INPUT
 CONDITION.
 CIRCUIT AND PARTS ARE SUBJECT TO CHANGE WITHOUT PRIOR
 NOTICE.

WARNING:
 Parts marked with this symbol have critical characteristics.
 Use ONLY replacement parts recommended by the manufacturer.

CAUTION:
 Before returning the unit to the customer, make sure you make either (1) a
 leakage current check or (2) a line to chassis resistance check. If the leakage
 current exceeds 0.5 millamps, or if the resistance from chassis to either side
 of the power card is less than 460 kohms, the unit is defective.

WARNING:
 DO NOT return the unit to the customer until the problem is located and
 corrected.

SCHEMATIC DIAGRAMS (9/15)

1

2

3

4

5

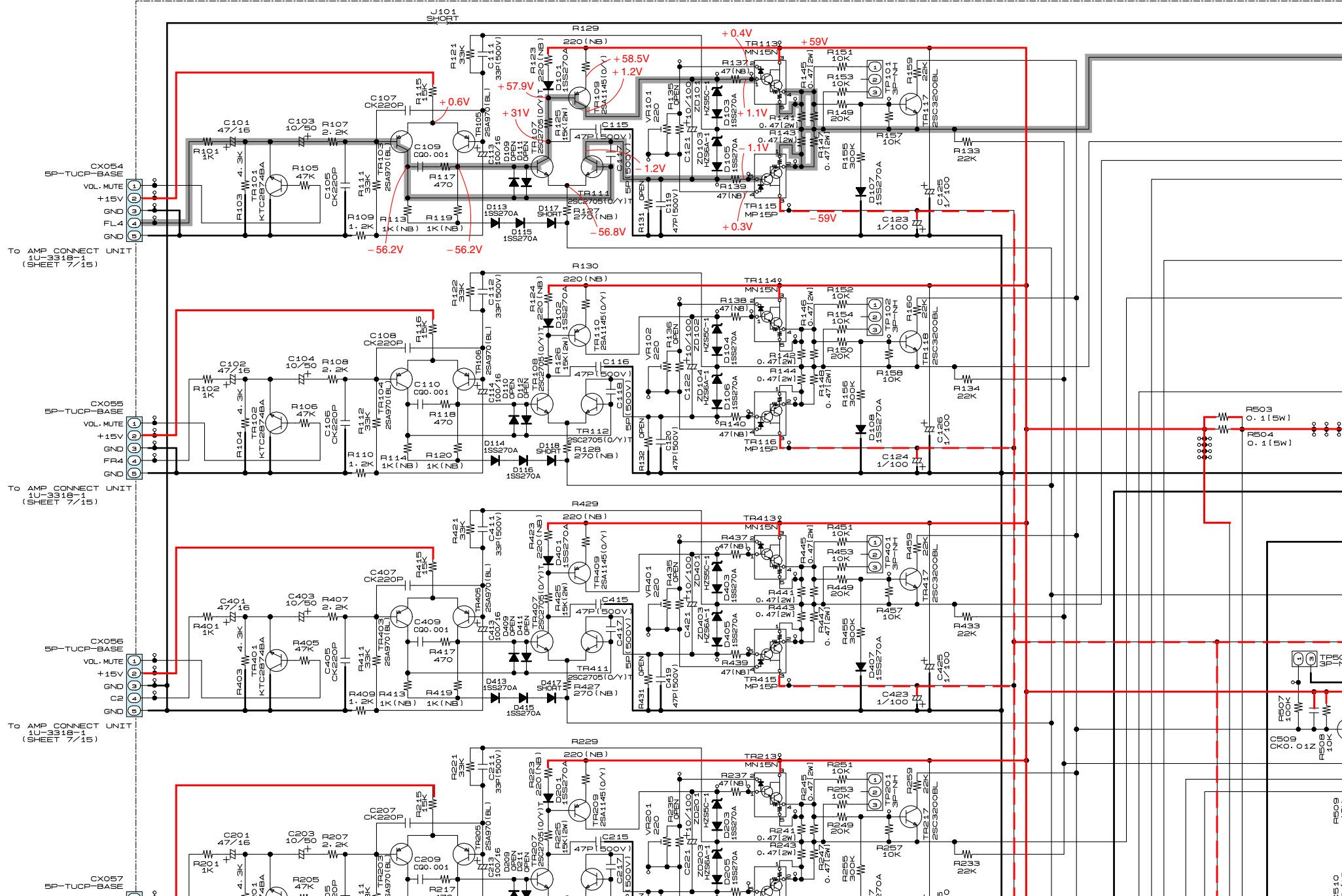
6

A

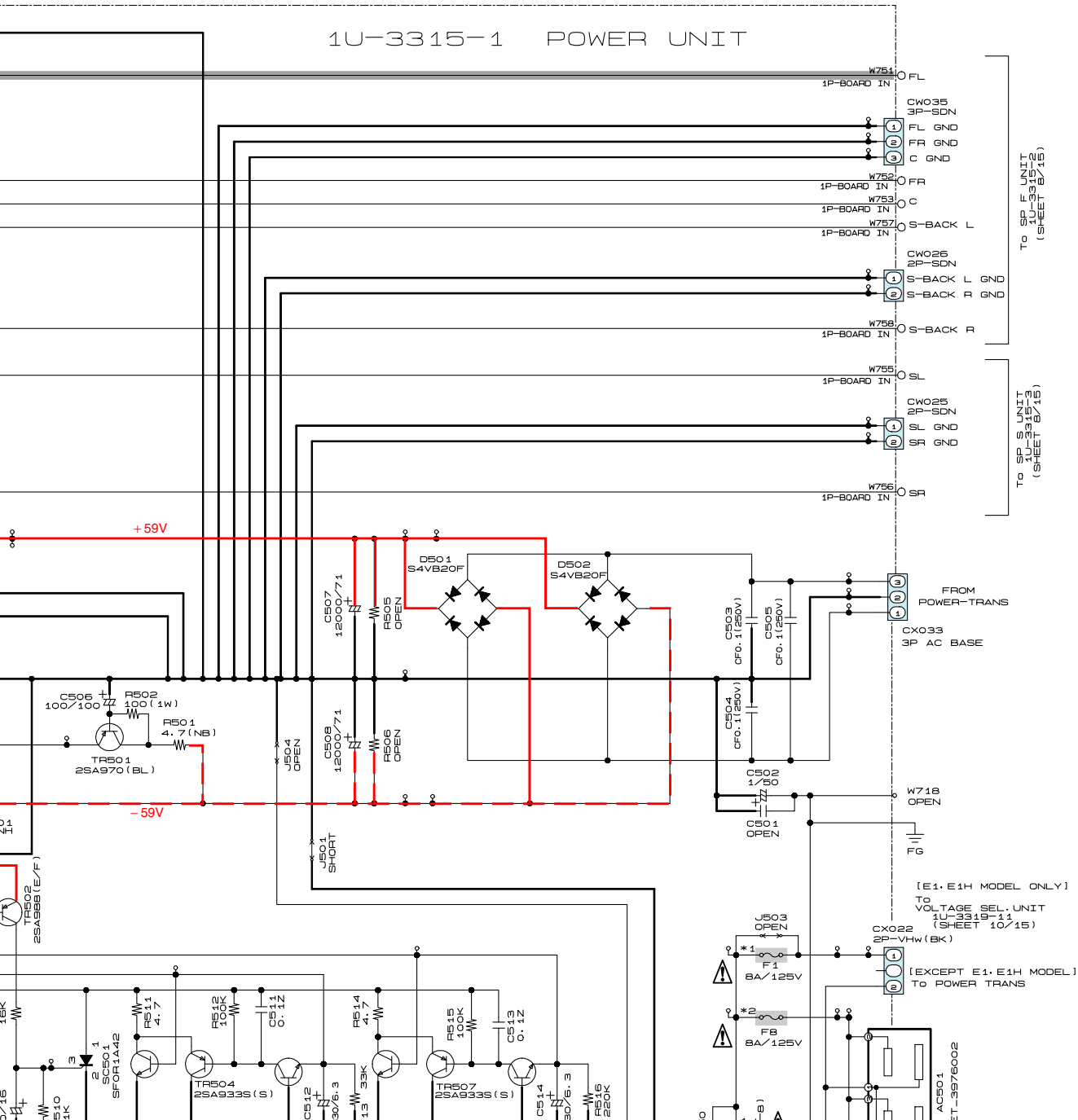
B

C

D



1U-3315-1 POWER UNIT



To SP E UNIT
(1U-3315-2
SHEET 8/15)

To SP S UNIT
(1U-3315-3
SHEET 8/15)

FROM
POWER-TRANS
CX033
3P AC BASE

[E1, E1H MODEL ONLY]
TO
VOLTAGE SEL. UNIT
1U-3315-11
(SHEET 10/15)

[EXCEPT E1, E1H MODEL]
TO POWER TRANS

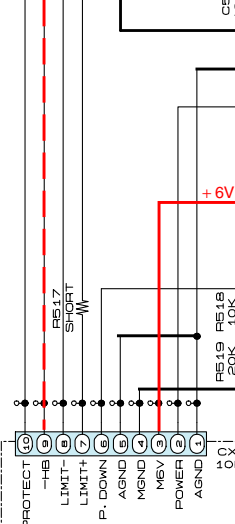
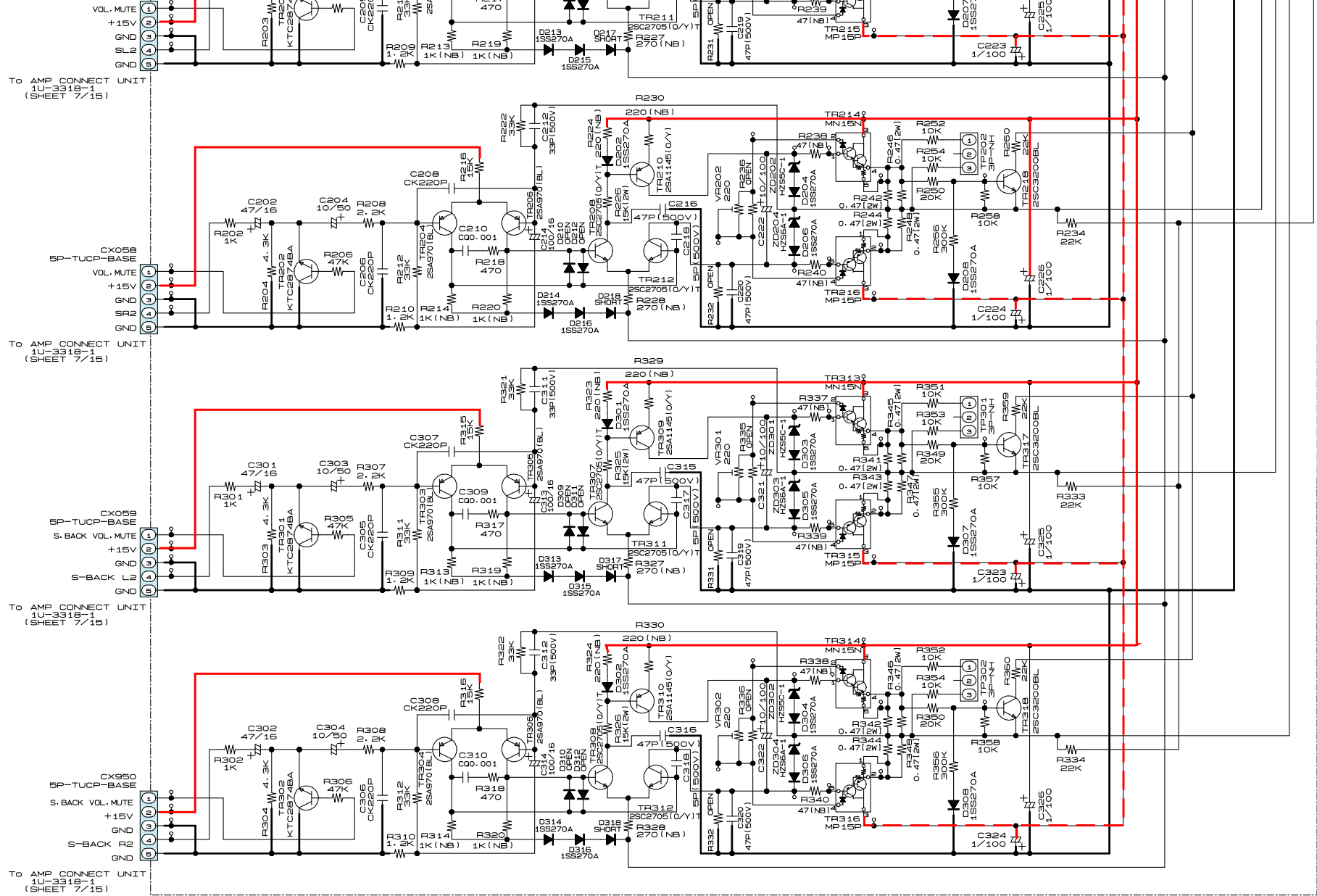
AC501
ET-3976002

E

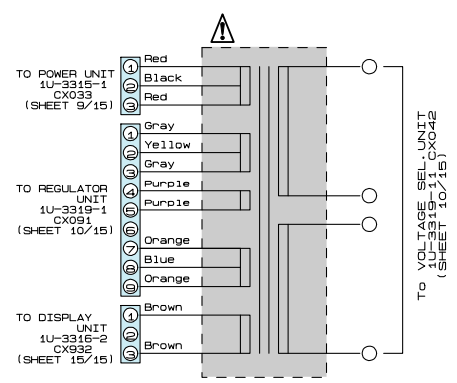
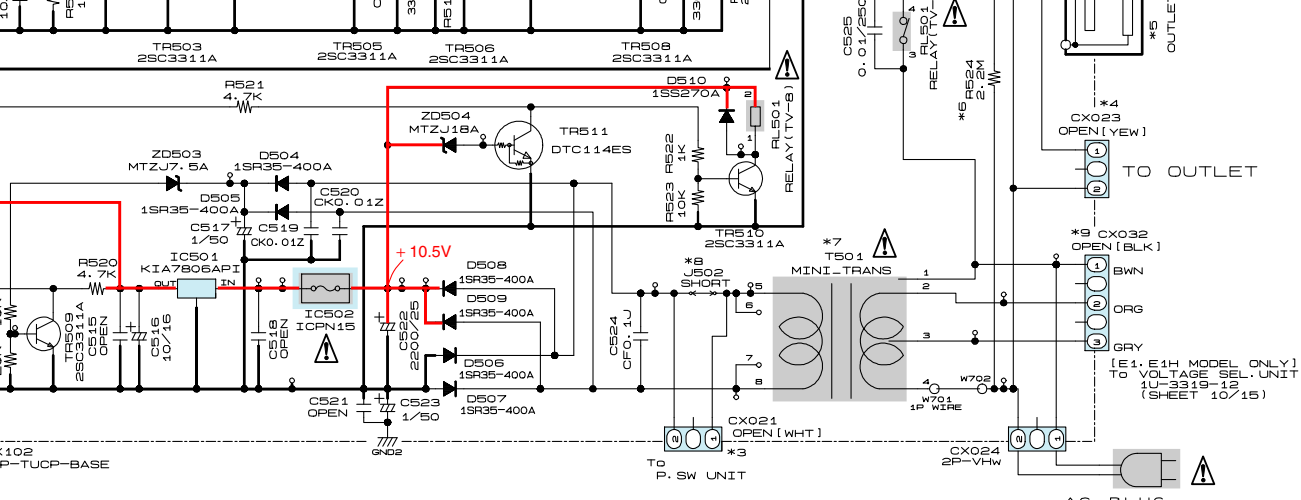
F

G

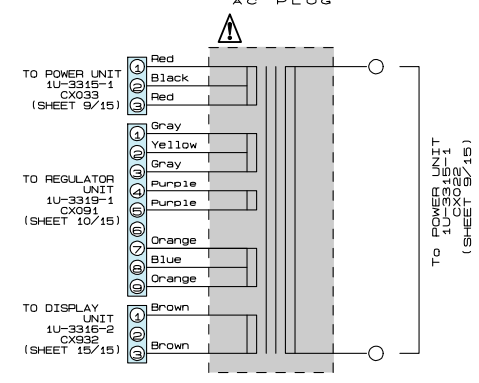
H



	*1	F 1	*
*USA CANADA		8A/125V	
EUROPE		3.15A/250V	2
ASIA HONG KONG		6.3A/250V	2
CHINA		3.15A/250V	
TAIWAN R. O. C		8A/125V	



POWER TRANS
[ASIA, HONG KONG MODEL]



POWER TRANS
[USA, CANADA, EUROPE
CHINA, TAIWAN R. O. C MODEL]

2 FB	*3 CX021	*4 CX023	*5 AC501	*6 R524	*7 T501	*8 J502	*9 CX032
8A/125V	OPEN	OPEN	AC OUTLET	2.2M	2336073107	SHORT	OPEN
5A/250V	2P VH	2P VH	OPEN	OPEN	2336058025	OPEN	OPEN
5A/250V	2P VH	2P VH	OPEN	OPEN	2336278009	OPEN	3P AC CON
OPEN	2P VH	OPEN	OPEN	OPEN	2336317009	OPEN	OPEN
8A/125V	2P VH	OPEN	AC OUTLET	OPEN	2336073107	OPEN	OPEN

1U-3315-1
POWER UNIT

SCHEMATIC DIAGRAMS (9/15)

1U-3315-1 POWER UNIT

NOTICE

ALL RESISTANCE VALUES IN OHM. k=1,000 OHM M=1,000,000 OHM
 ALL CAPACITANCE VALUES IN MICRO FARAD. P=MICRO-MICRO FARAD
 EACH VOLTAGE AND CURRENT ARE MEASURED AT NO SIGNAL INPUT
 CONDITION.
 CIRCUIT AND PARTS ARE SUBJECT TO CHANGE WITHOUT PRIOR
 NOTICE.

WARNING:

Parts marked with this symbol have critical characteristics.
 Use ONLY replacement parts recommended by the manufacture.

CAUTION:

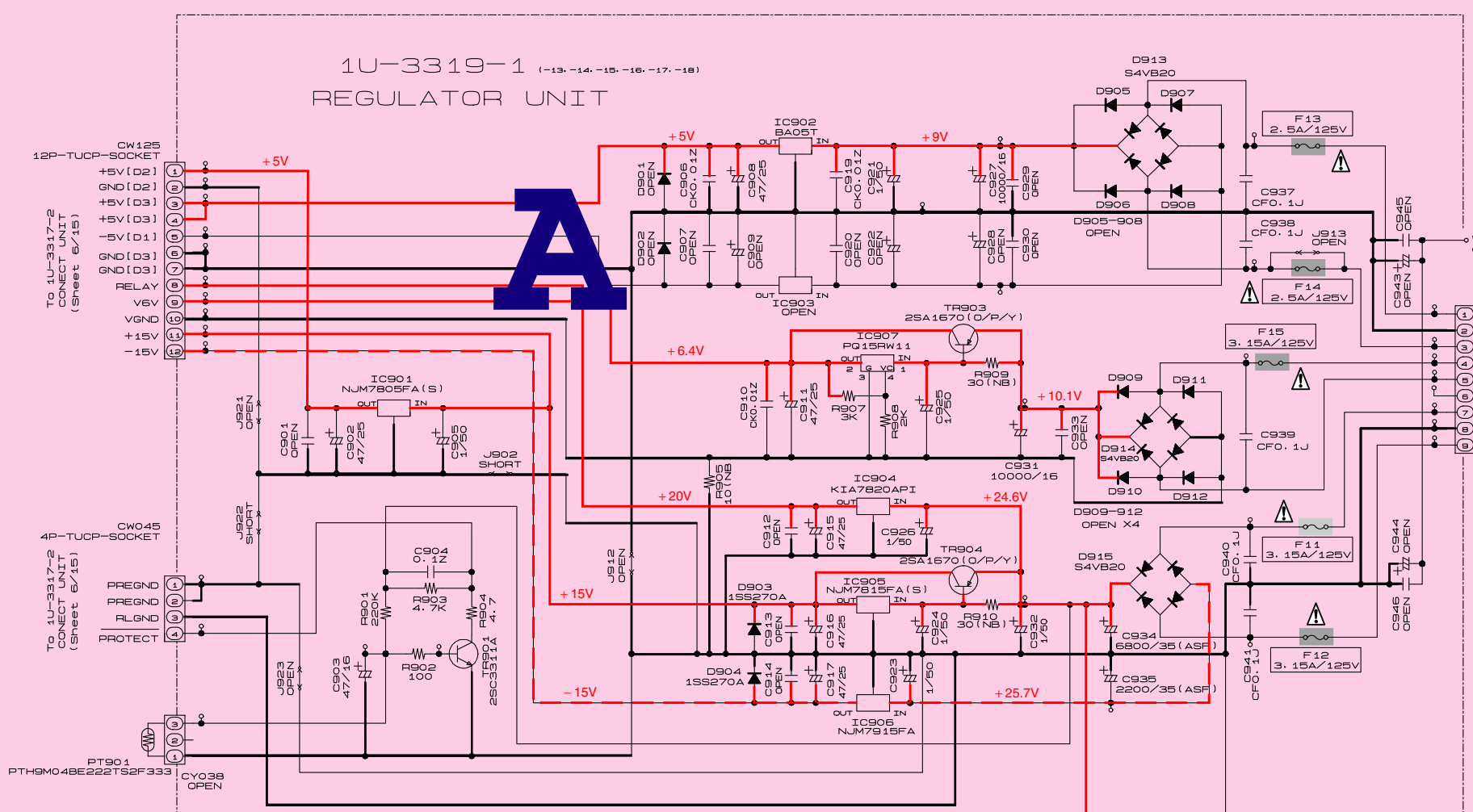
Before returning the unit to the customer, make sure you make either (1) a leakage current check or (2) a line to chassis resistance check. If the leakage current exceeds 0.5 milliamps, or if the resistance from chassis to either side of the power card is less than 460 kohms, the unit is defective.

WARNING:

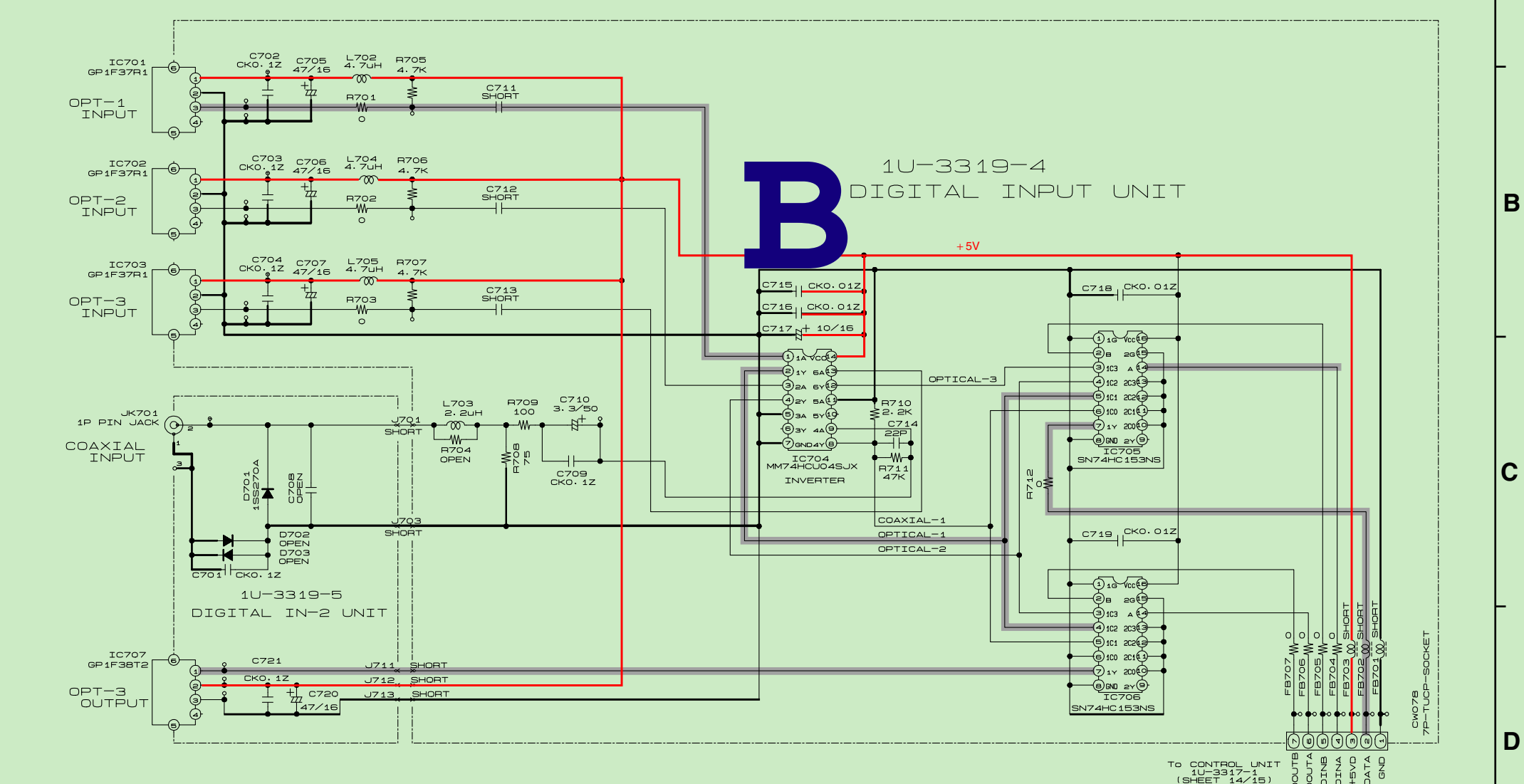
DO NOT return the unit to the customer until the problem is located and corrected.

SCHEMATIC DIAGRAMS (10/15)

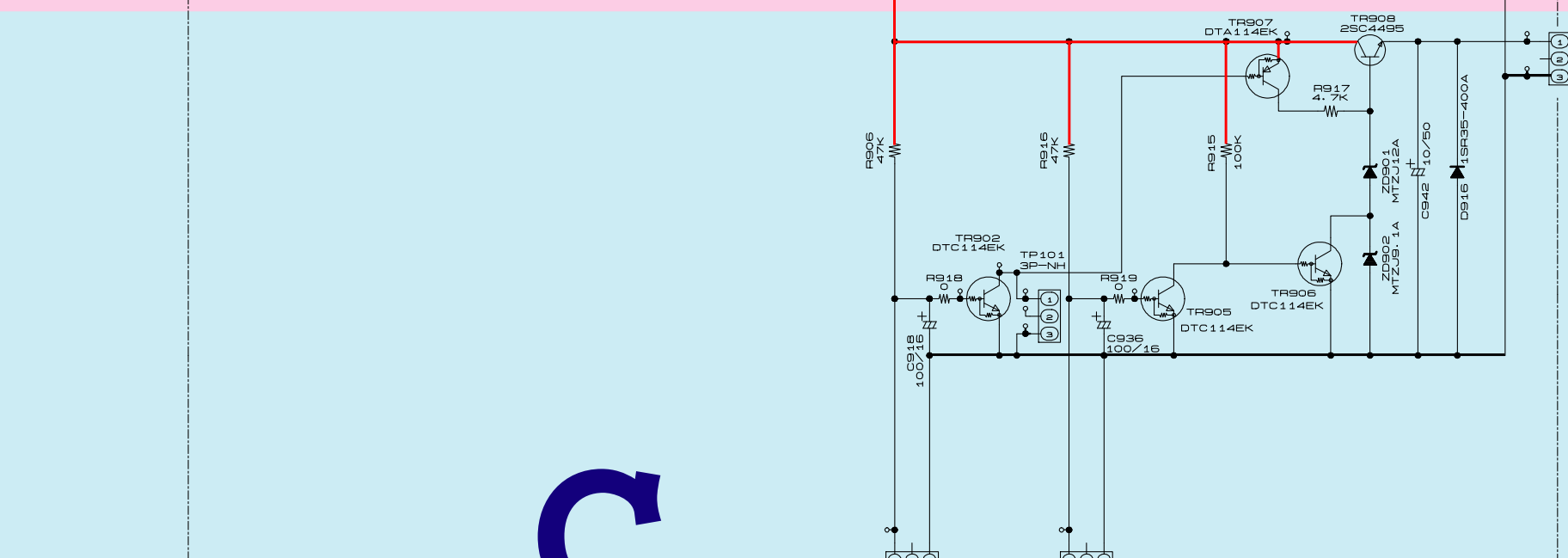
1 2 3 4 5 6 7 8 9 10 11



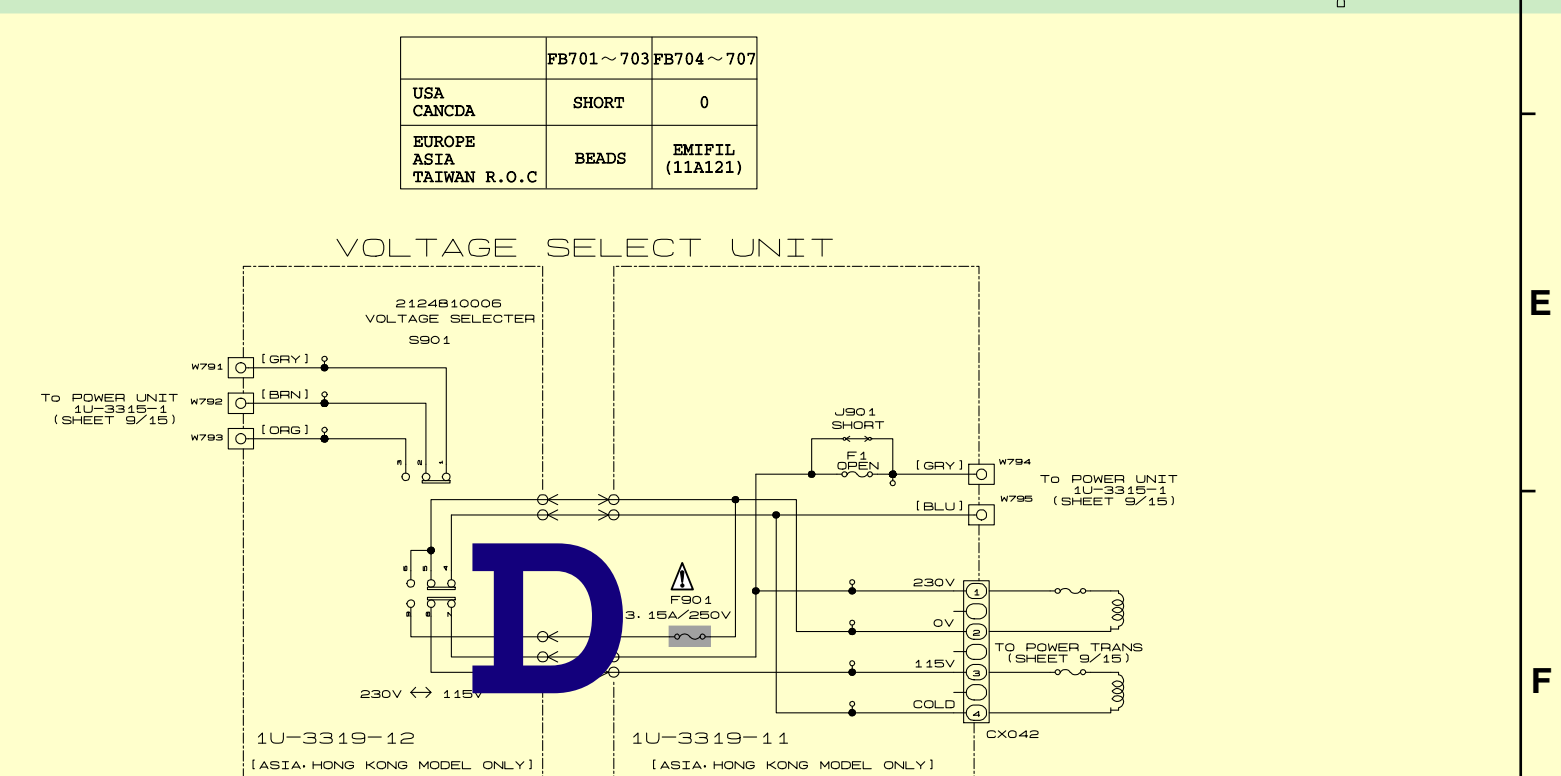
A



B

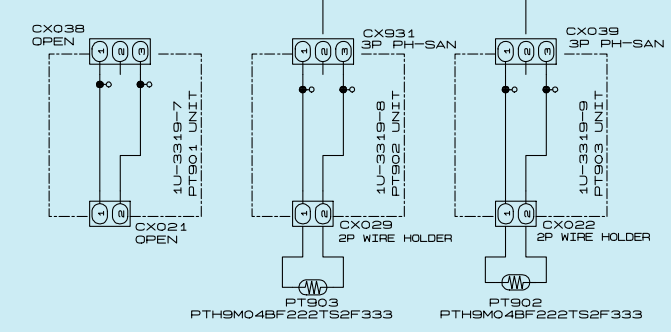


C



D

	*1	*2
	F11, 12, 15	F13, 14
USA CANADA TAIWAN R.O.C	3. 15A/125V	2. 5A/125V
EUROPE ASIA HONG KONG CHINA	3. 15A/250V	2. 5A/250V



NOTICE
ALL RESISTANCE VALUES IN OHM. k=1,000 OHM M=1,000,000 OHM
ALL CAPACITANCE VALUES IN MICRO FARAD. P=MICRO-MICRO FARAD
EACH VOLTAGE AND CURRENT ARE MEASURED AT NO SIGNAL INPUT CONDITION.
CIRCUIT AND PARTS ARE SUBJECT TO CHANGE WITHOUT PRIOR NOTICE.

WARNING:
Parts marked with this symbol have critical characteristics. Use ONLY replacement parts recommended by the manufacturer.
CAUTION:
Before returning the unit to the customer, make sure you make either (1) a leakage current check or (2) a line to chassis resistance check. If the leakage current exceeds 0.5 milliamps, or if the resistance from chassis to either side of the power card is less than 460 kohms, the unit is defective.
WARNING:
DO NOT return the unit to the customer until the problem is located and corrected.

SCHEMATIC DIAGRAMS (10/15)
1U-3319-1 REGULATOR UNIT
1U-3319-4,5 DIGITAL INPUT UNIT
1U-3319-11/1U3319-12 VOLTAGE SELECT UNIT
1U-3319-8 PT902 UNIT
1U-3319-9 PT903 UNIT

— + B LINE
- - - - - B LINE
— SIGNAL

SCHEMATIC DIAGRAMS (10/15)

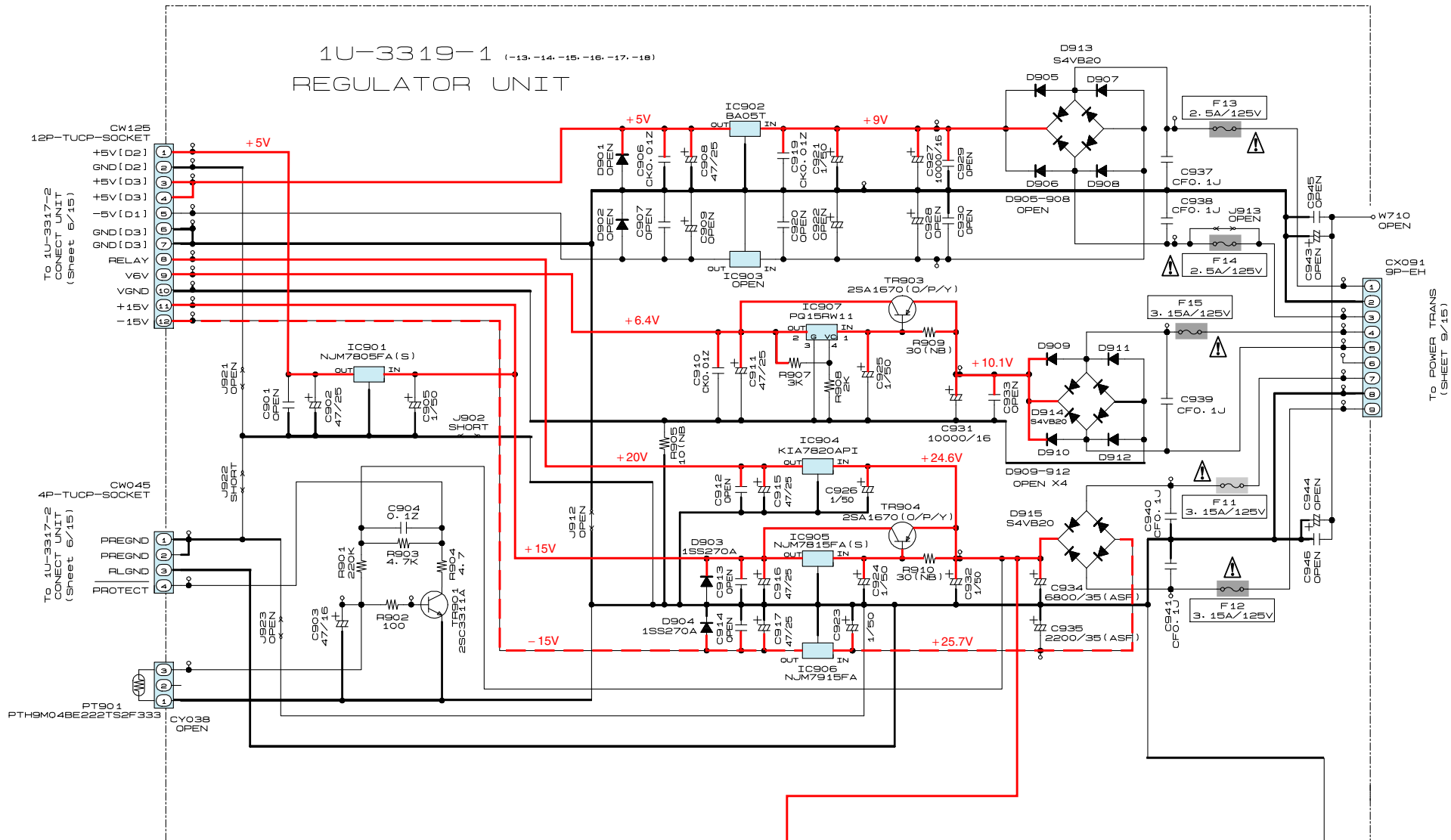
1

2

3

4

5



6

7

8

9

10

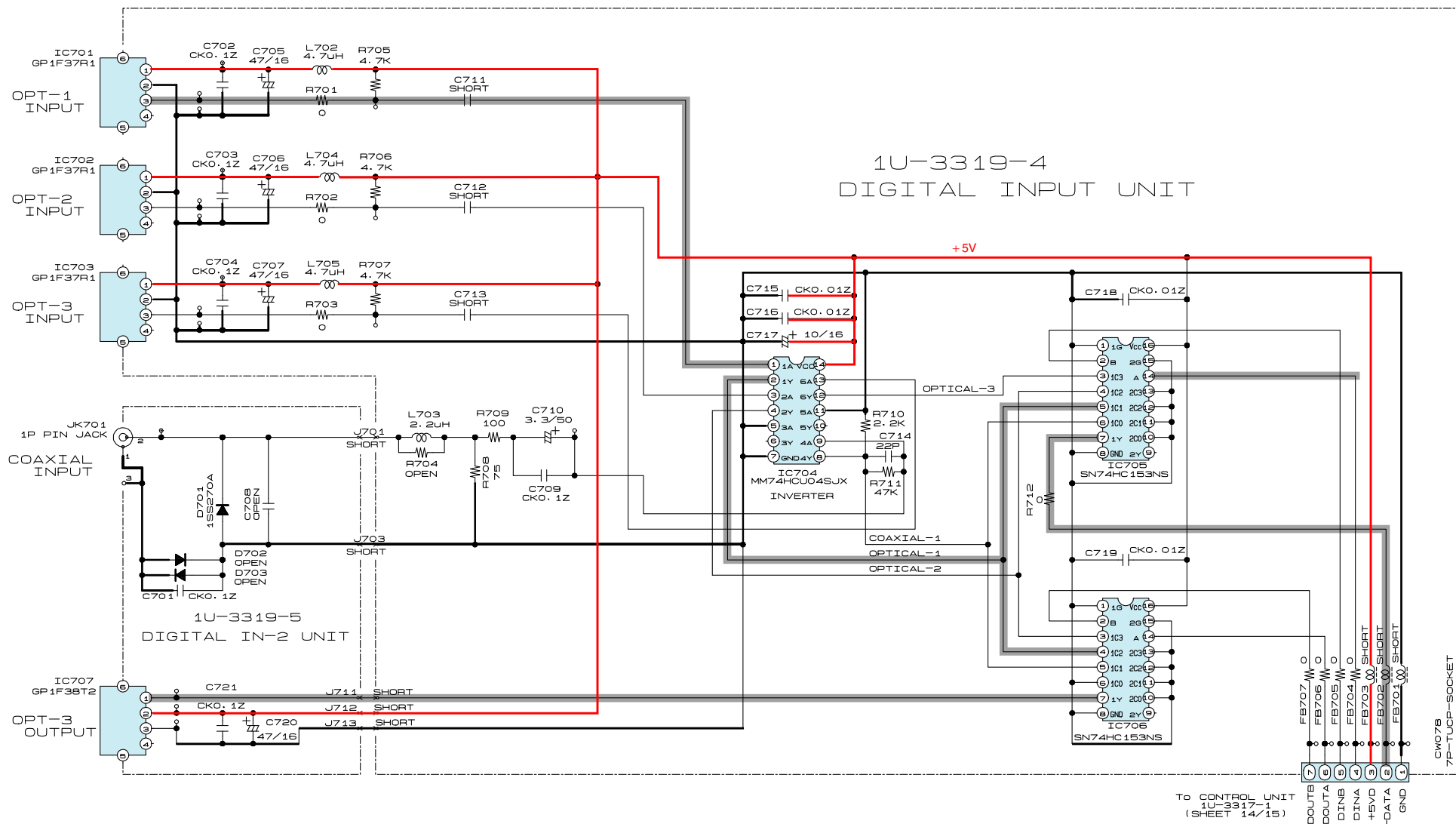
11

A

B

C

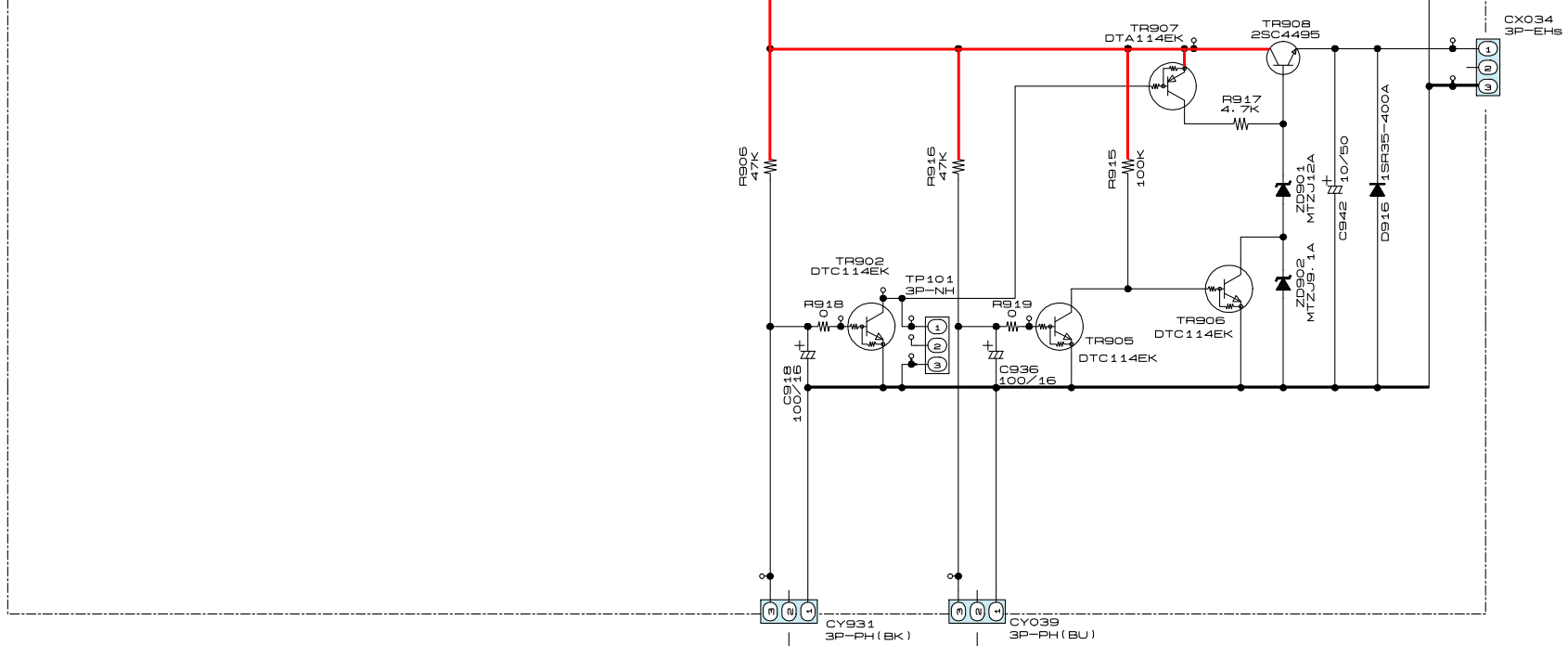
D



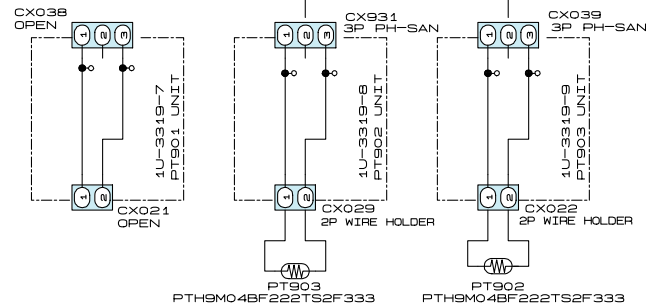
DOUBT
DOUTA
DINB
DINA
+5V
-DATA
GND

FB707 0
FB706 0
FB705 0
FB704 0
FB703 0
FB702 0
FB701 0

CW078
7P-TUCP-SOCKET



	*1	*2
*USA CANADA TAIWAN R. O. C	F 11, 12, 15 3. 15A/125V	F 13, 14 2. 5A/125V
EUROPE ASIA HONG KONG CHINA	3. 15A/250V	2. 5A/250V

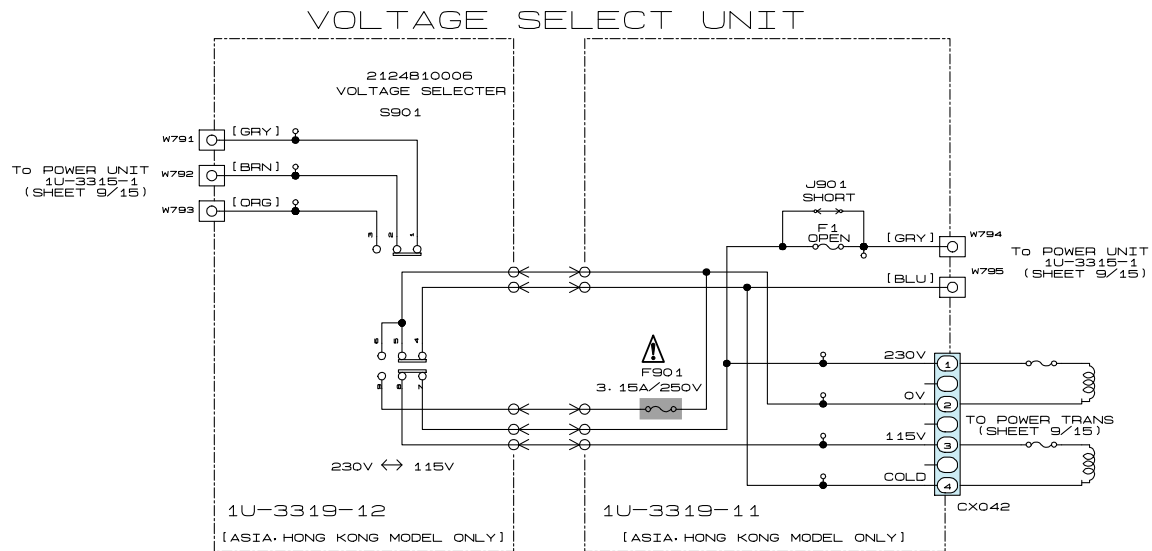


NOTICE

ALL RESISTANCE VALUES IN OHM. k=1,000 OHM M=1,000,000 OHM
 ALL CAPACITANCE VALUES IN MICRO FARAD. P=MICRO-MICRO FARAD
 EACH VOLTAGE AND CURRENT ARE MEASURED AT NO SIGNAL INPUT
 CONDITION.
 CIRCUIT AND PARTS ARE SUBJECT TO CHANGE WITHOUT PRIOR
 NOTICE.

WARNING
 Parts marked
 Use ONLY re
CAUTION:
 Before returni
 leakage curre
 current excee
 of the power c
WARNING
 DO NOT retu
 corrected.

	FB701~703	FB704~707
USA CANADA	SHORT	0
EUROPE ASIA TAIWAN R.O.C	BEADS	EMIFIL (11A121)



——— + B LINE
- - - - - - B LINE
 SIGNAL

with this symbol have critical characteristics. placement parts recommended by the manufacture.

ing the unit to the customer, make sure you make either (1) a nt check or (2) a line to chassis resistance check. If the leakage ds 0.5 milliamps, or if the resistance from chassis to either side card is less than 460 kohms, the unit is defective.

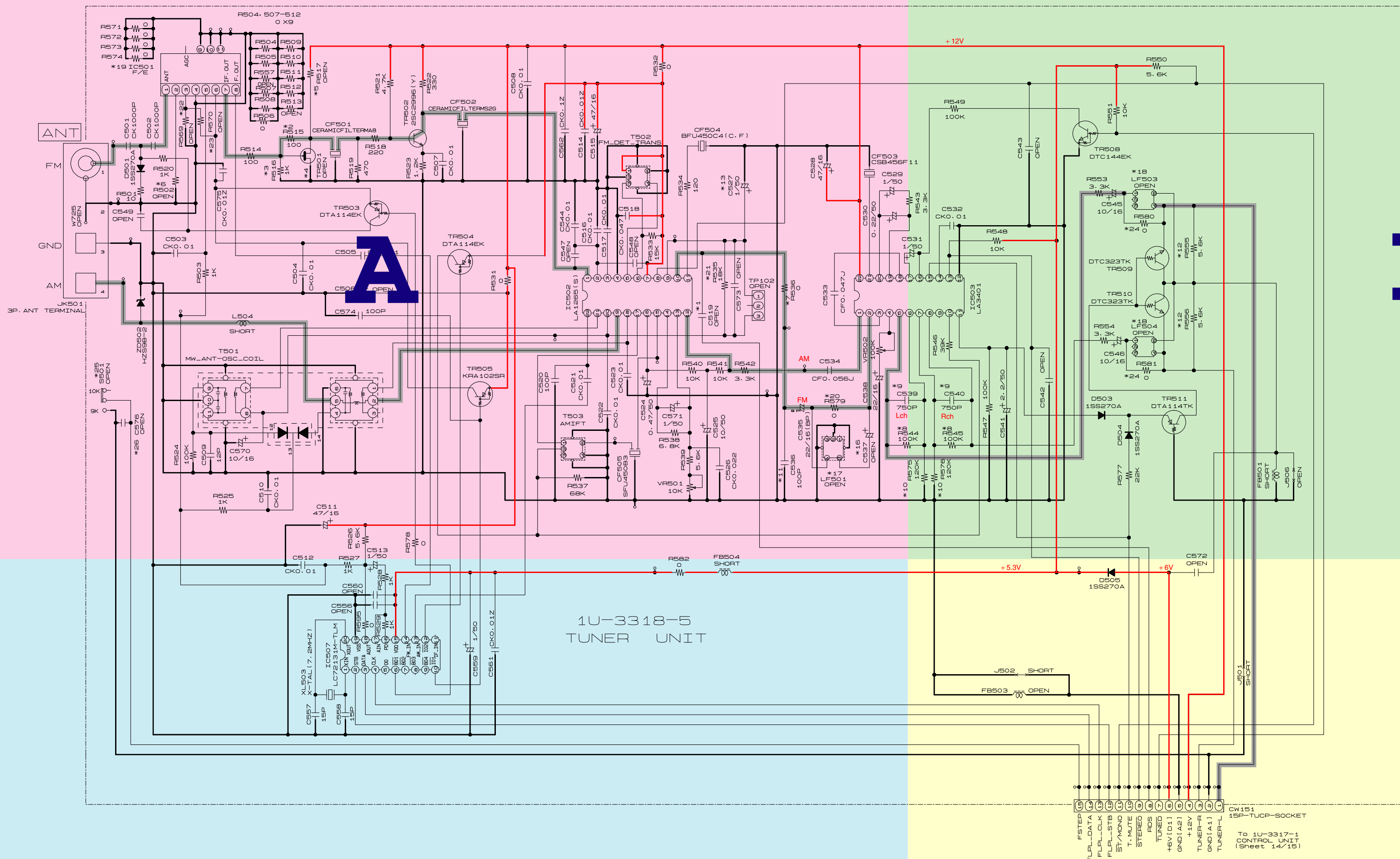
rn the unit to the customer until the problem is located and

- SCHEMATIC DIAGRAMS (10/15)**
 1U-3319-1 REGULATOR UNIT
 1U-3319-4,5 DIGITAL INPUT UNIT
 1U-3319-11/1U3319-12 VOLTAGE SELECT UNIT
 1U-3319-8 PT902 UNIT
 1U-3319-9 PT903 UNIT

SCHMATIC DIAGRAMS (11/15)

1 2 3 4 5 6 7 8 9 10 11

A
B
C
D
E
F
G
H

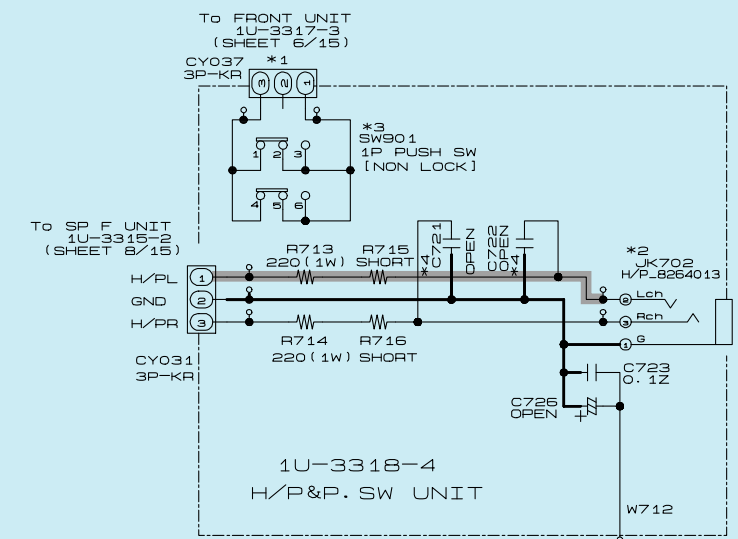


TUNER UNIT

* NO	* USA CANADA	ASIA HONG KONG	CHINA TAIWAN R. O. C	EUROPE
1	C519	---	---	CK100p
2	R515	100	---	---
3	R516	1K	---	330
4	TR501	---	---	2SK211 (GR)
5	R517	---	---	330
6	R502	---	---	0
7	R536	0	---	2.7K
8	R544, 545	100K	---	150K
9	C539, 540	750p	510p	330P
10	R575, 576	120K	---	200K
11	C536	100p	---	---
12	R555, 556	5.6K	---	3.3K
13	C527	1/50	0.33/50	0.33/50
14	CF502	SFE 10.7MS2G	---	FMCFSK107 M2-A
15	CF501	SFE 10.7MAB	---	FMCFSK107 M2-A
16	C537	---	---	22/16
17	LF501	---	---	ANTI-BLIP FILTER
18	LF503, 504	---	---	LFP 2320085004
19	IC501	F/E 215010200B	---	F/E 2159013004
20	R579	0	---	---
21	R535	18K	39K	39K
22	R569	---	---	5.6K
23	R570	---	---	10K
24	R580, 581	0	---	---
25	S501	---	SW	---
26	C576	---	CK1000P	---
27				
28				
29				
30				
31				
32				
33				
34				
35				

H/P & P. SW UNIT

* NO	* USA CANADA	ASIA HONG KONG	CHINA TAIWAN R. O. C	EUROPE
1	CY037	3P-KR	---	---
2	JK702	H/P JACK (NI)	---	H/P JACK (GOLD)
3	SW901	H/P PUSH SW	---	---
4	C721, 722	---	---	CG1000P
5				



C

D

+ B LINE
SIGNAL

WARNING:
Parts marked with this symbol Δ have critical characteristics. Use ONLY replacement parts recommended by the manufacture.

CAUTION:
Before returning the unit to the customer, make sure you make either (1) a leakage current check or (2) a line to chassis resistance check. If the leakage current exceeds 0.5 milliamps, or if the resistance from chassis to either side of the power card is less than 460 kohms, the unit is defective.

WARNING:
DO NOT return the unit to the customer until the problem is located and corrected.

NOTICE
ALL RESISTANCE VALUES IN OHM. k=1,000 OHM M=1,000,000 OHM
ALL CAPACITANCE VALUES IN MICRO FARAD. P=MICRO-MICRO FARAD
EACH VOLTAGE AND CURRENT ARE MEASURED AT NO SIGNAL INPUT CONDITION.
CIRCUIT AND PARTS ARE SUBJECT TO CHANGE WITHOUT PRIOR NOTICE.

SCHMATIC DIAGRAMS (11/15)
1U-3318-5 TUNER UNIT
1U-3318-4 H/P & P. SW UNIT

SCHEMATIC DIAGRAMS (11/15)

1

2

3

4

5

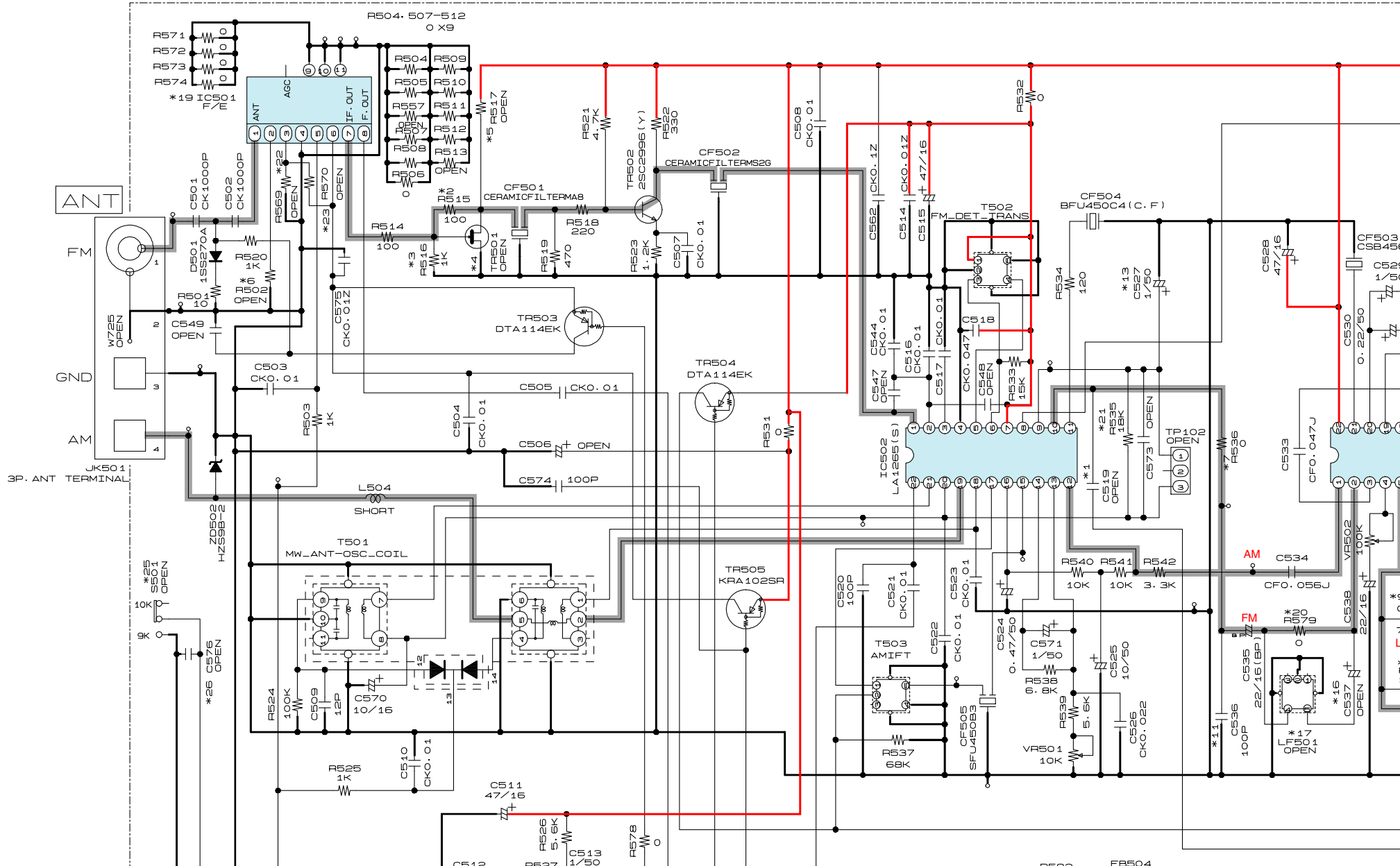
6

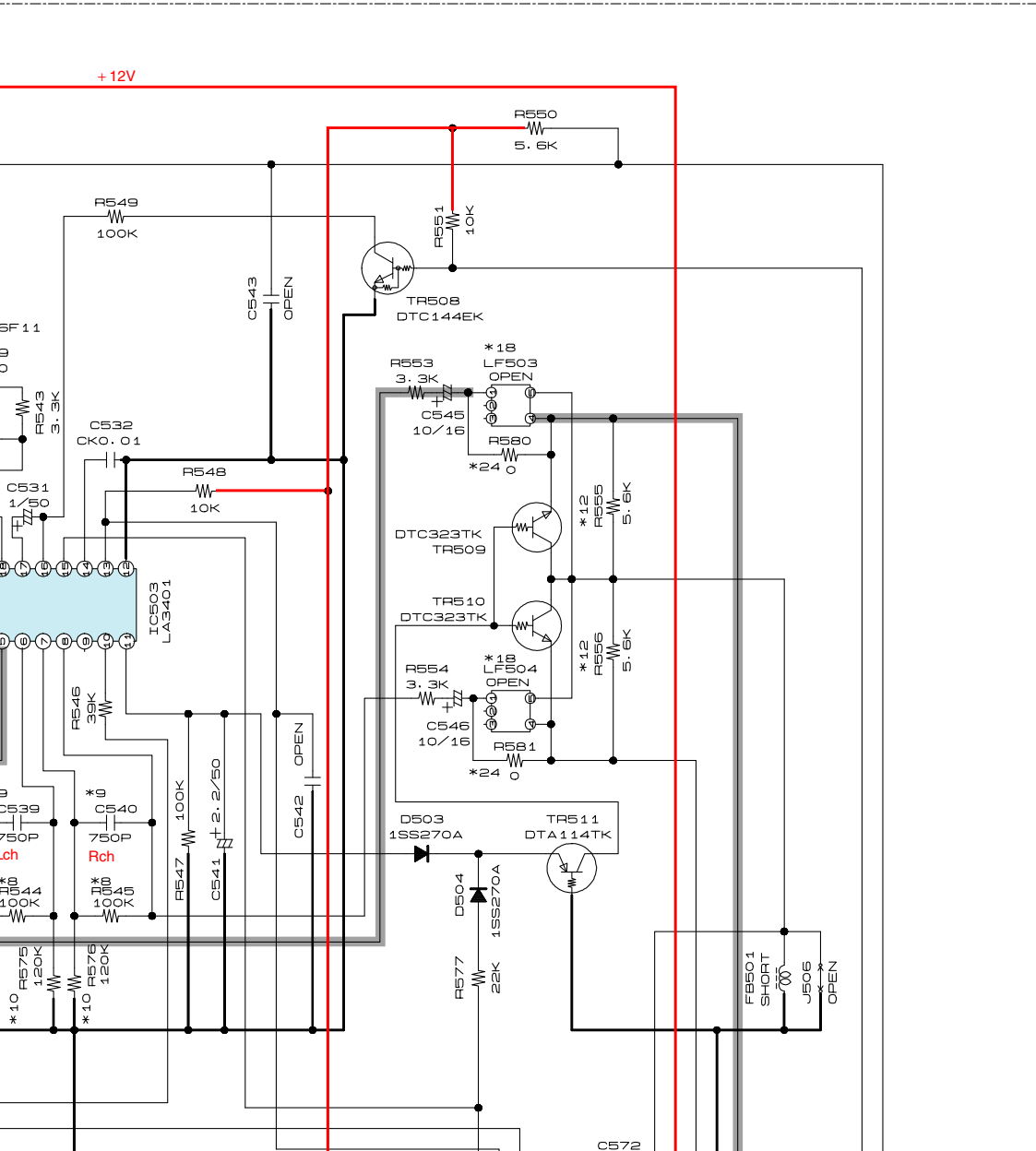
A

B

C

D





TUNER UNIT

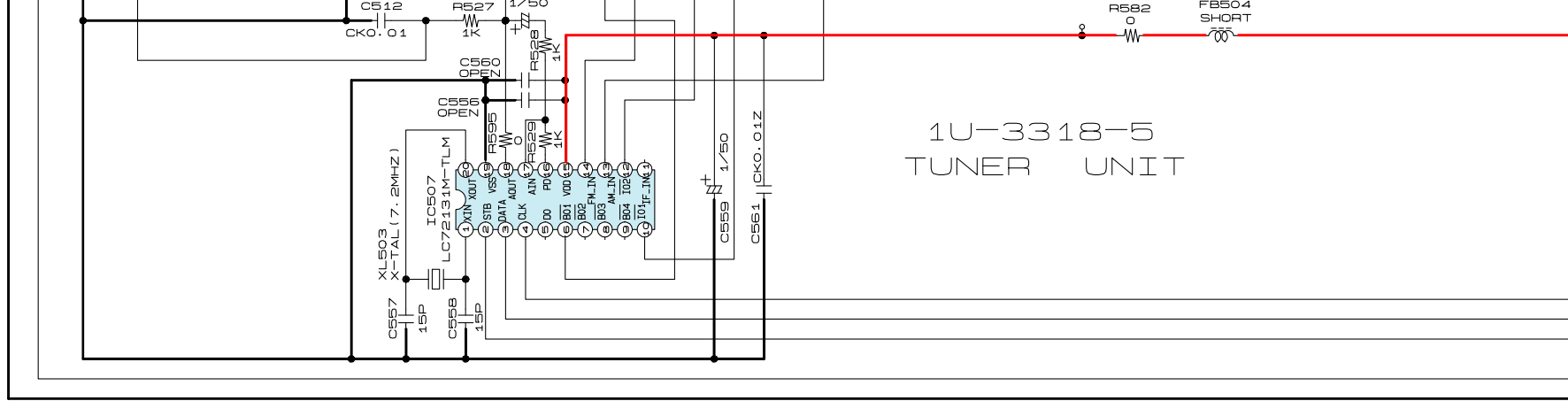
* NO	* USA CANADA	ASIA HONG KONG	CHINA TAIWAN R. O. C	EUROPE
1	C519	---	---	CK100p
2	R515	---	100	---
3	R516	---	1K	330
4	TR501	---	---	2SK211 (GR)
5	R517	---	---	330
6	R502	---	---	0
7	R536	---	0	2.7K
8	R544, 545	---	100K	150k
9	C539, 540	750p	510p	330P
10	R575, 576	---	120K	200k
11	C536	---	100p	---
12	R555, 556	---	5.6k	3.3K
13	C527	1/50	0.33/50	0.33/50
14	CF502	SFE 10.7MS2G	---	FMCFSK107 M2-A
15	CF501	SFE 10.7MA8	---	FMCFSK107 M2-A
16	C537	---	---	22/16
17	LF501	---	---	ANTI BIRDIE FILTER
18	LF503, 504	---	---	LPF 2320085004
19	IC501	F/E 2160102008	---	F/E 2169013004
20	R579	---	0	---
21	R535	18K	39K	39K
22	R569	---	---	5.6K
23	R570	---	---	10K
24	R580, 581	---	0	---
25	S501	---	SW	---
26	C576	---	CK1000P	---
27				

E

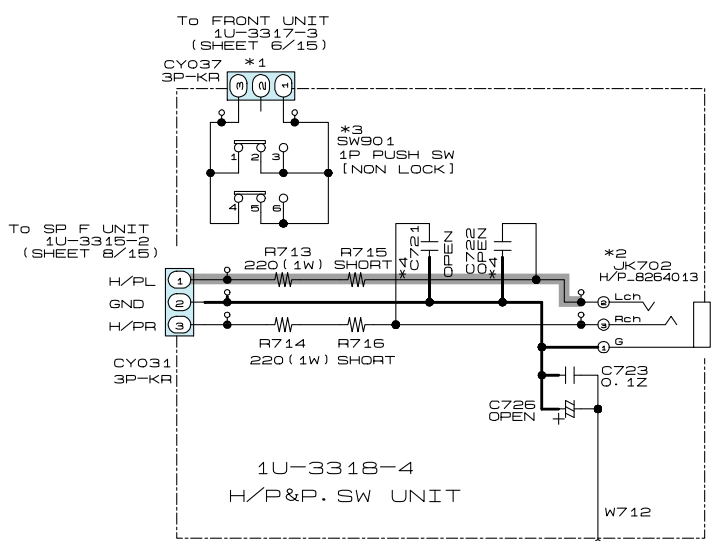
F

G

H



1U-3318-5
TUNER UNIT



1U-3318-4
H/P&P. SW UNIT

NOTICE

ALL RESISTANCE VALUES IN OHM. k=1,000 OHM M=1,000,000 OHM
 ALL CAPACITANCE VALUES IN MICRO FARAD. P=MICRO-MICRO FARAD
 EACH VOLTAGE AND CURRENT ARE MEASURED AT NO SIGNAL INPUT
 CONDITION.
 CIRCUIT AND PARTS ARE SUBJECT TO CHANGE WITHOUT PRIOR
 NOTICE.

WARNING:

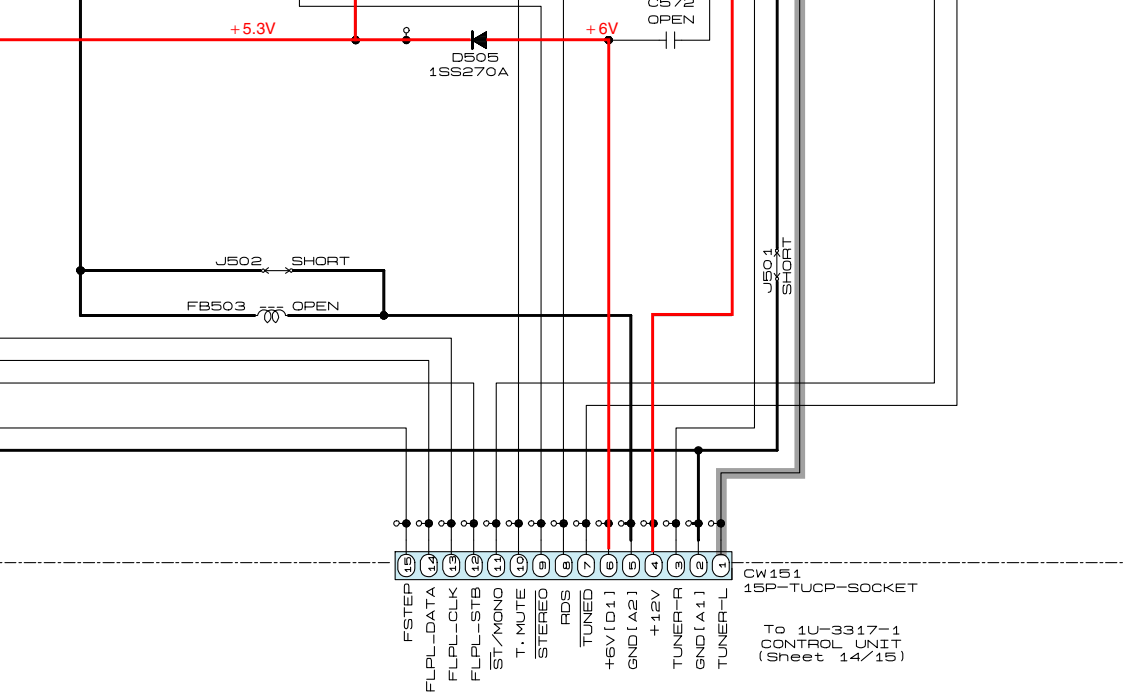
Parts marked with this symbol
 Use ONLY replacement parts

CAUTION:

Before returning the unit to service
 leakage current check of the power card is less than 0.5 milliamperes

WARNING:

DO NOT return the unit to service until corrected.



— + B LINE
 — SIGNAL

27			
28			
29			
30			
31			
32			
33			
34			
35			

H/P&P. SW UNIT

*	NO	* USA CANADA	ASIA HONG KONG	CHINA TAIWAN R. O. C	EUROPE
1	CY037	3P-KR		---	
2	JK702	H/P JACK (NI)		H/P JACK (GOLD)	
3	SW901	1P PUSH SW		---	
4	C721.722		---		CQ1000P
5					

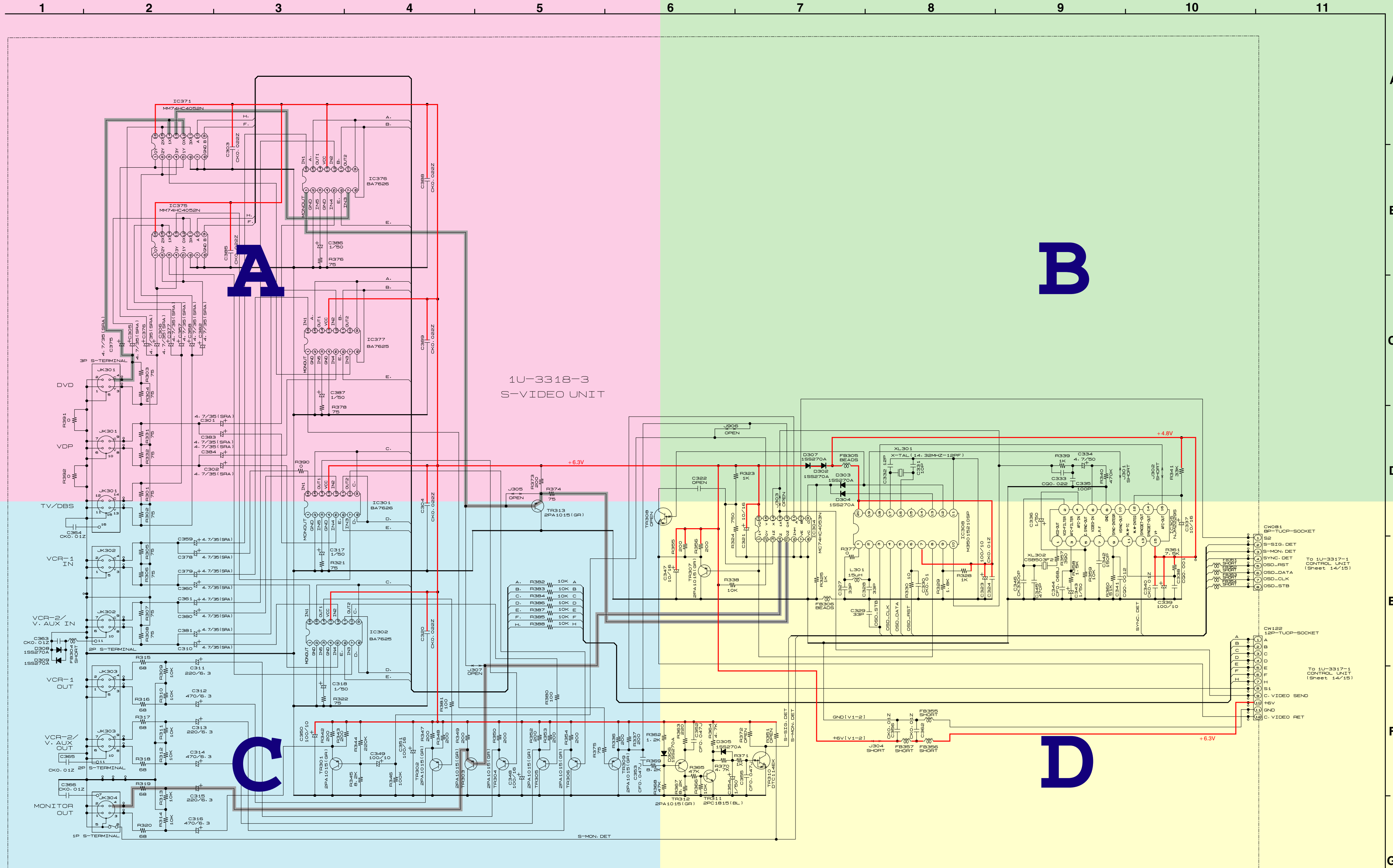
⚠ symbol have critical characteristics.
 parts recommended by the manufacture.

to the customer, make sure you make either (1) a
 or (2) a line to chassis resistance check. If the leakage
 amps, or if the resistance from chassis to either side
 s than 460 kohms, the unit is defective.

to the customer until the problem is located and

SCHEMATIC DIAGRAMS (11/15)
 1U-3318-5 TUNER UNIT
 1U-3318-4 H/P & P. SW UNIT

SCHEMATIC DIAGRAMS (12/15)



A

B

C

D

1U-3318-3
S-VIDEO UNIT

- A. R382 10K A
- B. R383 10K B
- C. R384 10K C
- D. R386 10K D
- E. R387 10K E
- F. R385 10K F
- H. R388 10K H

WARNING:
Parts marked with this symbol have critical characteristics. Use ONLY replacement parts recommended by the manufacturer.

CAUTION:
Before returning the unit to the customer, make sure you make either (1) a leakage current check or (2) a line to chassis resistance check. If the leakage current exceeds 0.5 milliamps, or if the resistance from chassis to either side of the power card is less than 460 kohms, the unit is defective.

WARNING:
DO NOT return the unit to the customer until the problem is located and corrected.

NOTICE
ALL RESISTANCE VALUES IN OHM. k=1,000 OHM M=1,000,000 OHM
ALL CAPACITANCE VALUES IN MICRO FARAD. P=MICRO-MICRO FARAD
EACH VOLTAGE AND CURRENT ARE MEASURED AT NO SIGNAL INPUT CONDITION.
CIRCUIT AND PARTS ARE SUBJECT TO CHANGE WITHOUT PRIOR NOTICE.

— + B LINE
— SIGNAL

SCHEMATIC DIAGRAMS (12/15)

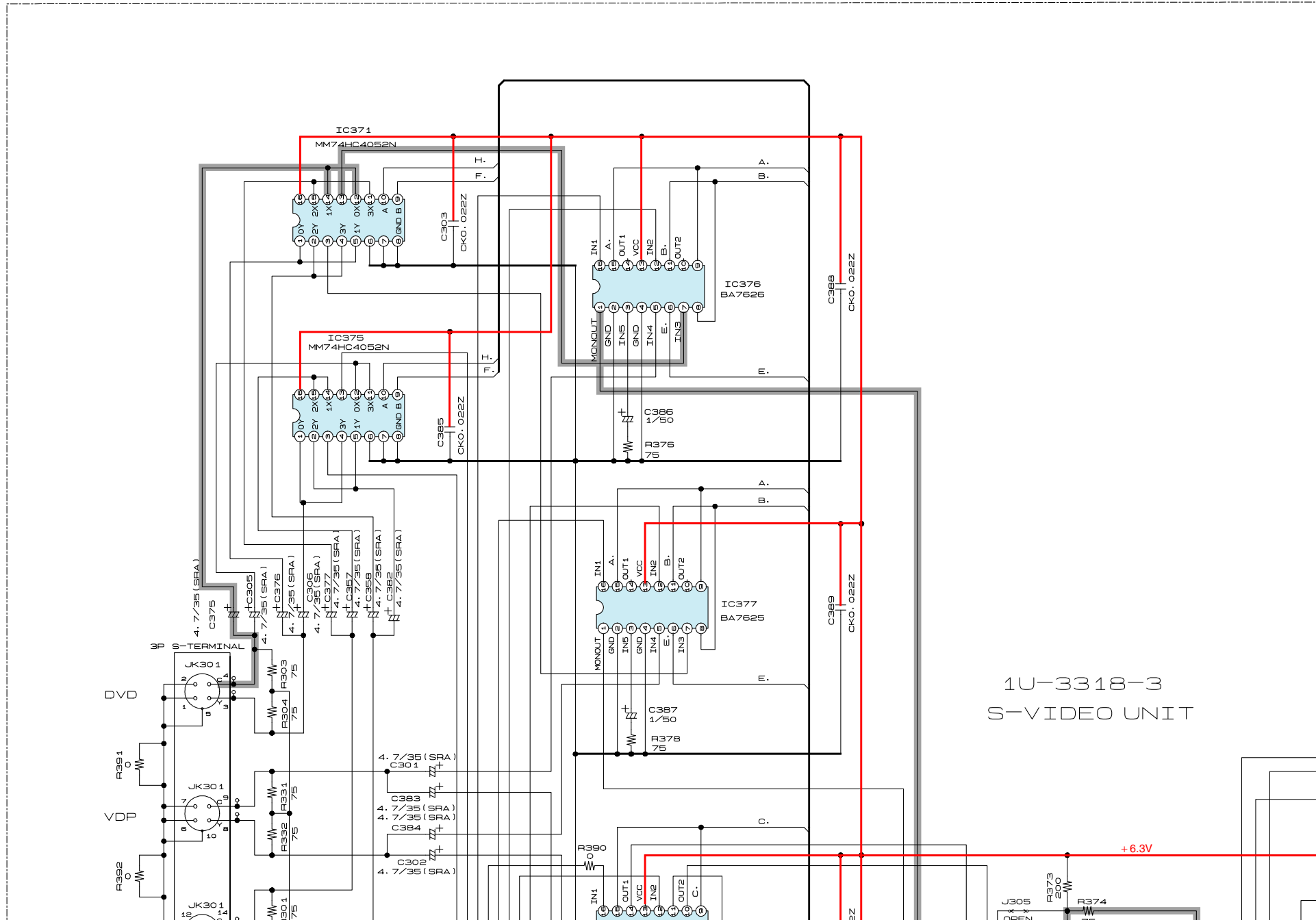
1

2

3

4

5



6

7

8

9

10

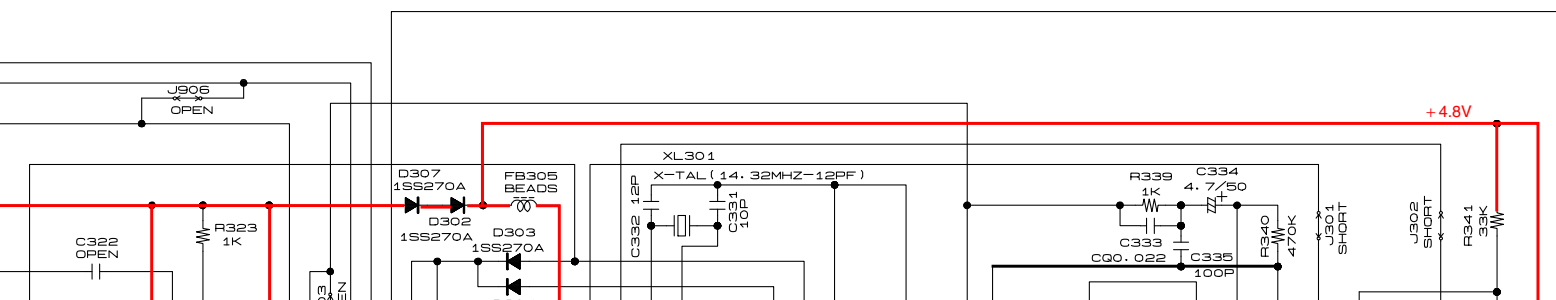
11

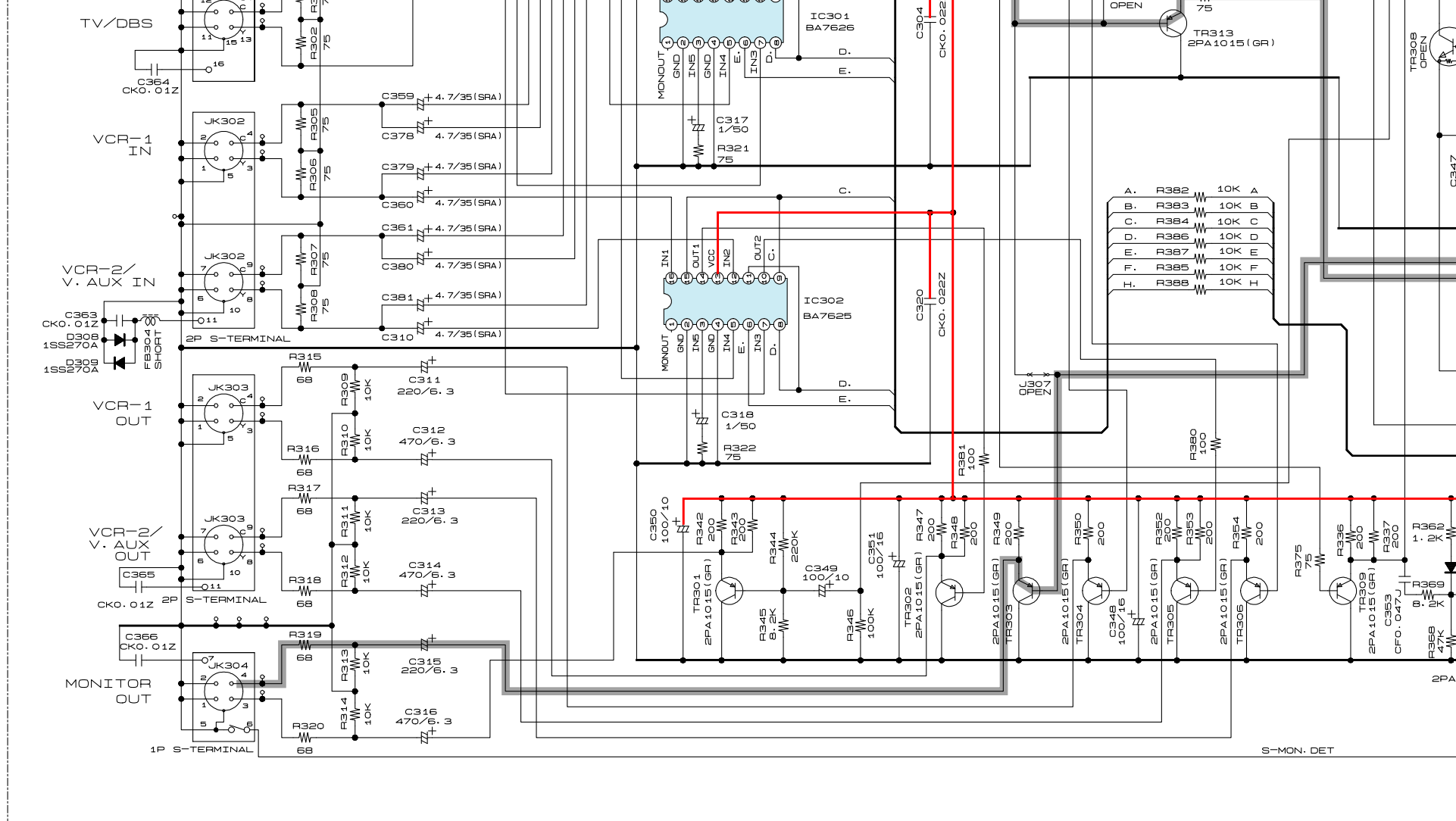
A

B

C

D






NOTICE

ALL RESISTANCE VALUES IN OHM. k=1,000 OHM M=1,000,000 OHM
 ALL CAPACITANCE VALUES IN MICRO FARAD. P=MICRO-MICRO FARAD
 EACH VOLTAGE AND CURRENT ARE MEASURED AT NO SIGNAL INPUT
 CONDITION.
 CIRCUIT AND PARTS ARE SUBJECT TO CHANGE WITHOUT PRIOR
 NOTICE.

WARNING:

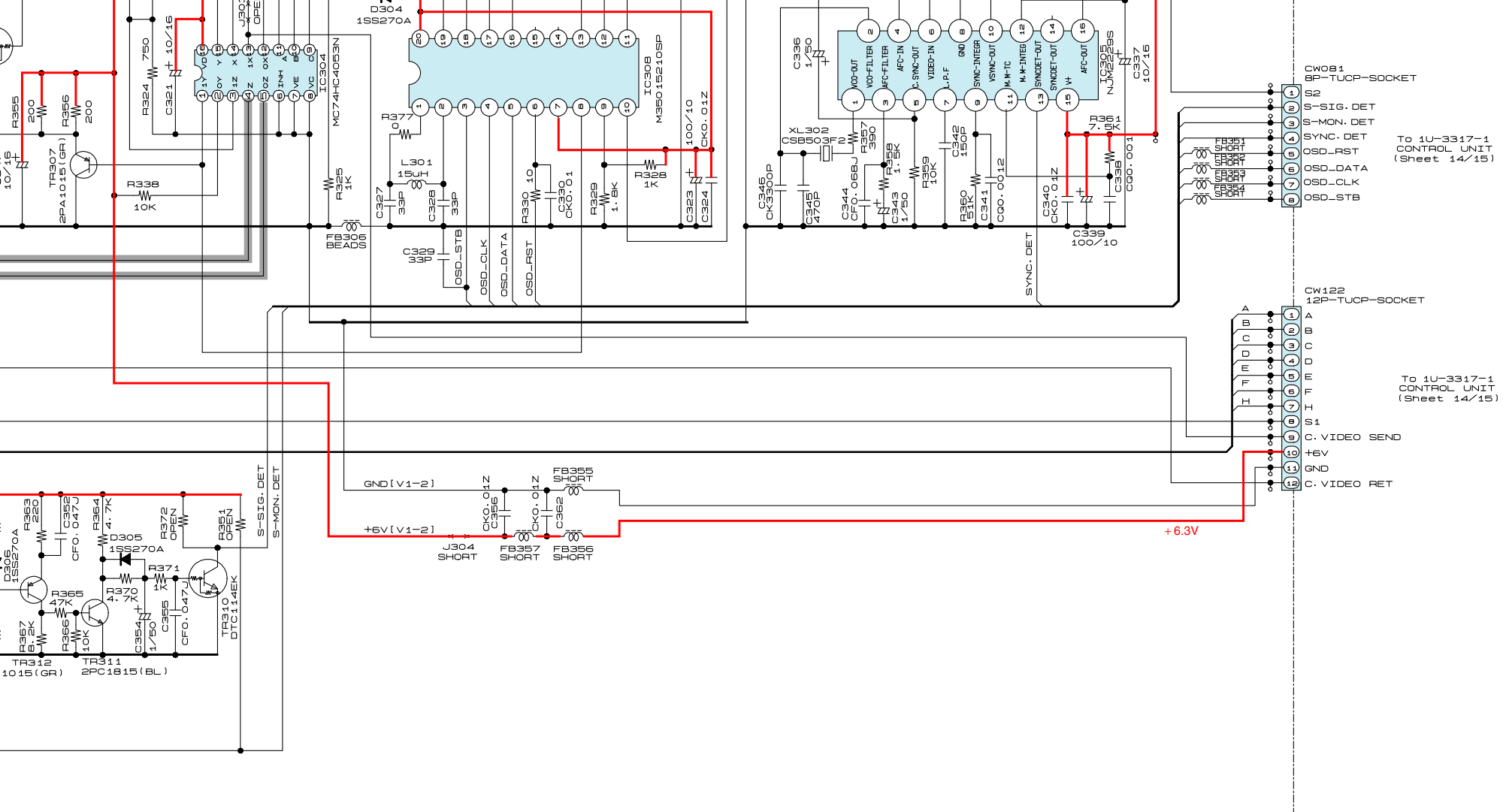
Parts marked with this symbol  have critical characteristics.
 Use ONLY replacement parts recommended by the manufacture.

CAUTION:

Before returning the unit to the customer, make sure you make either (1) a leakage current check or (2) a line to chassis resistance check. If the leakage current exceeds 0.5 milliamps, or if the resistance from chassis to either side of the power card is less than 460 kohms, the unit is defective.

WARNING:

DO NOT return the unit to the customer until the problem is located and corrected.



E
F
G
H

SCHEMATIC DIAGRAMS (12/15)
1U-3318-3 S-VIDEO UNIT

— + B LINE
— SIGNAL

SCHEMATIC DIAGRAMS (13/15)

1 2 3 4 5 6 7 8 9 10 11

A

B

C

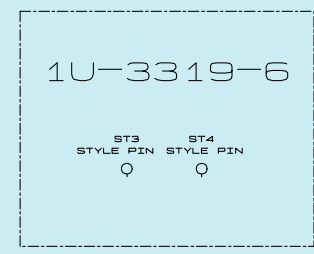
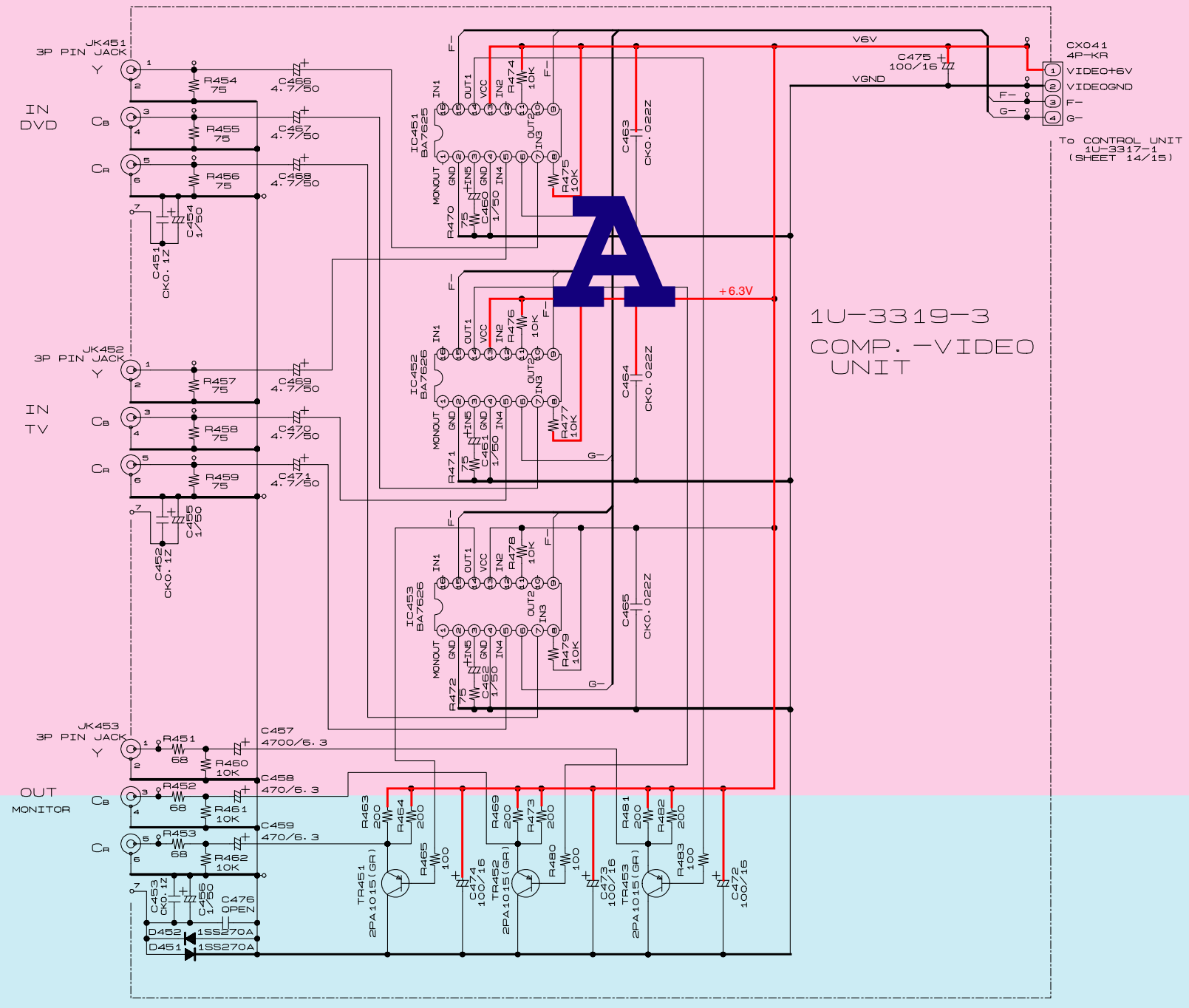
D

E

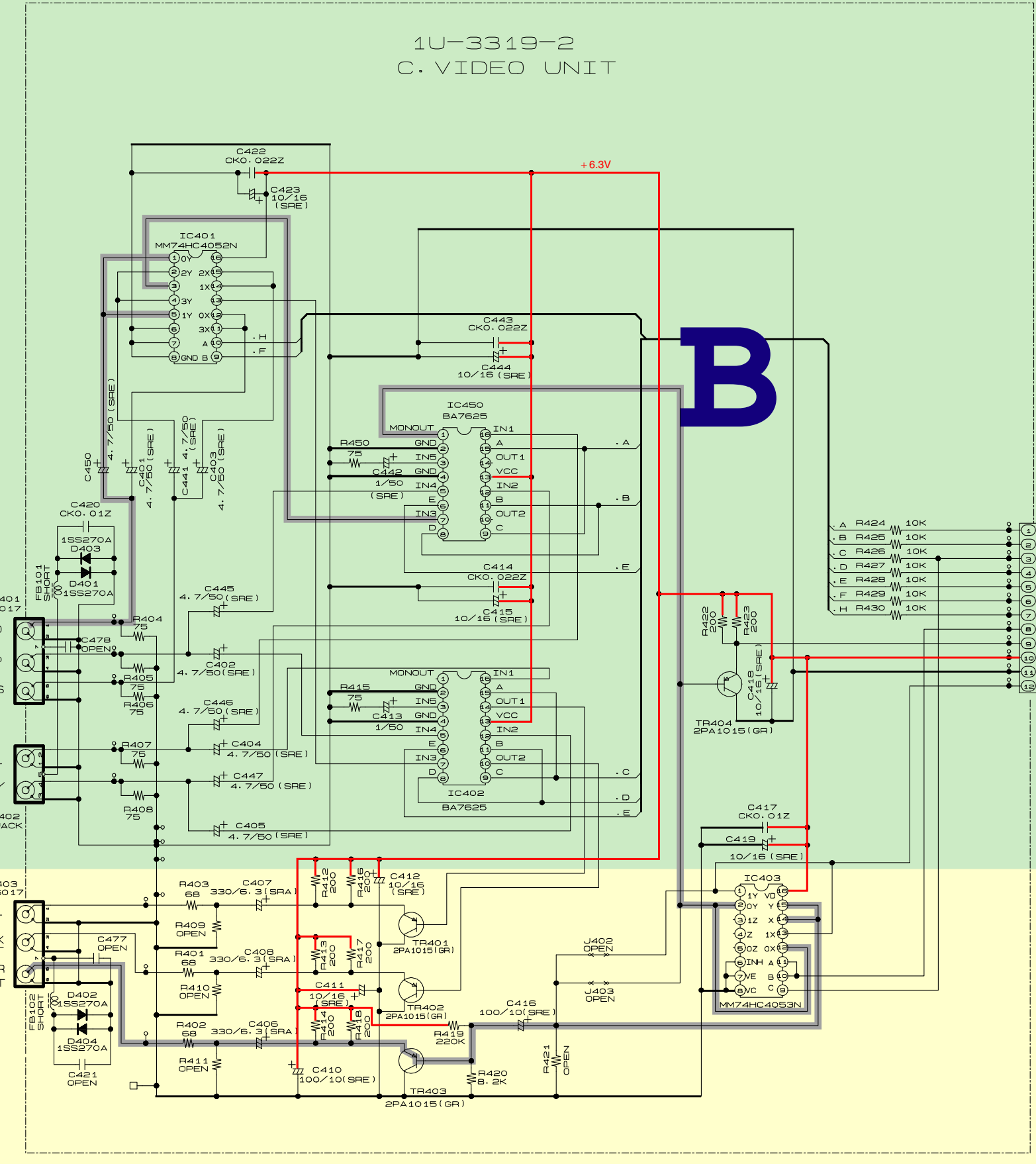
F

G

H



C



D

— + B LINE
— SIGNAL

WARNING:
Parts marked with this symbol have critical characteristics. Use ONLY replacement parts recommended by the manufacture.

CAUTION:
Before returning the unit to the customer, make sure you make either (1) a leakage current check or (2) a line to chassis resistance check. If the leakage current exceeds 0.5 milliamps, or if the resistance from chassis to either side of the power card is less than 460 kohms, the unit is defective.

WARNING:
DO NOT return the unit to the customer until the problem is located and corrected.

SCHEMATIC DIAGRAMS (13/15)
1U-3319-2 C. VIDEO UNIT
1U-3319-3 COMP. -VIDEO UNIT

SCHEMATIC DIAGRAMS (13/15)

1

2

3

4

5

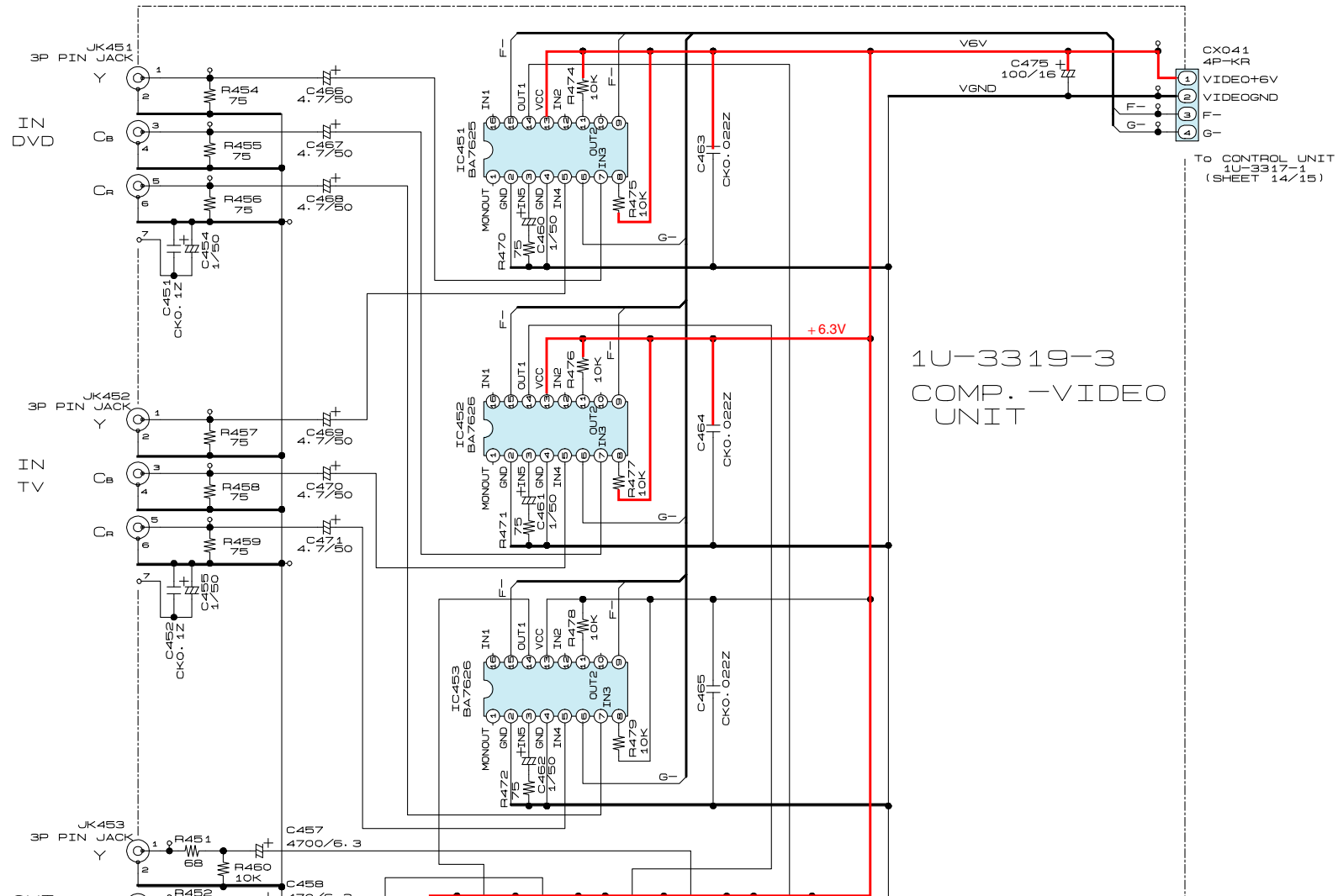
6

A

B

C

D



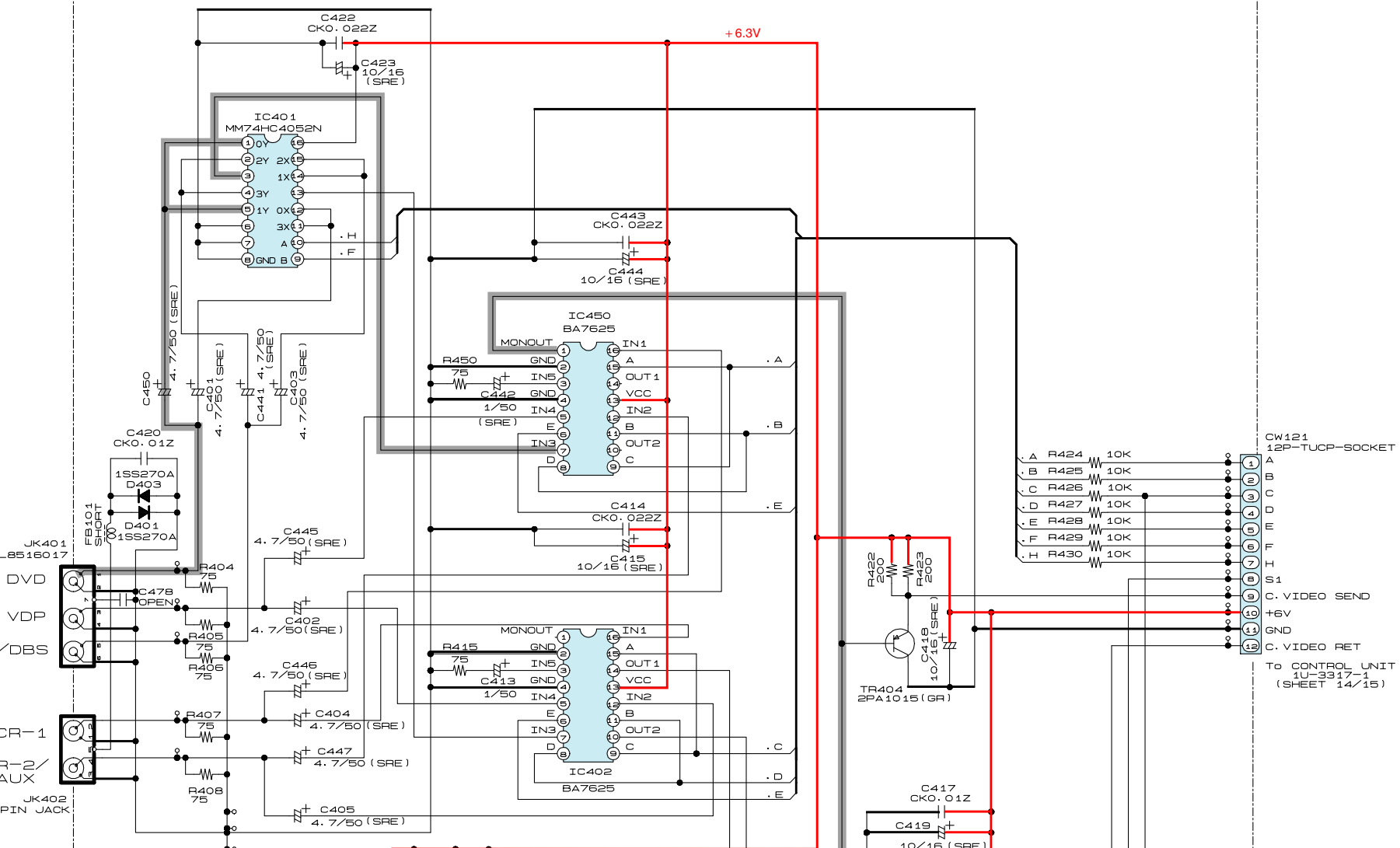
3P-JACK

T

V

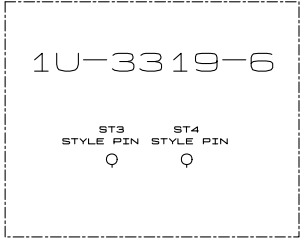
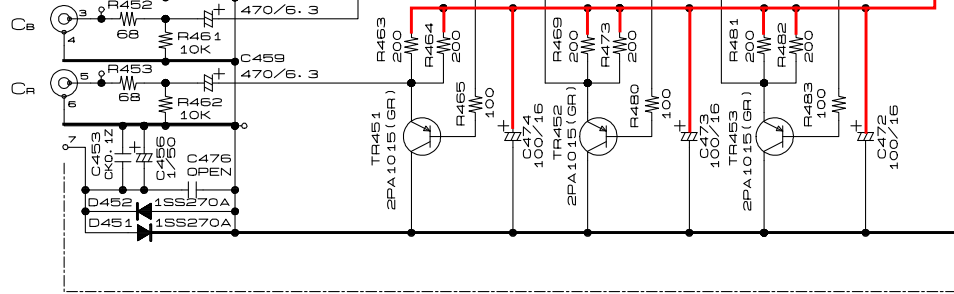
2

1U-3319-2 C. VIDEO UNIT



- CW121
12P-TUCP-SOCKET
- A R424 10K
 - B R425 10K
 - C R426 10K
 - D R427 10K
 - E R428 10K
 - F R429 10K
 - H R430 10K
- S1
C. VIDEO SEND
+6V
GND
C. VIDEO RET
- TO CONTROL UNIT
1U-3317-1
(SHEET 14/15)

OUT
MONITOR



E

F

G

H

NOTICE

ALL RESISTANCE VALUES IN OHM. k=1,000 OHM M=1,000,000 OHM
 ALL CAPACITANCE VALUES IN MICRO FARAD. P=MICRO-MICRO FARAD
 EACH VOLTAGE AND CURRENT ARE MEASURED AT NO SIGNAL INPUT
 CONDITION.
 CIRCUIT AND PARTS ARE SUBJECT TO CHANGE WITHOUT PRIOR
 NOTICE.

WARNING:

Parts marked with
 Use ONLY replace

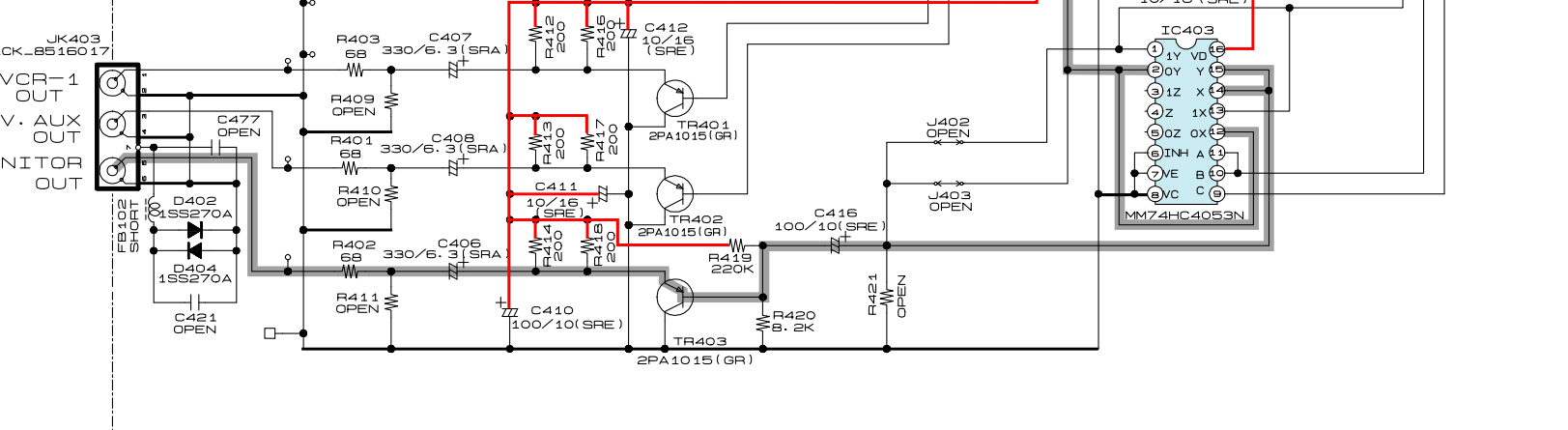
CAUTION:

Before returning the
 leakage current check
 current exceeds 0.
 of the power card is



WARNING:

DO NOT return the
 corrected.

3P-JA
 VCR-2/
 MO



— + B LINE
— SIGNAL

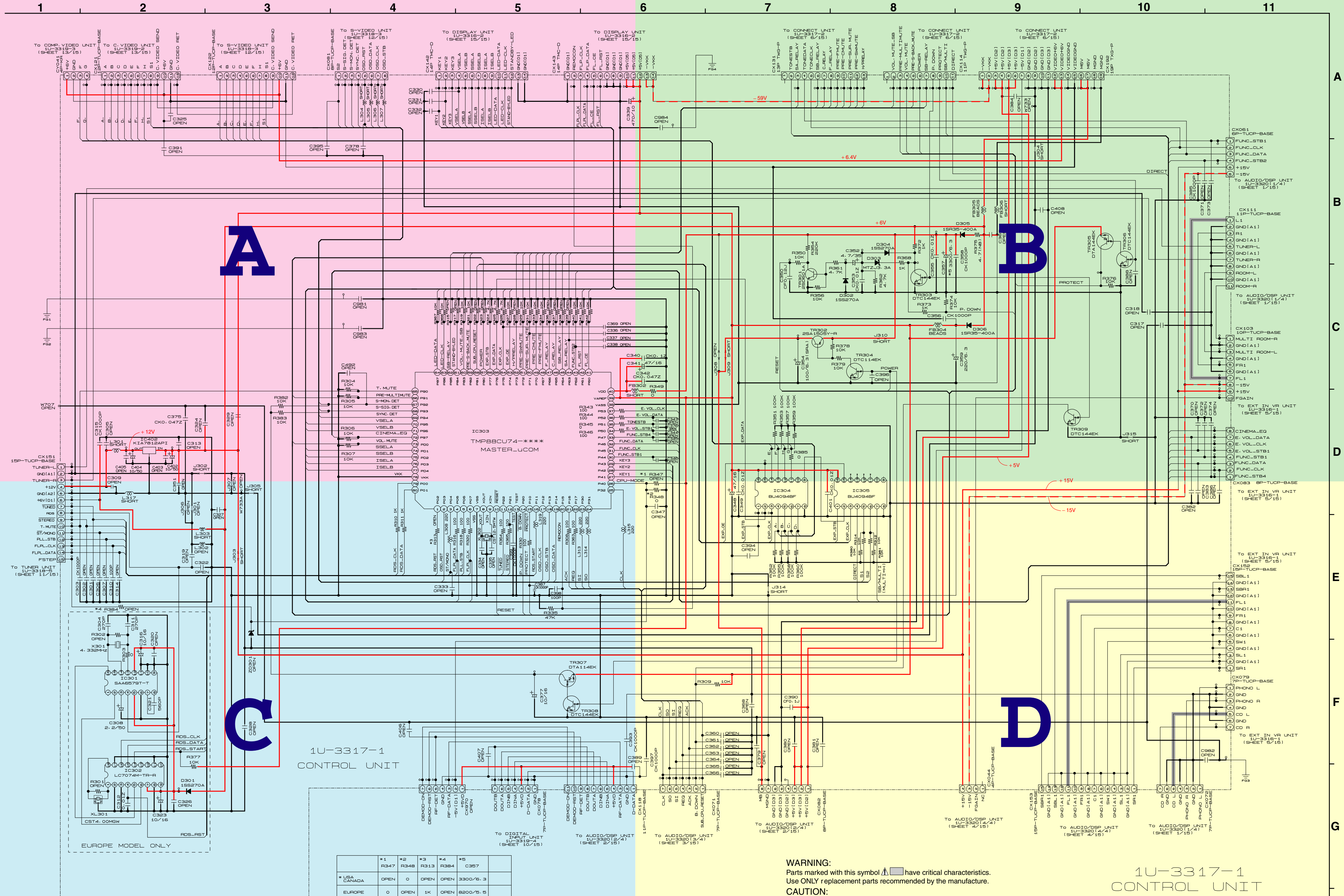
this symbol   have critical characteristics.
 ment parts recommended by the manufacture.

e unit to the customer, make sure you make either (1) a
 eck or (2) a line to chassis resistance check. If the leakage
 5 milliamps, or if the resistance from chassis to either side
 s less than 460 kohms, the unit is defective.

e unit to the customer until the problem is located and

SCHEMATIC DIAGRAMS (13/15)
 1U-3319-2 C.VIDEO UNIT
 1U-3319-3 COMP. -VIDEO UNIT

SCHEMATIC DIAGRAMS (14/15)



A

B

C

D

1U-3317-1 CONTROL UNIT

	*1	*2	*3	*4	*5
* USA CANADA	OPEN	0	OPEN	OPEN	3300/5.3
EUROPE	0	OPEN	1K	OPEN	8200/5.5
ASIA HONG KONG	1K	5.1K	OPEN	1.3K	8200/5.5
CHINA TAIWAN P.O.C.	4.7K	4.7K	OPEN	OPEN	8200/5.5

— + B LINE
 - - - - - -B LINE
 ——— SIGNAL

NOTICE
 ALL RESISTANCE VALUES IN OHM. k=1,000 OHM M=1,000,000 OHM
 ALL CAPACITANCE VALUES IN MICRO FARAD. P=MICRO-MICRO FARAD
 EACH VOLTAGE AND CURRENT ARE MEASURED AT NO SIGNAL INPUT CONDITION.
 CIRCUIT AND PARTS ARE SUBJECT TO CHANGE WITHOUT PRIOR NOTICE.

WARNING:
 Parts marked with this symbol have critical characteristics. Use ONLY replacement parts recommended by the manufacturer.

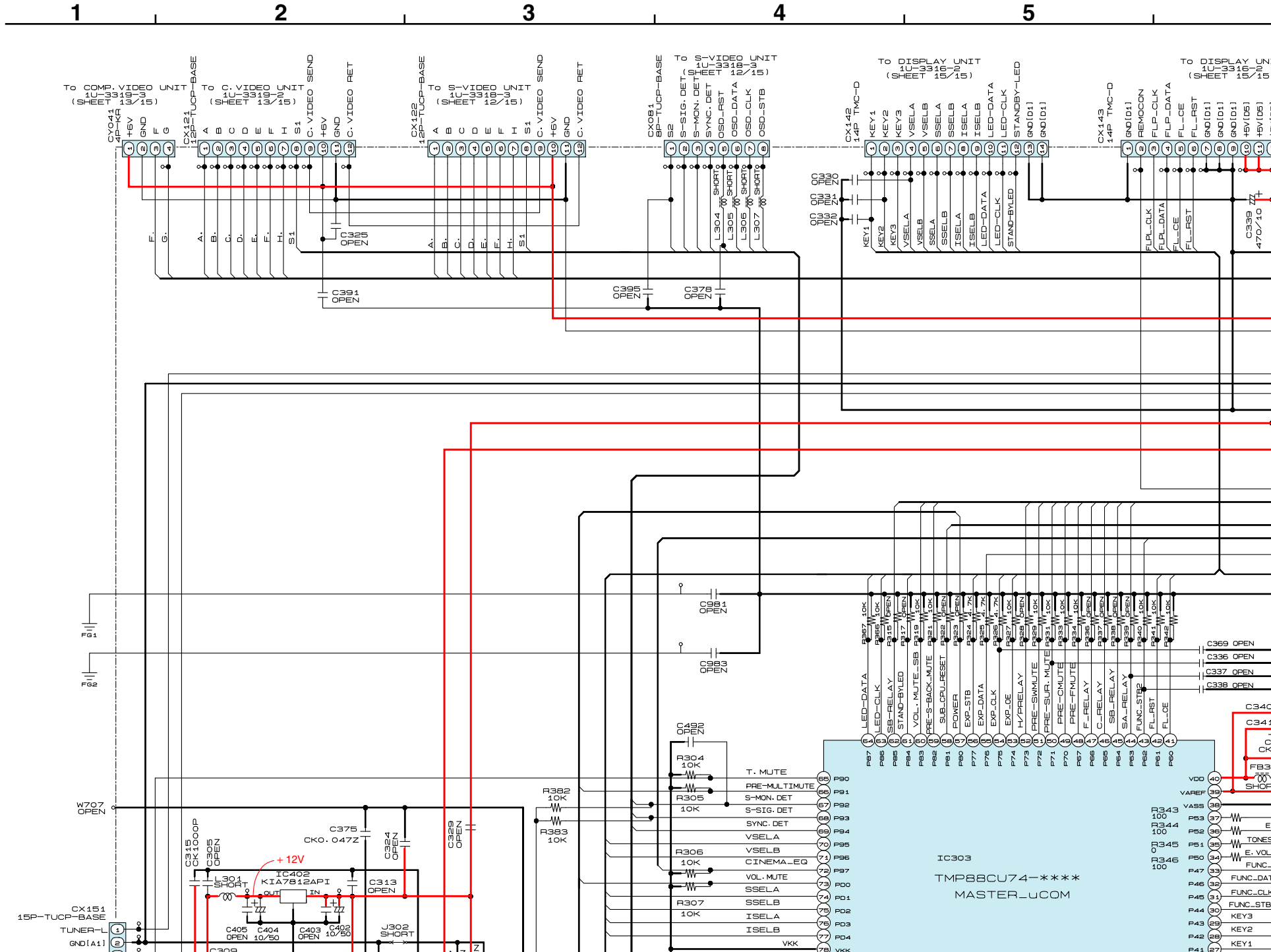
CAUTION:
 Before returning the unit to the customer, make sure you make either (1) a leakage current check or (2) a line to chassis resistance check. If the leakage current exceeds 0.5 milliamperes, or if the resistance from chassis to either side of the power card is less than 460 kohms, the unit is defective.

WARNING:
 DO NOT return the unit to the customer until the problem is located and corrected.

1U-3317-1 CONTROL UNIT

SCHEMATIC DIAGRAMS (14/15) 1U-3317-1 CONTROL UNIT

SCHEMATIC DIAGRAMS (14/15)



6

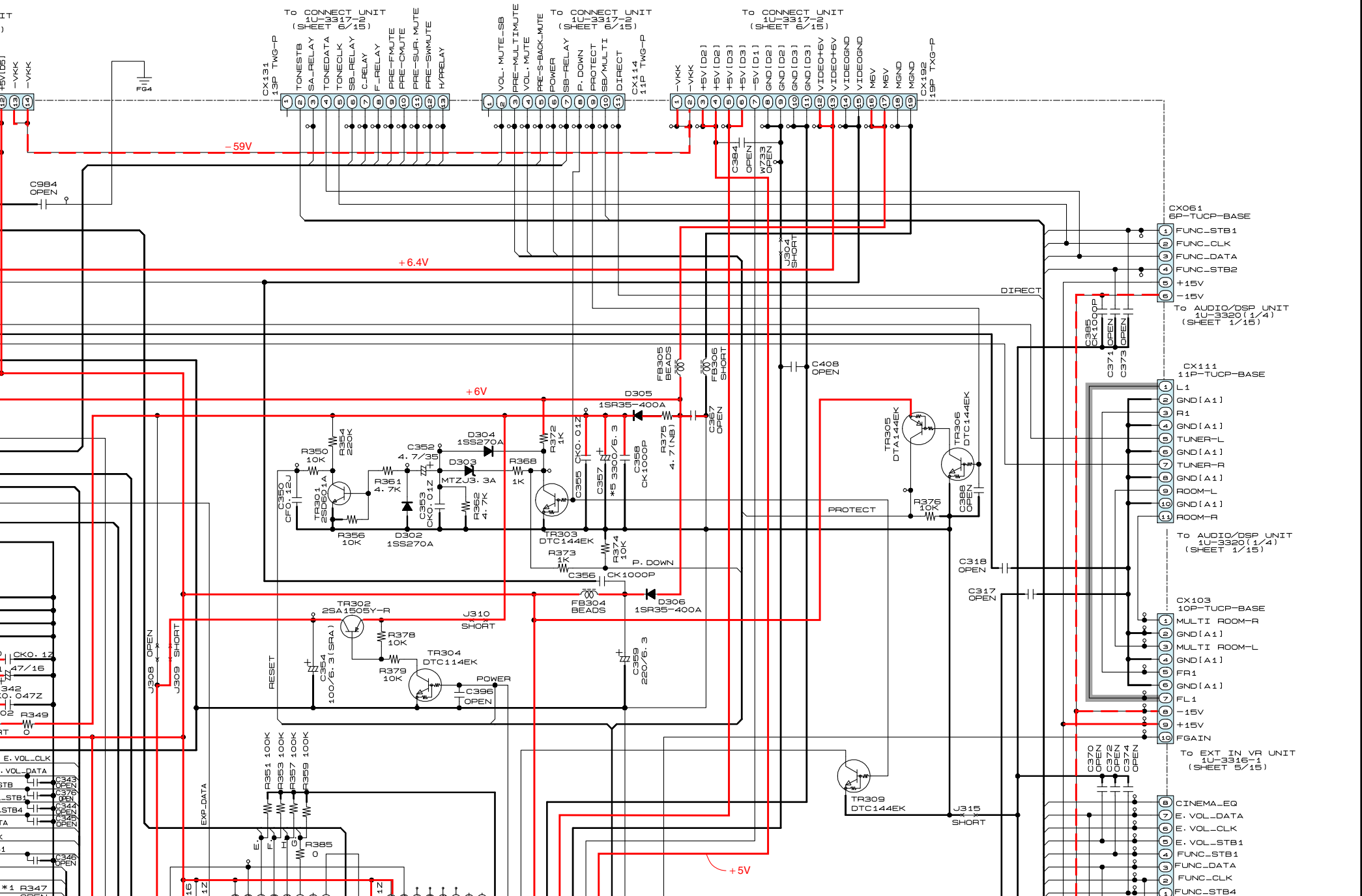
7

8

9

10

11

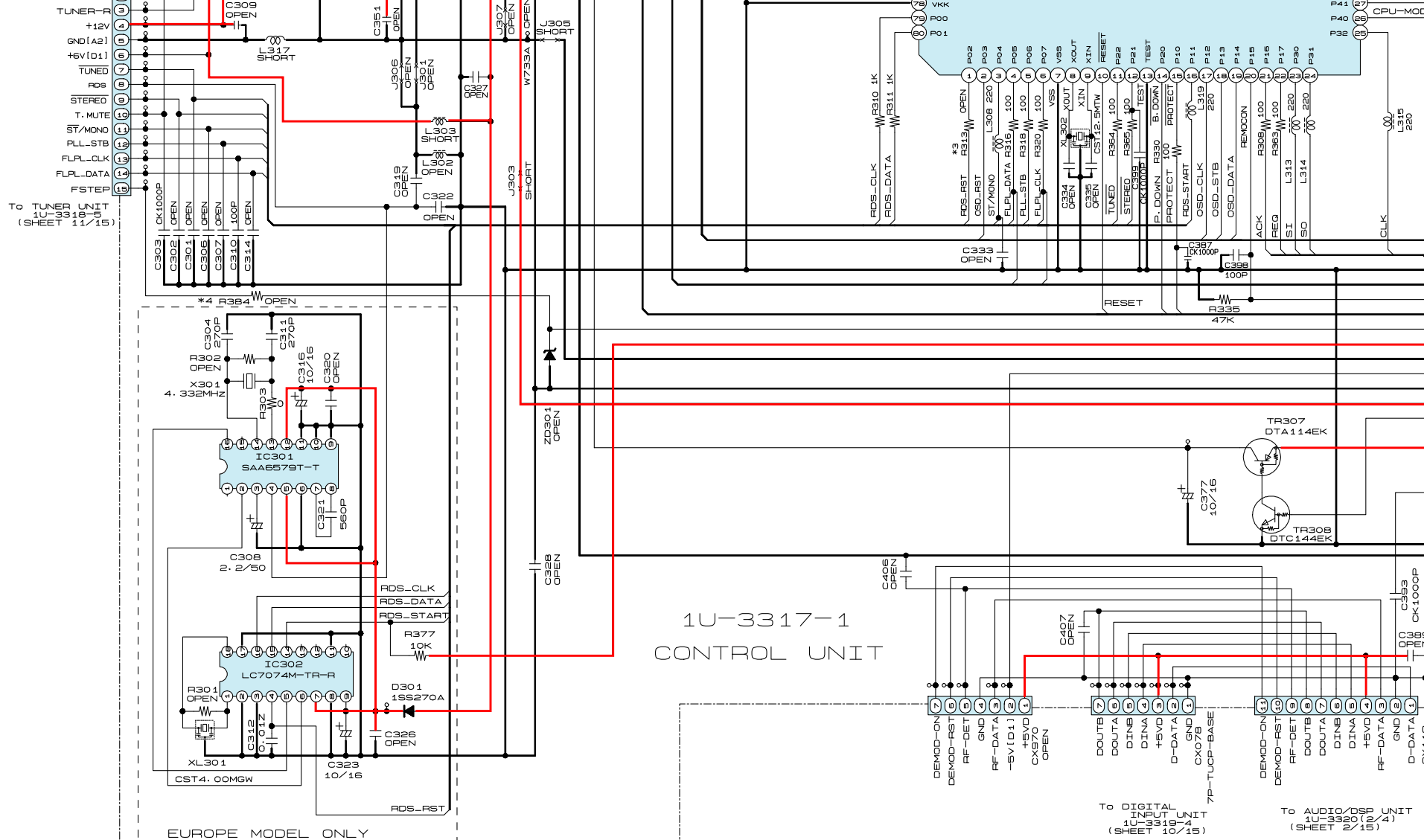


A

B

C

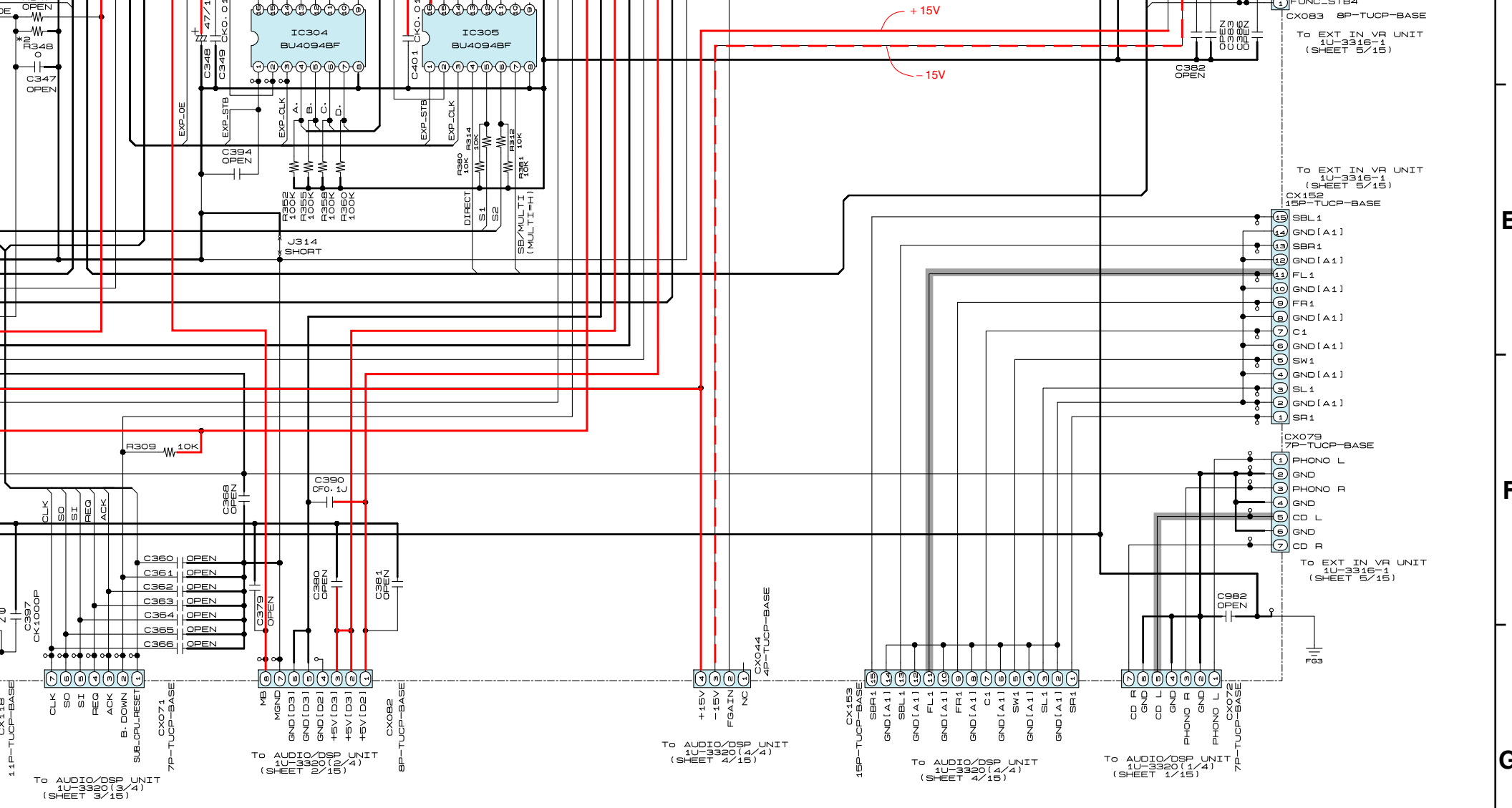
D



— + B LINE
- - - - B LINE
— SIGNAL

	*1	*2	*3	*4	*5
	R347	R348	R313	R384	C357
* USA CANADA	OPEN	0	OPEN	OPEN	3300/6.3
EUROPE	0	OPEN	1K	OPEN	8200/5.5
ASIA HONG KONG	1K	5. 1K	OPEN	1. 3K	8200/5.5
CHINA TAIWAN R.O.C	4. 7K	4. 7K	OPEN	OPEN	8200/5.5

NOTICE
 ALL RESISTANCE VALUES IN OHMS UNLESS OTHERWISE SPECIFIED.
 ALL CAPACITANCE VALUES IN MICROFARADS UNLESS OTHERWISE SPECIFIED.
 EACH VOLTAGE AND CURRENT VALUE IS A NOMINAL VALUE UNDER NORMAL OPERATING CONDITIONS.
 CIRCUIT AND PARTS ARE SUBJECT TO CHANGE WITHOUT NOTICE.



WARNING:

Parts marked with this symbol have critical characteristics. Use ONLY replacement parts recommended by the manufacture.

CAUTION:

Before returning the unit to the customer, make sure you make either (1) a leakage current check or (2) a line to chassis resistance check. If the leakage current exceeds 0.5 milliamps, or if the resistance from chassis to either side of the power card is less than 460 kohms, the unit is defective.

WARNING:

DO NOT return the unit to the customer until the problem is located and corrected.

1U-3317-1
CONTROL UNIT

SCHEMATIC DIAGRAMS (14/15)
1U-3317-1 CONTROL UNIT

M. k=1,000 OHM M=1,000,000 OHM
ICRO FARAD. P=MICRO-MICRO FARAD
ARE MEASUERD AT NO SIGNAL INPUT

ECT TO CHANGE WITHOUT PRIOR

E

F

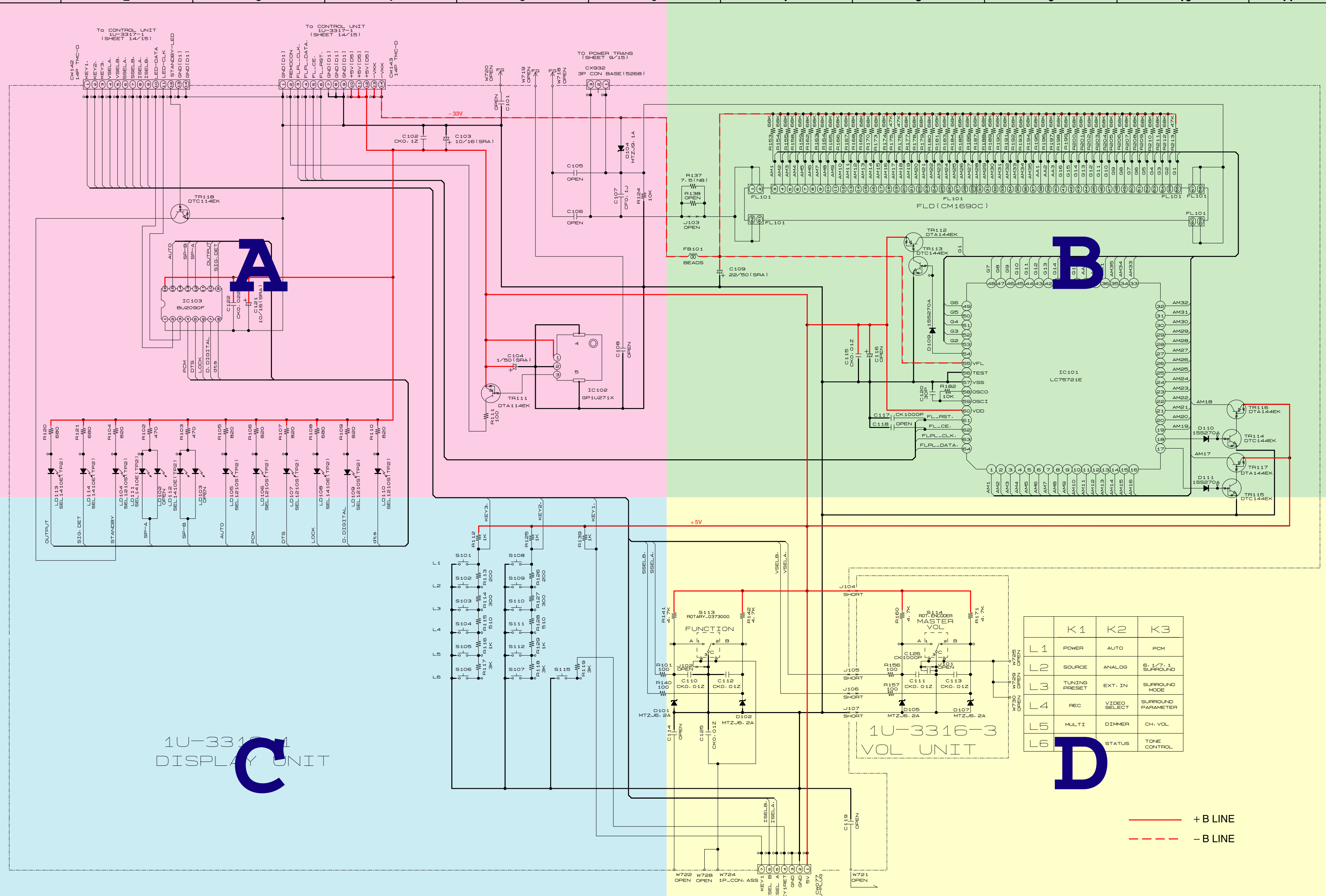
G

H

SCHEMATIC DIAGRAMS (15/15)

1 2 3 4 5 6 7 8 9 10 11

A B C D E F G H



WARNING:
Parts marked with this symbol  have critical characteristics. Use ONLY replacement parts recommended by the manufacturer.

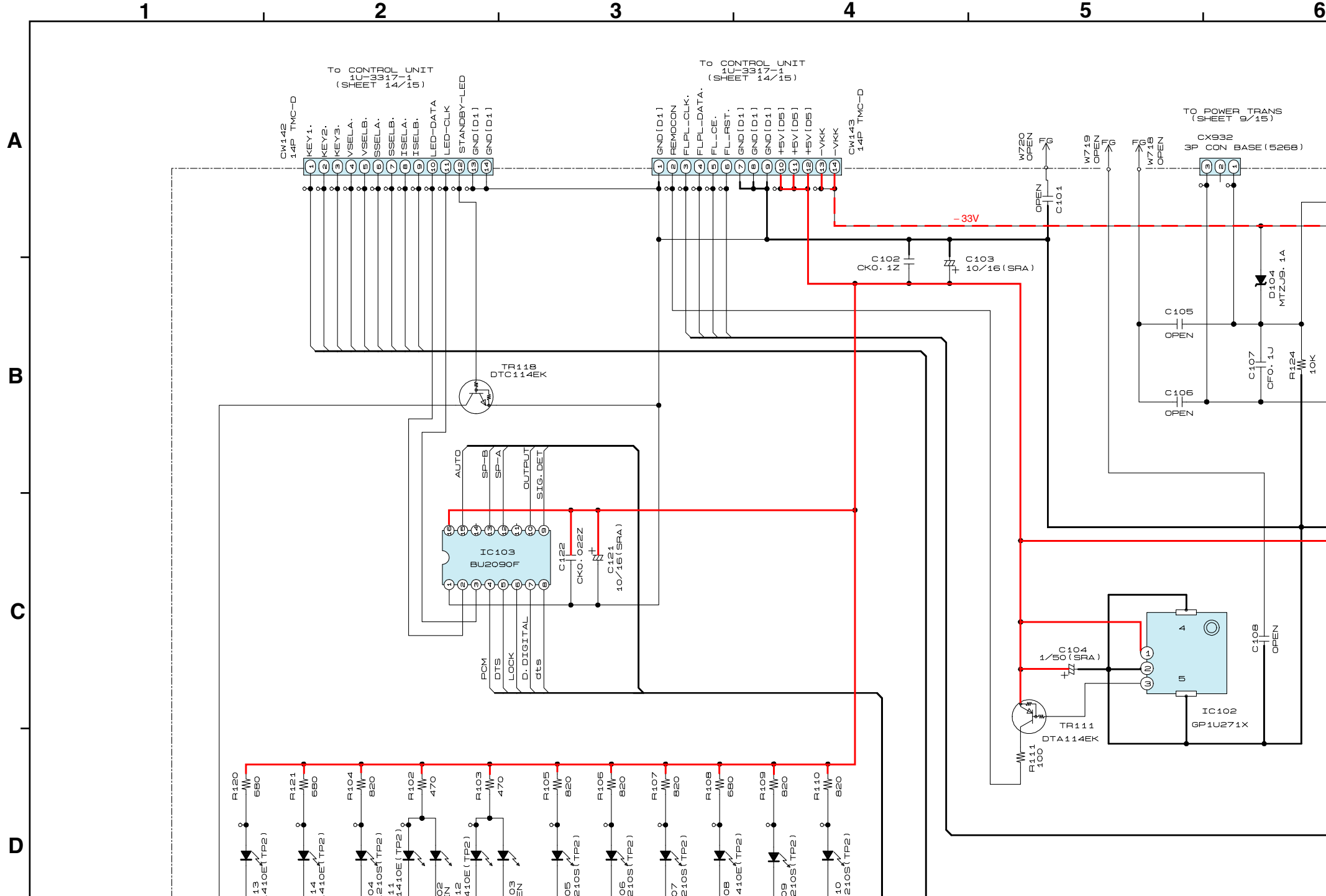
CAUTION:
Before returning the unit to the customer, make sure you make either (1) a leakage current check or (2) a line to chassis resistance check. If the leakage current exceeds 0.5 milliamps, or if the resistance from chassis to either side of the power card is less than 460 kohms, the unit is defective.

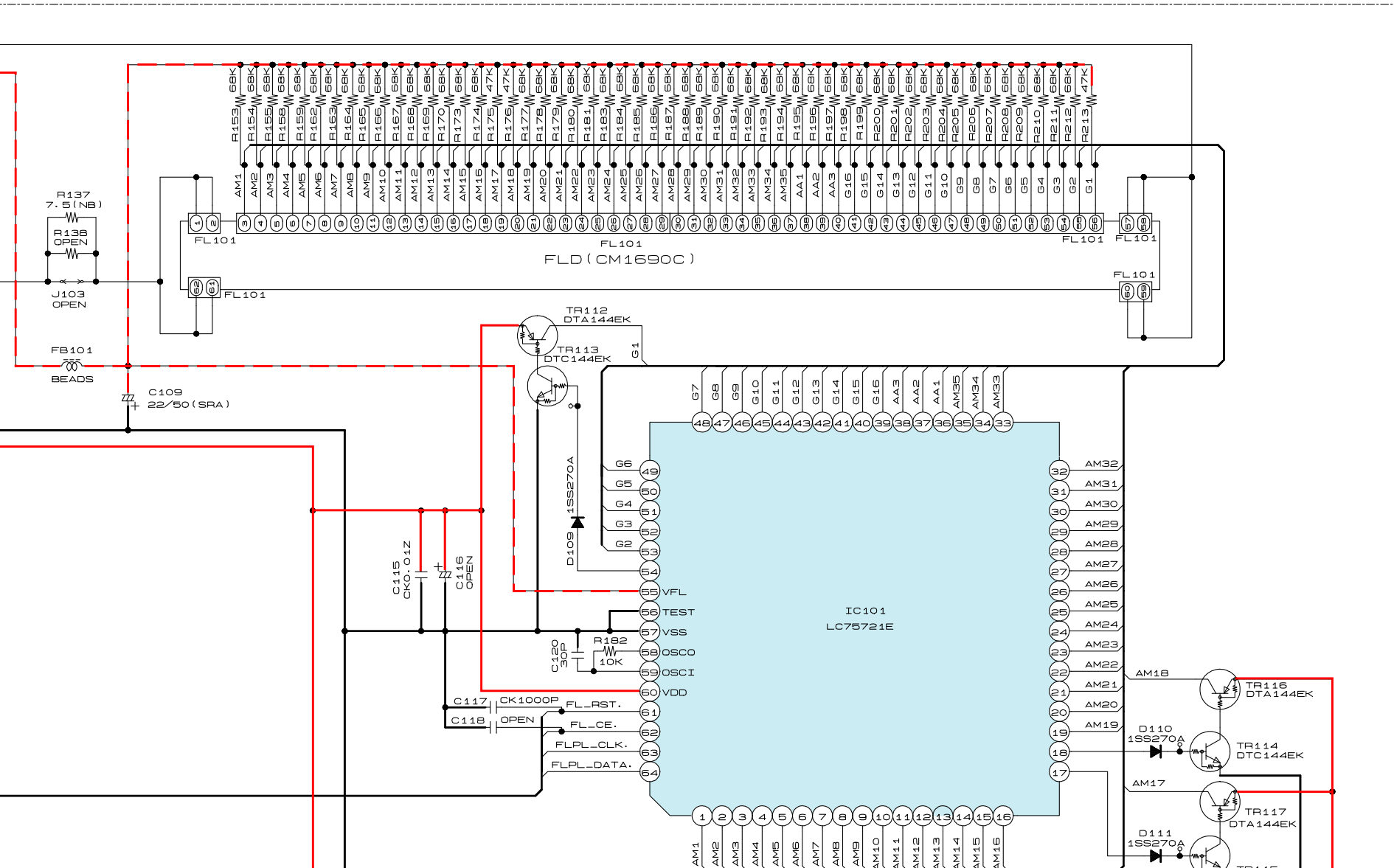
WARNING:
DO NOT return the unit to the customer until the problem is located and corrected.

NOTICE
ALL RESISTANCE VALUES IN OHM. k=1,000 OHM M=1,000,000 OHM
ALL CAPACITANCE VALUES IN MICRO FARAD. P=MICRO-MICRO FARAD
EACH VOLTAGE AND CURRENT ARE MEASURED AT NO SIGNAL INPUT CONDITION.
CIRCUIT AND PARTS ARE SUBJECT TO CHANGE WITHOUT PRIOR NOTICE.

SCHEMATIC DIAGRAMS (15/15)
1U-3316-2 DISPLAY UNIT
1U-3316-3 VOL UNIT

SCHEMATIC DIAGRAMS (15/15)



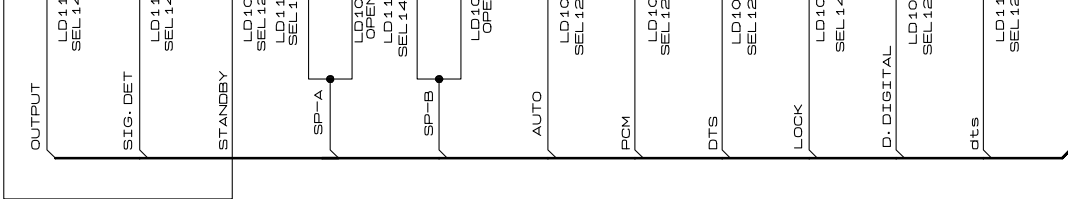


E

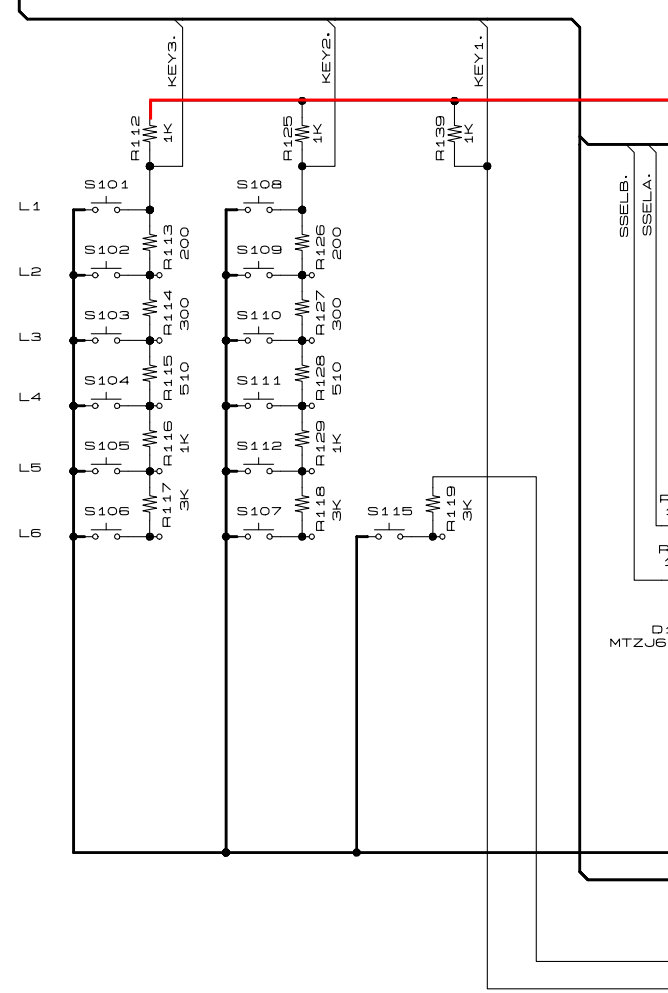
F

G

H




1U-3316-1 DISPLAY UNIT



NOTICE

ALL RESISTANCE VALUES IN OHM. k=1,000 OHM M=1,000,000 OHM
 ALL CAPACITANCE VALUES IN MICRO FARAD. P=MICRO-MICRO FARAD
 EACH VOLTAGE AND CURRENT ARE MEASURED AT NO SIGNAL INPUT
 CONDITION.
 CIRCUIT AND PARTS ARE SUBJECT TO CHANGE WITHOUT PRIOR
 NOTICE.

WARNING:

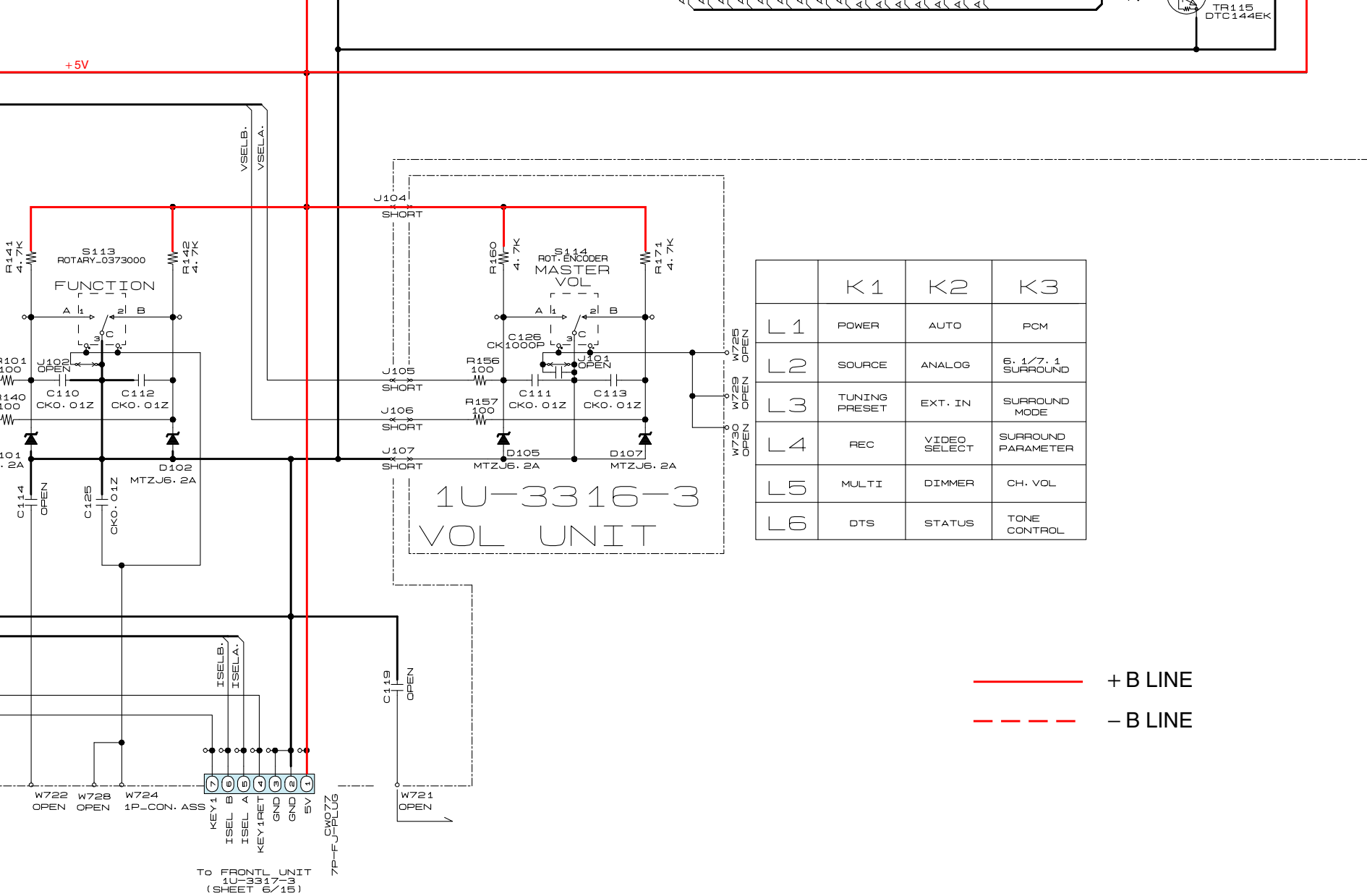
Parts marked with this symbol  have critical characteristics.
 Use ONLY replacement parts recommended by the manufacture.

CAUTION:

Before returning the unit to the customer, make sure you make either (1) a leakage current check or (2) a line to chassis resistance check. If the leakage current exceeds 0.5 milliamps, or if the resistance from chassis to either side of the power card is less than 460 kohms, the unit is defective.

WARNING:

DO NOT return the unit to the customer until the problem is located and corrected.



	K 1	K 2	K 3
L 1	POWER	AUTO	PCM
L 2	SOURCE	ANALOG	6. 1/7. 1 SURROUND
L 3	TUNING PRESET	EXT. IN	SURROUND MODE
L 4	REC	VIDEO SELECT	SURROUND PARAMETER
L 5	MULTI	DIMMER	CH. VOL
L 6	DTS	STATUS	STONE CONTROL

1U-3316-3
VOL UNIT

— + B LINE
- - - - -B LINE

SCHEMATIC DIAGRAMS (15/15)
1U-3316-2 DISPLAY UNIT
1U-3316-3 VOL UNIT