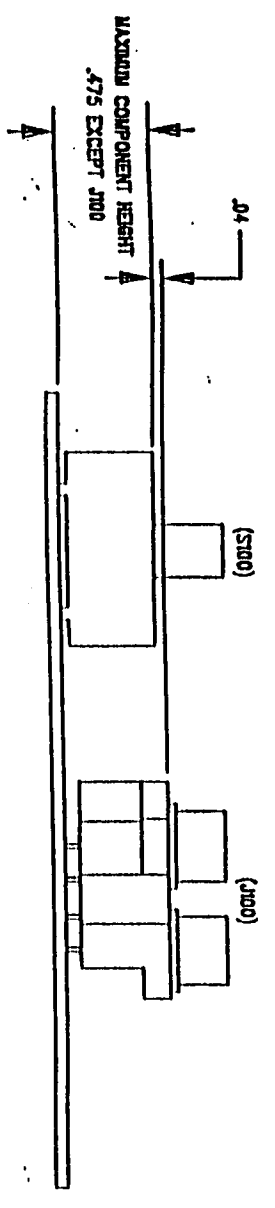
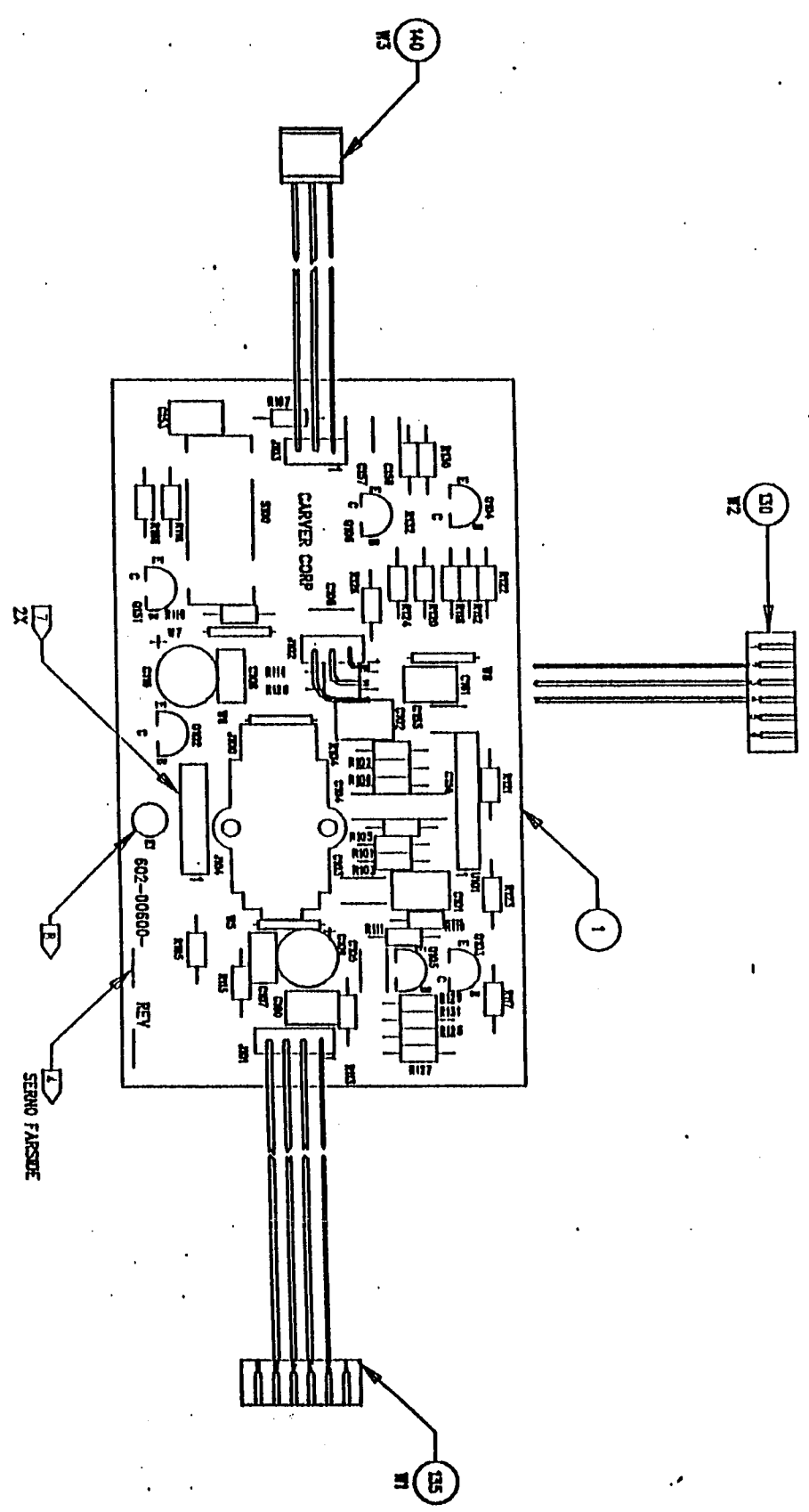


K

**A-400X
Schematic**

PART NO. 602-00600-01		REV. 1	REV. A
DATE	DESCRIPTION	DATE	APPROVED
	A PRODUCTION RELEASE	7-3-74	[Signature]



- 1. COMPONENTS TO BE MASKED PRIOR TO FLOW SOLDER. E1.
- 2. COMPONENTS NOT TO BE INSTALLED: E1 AND J104.
- 3. SOLDER PLUG NOT REQUIRED.
- 4. SOLDER PAD INDICATES PIN NO. ONE.
- 5. MARK APPROPRIATE DASH NO., REV AND SERIAL NO. USING CONTRASTING, NON-CONDUCTIVE INK IN J6 FOR HIGH CHARACTERS.
- 6. ASSEMBLE PER CARVER WORKMANSHIP STANDARDS W20001.
- 7. SEE 602-00600-01 FOR SCHEDULED DIAGRAM.
- 8. SEE SEPARATE PARTS LIST.

NOTES: UNLESS OTHERWISE SPECIFIED.

CHECKS CONFORMING SPECIFIED REQUIREMENTS FOR THIS DRAWING		APPROVALS		DATE	
DESIGNED BY	DATE	DESIGNED BY	DATE	DESIGNED BY	DATE
1	3/7/74	1	3/7/74	1	3/7/74
2	3/7/74	2	3/7/74	2	3/7/74
3	3/7/74	3	3/7/74	3	3/7/74
DRAWN BY		CHECKED BY		DATE	
1		1		3/7/74	
TITLE		SCALE		SHEET NO.	
CIRCUIT CARD ASSEMBLY - INPUT		1/1		1	
PART NO. 602-00600-01		REV. A		REV. A	

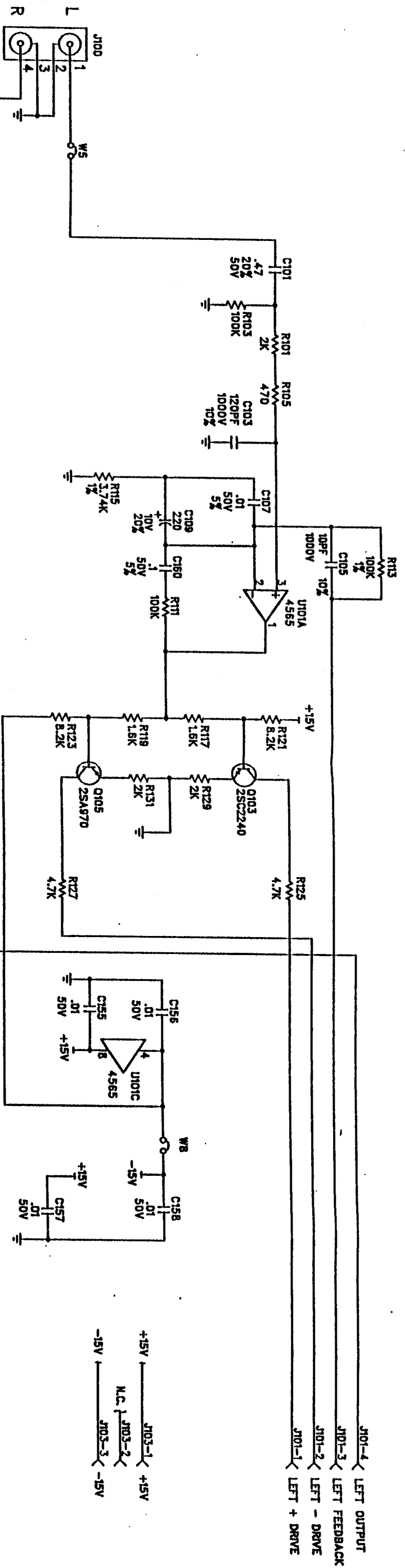
CARVER

CIRCUIT CARD ASSEMBLY - INPUT

DO NOT SCALE DRAWING

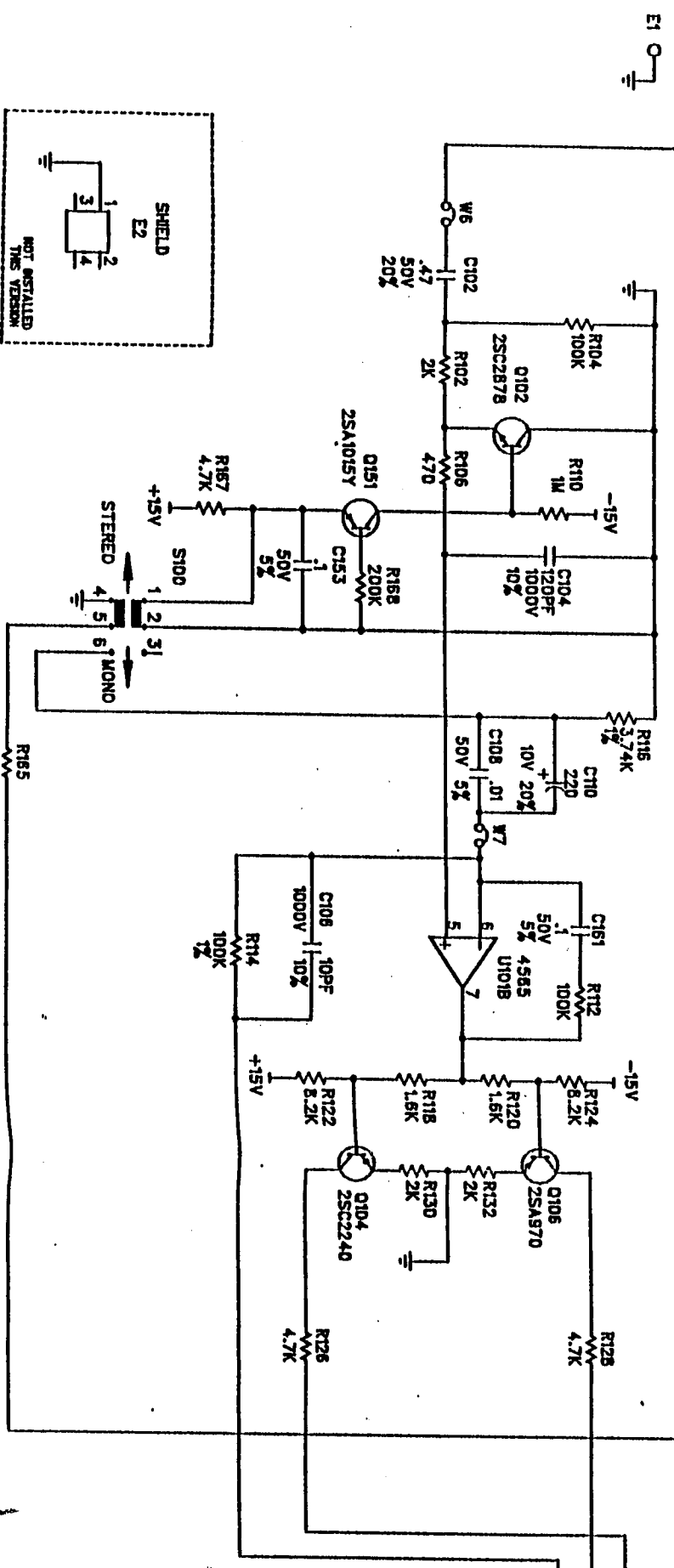
REV. NO.		REV. 1		REV. B		REV. 1	
ZONE	REV	DESCRIPTION	DATE	APPROVED	DATE	APPROVED	DATE
A		PRODUCTION RELEASE	03/23/64	MJV			
B		INC ECD 3539	5/5				

8 7 6 5 4 3

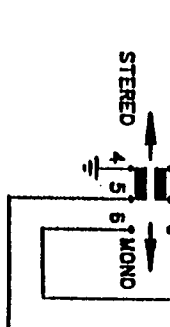


J101-4 LEFT OUTPUT
 J101-3 LEFT FEEDBACK
 J101-2 LEFT - DRIVE
 J101-1 LEFT + DRIVE

J103-1 +15V
 J103-2 -15V
 J103-3 -15V



J102-1 RIGHT + DRIVE
 J102-2 RIGHT - DRIVE
 J102-3 RIGHT FEEDBACK



SHIELD E2
 NOT INSTALLED THIS VERSION

PRODUCTION
 CONFIDENTIAL

- ALL CAPACITORS ARE IN MICROFARADS. 100V, +50/-20%.
 - ALL RESISTORS ARE IN OHMS, 1/4W, 5%.
- NOTES: UNLESS OTHERWISE SPECIFIED

CARVER

INPUT - SCHEMATIC DIAGRAM

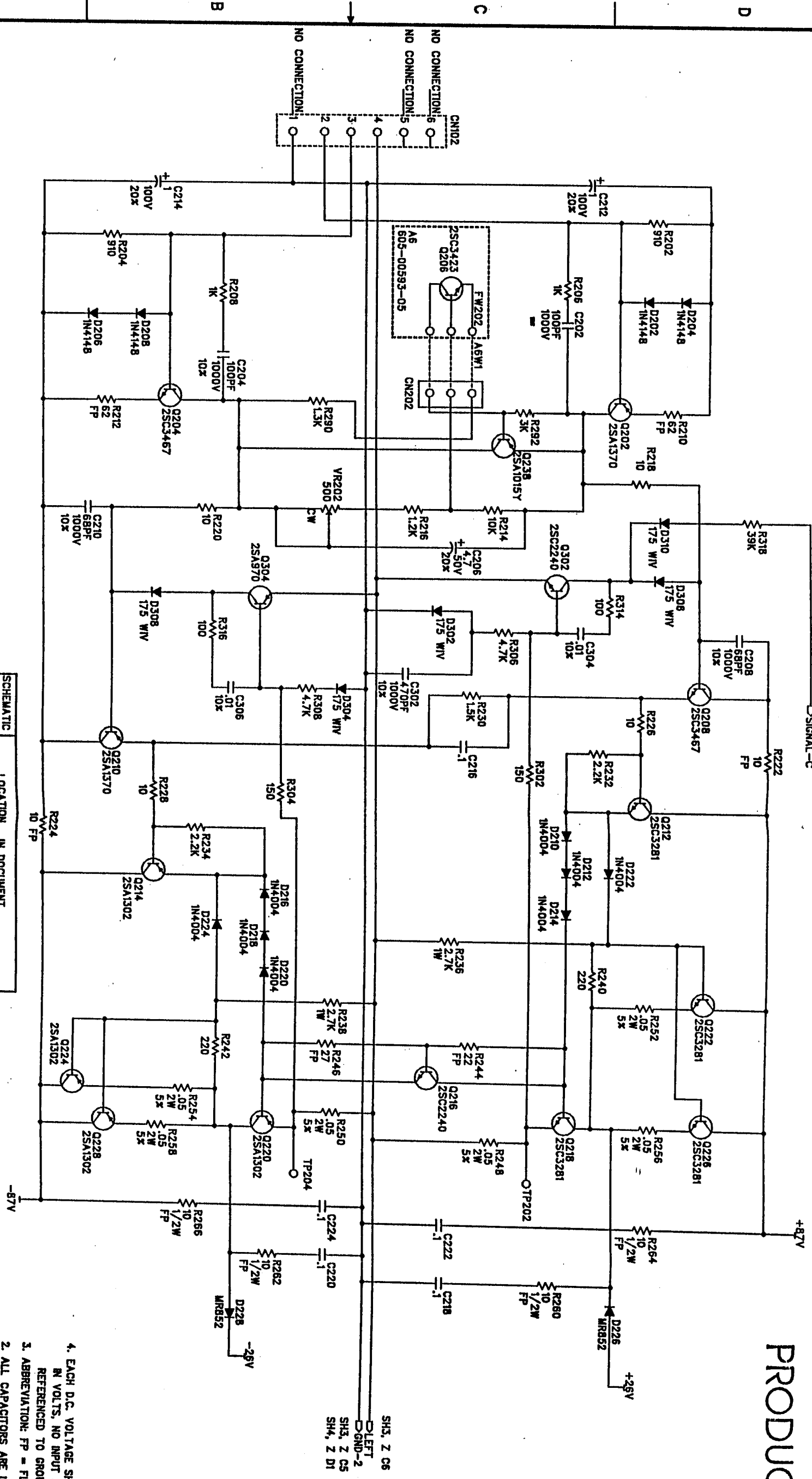
APPROVALS	DATE
DESIGNED BY: E. PARSONS	12/23/63
CHECKED BY: E. PARSONS	12/23/63
DATE: E. ALLEN	12/23/63
BY: E. PARSONS	12/23/63
DATE: E. WALTERS	12/23/63
BY: S. WELLS	12/23/63

TFM-35z
 RECD ON

605-00600-01 B

REVIEWS		DATE	APPROVED
1	1	2/20/75	
2	1	1/23	

PRODUCTION



RIGHT AMP

605-00593-06

SCHEMATIC DASH No.	LOCATION IN DOCUMENT
-01	SEE SEPARATE SCHEMATIC (TFM-35x)
-02	SEE SEPARATE SCHEMATIC (TFM-55x)
-03	NOT USED (LIGHT)
-04	SH2 Z C7 (XSTR LEFT)
-05	SH1 Z C7 (XSTR RIGHT)
-06	SHEET 1 THRU SHEET 4 (A-400x)
-07	SH4 Z C8 (LED)

CARVER

MAIN AMPLIFIER - SCHEMATIC DIAGRAM

APPROVALS	DATE
DESIGNED BY: K. WALTERS	12/16/75
CHECKED BY: F. PETERS	12/16/75
APPROVED BY: E. BURDET	12/16/75
DATE: 12/16/75	
BY: L. VOLKMAN	12/16/75

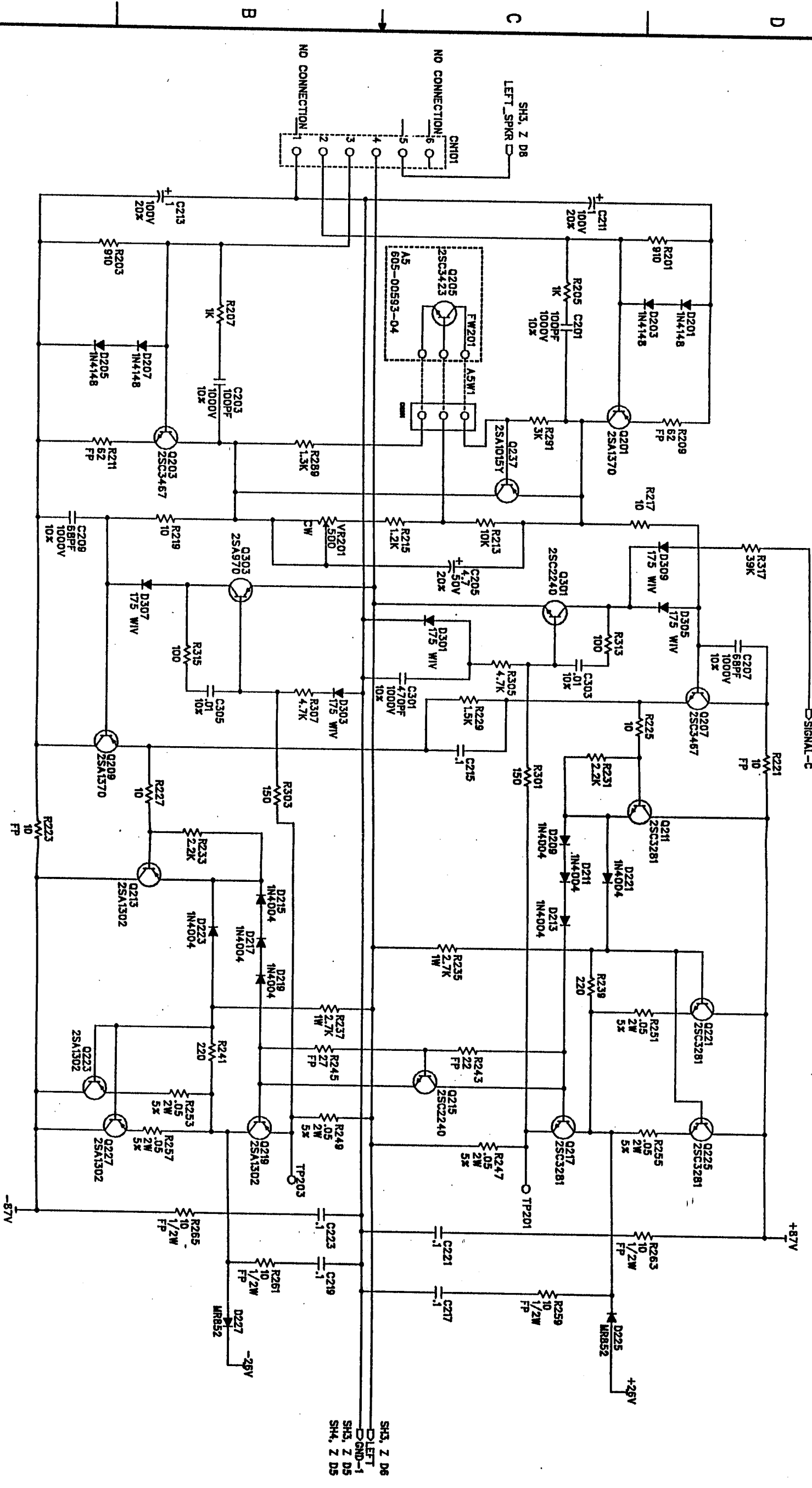
NOTES: UNLESS OTHERWISE SPECIFIED

1. ALL RESISTORS ARE IN OHMS, 1/4W, 5%.
2. ALL CAPACITORS ARE IN MICROFARADS, 100V, 5%.
3. ABBREVIATION: FP = FLAME PROOF.
4. EACH D.C. VOLTAGE SHOWS NOMINAL VALUE IN VOLTS, NO INPUT SIGNAL, REFERENCED TO GROUND.

605-00593-06 B

REV. NO.	605-00593-06	REV. 2	REV. B
DATE		DATE	
APPROVED		APPROVED	
DESCRIPTION	REVISIONS		
REV. 1			

PRODUCTION



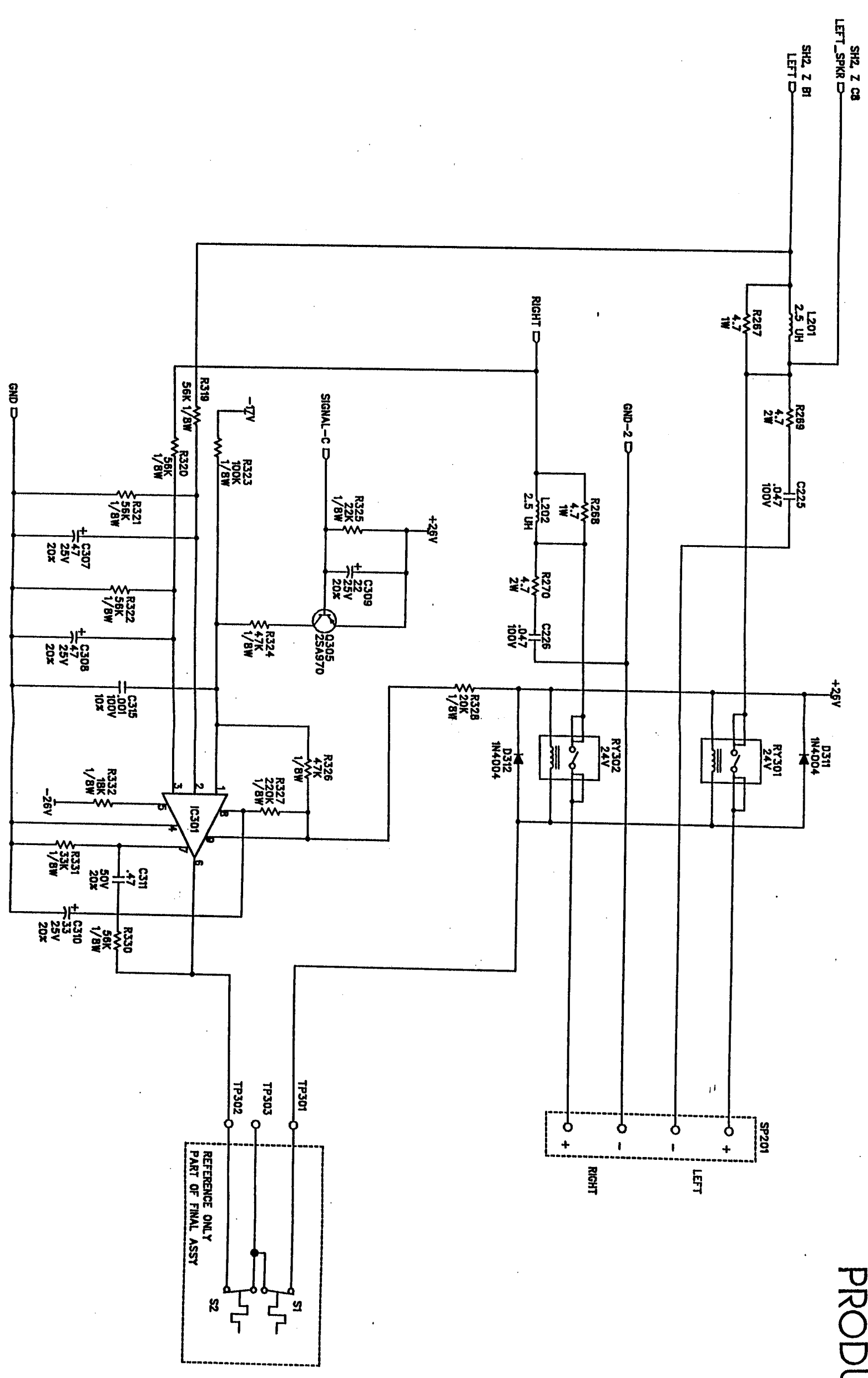
LEFT AMP

605-00593-06

CARVER-	
REV. NO.	605-00593-06
REV. 2	REV. B

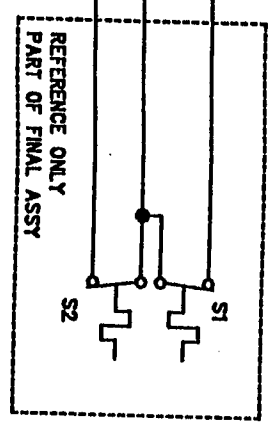
FORM NO.	605-00593-06	REV	3	REV	B
REVISIONS					
ZONE	REV	DESCRIPTION	DATE	APPROVED	
		SEE SHEET 1			

PRODUCTION



605-00593-06

IC301	IC PIN NO.	1	2	3	4	5	6	7	8	9
	VOLTAGE	-6	0	0	0	-7	-6	0	1.3	3

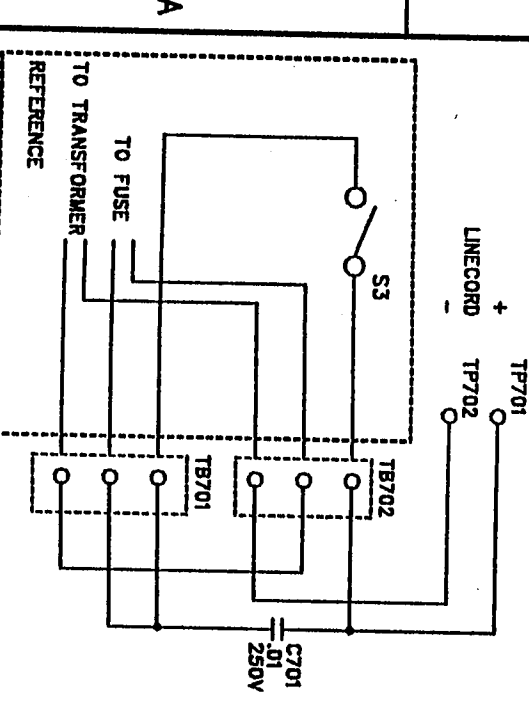
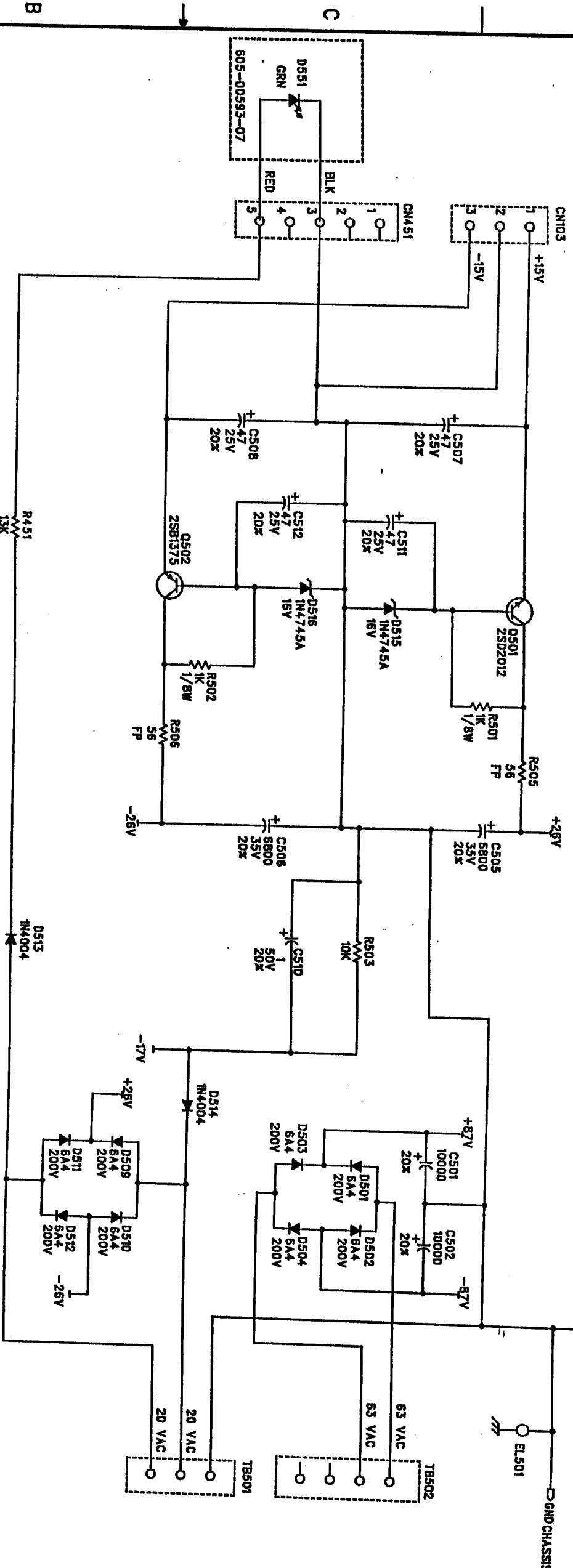


CARVER
605-00593-06

FORM NO.	605-00593-06	REV	4	DATE	B
REVISIONS					
ZONE	REV	DESCRIPTION	DATE	APPROVED	
		SEE SHEET 1			

PRODUCTION

- SH3, Z A5
- GND -3
- SH1, Z B1
- SH3, Z C5
- GND -2
- SH2, Z B1
- SH3, Z D5
- GND -1



8 7 6 5 4 3 2 1

A B C D

8 7 6 5 4 3 2 1

A B C D

FORM NO. 605-00593-06

REV. 4

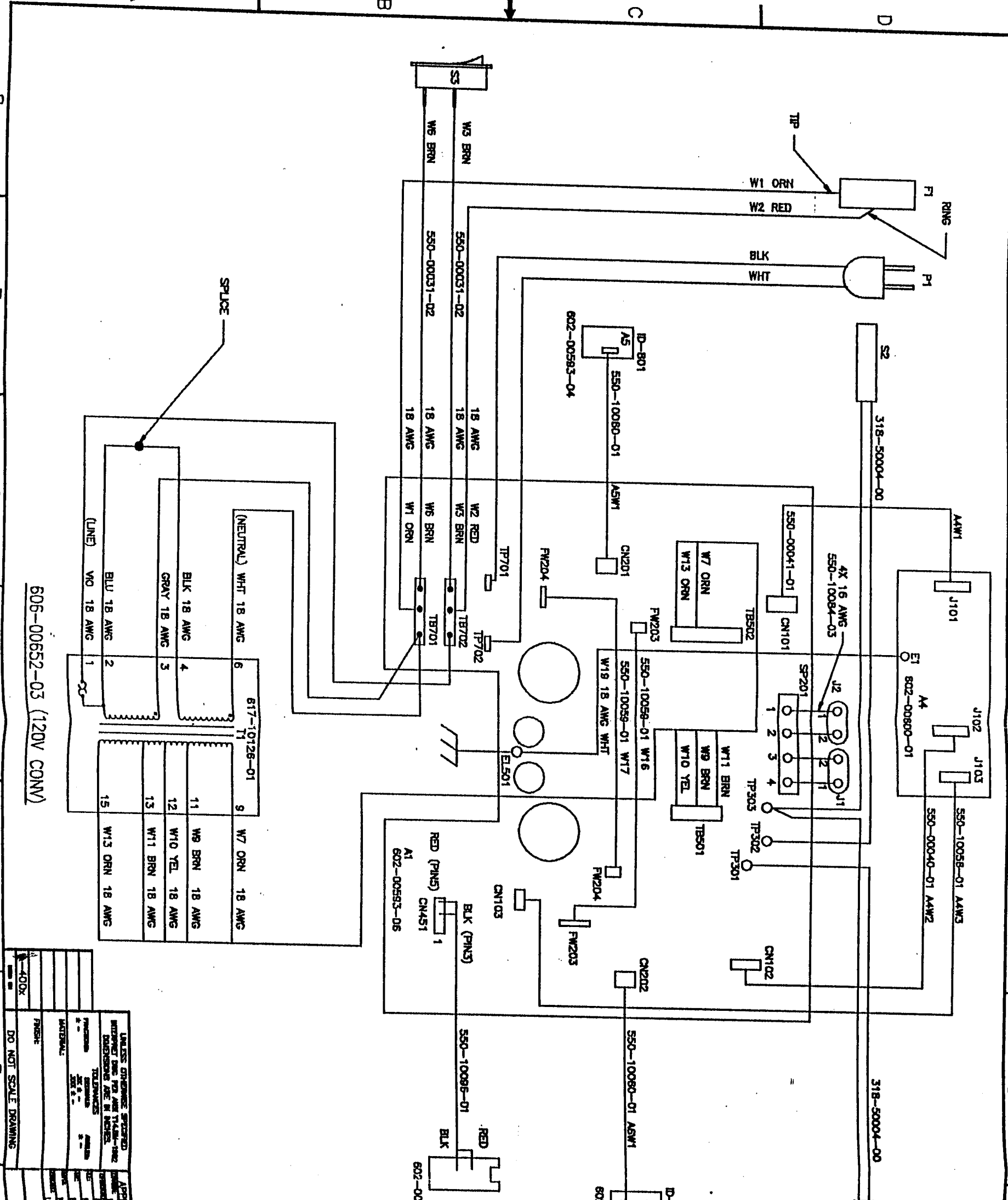
DATE B

APPROVED

CARVER

REV. NO.		606-00652-XX		REV. 1		REV. A	
DATE	3-1-95	DESIGNED BY		APPROVED BY		REASON FOR CHANGE	
DATE		DESIGNED BY		APPROVED BY		REASON FOR CHANGE	
DATE		DESIGNED BY		APPROVED BY		REASON FOR CHANGE	
DATE		DESIGNED BY		APPROVED BY		REASON FOR CHANGE	
DATE		DESIGNED BY		APPROVED BY		REASON FOR CHANGE	

PROPRIETARY TO
CARVER
CONFIDENTIAL
PRODUCTION



UNLESS OTHERWISE SPECIFIED		APPROVALS	DATE
DIMENSIONS ARE IN INCHES		DESIGNED BY	3-1-95
TOLERANCES		CHECKED BY	3-1-95
FRACTIONS		APPROVED BY	3-1-95
DECIMALS		DATE	3-1-95
ANGLES		BY	3-1-95
HORIZONTALS		DATE	3-1-95
VERTICALS		BY	3-1-95
HOLE LOCATIONS		DATE	3-1-95
HOLE DIAMETERS		BY	3-1-95
HOLE SPACINGS		DATE	3-1-95
HOLE DRILLING		BY	3-1-95
HOLE FINISH		DATE	3-1-95
HOLE LOCATION		BY	3-1-95

UNLESS OTHERWISE SPECIFIED
DIMENSIONS ARE IN INCHES
TOLERANCES
FRACTIONS 1/16, 1/8, 3/16, 1/4, 3/8, 1/2, 5/8, 3/4, 7/8, 1.0
DECIMALS .005, .010, .015, .020, .025, .030, .035, .040, .045, .050, .055, .060, .065, .070, .075, .080, .085, .090, .095, .100, .105, .110, .115, .120, .125, .130, .135, .140, .145, .150, .155, .160, .165, .170, .175, .180, .185, .190, .195, .200, .205, .210, .215, .220, .225, .230, .235, .240, .245, .250, .255, .260, .265, .270, .275, .280, .285, .290, .295, .300, .305, .310, .315, .320, .325, .330, .335, .340, .345, .350, .355, .360, .365, .370, .375, .380, .385, .390, .395, .400, .405, .410, .415, .420, .425, .430, .435, .440, .445, .450, .455, .460, .465, .470, .475, .480, .485, .490, .495, .500, .505, .510, .515, .520, .525, .530, .535, .540, .545, .550, .555, .560, .565, .570, .575, .580, .585, .590, .595, .600, .605, .610, .615, .620, .625, .630, .635, .640, .645, .650, .655, .660, .665, .670, .675, .680, .685, .690, .695, .700, .705, .710, .715, .720, .725, .730, .735, .740, .745, .750, .755, .760, .765, .770, .775, .780, .785, .790, .795, .800, .805, .810, .815, .820, .825, .830, .835, .840, .845, .850, .855, .860, .865, .870, .875, .880, .885, .890, .895, .900, .905, .910, .915, .920, .925, .930, .935, .940, .945, .950, .955, .960, .965, .970, .975, .980, .985, .990, .995, 1.000

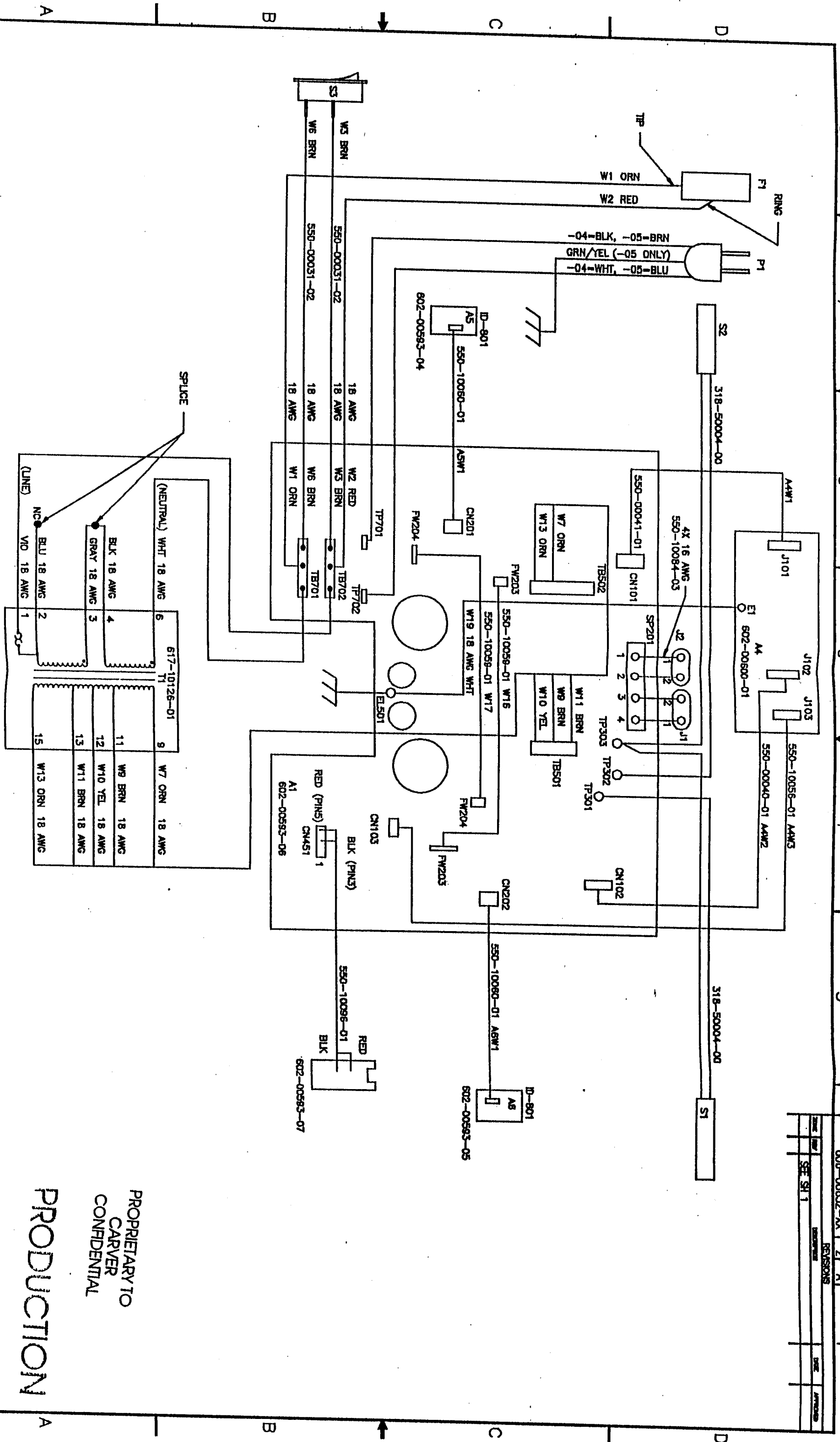
UNLESS OTHERWISE SPECIFIED
DIMENSIONS ARE IN INCHES
TOLERANCES
FRACTIONS 1/16, 1/8, 3/16, 1/4, 3/8, 1/2, 5/8, 3/4, 7/8, 1.0
DECIMALS .005, .010, .015, .020, .025, .030, .035, .040, .045, .050, .055, .060, .065, .070, .075, .080, .085, .090, .095, .100, .105, .110, .115, .120, .125, .130, .135, .140, .145, .150, .155, .160, .165, .170, .175, .180, .185, .190, .195, .200, .205, .210, .215, .220, .225, .230, .235, .240, .245, .250, .255, .260, .265, .270, .275, .280, .285, .290, .295, .300, .305, .310, .315, .320, .325, .330, .335, .340, .345, .350, .355, .360, .365, .370, .375, .380, .385, .390, .395, .400, .405, .410, .415, .420, .425, .430, .435, .440, .445, .450, .455, .460, .465, .470, .475, .480, .485, .490, .495, .500, .505, .510, .515, .520, .525, .530, .535, .540, .545, .550, .555, .560, .565, .570, .575, .580, .585, .590, .595, .600, .605, .610, .615, .620, .625, .630, .635, .640, .645, .650, .655, .660, .665, .670, .675, .680, .685, .690, .695, .700, .705, .710, .715, .720, .725, .730, .735, .740, .745, .750, .755, .760, .765, .770, .775, .780, .785, .790, .795, .800, .805, .810, .815, .820, .825, .830, .835, .840, .845, .850, .855, .860, .865, .870, .875, .880, .885, .890, .895, .900, .905, .910, .915, .920, .925, .930, .935, .940, .945, .950, .955, .960, .965, .970, .975, .980, .985, .990, .995, 1.000

UNLESS OTHERWISE SPECIFIED
DIMENSIONS ARE IN INCHES
TOLERANCES
FRACTIONS 1/16, 1/8, 3/16, 1/4, 3/8, 1/2, 5/8, 3/4, 7/8, 1.0
DECIMALS .005, .010, .015, .020, .025, .030, .035, .040, .045, .050, .055, .060, .065, .070, .075, .080, .085, .090, .095, .100, .105, .110, .115, .120, .125, .130, .135, .140, .145, .150, .155, .160, .165, .170, .175, .180, .185, .190, .195, .200, .205, .210, .215, .220, .225, .230, .235, .240, .245, .250, .255, .260, .265, .270, .275, .280, .285, .290, .295, .300, .305, .310, .315, .320, .325, .330, .335, .340, .345, .350, .355, .360, .365, .370, .375, .380, .385, .390, .395, .400, .405, .410, .415, .420, .425, .430, .435, .440, .445, .450, .455, .460, .465, .470, .475, .480, .485, .490, .495, .500, .505, .510, .515, .520, .525, .530, .535, .540, .545, .550, .555, .560, .565, .570, .575, .580, .585, .590, .595, .600, .605, .610, .615, .620, .625, .630, .635, .640, .645, .650, .655, .660, .665, .670, .675, .680, .685, .690, .695, .700, .705, .710, .715, .720, .725, .730, .735, .740, .745, .750, .755, .760, .765, .770, .775, .780, .785, .790, .795, .800, .805, .810, .815, .820, .825, .830, .835, .840, .845, .850, .855, .860, .865, .870, .875, .880, .885, .890, .895, .900, .905, .910, .915, .920, .925, .930, .935, .940, .945, .950, .955, .960, .965, .970, .975, .980, .985, .990, .995, 1.000

CARVER
AMPLIFIER ASSY -
WIRING DIAGRAM A-400X
606-00652-XX | A

REV	DATE	BY	APP
1			
2			

606-00652-XX (M2) A



PROPRIETARY TO
CARVER
CONFIDENTIAL

PRODUCTION

CARVER
D WIR400X 606-00652-XX A
REV 2 2

8 7 6 5 4 3 2 1

606-00652-04 (230V CONV)
606-00652-05 (EURO)

A-400X

101-30001-00	FOOT, RUBBER ROUND .63W X .31H A	2
105-30007-01	FOOT, 1.96 DIA X .64 HIGH A	1
105-40014-00	FUSEHOLDER PANEL MNT 120-230V A	5
105-50000-00	FUSE CARRIER 120V A	10
106-30011-01	GROMMET, #8 ROUND HOLE A	15
109-10022-02	PHONO JACK 2P SLDR DIP PIN GLD B	5
111-20051-00	SOLDER LUG #6 A	5
115-30016-01	POST, BDG, DUAL SHORT RED/BLK C	13
115-60002-01	TAB, PCB, .250 A	5
118-90007-00	STRN RE MCT.063 SJT 16/3&18/3 A	20
119-20035-01	TEST POINT A	10
151-20002-00	SCRW, MACH PP 4-40X3/8 BLK WAX A	36
151-30002-00	SCREW SHT MTL PP BLK 4X3/8 "A" A	80
151-30005-01	SCREW SHT MTL PP BLK 4X3/16 B A	85
151-30102-00	SCREW SHT MTL PP BLK 8X3/8 "A" A	42
151-30102-00	SCREW SHT MTL PP BLK 8X3/8 "A" A	45
151-30106-00	SCREW SHT MTL PP BLK 8X3/4 "A" A	46
151-30107-01	SCRW, SM PP SERR BLK 6X1/4 "B" A	40
151-30168-03	SCRW PNH #4 SLFTPG W/WSHR 1/2" B	75
152-20003-01	U-TYPE CLIP #8 SHT MTL A	95
154-30002-00	WASHER, SPLIT LOCK BLK. #8 A	105
159-50002-00	TYRAP 4"L WHT A	115
159-70003-02	CLAMP, CABLE KURLY-LOK .5 A	116
160-20009-00	CONNECTOR 3 PIN B-TONE CN401 A	25
160-20014-00	CONNECTOR, SPLICE NYLON INSUL A	118
160-20500-07	FAST NYL 16-14AWG BLU .250 C	119
160-30045-06	CONN, HDR, 6 PIN .100 SHROUDED B	40
201-00002-00	CAP CER DISC 10 PF 1000V 10% C	10
201-00009-00	CAP CER DISC 68 PF 1000V 10% B	45
201-00012-00	CAP CER DISC 100 PF 1000V 10% B	50
201-00013-00	CAP CER DISC 120 PF 1000V 10% B	15
201-00023-00	CAP CER DISC 470 PF 1000V 10% B	55
201-00035-00	CAP, CER .01UF 250VAC UL/CSA B	60
201-00127-02	CAP CR DSK .01UF 50V +80-20 .2 B	20
204-00003-00	CAP PLYFLM .001 UF 100V 10% RD A	70
204-00015-00	CAP PLYFLM .01 UF 100V 10% RAD A	75
204-00042-00	CAP PLYFLM .1 UF 100V 5% RAD A	80
204-00065-00	CAP PLYFLM .047 UF 100V 5% RAD A	85
204-00101-00	CAP PLYFLM .47 UF 50V 20% RAD A	25
204-00134-00	CAP MTL FLM .01 UF 50V 5% A	30
204-00146-00	CAP MTL FLM .1 UF 50V 5% B	35
205-00001-02	CAP LYTIC 1 UF 50V 20% RAD .2 B	90
205-00006-02	CAP LYTIC 4.7UF 50V 20% RAD .2 B	95
205-00011-02	CAP LYTIC 22 UF 25V 20% RAD .2 D	100
205-00013-02	CAP LYTIC 47 UF 25V 20% RAD .2 B	105
205-00054-02	CAP LYTIC 1 UF 100V 20% RAD .2 B	115
205-00065-02	CAP LYTIC .47UF 50V RAD .2LS A	120
205-00159-00	CAP LYTIC 33 UF 25V 20% RAD A	125
205-00161-00	CAP LYTIC 10,000 UF 100V SNAP B	130
205-00177-00	CAP, LYTIC 6800 UF, 35V A	135
205-00179-02	CAP LYTIC 220 UF 10V MINI 20% A	40

A-400X

259-30012-01	POT, 500 OHM 6MM ROUND	A	150
260-50100-04A	RES, CF 5% 10 OHM 1/4W	A	155
260-50101-04A	RES, CF 5% 100 OHM 1/4W	A	160
260-50102-03A	RES, CF 5% 1K 1/8W	B	165
260-50102-04A	RES, CF 5% 1K 1/4W	A	170
260-50103-04A	RES, CF 5% 10K 1/4W	A	180
260-50104-03A	RES, CF 5% 100K 1/8W	B	185
260-50104-04A	RES, CF 5% 100K 1/4W	A	0
260-50104-04D	RES, CF 5% 100K 1/4W .5	A	45
260-50105-04A	RES, CF 5% 1M 1/4W	A	0
260-50105-04D	RES, CF 5% 1M 1/4W .5	A	50
260-50122-04A	RES, CF 5% 1.2K 1/4W	A	0
260-50122-04D	RES, CF 5% 1.2K 1/4W .5	A	190
260-50132-04A	RES, CF 5% 1.3K 1/4W	A	195
260-50133-04A	RES, CF 5% 13K 1/4W	A	197
260-50151-04A	RES, CF 5% 150 OHM 1/4W	A	200
260-50152-04A	RES, CF 5% 1.5K 1/4W	A	205
260-50162-04A	RES, CF 5% 1.6K 1/4W		0
260-50162-04D	RES, CF 5% 1.6K 1/4W .5	A	55
260-50183-03A	RES, CF 5% 18K 1/8W	B	210
260-50202-04A	RES, CF 5% 2K 1/4W		0
260-50202-04D	RES, CF 5% 2K 1/4W .5	A	60
260-50203-03A	RES, CF 5% 20K 1/8W	B	215
260-50204-04A	RES, CF 5% 200K 1/4W	A	0
260-50204-04D	RES, CF 5% 200K 1/4W .5	A	65
260-50221-04A	RES, CF 5% 220 OHM 1/4W	A	220
260-50222-04A	RES, CF 5% 2.2K 1/4W	A	225
260-50223-03A	RES, CF 5% 22K 1/8W	B	230
260-50224-03A	RES, CF 5% 220K 1/8W	B	235
260-50302-04A	RES, CF 5% 3K 1/4W	A	240
260-50333-03A	RES, CF 5% 33K 1/8W	B	245
260-50393-04A	RES, CF 5% 39K 1/4W	A	250
260-50471-04A	RES, CF 5% 470 OHM 1/4W	A	0
260-50471-04D	RES, CF 5% 470 OHM 1/4W .5	A	70
260-50472-04A	RES, CF 5% 4.7K 1/4W	A	255
260-50472-04A	RES, CF 5% 4.7K 1/4W	A	0
260-50472-04D	RES, CF 5% 4.7K 1/4W .5	A	75
260-50473-03A	RES, CF 5% 47K 1/8W	B	260
260-50563-03A	RES, CF 5% 56K 1/8W	B	270
260-50822-04A	RES, CF 5% 8.2K 1/4W		0
260-50822-04D	RES, CF 5% 8.2K 1/4W .5	A	80
260-50911-04A	RES, CF 5% 910 OHM 1/4W	A	275
262-31003-04A	RES, MF 1% 100K 1/4W		0
262-31003-04D	RES, MF 1% 100K 1/4W .5	A	85
262-33741-04A	RES, MF 1% 3.74K 1/4W		0
262-33741-04D	RES, MF 1% 3.74K 1/4W .5	A	90
263-50272-07A	RES MO FP 5% 2.7K 1W AX LG	B	280
263-50477-07A	RES MO FP 5% 4.7 1W AX LG	B	290
263-50477-08A	RES MO FUSIBLE 4.7OHM 2W AX	C	295
264-50509-08A	RES, WW 5% .05 OHM 2W UNPREP	A	145
266-50100-04A	RES FUSIBLE 5% 10 OHM 1/4W	C	300

A-400X

266-50100-05A	RES FUSIBLE 5% 10 OHM 1/2W	C	305
266-50220-04A	RES FUSIBLE 5% 22 OHM 1/4W	C	310
266-50270-04A	RES FUSIBLE 5% 27 OHM 1/4W	C	315
266-50560-04A	RES, FUS 5% 56 OHM 1/4W		0
266-50560-04D	RES FUSIBLE 5% 56 OHM 1/4W	.5 C	320
266-50620-04A	RES FUSIBLE 5% 62 OHM 1/4W	C	325
315-13006-00	FUSE, MDA 10	A	120
318-20004-00	SWITCH ROCKER SPST QICDIS. 15A	A	121
318-40011-01	SWITCH, SLIDE 2-POS 2-POLE		95
318-50004-00	SWITCH, THERMAL U1210005310A	C	130
320-20001-00	DIODE, 1N4148 75V UNPRP	D	330
320-20004-00	DIODE, 1N4004 400V UNPRP	C	335
320-20006-00	DIODE, 1N3070 175V UNPRP	C	340
320-20007-00	DIODE, MR852 200V .85	A	345
320-20010-03	DIODE 6AMP 400V UNPREP	D	350
320-30014-00	DIODE, ZENER 1N4745A 16V .4	A	355
320-40004-00	LED, GREEN, HIGH EFFICIENCY	B	5
321-30013-00	XSTR TO3P(L) NPN PWR 2SC3281-0	B	135
321-30014-00	XSTR TO3P(L) PNP PWR 2SA1302-0	B	140
321-40014-01	XISTOR TO92 PNP SM SG 2SA1015Y	A	360
321-40014-01	XISTOR TO92 PNP SM SG 2SA1015Y	A	100
321-40015-01	XISTOR TO92 PNP SM SG 2SA970	A	365
321-40015-01	XISTOR TO92 PNP SM SG 2SA970	A	105
321-40016-01	XISTOR TO92 NPN SM SG 2SC2240	A	370
321-40016-01	XISTOR TO92 NPN SM SG 2SC2240	A	110
321-40027-01	XISTOR TO92 NPN SM SG 2SC3792	A	115
321-60008-00	XISTOR 2006A PNP PWR 2SA1370	A	375
321-60009-00	XISTOR 2006A NPN PWR 2SC3467	A	380
321-60015-01	XISTOR TO220 NPN 2SD2012	A	385
321-60016-01	XISTOR TO220 PNP 2SB1375	A	390
321-90001-00	XISTOR B100 NPN PWR 2SC3423-Y	A	5
321-90001-00	XISTOR B100 NPN PWR 2SC3423-Y	A	5
330-30020-01	IC, SPEAKER PROTECT TA7317P	A	410
330-30021-01	IC, DUAL OP AMP SIP NJM4565	B	120
401-10204-00	WIRE 18 AWG TEW ORANGE 9"	A	150
401-10222-00	WIRE 18 AWG TEW RED 9"	A	146
401-10598-00	WIRE 22 AWG TR-64 BLUE 7"	-	413
401-20003-00	BUSS WIRE 22 GAGE SPOOL	B	415
401-20003-00	BUSS WIRE 22 GAGE SPOOL	B	125
401-30001-00	JUMPER .2X.25 22AWG INSUL WHT	A	418
401-90023-01	LC, RND 16/2 PLZD-CSA/UL APRD	B	160
402-10007-00	TUBING HTSHRK DUAL WALL 1/2"	A	165
403-00002-00	COLORLED ENAMEL W&W #452	-	167
403-10003-00	SEALANT SILICONE RUBBER RTV	A	422
403-10006-00	GLUE, HOT MELT		420
403-10020-00	LOCTITE #222	A	170
403-40030-01	TAPE, D BCK 1/2" SCOTCH 976 2ML	B	175
501-00514-01	PCB, 200-400W HIFI AMP	A	1
501-00600-01	PCB, INPUT	C	1
502-20105-01	CHASSIS, TFM-35X	G	185
503-20131-01	PANEL, FRONT A-400X	A	190

A-400X

503-20132-01	PANEL, REAR, A-400X	A	191
504-20113-01	COVER - TFM-35X	A	195
507-00050-00	BRACKET THERMAL SW UNIVERSAL	C	200
511-20043-01	HEATSINK - TFM-35X	C	230
512-10654-01	INSULATOR, 10 POSITION	A	235
530-20029-00	LABEL, CITY OF LA APPROVED		242
530-20100-00	STICKER, SERIAL # BLANKS	A	245
531-00012-01	LUG, SOLDER, #6	A	430
550-00031-02	CBL, .250 FAST #18 TEW 7" BRN	A	432
550-00040-01	CBL ASSY, #22 6PIN TO 3PIN 6"	A	130
550-00041-01	CBL ASSY, #22 6PIN TO 4PIN 6"	A	135
550-00042-01	CBL ASSY, #18 RING LUG NO.4 7"	A	137
550-10056-01	HARN CON 3 PIN #22 TR64 9"	A	140
550-10059-01	HARN CON .10 SPAC 3 POS 11"	A	435
550-10060-01	HRN CN 3PIN .098 SP #22TR64 3"	A	10
550-10060-01	HRN CN 3PIN .098 SP #22TR64 3"	A	10
550-10084-03	HARN #16 TR64 RNG TRM BLK 3.25 E		421
550-10096-01	HARN, LED CONN, 2 PIN	B	437
602-00593-04	CCA, XSTR LEFT	A	263
602-00593-05	CCA, XSTR RIGHT	A	264
602-00593-06	CCA, MAIN - A-400X	J	260
602-00593-07	CCA, LED MOUNTING	B	265
602-00600-01	CCA, INPUT - TFM-35X	D	261
616-00093-01	CHOKE, 2.5 UH	C	440
617-10126-01	TRANSFORMER, PWR AMP 400W	B	285
617-20000-01	RELAY, SPST 24V PC MNT	C	445