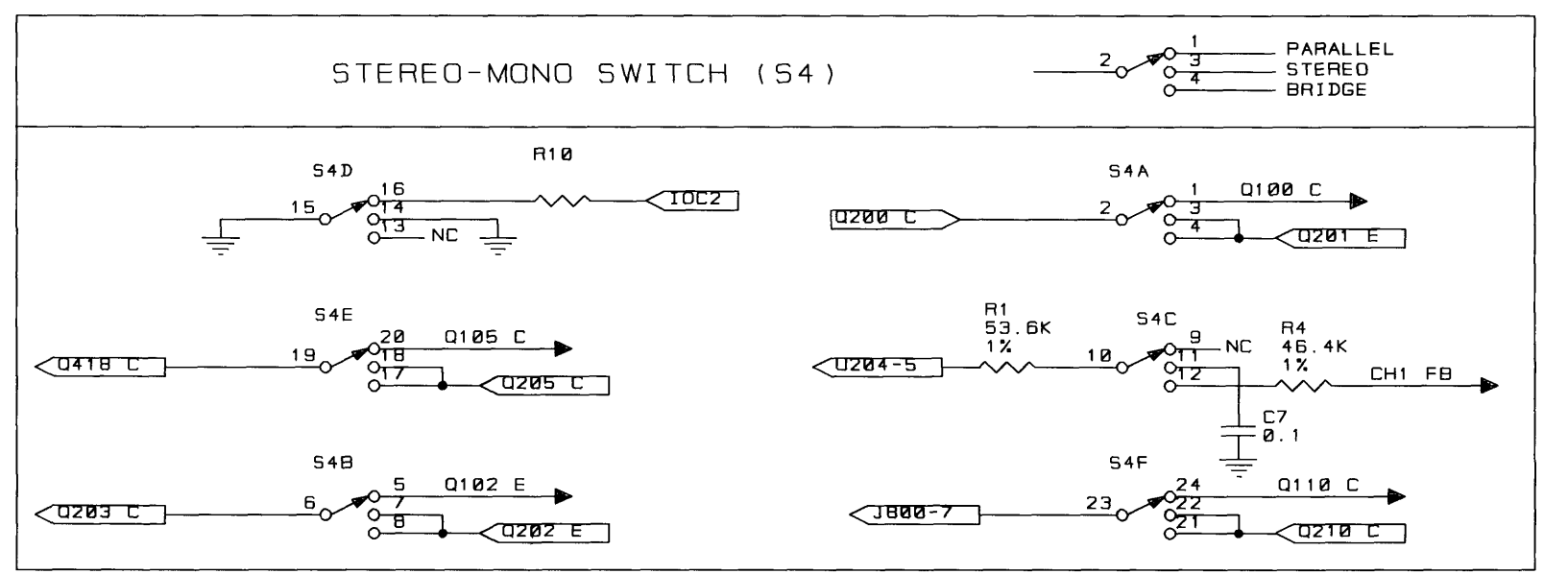
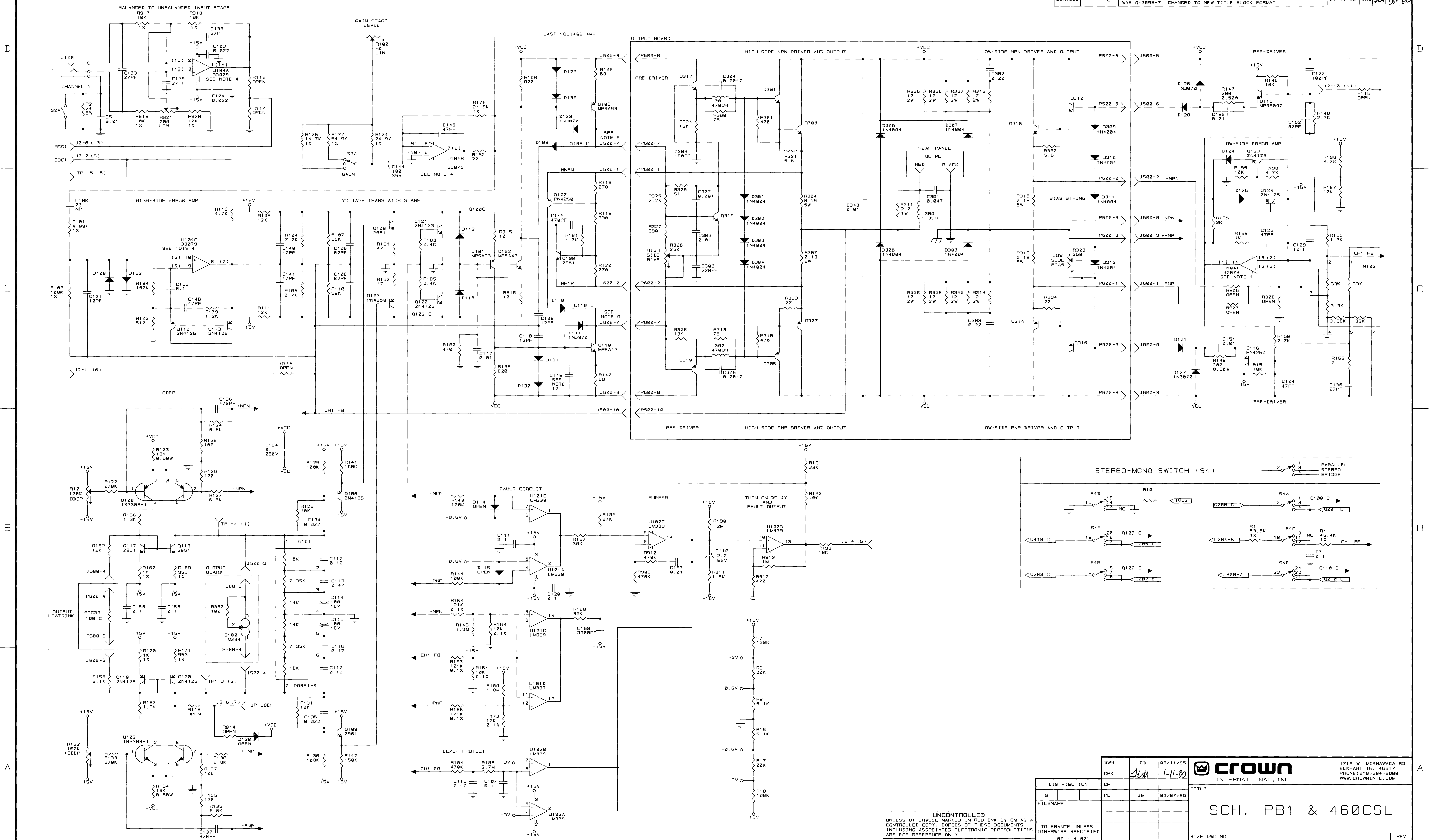
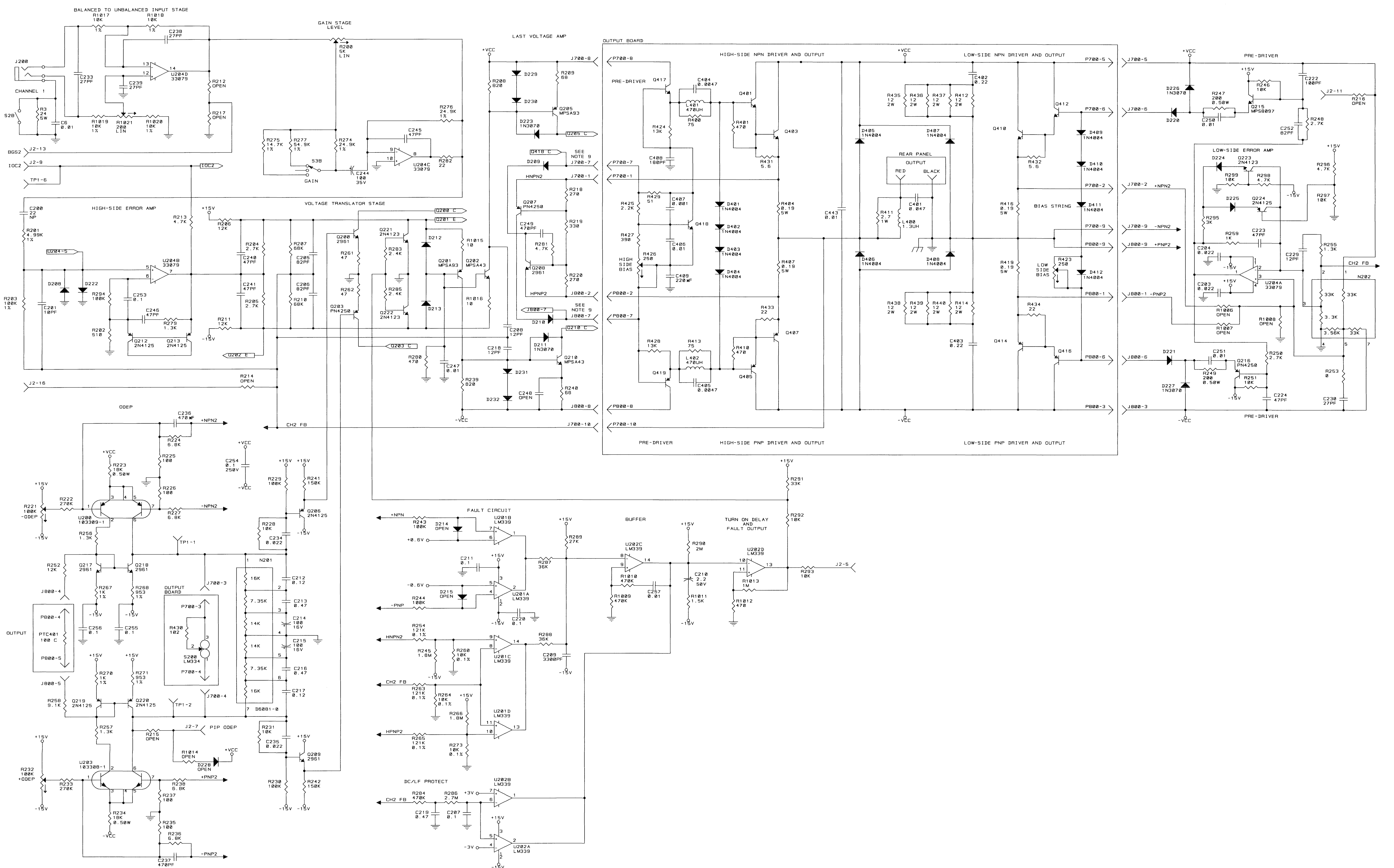


REVISION HISTORY				DATE	APPROVED
E.C.N.	ZONE	REV	DESCRIPTION		
EAT 95-282		A	ADD NOTE 12	11/28/95	LCD CM JM
EAT 95-183		B	C105, C106 WERE 47PF	05/28/95	LCD JY
BSN1035		C	U108, U208 WERE UPA75. U103, U203 WERE UPA75. NOTE 11. 043086-5 WAS 043089-7. CHANGED TO NEW TITLE BLOCK FORMAT.	01/11/98	JAW SUM DB LJB



UNCONTROLLED
 UNLESS OTHERWISE MARKED IN RED INK BY CM AS A CONTROLLED COPY, COPIES OF THESE DOCUMENTS INCLUDING ASSOCIATED ELECTRONIC REPRODUCTIONS ARE FOR REFERENCE ONLY.
 THESE DRAWINGS AND SPECIFICATIONS ARE THE PROPERTY OF CROWN INTERNATIONAL, INC. AND SHALL NOT BE REPRODUCED, COPIED, OR USED AS THE BASIS FOR THE MANUFACTURE OR SALE OF APPARATUS OR DEVICES WITHOUT PERMISSION.

DWN	LCD	05/11/95		1718 W. MISHAWAKA RD. ELKHART, IN. 46517 PHONE (219) 294-8888 WWW.CROWNINTL.COM
CHK	SUM	1-11-00		
G	PE	JM	TITLE	
FILENAME			SCH, PB1 & 460CSL	
TOLERANCE UNLESS OTHERWISE SPECIFIED			SIZE	DWG NO.
.00 - 1.02"			D	J0694-0
.000 - 1.018"			SCALE	PROJ. NO.
DRILLS - 1.003"			NONE	MD26458
DO NOT SCALE DRAWING			SHEET	1 OF 3



UNCONTROLLED		UNLESS OTHERWISE MARKED IN RED INK BY CM AS A CONTROLLED COPY, COPIES OF THESE DOCUMENTS INCLUDING ASSOCIATED ELECTRONIC REPRODUCTIONS ARE FOR REFERENCE ONLY.		THESE DRAWINGS AND SPECIFICATIONS ARE THE PROPERTY OF CROWN INTERNATIONAL, INC. AND SHALL NOT BE REPRODUCED, COPIED, OR USED AS THE BASIS FOR THE MANUFACTURE OR SALE OF APPARATUS OR DEVICES WITHOUT PERMISSION.		SIZE	DWG. NO.	REV.
D	J0694-0	SCALE	NONE	PROJ. NO.	MD26458	SHEET	2 OF 3	C

120V 60HZ

INTERNATIONAL

- NOTES :
1. ALL RESISTORS ARE IN OHMS, 1/4W, 5% UNLESS OTHERWISE SPECIFIED.
 2. ALL CAPACITORS ARE IN MICROFARADS UNLESS OTHERWISE SPECIFIED.
 3. VALUES SELECTED AS NEEDED FOR DIFFERENT OP AMP CHARACTERISTICS.
 4. CHANNEL 2 IS SHOWN ON SHEET 3. WHEN SHEET 3 IS NOT PRINTED, THEN FOR CHANNEL 2 ADD 100 TO REFERENCE DESIGNATORS. (EXAMPLE : CHANNEL 1 P101 WOULD BE CHANNEL 2 P201.) CONNECTOR AND IC PIN NUMBERS FOR CHANNEL 2 ARE SHOWN IN PARENTHESES WHEN THEY DIFFER FROM CHANNEL 1. EXCEPTIONS ARE CHAN 1 P2 CORRESPONDS TO CHAN 2 R3, CHAN 1 C5 CORRESPONDS TO CHAN 2 C6, CHAN 1 J500 CORRESPONDS TO CHAN 2 J700, AND CHAN 1 J800 CORRESPONDS TO CHAN 2 J900.
 5. ALL DIODES ARE 1N4148 UNLESS OTHERWISE SPECIFIED.
 6. ON J500 AND J700 THE STRIPED WIRE GOES TO PIN 10 OF THE BOARD AND THE PIN NUMBERS MOLDED ON THE CABLE SOCKET ARE REVERSED FROM THE PIN NUMBERS ON THE BOARD AND THE SCHEMATIC.
 7. POWER SUPPLY VOLTAGES SHOWN UNDER NO LOAD/NO SIGNAL CONDITIONS.
 8. CHANNEL 2 PRE-DRIVER BASES LOOP THROUGH STEREO-MONO SWITCH S100, SECTIONS E AND F.
 9. T1 INCLUDES AN INTERNAL THERMAL SWITCH.
 10. J2 IS LEFT EMPTY.
 11. THIS SCHEMATIC APPLIES TO AMPLIFIERS USING MAIN BOARD D7993-5 / MODULE Q43060-5 AND OUTPUT BOARD P10341-9 / MODULE Q43015-9 OR OUTPUT BOARD P10337-1 / MODULE Q43203-1.
 12. C148 IS 100PF AND C248 IS OPEN.

