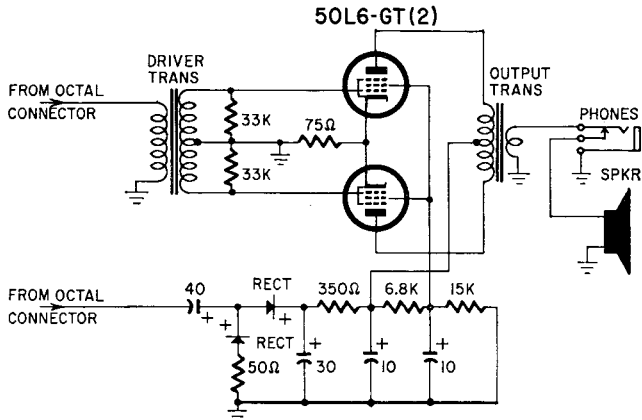


under heavy current flow.—*W. G. Eslick*

CRESTWOOD CP-201 TAPE RECORDER

Complaint: Intermittent and noisy sound on playback. The intermittent condition was more noticeable when the recorder was played back using low volume settings, and at times the sound would become very noisy.



Cure: A scope check was made on the power amplifier chassis, and the trouble was isolated to a intermittent connection in the center tap of the driver transformer. Replacing this transformer cured the trouble.—*George P. Oberto*

ZENITH 16C20-U

Poor vertical linearity was the complaint. A defective