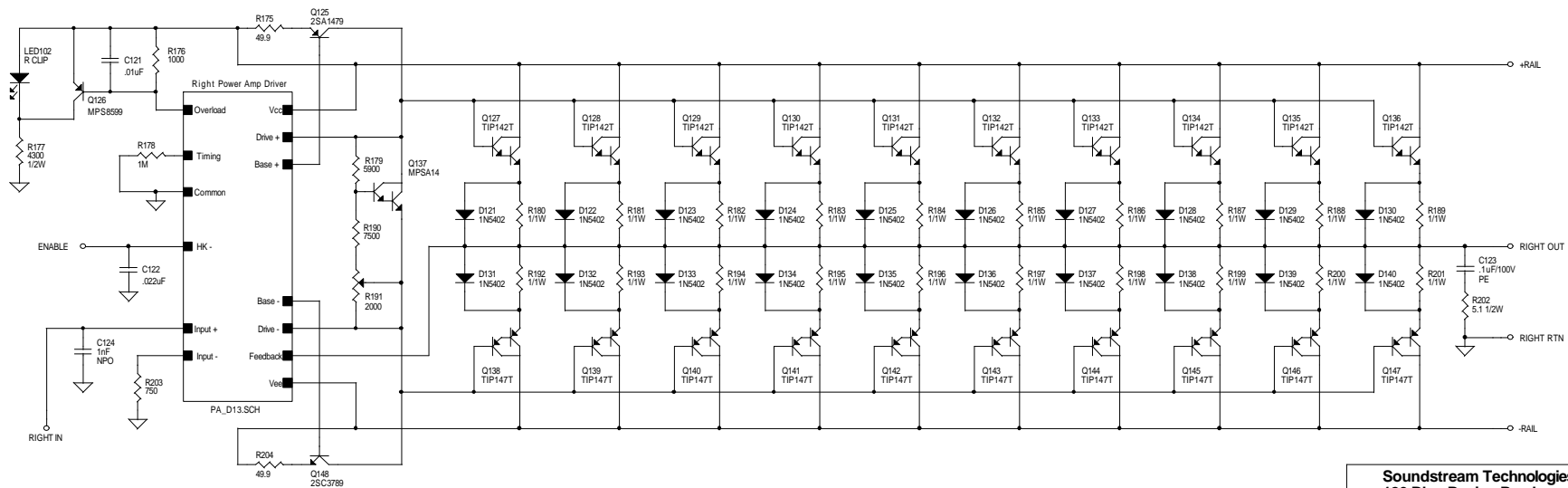
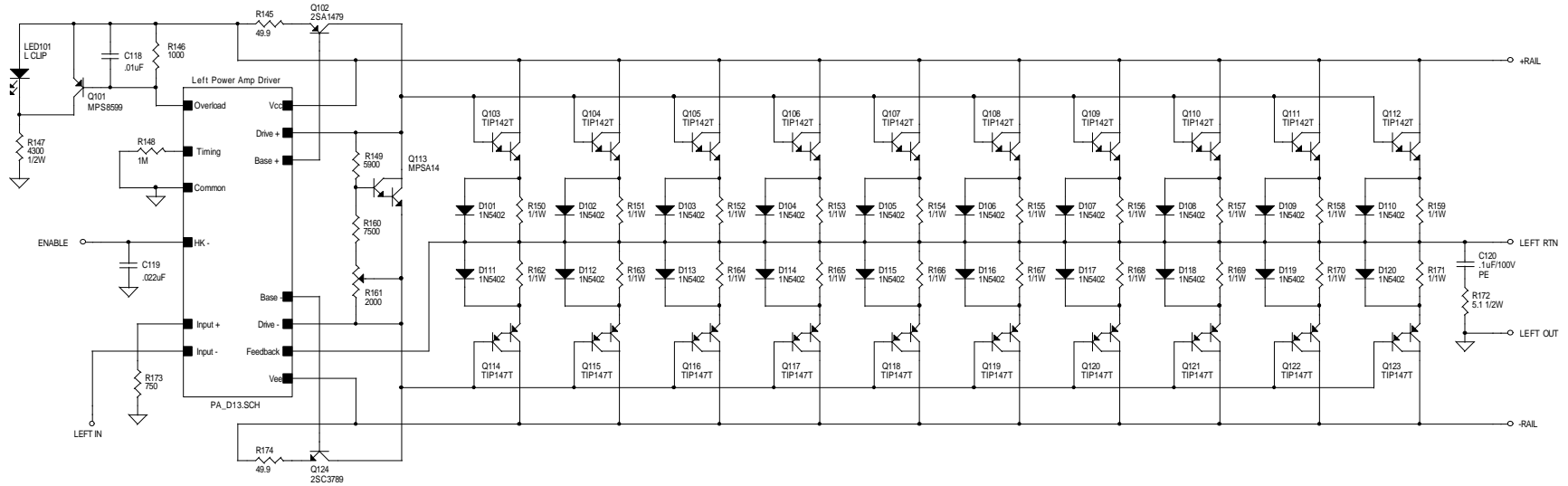
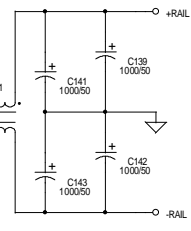
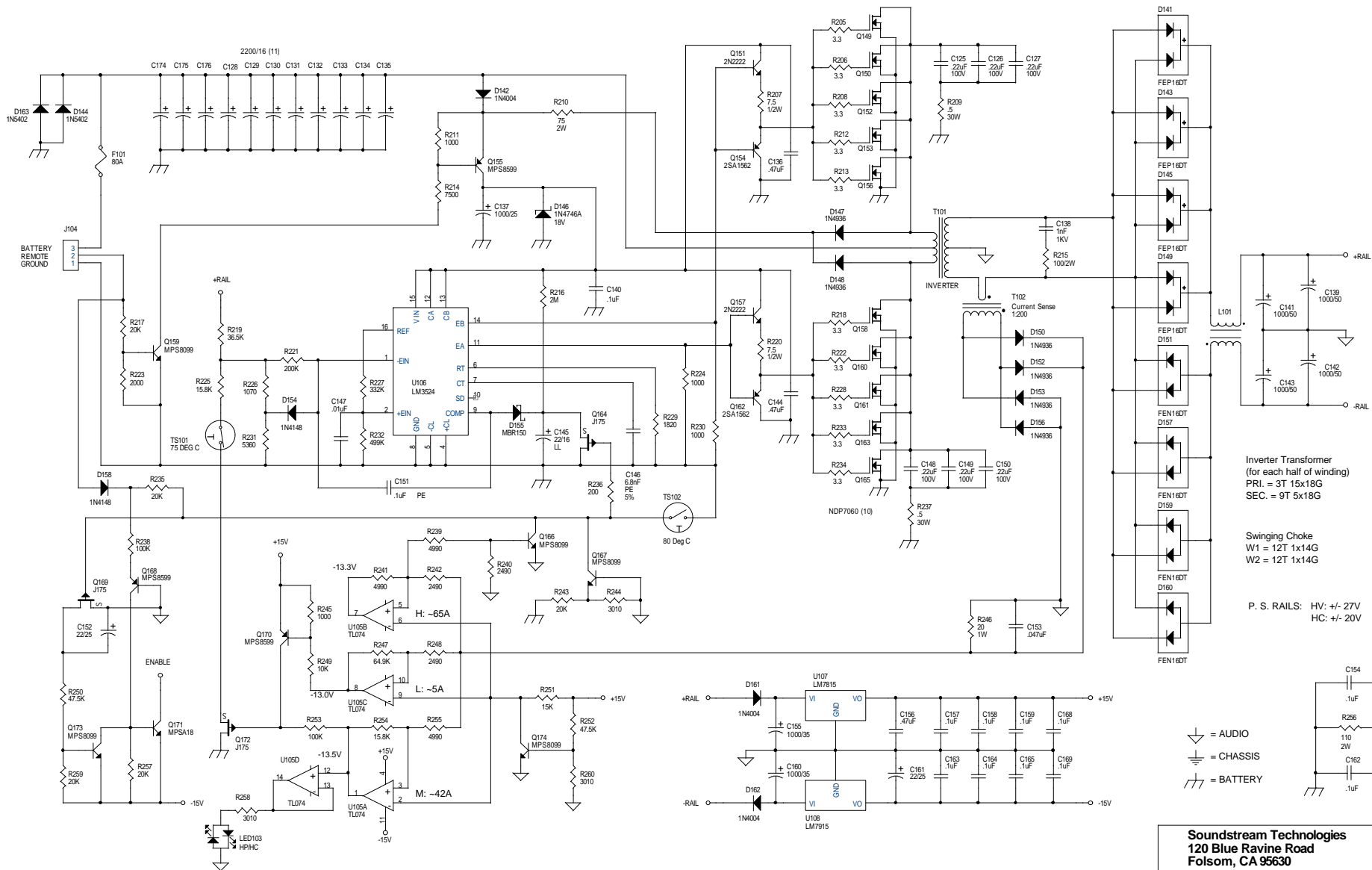


S/N:  
 100.6 dB - T  
 112.1 dB - M  
 114.0 dB - B

<b>Soundstream Technologies</b> 120 Blue Ravine Road Folsom, CA 95630		
Title Class A 10.2 Preamp		
Size Custom	Document Number 7400-0009-03	Rev
Date Thursday, February 12, 1998	Sheet 1	of 3



<b>Soundstream Technologies</b>		
<b>120 Blue Ravine Road</b>		
<b>Folsom, CA 95630</b>		
Title		
Class A 10.2 Power Amplifiers		
Size	Document Number	Rev
Custom	7400-0009-03	
Date: <b>Tuesday, December 01, 1998</b>	Sheet	2 of 3

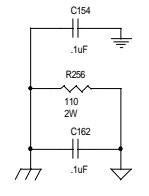


Inverter Transformer  
(for each half of winding)  
PRI. = 3T 15x18G  
SEC. = 9T 5x18G

Swinging Choke  
W1 = 12T 1x14G  
W2 = 12T 1x14G

P. S. RAILS: HV: +/- 27V  
HC: +/- 20V

- = AUDIO
- = CHASSIS
- = BATTERY



**Soundstream Technologies**  
120 Blue Ravine Road  
Folsom, CA 95630

Title Class A 10.2 Power Supply		
Size Custom	Document Number 7400-0009-03	Rev
Date: Thursday, February 12, 1998	Sheet 3	of 3

