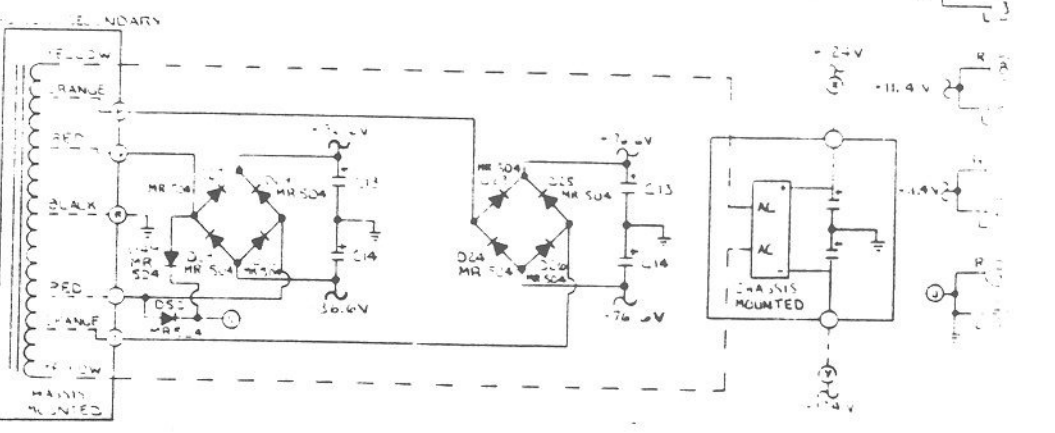
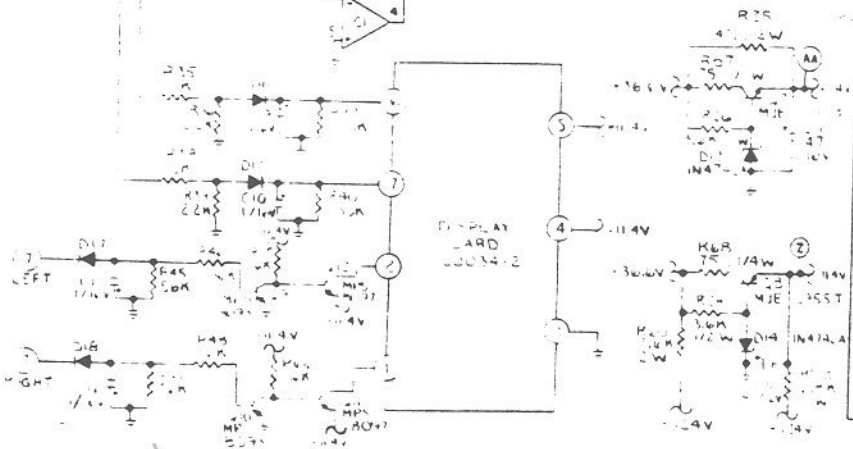
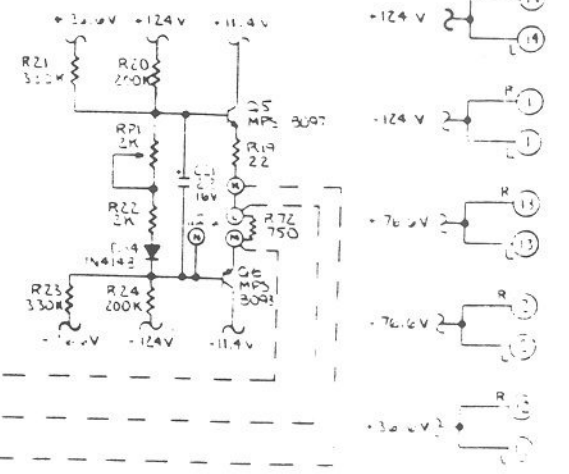
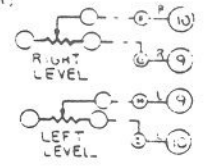


CARVER CORPORATION	
PROJECT NO. 601-00127-01	REV. PWR SUPPLY PMIS 0V
	24H PWR REGULATOR PMIS 110V
DATE: 10/15/73	BY: J. R. ...
REVISED AND REDRAWN 7/1/75 (PMI)	

- NOTES: UNLESS OTHERWISE SPECIFIED:
1. ALL RESISTORS ARE 1/4 W.
  2. ALL DIODES ARE IN4148.
  3. ALL CAPACITANCE IS IN UF.
  4. C3 AND C4 ARE DUAL 220UF, 50/80V CAPS.
  5. IC1 IS A 9130.

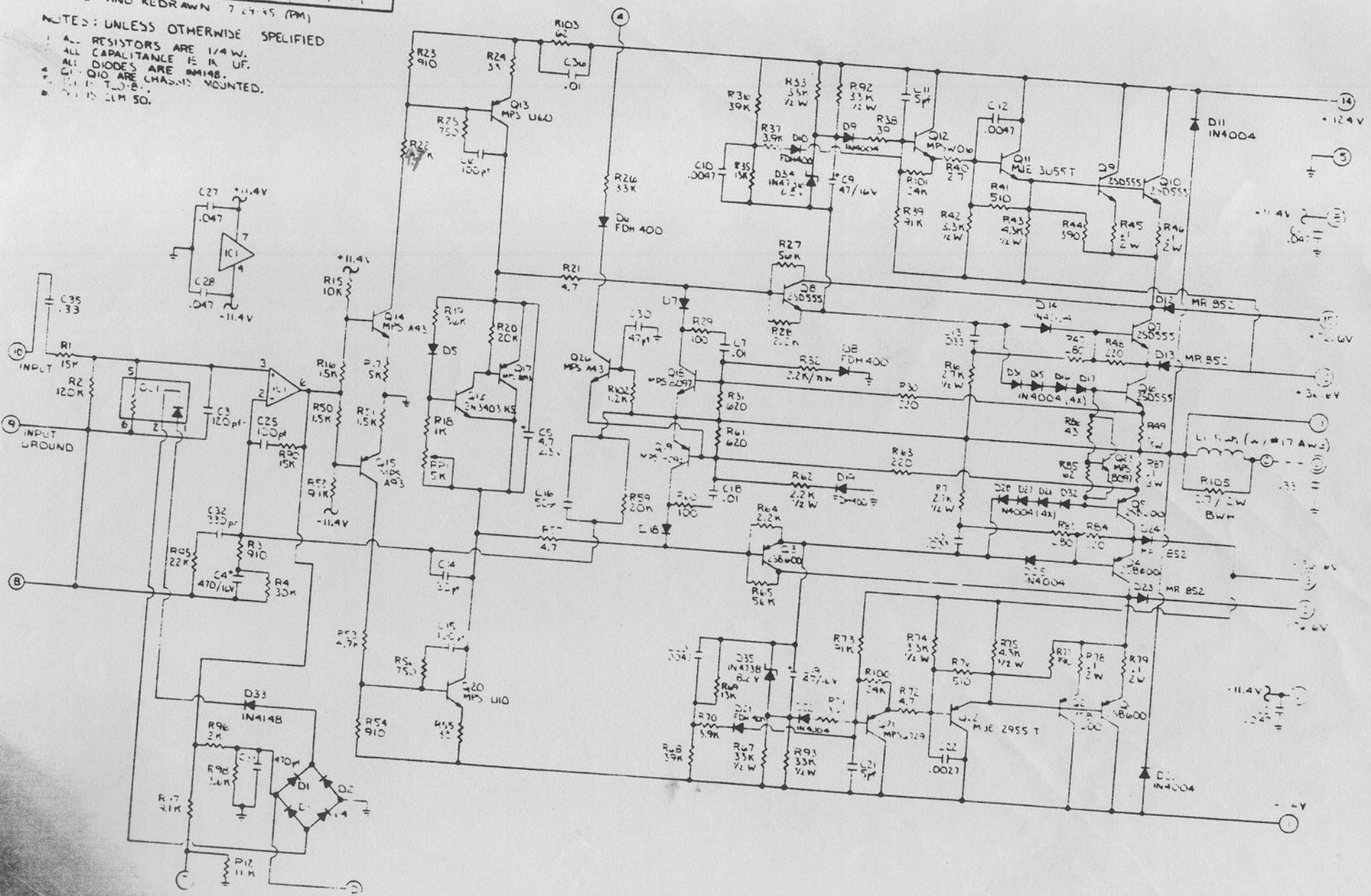


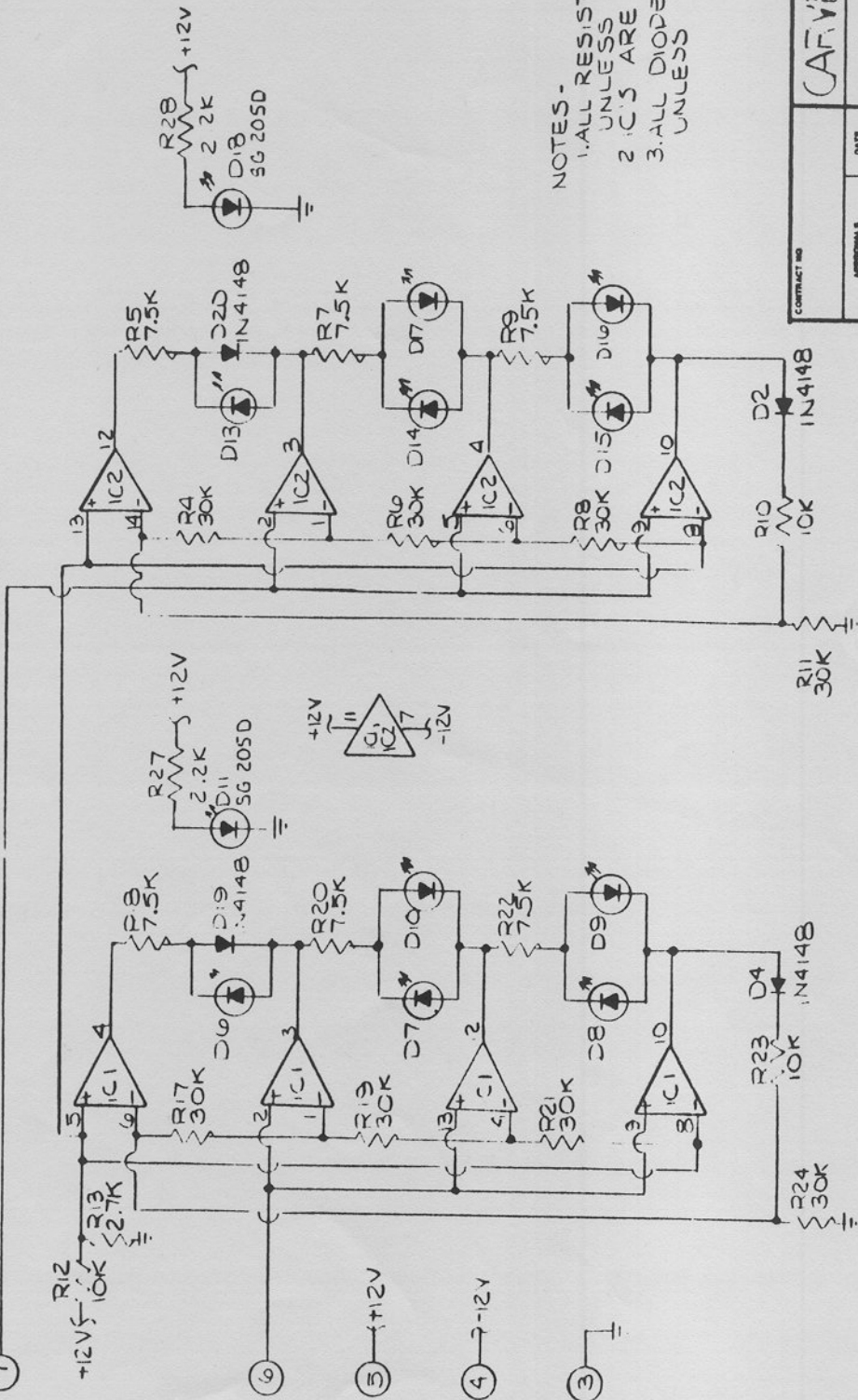
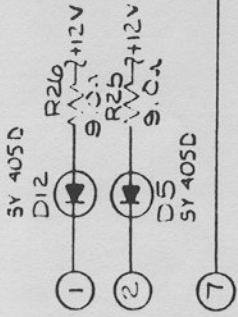
CARVER CORPORATION	
SCHEMATIC, P.B. AMP	
PM1.5 110V REV J	
REV	DATE
C	
601-00126-01	
MATERIALS LIST	
NONE	

REVISED AND REDRAWN 7-29-65 (PM)

NOTES: UNLESS OTHERWISE SPECIFIED

- 1. ALL RESISTORS ARE 1/4 W.
- 2. ALL CAPACITANCE IS IN UF.
- 3. ALL DIODES ARE 1N4148.
- 4. ALL Q10 ARE CHASSIS MOUNTED.
- 5. ALL P.T.O.B.
- 6. ALL IS 1LM 50.



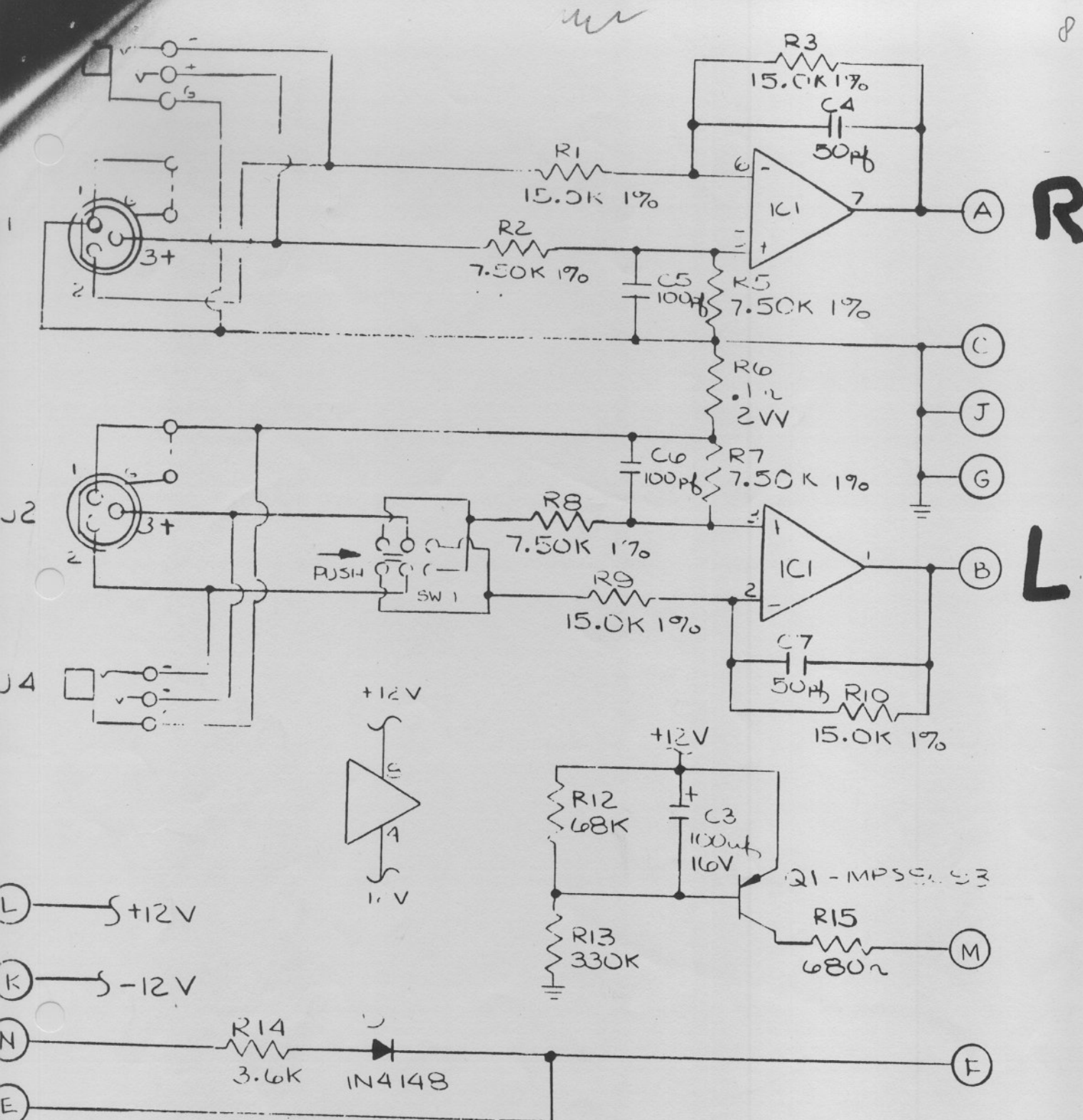


NOTES -  
 1. ALL RESISTORS ARE 1/4 WATT UNLESS NOTED.  
 2. IC'S ARE 4136 UNLESS NOTED.  
 3. ALL DIODES ARE SR505W UNLESS NOTED.

CONTRACT NO.		DATE	
APPROVALS		DATE	
DESIGNED BY ME LENO		1-18-83	
CHECKED BY H. H. L. T.		1-17-83	
SCALE		FSCM NO.	
B		601-00128-C	
SCALE		SHEET 1 OF 1	
7-1-83		P	

CARVEL CORPORATION  
 PM 1.5 DISPLAY

601-00128-01



NOTES:

1. IC1 IS A TLO 72
2. UNLESS OTHERWISE NOTED - ALL RESISTORS ARE 1/4W.

CARVER CORPORATION		
PM-1.5 INPUT BOARD		
M. LIENO	11-83	
REV A		

601 00132-01