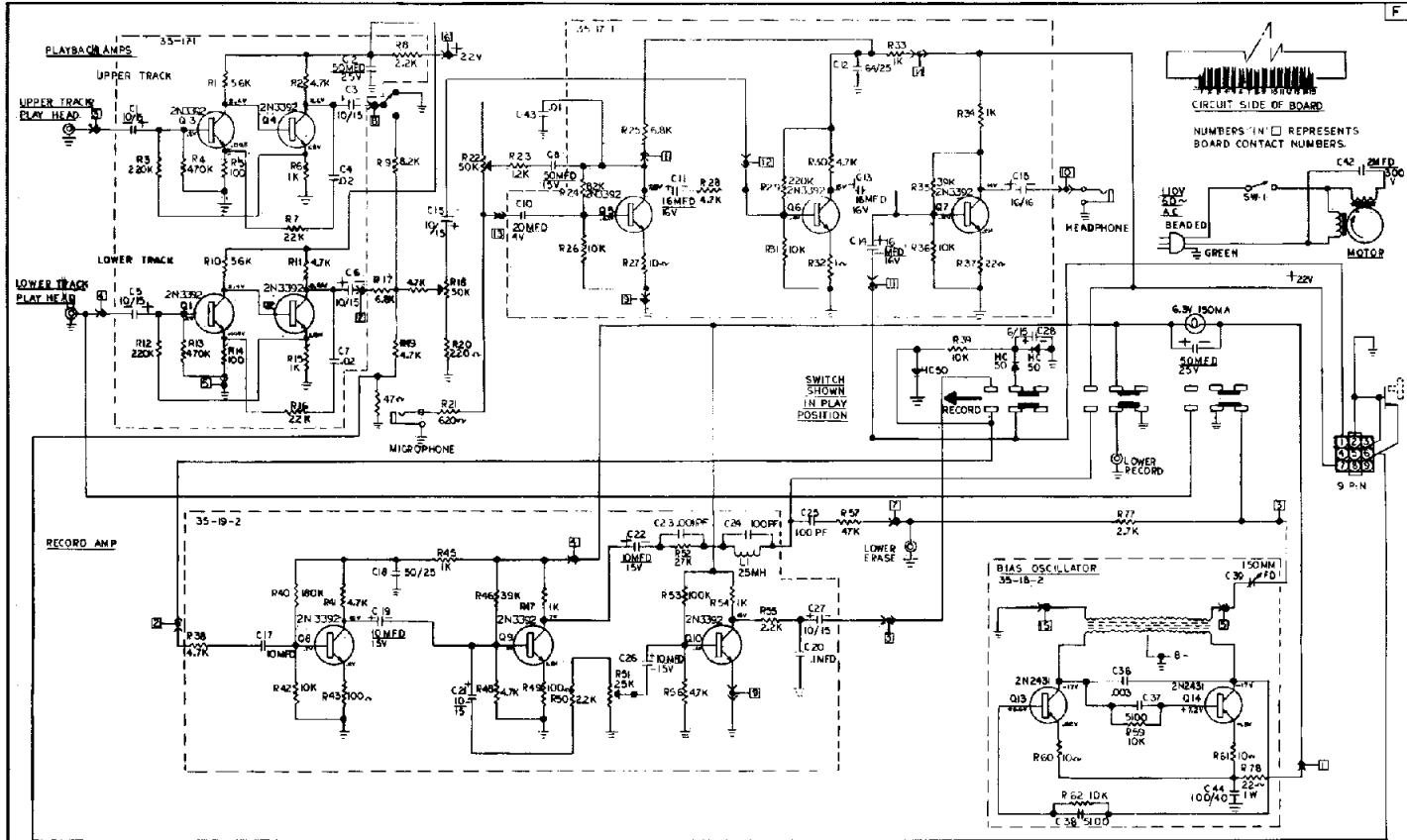
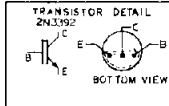




MODEL LP-901T

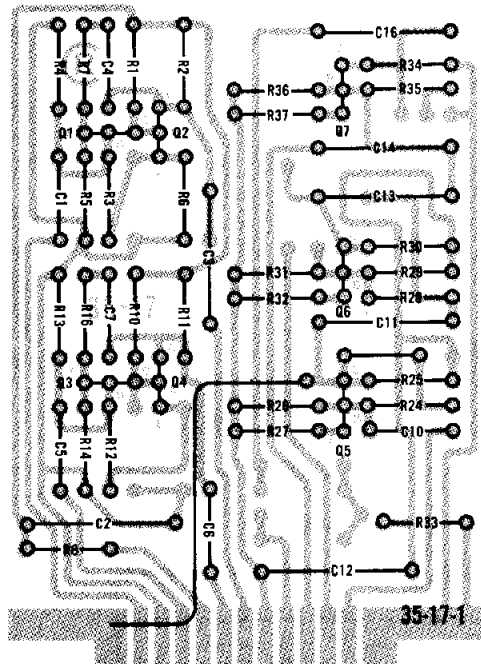


NOTE: ALL CAPACITORS IN MICROFARADS UNLESS SPECIFIED.
ALL RESISTORS 1/2 WATT.
ALL READINGS MADE WITH 20,000VOLT METER.



MODEL LP-901T SCHEMATIC
RHEEM CALIFONE

LL43



Voltage Chart LP-901 T			
Q No.	E	C	B
Q1	.005V	2.4V	2V
Q2	1.8	4.6	2.4
Q3	.005	2.4	.2V
Q4	1.8	4.6	2.4
Q5	---	7.8V	.62V
Q6	---	15V	.6V
Q7	.2V	14V	.8V
Q8	.2V	10V	.7V
Q9	1.6	7V	2V
Q10	---	15V	.6V
Q13	.62V	-17V	6.6V
Q14	-.5V	-17V	7.2V

