

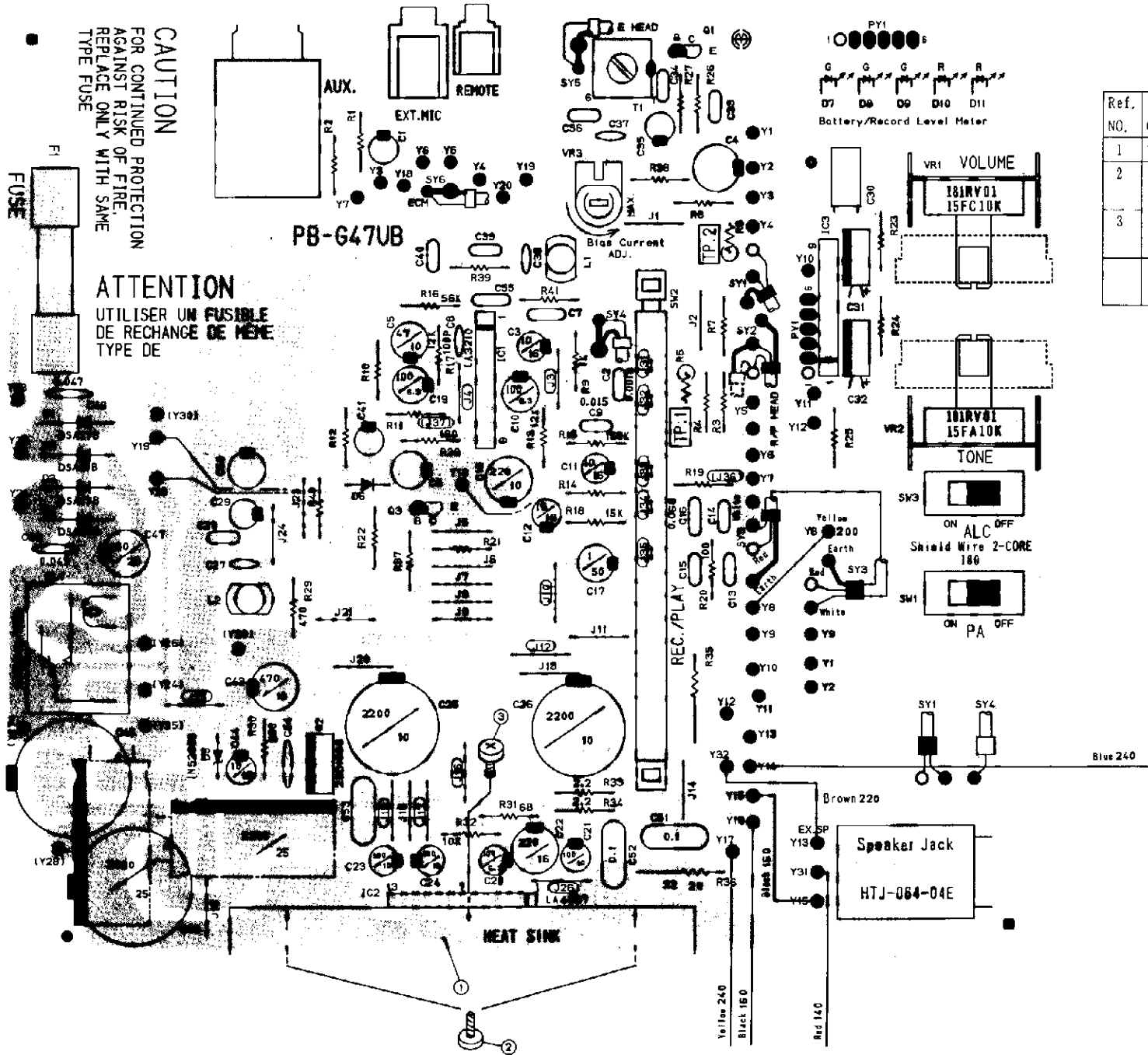
# CALIFONE



**MODELS 5250C & 5270C  
CASSETTE PLAYER & RECORDER**

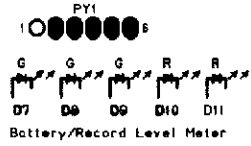
# SERVICE MANUAL

# MAIN P.C. BOARD COMPONENT SIDE LAYOUT



**CAUTION**  
FOR CONTINUED PROTECTION  
AGAINST RISK OF FIRE,  
REPLACE ONLY WITH SAME  
TYPE FUSE

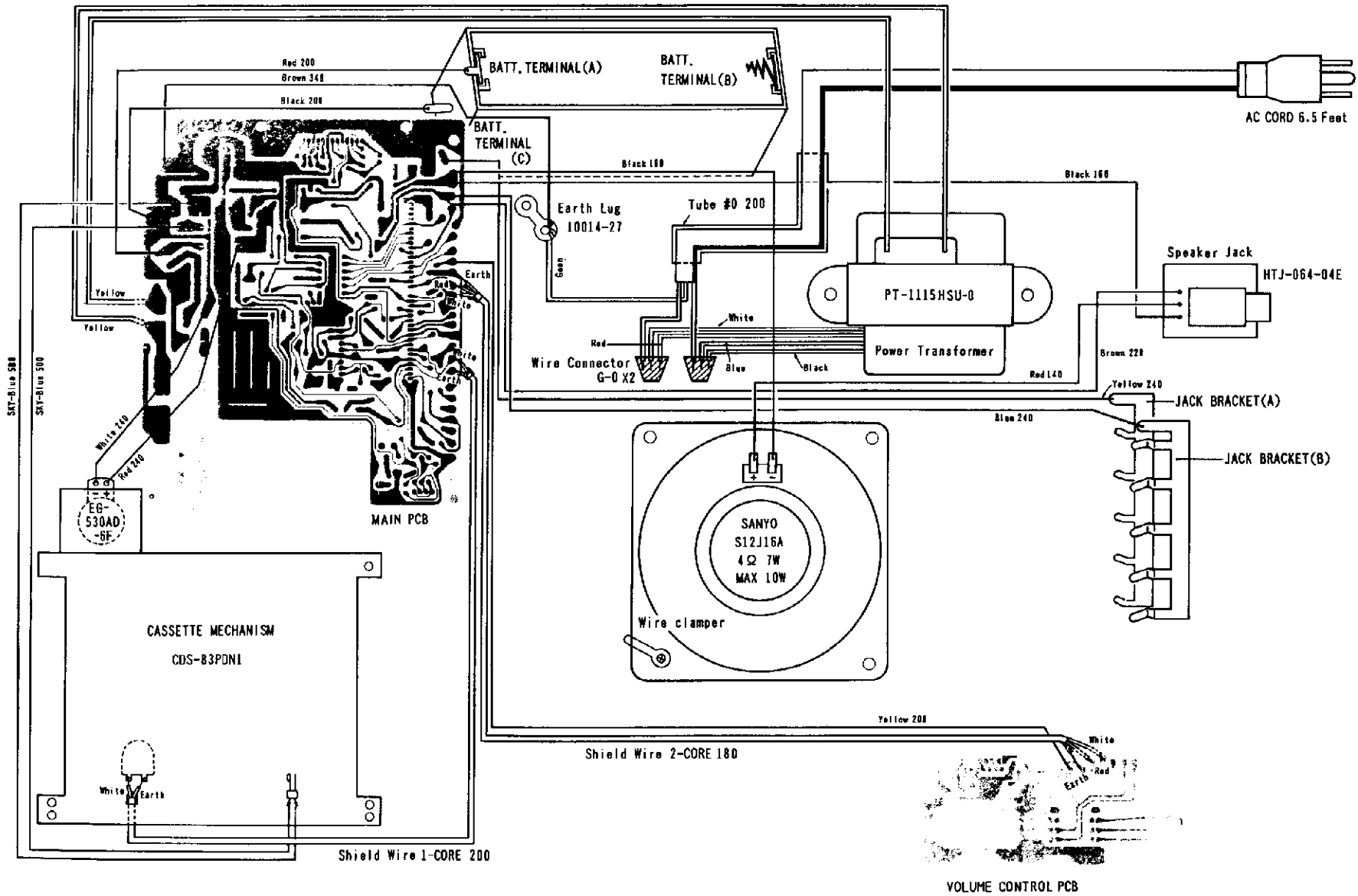
**ATTENTION**  
UTILISER UN FUSIBLE  
DE RECHANGE DE MEME  
TYPE DE



Ref. NO.	Code NO.	Description of parts	Q'ty
1	74759A	HEAT SINK	1
2		Screw Bind Head M3x10	2
3		Tapping Screw Brazer Head B3x8	1

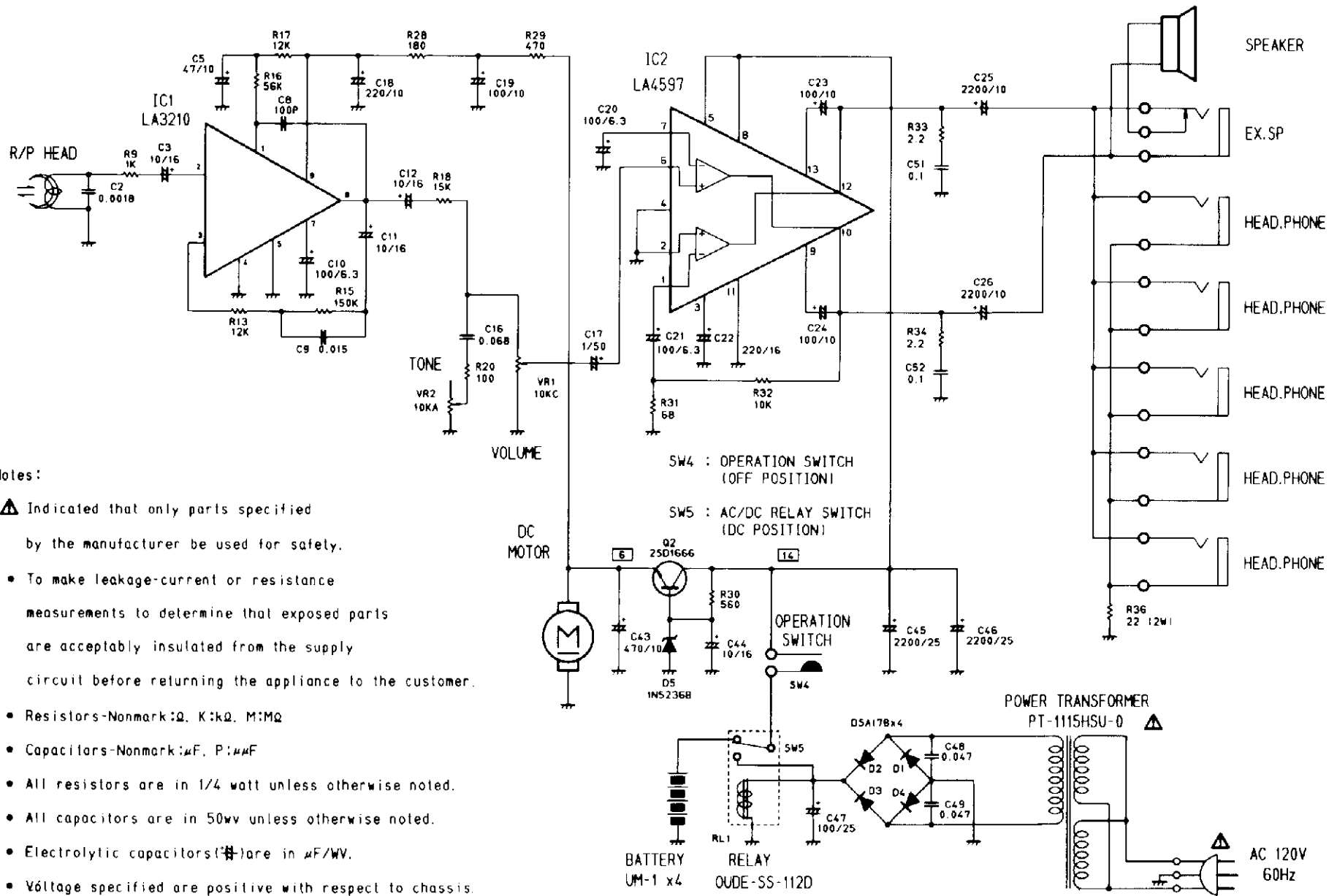
**MODEL 5250C**

# WIRING DIAGRAM



MODEL 5250C

# SCHEMATIC DIAGRAM

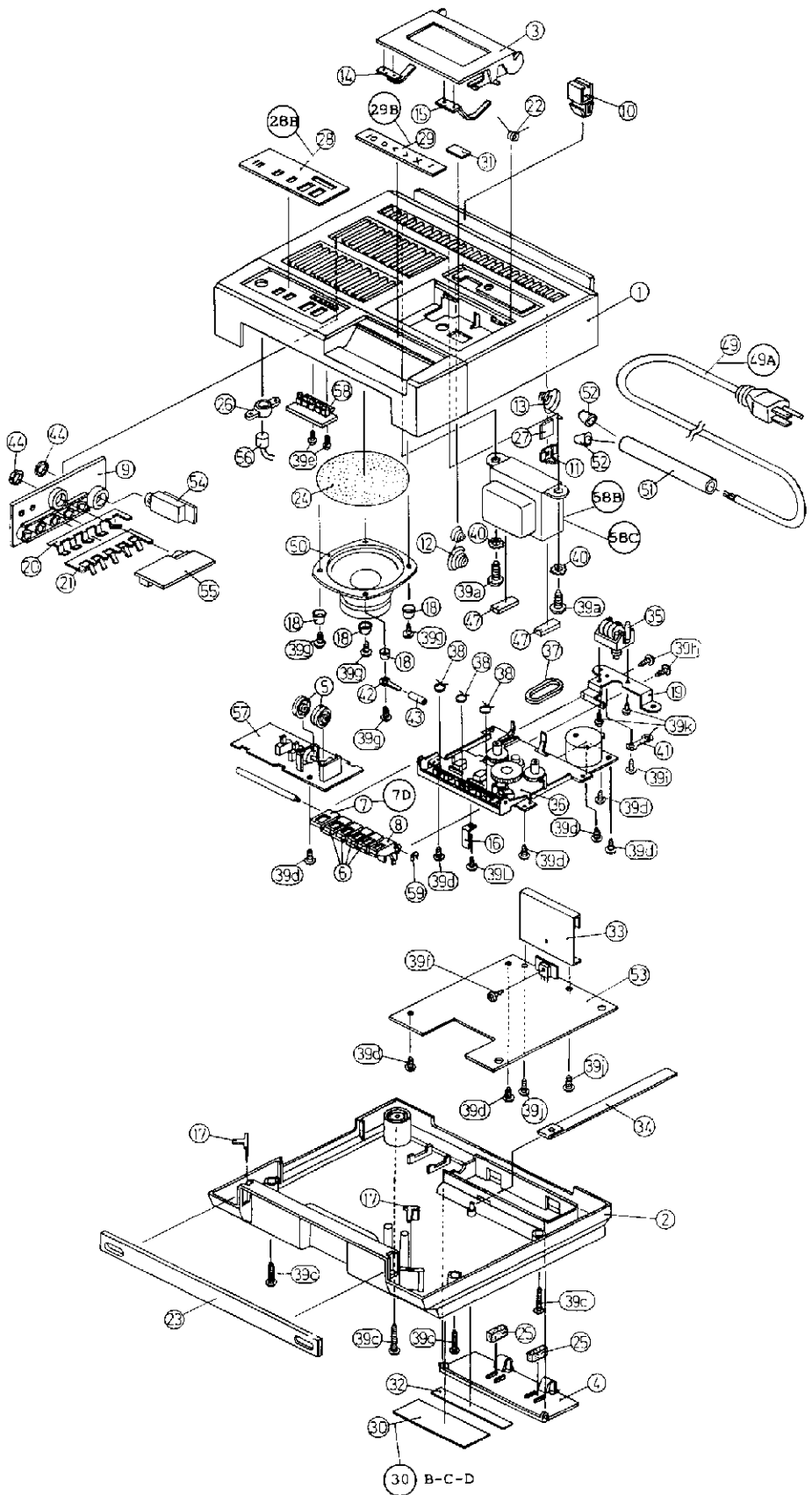


**Notes:**

- ▲ Indicated that only parts specified by the manufacturer be used for safety.
- To make leakage-current or resistance measurements to determine that exposed parts are acceptably insulated from the supply circuit before returning the appliance to the customer.
- Resistors-Nonmark:Ω, K:kΩ, M:MΩ
- Capacitors-Nonmark:μF, P:μμF
- All resistors are in 1/4 watt unless otherwise noted.
- All capacitors are in 50wv unless otherwise noted.
- Electrolytic capacitors(⊖)are in μF/WV.
- Voltage specified are positive with respect to chassis.

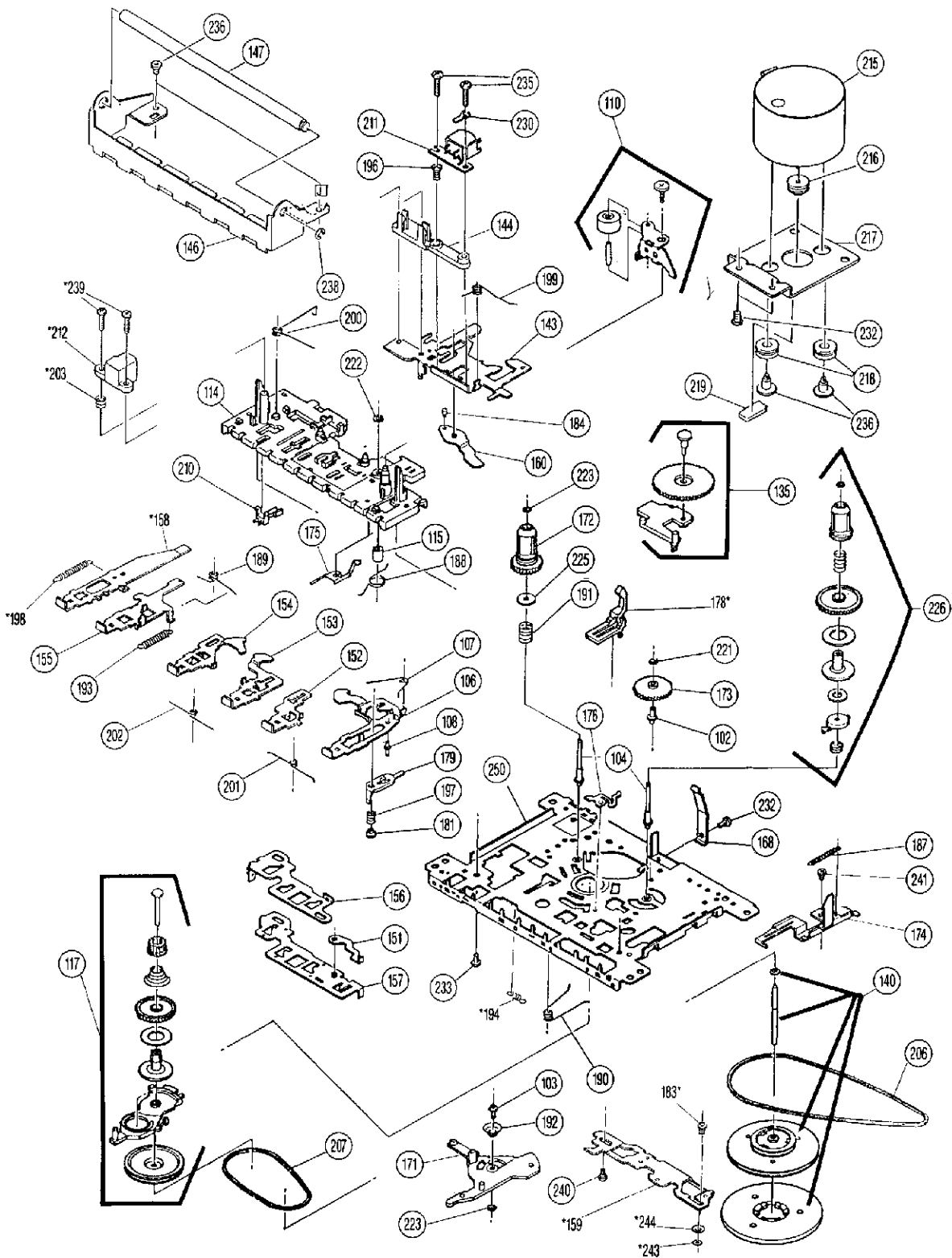
## MODEL 5250C

# EXPLODED CASE



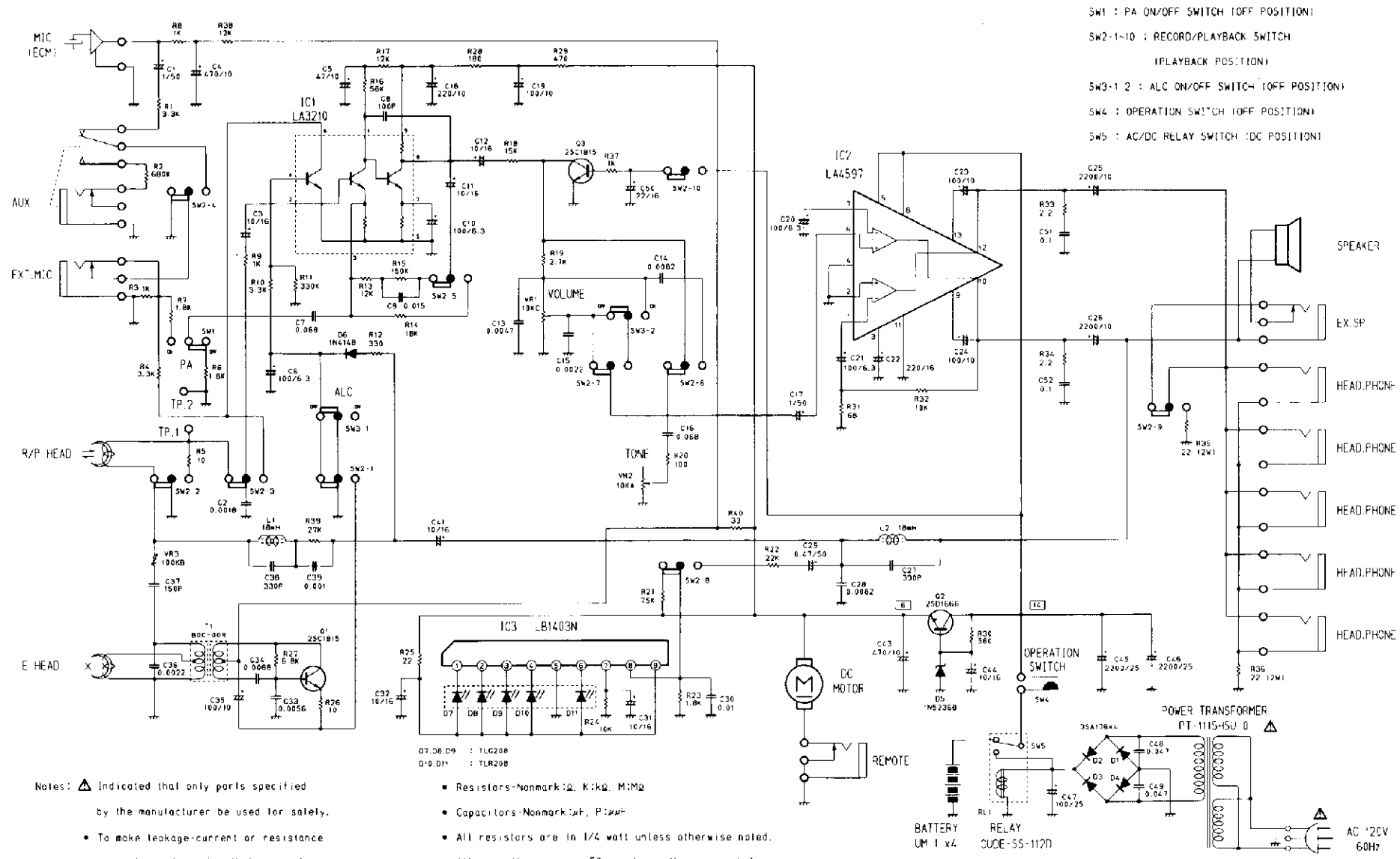
**MODELS 5250C & 5270C**

# EXPLODED TRANSPORT



NOTE: NUMBERS NOT CIRCLED AND WITH AN ASTERISK APPLY ONLY TO THE RECORDER (5270C)

# SCHEMATIC DIAGRAM



- SW1 : PA ON/OFF SWITCH (OFF POSITION)
- SW2-1-10 : RECORD/PLAYBACK SWITCH (PLAYBACK POSITION)
- SW3-1-2 : ALC ON/OFF SWITCH (OFF POSITION)
- SW4 : OPERATION SWITCH (OFF POSITION)
- SW5 : AC/DC RELAY SWITCH (DC POSITION)

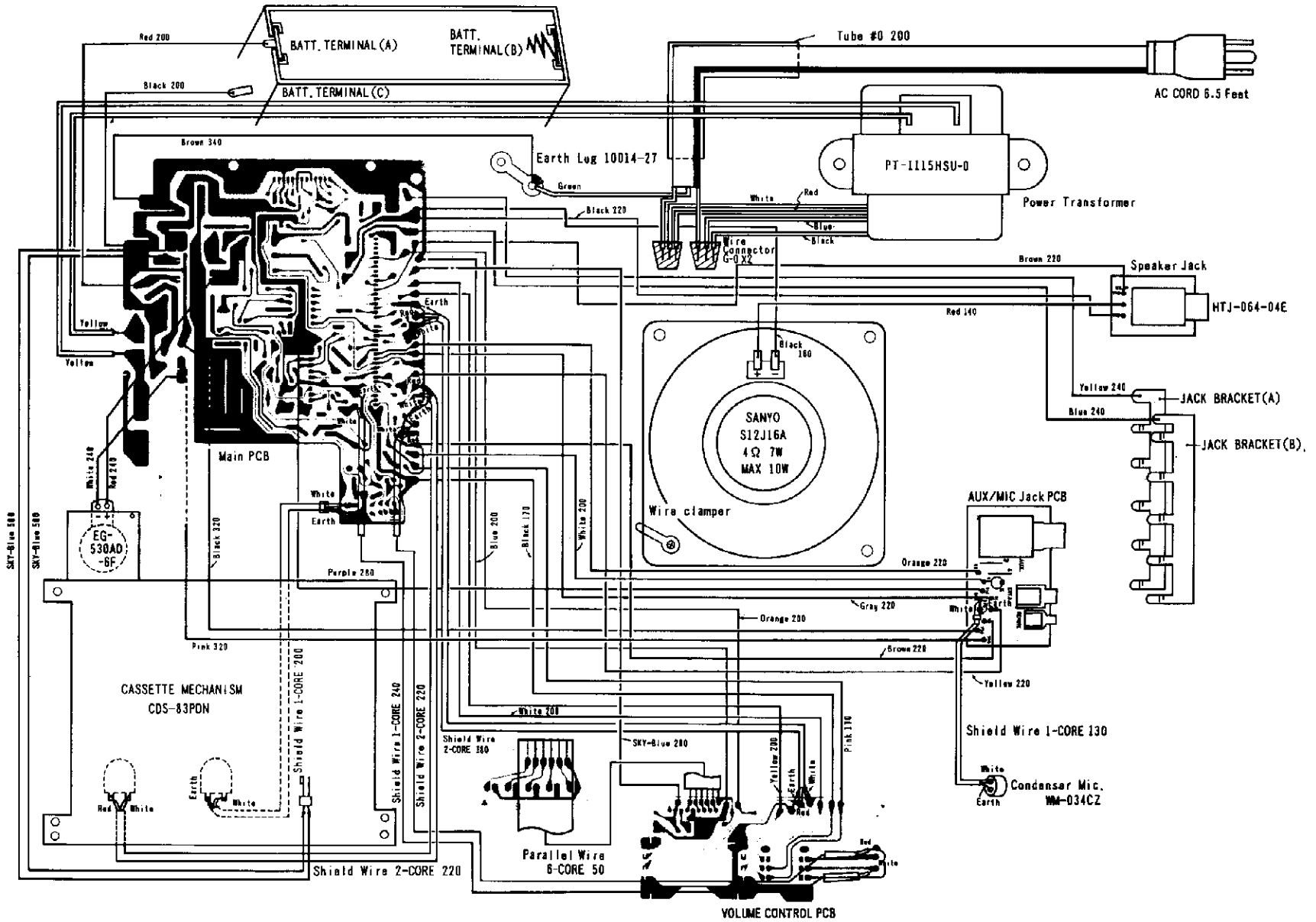
D7, D8, D9 : 1LG208  
 D10, D11 : TLR208

Notes: Indicated that only parts specified by the manufacturer be used for safety.

- To make leakage-current or resistance measurements to determine that exposed parts are acceptably insulated from the supply circuit before returning the appliance to the customer.

- Resistors-Nonmark: Ω, K:KΩ, M:MΩ
- Capacitors-Nonmark: μF, P:pμF
- All resistors are in 1/4 watt unless otherwise noted.
- All capacitors are in 50V unless otherwise noted.
- Electrolytic capacitors are in μF/WV.
- Voltage specified are positive with respect to chassis

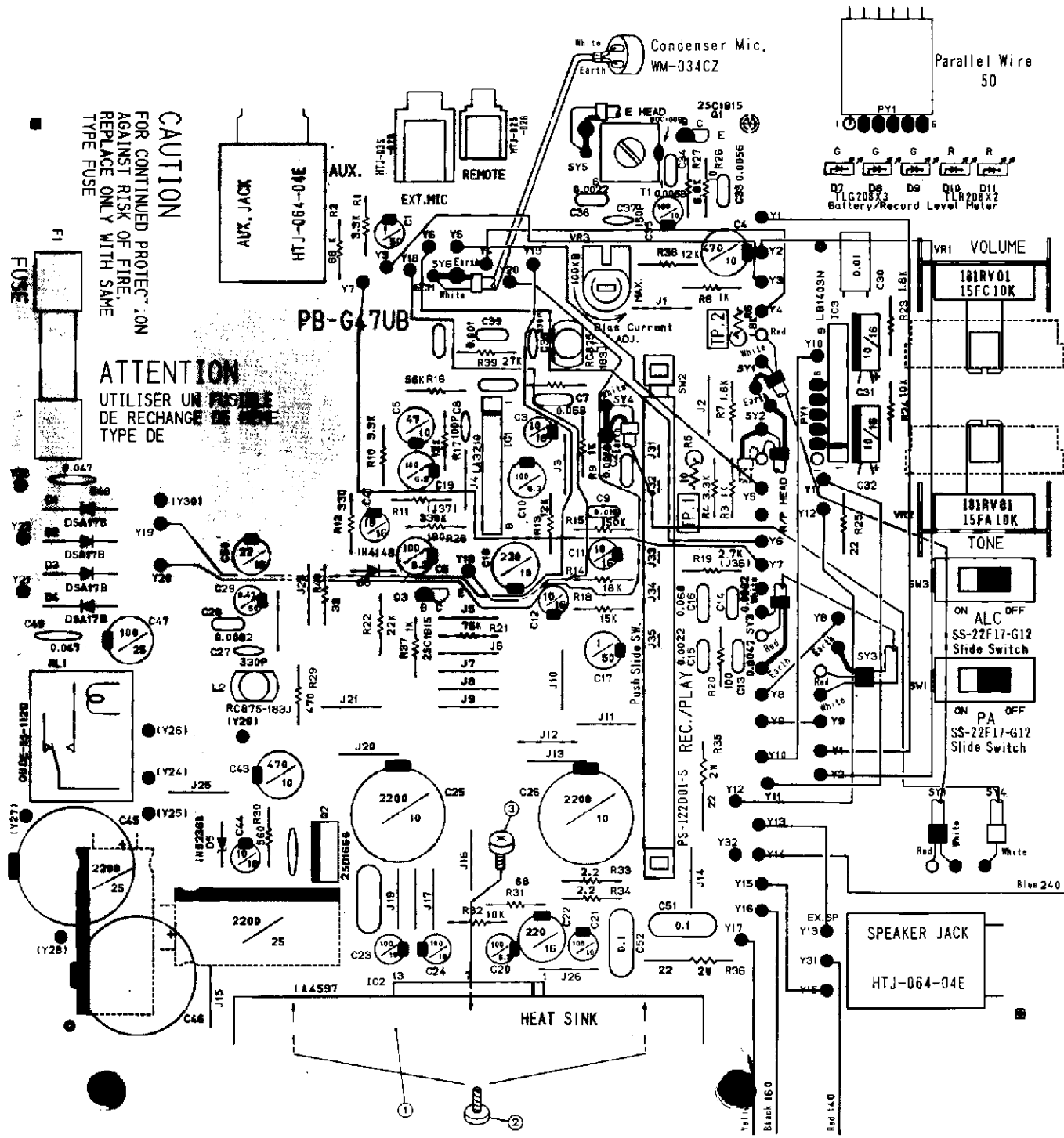
# WIRING DIAGRAM



MODEL 5270C



# MAIN P.C. BOARD COMPONENT SIDE LAYOUT



Symbol	NO.	Description of parts	Q'ty
Y1	Wire Black	170	1
Y2	Wire Pink	170	1
Y3	Wire White	200	1
Y4	Wire Brown	220	1
Y5	Wire Yellow	220	1
Y6	Wire Gray	220	1
Y7	Wire Orange	220	1
Y8	Wire Yellow	200	1
Y9	Wire White	200	1
Y10	Wire Sky-blue	200	1
Y11	Wire Blue	200	1
Y12	Wire Orange	200	1
Y13	Wire Brown	220	1
Y14	Wire Blue	240	1
Y15	Wire Black	220	1
Y16	Wire Black	160	1
Y17	Wire Yellow	240	1
Y18	Wire Purple	280	1
Y19	Wire Pink	320	1
Y20	Wire Black	320	1
PY1	Parallel Wire	6-CORE 50	1
SY1	Shield Wire	2-CORE 200	1
SY3	Shield Wire	2-CORE 180	1
SY4	Shield Wire	1-CORE 240	1
SY6	Shield Wire	1-CORE 130	1

Ref. NO.	Code NO.	Description of parts	Q'ty
1	74759A	HEAT SINK	1
2		Screw Bind Head M3x10	2
3		Tapping Screw Brazoir Head B3x8	1

**MODEL 5270C**

## CASE & ELECTRICAL PARTS

PART #	DESCRIPTION	PART #	DESCRIPTION
600.5700.001	TOP CABINET	600.5700.053	MAIN PCB (PB-G47UB-1)
600.5700.002	BOTTOM CABINET	600.5700.054	EXT. SPEAKER JACK
600.5700.003	CASSETTE DOOR	600.5700.055	AUX/MIC JACK PCB
600.5700.004	BATTERY COVER	600.5700.056	CONDENSER MIC.
600.5700.005	VOL/TONE KNOBS	600.5700.057	VOLUME CONTROL PCB
600.5700.006	KEY-PLAY, CUE, REV, EJECT	600.5700.058	L.E.D. METER PCB
600.5700.007	KEY-RECORD	600.5700.059	E-RING, KEY SHAFT 03
600.5700.008	KEY-PAUSE	600.5700.060	DIODE DSA17B ..... 5250C/5270C
600.5700.009	JACK HOLDER (A)	600.5700.061	Z. DIODE IN5236B ..... 5250C/5270C
600.5700.010	CORD RETAINER	600.5700.062	POWER IC LA4597 ..... 5250C/5270C
600.5700.011	BATT. TERMINAL (A)	600.5700.063	TRANS. 2SD1666 ..... 5250C/5270C
600.5700.012	BATT. TERMINAL (B)	600.5700.064	R'LY OUDESS112D ..... 5250C/5270C
600.5700.013	BATT. TERMINAL (C)	600.5700.065	VOL. RES. 10K ..... 5250C/5270C
600.5700.014	CASS. SPRING (L)	600.5700.066	TONE RES. 10K ..... 5250C/5270C
600.5700.015	CASS. SPRING (R)	600.5700.067	INDUCTOR 18mH
600.5700.016	REC. PLATE	600.5700.068	DIODE IN4148
600.5700.017	HANDLE BRACKET	600.5700.069	L.E.D. GREEN
600.5700.018	SPEAKER BRACKET	600.5700.070	L.E.D. RED
600.5700.019	COUNTER BRACKET	600.5700.071	LEVEL METER IC LB1403N
600.5700.020	JACK BRACKET (A)	600.5700.072	P.A./A.L.C. SWITCH
600.5700.021	JACK BRACKET (B)	600.5700.073	REC/PLAY SWITCH
600.5700.022	CASS. DOOR SPRING EJECT	600.5700.074	OSC. COIL
600.5700.023	HANDLE	600.5700.075	SEMI-FIXED RESISTOR 100K
600.5700.024	SPEAKER CUSHION	600.5700.076	EXT. MIC. JACK
600.5700.025	BATT. CUSHION	600.5700.077	REMOTE MIC JACK
600.5700.026	COND. MIC HOLDER, RUBBER	600.5700.07D	KEY-PLAY ..... 5250C
600.5700.027	BATT. FIBER	600.5700.09B	JACK HOLDER ..... 5250C
600.5700.028	CONTROL PANEL ..... 5270C	600.5700.28B	CONTROL PANEL ..... 5250C
600.5700.029	FUNCTION PANEL ..... 5270C	600.5700.29B	FUNCTION PANEL ..... 5250C
600.5700.030	RATING LABEL ..... 5270C	600.5700.30B	RATING LABEL ..... 5250C
600.5700.031	REFLECTION PLATE	600.5700.30C	RATING LABEL U.L. .... 5250C
600.5700.032	WARNING PLATE	600.5700.30D	RATING LABEL U.L. .... 5270C
600.5700.033	HEAT SINK	600.5700.36B	CASS. MECHANISM ..... 5250C
600.5700.034	BATTERY RIBBON	600.5700.39A	TRANSFORMER SCREW ..... P4 x 12
600.5700.035	COUNTER	600.5700.39C	CASE BOTTOM SCREW ..... P3 x 20
600.5700.036	CASS. MECHANISM ..... 5270C	600.5700.39D	DECK/PCB MTG SCREW ..... P3 x 10
600.5700.037	COUNTER BELT 0.8 x 40.3	600.5700.39E	LED BOARD SCREW ..... P3 x 6
600.5700.038	KEY LEVER SPRING	600.5700.39F	TRANSISTOR SCREW ..... B3 x 8
600.5700.040	TOOTH WASHER 405-2	600.5700.39G	SPEAKER SCREW ..... P2.6 x 4
600.5700.041	GROUND LUG 10014-27	600.5700.39H	COUNTER BKT. SCREW ..... S2 x 4
600.5700.042	WIRE CLAMPER W/TUBE	600.5700.39I	GROUND SCREW ..... C3 x 6
600.5700.043	TUBE NO. 6 45mm	600.5700.39J	HEAT SINK SCREW ..... M3 x 10
600.5700.044	HEADPHONE NUT M12	600.5700.39K	COUNTER SCREW ..... M3 x 5
600.5700.047	XFMR CUSHION T4 x 10 x 20	600.5700.39L	REC. PLATE SCREW ..... M2 x 3
600.5700.049	A.C. CORD C-650 C.S.A.	600.5700.49A	A.C. CORD U-650 U.L.
600.5700.050	SPEAKER 4 ohm 5"	600.5700.57B	VOL. CONTROL PCB ..... 5250C
600.5700.051	AC CORD TUBE #0 200mm	600.5700.58B	POWER TRANSFORMER C.S.A.
600.5700.052	WIRE CONNECTOR G-0	600.5700.58C	POWER TRANSFORMER U.L.

## TRANSPORT PARTS

600.5700.102	F.F. GEAR SHAFT	600.5700.191	REW BT. SPG. SPINDLE
600.5700.110	PINCH ROLLER ASSY	600.5700.193	PLAY LEVER SPRING
600.5700.114	PUSH BUTTON CASE CR	600.5700.196	AZIMUTH SPRING
600.5700.117	CLUTCH ASSEMBLY	600.5700.198	REC. LEVER SPRING
600.5700.135	PLAY ARM GEAR	600.5700.199	PINCH ROLLER ARM SPRING
600.5700.140	FLYWHEEL	600.5700.200	HEAD BASE SPRING CR
600.5700.144	HEAD FOOT (B)	600.5700.201	BUTTON LEVER SPRING (A)
600.5700.151	EJECT ARM	600.5700.202	BUTTON LEVER SPRING (B)
600.5700.156	S.W. OP. PLATE CR (B)	600.5700.206	MAIN DRIVE BELT (C)
600.5700.157	LOCK PLATE CR (B)	600.5700.207	CLUTCH ASSY BELT
600.5700.159	APS LOCK PLATE	600.5700.210	LEAF SWITCH
600.5700.171	AUTO KICK LEVER (ARM)	600.5700.211	REC/PLAY HEAD
600.5700.172	SUPPLY SPINDLE	600.5700.212	ERASE HEAD
600.5700.173	F.F. GEAR	600.5700.215	MOTOR
600.5700.174	EJECT HOOK (C)	600.5700.216	MOTOR PULLEY
600.5700.176	CR CANCEL ARM	600.5700.222	PSW-2.1 x 3.5 x 0.4 WASHER
600.5700.178	REC. SAFETY LEVER	600.5700.223	LMW-S 1.2 x 3.6 x 0.35 WASHER
600.5700.183	APS LOCK PLATE SHAFT	600.5700.226	T.U. SPINDLE
600.5700.187	EJECT HOOK SPRING	600.5700.243	PSW-S 1.6 x 4 x 0.25 WASHER
600.5700.188	LOCK PLATE SPRING	600.5700.244	PSW 2.1 x 5 x 0.5 WASHER

## — CALIFONE —

21300 SUPERIOR STREET  
 CHATSWORTH, CA 91311-4312  
 TEL: (800) 722-0500, FAX: (818) 407-2405

PO. BOX 69250  
 VANCOUVER, B.C. V5K 4W5  
 TEL: (604) 254-5148, FAX: (604) 254-9944