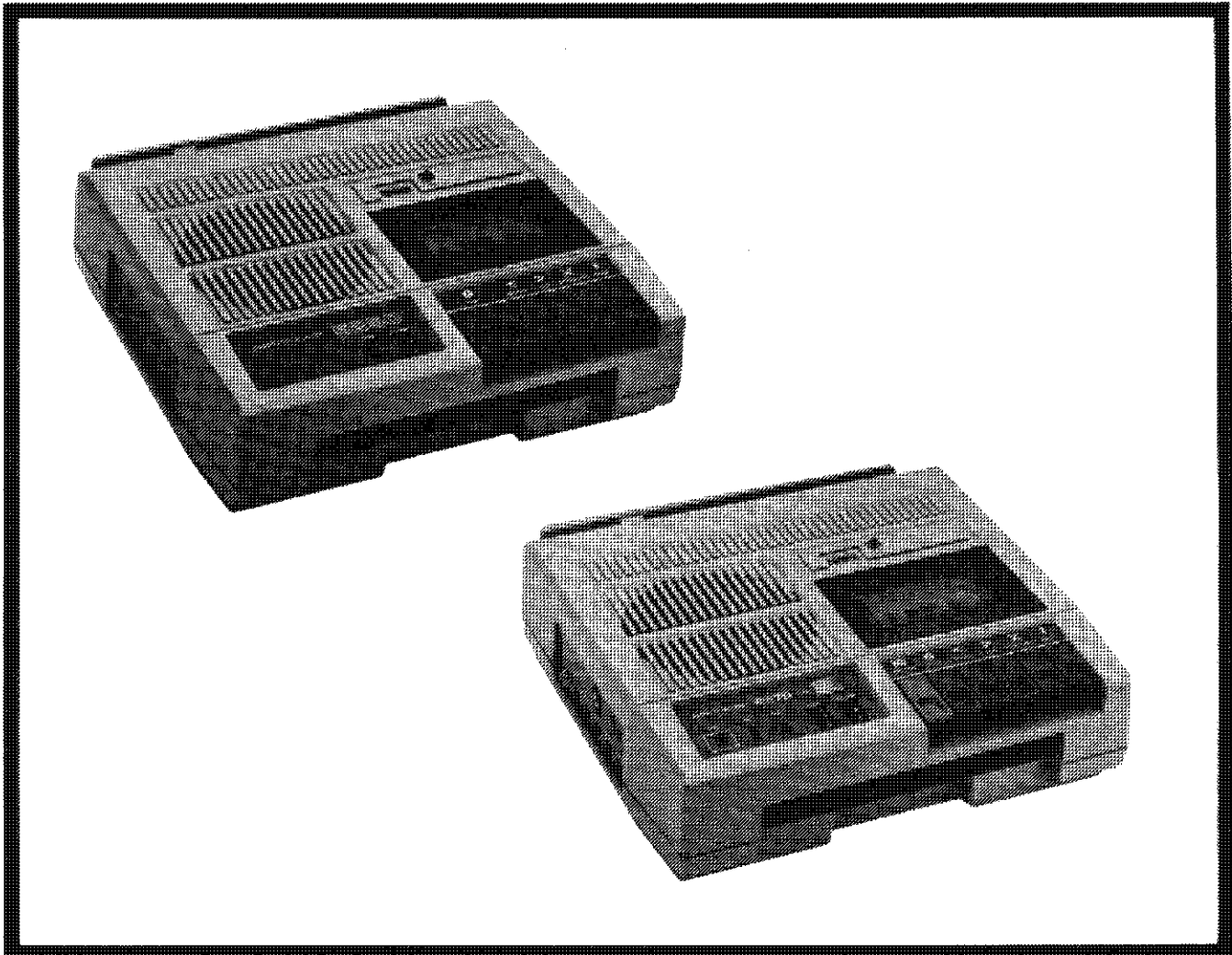


# CALIFONE

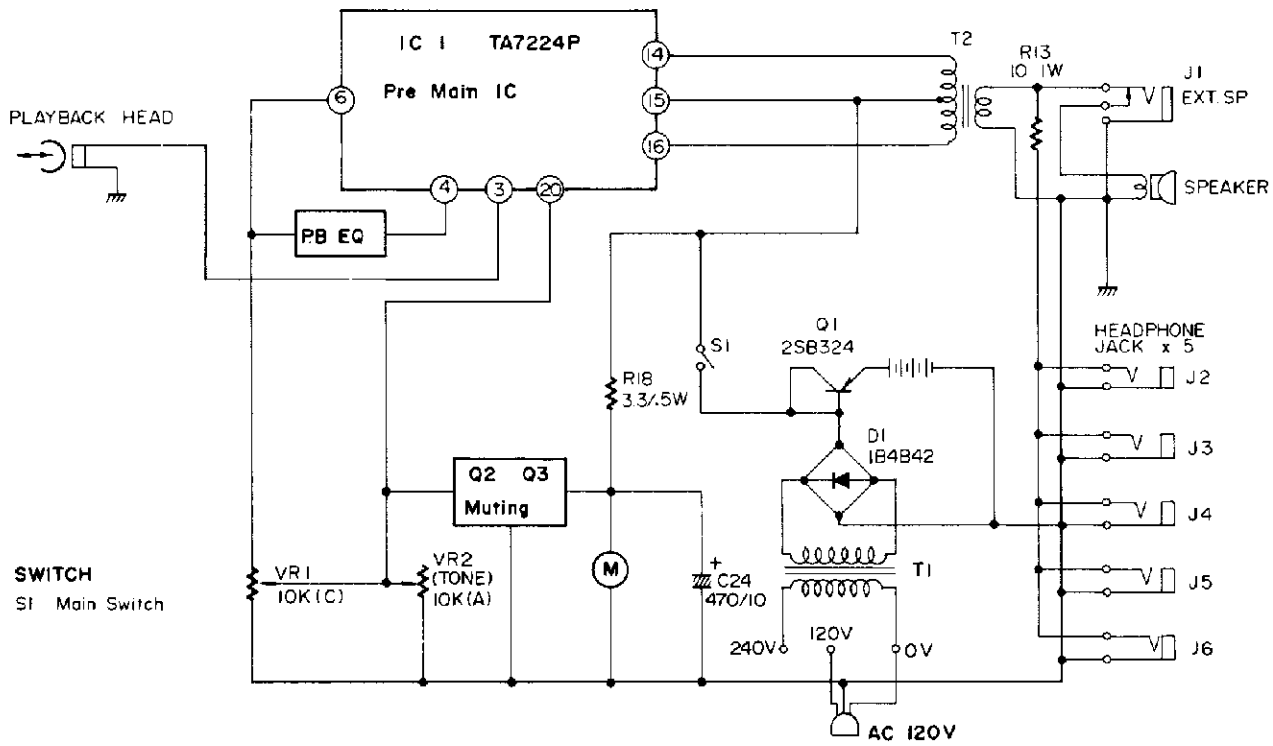
## SERVICE MANUAL MODELS 5250 & 5270



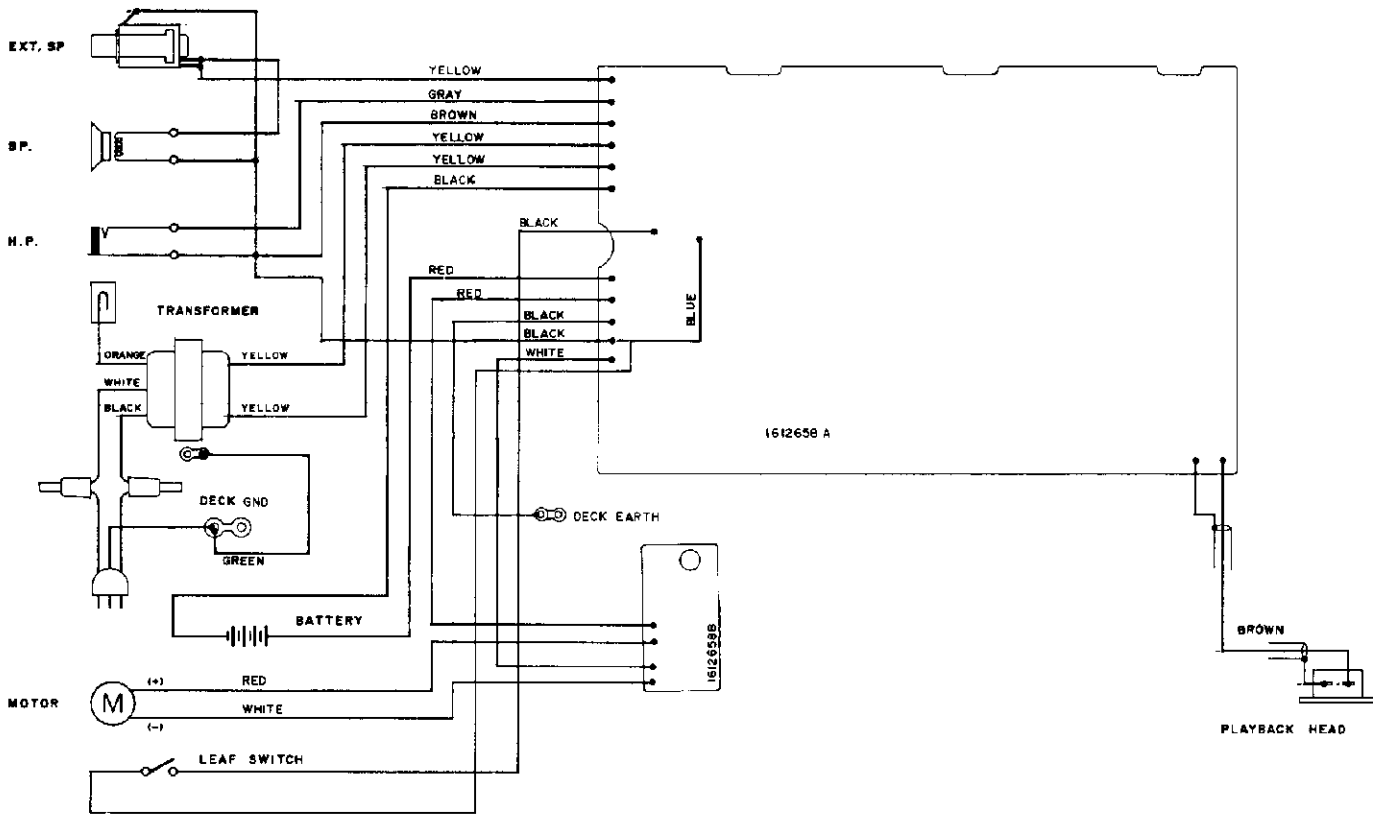
### TABLE OF CONTENTS

ITEM	PAGE
Description .....	2
5250 Transport, Expl. ....	3
5270 Transport, Expl. ....	3
Parts List .....	4
5250 Block Diagram .....	5
5250 Wiring .....	5
5250 Schematic .....	6
5250 Troubleshooting .....	7
5250 PC Board .....	8
5270 PC Board .....	9
5270 Block Diagram .....	10
5270 Wiring .....	10
5270 Schematic .....	11
5270 Troubleshooting .....	12, 13
5250 Exploded View .....	14
5270 Exploded View .....	15





5250 BLOCK DIAGRAM



5250 WIRING

V  
1  
1  
1  
7  
7  
7  
1  
1  
7

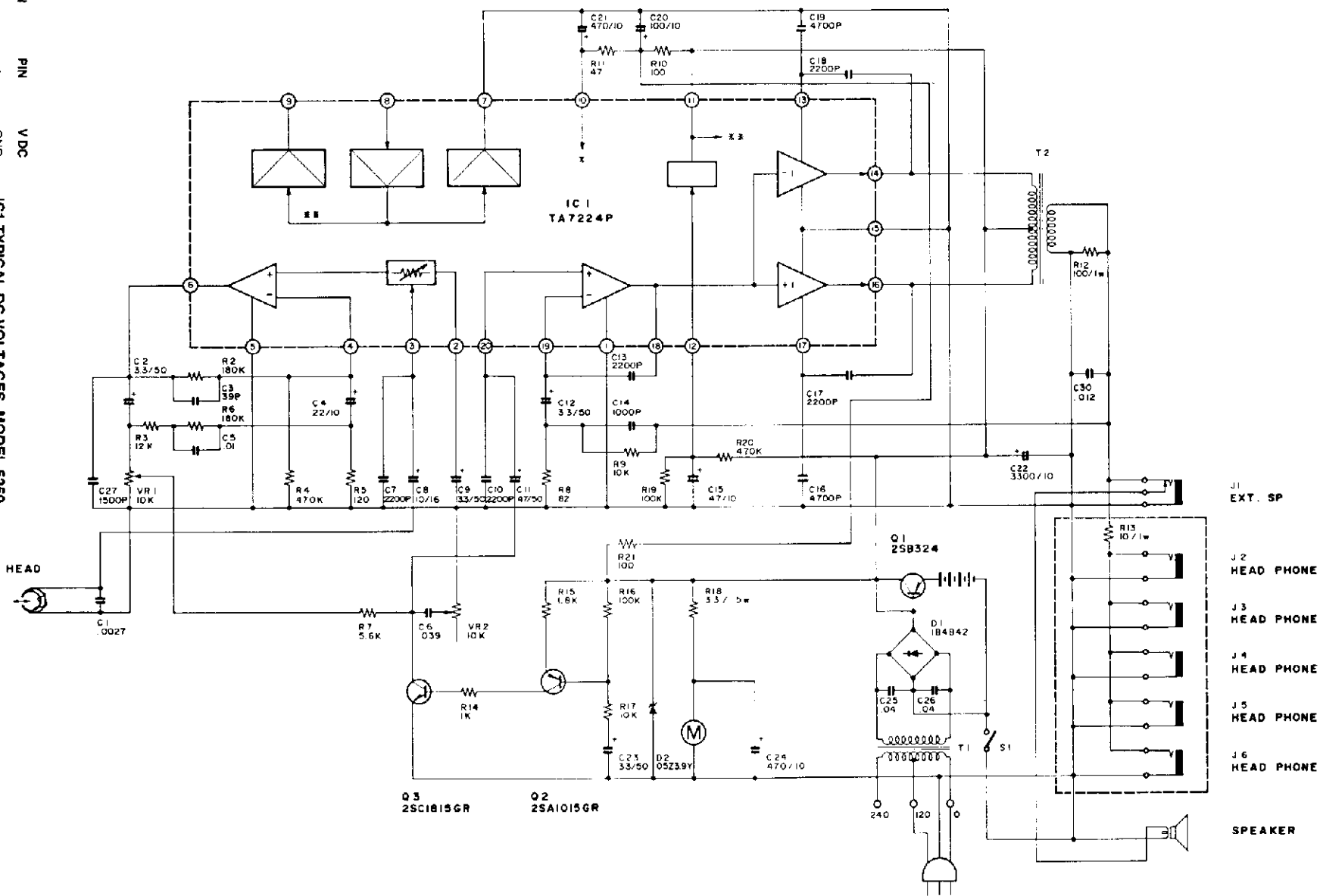
VDC	PIN	PIN	VDC
1.3	20	1	GND
1.3	19	2	1.1
1.3	18	3	1.1
1.3	17	4	1.1
7.2	16	5	GND
GND	15	6	1.5
7.2	14	7	GND
1.3	13	8	0.6
1.9	12	9	0
7.2	11	10	5.3

IC1 TYPICAL DC VOLTAGES, MODEL 5250

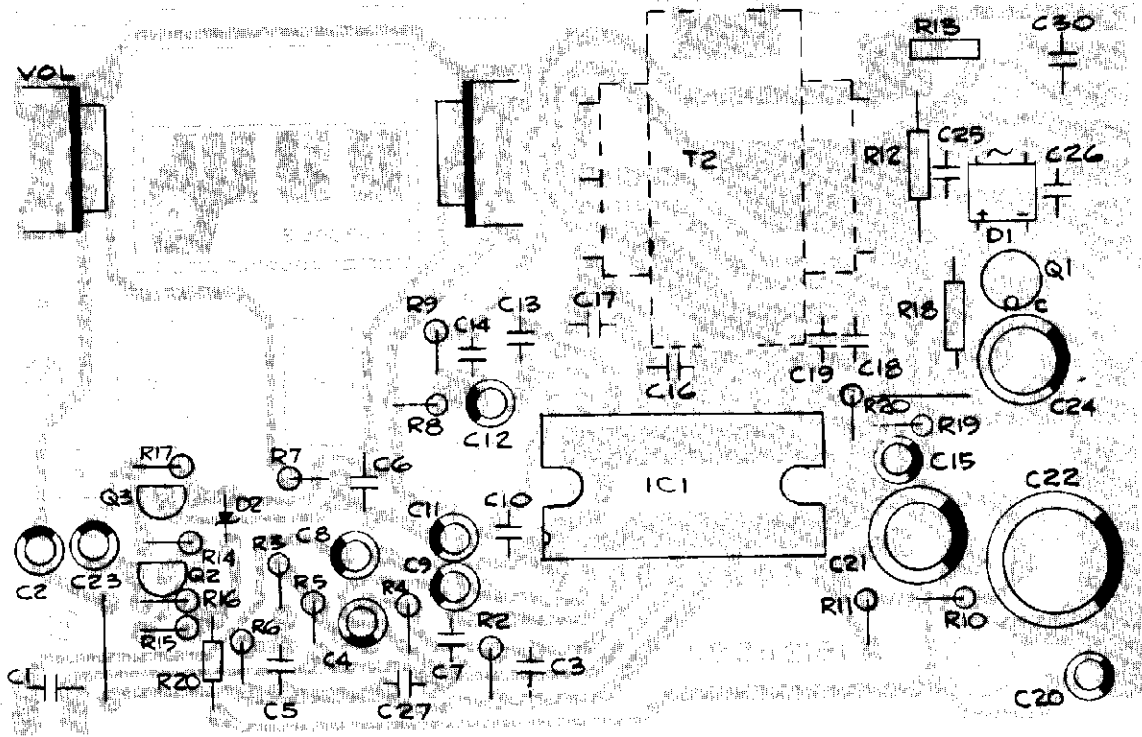
FOIL SIDE VIEW

REAR OF PCB BOARD →

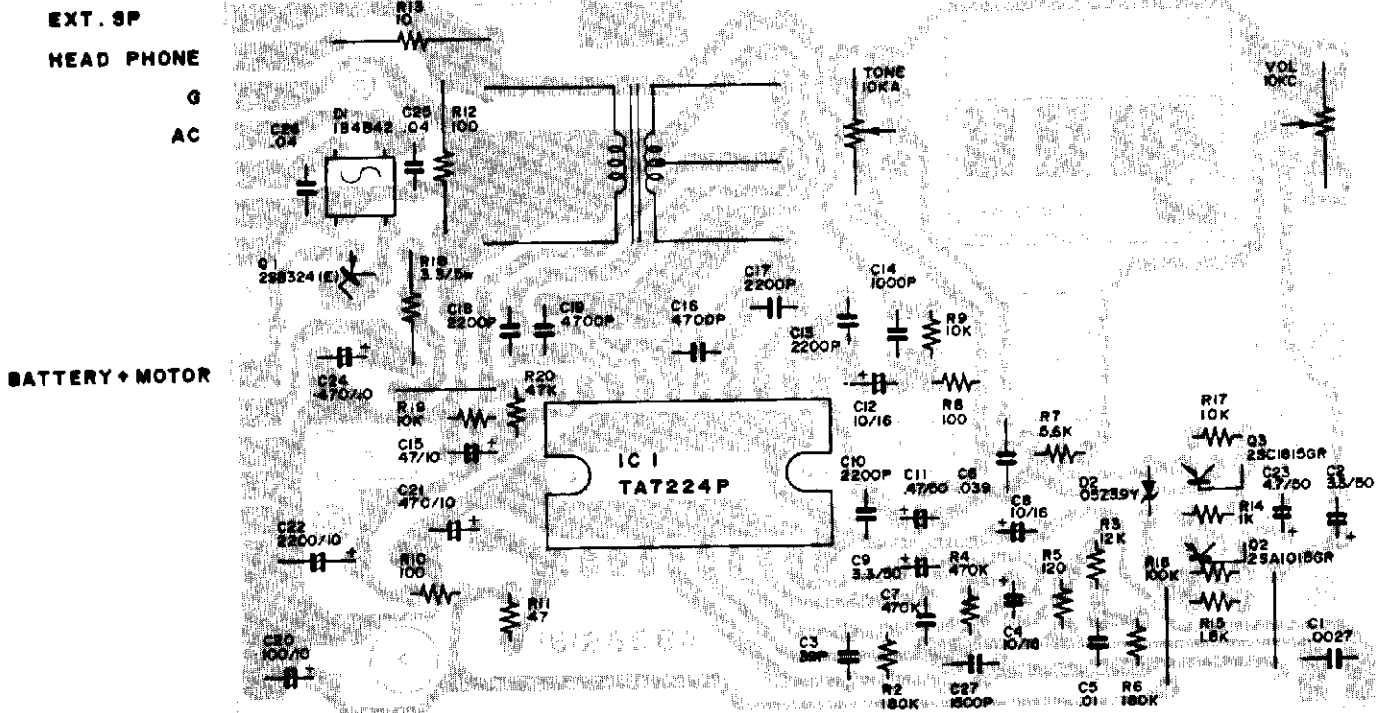
Voltages on Pins 10, 11, 14 and 16 are approximate.



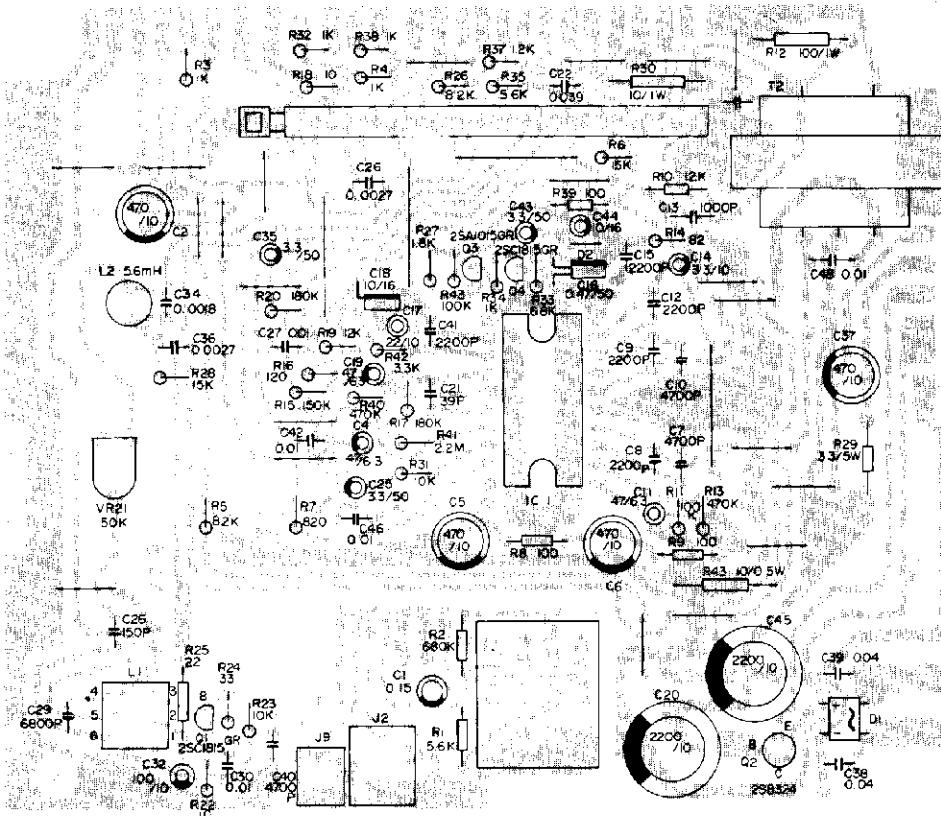
5250 SCHEMATIC



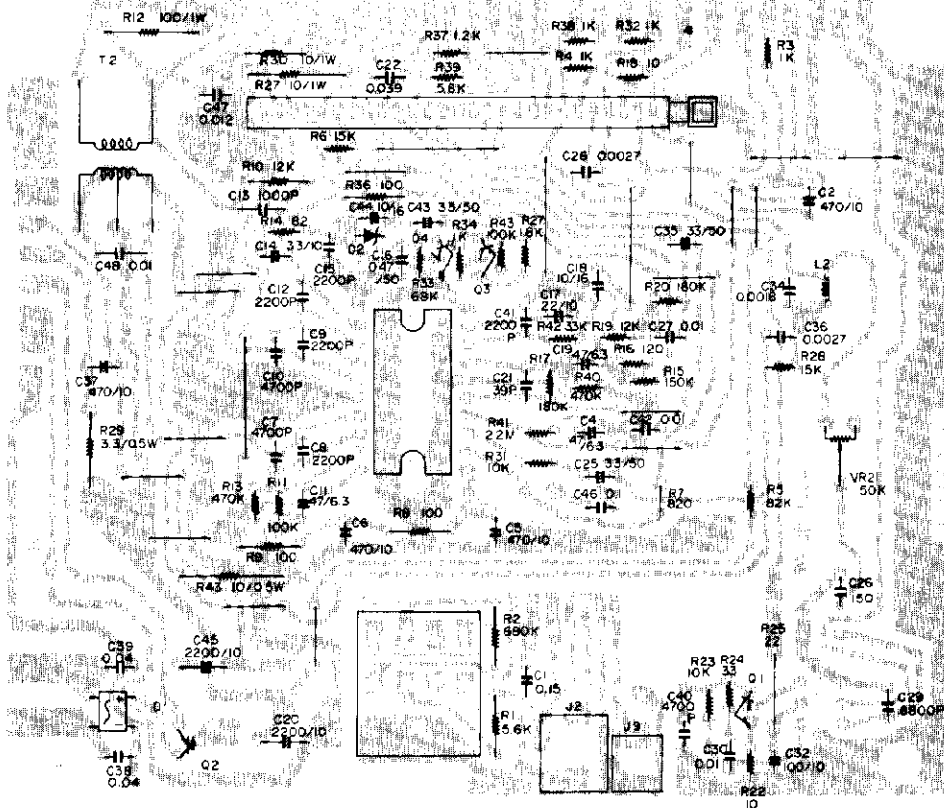
5250 PC BOARD, FOIL SIDE



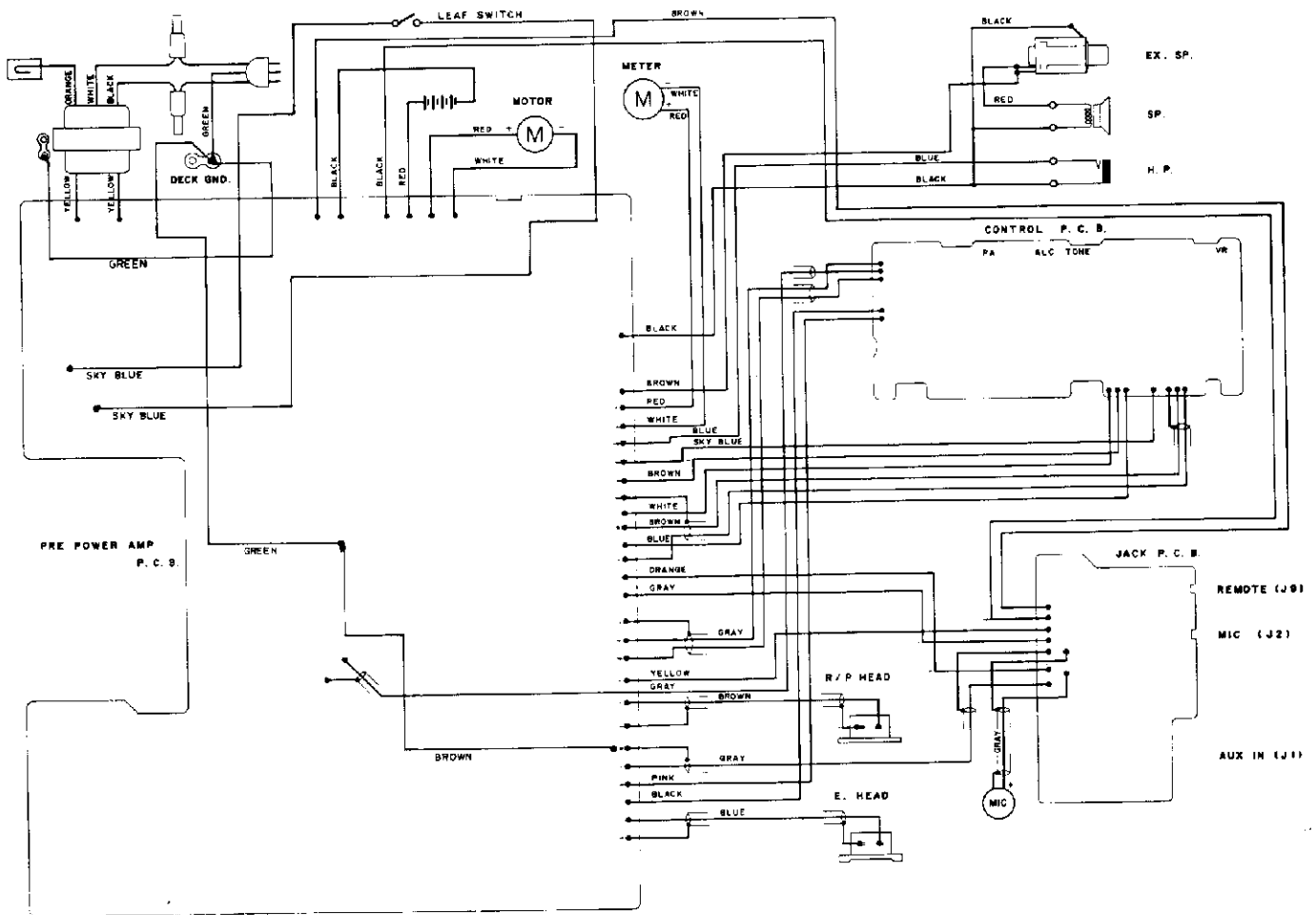
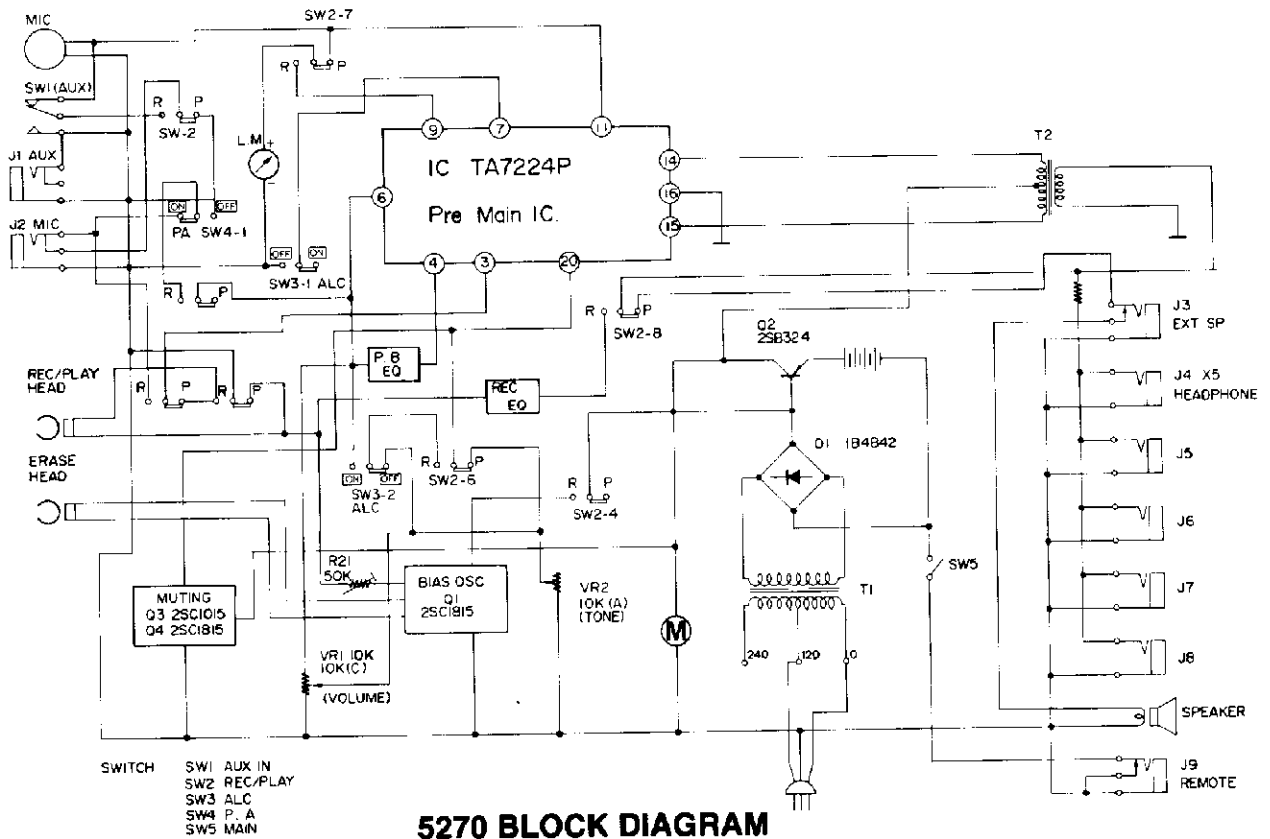
5250 PC BOARD, COMPONENT SIDE

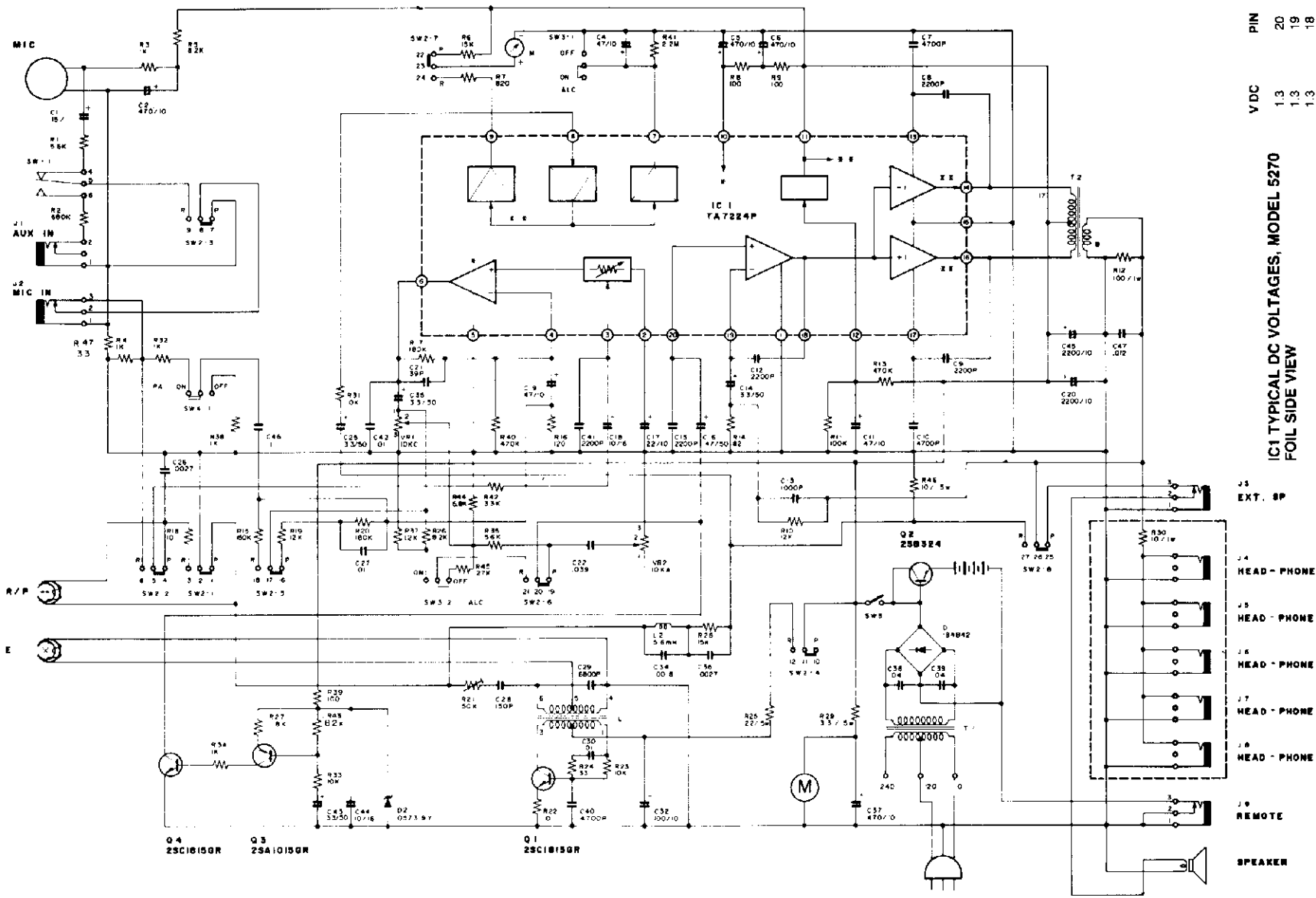


5270 PC BOARD, FOIL SIDE



5270 PC BOARD, COMPONENT SIDE





5270 SCHEMATIC

PIN	VDC
1	GND
2	1.1
3	1.1
4	1.1
5	GND
6	1.6
7	GND
8	0.6
9	0
10	6.3

PIN	VDC
20	1.3
19	1.3
18	1.3
17	1.3
16	7.4
15	GND
14	7.4
13	1.3
12	1.9
11	7.4

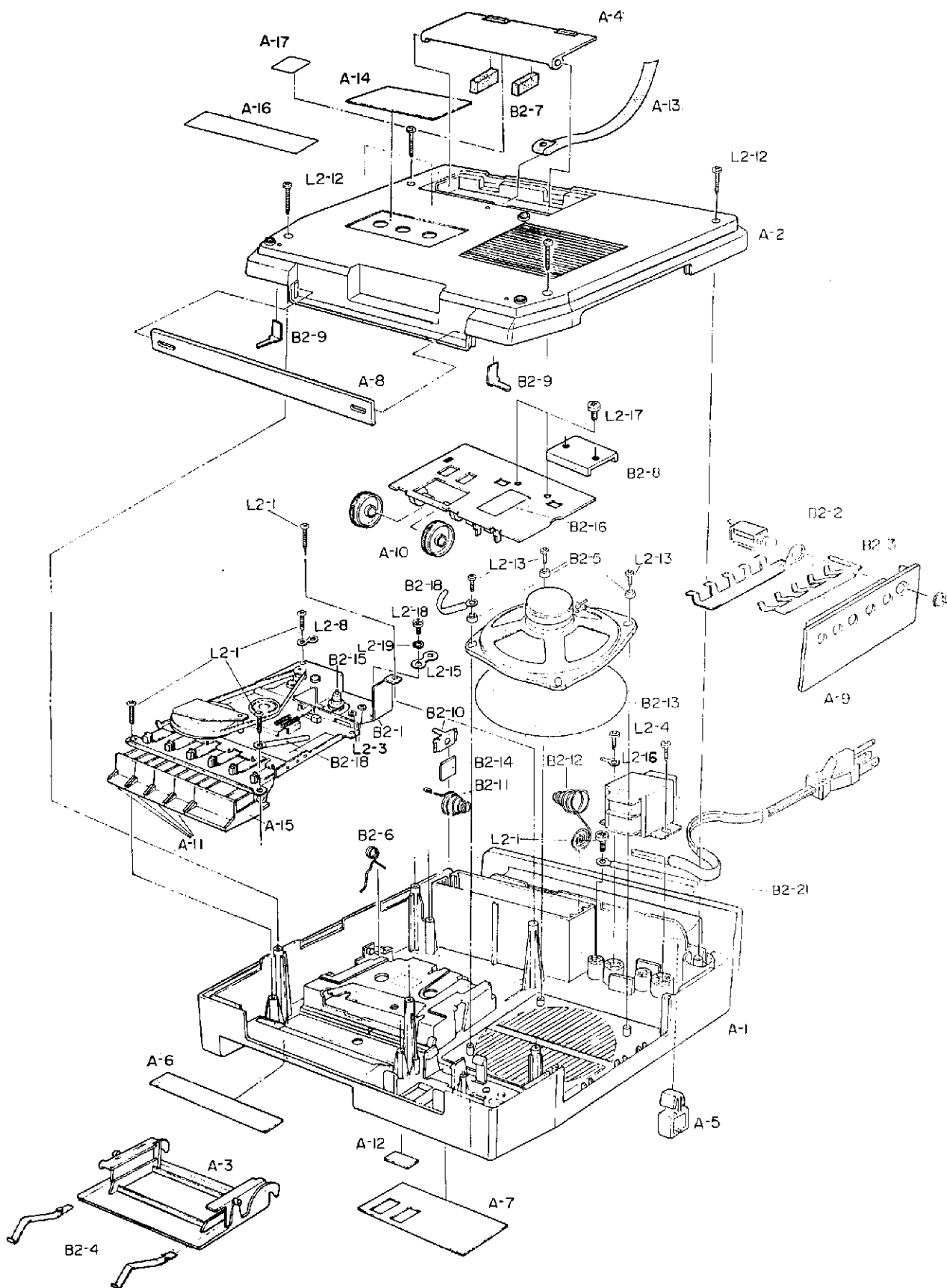
IC1 TYPICAL DC VOLTAGES, MODEL 5270  
FOIL SIDE VIEW

← REAR OF PC BOARD

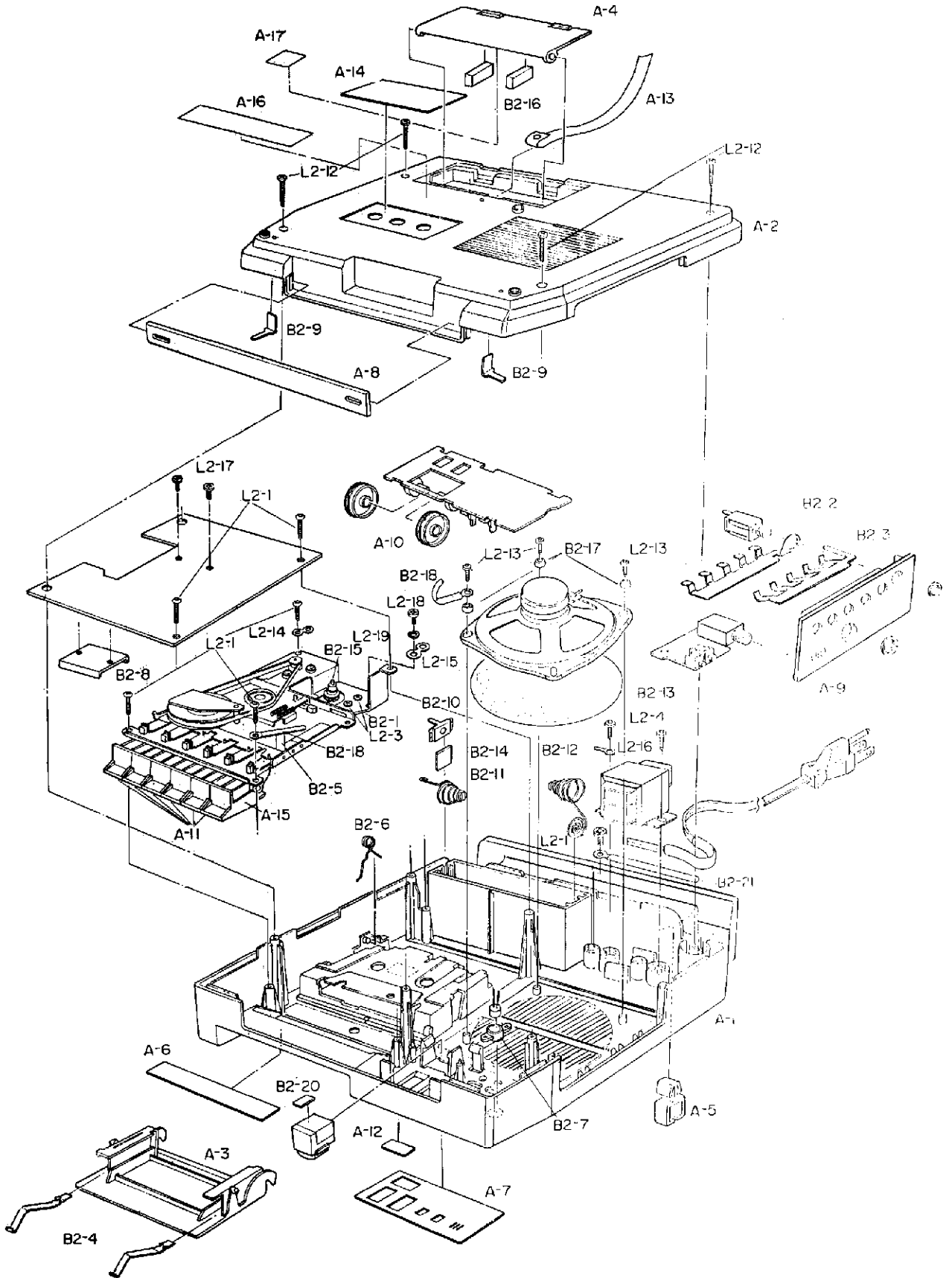
Voltages on Pins 10, 11, 14, and 15 are approximate.

- J3 EXT. SP
- J4 HEAD - PHONE
- J5 HEAD - PHONE
- J6 HEAD - PHONE
- J7 HEAD - PHONE
- J8 HEAD - PHONE
- J9 REMOTE
- SPEAKER





**5250 ASSEMBLY**



5270 ASSEMBLY