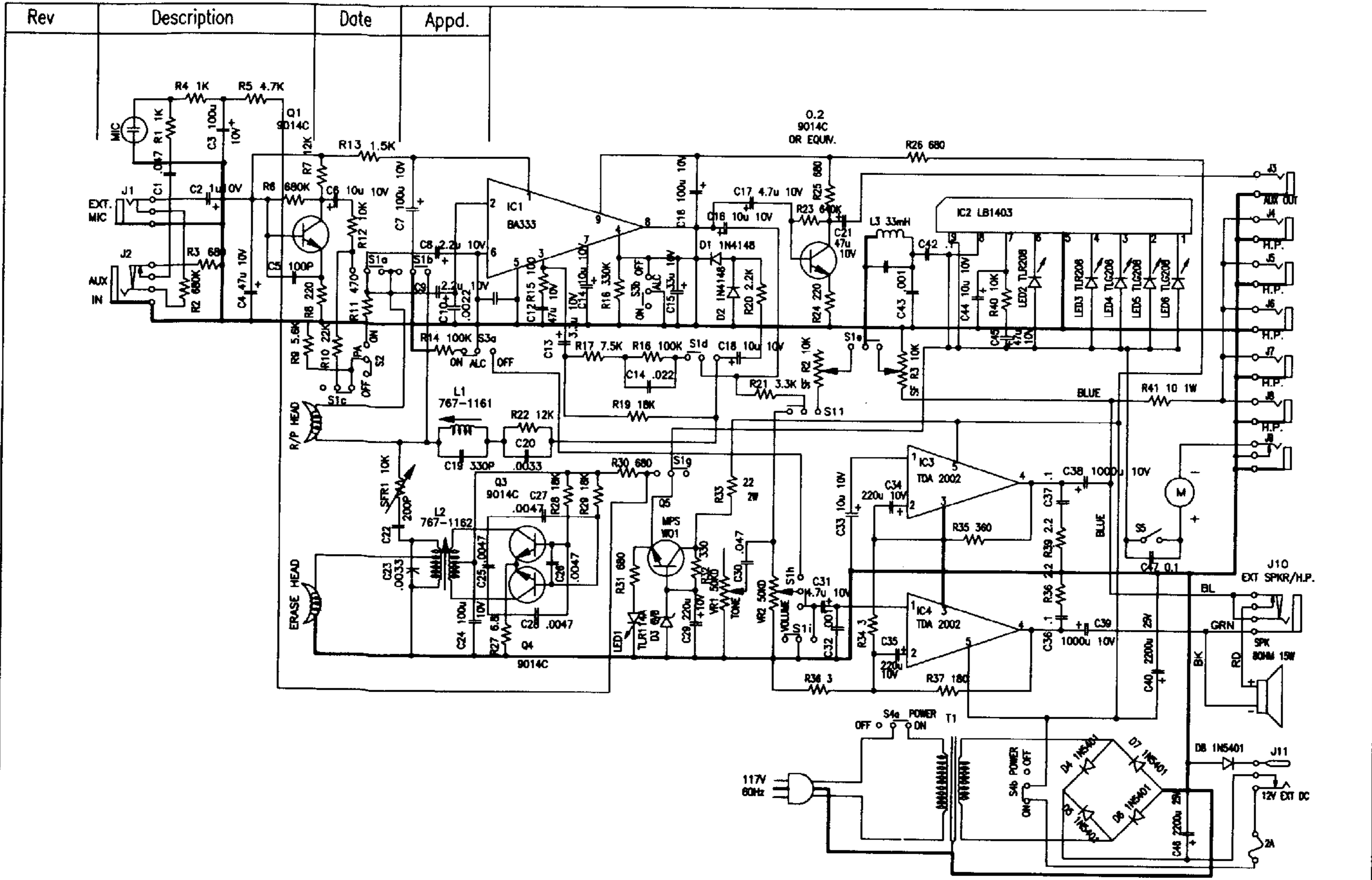
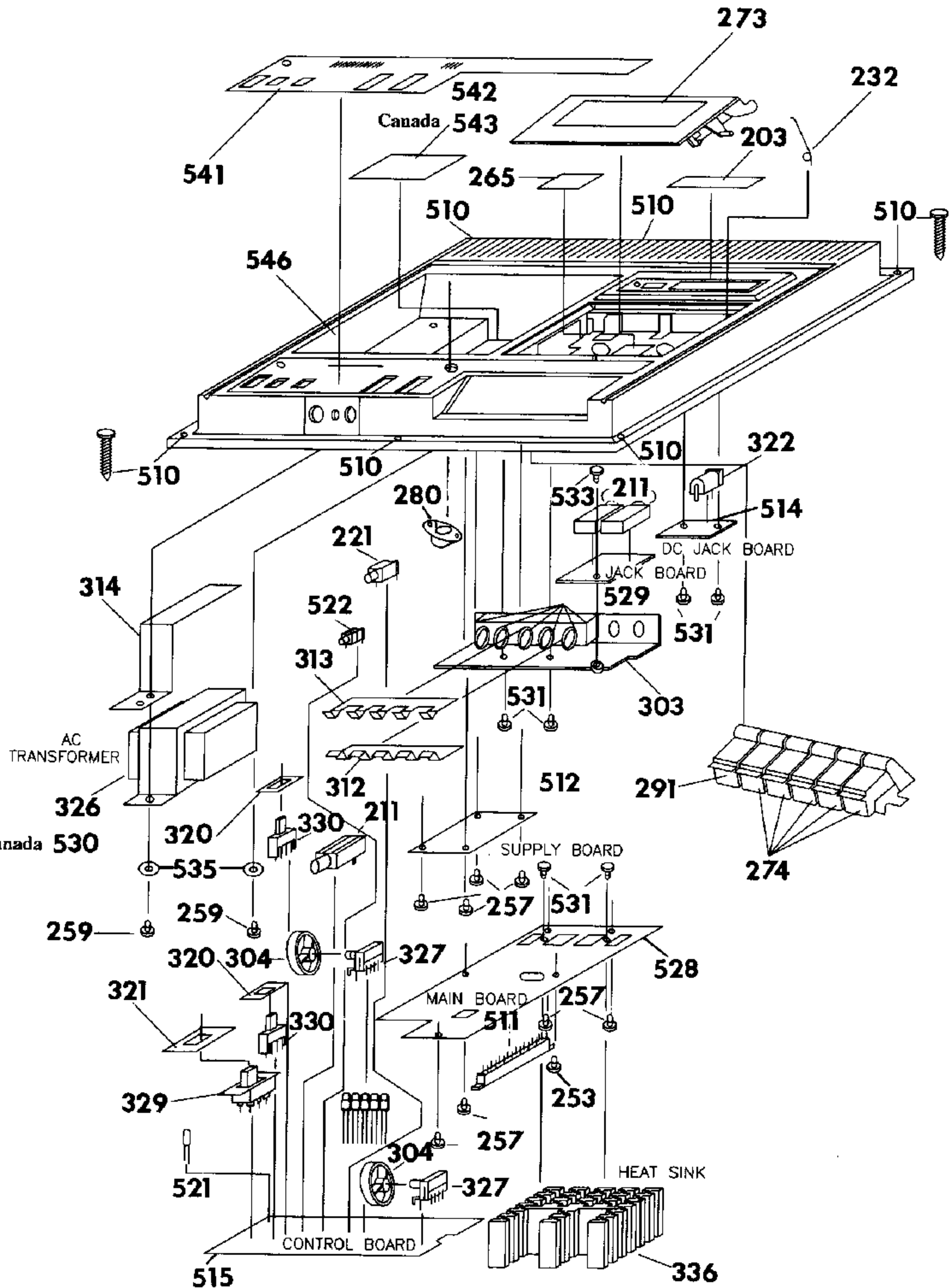


Schematic Diagram - Model 3670AV



Rev	Description	Date	Appd.
-----	-------------	------	-------

Title Schematic Diagram Model 3670AV			
Drawing No.	008-1560-02	Date	8/91
Appd.			
CALIFONE		21300 Superior Street Chatsworth, CA 91311	



Replacement Parts

032-0078-00	Packing Plastic Bag	600-3100-273	Door, Cassette	600-5700-154	Lever, Rewind
032-0142-00	Styro Packing Corners	600-3100-274	Key, Function Grey Single	600-5700-155	Lever, Play
032-0357-02	Shipping Carton	600-3100-275	Cord, AC Power Canada CSA	600-5700-156	Plate, S.W. Op.
		600-3100-277	Label, Cation French	600-5700-157	Plate, Lock
		600-3100-280	Holder, Electret Microphone	600-5700-158	Lever, Record
		600-3100-281	Microphone, Electret	600-5700-159	Plate, APS Lock
		600-3100-291	Key, Function Red Single	600-5700-160	Lever, Head Op. 184 Op. Pin
		600-3600-303	Plate, Plastic Headphone Jack	600-5700-168	Spring, Leaf
		600-3600-304	Knob, Volume Black	600-5700-171	Lever, Auto Kick
		600-3600-312	Plate, Headphone Jack Lower	600-5700-172	Spindle, Supply
		600-3600-313	Plate, Headphone Jack Upper	600-5700-173	Gear, Fast Forward
		600-3600-314	Xformer, Shield/Bracket	600-5700-174	Hook, Eject
		600-3600-320	Cover, Dust PA & ALC Switch	600-5700-175	Arm, Cancel
		600-3600-321	Cover, Dust Power Switch	600-5700-176	Arm, Cancel
		600-3600-326	Transformer, Power US, U.L.	600-5700-178	Lever, Record Safety
		600-3600-512	PCB, Comp, Power Supply	600-5700-179	Lock, Pause
		600-3600-514	PCB, Comp, Ext. DC Input	600-5700-181	Bushing, Lock Pause Stopper
		600-3600-515	PCB, Comp, Control Board	600-5700-187	Spring, Eject Hook
		600-3600-528	PCB, Comp, Amplifier	600-5700-188	Spring, Lock Plate
		600-3600-529	PCB, Comp, Line Out/Ext Spk	600-5700-189	Spring, S.W. Op. Plate
		600-3600-530	Xformer, Power CDN, CSA	600-5700-190	Spring, Play Arm
		600-3600-531	Screw, Self Tapping 3 x 8mm	600-5700-191	Spring, Rewind Bt.
		600-3600-533	Screw, Self Tapping 2.6 x 8mm	600-5700-192	Spring, Auto Kick Arm
		600-3600-535	Washer, Metal 3 x 12mm	600-5700-193	Spring, Play Lever
		600-3600-536	Washer, Fiber 8 x 3 x .8mm	600-5700-194	Spring, AF Record Safety
		600-3600-537	Washer, Fiber 8 x 3 x .4mm	600-5700-196	Spring, Azimuth
		600-3600-540	Mechanism, Transport	600-5700-197	Spring, Pause Lock
		600-3600-541	Escutcheon, Function Key	600-5700-198	Spring, Record Lever
		600-3600-542	Escutcheon, Rating U.L.	600-5700-199	Spring, Pinch Roller Arm
		600-3600-543	Escutcheon, Rating CSA	600-5700-200	Spring, Head Base
		600-3600-546	Cabinet, Top	600-5700-201	Spring, Button Lever (A)
		600-3600-547	Shield, Fiber Paper	600-5700-202	Spring, Button Lever (B)
				600-5700-203	Spring, Erase Head Align.
				600-5700-206	Main, Main Drive
				600-5700-207	Belt, Clutch Assy.
				600-5700-210	Switch, Leaf
				600-5700-215	Motor, D.C. Drive
				600-5700-216	Pulley, Motor
				600-5700-217	Bracket, Drive Motor Mntg.
				600-5700-218	Grommets, Motor Mounting
				600-5700-219	Pad, Felt Anti-Vibration
				600-5700-221	Retainer, Fast Forward Gear
				600-5700-222	Washer, PSW 2.1x3.6x.4mm
				600-5700-223	Washer, 1.2 x 3.6 x .35mm
				600-5700-225	Washer, Supply Spindle
				600-5700-226	Spindle, Take Up
				600-5700-230	Lug, R/P Head Grounding
				600-5700-232	Screw, Bind DT 2 x 4mm
				600-5700-233	Screw, Bind Head 2 x 5mm
				600-5700-235	Screw, Record/Play Head
				600-5700-236	Screw, DT #1 2 x 7mm
				600-5700-238	E-Ring, Function Key Shaft
				600-5700-239	Screw, Erase Head
				600-5700-240	Screw, Plax, 2 x 8mm
				600-5700-243	Washer, 1.6 x 4 x .25mm
				600-5700-244	Washer, 2.1 x 5 x .5mm
				662-0040-073	Counter, 2X

Final Assembly Screw Placement Information

002-0510-00	Screw, Deck Mounting 6 x 3/4	Deck to Case Mounting Screws
600-3100-253	Screw, 2.6mm x 6 mm Binding Head	Main PCB to Mechanism
600-3100-257	Screw, Self Tapping 3mm x 6mm BA NI	Main, Control and Power Supply PCB's and Mechanism to deck
600-3100-259	Screw, Self Tapping 3mm x 10mm BA	Transformer and AC Cord to Deck
600-3100-283	Screw, 2.6mm x 4mm	Counter Bracket to Mechanism
600-3600-531	Screw, Self Tapping 3mm x 8mm BT	DC Input Jack PCB, Headphone Jack Rail to Deck and Heatsink to PCB
600-3600-532	Screw, Machine 3mm x 4mm	Counter to Counter Bracket, AC Gound Lug to Transformer Shield
600-3600-533	Screw, Self Tapping 2.6mm x 8mm BT	Aux In/Ext Speaker Jack PCB to Headphone Jack Rail
600-3600-534	Screw, Machine 2mm x 3mm	Record/Play Switch Activator Bracket

For additional information call Califone Customer Service at 1-800-722-0500 or write to:

Califone International, Inc., 21300 Superior Street, Chatsworth, CA 91311

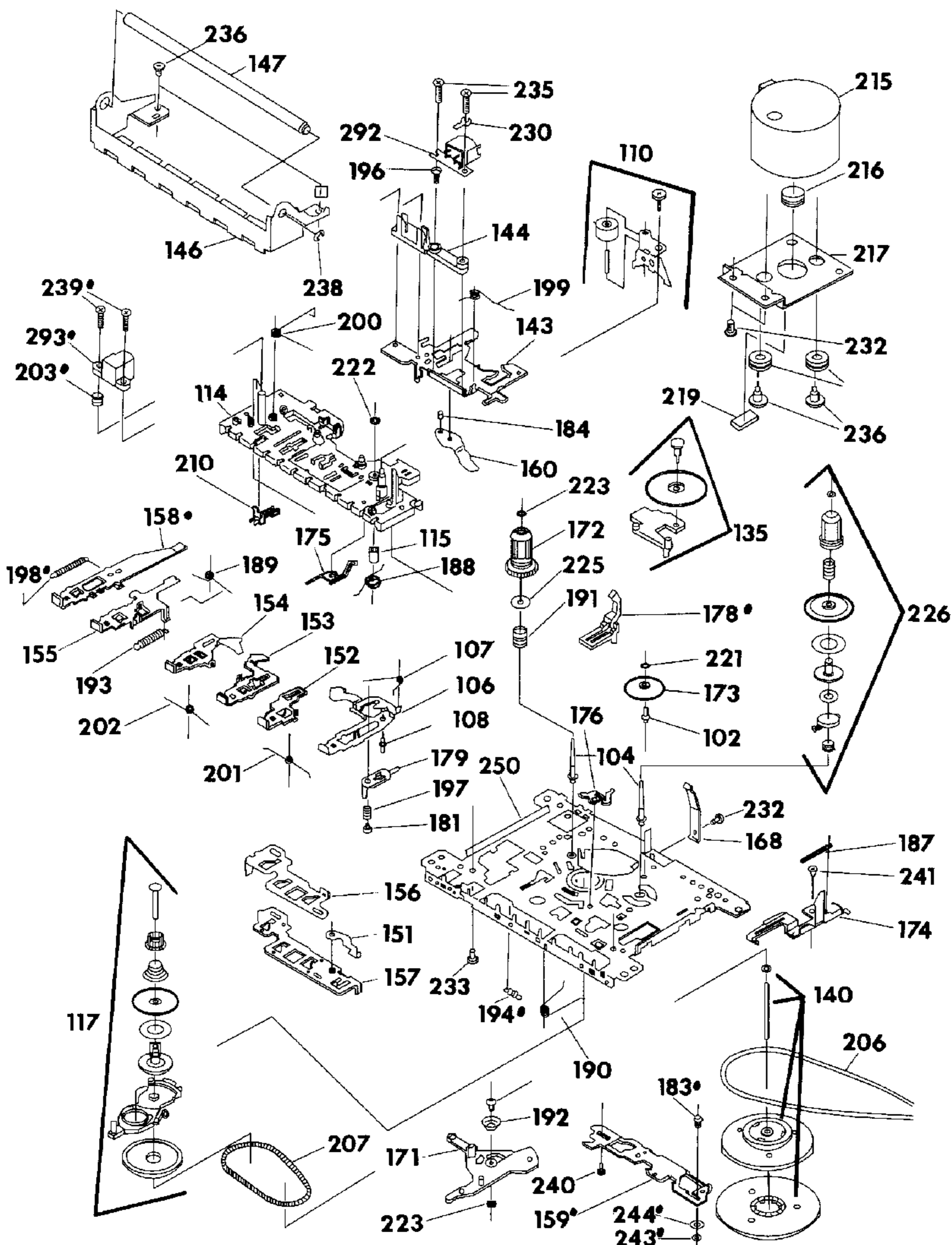
© 1992 Califone International, Inc. All rights reserved.

Printed in U.S.A.

C911141M 008-1612-01

CALIFONE International, Inc.

Transport Explosion



Title CDS-83		
Drawing No.	Date	Appd.
CAIFONE		21300 Superior Street Chatsworth, CA 91311

