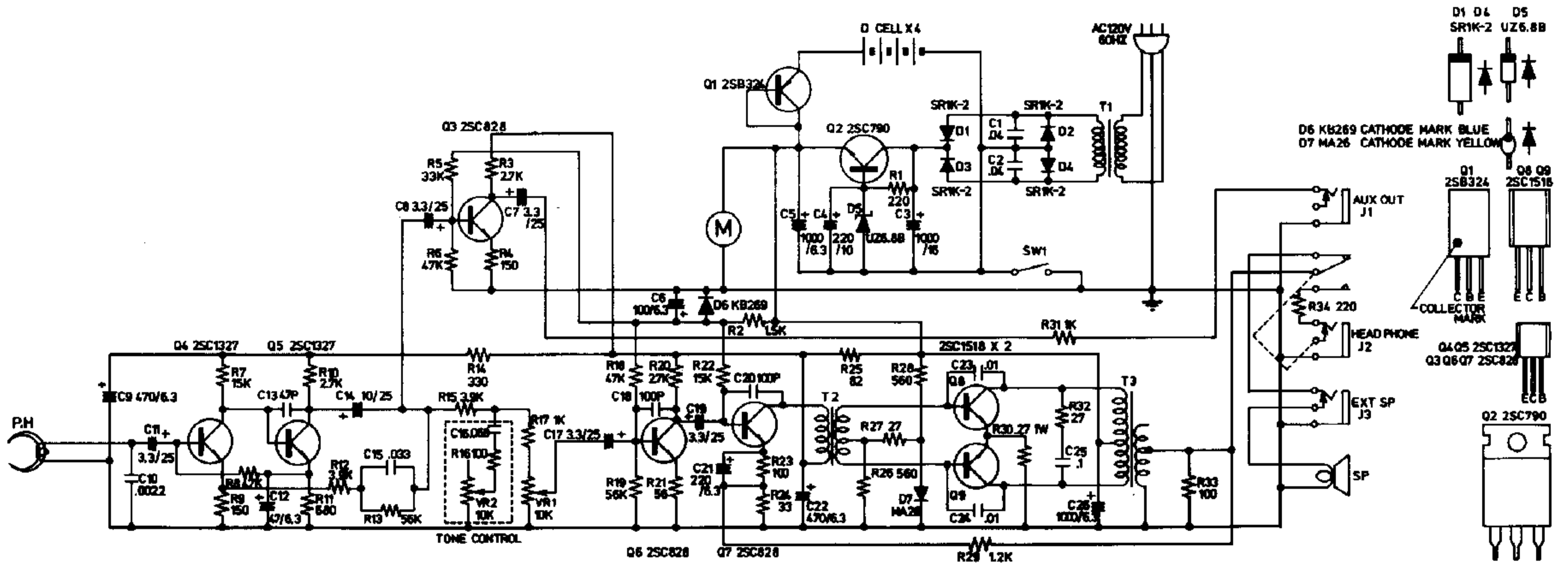


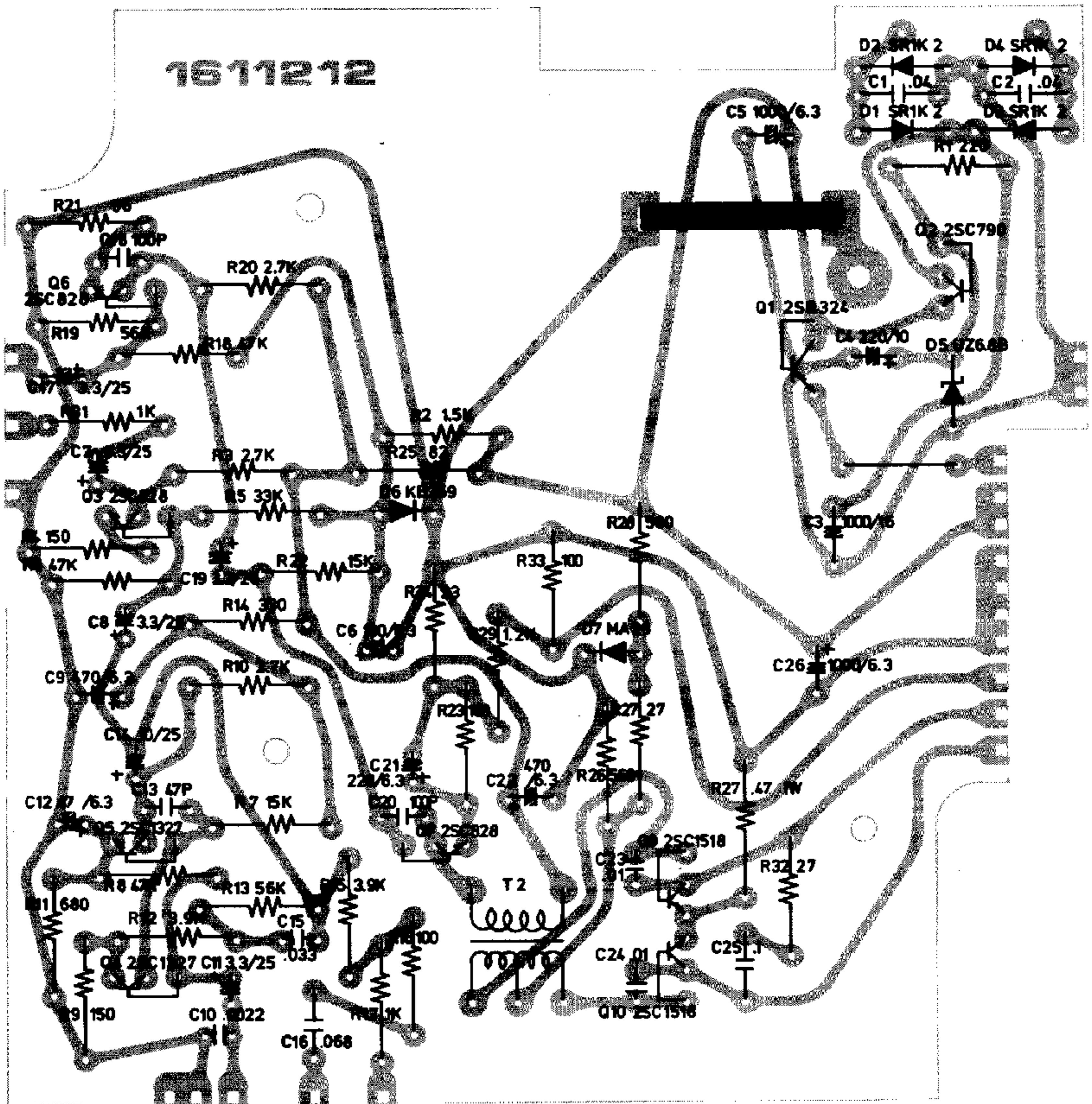
**3500/3510 SCHEMATIC
TYPE I**



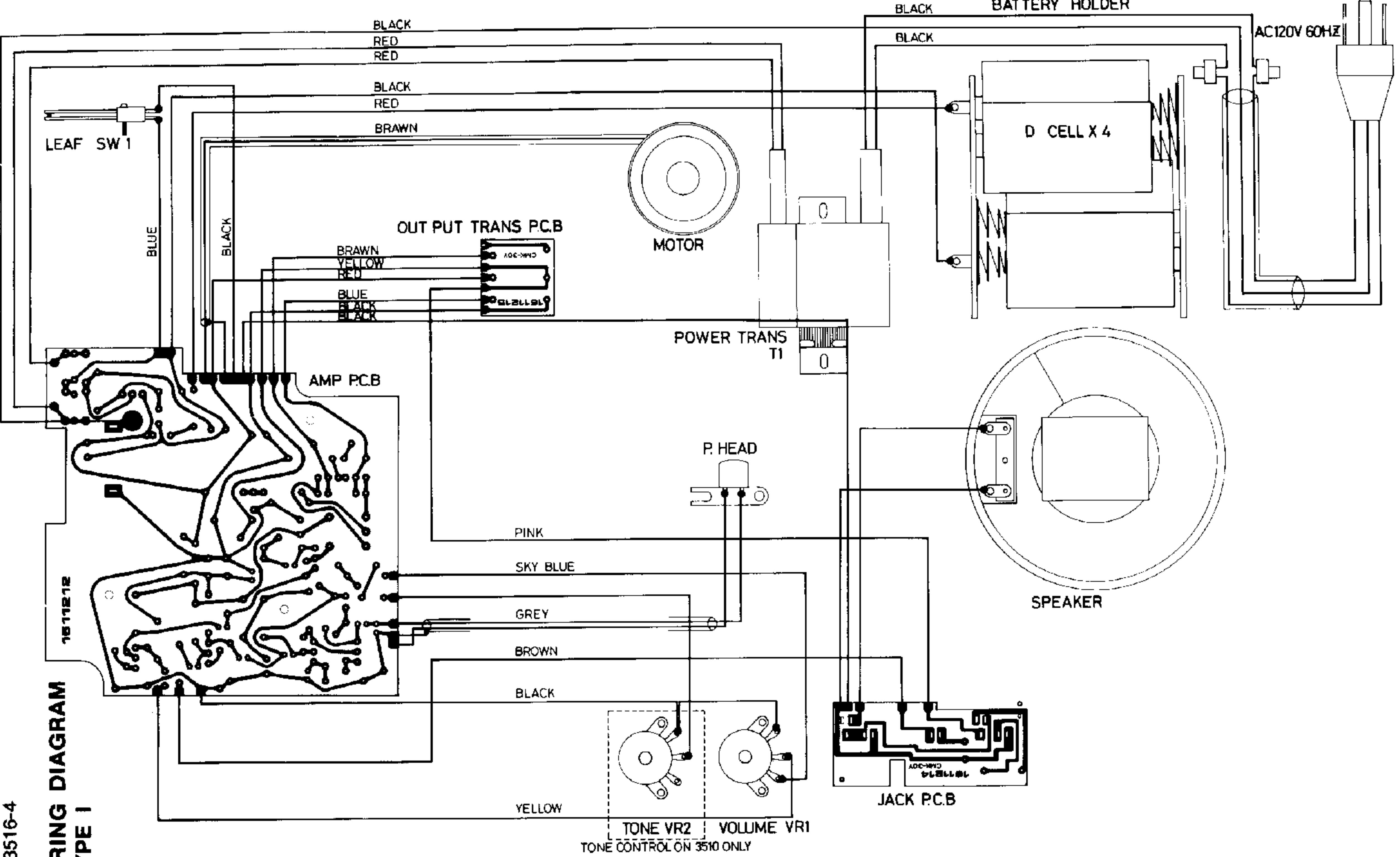
NOTES
 1 SW1 MAIN SW.
 2 TONE CONTROL CIRCUIT ON 3510 ONLY.



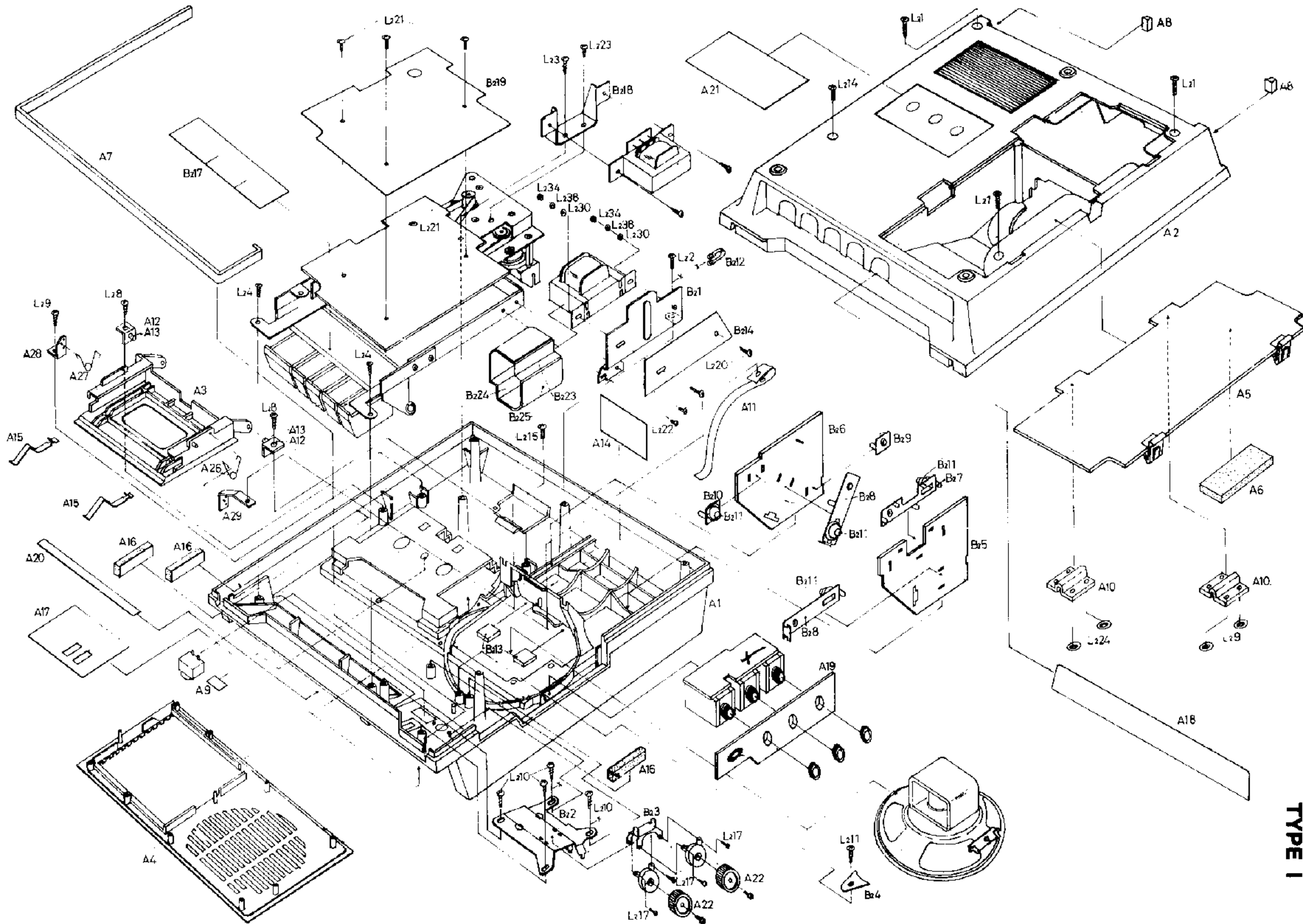
3500/3510 AMPLIFIER COMPONENT IDENTIFICATION TYPE I



3500/3510 WIRING DIAGRAM
TYPE 1



TONE VR2 VOLUME VR1
TONE CONTROL ON 3510 ONLY



**3500/3510 CASE PARTS
TYPE I**

1
2
3
↓
B
C

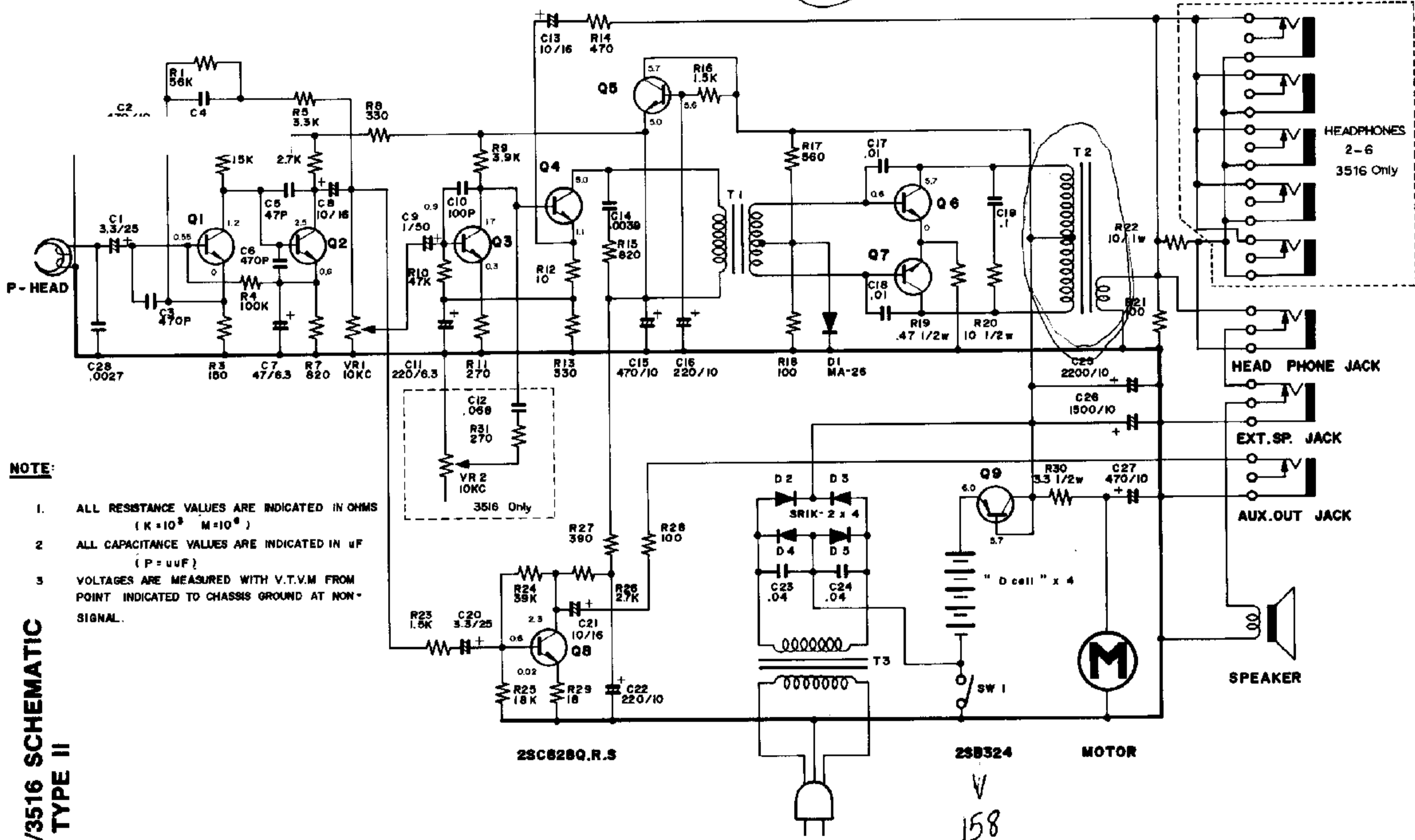
29C1327S.T.U x 2

25C828Q.R.S x 2

25C828S

29C468C x 2

MPS 6560

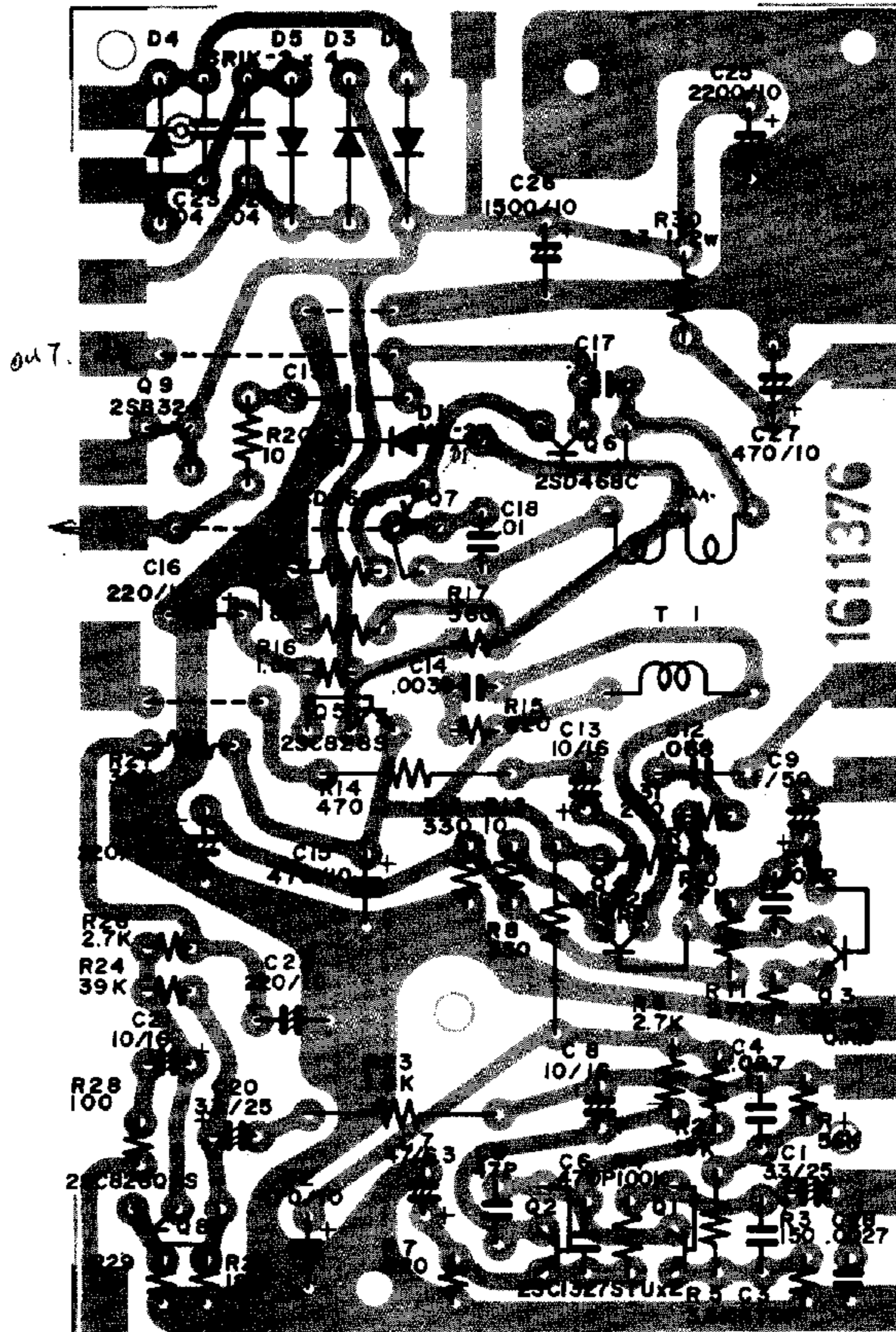


NOTE:

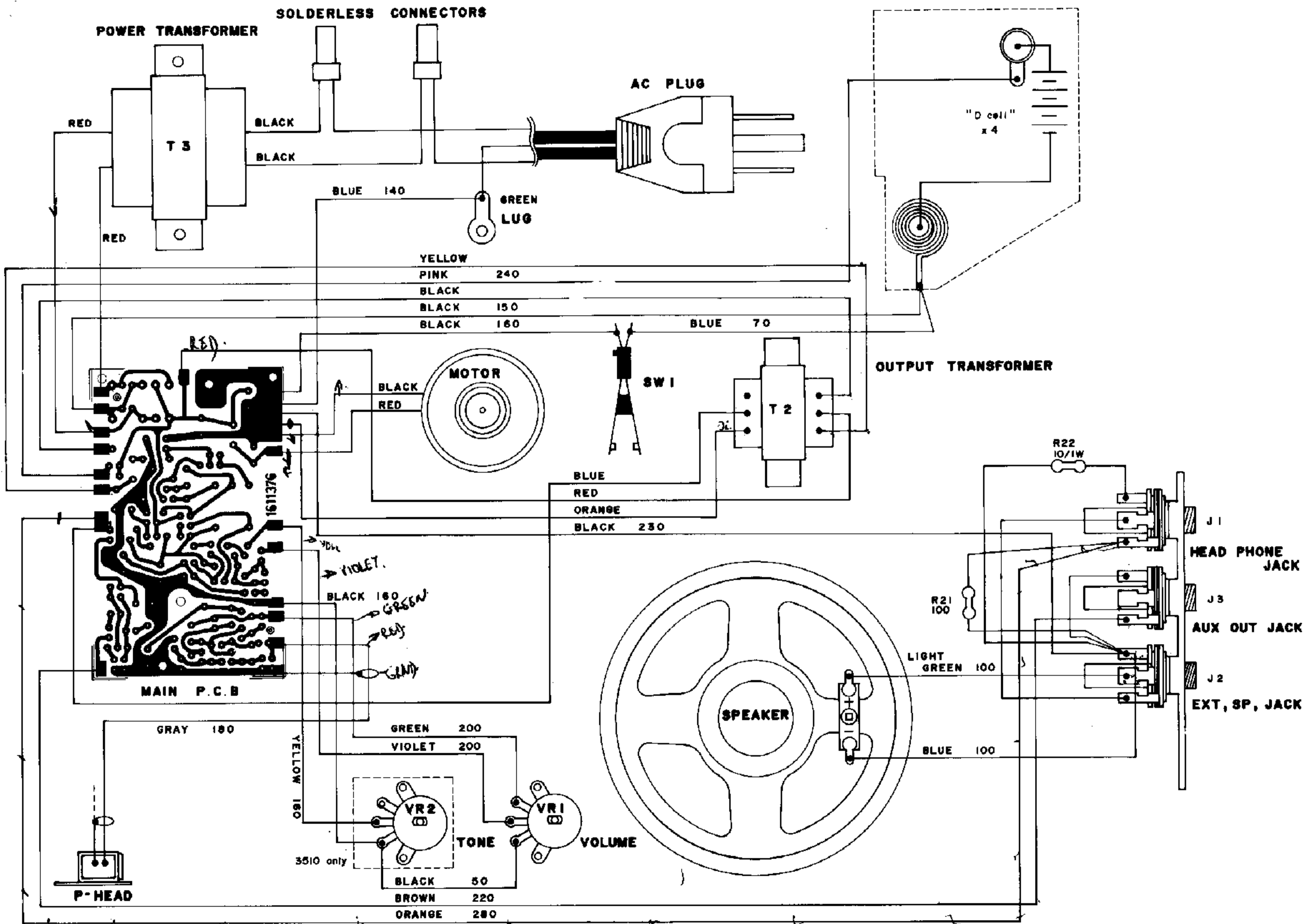
1. ALL RESISTANCE VALUES ARE INDICATED IN OHMS
(K = 10³ M = 10⁶)
2. ALL CAPACITANCE VALUES ARE INDICATED IN μF
(P = pμF)
3. VOLTAGES ARE MEASURED WITH V.T.V.M FROM
POINT INDICATED TO CHASSIS GROUND AT NON-
SIGNAL.

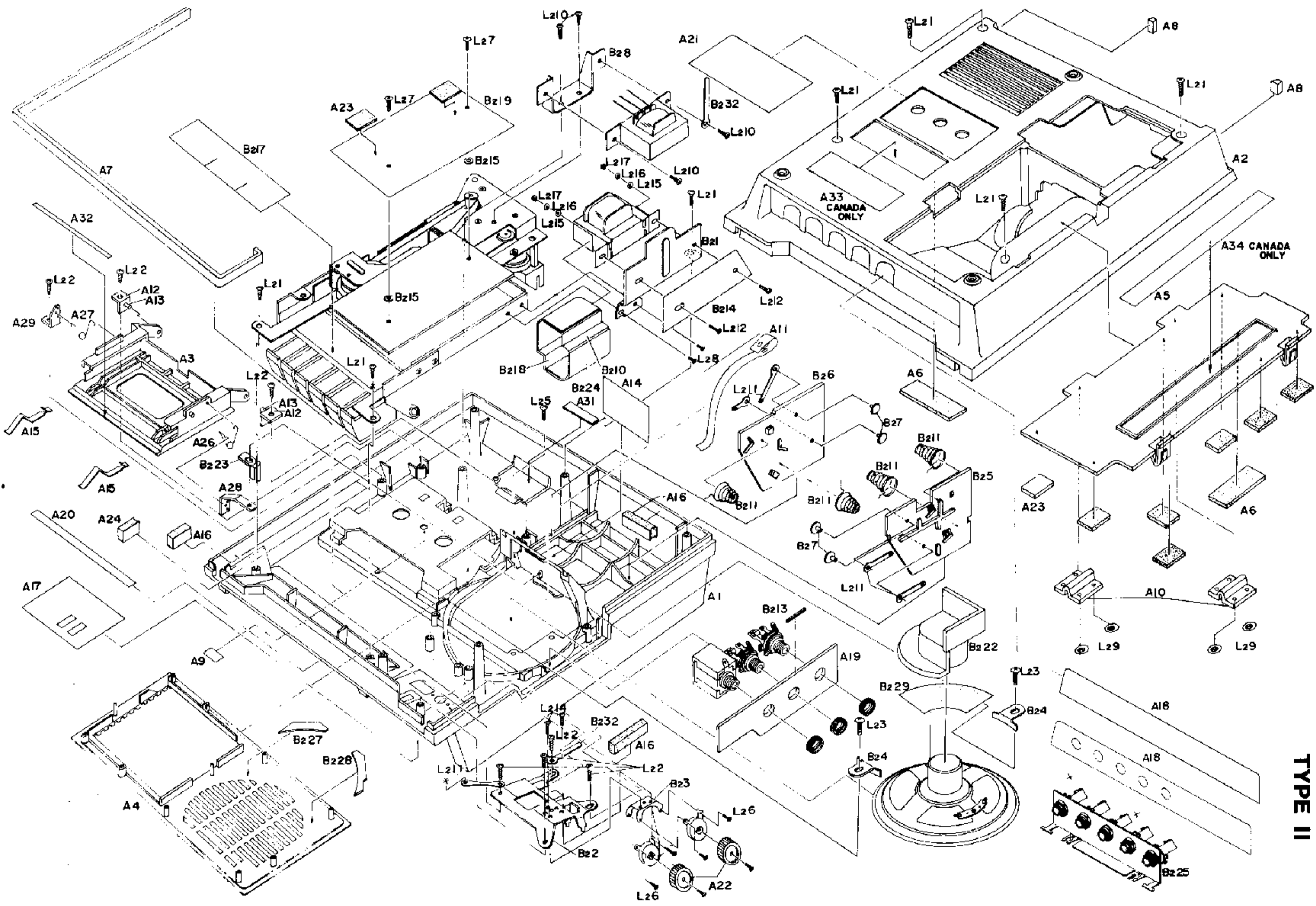
V
158

3500/3510/3516 AMPLIFIER COMPONENT IDENTIFICATION TYPE II



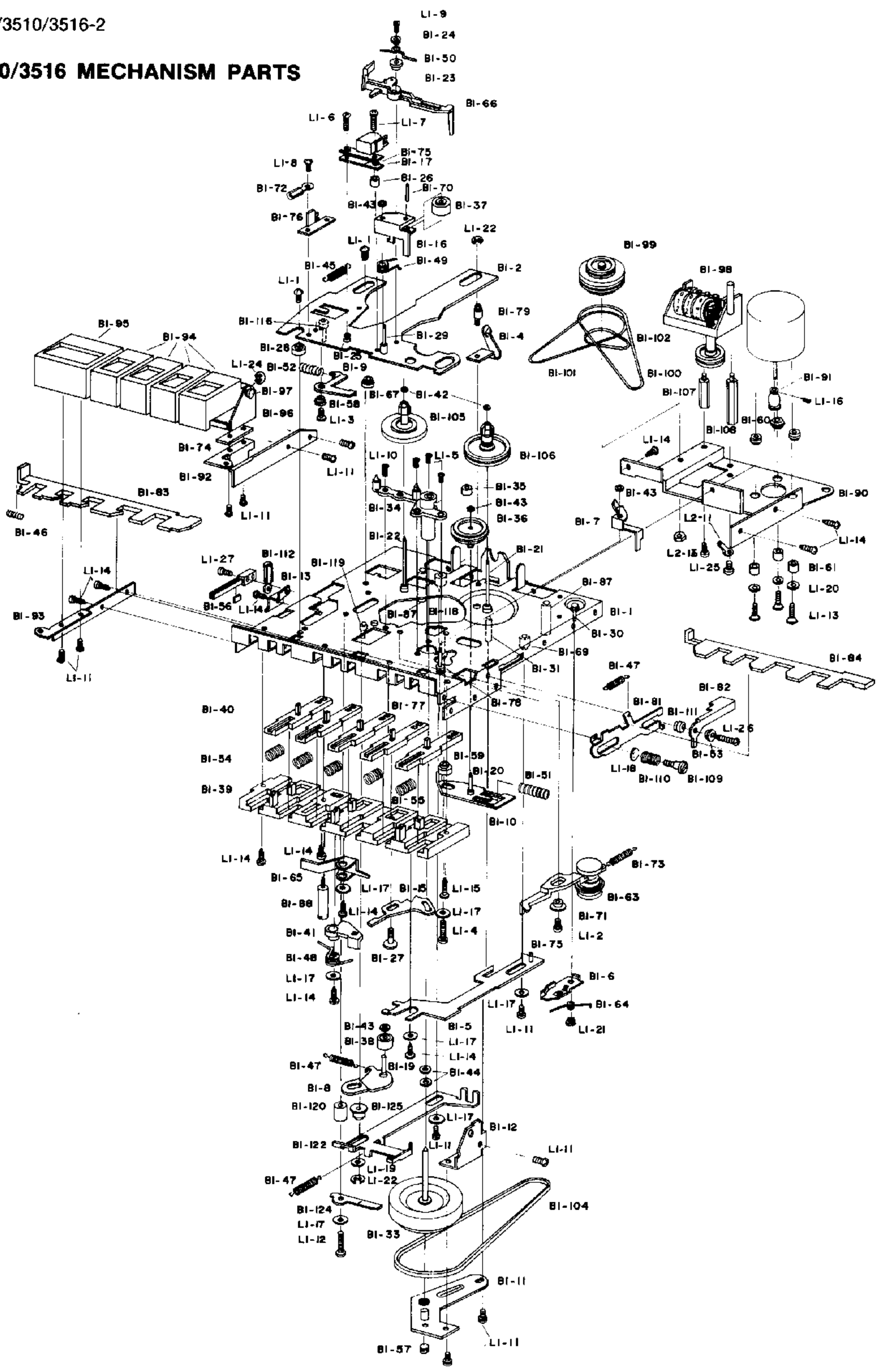
NOTE: C12, R31 are not used for model 3500.





**3500/3510/3516 CASE PARTS
TYPE II**

3500/3510/3516 MECHANISM PARTS



CASE PARTS

Ref. No.	Part No.	Description
---	634-40	Case, Complete Less Spkr. & Escutcheons
A3	625-242-1	Door, Cassette Compartment Assy.
A5	625-242-8	Cover, Battery & Cord Storage
A7	625-242-2	Handle, Case
A8	603-18	Foot, Black, Rubber
A10	625-242-7	Hinge, Battery Comp. Cover
A12/A13	625-242-9	Pivot Assy., Cassette Door
A15	619-117-2	Spring, Cassette Door, Leaf
A17	622-177-6	Escutcheon, Model No. Top, 3500
A17	622-177-7	Escutcheon, Model No. Top, 3510
A17	622-177-13	Escutcheon, Model No. Top, 3516
A18	622-177-14	Escutcheon, Lower Case, Blank, 3500/3510
A18	622-177-10	Plate, Headphone Jack, 3516
A19	603-18-3	Panel, Jack, Left Side
A20	622-177-3	Escutcheon, Functions, 3500
A20	622-177-4	Escutcheon, Functions, 3510/3516
A22	625-242-3	Knob, Volume/Tone
A26	619-117-3	Spring, Cassette Door, Toggle, Left
A27	619-117-4	Spring, Cassette Door, Toggle, Right
A28	622-177-17	Bracket, Door Spring, Left
A29	622-177-18	Bracket, Door Spring, Right
B2-25	622-177-16	Bracket, Front HP Jack Mtg., 3516
L2-1	602-66	Screw, M3x1.1x12mm
L2-2	602-66-2	Screw, M3x1.3x11
L2-6	602-66-3	Screw, M1.6x0.35x4
L2-9	628-15	Nut, Push-On, 4mm
L2-14	602-66-5	Screw, M2.6x0.45x4

MECHANISM PARTS

Ref. No.	Part No.	Description
---	630-37	Motor, DC W/Pulley
B1-8	622-177-15	Bracket, Rewind Idler
B1-10	622-177-12	Plate, Take-up Idler Pivot (use w/662-14-13)
B1-15	622-177-9	Lever, Auto Stop B
B1-17	619-117	Spring, Head Adjustment
B1-33	662-14-9	Flywheel W/Flat Belt
B1-33	662-14-21	Flywheel W/V Groove
B1-34	662-14-11	Assy., Capstan Bearing, Flat Belt (left mtg. hole not countersunk)
B1-34	662-14-14	Assy., Capstan Bearing, Flat Belt, 25mm hi (left mtg. hole is countersunk)
B1-34	662-14-22	Assy., Capstan Bearing, Square Belt, 22mm hi (left mtg. hole is countersunk)
B1-35	662-14-10	Roller, Take-up Drive
B1-36	662-14-5	Wheel, Take-up Drive, Type I, 20.5mm dia.
B1-36	662-14-13	Wheel, Take-up Drive, Type II, 22.5mm dia.
B1-37	662-14-6	Assy., Pinch Wheel
B1-38	662-14-15	Idler, Rewind
B1-39/40/ 54/55	662-14-19	Assy., Key Link
B1-42/43	616-31	Washer, Spindle Holder
B1-44	616-31-1	Washer, M2x7x0.5, Plastic
B1-45	619-117-18	Spring, Head Return
B1-46	619-117-6	Spring, Latch Plate
B1-47	619-117-9	Spring, Record Actuator
B1-48	619-117-10	Spring, Fast-Forward Apply
B1-49	619-117-5	Spring, Pinch Roller
B1-50	619-117-1	Spring, Auto Stop
B1-51	619-117-14	Spring, Take-up Idler
B1-52	619-117-15	Spring, Head Engage, Type II
B1-53	616-31-2	Washer, Shldr., Eject Lever
B1-54	619-117-7	Spring, Key Link A
B1-55	619-117-8	Spring, Key Link B
B1-57	662-14-24	Bearing, Capstan Thrust
B1-60	662-12-11	Mount, Motor
B1-63	662-14-8	Assy., FF/Rewind Drive, Flat Belt
B1-63	662-14-23	Assy., FF/Rewind Drive, Square Belt

MECHANISM PARTS (cont'd)

Ref. No.	Part No.	Description
B1-64	619-117-17	Spring, Pause Interlock, 3510/3516
B1-66	603-18-2	Lever, Auto Stop A
B1-73	619-117-12	Spring, FF/Rewind Drive
B1-81	622-177-11	Link, Eject A
B1-83	662-14-16	Plate, Key Latch, Lower, 3500
B1-83	662-14-17	Plate, Key Latch, Lower, 3510/3516
B1-84	662-14-18	Plate, Power Switch Actuate, Upper
B1-91	601-59	Pulley, Motor, Flat Belt
B1-91	601-59-1	Pulley, Motor W/V Groove
B1-94	625-242-4	Key, Gray
B1-95	625-242-6	Key, Double
B1-98	662-14-12	Counter, Minutes & Seconds
B1-99	62-234	Differential, Counter Drive
B1-100	662-14	Belt, Diff. Take-up
B1-101	662-14-2	Belt, Diff. Supply
B1-102	662-14-1	Belt, Counter
B1-104	662-14-7	Belt, Drive, Flat
B1-104	662-14-20	Belt, Drive, Square
B1-105	662-14-3	Spindle, Supply Assy.
B1-106	662-14-4	Spindle, Take-up Assy.
B1-109	602-66-4	Screw, M2.6x0.45x10
B1-110	619-117-13	Spring, Eject Lever
B2-5	610-8	Terminal, Battery W/BD Outer
B2-6	610-8-1	Terminal, Battery W/BD Inner
L1-16	602-66-1	Screw, M2x0.4x3
L1-24	625-242-10	Ring, E, M5

ELECTRONIC PARTS

Ref. No.	Part No.	Description
---	607-278-1	Assy., P.C. Board, Amplifier, Type I
---	607-278-5	Assy., P.C. Board, Amplifier, Type II
---	27-324	Cord, AC
---	17-410	Diode, SR 1K-2/IN4000
---	617-201-3	Diode, KB-269
---	617-201-4	Diode, MA-26
---	617-201-5	Diode, Zener, UZ-6.8B
---	615-3	Head, Play
---	622-177-19	Heatsink, Type II
---	628-12	Nut, 1/4" Jack
VR1, 2	613-174-3	Pot., Volume/Tone, 10K
---	620-21	Speaker
---	613-174-2	Switch, Power
---	618-156-2	Transformer, Audio Drive
---	618-156-1	Transformer, Audio Output, Type I
---	618-156-7	Transformer, Audio Output, Type II
---	618-156	Transformer, Power, Type I
---	618-156-4	Transformer, Power, Type II
---	18-466	Transformer, Power, 220V
---	617-201-9	Transistor, 2SB324
---	617-201	Transistor, 2SC790 O Y
---	617-201-7	Transistor, 2SC828 Q R S
---	617-201-6	Transistor, 2SC828 S
---	617-201-2	Transistor, 2SC1327 S T
---	617-201-11	Transistor, 2SC1327 S T U
---	617-201-1	Transistor, 2SC1518 R
---	617-201-8	Transistor, 2SD468 C

JACKS

	PC Lugs & Std. Thread	Solder Lugs & 9mm Thread	Solder Lugs & 12mm Thread
Aux Out/HP Ext. Spkr. (6.4mmØ)	629-64-4	629-61	629-64-5