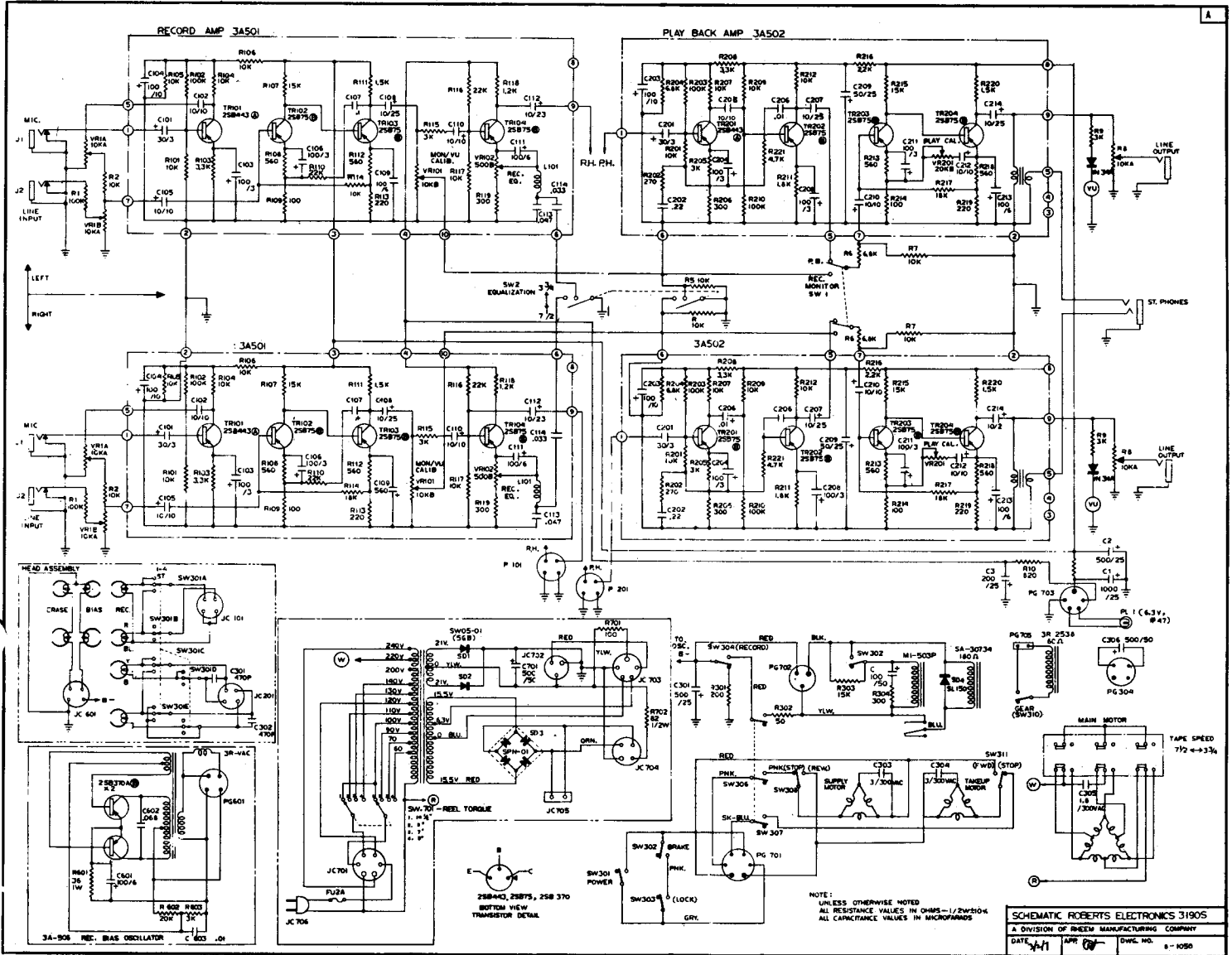
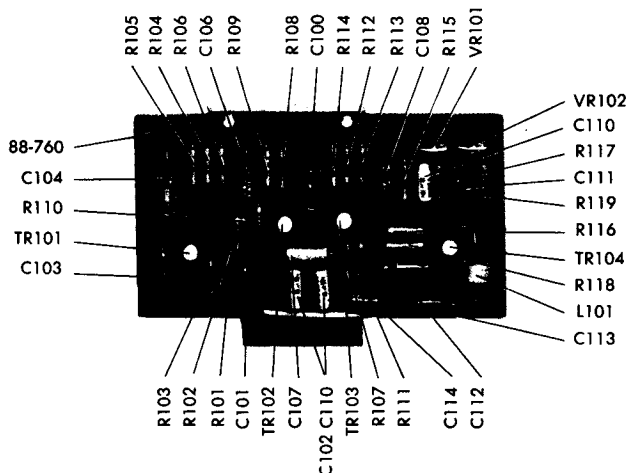




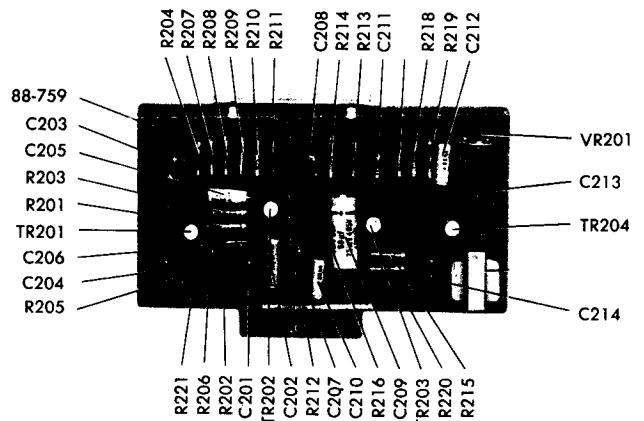
MODELS 3190F, 3190H, 3190S & 3190X



SCHMATIC, MODEL 3190S (STEREO)

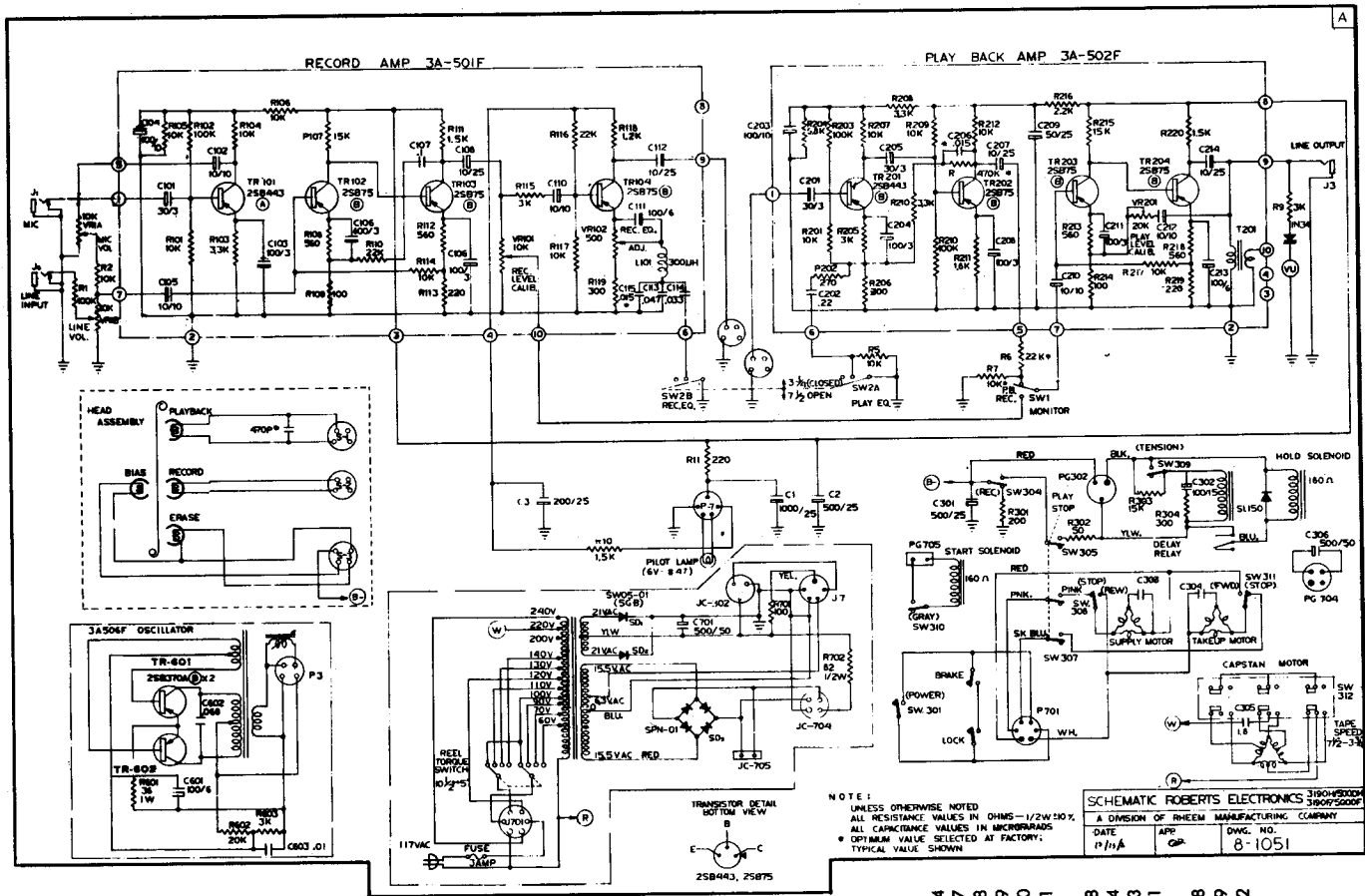


RECORD PRE-AMPLIFIER, 3A-502



PLAYBACK PRE-AMPLIFIER, 3A-501

SCHEMATIC, MODEL 3190 H & F (MONAURAL)



NOTE: UNLESS OTHERWISE NOTED, ALL RESISTANCE VALUES IN OHMS - 1/2W, 50%. ALL CAPACITANCE VALUES IN MICROGRADS. * OPTIMUM VALUE, SELECTED AT FACTORY. TYPICAL VALUE SHOWN.

S. SCHEMATIC ROBERTS ELECTRONICS 3190H/3190F
A DIVISION OF RHEEM MANUFACTURING COMPANY
DATE: 1/1/64 APP: DWG. NO.: 8-1051

