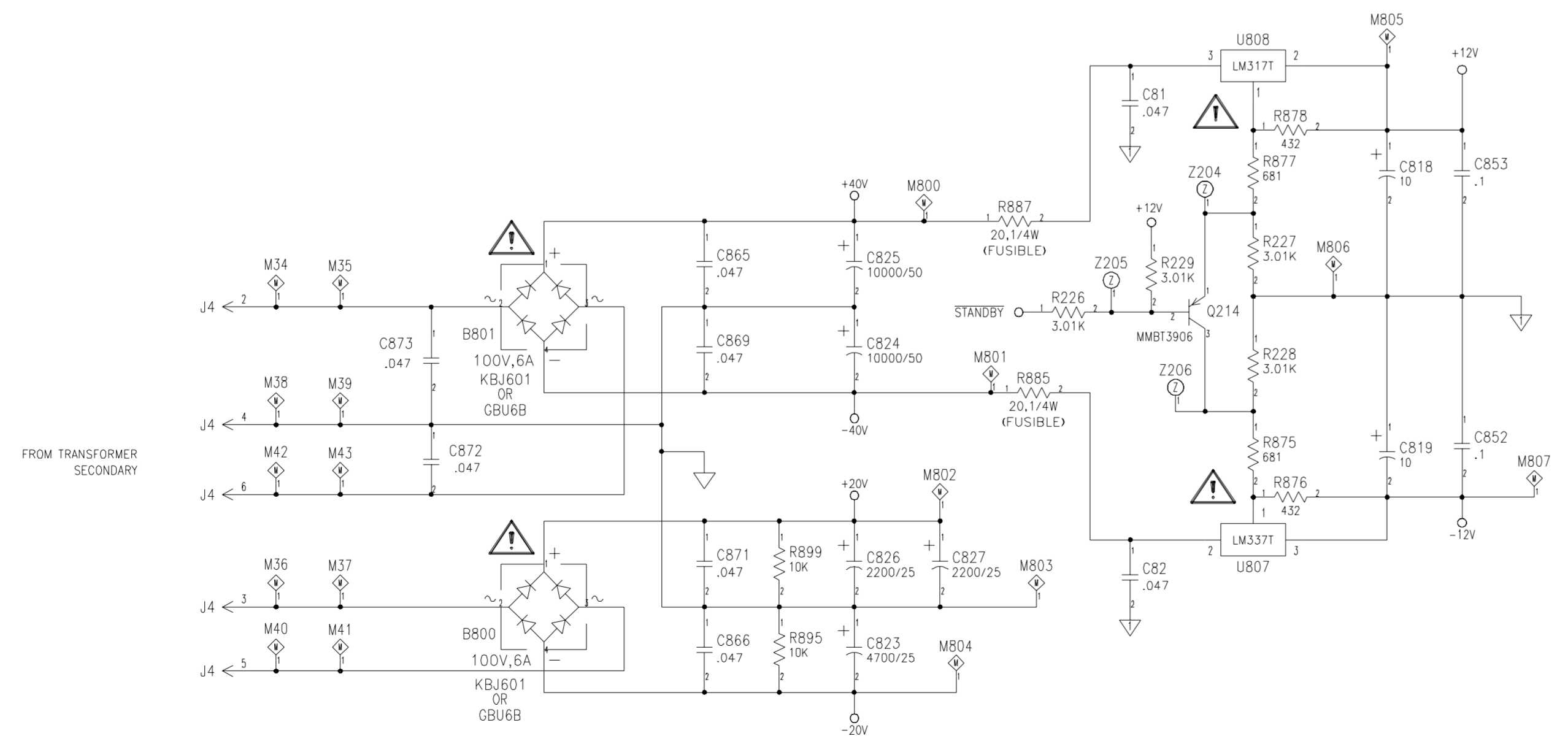
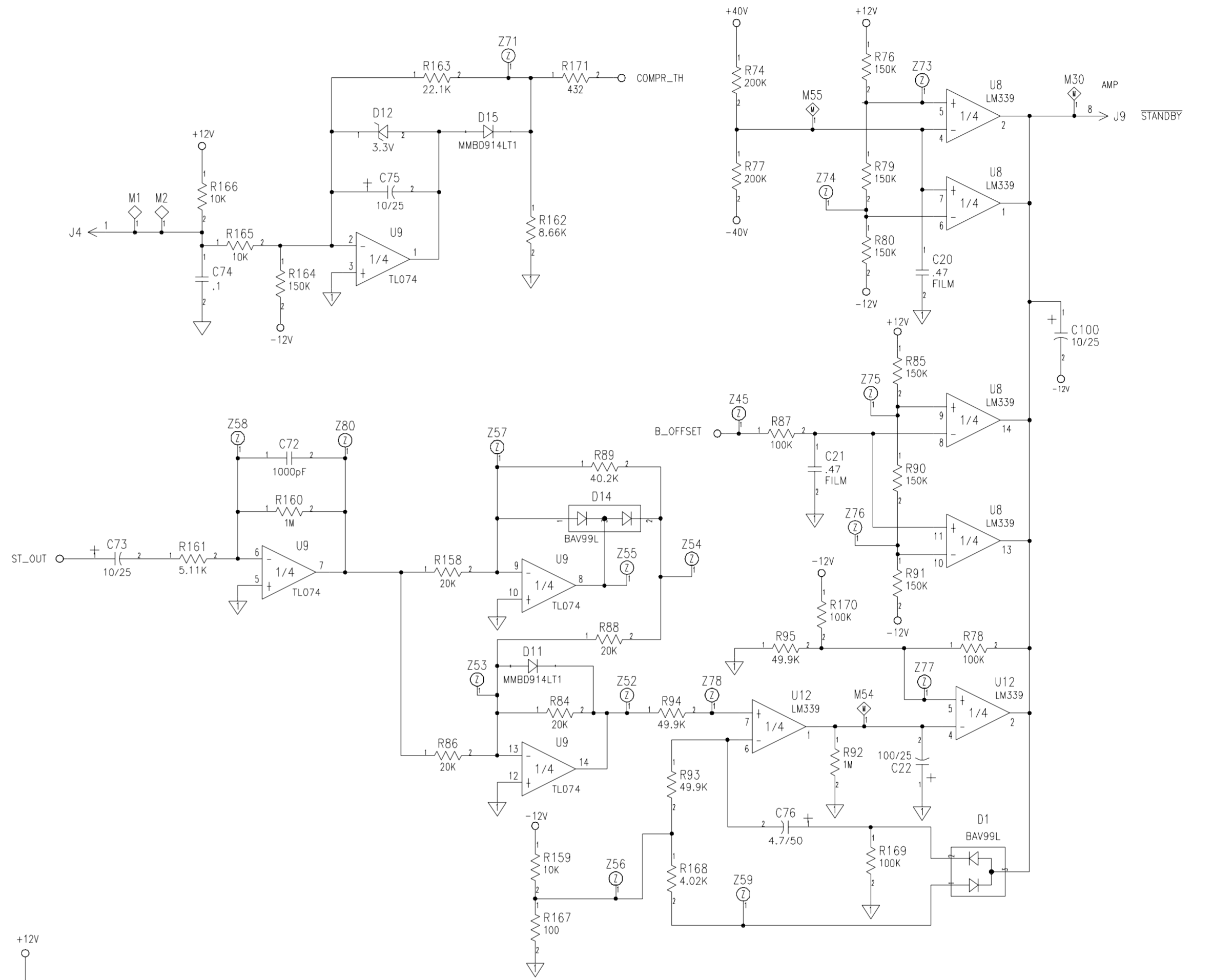
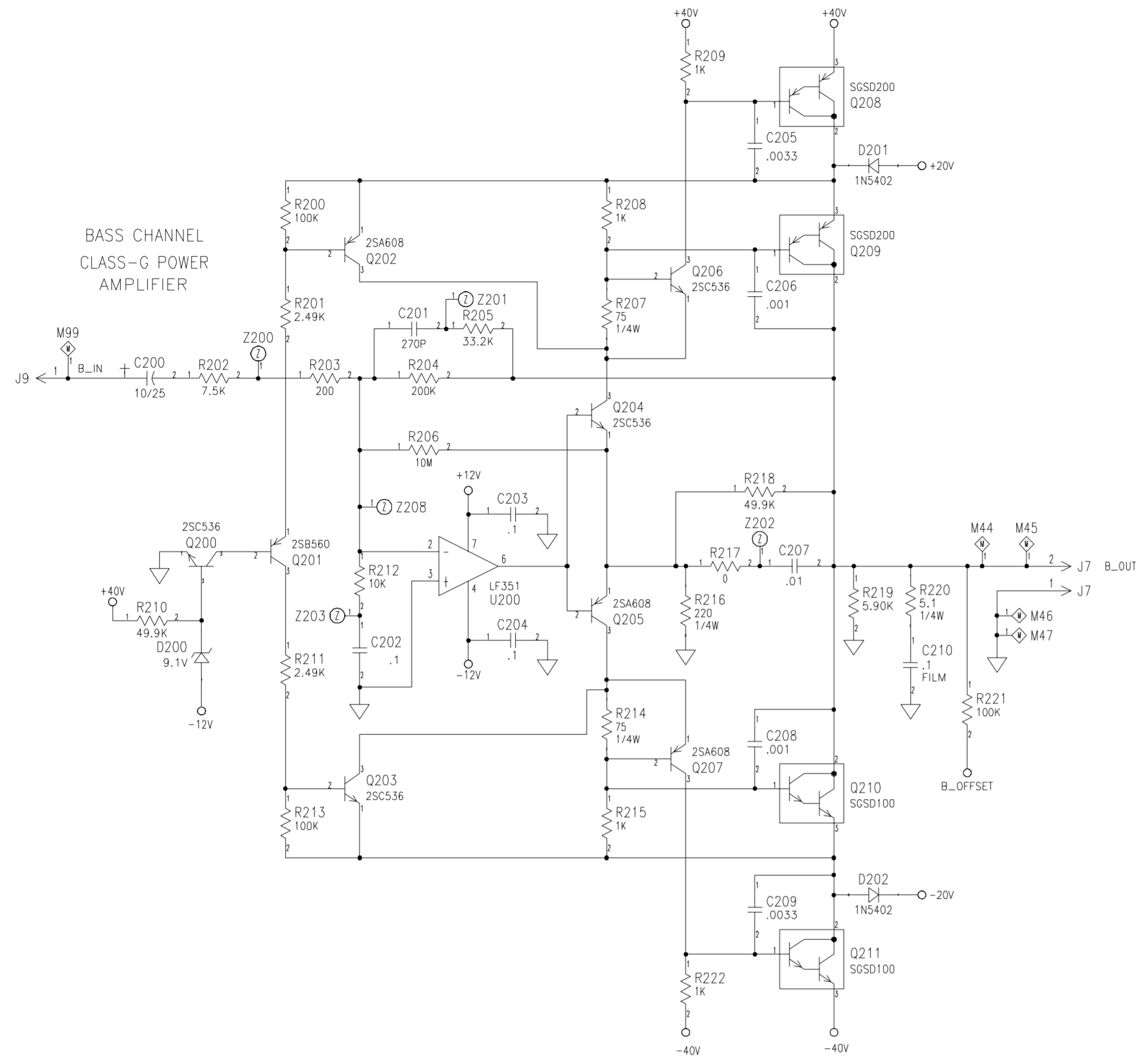


CLASS	DWG NO.	SR	REVISIONS				
SD	194259	1	REV	DESCRIPTION	CHK	ENG	DATE
			01	REVISED PER ECN # 24193	BB	BC	06-02-98
			02	REVISED PER ECN # 24197	BB	BC	06-08-98
			03	REVISED PER ECN # 24524	BB	BC	08-07-98

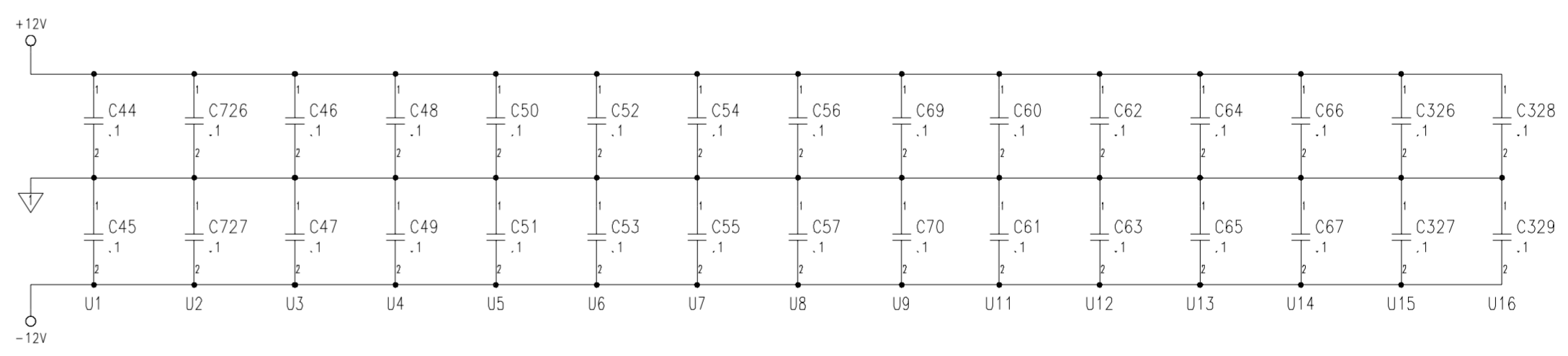
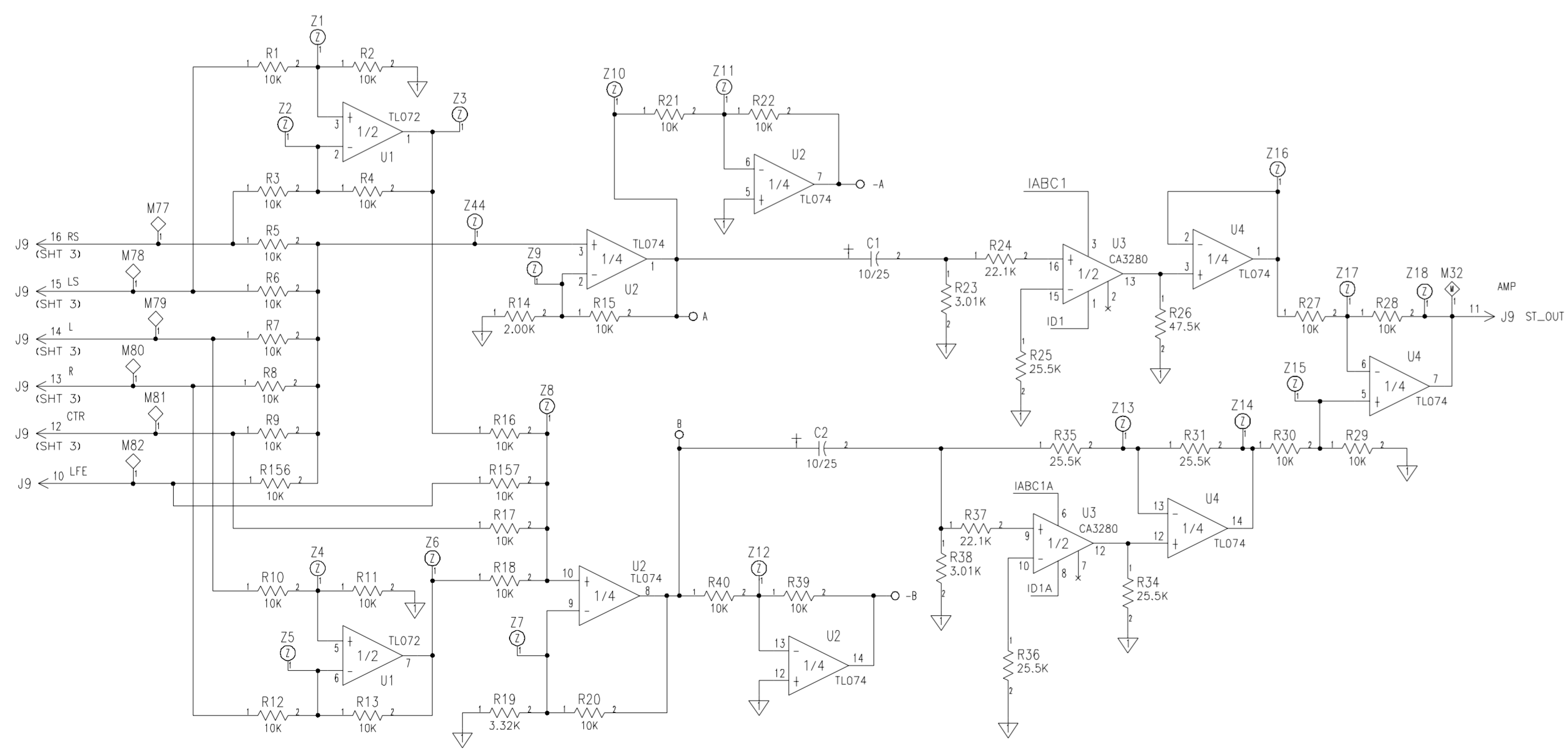
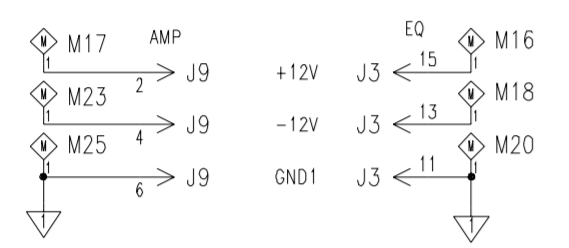
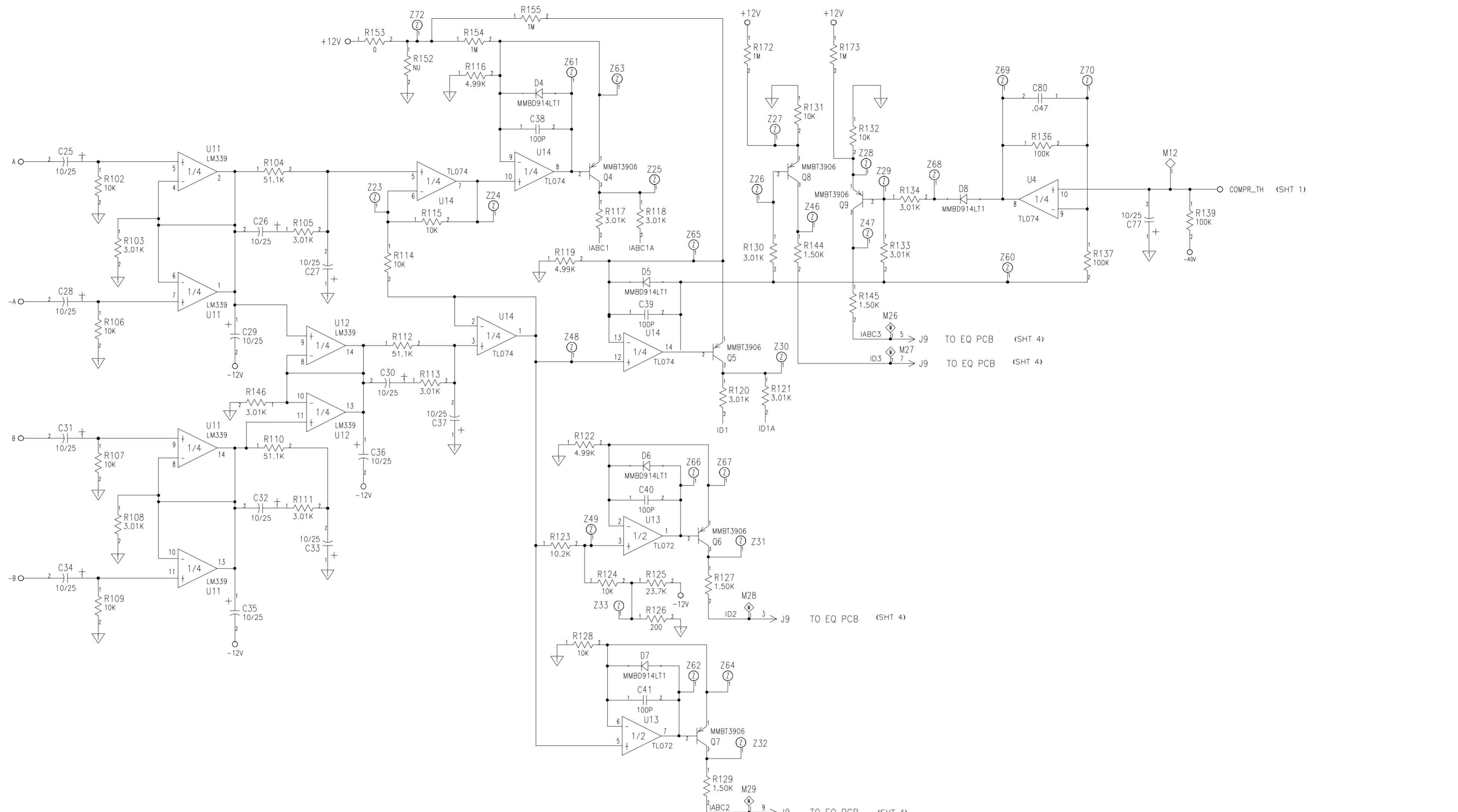


- NOTES:
 UNLESS OTHERWISE SPECIFIED:
 1. ALL RESISTORS ARE EXPRESSED IN OHMS.
 2. ALL CAPACITORS ARE EXPRESSED IN MICROFARADS.
 3. ALL CAPACITORS ARE CERAMIC CHIPS.
 4.
 5. \diamond DENOTES TEST POINTS FOR M.E.T.S.
 6. US VERSION: INSTALL Y2 AND Y3.
 EURO VERSION: INSTALL Y4, DO NOT INSTALL Y2 AND Y3.
 7. CA3280 PIN 4 = -12V, PINS 11 & 14 = +12V.
 8. LM339 PIN 3 = +12V, PIN 12 = -12V.
 9. TL072 PIN 4 = -12V, PIN 8 = +12V, TL074 PIN 4 = +12V, PIN 11 = -12V.
 10. F1 = 3.0A FOR U.S. VERSION.
 F1 = 1.6A FOR EURO VERSION

THIS DRAWING IS BASED ON P-CAD DATA ALL CHANGES MUST BE MADE USING THE P-CAD FILES ATTACHED TO MD194259.

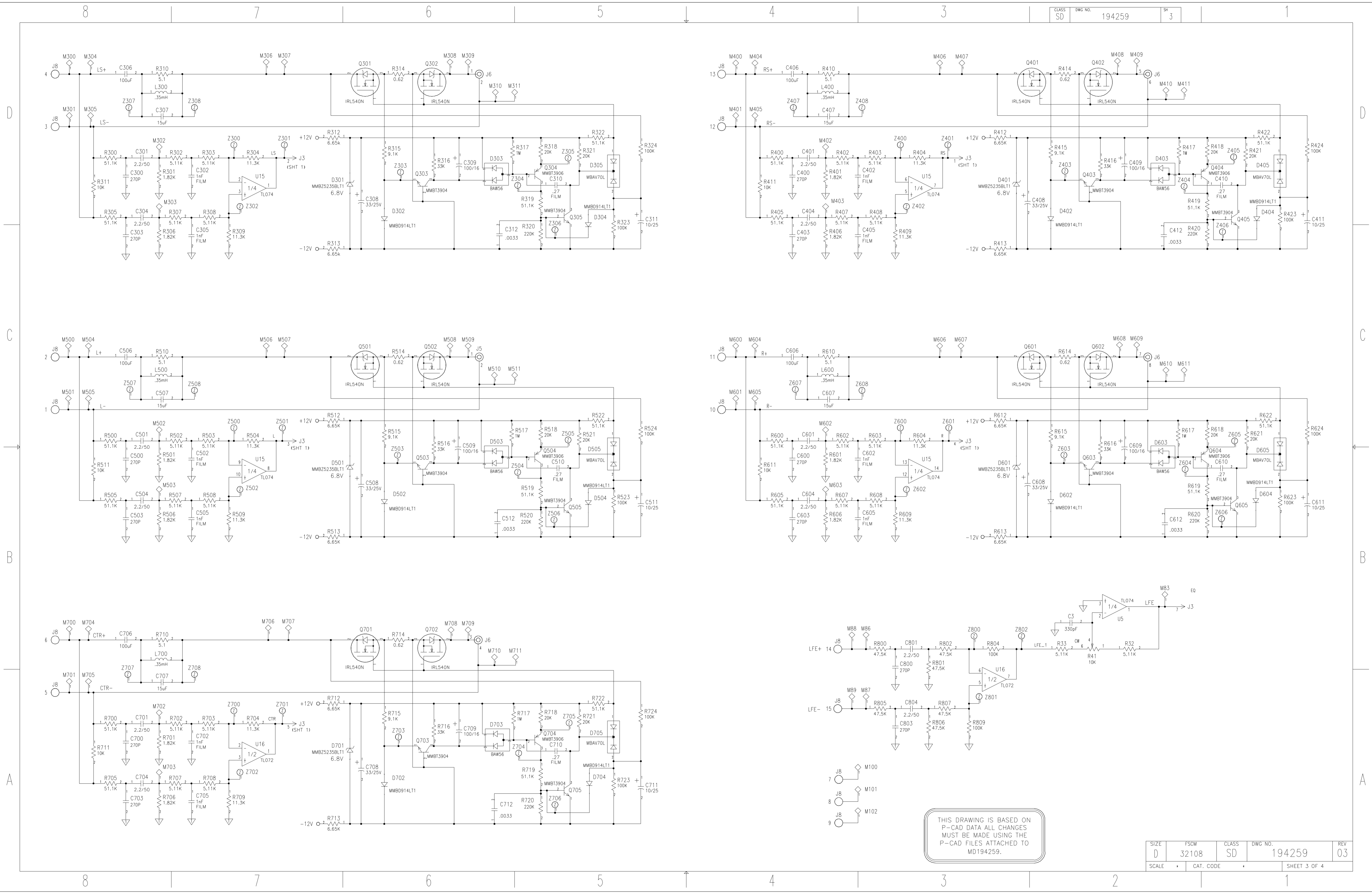
THIRD ANGLE PROJECTION	LEVEL	DRAFTER	DATE
	3		05/05/98
UNLESS OTHERWISE SPECIFIED INTERPRET THIS DRAWING PER ANSI Y14.3M-1982	2	CHECKER	05/06/98
NOTICE	1	ENGINEER	05/06/98
BOSE CORP. PROPRIETARY RIGHTS ARE INCLUDED HEREIN. THIS INFORMATION MAY NOT BE COPIED, TRANSFERRED, OR DISCLOSED EXCEPT AS AUTHORIZED BY BOSE CORP.		SAFETY ENGINEER	05/06/98
		REL TO PROD PER	9/8/98
		NDR828	AT REV 03

SAFETY CONTROLLED				
FRAMINGHAM, MA 01701-9168				
TITLE				
PC BOARD, AM15				
SIZE	FSCM	CLASS	DWG NO.	REV
D	32108	SD	194259	03
SCALE	N A	CAT. CODE	SHEET 1 OF 4	



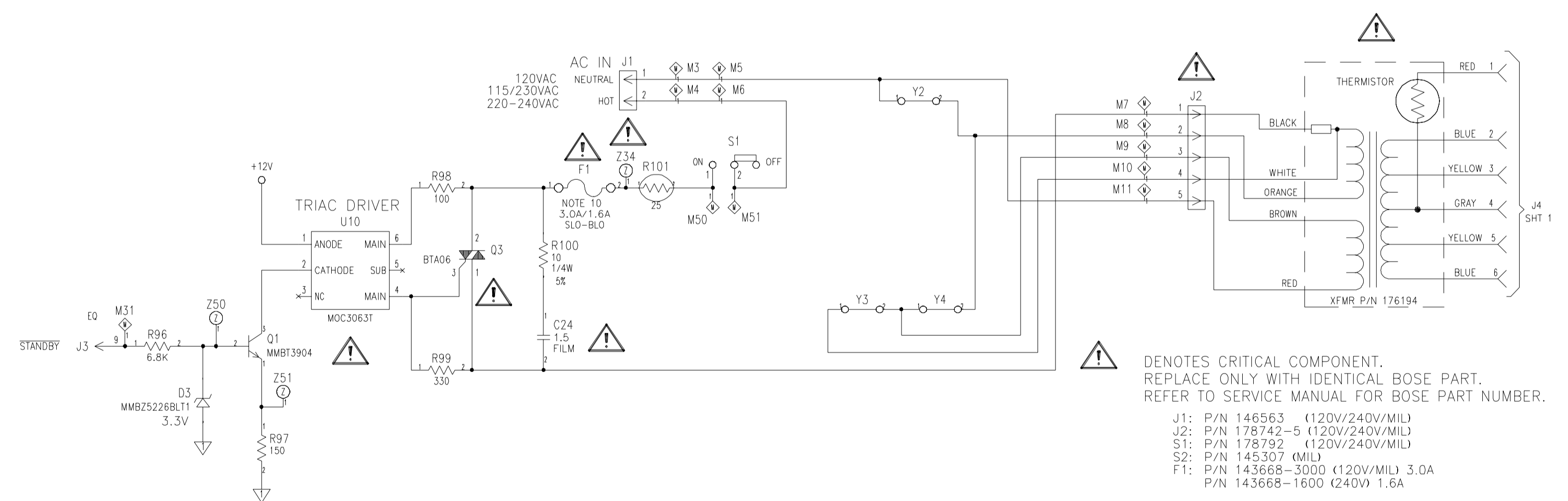
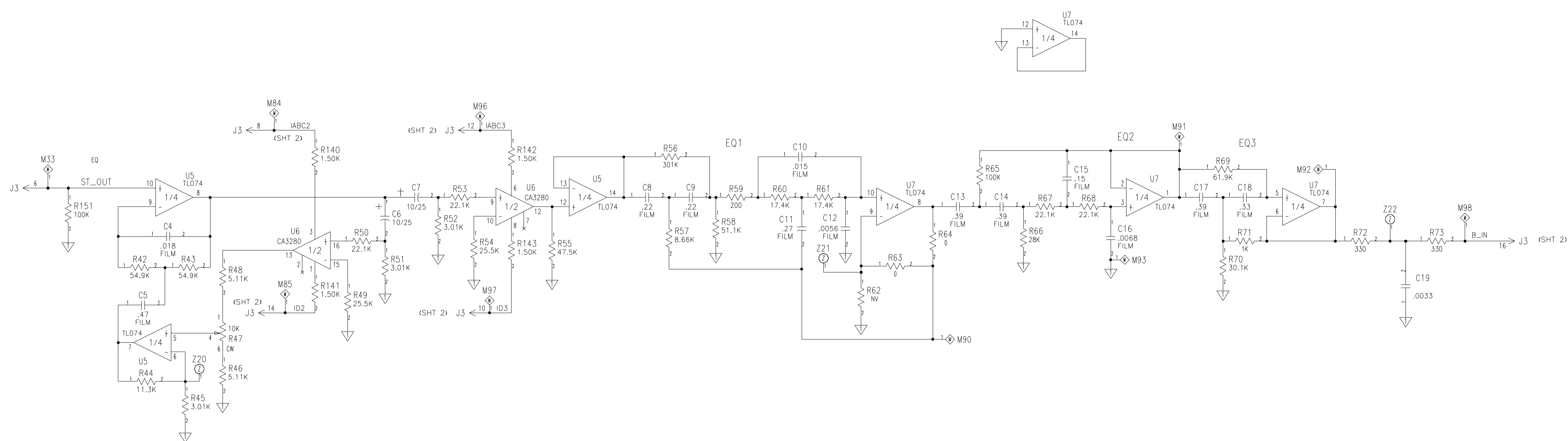
THIS DRAWING IS BASED ON P-CAD DATA ALL CHANGES MUST BE MADE USING THE P-CAD FILES ATTACHED TO MD194259.

SIZE D	FSCM 32108	CLASS SD	DWG NO. 194259	REV 03
SCALE	CAT. CODE		SHEET 2 OF 4	



THIS DRAWING IS BASED ON P-CAD DATA ALL CHANGES MUST BE MADE USING THE P-CAD FILES ATTACHED TO MD194259.

SIZE	FSCM	CLASS	DWG NO.	REV
D	32108	SD	194259	03
SCALE	CAT. CODE		SHEET 3 OF 4	



THIS DRAWING IS BASED ON P-CAD DATA ALL CHANGES MUST BE MADE USING THE P-CAD FILES ATTACHED TO MD194259.

SIZE	FSCM	CLASS	DWG NO.	REV
D	32108	SD	194259	03
SCALE	CAT. CODE	SHEET 4 OF 4		