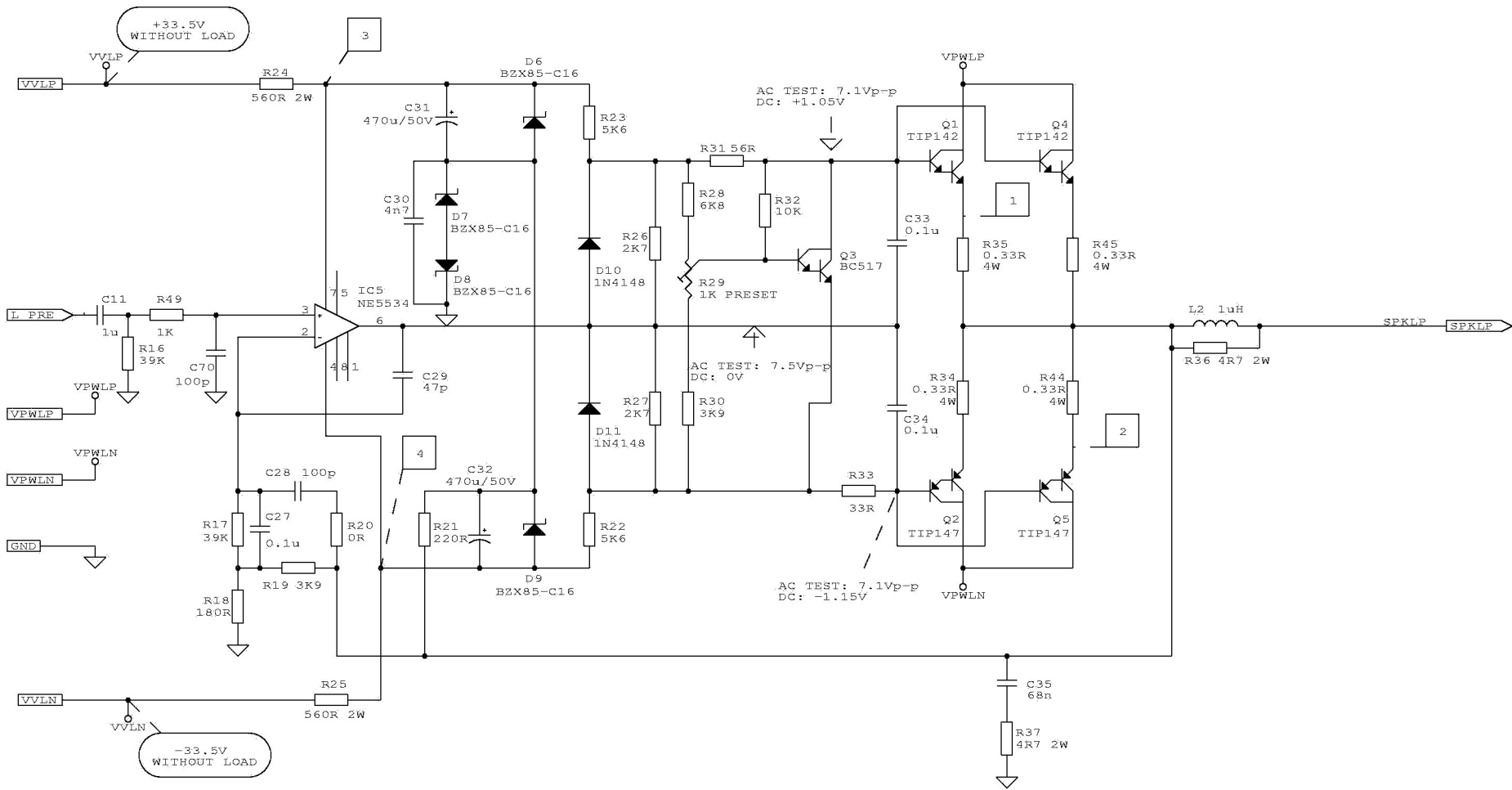


LEFT CHANNEL POWER AMP



LEFT CHANNEL PRE-AMP

