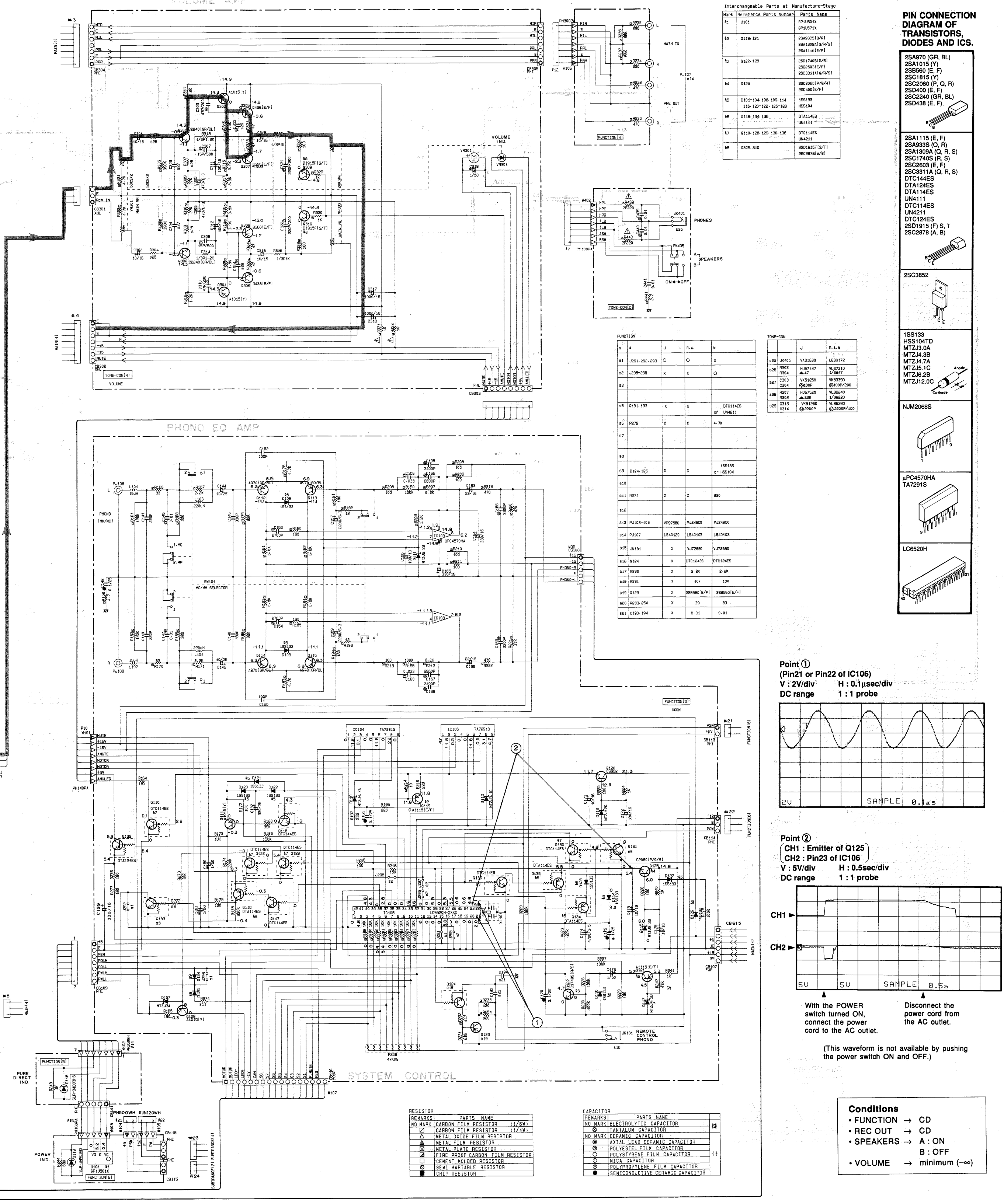
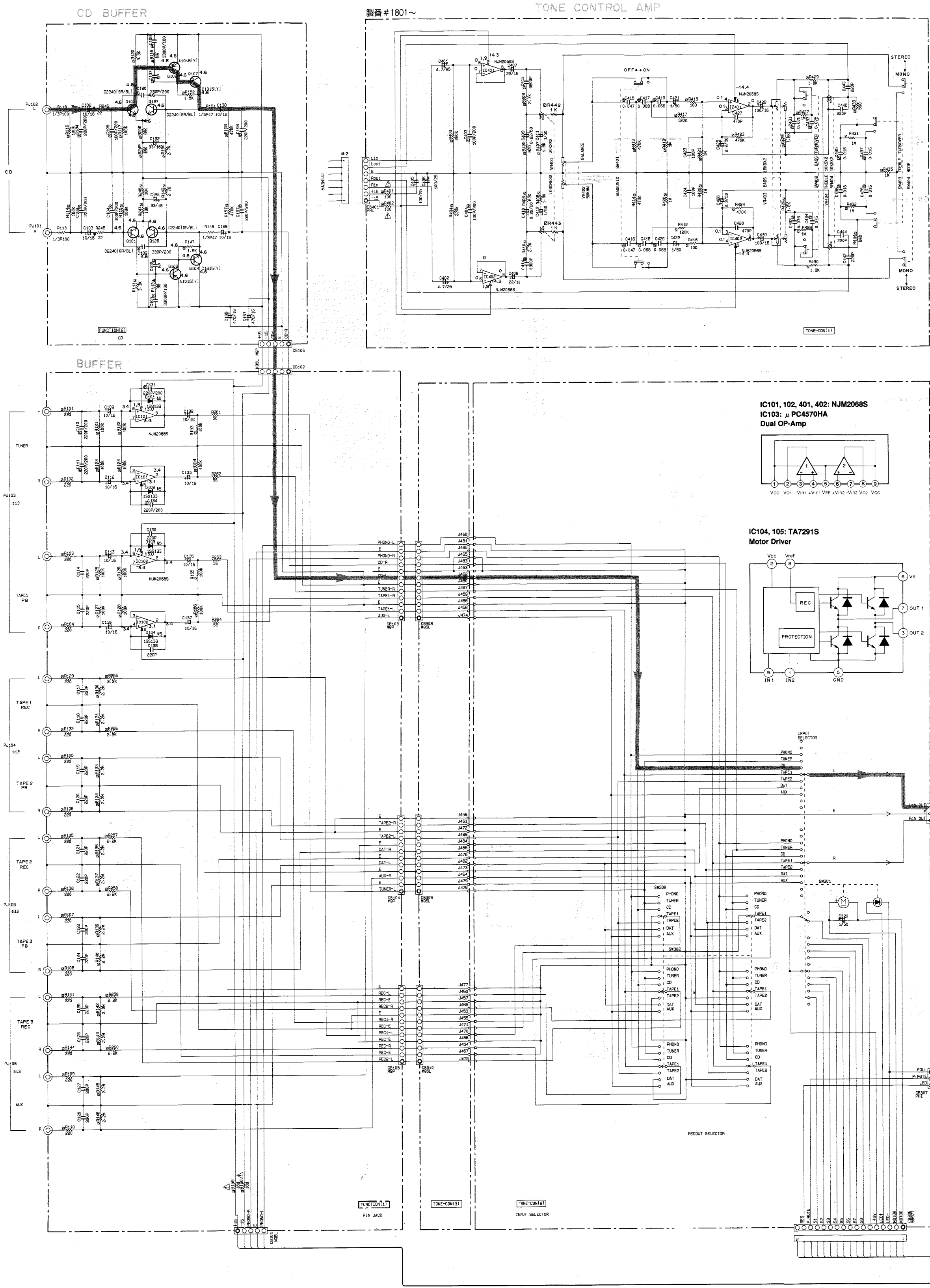


■ SCHEMATIC DIAGRAM (FUNCTION & TONE-CON)



Interchangeable Parts at Manufacture-Stage

Part No.	Reference Part No.	Part Name
1	0105-021	0105-021
2	0105-021	0105-021
3	0105-021	0105-021
4	0105-021	0105-021
5	0105-021	0105-021
6	0105-021	0105-021
7	0105-021	0105-021
8	0105-021	0105-021
9	0105-021	0105-021
10	0105-021	0105-021
11	0105-021	0105-021
12	0105-021	0105-021
13	0105-021	0105-021
14	0105-021	0105-021
15	0105-021	0105-021
16	0105-021	0105-021
17	0105-021	0105-021
18	0105-021	0105-021
19	0105-021	0105-021
20	0105-021	0105-021

PIN CONNECTION DIAGRAM OF TRANSISTORS, DIODES AND ICs.

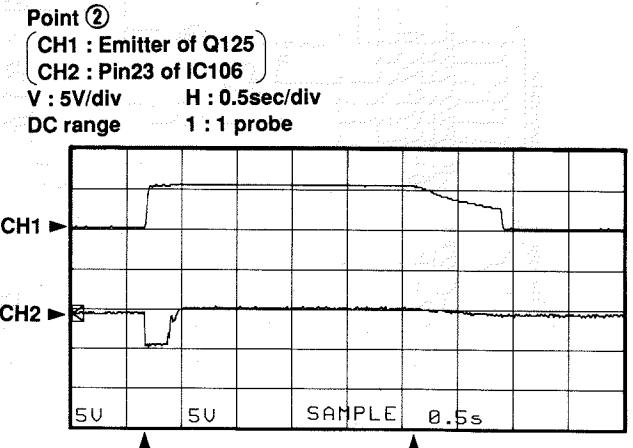
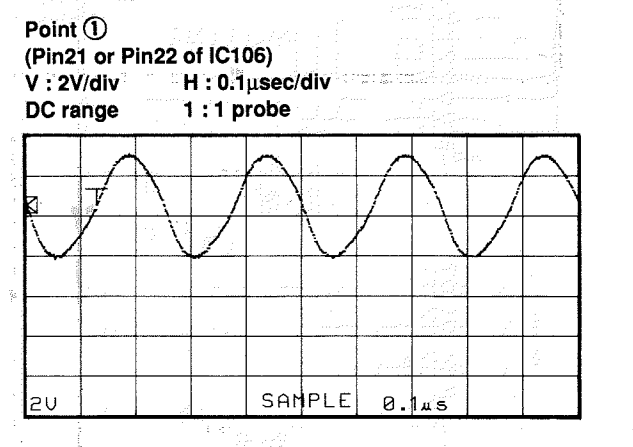
TRANSISTORS: 2SA4970 (GR, BU), 2SA1015 (Y), 2SB560 (E, F), 2SC1815 (T), 2SA1008A (Q, R, S), 2SC1740S (R, S), 2SC2693 (E, F), DT144ES, DT142ES, DT141ES, UM111, DT114ES, UM111, DT124ES, 2SC1911A (P, S, T), 2SC2878 (A, B).

DIODES: 1SS133, H5S104TD, MTZJ4.0A, MTZJ4.0B, MTZJ4.7A, MTZJ5.1C, MTZJ6.2B, MTZJ12.0C.

ICs: NJM2068S, μ PC4570HA, TA7291S, LC6520H.

FUNCTION

FUNCTION	PHONO	TUNER	CD	TAPE 1	TAPE 2	TAPE 3	AUX	REC. SELECTOR	INPUT SELECTOR
1									
2									
3									
4									
5									
6									
7									
8									
9									
10									
11									
12									
13									
14									
15									
16									
17									
18									
19									
20									
21									
22									
23									
24									
25									
26									
27									
28									
29									
30									
31									
32									
33									
34									
35									
36									
37									
38									
39									
40									
41									
42									



With the POWER switch turned ON, connect the power cord to the AC outlet.
 Disconnect the power cord from the AC outlet.
 (This waveform is not available by pushing the power switch ON and OFF.)

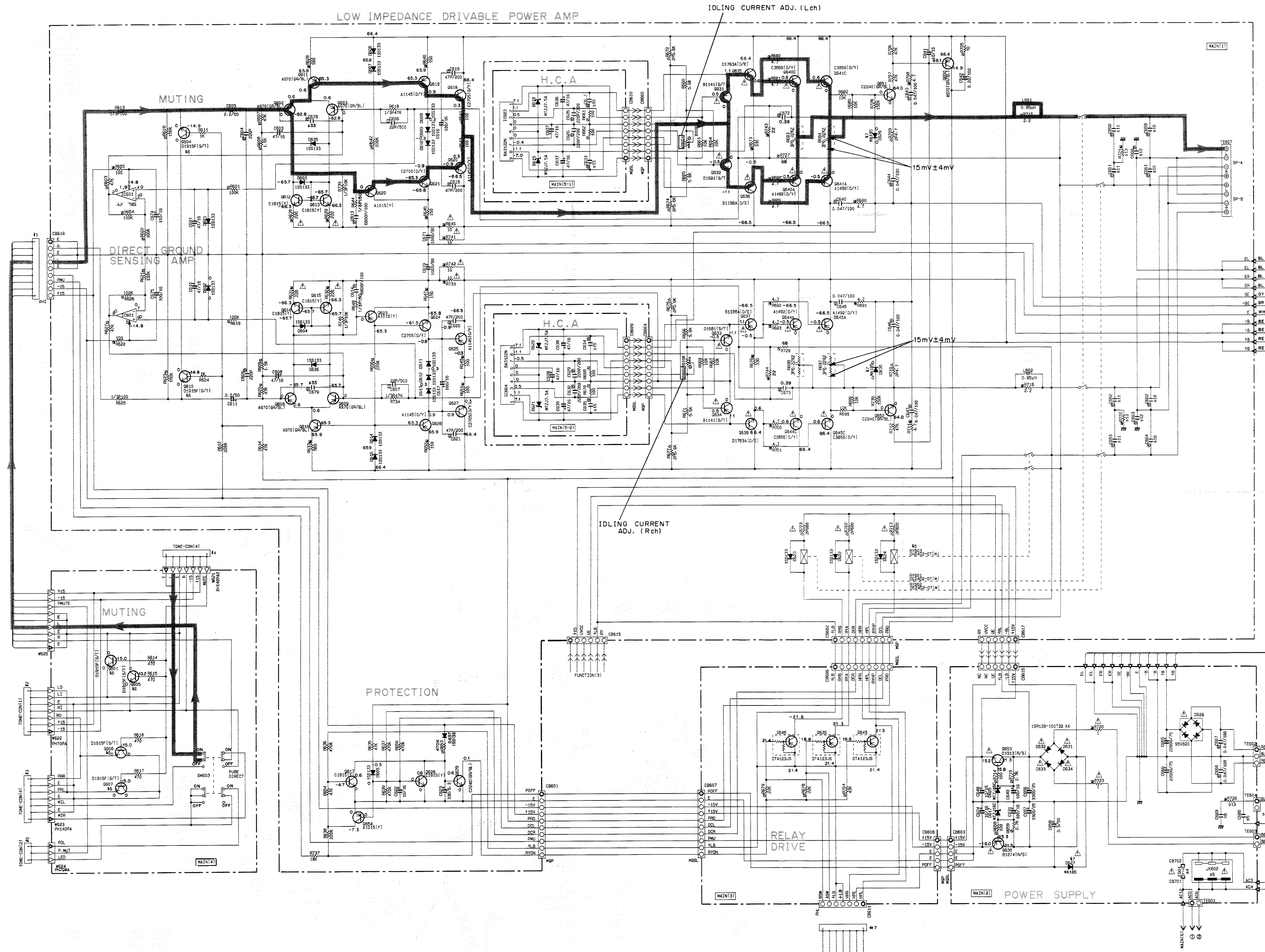
- Conditions**
- FUNCTION → CD
 - REC OUT → CD
 - SPEAKERS → A: ON
 - VOLUME → minimum (∞)

Selector Position Data (INPUT)

IC106 PIN NO.										FUNCTION
3	4	5	6	7	8	9	10			
1	1	0	0	0	0	0	0			PHONO
0	1	0	0	0	0	0	0			TUNER
0	0	1	0	0	0	0	0			CD
0	0	0	1	0	0	0	0			TAPE 1
0	0	0	0	1	0	0	0			TAPE 2
0	0	0	0	0	1	0	0			AUX
0	0	0	0	0	0	1	1			TAPE 3

All voltage are measured with a 10M Ω VV DC electric volt meter.
 Components having special characteristics are marked Δ and must be replaced with parts having specifications equal to those originally installed.
 Schematic diagram is subject to change without notice.

SCHEMATIC DIAGRAM (MAIN & SUB-TRANS)



MAIN					SUB-TRN				
Q	R	S	T	U	Q	R	S	T	U
Q1	Q2	Q3	Q4	Q5	Q6	Q7	Q8	Q9	Q10
Q11	Q12	Q13	Q14	Q15	Q16	Q17	Q18	Q19	Q20
Q21	Q22	Q23	Q24	Q25	Q26	Q27	Q28	Q29	Q30
Q31	Q32	Q33	Q34	Q35	Q36	Q37	Q38	Q39	Q40
Q41	Q42	Q43	Q44	Q45	Q46	Q47	Q48	Q49	Q50
Q51	Q52	Q53	Q54	Q55	Q56	Q57	Q58	Q59	Q60
Q61	Q62	Q63	Q64	Q65	Q66	Q67	Q68	Q69	Q70
Q71	Q72	Q73	Q74	Q75	Q76	Q77	Q78	Q79	Q80
Q81	Q82	Q83	Q84	Q85	Q86	Q87	Q88	Q89	Q90
Q91	Q92	Q93	Q94	Q95	Q96	Q97	Q98	Q99	Q100

RESISTOR

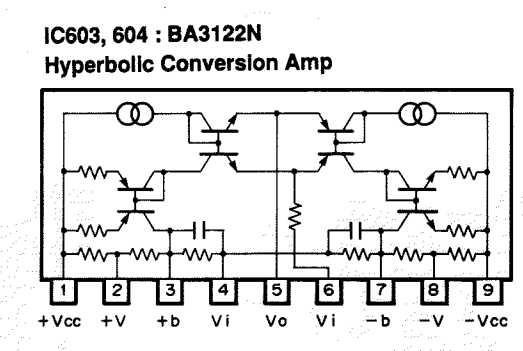
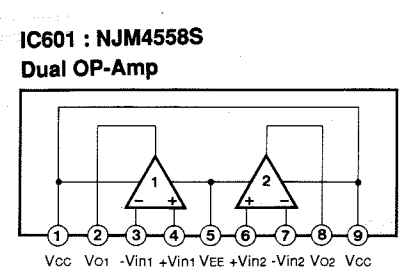
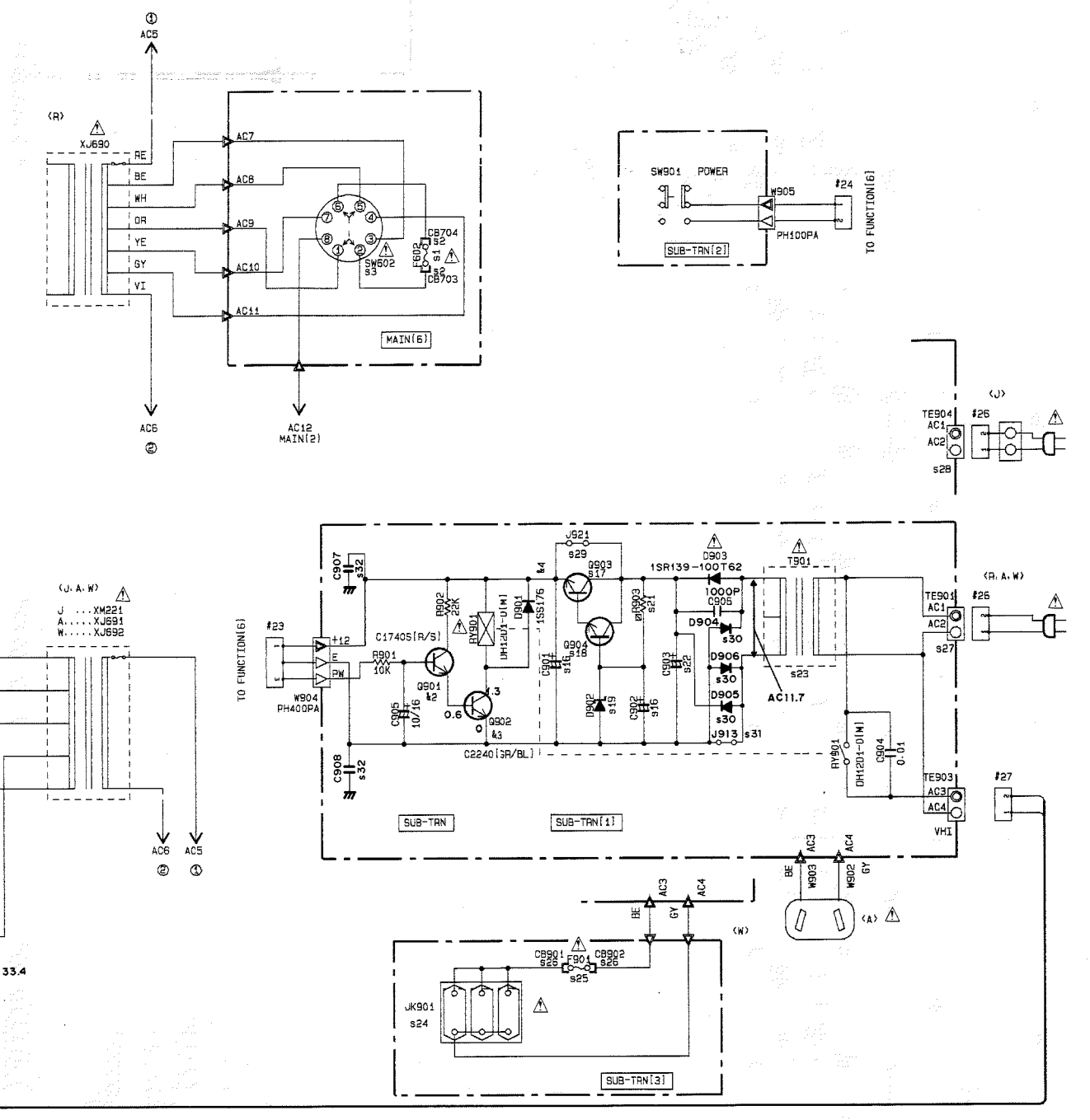
REMARKS	PARTS NAME
NO MARK	CARBON FILM RESISTOR (1/2W)
△	CARBON FILM RESISTOR (1/4W)
□	METAL OXIDE FILM RESISTOR
◇	METAL FILM RESISTOR
○	METAL PLATE RESISTOR
●	FINE PROF CARBON FILM RESISTOR
⊙	CEMENT WOUND RESISTOR
⊕	SEMI-VARIABLE RESISTOR
⊖	CHIP RESISTOR

CAPACITOR

REMARKS	PARTS NAME
NO MARK	ELECTROLYTIC CAPACITOR
○	TANTALUM CAPACITOR
□	NO MARK CERAMIC CAPACITOR
●	AXIAL LEAD CERAMIC CAPACITOR
◇	POLYESTER FILM CAPACITOR
○	POLYSTYRENE FILM CAPACITOR
○	MICA CAPACITOR
○	POLYPROPYLENE FILM CAPACITOR
●	SEMICONDUCTIVE CERAMIC CAPACITOR

Interchangeable Parts at Manufacture Stage

Mark	Interchange Parts Number	Parts Name
Q1	Q001	2SC1740B(R/S)
Q2	Q002	2SC2908(R/S)
Q3	Q003	2SC2908(R/S)
Q4	Q004	1S817B
Q5	Q005	D10422-OT1W
Q6	Q006	2SD1951F(R/S)
Q7	Q007	2SD1951F(R/S)
Q8	Q008	2SD1951F(R/S)
Q9	Q009	2SD1951F(R/S)
Q10	Q010	2SD1951F(R/S)



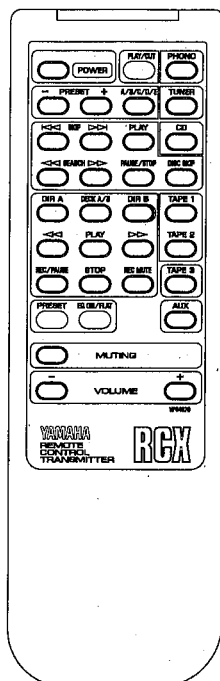
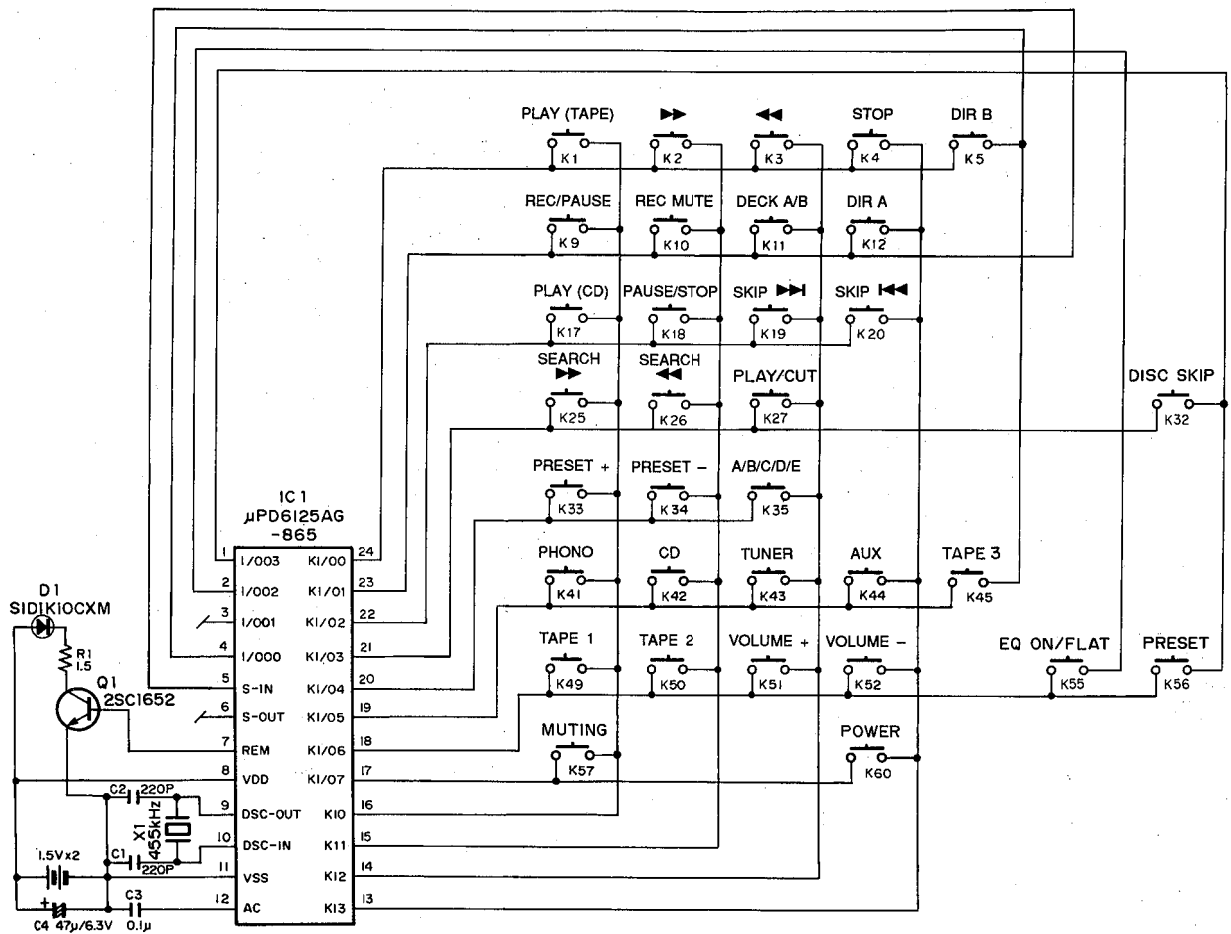
PIN CONNECTION DIAGRAM OF TRANSISTORS, DIODES AND ICs.

2SC1740B(R,S) 2SC2605(E,F) 2SC331A(Q,R,S) 2SD1915(F,S,T) 2SC2878(A,B) DTA123LS	2SC2240(OR,BL) 2SC2908(S,T) 2SC331A(Q,R,BL) 2SD1915(F,S,T) 2SA1145(O,Y) 2SC1815(V) 2SC2726(O,Y)	2SC2577(O,P,Y) 2SA1492(O,Y) 2SC3856(O,Y)	2SB1274(R,S) 2SB1186A(D,E) MA105 2SD1763A(D,E)	2SB1141(S,T) 2SD1681(S,T)	ISS176 ISS133 ISR139-100 MA105 ISS146 MTZ17.5A MTZ17.5A MTZ16.0C	SSV820	NJM4558S	BA3122N
---	---	--	---	------------------------------	---	--------	----------	---------

All voltage are measured with a 10MΩ/V DC electric volt meter.
Components having special characteristics are marked △ and must be replaced with parts having specifications equal to those originally installed.
Schematic diagram is subject to change without notice.

REMOTE CONTROL TRANSMITTER

■ SCHEMATIC DIAGRAM



Key No.	CUSTOM (HEX)	DATA (HEX)	FUNCTION	Key No.	CUSTOM (HEX)	DATA (HEX)	FUNCTION
1	7A	00	PLAY (TAPE)	33	7A	10	PRESET + (TUNER)
2	7A	01	◀◀ (TAPE)	34	7A	11	PRESET - (TUNER)
3	7A	02	▶▶ (TAPE)	35	7A	12	A/B/C/D/E (TUNER)
4	7A	03	STOP (TAPE)	41	7A	14	PHONO (INPUT)
5	7A	40	DIR B (TAPE)	42	7A	15	CD (INPUT)
9	7A	04	REC/PAUSE (TAPE)	43	7A	16	TUNER (INPUT)
10	7A	05	REC MUTE (TAPE)	44	7A	17	AUX (INPUT)
11	7A	06	DECK A/B (TAPE)	45	7A	54	TAPE 3 (INPUT)
12	7A	07	DIR A (TAPE)	49	7A	18	TAPE 1 (INPUT)
17	7A	08	PLAY (CD)	50	7A	19	TAPE 2 (INPUT)
18	7A	09	PAUSE/STOP (CD)	51	7A	1A	VOLUME +
19	7A	0A	SKIP ▶▶ (CD)	52	7A	1B	VOLUME -
20	7A	0B	SKIP ◀◀ (CD)	55	7A	5A	EQ ON/FLAT (EQ)
25	7A	0C	SEARCH ▶▶ (CD)	56	7A	5B	PRESET (EQ)
26	7A	0D	SEARCH ◀◀ (CD)	57	7A	1C	MUTING
27	7A	0E	PLAY/CUT (PHONO)	60	7A	1F	POWER
32	7A	4F	DISC SKIP (CD)				