

AMC

SERVICE MANUAL

CVT3030

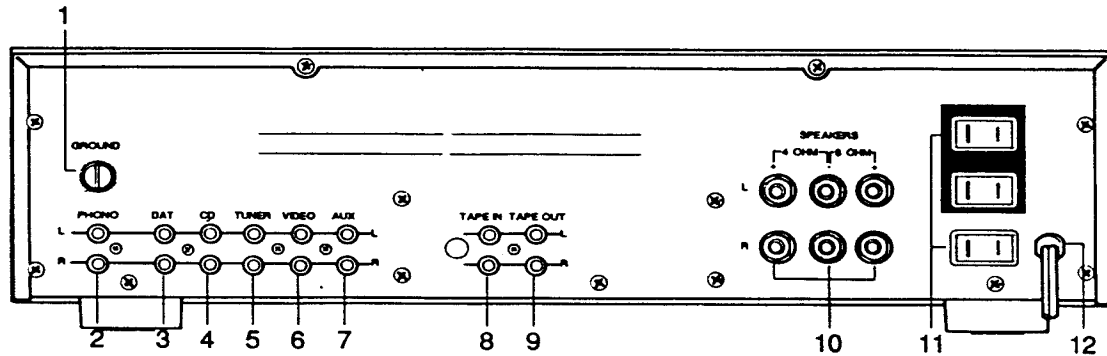
VALVE AMPLIFIER

CONTENTS

DESCRIPTION	PAGE
REAR PANEL CONNECTIONS/FRONT PANEL CONTROLS.....	3
SPECIFICATIONS.....	4
WIRING DIAGRAM.....	5-6
AMPLIFIER ADJUSTMENT.....	7
MAINS WIRING INSTRUCTION.....	8
PARTS LIST.....	9
NOTES.....	10

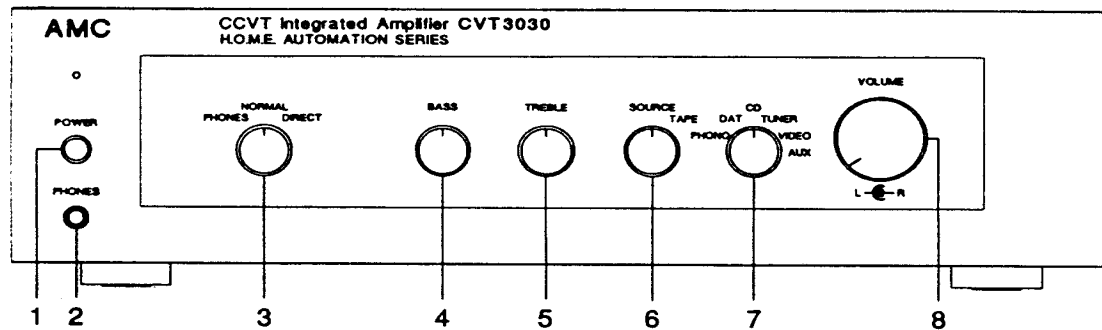
REAR PANEL CONNECTIONS/FRONT PANEL CONTROLS

REAR PANEL



- | | |
|--------------------------|----------------------------|
| 1. PHONO GROUND TERMINAL | 7. AUXILIARY INPUT |
| 2. PHONO MM INPUT | 8. TAPE INPUT |
| 3. DAT INPUT | 9. TAPE OUTPUT |
| 4. CD INPUT | 10. LOUDSPEAKER TERMINALS |
| 5. TUNER INPUT | 11. AC CONVENIENCE OUTLETS |
| 6. VIDEO INPUT | 12. AC LINE CORD |

FRONT PANEL



- | | |
|--------------------------------|---------------------------|
| 1. POWER SWITCH | 5. TREBLE CONTROL |
| 2. PHONES | 6. TAPE MONITOR SWITCH |
| 3. PHONES/NORMAL/DIRECT SWITCH | 7. INPUT SELECTION SWITCH |
| 4. BASS CONTROL | 8. VOLUME CONTROL |

SPECIFICATIONS

Power output into 8/4 ohms 30W
With both channels driven

Rated T.H.D. 45Hz–20KHz 1.0%

1KHz clipping power into 8/4 ohms 36W

Input sensitivity for 1W/30W into 8 ohms:

High level inputs 34mV/180mV

Phono input 0.5mV/2.7mV

Input impedance:

High level inputs 20K ohms/100pF

Phono input 47K ohms/100pF

Frequency response:

Tone bypass 20Hz–20KHz +/- 0.5dB

Normal 20Hz–20KHz +/- 1.0dB

High level inputs -3dB 10Hz/80KHz

Signal to noise ratio (ref. 1W/8 ohms):

High level inputs "A" WTD. 80dB

Phono input "A" WTD. 79dB

Separation 20Hz–20KHz > 50dB

Tone control range:

Bass at 50Hz +/- 8dB

Treble at 10KHz +/- 7dB

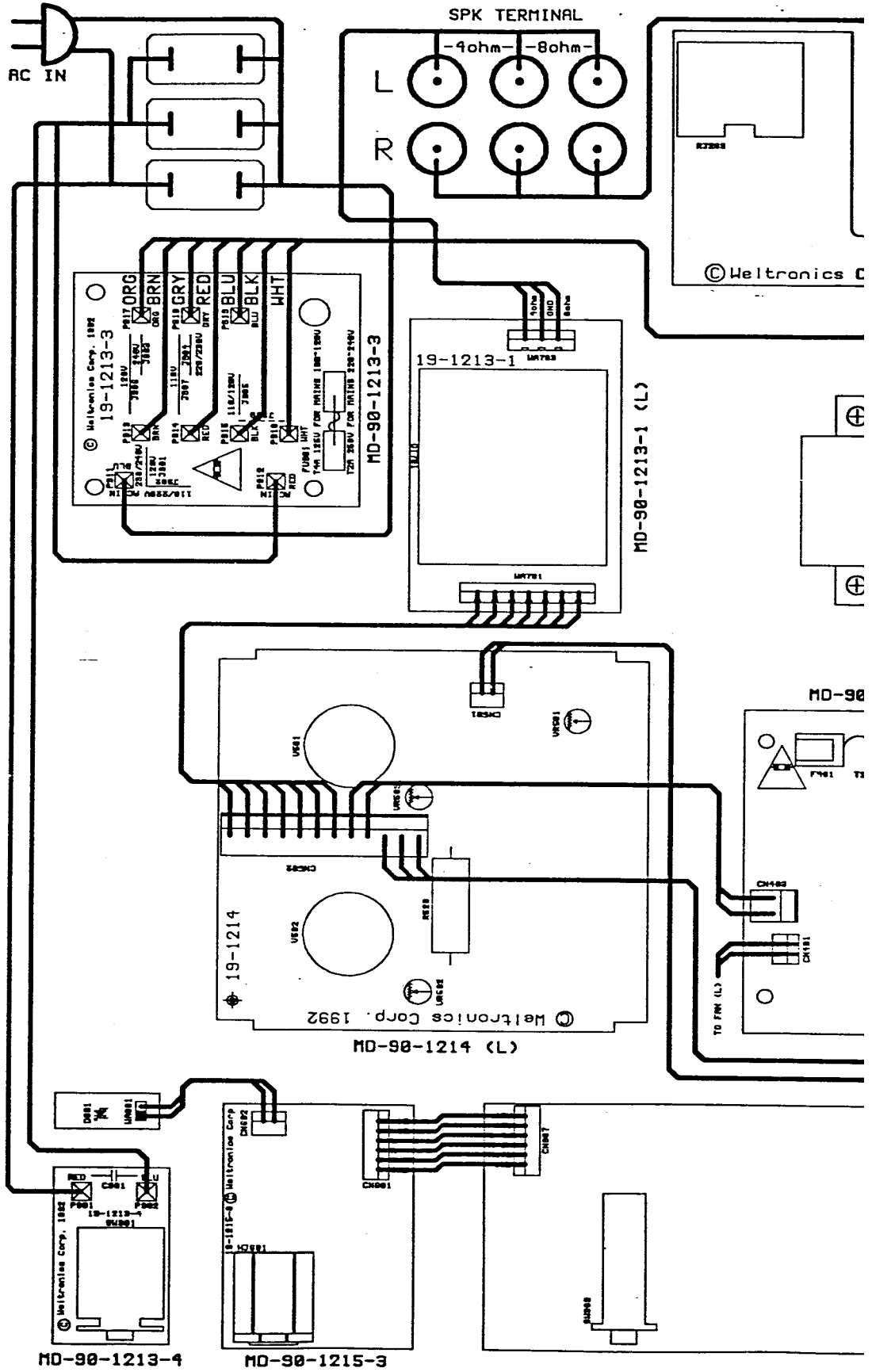
Overall feedback 14dB

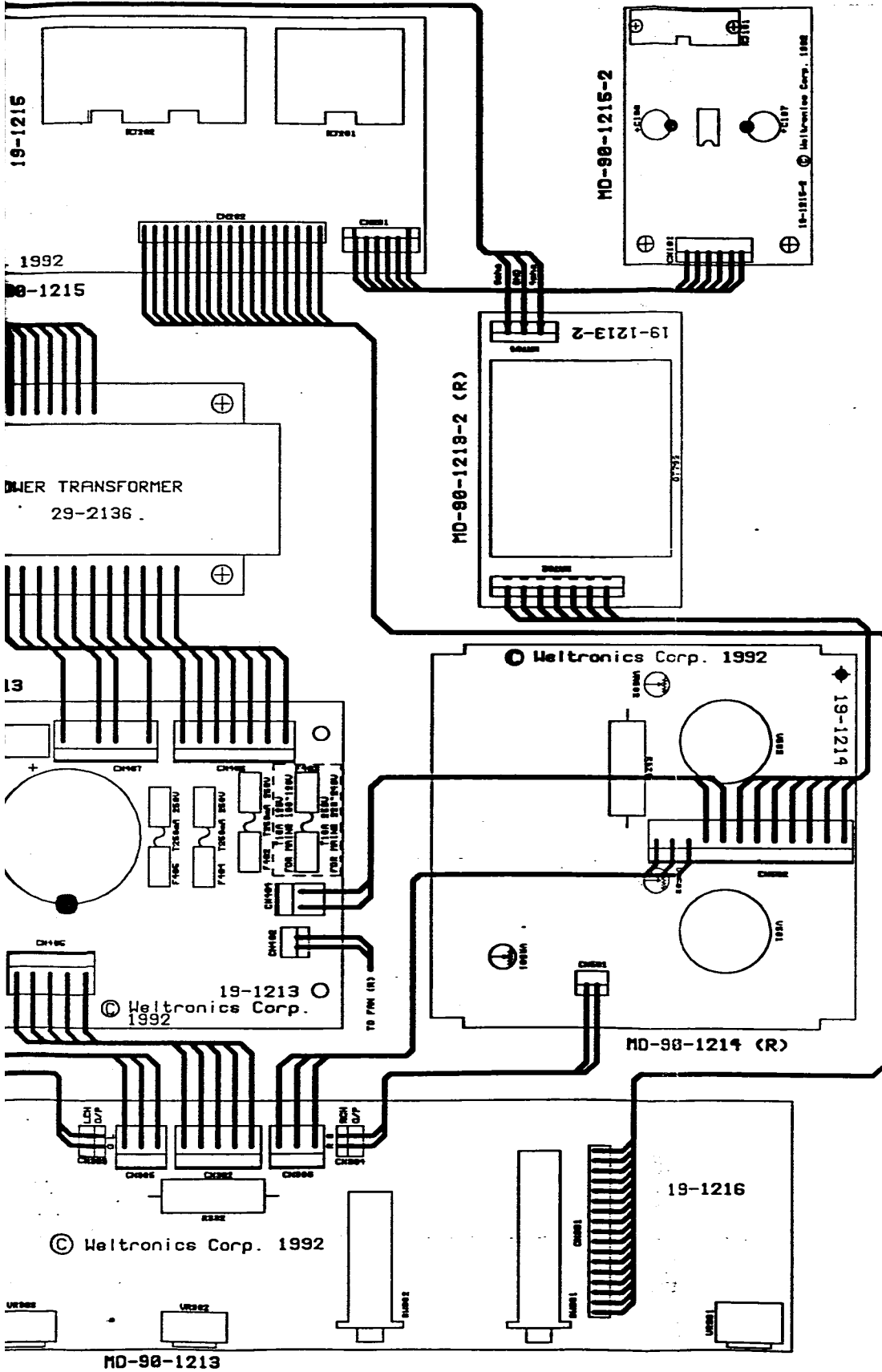
Dimensions (WxHxD) 430x112x288mm

Net weight 14Kg

Shipping weight 15Kg

WIRING DIAGRAM





19-1215

1992
98-1215

POWER TRANSFORMER
29-2136

13

© Heltronics Corp.
1992

© Heltronics Corp. 1992

MD-98-1213

MD-98-1215-2

MD-98-1213-2 (R)

© Heltronics Corp. 1992

19-1214

MD-98-1214 (R)

19-1216

POWER AMPLIFIER ADJUSTMENTS -- CVT3030 / CVT2030

Important Notes:

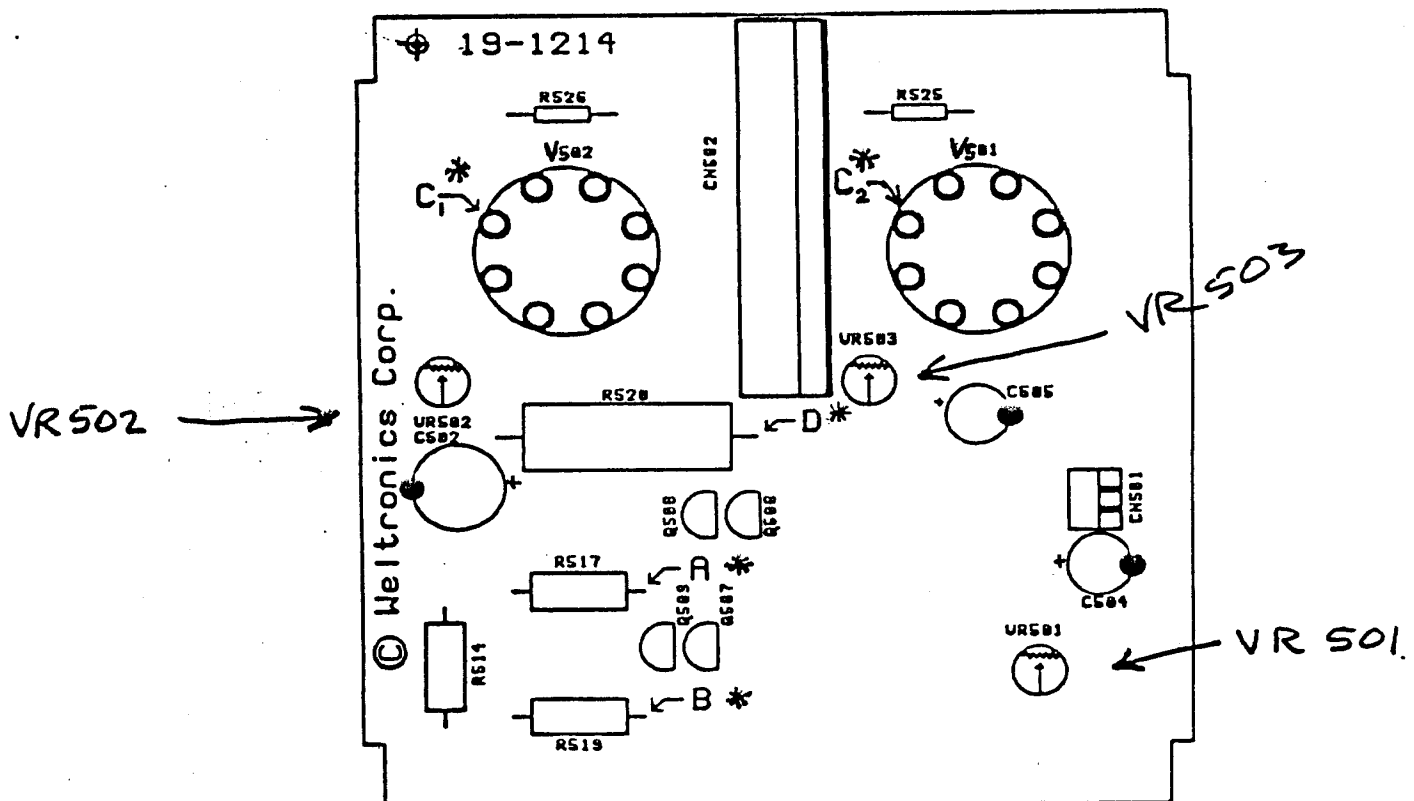
1. Make sure the primary voltage to be applied is set properly (110V - 220V)
2. Set the "PHONES/NORMAL/DIRECT" (CVT3030) switch to the "PHONES" position, which mutes the amplifier.
3. Before adjustment, turn **VR502** fully counter-clockwise and **VR503** fully clockwise.
4. Before adjustments are made, unit must be pre-heated at least 5 minutes.

A. Center Voltage Adjustment

1. Connect voltmeter between point **A*** (the junction of the drain of Q508 and R517) and point **B*** (the junction of the drain of Q509 and R519).
2. Adjust **VR501** for a voltmeter reading of 0 Volts, +/- 5 Volts.
3. Repeat above for the other channel.

B. Bias Current Adjustment

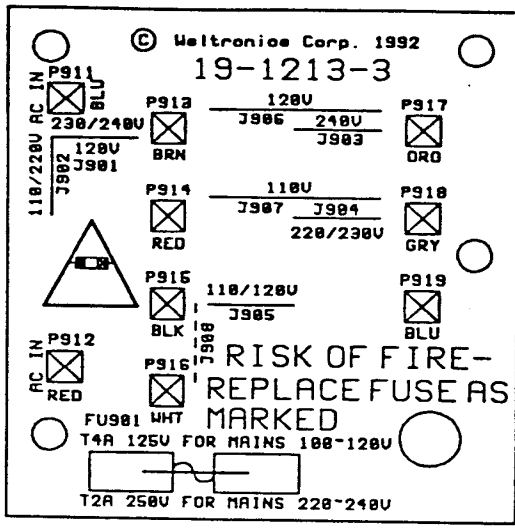
1. Connect voltmeter between point **C₁*** (the plate of tube V502) and point **D*** (the B+ supply).
2. Adjust **VR502** for a voltmeter reading of 6 Volts.
3. Connect voltmeter between point **C₂*** (the plate of tube V501) and point **D*** (the B+ supply).
4. Adjust **VR503** for a voltmeter reading of 6 Volts.
5. Repeat above for the other channel.



WIRING INSTRUCTIONS

1. The power transformer of CVT-3030 is UNIVERSAL type can be wired to 110V/120V/220V/230V/240V mains voltages by changing the jumper wires on the MAINS PCB.

2. MAINS P.C.B. drawing:



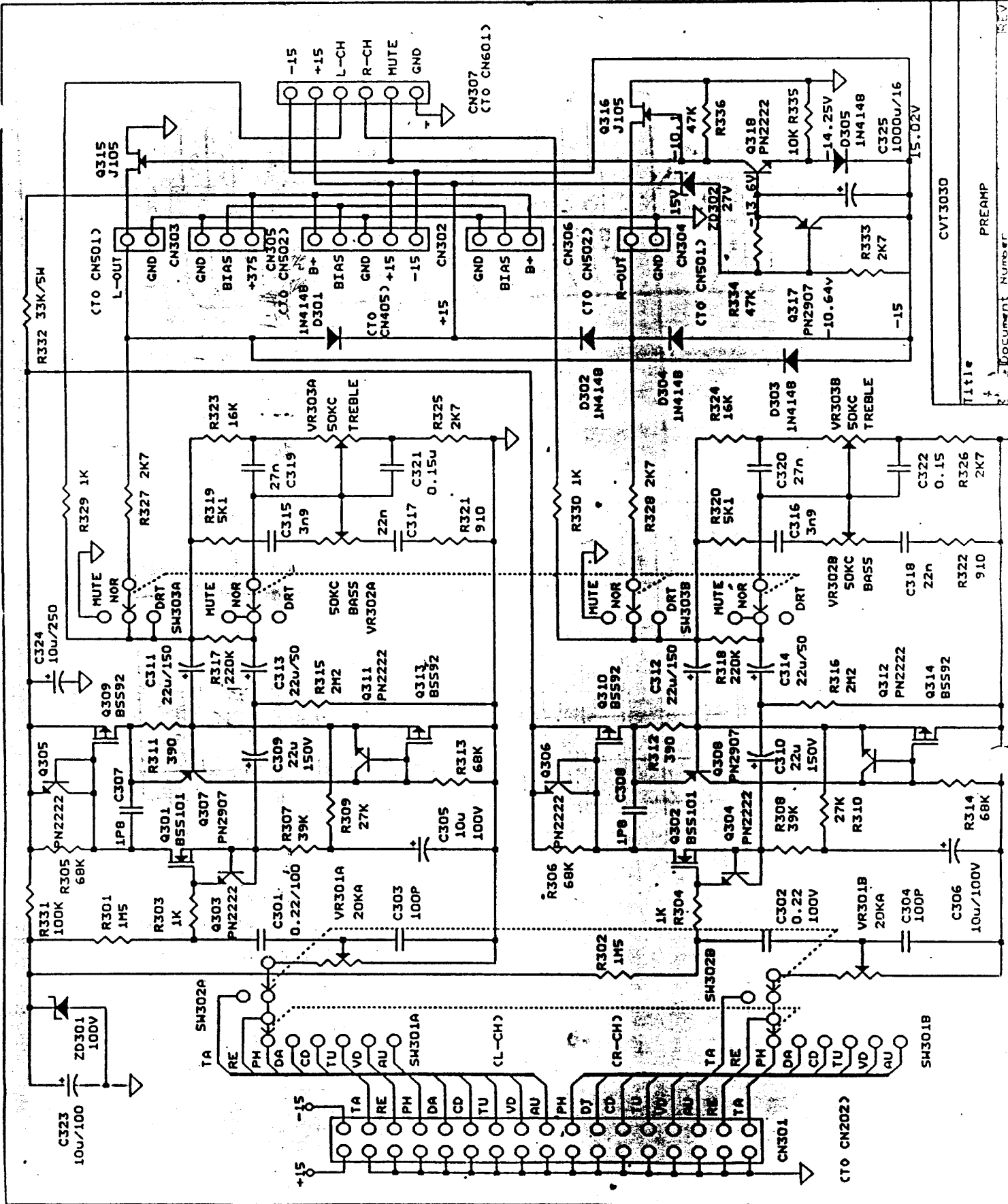
3. Jumper wires connected chart:

Mains Voltages	Jumper wires shall be connected for the mains voltage		
=====	=====	=====	=====
110V	J902	J905	J907
120V	J901	J905	J906
220V	J902	J904	
230V	J901	J904	
240V	J901	J903	

(J908 is only a spare position for shorting connection of thermal fuse inside of the transformer.)

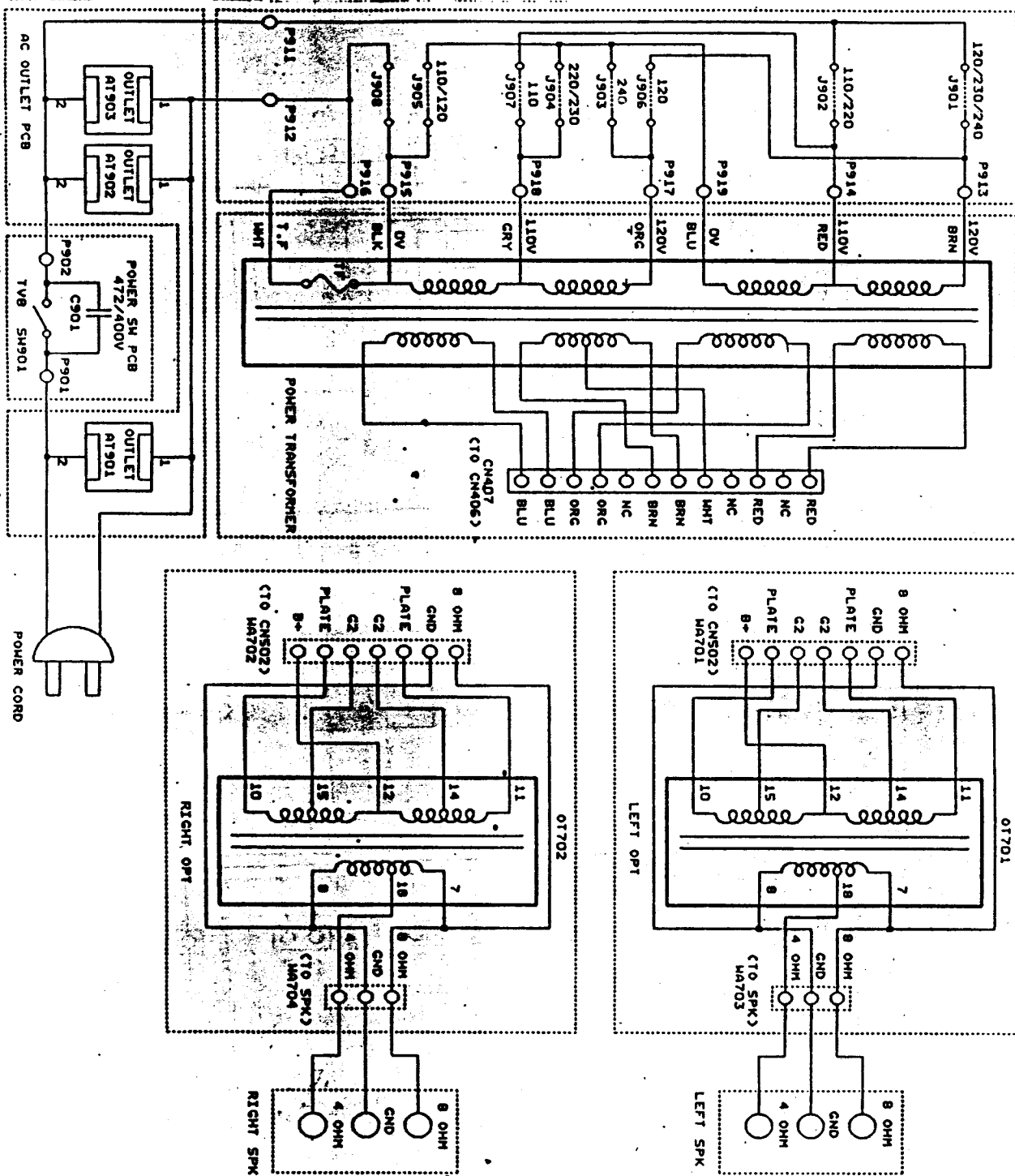
4. The FUSES shall be changed to correct rating and safety approved fuses as shown on PCB.

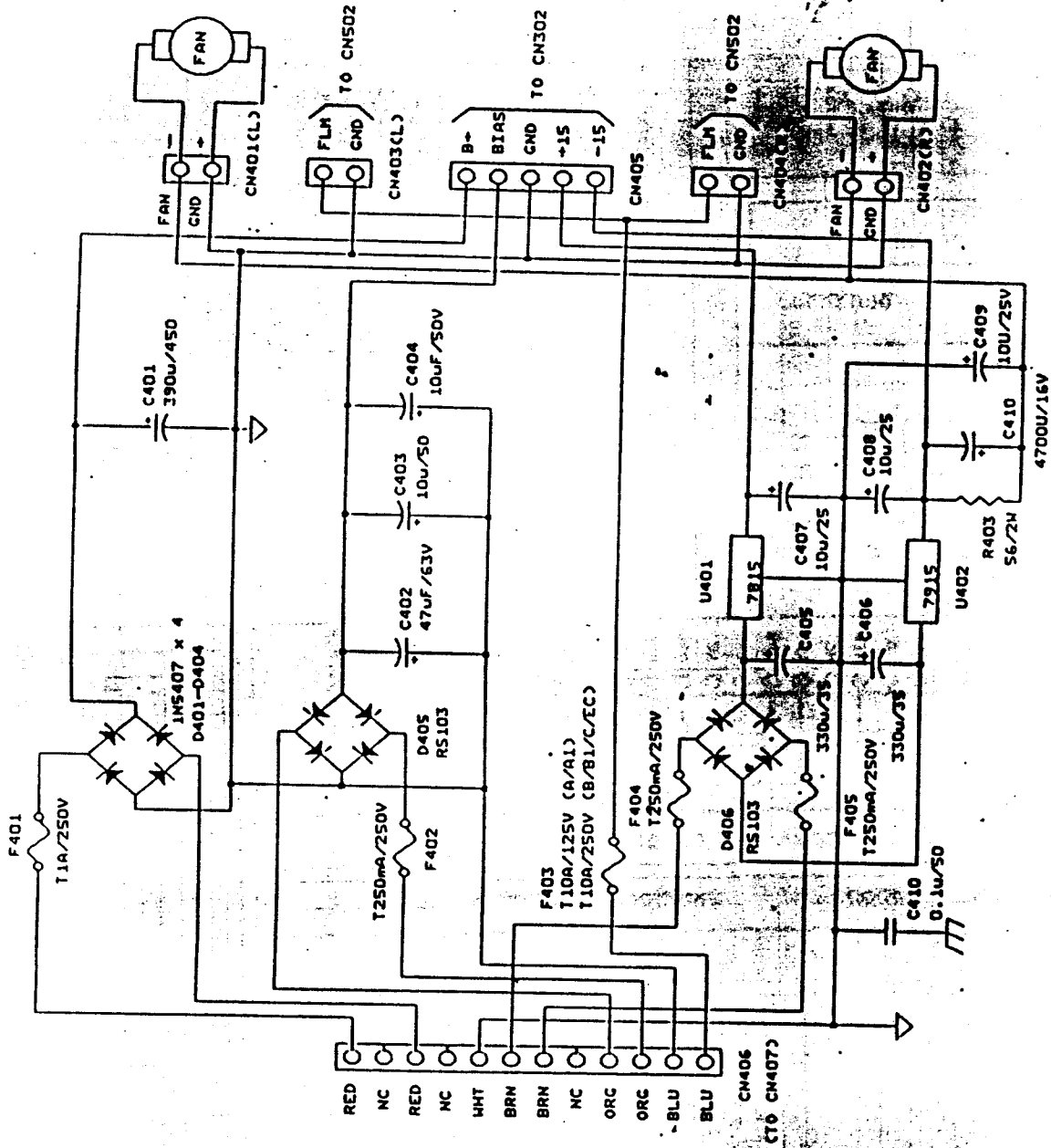
- FU901: T4A 125V for Mains between 100V to 120V
T2A 250V for Mains between 220V to 240V
(FU901 is added into CVT-3030 from 1001 of the latest 4 digits of serial number to protect the power transformer more secure.)
- F401: T1A 250V
- F402: T250mA 250V
- F403: T10A 125V for Mains between 100V to 120V
T10A 250V for Mains between 220V to 240V
- F404, F405: T250mA 250V



Title
 Document Number
 PREAMP
 CVT3030

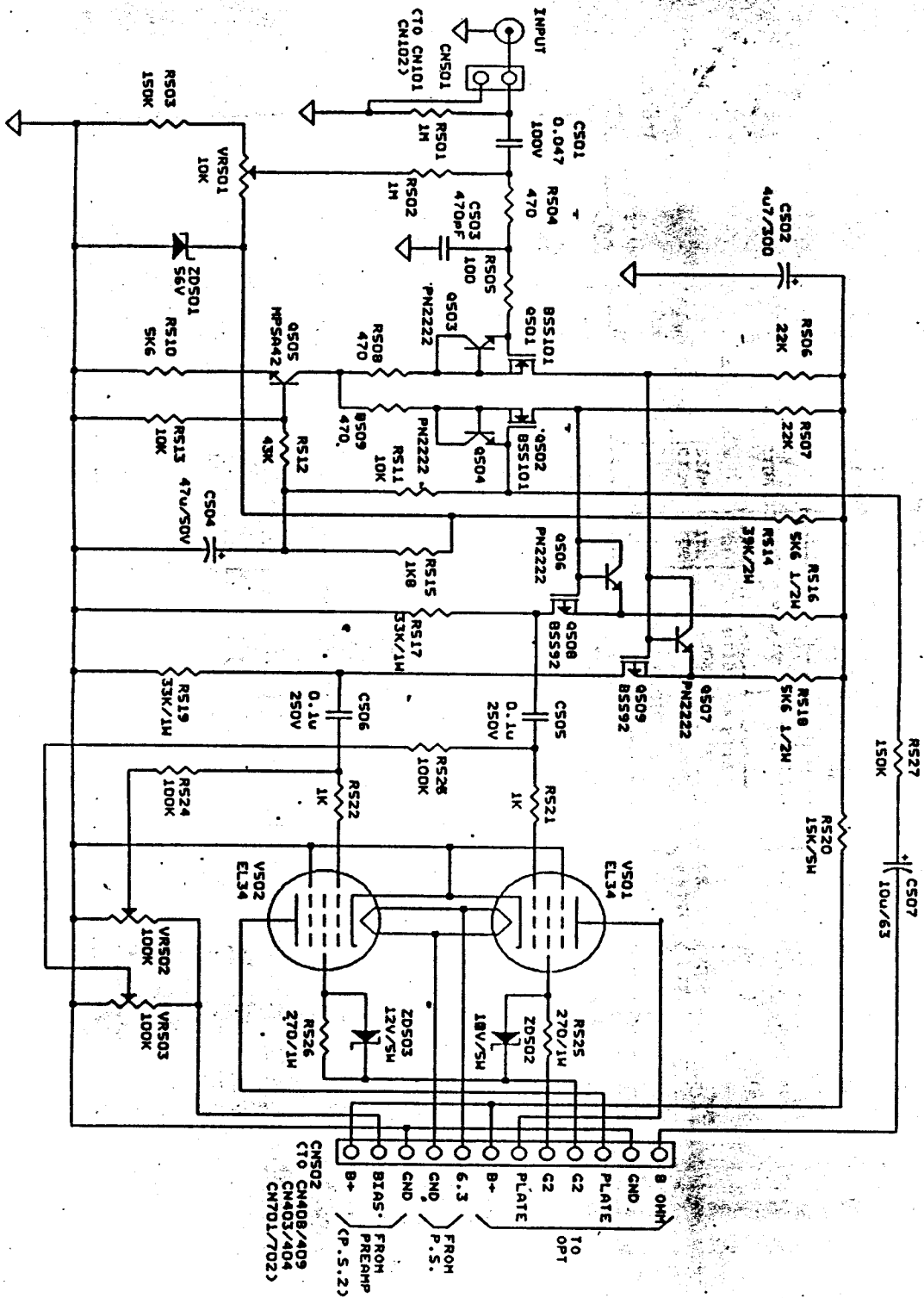
SCHEMATIC DIAGRAM (AC MAINS and O.P.T. MODULE)

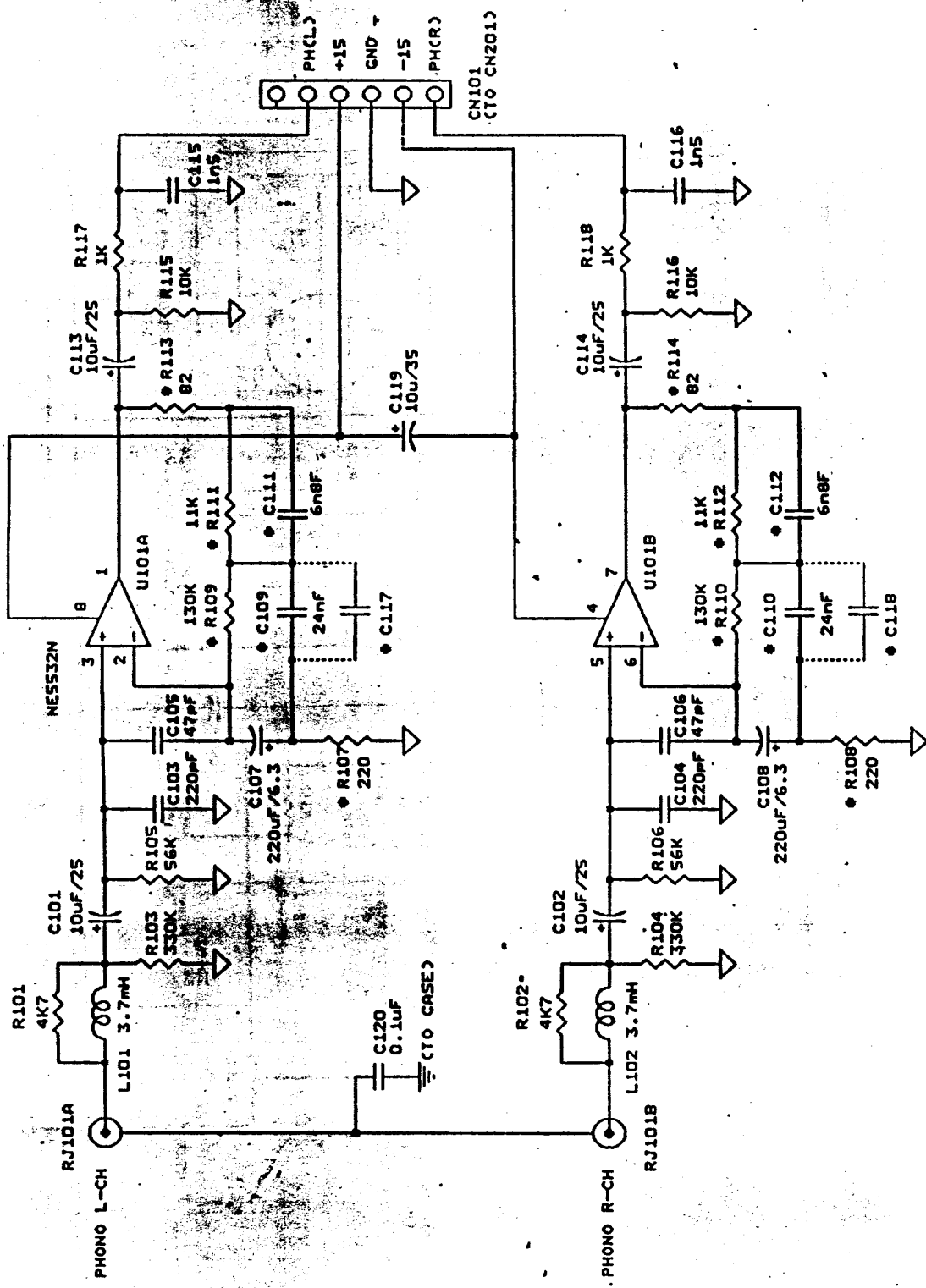




REV	A
DATE	June 30, 1964
Size Document Number	MD-P5003
Title	POWER SUPPLY
	CVT3030

SCHEMATIC DIAGRAM (POWER AMP MODULE)





P/S: 1. THE RESISTORS MARKED WITH '*' ARE 2% IN TOLERANCE
 2. THE CAPACITORS MARKED WITH '*' ARE 5% IN TOLERANCE

Document Number	PHONO	REV
CVT3030		

CVT3030 PARTS LIST

PARTS NO.	DESCRIPTION	SPRCIFICATION	REF	Q'TY
MD-90-1213	MODULE OF POWER SUPPLY	CVT3030 AMC		1
MD-90-1213-1	MODULE OF OPT (L)	CVT3030 AMC		1
MD-90-1213-2	MODULE OF OPT (R)	CVT3030 AMC		1
MD-90-1213-3	MODULE OF AC SELECTOR	CVT3030 AMC		1
MD-90-1214	MODULE OF POWER AMP	CVT3030 AMC		2
MD-90-1215	MODULE OF INPUT	CVT3030 AMC		1
MD-90-1215-2	MODULE OF PHONO	CVT3030 AMC		1
MD-90-1215-3	MODULE OF HEADPHONE	CVT3030 AMC		1
MD-90-1216	MODULE OF PREAMP	CVT3030 AMC		1
	PACKING ASS'Y	CVT3030 AMC		1
34-1065-1	POLYLONE, FRONT	CVT3030 AMC		1
34-1065-2	POLYLONE, REAR	CVT3030 AMC		1
21-4051	OWNER'S MANUAL	CVT3030 AMC		1
21-3015	WARRANTY CARD	AMC (120V VERSION FOR USA MARKET ONLY)		1
CT-5217	INNER CARTON	CVT3030 AMC		1
CT-5218	OUTER CARTON	CVT3030 AMC		0.5
26-0022	PE BAG FOR SET	450x600x0.07		1
26-0018	PE BAG FOR POWER CORD	100x260x0.07		1
26-0016	PE BAG FOR MANUAL	220x330x0.05		1
34-2001	PROTECTION SHEET, EPE	110x440x40mm		1
	CHASSIS ASS'Y	CVT3030 AMC		1
50-1038-1	CABINET	BLACK CVT3030		1
50-1038-2	CABINET	GRAY CVT3030		1
11-6146	MAIN CHASSIS			1
11-8418-1	FRONT PANEL	BLACK		1
11-8418-2	FRONT PANEL	GRAY		1
11-6150	CENTER CHASSIS L			1
11-6151	CENTER CHASSIS R	WITH GROUND' ED		1
11-8419-1	AUX PANEL	BLACK		1
11-8419-2	AUX PANEL	GRAY		1
12-3149	VOLUMN KNOB A	FRONT		1
28-1049-3	CUSHION A	VOLUMN KNOB A		1
12-3150	VOLUMN KNOB B	REAR		1
28-1049-2	CUSHION B	VOLUMN KNOB B		1
12-3151	CONTROL KNOB			5
28-1049-1	CUSHION	CONTROL KNOB		5
12-3152GN	POWER SW. BUTTON	GREEN		1
13-8227B	BUSHING, POWER BUTTON	BLACK		1
28-1046	FOOT			4
28-2074	SPONGE	FOOT		4
11-6149	FRONT CHASSIS	CVT3030		1
11-8420-1	REAR PANEL (120V) A A1	CVT3030		1
11-8420-3	REAR PANEL (230V) EC	CVT3030		1
28-2076	RETAINER EVA	5x30x1mm	REAR PANEL	2
12-2134N	BINDING POST, BLK			2
12-2133N	BINDING POST, RED			4
28-2078RD	CAP, BINDING POST	RED (230V AREA 4 PCS)		4
28-2078BK	CAP, BINDING POST	BLK (230V AREA 2 PCS)		2
14-5027	POWER CORD	UL/CSA US/CN (120V)		1
14-5028	POWER CORD	EMKO WG/EU (230V)		1
14-5022	POWER CORD	SA B1 VERSION ONLY		1
14-5003	BUSHING	4N-4 (4RF-5)		1
12-2110	AC OUTLET (A/A1/J/T)	US TYPE UL/CSA (A/A1 x3)		3
12-2122	AC OUTLET (B/B1/EC/C/C1)	EU TYPE EMKO (B/B1/C/EC x1)		1
11-8435-1	MODULE CASE	EXTRUSION		2
29-2136	POWER TRANSFORMER	0-110-120x2+T.F.		1
11-9064	FAN GUARD	80*80 KGI, G80-18		2
29-6113	DC FAN	12V 80x80x2.5 MM		2
21-1128	DECORATIUE PLATE	54x74x0.3t FOR P.T.		1
21-1129	DECORATIUE PLATE	28.5x71.5x0.3t FOR OPT		2

NOTES:

Proprietary information for servicing purposes only. The information given herein may not be used commercially without the prior written agreement of WELTRONICS CORP. L.A.