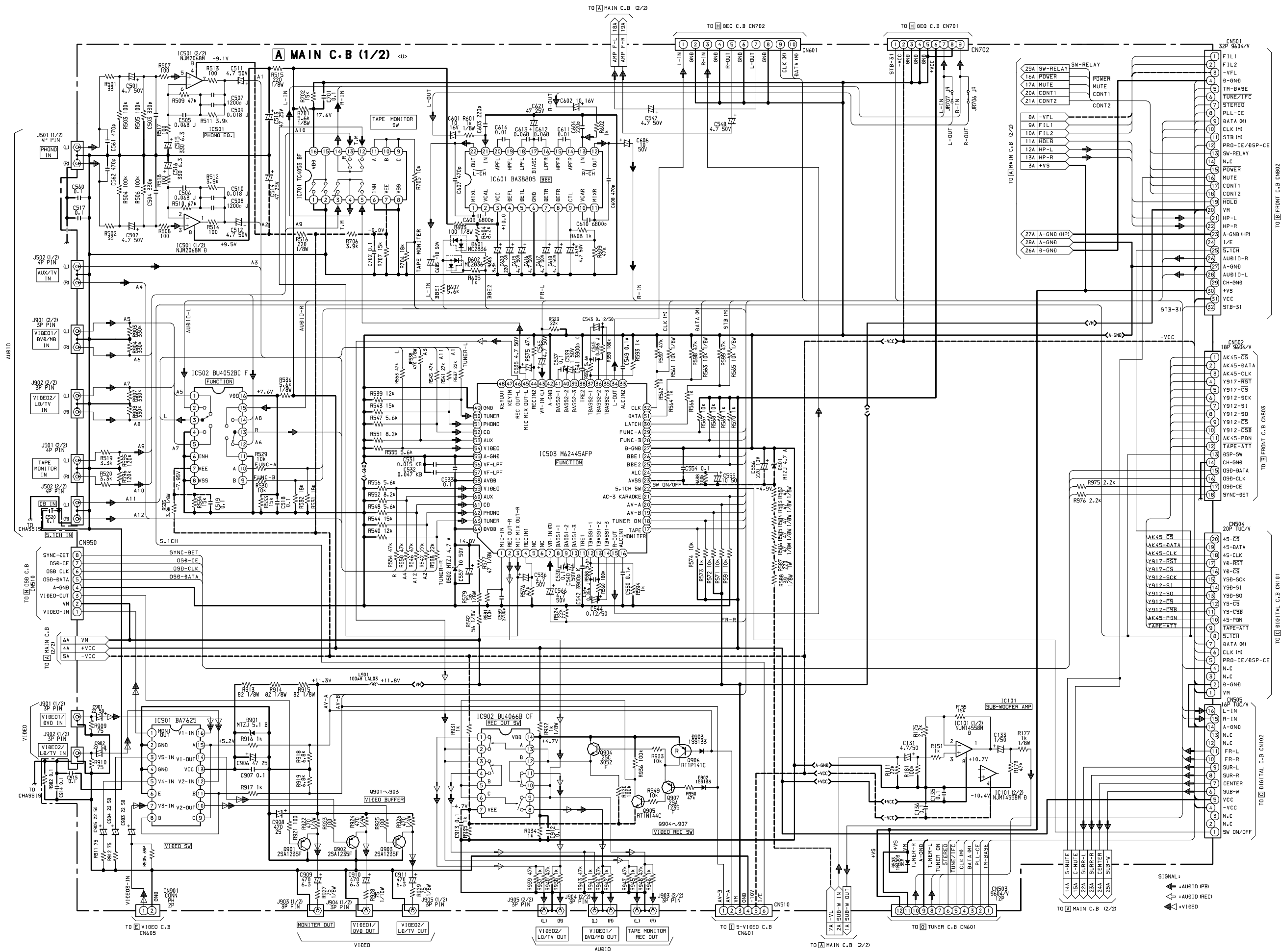


SERVICE MANUAL

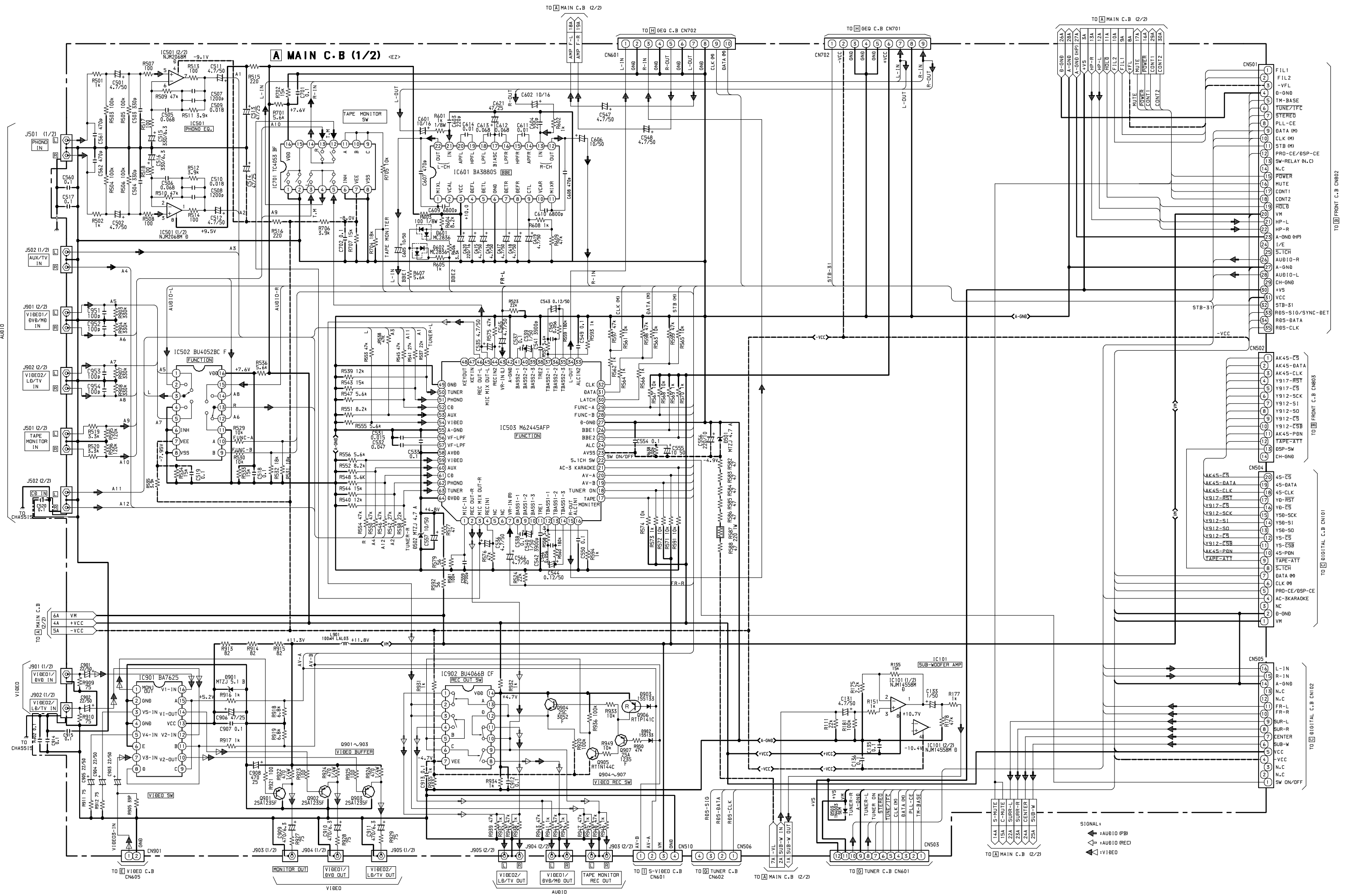
STEREO AV RECEIVER

- This Service Manual is the "Revision Publishing" and replaces "Simple Manual" AV-D97 (U,EZ), (S/M Code No. 09-004-434-0T1).

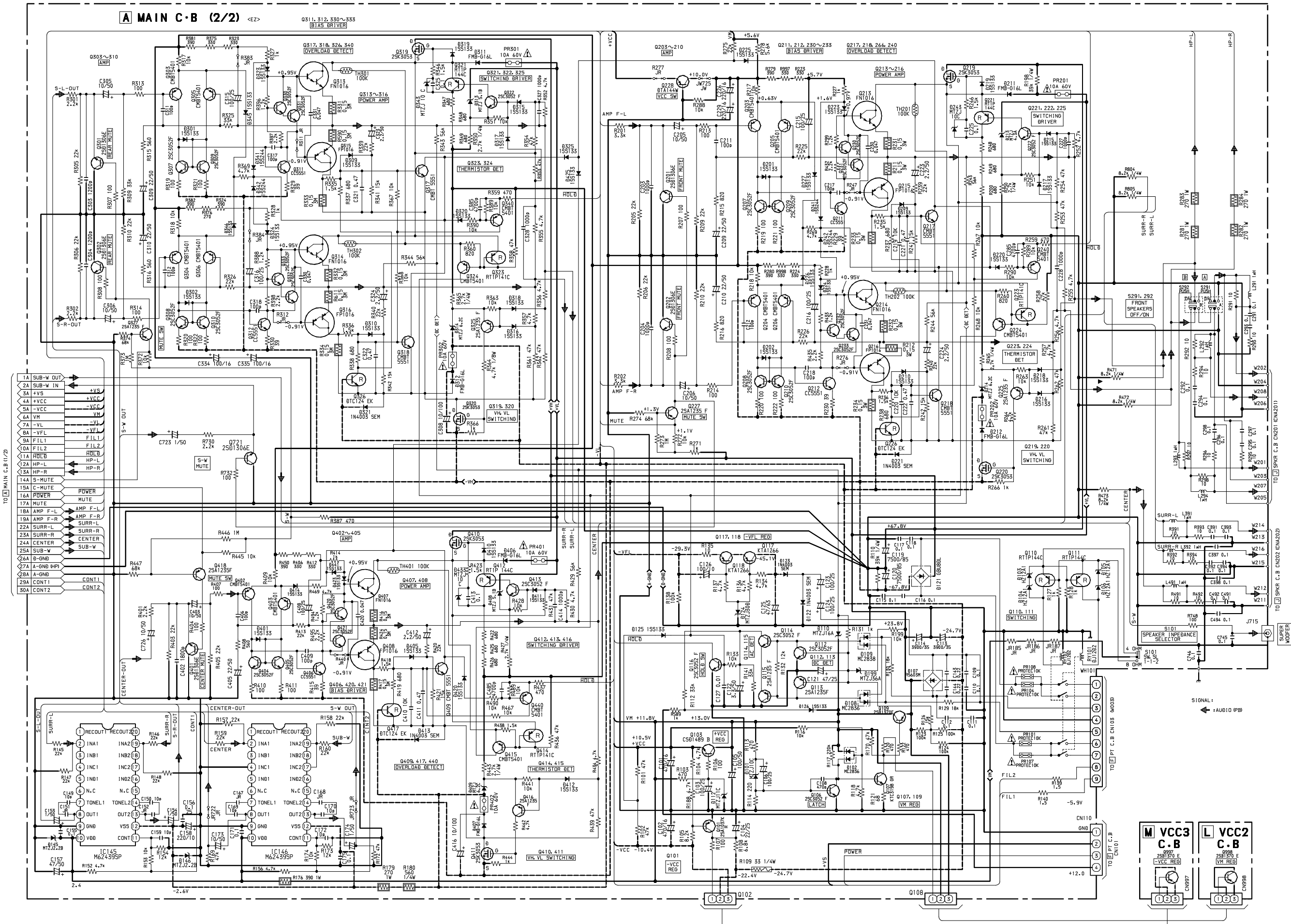
SCHEMATIC DIAGRAM - 1 (U: MAIN 1/2)



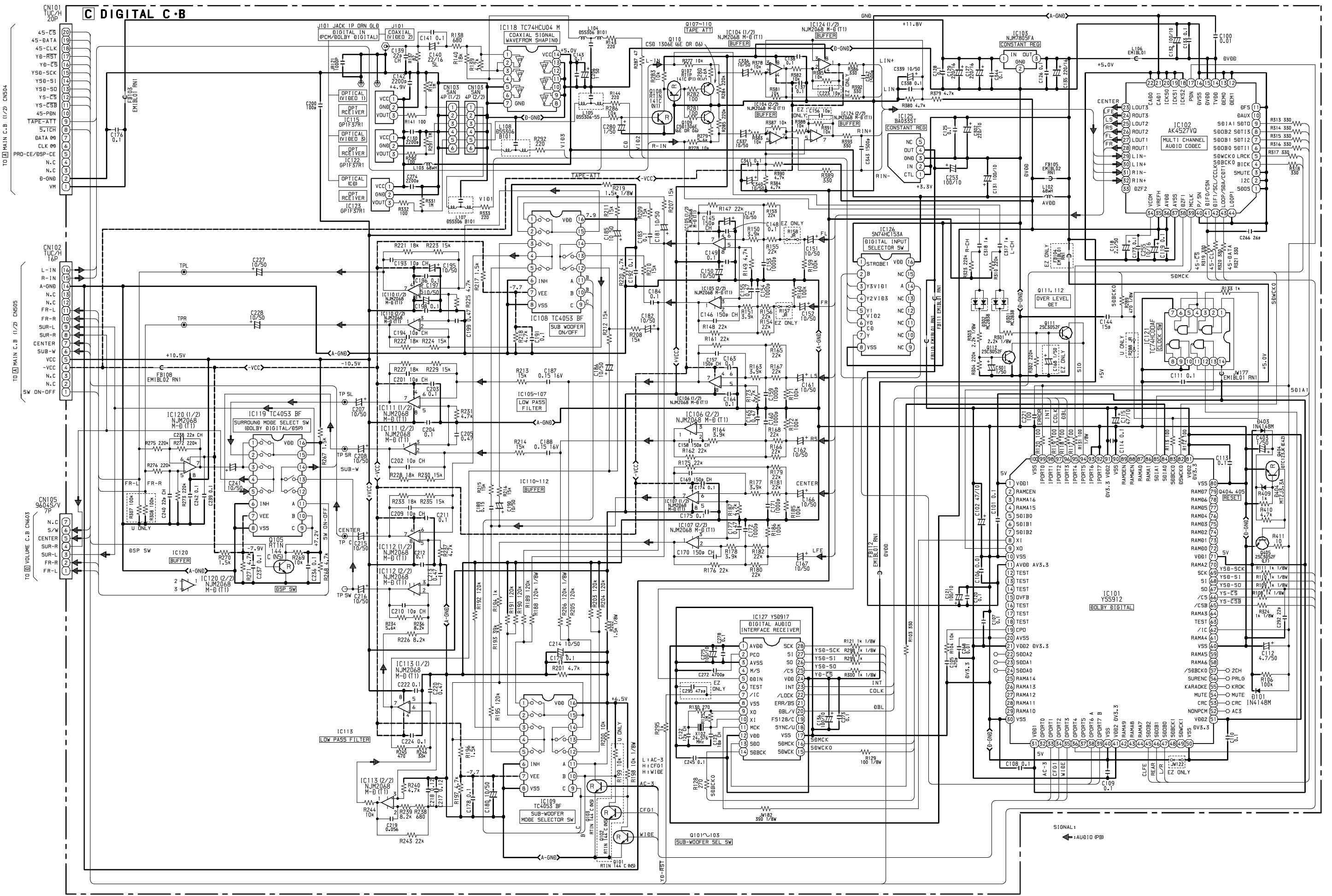
SCHEMATIC DIAGRAM - 3 (EZ: MAIN 1/2)



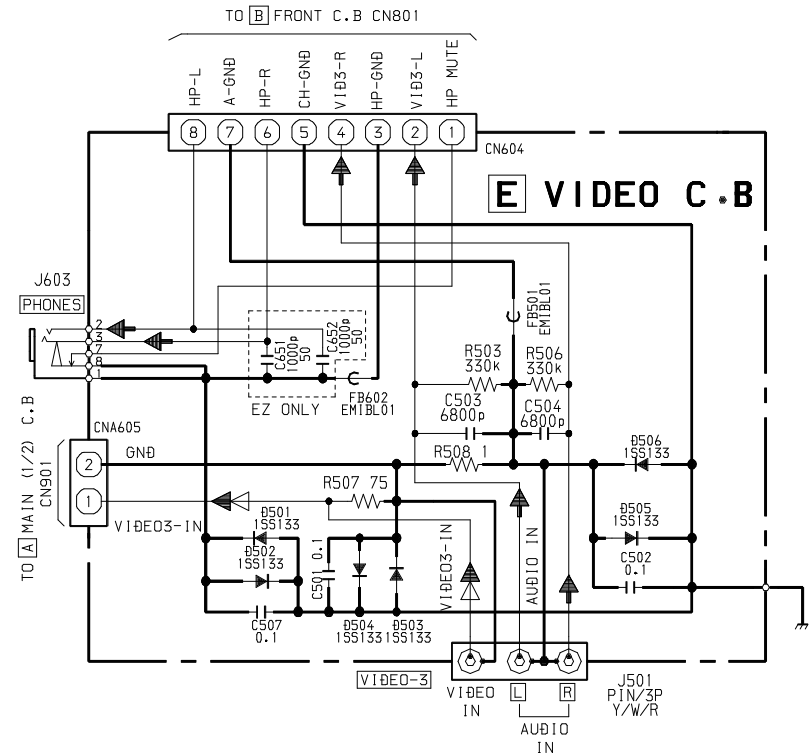
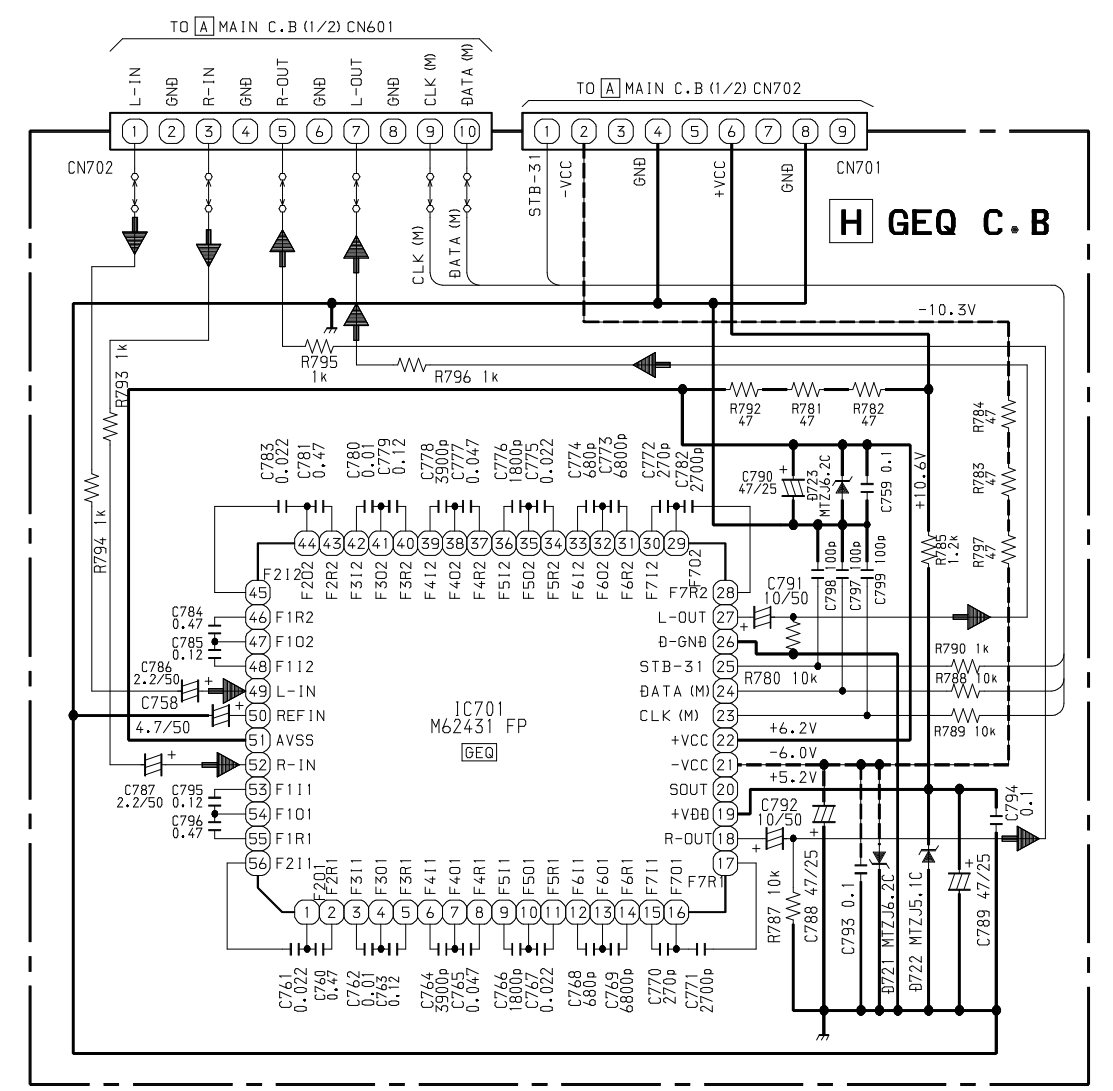
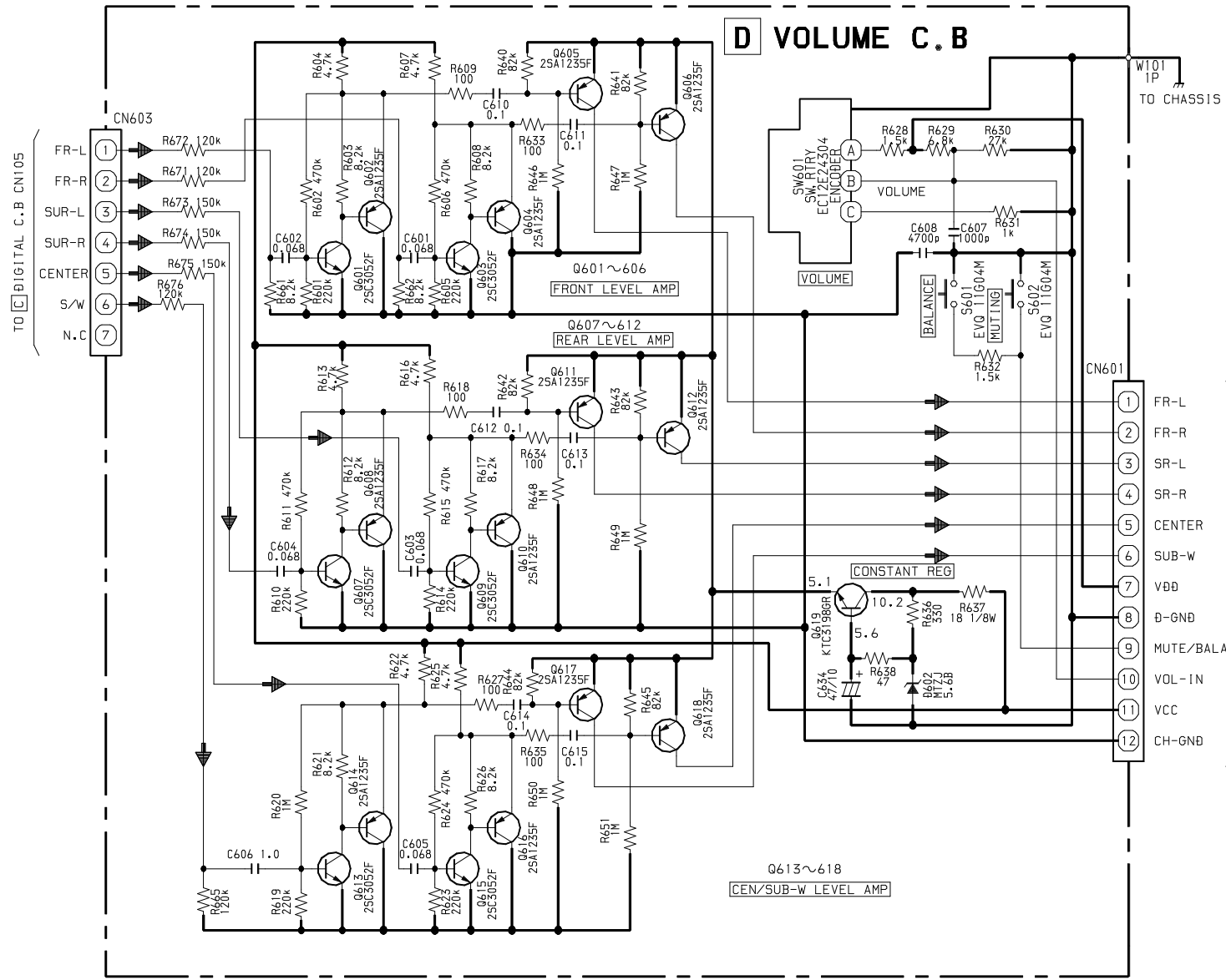
SCHEMATIC DIAGRAM - 4 (EZ: MAIN 2/2 / VCC2 / VCC3)



SCHEMATIC DIAGRAM -6 (DIGITAL)

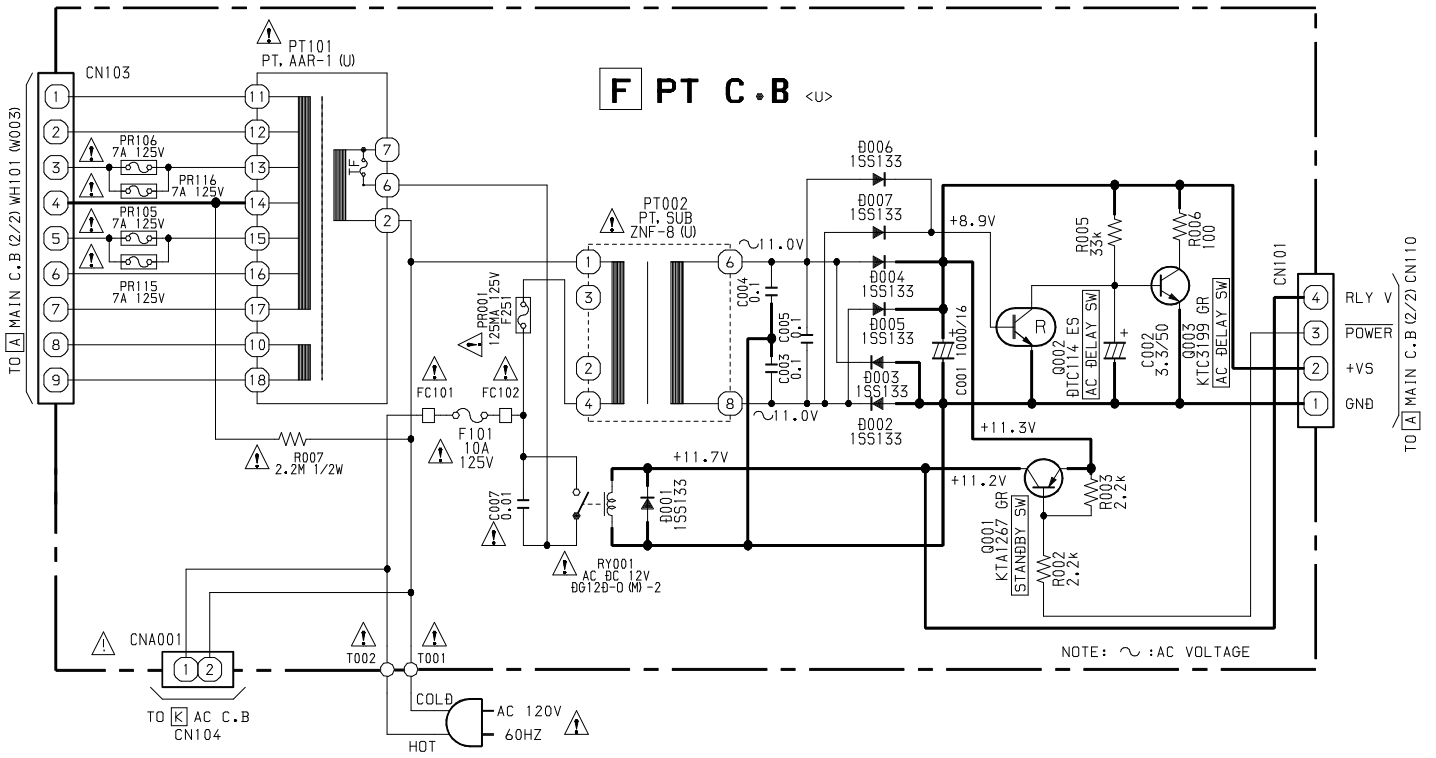


SCHEMATIC DIAGRAM - 7 (VOLUME / VIDEO / GEQ)

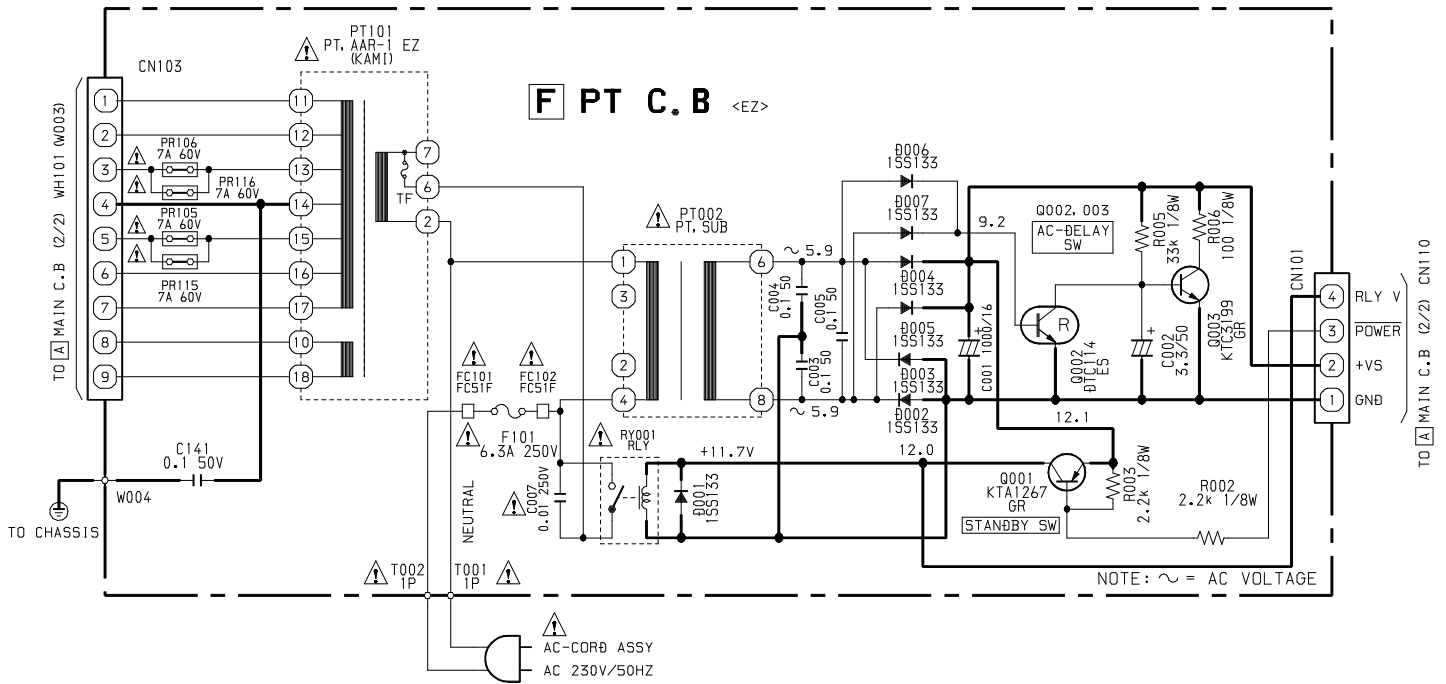


SIGNAL:
 ◀ : AUDIO
 ▲ : VIDEO

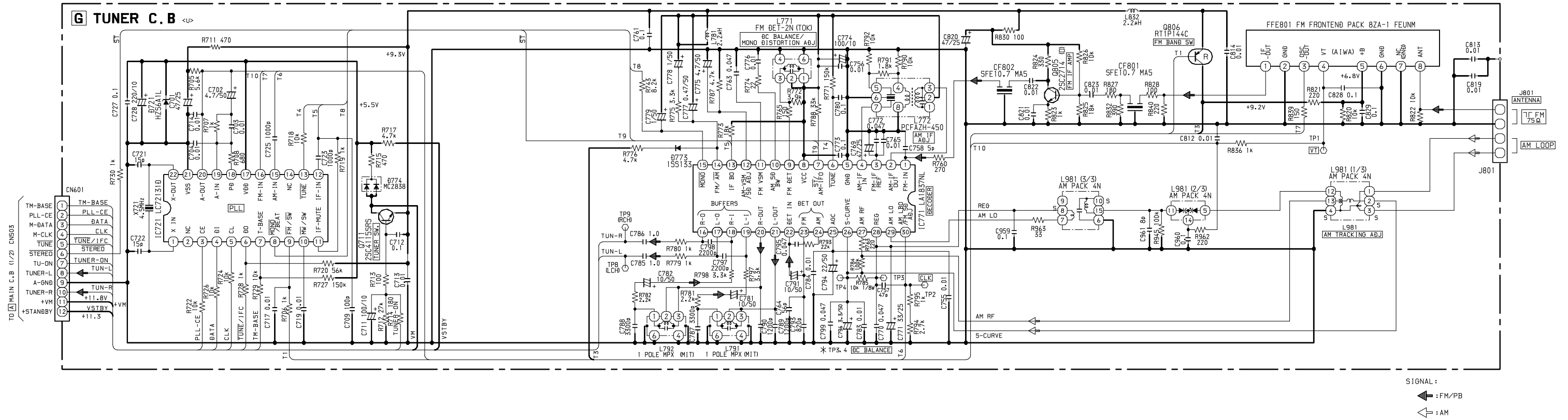
SCHEMATIC DIAGRAM - 8 (U: PT)



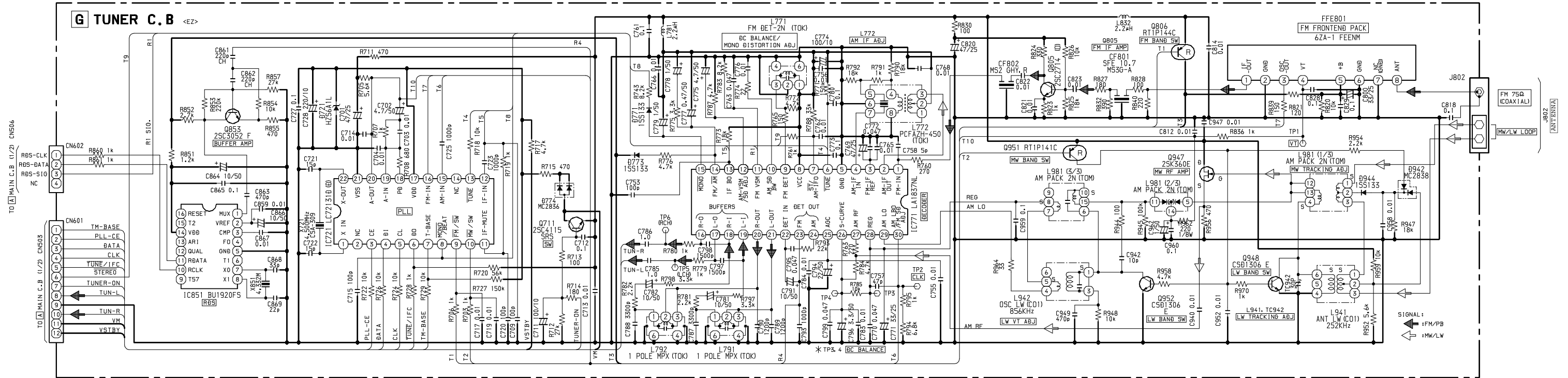
SCHEMATIC DIAGRAM - 9 (EZ: PT)



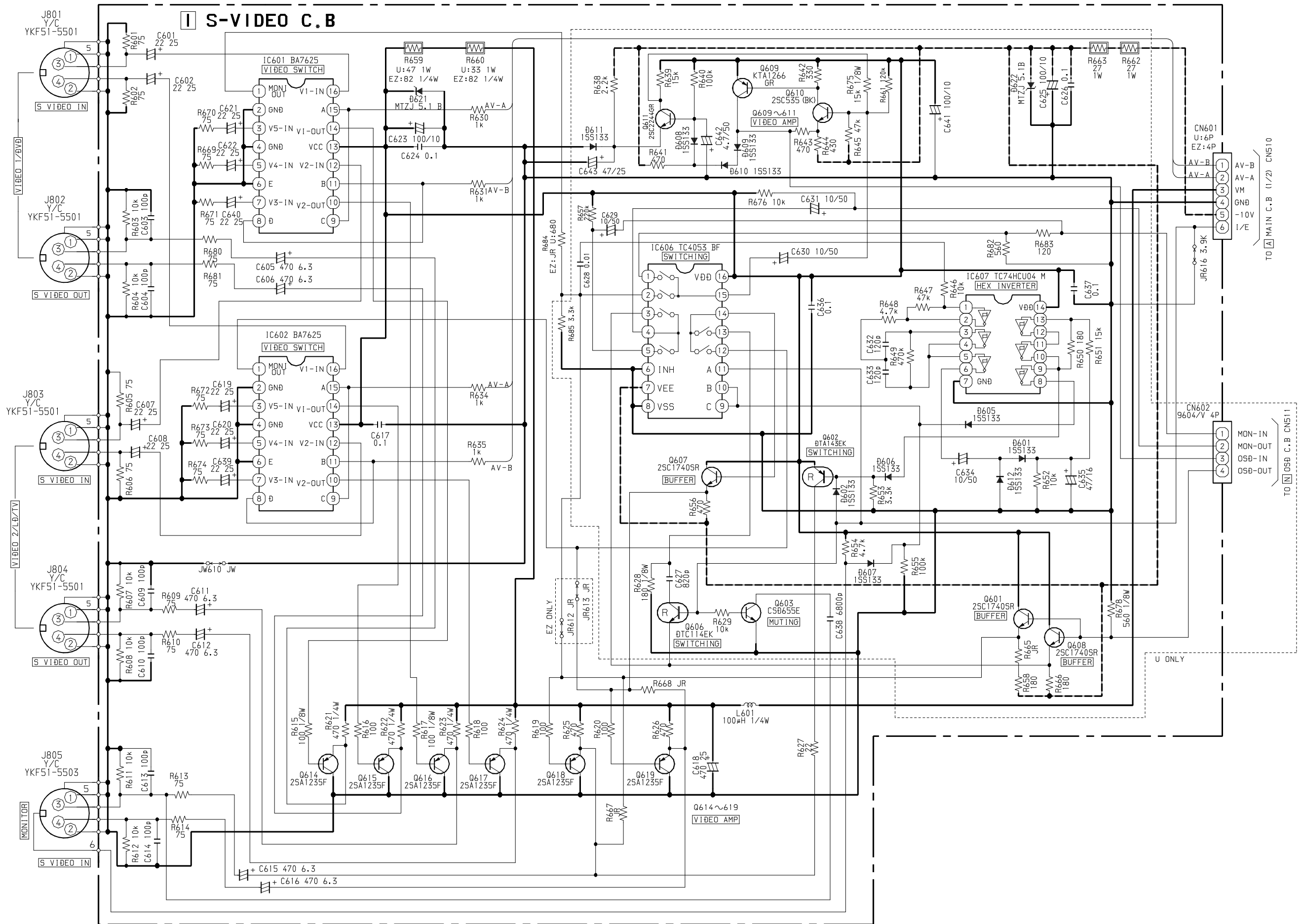
SCHEMATIC DIAGRAM - 10 (U: TUNER)



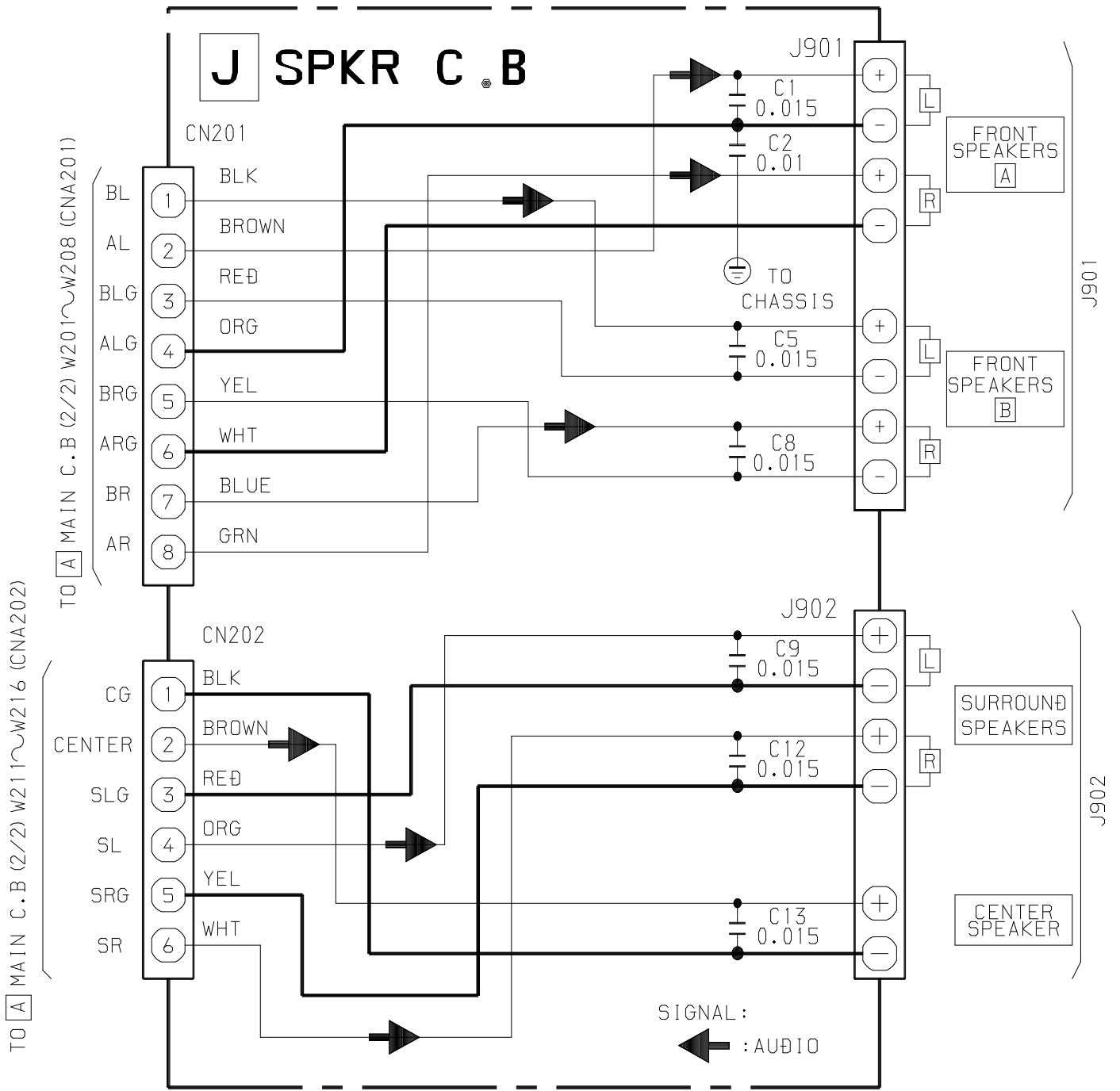
SCHEMATIC DIAGRAM - 11 (EZ: TUNER)



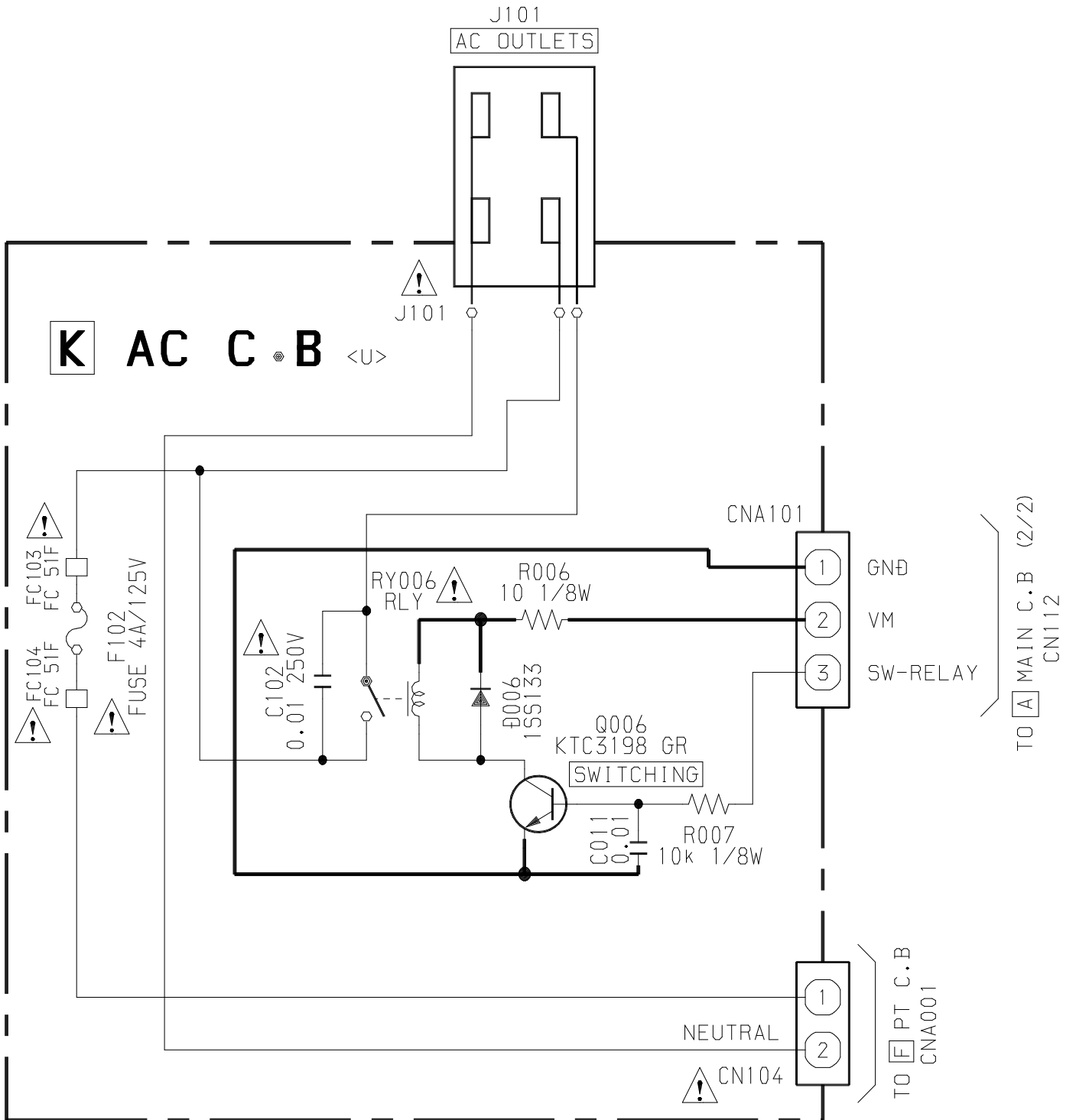
SCHEMATIC DIAGRAM - 12 (S-VIDEO)



SCHEMATIC DIAGRAM - 13 (SPKR)



SCHEMATIC DIAGRAM - 14 (U:AC)



SCHEMATIC DIAGRAM - 15 (U: OSD)

