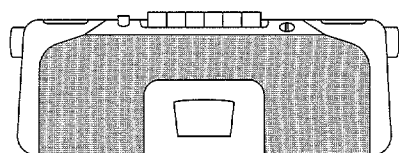


aiwa



CS-P88



STEREO RADIO
CASSETTE RECEIVER

• BASIC TAPE MECHANISM : TN-21ZV-1805

• TYPE: HE, HR, EZ

REVISION PUBLISHING

- This Service Manual is the "Revision Publishing" and replaces "Simple Manual" CS-P88 (HE, HR, EZ), (S/M Code No. 09-993-410-0T1).

S/M Code No. 09-996-410-0R1

MANUAL
SERVICE

SPECIFICATIONS

Tuner section

Frequency range

FM :	87.5 MHz - 108 MHz Antenna : Rod antenna
MW :	530 kHz - 1,605 kHz Antenna : Ferrite bar antenna
LW<EZ> :	150 - 285 kHz Antenna : Ferrite bar antenna
SW<HE,HR> :	5.9 - 18.0MHz Antenna : Rod antenna

Deck section

Track format

4 tracks, 2 channels

Frequency range

Normal tape : 50 Hz-12,500 Hz
(EIAJ)

Recording system

AC bias

Erasing system

Magnet erase

Heads

Recording/Playback head x 1/
erasure head x 1

General

Speaker Output

77 mm cone type (2)
Headphones jack (stereo mini-jack)

Power output

1.2W + 1.2 W
(EIAJ 4 ohms, T.H.D. 10%)
0.9 W + 0.9 W
(DIN 1% Rated Power)
EZ : 2.2 W + 2.2 W
(DIN MUSIC POWER)

Power requirements

DC 6 V using four R14
(size C) batteries,
HE, HR : AC 110 -120V / 220-240V
switchable, 50/60 Hz
EZ : AC 230 V, 50 Hz

Power consumption

10 W

Dimensions (W x H x D)

368 (W) x 134.5 (H) x 106 (D) mm

Weight

1.8 kg
(excluding batteries)

- Design and specifications are subject to change without notice.

ACCESSORIES / PACKAGE LIST

If can't understand for Description please kindly refer to "REFERENCE NAME LIST".

REF. NO.	PART NO.	KANRI NO.	DESCRIPTION
1	8Z-CS5-908-010		IB, EZ (9L) <EZ [S], EZ [L]>
1	8Z-CS5-907-010		IB, H (ECA) <HE, HR>
△ 2	87-A80-081-010		AC CORD SET ASSY, EZ BLK
△ 3	87-A90-312-010		PLUG, CONVERSION WTN-1157R1 <HE, EZ [S]>

ELECTRICAL MAIN PARTS LIST

If can't understand for Description please kindly refer to "REFERENCE NAME LIST".

REF. NO.	PART NO.	KANRI NO.	DESCRIPTION	REF. NO.	PART NO.	KANRI NO.	DESCRIPTION
IC				C93	87-010-190-080		C-CAP,S 0.01-50<EZ[S],EZ[L]>
	87-A20-955-010	IC,LA1828		C94	87-018-109-080		CAP,CER 22P-50<EZ[S],EZ[L]>
	87-A20-946-040	C-IC,MM1434XF		C201	87-010-404-040		CAP,E 4.7-50
	88-CS7-612-010	IC,TA7417AP		C202	87-010-375-080		CAP,E 330-10 SME
	8Z-CSA-617-010	IC,LA4550		C203	87-010-404-040		CAP,E 4.7-50
TRANSISTOR				C204	87-010-178-080		CHIP CAP 1000P
	89-319-233-080	TR,2SC1923 (0.1W)		C205	87-010-553-080		CAP,E 47-16
	87-026-219-080	TR,DTA144ES		C207	87-010-190-080		CAP, CHIP 0.01-50
	87-026-215-080	TR,DTC114YS		C208	87-010-190-080		CAP, CHIP 0.01-50
	89-109-521-080	TR,2SA952 (0.6W)		C209	87-010-190-080		CAP, CHIP 0.01-50
	89-327-125-080	C-TR,2SC2712 GR		C210	87-010-190-080		CAP, CHIP 0.01-50
	87-026-228-080	C-TR,DTA124EK		C211	87-010-404-040		CAP,E 4.7-50
	89-318-154-080	TR,2SC1815 (0.4W)		C212	87-010-404-040		CAP,E 4.7-50
	87-026-447-080	TR,2SC1740S R		C213	87-010-553-080		CAP,E 47-16
	87-026-216-080	TR,DTA124ES		C214	87-010-404-040		CAP,E 4.7-50
	87-A30-167-010	TR,2SB1566E		C215	87-010-402-040		CAP,E 2.2-50
	87-026-245-080	TR,DTC114ES		C251	87-010-404-040		CAP,E 4.7-50
	89-112-965-080	TR,2SA1296 (0.75W)		C253	87-010-404-040		CAP,E 4.7-50
	87-026-463-080	TR,2SA933S (0.3W)		C262	87-010-404-040		CAP,E 4.7-50
	87-026-217-080	TR,DTC124ES		C301	87-010-180-080		C-CER 1500P
	S2-KTD-130-4A0	TR,KTD1304		C302	87-010-178-080		CHIP CAP 1000P
DIODE				C303	87-010-180-080		C-CER 1500P
	87-020-465-080	DIODE,1SS133 (110MA)		C304	87-010-379-080		CAP,E 22-16
	87-070-345-080	DIODE,IN4148		C305	87-010-194-080		CAP, CHIP 0.047
	87-A40-437-080	ZENER,MTZJ4.3B		C306	87-010-404-080		CAP,E 4.7-50
	87-A40-465-010	DIODE,FR202		C307	87-010-404-080		CAP,E 4.7-50
				C308	87-010-379-080		CAP,E 22-16
				C309	87-010-264-080		CAP,E 100-10 5L
				C310	87-A10-176-010		CAP,CER 1000P-50<HE,HR>
				C312	87-012-157-080		C-CAP,S 330P-50 CH<HE,HR>
MAIN C.B				C314	87-010-221-080		CAP, ELECT 470-10V
C1	87-010-314-080	C-CAP,S 22P-50V		C317	87-010-248-080		CAP, ELECT 220-10V
C2	87-010-316-080	C-CAP,S 33P-50 CH		C318	87-010-112-080		CAP, ELECT 100-16
C3	87-010-314-080	C-CAP,S 22P-50V		C319	87-012-368-080		CHIP CAPACITOR,0.1-50
C6	87-010-378-080	CAP, ELECT 10-16V		C320	87-010-185-080		C-CAP,S 3900P-50 B
C7	87-010-194-080	CAP, CHIP 0.047		C321	87-010-404-080		CAP,E 4.7-50
C8	87-010-190-080	C-CAP,S 0.01-50		C322	87-010-375-080		CAP,E 330-10
C9	87-010-311-080	CAP 12P<EXCEPT HR>		C324	87-010-264-080		CAP,E 100-10 5L
C10	87-010-190-080	CAP, CHIP 0.01-50		C325	87-010-553-080		CAP,E 47-16
C12	87-010-314-080	C-CAP,S 22P-50V		C326	87-010-184-080		C-CAP,S 3300P-50
C14	87-010-400-080	CAP, ELECT 0.47-50V		C328	87-010-101-080		CAP,E 220-16
C15	87-010-190-080	CAP, CHIP 0.01-50		C329	87-010-322-080		C-CAP,S 100P-50 CH
C16	87-010-178-080	CHIP CAP 1000P		C330	87-010-264-080		CAP,E 100-10 5L
C17	87-012-368-080	CHIP CAPACITOR,0.1-50		C351	87-010-180-080		C-CER 1500P
C18	87-010-198-080	CAP, CHIP 0.022		C352	87-010-178-080		CHIP CAP 1000P
C19	87-010-544-080	CAP, ELECT 0.1-50V		C353	87-010-180-080		C-CER 1500P
C20	87-010-400-080	CAP, ELECT 0.47-50V		C354	87-010-379-080		CAP,E 22-16
C21	87-010-403-080	CAP, ELECT 3.3-50V		C355	87-010-194-080		CAP, CHIP 0.047
C22	87-010-190-080	CAP, CHIP 0.01-50		C356	87-010-404-080		CAP,E 4.7-50
C24	87-010-190-080	CAP, CHIP 0.01-50		C357	87-010-404-080		CAP,E 4.7-50
C25	87-010-190-080	CAP, CHIP 0.01-50		C401	87-010-404-040		CAP,E 4.7-50
C26	87-010-545-080	CAP, ELECT 0.22-50V		C402	87-010-404-040		CAP,E 4.7-50
C27	87-010-545-080	CAP, ELECT 0.22-50V		C403	87-010-178-080		CHIP CAP 1000P
C28	87-010-194-080	CAP, CHIP 0.047		C404	87-010-112-080		CAP,E 100-16
C29	87-010-194-080	CAP, CHIP 0.047		C405	87-010-112-080		CAP,E 100-16
C30	87-010-248-080	CAP, ELECT 220-10V		C407	87-010-221-080		CAP, ELECT 470-10V
C31	87-010-379-080	CAP, ELECT 22-16V		C408	87-010-379-080		CAP,E 22-16
C32	87-010-190-080	CAP, CHIP 0.01-50		C409	87-010-379-080		CAP,E 22-16
C33	87-010-190-080	CAP, CHIP 0.01-50		C410	87-010-112-080		CAP,E 100-16
C34	87-010-190-080	CAP, CHIP 0.01-50		C411	87-010-235-080		CAP,E 470-16
C35	87-010-314-080	C-CAP,S 22P-50V<HE,HR>		C412	87-010-112-080		CAP,E 100-16
C37	87-012-155-080	C-CAP 180P-50CH		C451	87-010-404-040		CAP,E 4.7-50
C38	87-010-318-080	C-CAP,S 47P-50 CH		C452	87-010-404-040		CAP,E 4.7-50
C41	87-010-318-080	C-CAP,S 47P-50 CH<EZ[S],EZ[L]>		C453	87-010-178-080		CHIP CAP 1000P
C44	87-012-145-080	C-CAP 270P-50CH<HE,HR>		C454	87-010-112-080		CAP,E 100-16
C44	87-012-156-080	C-CAP,S 220P-50 CH<EZ[S],EZ[L]>		C455	87-010-112-080		CAP,E 100-16
C45	87-010-181-080	CHIP CAP 1800P-50<HE,HR>		C457	87-010-221-080		CAP, ELECT 470-10V
C92	87-010-178-080	CHIP CAP 1000P		C602	87-010-236-080		CAP,E 1000-10 SME
				C603	87-010-221-080		CAP, ELECT 470-10V
				C605	87-010-101-080		CAP, ELECT 220-16

REF. NO.	PART NO.	KANRI NO.	DESCRIPTION	REF. NO.	PART NO.	KANRI NO.	DESCRIPTION
C606	87-015-997-090		CAP,E 2200-16 SME	L41	87-003-143-080		COIL 4.7 UH<HE,HR>
CF1	87-A90-128-010		FLTR,AM IF CFAL-455	L301	87-007-342-010		COIL,OSC BIAS 85K
CF2	S2-9SF-E10-7P0		FM,CER FLTR 10.7MHZ	LED601	87-A40-622-010		L-34 HDSL
CF3	S2-9SF-E10-7P0		FM,CER FLTR 10.7MHZ	S1	8Z-CS5-606-010		SW,SL SK43D06 (4P3T)
CN301	S1-2S6-003-700		CONN,6P	S201	8Z-CS5-609-010		SW,PUSH PS12E03 (1P2T)
CN303	8Z-CS5-621-010		CONN,2P 53014-0210	S301	8Z-CS5-607-010		SW,SL SK42D01 (4P2T)
CN602	8Z-CS5-629-010		CONN,4P 53014 MOLEX(2),MOTOR	S302	S8-035-310-000		SW,SL 2P3T
CN603	8Z-CS5-622-010		CONN,2P 5268-02A	TC4	87-011-220-080		TRIMMER CAP 20P VTC<HE,HR>
D3	87-A40-226-080		VARI-CAP,SVC251SPA	TC5	87-011-221-080		CAP, TRIMMER 30P<EZ[S],EZ[L]>
L2	S7-A01-031-000		FM OSC COIL 5.5X2.5T<EZ[S],EZ[L]>	TC5	87-011-220-080		TRIMMER CAP 20P VTC<HE,HR>
L2	87-A50-347-010		COIL,FM BPF EX<HE,HR>	TC6	87-011-221-080		CAP, TRIMMER 30P<EZ[S],EZ[L]>
L3	87-A50-348-010		COIL,BAR ANT LW/MW<EZ[S],EZ[L]>	VC1	87-A91-318-010		TUN-CAP,20P-140P E<EZ[S],EZ[L]>
L3	87-A50-448-010		COIL,BAR ANT MW HE(COI)<HE,HR>	VC1	87-A91-317-010		TUN-CAP,20P-335P H(TWD)<HE,HR>
L4	87-A50-345-010		COIL,FM RF EX	VR401	8Z-CS5-617-010		VR,RTRY 50K*2 V RK14K12A
L5	87-A50-343-010		COIL,FM OSC EX<HE,HR>				
L5	S7-A01-301-000		FM OSC COIL 7X3.5<EZ[S],EZ[L]>	HEADPHONE C.B			
L7	87-A50-336-010		COIL,AM IFT (TOKO)	CN402	8Z-CSA-607-010		CONN,4P 53014-0410
L8	87-A50-335-010		COIL,FM IFT (TOKO)	CN403	8Z-CSA-607-010		CONN,4P 53014-0410
L9	87-A50-334-010		COIL,FM DET (TOKO)	J401	87-009-216-010		JACK, DIA 3.5
L10	87-003-102-080		COIL,10UH				
L11	87-A50-341-010		COIL,SW ANT (TOKO)<HE,HR>				
L16	87-A50-463-010		MW OSC COIL<HE,HR>				
L16	87-A50-339-010		COIL,LW OSC (TOKO)<EZ[S],EZ[L]>				
L17	87-A50-340-010		COIL,SW OSC (TOKO)<HE,HR>				
L17	87-A50-337-010		MW OSC COIL<EZ[S],EZ[L]>				

○チップ抵抗部品コード/CHIP RESISTOR PART CODE

チップ抵抗部品コードの成り立ち

Chip Resistor Part Coding



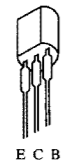
A
抵抗部品コード
Resistor Code

桁表示
Figure
抵抗値
Value of resistor

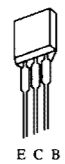
チップ抵抗
Chip resistor

容量 Wattage	種類 Type	許容誤差 Tolerance	記号 Symbol	寸法/Dimensions (mm)			抵抗コード : A Resistor Code : A	
				外形/Form	L	W		t
1/16W	1005	±5%	CJ		1.0	0.5	0.35	104
1/16W	1608	±5%	CJ		1.6	0.8	0.45	108
1/10W	2125	±5%	CJ		2	1.25	0.45	118
1/8W	3216	±5%	CJ		3.2	1.6	0.55	128

TRANSISTOR ILLUSTRATION



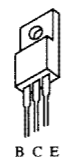
2SC1815
2SA1296



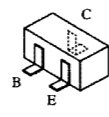
2SC1740
DTA124ES
DTC114YS
DTA144ES
DTC114ES
DTC124ES
2SA933S



2SC1923
2SA952

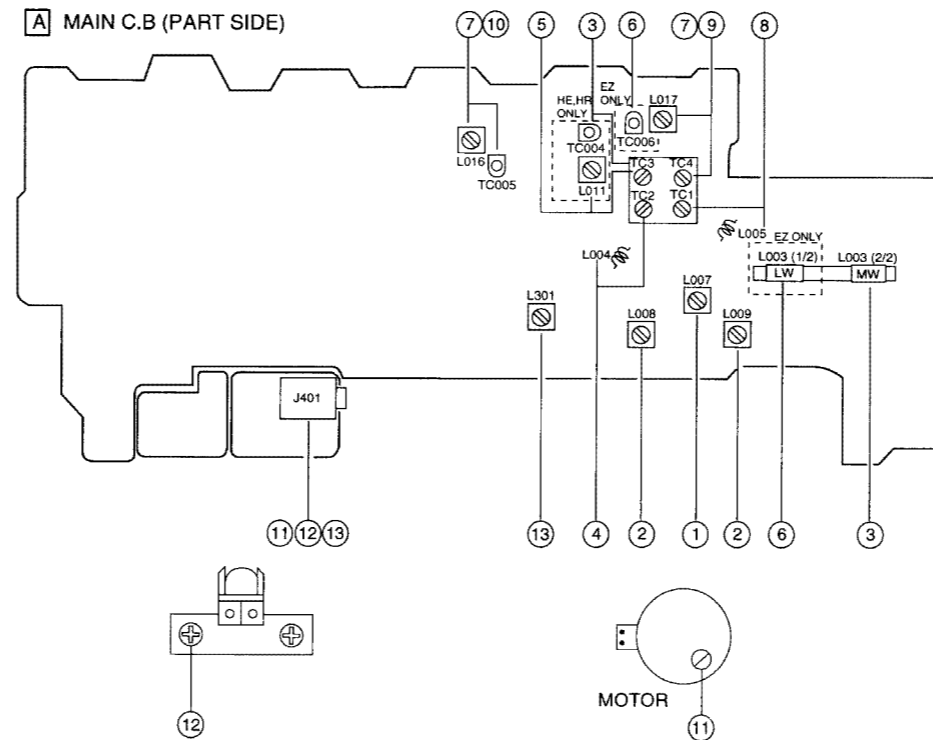


2SB1566



2SC2712GR
DTA124EK

ELECTRICAL ADJUSTMENT



< RADIO SECTION >

1. AM IF Adjustment
L007 455kHz
2. FM IF Adjustment
L008, L009 10.7MHz
- 3a. MW Tracking Adjustment <HE, HR>
L003 (2/2) 600kHz
TC004 1400kHz
- 3b. MW Tracking Adjustment <EZ>
L003 (2/2) 600kHz
TC3 1400kHz
4. FM Tracking Adjustment
L004 88MHz
TC2 108MHz
5. SW Tracking Adjustment <HE, HR>
L011 5.9MHz
TC3 18MHz
6. LW Tracking Adjustment <EZ>
L003 (1/2) 150kHz
TC006 280kHz

- 7a. MW Frequency Range Adjustment <HE, HR>
L016 515kHz
TC005 1635kHz
- 7b. MW Frequency Range Adjustment <EZ>
L017 515kHz
TC4 1635kHz
8. FM Frequency Range Adjustment
L005 87.35MHz <EZ> / 87MHz <HE, HR>
TC1 108.3MHz <EZ> / 109MHz <HE, HR>
9. SW Frequency Range Adjustment <HE, HR>
L017 5.8MHz
TC4 18.5MHz
10. LW Frequency Range Adjustment <EZ>
L016 145kHz
TC005 295kHz

< TAPE RECORDER SECTION >

11. Tape speed Adjustment
Condition: • Test tape: TTA-100
• Test point: PHONES JACK (J401)
• Adjustment location: SFR of deck motor
Method: Play back the test tape and adjust so that the output frequency is 3000Hz.
12. Azimuth Adjustment
Condition: • Test tape: TTA-320
• Test point: PHONES JACK (J401)
• Adjustment location: Azimuth adjustment screw
Method: Play back the test tape and adjust so that the output is maximum.
13. AC Bias Adjustment
Condition: • Test tape: TTA-630
• Test point: PHONES JACK (J401)
• Adjustment location: L301
Method: Set up the recording mode. Adjust L301 so that the test point becomes 75kHz.

PRACTICAL SERVICE FIGURE

< RADIO SECTION >

<FM Section>	
Sensitivity:	Less than 20dB [at 87.5 / 98 / 108MHz]
S/N Ratio:	More than 55dB [at 98MHz]
Distortion (Input 54dB):	Less than 1.5% [at 98MHz]
Distortion (Input 120dB):	Less than 5.0% [at 98MHz]
FM stereo separation: (Input 1kHz)	More than 18dB [at 98MHz]
Intermediate frequency:	10.7MHz ± 0.1MHz

<AM(MW) Section>

Sensitivity (S/N 10dB):	Less than 45dB [at 600 / 1000 / 1400kHz]
S/N Ratio:	More than 35dB [at 1000kHz]
Distortion (Input 74dB):	Less than 1.5% [at 1000kHz]
Distortion (Input 120dB):	Less than 3.0% [at 1000kHz]
Intermediate frequency:	455kHz ± 3.5kHz

<LW Section><EZ only>

Sensitivity (S/N 10dB):	Less than 55dB [at 150 / 200 / 285 kHz]
Distortion (Input 74dB):	Less than 3.0% [at 200kHz]
Distortion (Input 120dB):	Less than 3.5% [at 200kHz]
Intermediate frequency:	455kHz ± 3.5kHz

<SW Section><HE, HR only>

Sensitivity (S/N 10dB):	43dB ± 5dB [at 5.9MHz]
S/N Ratio:	47dB ± 5dB [at 12.0MHz]
Distortion (Input 54dB):	45dB ± 5dB [at 18.0MHz]
S/N Ratio (Input 54dB):	More than 20dB [at 12.0MHz]
Intermediate frequency:	10.7MHz

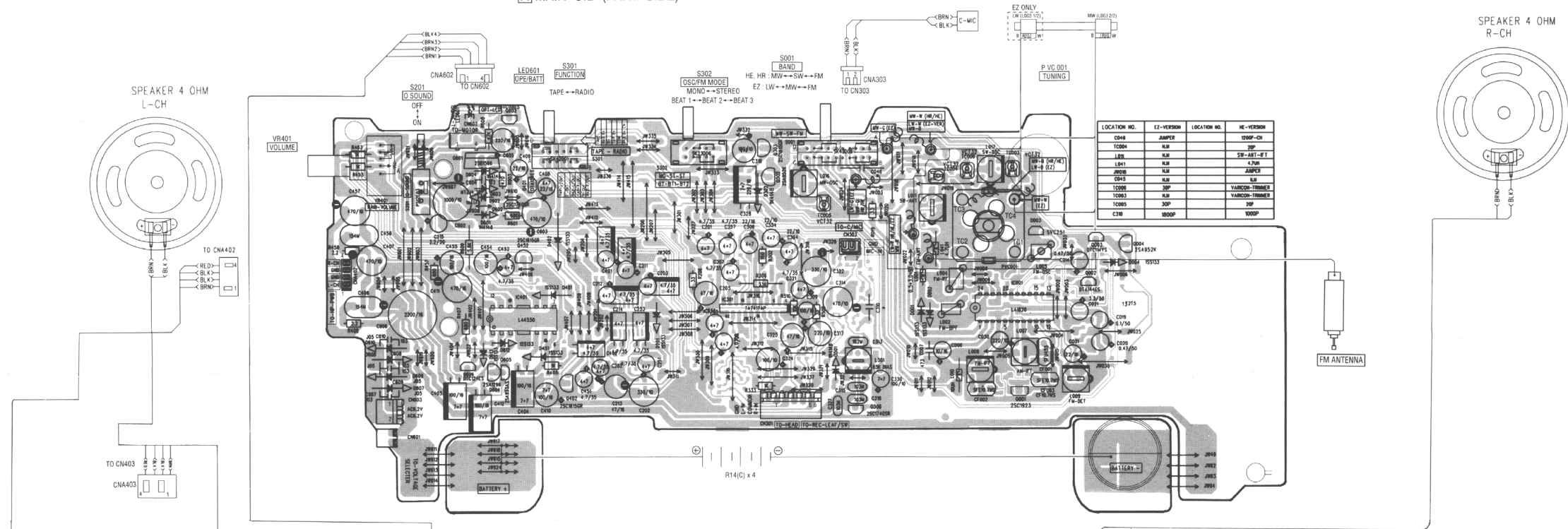
< TAPE RECORDER SECTION >

PB output level:	More than 0.9W (DC, AC)
Distortion:	Less than 3%(PB, DC) Less than 5%(REC/PB, AC)
S/N ratio:	More than 40dB (PB, DC, AC) More than 25dB (REC/PB, AC, DC)
Erasing ratio:	More than 50dB
Noise level:	Less than 25mV (DC, AC, PB, VOL MAX) Less than 1.0mV (DC, AC, PB, VOL MIN)
Test tape:	TTA-100 NORMAL TTA-601 TTA-210

1 2 3 4 5 6 7 8 9 10 11 12 13 14 15 16 17 18 19 20

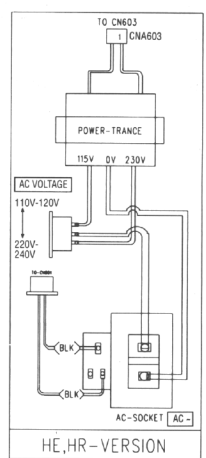
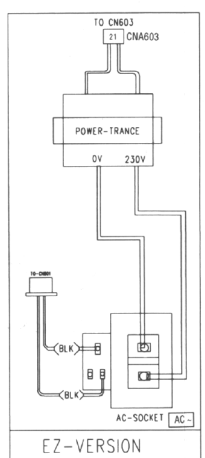
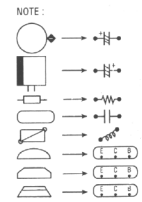
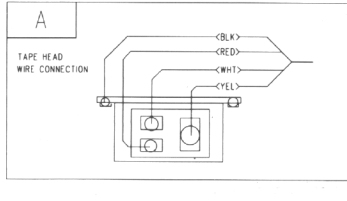
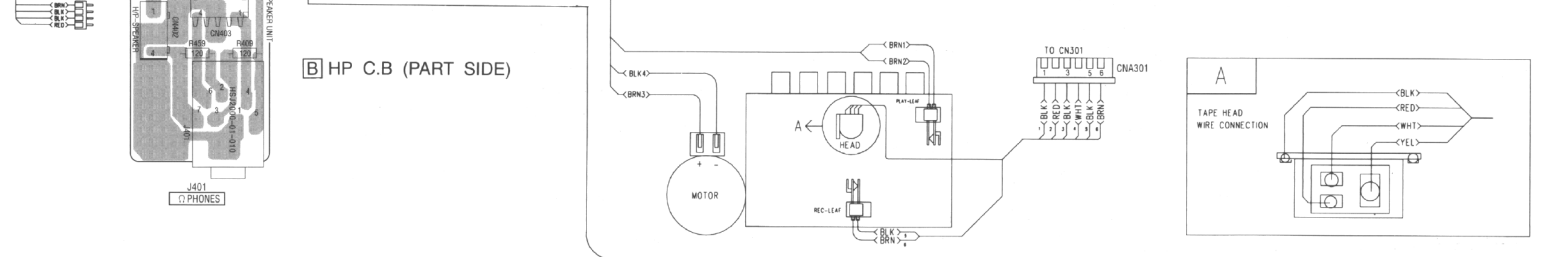
A
B
C
D
E
F
G
H
I
J
K
L
M
N
O

[A] MAIN C.B. (PART SIDE)

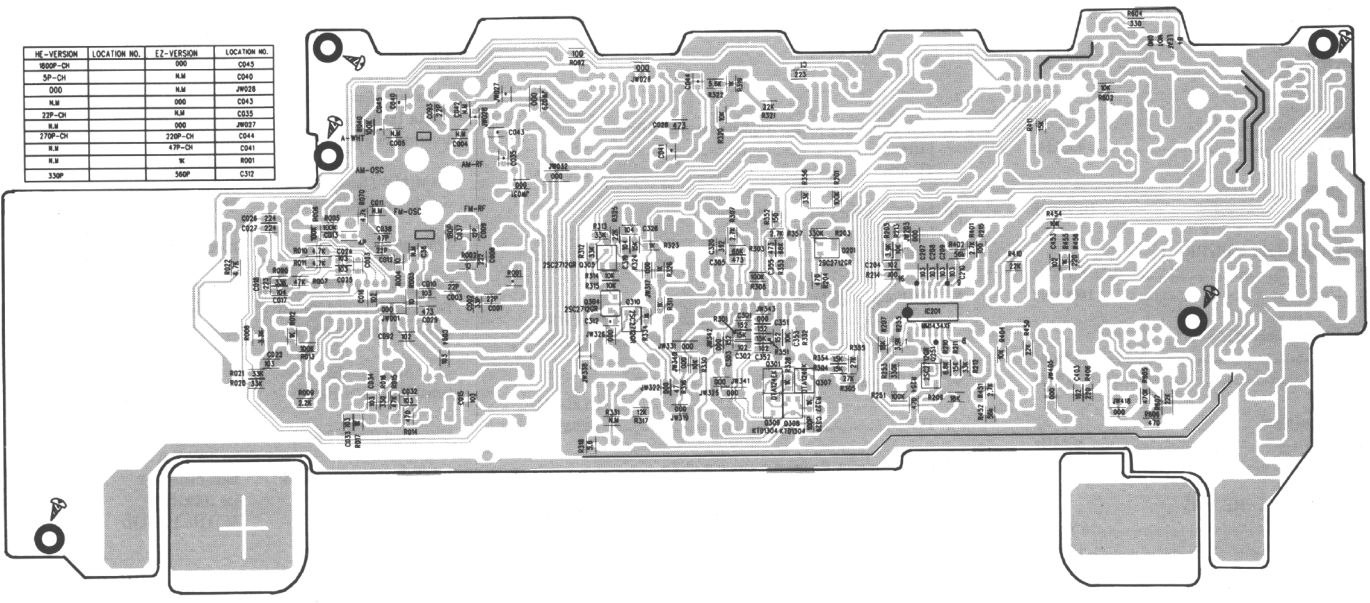


LOCATION NO.	EZ-VERSION	LOCATION NO.	HE-VERSION
C044	JUMPER	C204P-CH	
T0004	N.M.	JOP	
L001	N.M.	SW-JST-#1	
L002	N.M.	SW-JST-#2	
J0003	N.M.	47M	
C045	N.M.	JUMPER	
T0005	JOP	YANCOB-TIMBER	
T0003	N.M.	YANCOB-TIMBER	
T0005	JOP	JOP	
C316	1000P	1000P	

[B] HP C.B. (PART SIDE)

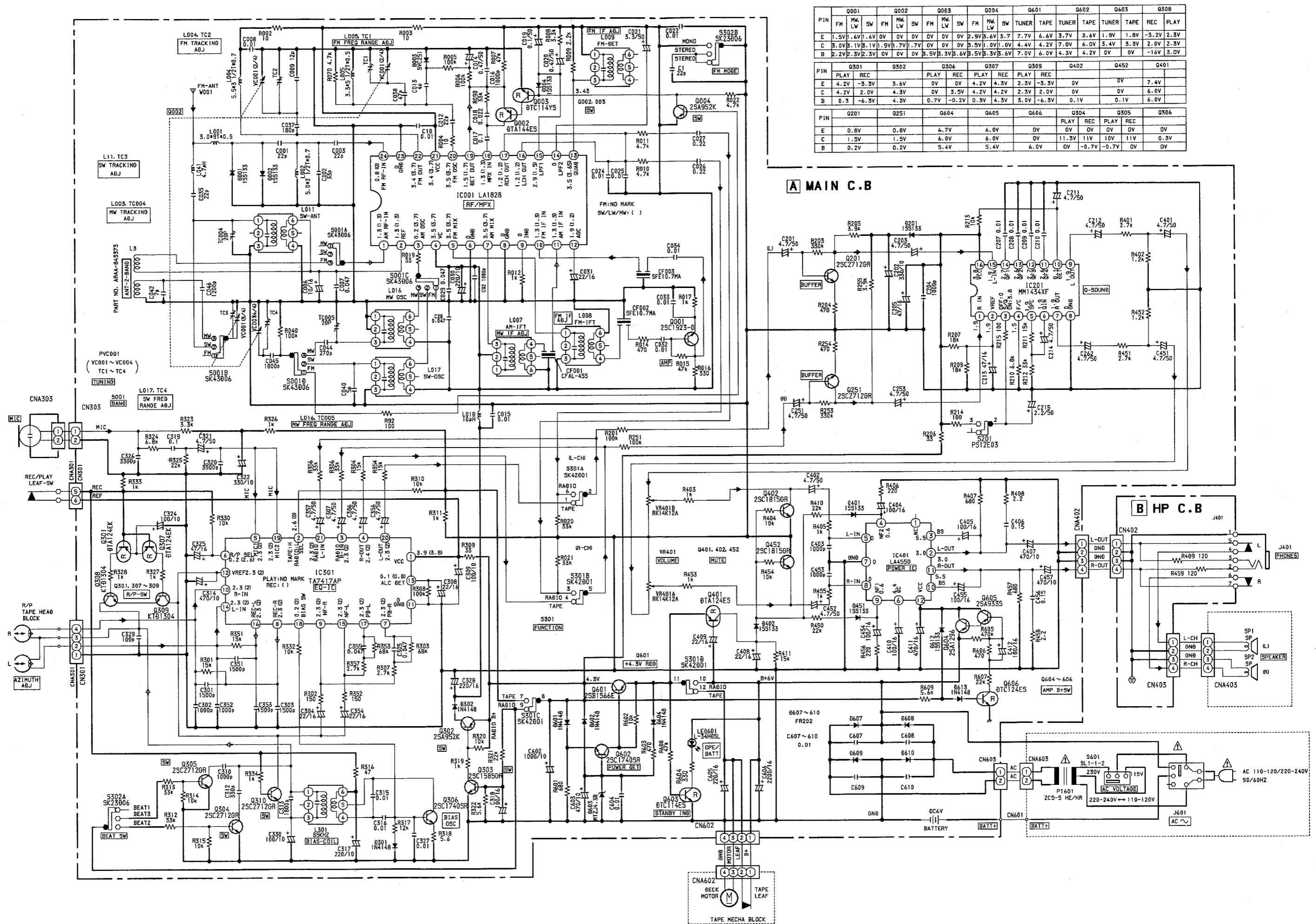


[A] MAIN C.B. (PATTERN SIDE)



HE-VERSION	LOCATION NO.	EZ-VERSION	LOCATION NO.
1000P-CH	500	C044	
SP-CH	N.M.	C040	
500	N.M.	J0023	
N.M.		C043	
170P-CH	N.M.	C035	
N.M.		J0037	
170P-CH	220P-CH	C044	
N.M.	470P-CH	C041	
N.M.	W	R001	
330P	50P	C032	

SCHEMATIC DIAGRAM - 1 (MAIN : HE, HR)



PIN	Q001		Q002		Q003		Q004		Q401		Q402		Q403		Q308					
	FM	MW	SW	FM	MW	SW	FM	MW	SW	TUNER	TAPE	TUNER	TAPE	TUNER	TAPE	REC	PLAY			
E	1.5V	1.6V	1.6V	0V	0V	0V	0V	0V	0V	2.9V	5.6V	3.7V	7.7V	6.6V	3.7V	3.6V	1.9V	1.6V	-3.2V	2.3V
C	3.0V	3.1V	3.1V	1.9V	1.7V	1.7V	0V	0V	0V	5.5V	1.0V	1.0V	4.4V	4.2V	7.0V	6.0V	3.4V	3.3V	2.0V	2.3V
B	2.2V	2.3V	2.3V	0V	0V	0V	0V	0V	0V	5.5V	3.3V	3.3V	6.6V	6.0V	4.3V	6.0V	4.3V	0V	-16V	3.0V

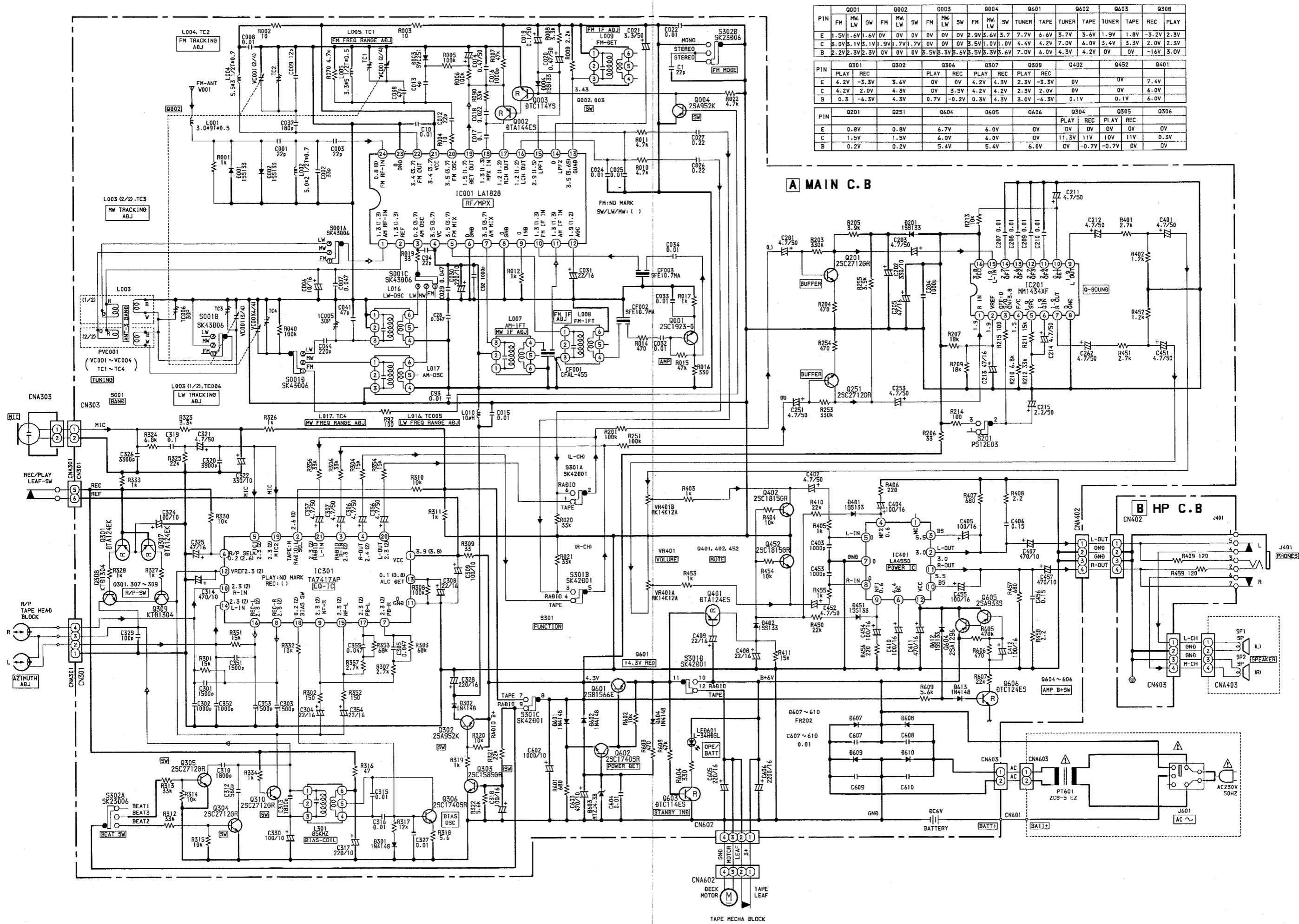
PIN	Q301		Q302		Q306		Q307		Q309		Q402		Q452		Q401	
	PLAY	REC	PLAY	REC	PLAY	REC	PLAY	REC	PLAY	REC	PLAY	REC	PLAY	REC	PLAY	REC
E	4.2V	-3.3V	3.6V	0V	0V	4.2V	4.3V	2.3V	-3.3V	0V	0V	0V	0V	0V	0V	7.4V
C	4.2V	2.0V	4.3V	0V	3.5V	4.2V	4.2V	2.3V	2.0V	0V	0V	0V	0V	0V	0V	6.0V
B	0.3V	-6.3V	4.3V	0V	0.7V	-0.2V	0.3V	4.3V	3.0V	-6.3V	0.1V	0.1V	0.1V	0.1V	0V	0V

PIN	Q201		Q251		Q604		Q605		Q606		Q304		Q305		Q306	
	PLAY	REC	PLAY	REC	PLAY	REC	PLAY	REC	PLAY	REC	PLAY	REC	PLAY	REC	PLAY	REC
E	0.8V	0.8V	6.7V	6.0V	6.0V	0V	0V	0V	0V	0V	0V	0V	0V	0V	0V	0V
C	1.5V	1.5V	6.0V	6.0V	6.0V	11.3V	11V	10V	11V	0V	0V	0V	0V	0V	0V	0V
B	0.2V	0.2V	5.4V	5.4V	5.4V	6.0V	-0.7V	-0.7V	0V	0V	0V	0V	0V	0V	0V	0V

A MAIN C.B

B HP C.B

SCHEMATIC DIAGRAM - 2 (MAIN : EZ)

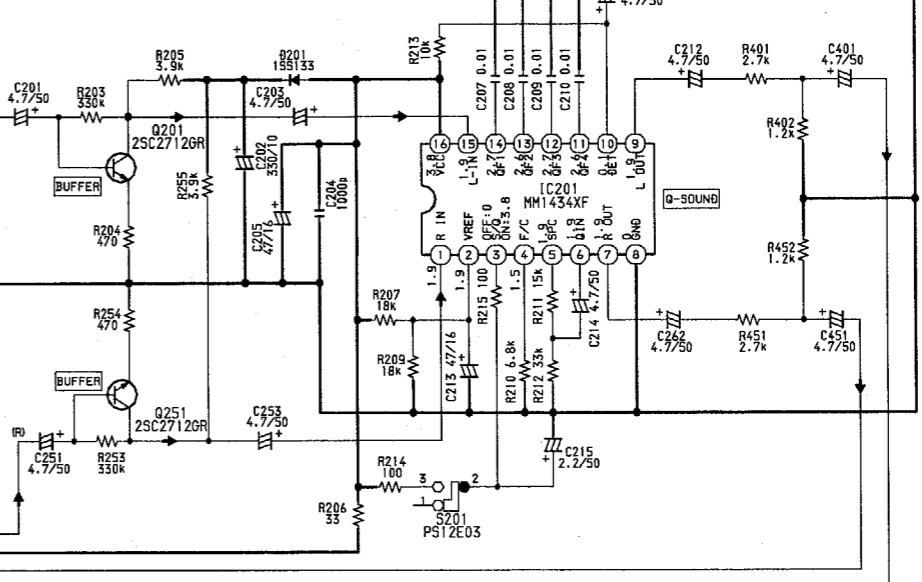


PIN	Q001			Q002			Q003			Q004			Q601			Q602			Q603			Q308	
	FM	MW	SW	FM	MW	SW	FM	MW	SW	FM	MW	SW	TUNER	TAPE	TUNER	TAPE	TUNER	TAPE	TUNER	TAPE	REC	PLAY	
E	1.5V	-6V	1.6V	0V	0V	0V	0V	0V	0V	2.9V	5.6V	3.7	7.7V	6.6V	3.7V	3.6V	1.9V	1.8V	-3.2V	2.3V			
C	5.0V	5.1V	5.1V	1.9V	1.7V	1.7V	0V	0V	0V	5.5V	1.0V	1.0V	4.4V	4.2V	7.0V	6.0V	3.4V	3.3V	2.0V	2.3V			
B	2.2V	3.2V	3.3V	0V	0V	0V	0V	0V	0V	5.5V	5.3V	5.6V	7.0V	6.0V	4.3V	0V	0V	0V	0V	-16V	3.0V		

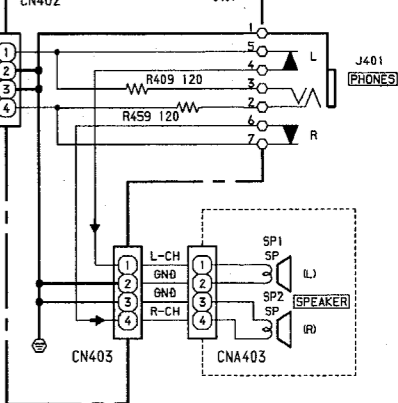
PIN	Q301		Q302		Q306		Q307		Q309		Q402		Q452		Q401	
	PLAY	REC	PLAY	REC	PLAY	REC	PLAY	REC	PLAY	REC	PLAY	REC	PLAY	REC	PLAY	REC
E	4.2V	-3.3V	3.6V	0V	0V	4.2V	4.3V	2.3V	-3.3V	0V					7.4V	
C	4.2V	2.0V	4.3V	0V	3.5V	4.2V	4.2V	2.3V	2.0V	0V					6.0V	
B	0.3V	-6.3V	4.3V	0V	0.7V	-0.2V	0.3V	3.0V	-6.3V	0.1V					6.0V	

PIN	Q201		Q251		Q604		Q605		Q606		Q304		Q305		Q306	
	PLAY	REC	PLAY	REC	PLAY	REC	PLAY	REC	PLAY	REC	PLAY	REC	PLAY	REC	PLAY	REC
E	0.8V	0.8V	6.7V	6.0V	0V	0V	0V	0V	0V	0V	0V	0V	0V	0V	0V	0V
C	1.5V	1.5V	6.0V	6.0V	0V	0V	0V	0V	0V	0V	11.3V	11V	10V	11V	0.8V	0.8V
B	0.2V	0.2V	5.4V	5.4V	6.0V	6.0V	6.0V	6.0V	6.0V	6.0V	-0.7V	-0.7V	0V	0V	0V	0V

A MAIN C.B

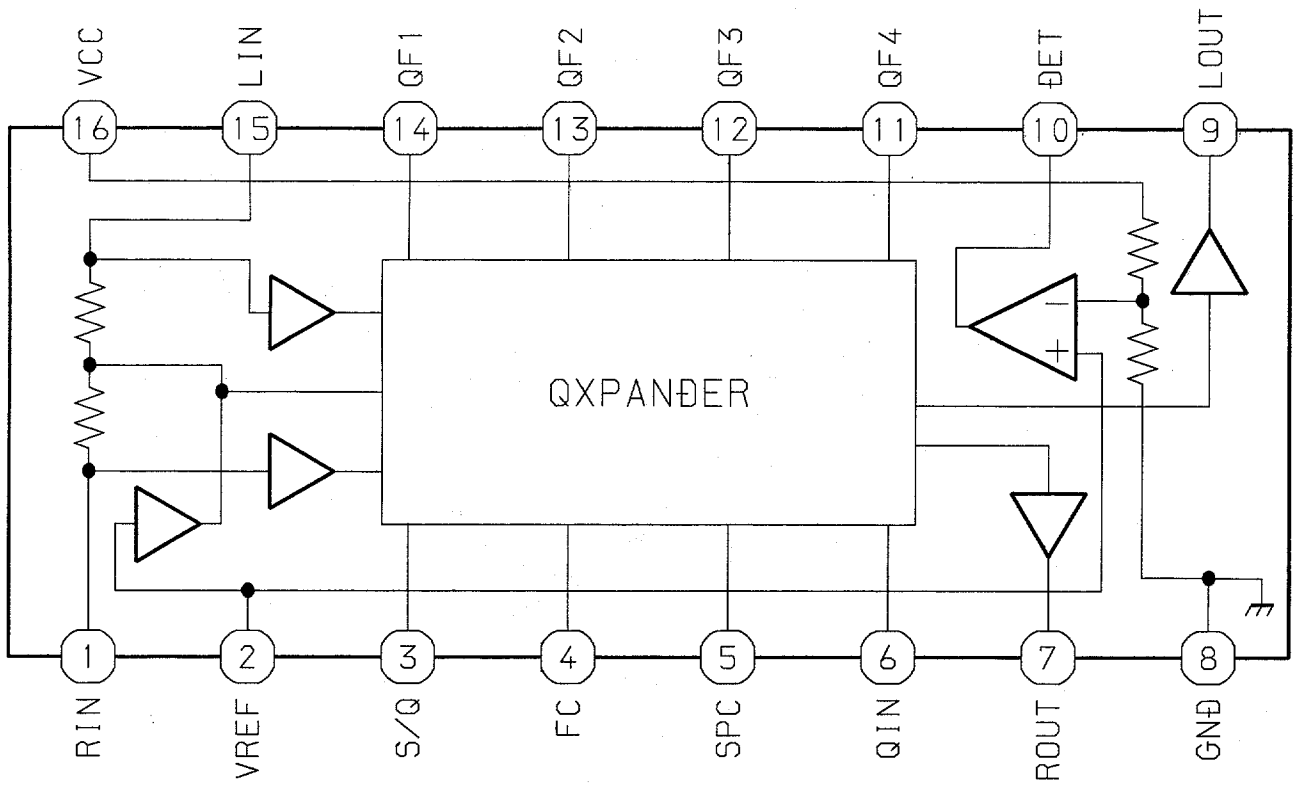


B HP C.B

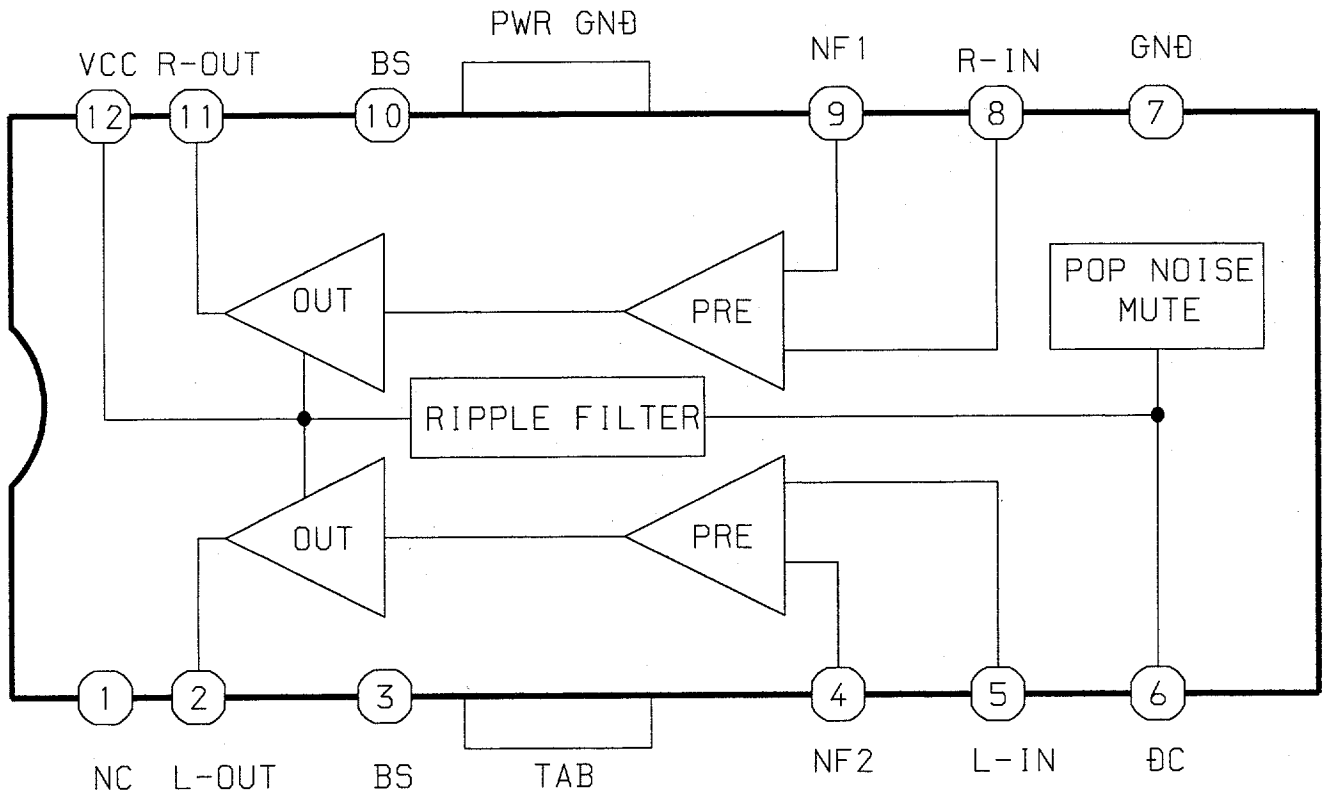


IC BLOCK DIAGRAM

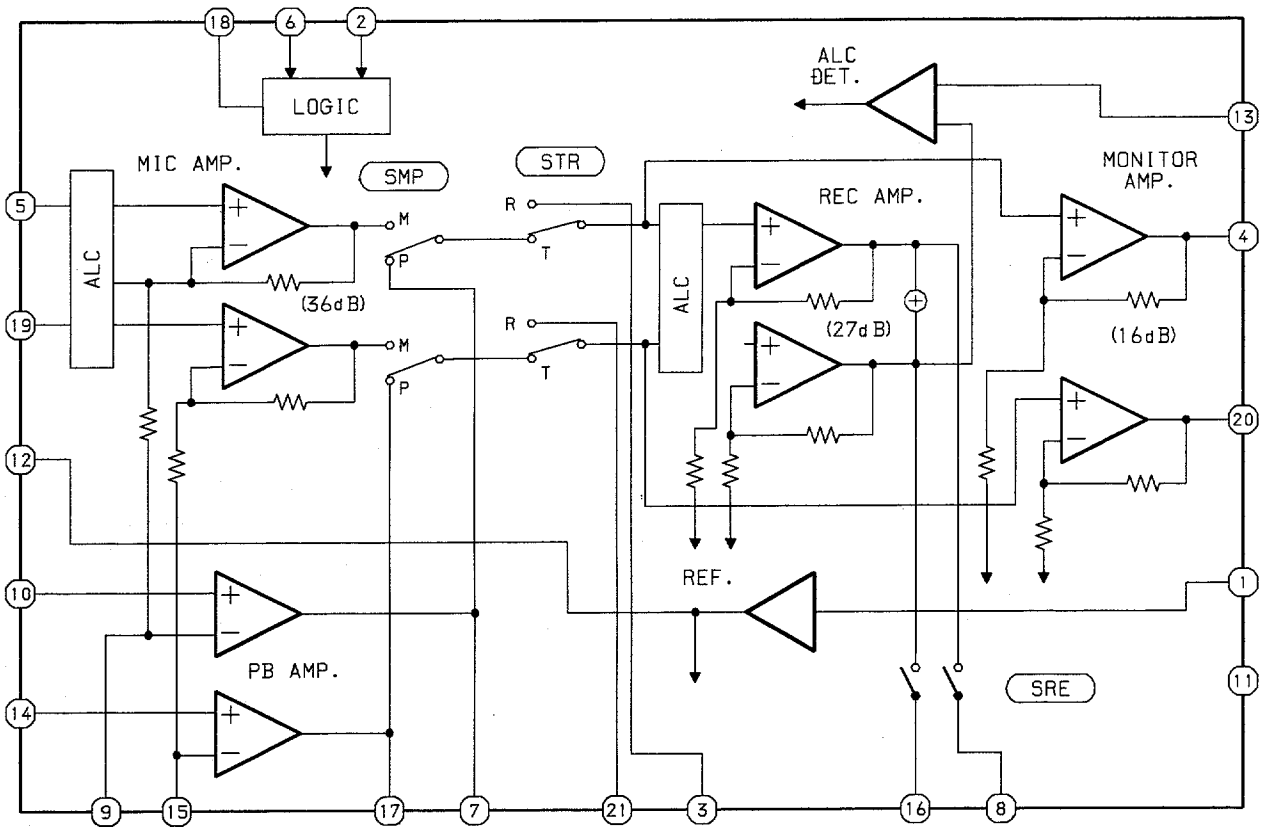
IC, MM1434XF



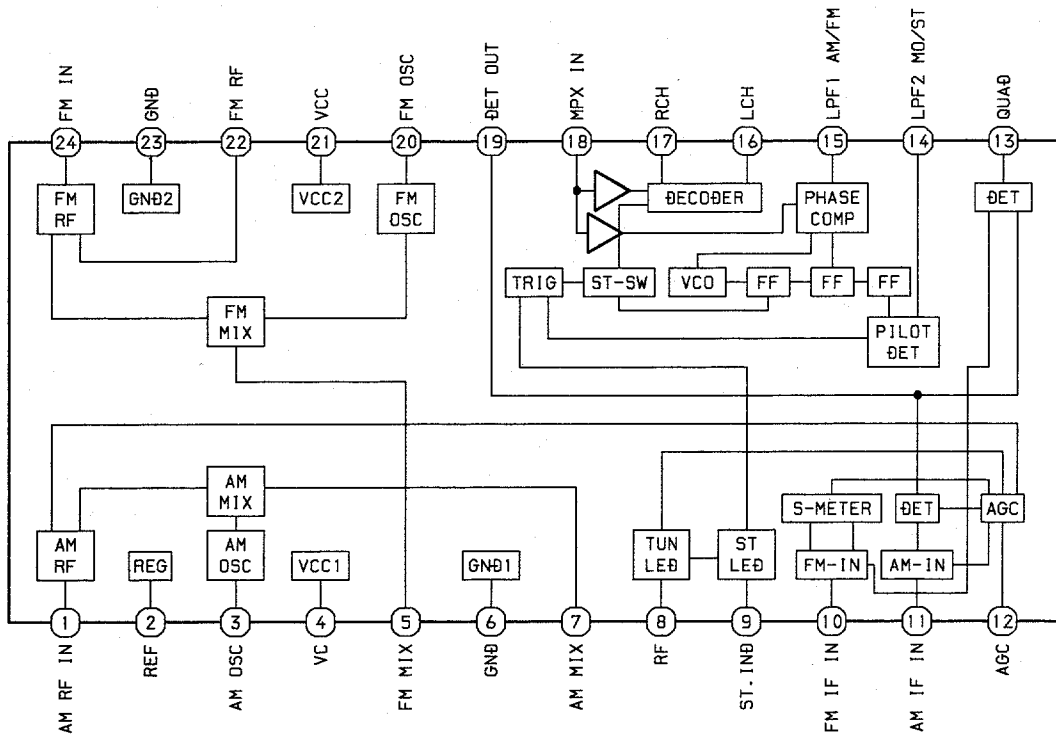
IC, LA4550

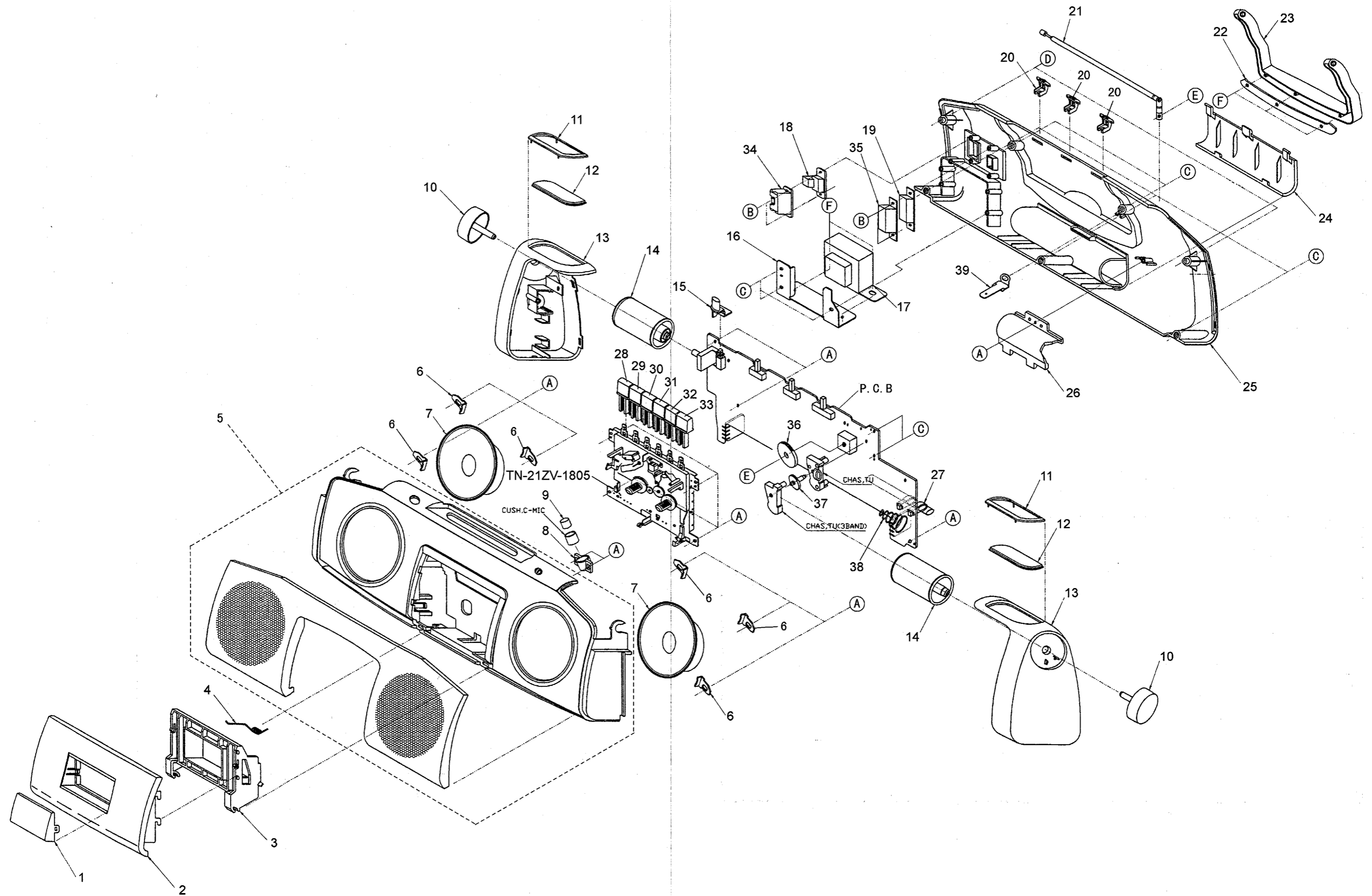


IC, TA7417AP



IC, LA1828





MECHANICAL PARTS LIST 1/1

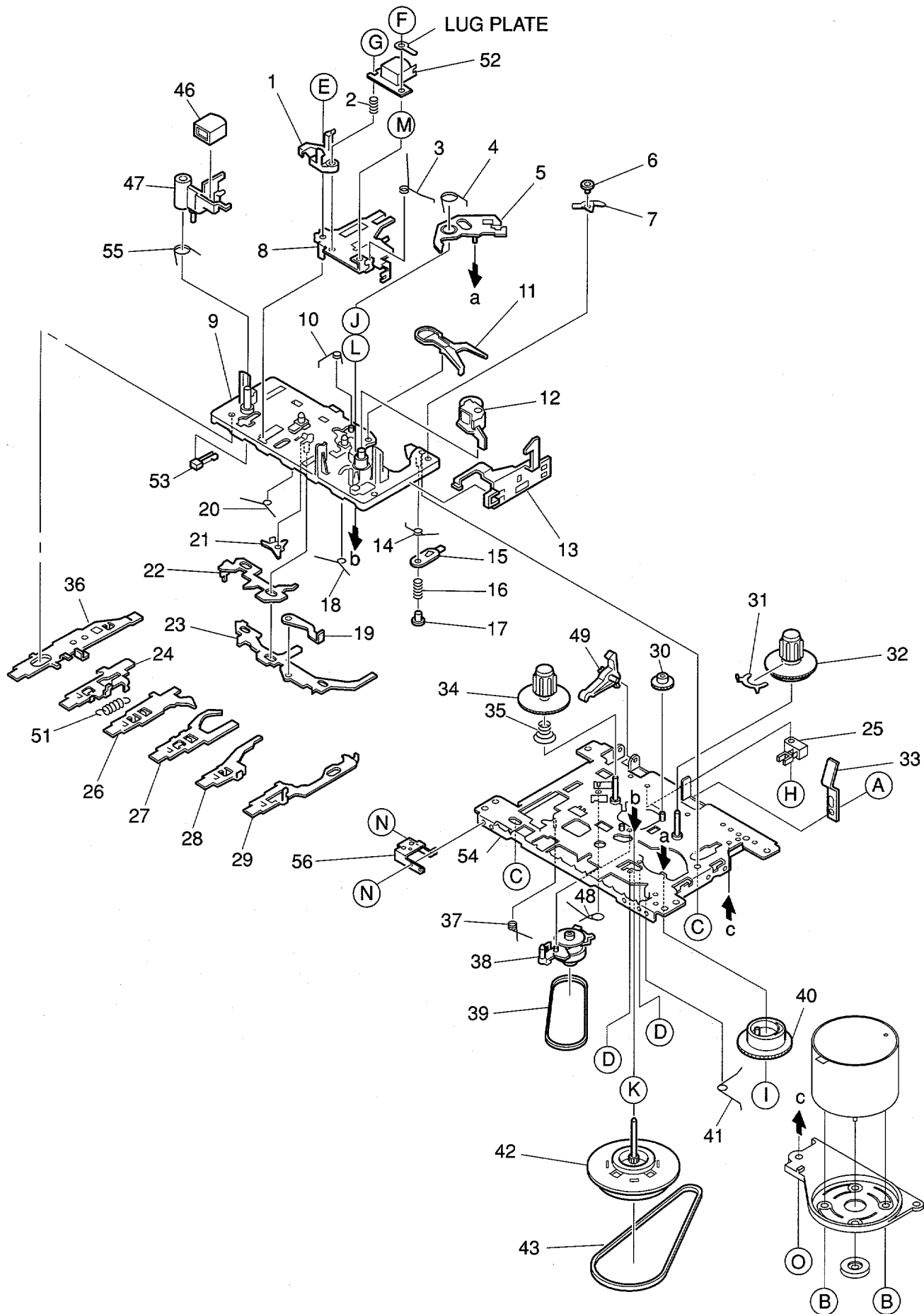
If can't understand for Description please kindly refer to "REFERENCE NAME LIST".

REF. NO.	PART NO.	KANRI NO.	DESCRIPTION	REF. NO.	PART NO.	KANRI NO.	DESCRIPTION
1	8Z-CS5-007-010		WINDOW, CASS	21	8Z-CS5-628-010		ANT, ROD
2	8Z-CS5-045-010		LID, CASS EZ<EZS>	22	8Z-CS5-019-010		COVER, HANDLE<EZS>
2	8Z-CS5-111-010		LID, CASS EZ (BLUE)<EZL>	22	8Z-CS5-077-010		COVER, HANDLE (BLACK)<HEJB>
2	8Z-CS5-065-010		LID, CASS HR (BLACK)<HEJB>	22	8Z-CS5-107-010		COVER, HANDLE (BLUE)<HRJL, EZL>
2	8Z-CS5-095-010		LID, CASS HR (BLUE)<HRJL>	23	8Z-CS5-009-010		HANDL, <EZS>
3	8Z-CS5-020-010		HLDR, CASS<EZS>	23	8Z-CS5-067-010		HANDL, (BLACK)<HEJB>
3	8Z-CS5-078-010		HLDR, CASS (BLACK)<HEJB>	23	8Z-CS5-097-010		HANDL, (BLUE)<HRJL, EZL>
3	8Z-CS5-108-010		HLDR, CASS (BLUE)<HRJL, EZL>	24	8Z-CS5-006-010		LID, BATT<EZS>
4	8Z-CS5-211-010		SPR, LID-CASS	24	8Z-CS5-066-010		LID, BATT (BLACK)<HEJB>
5	SZ-CFC-P88-EZS		CABI, FR EZS(W/GRILLE)<EZS>	24	8Z-CS5-096-010		LID, BATT (BLUE)<HRJL, EZL>
5	SZ-CFC-P88-HEB		CABI, FR HE(W/GRILLE)<HEJB>	25	8Z-CS5-049-010		CABI, REAR EZ<EZS>
5	SZ-CFC-P88-HRL		CABI, FR HR(W/GRILLE)<HRJL, EZL>	25	8Z-CS5-110-010		CABI, REAR EZ (BLUE)<EZL>
6	8Z-CS5-209-010		HLDR, SPKR	25	8Z-CS5-062-010		CABI, REAR HR (BLACK)<HEJB>
7	8Z-CS5-627-010		SPKR, 4OHM	25	8Z-CS5-092-010		CABI, REAR HR (BLUE)<HRJL>
8	8Z-CS5-206-010		HLDR, C-MIC	26	8Z-CS5-205-010		HLDR, BATT
9	8Z-CSA-636-010		MIC, ECM.CMT-64	27	8Z-CS5-207-010		HLDR, ANT
10	8Z-CS5-010-010		KNOB, RTRY VOL<EXCEPT HEJB>	28	8Z-CS5-011-010		KEY, PAUSE
10	8Z-CS5-068-010		KNOB, RTRY VOL (BLACK)<HEJB>	29	8Z-CS5-012-010		KEY, STOP
11	8Z-CS5-021-010		RING, TU-WINDOW	30	8Z-CS5-013-010		KEY, FF
12	8Z-CS5-043-010		WINDOW, TUNING EZ<EZS, EZL>	31	8Z-CS5-014-010		KEY, REW
12	8Z-CS5-029-010		WINDOW, TUNING HR<HEJB, HRJL>	32	8Z-CS5-015-010		KEY, PLAY
13	8Z-CS5-027-010		CABI, SIDE (L) EX<EXCEPT HEJB>	33	8Z-CS5-016-010		KEY, REC
13	8Z-CS5-028-010		CABI, SIDE (R) EX<EXCEPT HEJB>	34	88-CD9-207-010		COVER, AC SOCKET
13	8Z-CS5-063-010		CABI, SIDE-L EX (BLACK)<HEJB>	35	88-CD9-209-010		COVER, VOLTAGE<HEJB, HRJL>
13	8Z-CS5-064-010		CABI, SIDE-R EX (BLACK)<HEJB>	36	8Z-CS5-216-010		DRUM, PULLEY (3BAND)
14	8Z-CS5-202-010		DRUM, SCALE	37	8Z-CS5-204-010		GEAR, TUNING
15	8Z-CS5-017-010		KEY, Q-SOUND	38	8Z-CS5-212-010		SPR, BATT
16	8Z-CS5-208-010		HLDR, TRANS	39	8Z-CS5-210-010		TERMINAL, ANT
△	8Z-CS5-635-010		PT, EZ<EZS, EZL>	A	87-741-095-410		UT2+3-8 GLD
△	8Z-CS5-636-010		PT, HR<HEJB, HRJL>	B	87-651-075-410		VT1 +2.6-10
△	8Z-CD9-635-010		JACK, AC E BLK W/SW	C	87-741-100-410		UT2+3-16(W/O) SLOT
△	87-A90-146-010		SW, SL 1-1-2<HEJB, HRJL>	D	87-741-103-410		UT2+3-25
20	8Z-CS5-018-010		KNOB, SL<EZS>	E	87-251-072-410		U+2.6-5
20	8Z-CS5-076-010		KNOB, SL (BLACK)<HEJB>	F	87-721-094-410		QT2+3-6 GLD
20	8Z-CS5-106-010		KNOB, SL (BLUE)<HRJL, EZL>				

COLOR NAME TABLE

Basic color symbol	Color	Basic color symbol	Color	Basic color symbol	Color
B	Black	C	Cream	D	Orange
G	Green	H	Gray	L	Blue
LT	Transparent Blue	N	Gold	P	Pink
R	Red	S	Sliver	ST	Titan Silver
T	Brown	V	Violet	W	White
WT	Transparent White	Y	Yellow	YT	Transparent Yellow
LM	Metallic Blue	LL	Light Blue	GT	Transparent Green
LD	Dark Blue	DT	Transparent Orange		

TAPE MECHANISM EXPLODED VIEW 1 / 1



TAPE MECHANISM PARTS LIST 1 / 1

If can't understand for Description please kindly refer to "REFERENCE NAME LIST".

REF. NO.	PART NO.	KANRI NO.	DESCRIPTION	REF. NO.	PART NO.	KANRI NO.	DESCRIPTION
1	S1-921-030-4A0		HEAD BASE	36	S1-921-140-030		REC BUTTON LEVER
2	S1-821-030-070		AZIMUTH SPRING	37	S1-921-140-170		P.S.LEVER SPRING
3	S1-921-030-090		PANEL P SPRING	38	S1-921-073-040		RF CLUTCH ASSY
4	S1-921-260-050		GEAR PLATE SPRING	39	S1-921-070-030		RF BELT
5	S1-921-265-020		GEAR PLATE ASSY	40	S1-921-260-020		CAM GEAR
6	S1-921-140-370		P ARM COLLER	41	S1-921-140-160		E ACTUATOR SPRING
7	S1-921-020-010		REC ARM	42	S1-921-093-030		FLYWHEEL ASSY
8	S1-921-030-110		HEAD PANEL	43	S1-921-090-240		MAIN BELT
9	S1-921-143-160		BASE ASSY	44	S1-921-120-010		MOTOR PULLEY
10	S1-921-141-8A0		M CONTROL SPRING	45	S6-002-010-120		MOTOR EG530AD-6F
11	S1-921-260-4A0		SENSING LEVER	46	S6-209-100-100		E HEAD PH-K380-MS1
12	S1-921-043-090		PINCH ROLLER ARM ASY	47	S1-921-030-050		MG ARM
13	S1-921-130-010		EJECT SLIDE LEVER	48	S1-921-140-210		REC BUTTON LEVER SPRING
14	S1-921-141-3A0		P CONTROL SPRING	49	S1-821-100-690		RECORD SAFETY LEVER
15	S1-921-140-550		PAUSE LEVER(E)	50	S1-921-120-080		MOTOR BRACKET
16	S1-921-140-120		PAUSE LEVER SPRING	51	S1-821-010-500		PLAY BUTTON LEVER SPRING
17	S1-921-140-110		PAUSE STOPPER	52	S6-201-011-110		HEAD, RP7442ES-0951
18	S1-921-140-150		BUTTON LEVER SPRING(B)	53	S6-401-011-490		LEAF SW MSW-1541T
19	S1-821-011-590		E KICK LEVER	54	S1-921-015-010		CHASSIS ASSY
20	S1-921-140-140		BUTTON LEVER SPRING(A)	55	S1-921-030-100		MG ARM SPRING
21	S1-921-140-200		PR STOPPER	A	S9-P33-200-320		DEL TITE SCREWM2-3
22	S1-921-140-090		SWITCH ACTUATOR	B	S1-921-120-020		MOTOR COLLER SCREW
23	S1-921-140-080		PUSH BUTTON ACTUATOR	C	S9-B10-200-510		P TAPPING BIND SCREW M2-5
24	S1-921-140-190		PLAY BUTTON LEVER	D	S9-C07-204-510		SCREW, TAPPING(CAMERA)M2-4.5
25	S6-401-010-380		LEAF SWITCH MSW-1275	E	S9-P01-200-610		SCREW, M2-6
26	S1-921-140-040		REW BUTTON LEVER	F	S9-B01-200-310		(+)BIND SCREW M2-3
27	S1-921-140-050		FF, BUTTON REVER	G	S9-F08-200-710		AZIMUTH SCREW M2-7
28	S1-921-140-060		STOP BUTTON LEVER	H	S9-P04-200-510		C TAPPING SCREW M2-5
29	S1-921-140-600		PAUSE BUTTON LEVER	I	S9-W02-300-100		P WASHER CUT 1.2-3.8-0.3
30	S1-821-100-700		FF GEAR	J	S9-W02-500-100		P WASHER CUT 1.45-3.8-0.5
31	S1-921-050-060		SENSOR	K	S9-W01-400-100		P WASHER 2-3.5-0.4
32	S1-921-053-100		TAKE UP REEL ASSY	L	S9-W01-130-200		P WASHER 2.1-4-0.13
33	S1-829-100-010		PACK SPRING	M	S9-W13-000-100		Y WASHER PB 0.1T
34	S1-921-050-150		S REEL HUB	N	S9-P04-200-410		C TAPPING SCREW M2-4
35	S1-921-050-220		BACK TENSION SPRING	O	S1-921-120-030		MB SCREW

REFERENCE NAME LIST

ELECTRICAL SECTION

DESCRIPTION	REFERENCE NAME
ANT	ANTENNAS
C-	CHIP
C-CAP	CAP, CHIP
C-CAP TN	CAP, CHIP TANTALUM
C-COIL	COIL, CHIP
C-DI	DIODE, CHIP
C-DIODE	DIODE, CHIP
C-FET	FET, CHIP
C-FOTR	FILTER, CHIP
C-JACK	JACK, CHIP
C-LED	LED, CHIP
C-RES	RES, CHIP
C-SFR	SFR, CHIP
C-SLIDE SW	SLIDE SWITCH, CHIP
C-SW	SWITCH, CHIP
C-TR	TRANSISTOR, CHIP
C-VR	VOLUME, CHIP
C-ZENER	ZENER, CHIP
CAP, CER	CAP, CERA-SOL
CAP, E	CAP, ELECT
CAP, M/F	CAP, FILM
CAP, TC	CAP, CERA-SOL
CAP, TC-U	CAP, CERA-SOL SS
CAP, TN	CAP, TANTALUM
CERA FIL	FILTER, CERAMIC
CF	FILTER, CERAMIC
DL	DELAY LINE
E/CAP	CAP, ELECT
FILT	FILTER
FLTR	FILTER
FUSE RES	RES, FUSE
MOT	MOTOR
P-DIODE	PHOTO DIODE
P-SNSR	PHOTO SENSER
P-TR	PHOTO TRANSISTOR
POLY VARI	VARIABLE CAPACITOR
PPCAP	CAP, PP
PT	POWER TRANSFORMER
PTR, RES	PTR, MELF
RC	REMOTE CONTROLLER
RES NF	RES, NON-FLAMMABLE
RESO	RESONATOR
SHLD	SHIELD
SOL	SOLENOID
SPKR	SPEAKER
SW, LVR	SWITCH, LEVER
SW, RTRY	SWITCH, ROTARY
SW, SL	SWITCH, SLIDE
TC CAP	CAP, CERA-SOL
THMS	THERMISTOR
TR	TRANSISTOR
TRIMER	CAP, TRIMMER
TUN-CAP	VARIABLE CAPACITOR
VIB, CER	RESONATOR, CERAMIC
VIB, XTAL	RESONATOR, CRYSTAL
VR	VOLUME
ZENER	DIODE, ZENER

MECHANICAL SECTION

DESCRIPTION	REFERENCE NAME
ADHESHIVE	SHEET ADHESHIVE
AZ	AZIMUTH
BAR-ANT	BAR-ANTENNA
BAT	BATTERY
BATT	BATTERY
BRG	BEARING
BTN	BUTTON
CAB	CABINET
CASS	CASSETTE
CHAS	CHASSIS
CLR	COLLAR
CONT	CONTROL
CRSR	CURSOR
CU	CUSHION
CUSH	CUSHION
DIR	DIRECTION
DUBB	DUBBING
FL	FRONT LOADING
FLY-WHL	FLYWHEEL
FR	FRONT
FUN	FUNCTION
G-CU	G-CUSHION
HDL	HANDOL
HIMERON	CLOTH
HINGE, BAT	HINGE, BATTERY
HLDR	HOLDER
HT-SINK	HEAT SINK
IB	INSTRUCTION BOOKLET
IDLE	IDLER
IND, L-R	INDICATOR, L-R
KEY, CONT	KEY, CONTROL
KEY, PRGM	KEY, PROGRAM
KNOB, SL	KNOB, SLIDE
LBL	LABEL
LID, BATT	LID, BATTERY
LID, CASS	LID, CASSETTE
LVR	LEVER
P-SP	P-SPRING
PANEL, CONT	PANEL, CONTROL
PANEL, FR	PANEL, FRONT
PRGM	PROGRAM
PULLY, LOAD MO	PULLY, LOAD MOTOR
RBN	RIBBON
S-	SPECIAL
SEG	SEGMENT
SH	SHEET
SHLD-SH	SHIELD-SHEET
SL	SLIDE
SP	SPRING
SP-SCREW	SPECIAL-SCREW
SPACER, BAT	SPACER, BATTERY
SPR	SPRING
SPR-P	P-SPRING
SPR-PC-PUSH	P-SPRING, C-PUSH
T-SP	T-SPRING
TERM	TERMINAL
TRIG	TRIGGER
TUN	TUNING
VOL	VOLUME
W	WASHER
WHL	WHEEL
WORM-WHL	WORM-WHEEL

サービス技術ニュース	
番号	連絡内容
G-	-
G-	-
G-	-

アイワ株式会社
AIWA CO., LTD.

94202081, 931621

Tokyo Japan