



**AV-D37**

HR, HC, HT

# SERVICE MANUAL

---

STEREO AV RECEIVER

---

- Replace this Service manual with "Revision Publishing" when it is issued.

**aiwa**

S/M Code No. 09-006-428-4T2

SIMPLE

DATA

# PARTS LIST

! = SAFETY PARTS  
 C = Components marked

All components used on this model at the production line are shown in this service manual.

However, please note that not all components will be available as spare parts for after-sales service.

Components marked S and O are designated as spare parts for service and will be stocked at the spare parts centers.

Components marked X and R are not designated as spare parts for after sales service, and will not be stocked at the spare parts centers.

K NO. = Only use Japanese.

! C	UNIT NAME	REF NO.	PARTS CODE	K NO.	DESCRIPTION	SUFFIX	MODEL NAME
	01	--				HCNM	AV-D37
	01	--				HRJNM	AV-D37
	01	--				HTNM	AV-D37
O	5.1CH SEL, JACK	C 0001	87-012-368-080	0E	C-CAP, S 0.1-50 Z F	HCNM	AV-D37
O	5.1CH SEL, JACK	C 0001	87-012-368-080	0E	C-CAP, S 0.1-50 Z F	HRJNM	AV-D37
O	5.1CH SEL, JACK	C 0001	87-012-368-080	0E	C-CAP, S 0.1-50 Z F	HTNM	AV-D37
O	5.1CH SEL, JACK	C 0750	87-010-196-080	0E	C-CAP, S 0.1-25 Z F C2012	HCNM	AV-D37
O	5.1CH SEL, JACK	C 0750	87-010-196-080	0E	C-CAP, S 0.1-25 Z F C2012	HRJNM	AV-D37
O	5.1CH SEL, JACK	C 0750	87-010-196-080	0E	C-CAP, S 0.1-25 Z F C2012	HTNM	AV-D37
O	5.1CH SEL, JACK	J 0750	87-A61-304-010	1C	JACK, PIN 6P HSP-246V6- 58	HCNM	AV-D37
O	5.1CH SEL, JACK	J 0750	87-A61-304-010	1C	JACK, PIN 6P HSP-246V6- 58	HRJNM	AV-D37
O	5.1CH SEL, JACK	J 0750	87-A61-304-010	1C	JACK, PIN 6P HSP-246V6- 58	HTNM	AV-D37
X	5.1CH SEL, JACK	JR 0315	88-118-000-080	0E	C-JUMPER, S	HCNM	AV-D37
X	5.1CH SEL, JACK	JR 0315	88-118-000-080	0E	C-JUMPER, S	HRJNM	AV-D37
X	5.1CH SEL, JACK	JR 0315	88-118-000-080	0E	C-JUMPER, S	HTNM	AV-D37
X	5.1CH SEL, JACK	JR 0315	88-118-000-080	0E	C-JUMPER, S	HCNM	AV-D37
X	5.1CH SEL, JACK	JR 0315	88-118-000-080	0E	C-JUMPER, S	HRJNM	AV-D37
X	5.1CH SEL, JACK	JR 0315	88-118-000-080	0E	C-JUMPER, S	HTNM	AV-D37
X	5.1CH SEL, JACK	JR 0336	88-118-000-080	0E	C-JUMPER, S	HCNM	AV-D37
X	5.1CH SEL, JACK	JR 0336	88-118-000-080	0E	C-JUMPER, S	HRJNM	AV-D37
X	5.1CH SEL, JACK	JR 0336	88-118-000-080	0E	C-JUMPER, S	HTNM	AV-D37
X	5.1CH SEL, JACK	JR 0336	88-118-000-080	0E	C-JUMPER, S	HCNM	AV-D37
X	5.1CH SEL, JACK	JR 0336	88-118-000-080	0E	C-JUMPER, S	HRJNM	AV-D37
X	5.1CH SEL, JACK	JR 0336	88-118-000-080	0E	C-JUMPER, S	HTNM	AV-D37
X	5.1CH SEL, JACK	JR 0930	88-118-000-080	0E	C-JUMPER, S	HCNM	AV-D37
X	5.1CH SEL, JACK	JR 0930	88-118-000-080	0E	C-JUMPER, S	HRJNM	AV-D37
X	5.1CH SEL, JACK	JR 0930	88-118-000-080	0E	C-JUMPER, S	HTNM	AV-D37
X	5.1CH SEL, JACK	JR 0930	88-118-000-080	0E	C-JUMPER, S	HCNM	AV-D37
X	5.1CH SEL, JACK	JR 0930	88-118-000-080	0E	C-JUMPER, S	HRJNM	AV-D37
X	5.1CH SEL, JACK	JR 0930	88-118-000-080	0E	C-JUMPER, S	HTNM	AV-D37
X	5.1CH SEL, JACK	JR 0930	88-118-000-080	0E	C-JUMPER, S	HCNM	AV-D37
X	5.1CH SEL, JACK	JR 0930	88-118-000-080	0E	C-JUMPER, S	HRJNM	AV-D37
X	5.1CH SEL, JACK	JR 0930	88-118-000-080	0E	C-JUMPER, S	HTNM	AV-D37
X	5.1CH SEL, JACK	JR 0930	88-118-000-080	0E	C-JUMPER, S	HCNM	AV-D37
X	5.1CH SEL, JACK	JR 0930	88-118-000-080	0E	C-JUMPER, S	HRJNM	AV-D37
X	5.1CH SEL, JACK	JR 0930	88-118-000-080	0E	C-JUMPER, S	HTNM	AV-D37
X	5.1CH SEL, JACK	R 0708	88-118-000-080	0E	C-JUMPER, S	HCNM	AV-D37
X	5.1CH SEL, JACK	R 0708	88-118-000-080	0E	C-JUMPER, S	HRJNM	AV-D37
X	5.1CH SEL, JACK	R 0708	88-118-000-080	0E	C-JUMPER, S	HTNM	AV-D37
X	5.1CH SEL, JACK	R 0709	88-118-223-080	0E	C-RES, S 22K-1/10W J	HCNM	AV-D37
X	5.1CH SEL, JACK	R 0709	88-118-223-080	0E	C-RES, S 22K-1/10W J	HRJNM	AV-D37
X	5.1CH SEL, JACK	R 0709	88-118-223-080	0E	C-RES, S 22K-1/10W J	HTNM	AV-D37
X	5.1CH SEL, JACK	R 0709	88-118-223-080	0E	C-RES, S 22K-1/10W J	HCNM	AV-D37
X	5.1CH SEL, JACK	R 0709	88-118-223-080	0E	C-RES, S 22K-1/10W J	HRJNM	AV-D37
X	5.1CH SEL, JACK	R 0709	88-118-223-080	0E	C-RES, S 22K-1/10W J	HTNM	AV-D37
X	5.1CH SEL, JACK	R 0710	88-118-243-080	0E	C-RES, S 24K-1/10W J	HCNM	AV-D37
X	5.1CH SEL, JACK	R 0710	88-118-243-080	0E	C-RES, S 24K-1/10W J	HRJNM	AV-D37
X	5.1CH SEL, JACK	R 0710	88-118-243-080	0E	C-RES, S 24K-1/10W J	HTNM	AV-D37
X	5.1CH SEL, JACK	R 0710	88-118-243-080	0E	C-RES, S 24K-1/10W J	HCNM	AV-D37
X	5.1CH SEL, JACK	R 0712	88-118-473-080	0E	C-RES, S 47K-1/10W J	HRJNM	AV-D37
X	5.1CH SEL, JACK	R 0712	88-118-473-080	0E	C-RES, S 47K-1/10W J	HTNM	AV-D37
X	5.1CH SEL, JACK	R 0713	88-118-473-080	0E	C-RES, S 47K-1/10W J	HCNM	AV-D37
X	5.1CH SEL, JACK	R 0713	88-118-473-080	0E	C-RES, S 47K-1/10W J	HRJNM	AV-D37
X	5.1CH SEL, JACK	R 0713	88-118-473-080	0E	C-RES, S 47K-1/10W J	HTNM	AV-D37
X	5.1CH SEL, JACK	R 0713	88-118-473-080	0E	C-RES, S 47K-1/10W J	HCNM	AV-D37
X	5.1CH SEL, JACK	R 0714	88-118-473-080	0E	C-RES, S 47K-1/10W J	HRJNM	AV-D37
X	5.1CH SEL, JACK	R 0714	88-118-473-080	0E	C-RES, S 47K-1/10W J	HTNM	AV-D37
X	5.1CH SEL, JACK	R 0714	88-118-473-080	0E	C-RES, S 47K-1/10W J	HCNM	AV-D37
X	5.1CH SEL, JACK	R 0715	88-118-473-080	0E	C-RES, S 47K-1/10W J	HRJNM	AV-D37
X	5.1CH SEL, JACK	R 0715	88-118-473-080	0E	C-RES, S 47K-1/10W J	HTNM	AV-D37
X	5.1CH SEL, JACK	R 0715	88-118-473-080	0E	C-RES, S 47K-1/10W J	HCNM	AV-D37
X	5.1CH SEL, JACK	R 0715	88-118-473-080	0E	C-RES, S 47K-1/10W J	HRJNM	AV-D37
X	5.1CH SEL, JACK	R 0715	88-118-473-080	0E	C-RES, S 47K-1/10W J	HTNM	AV-D37
X	5.1CH SEL, JACK	R 0763	88-118-182-080	0E	C-RES, S 1.8K-1/10W J	HCNM	AV-D37
X	5.1CH SEL, JACK	R 0763	88-118-182-080	0E	C-RES, S 1.8K-1/10W J	HRJNM	AV-D37
X	5.1CH SEL, JACK	R 0763	88-118-182-080	0E	C-RES, S 1.8K-1/10W J	HTNM	AV-D37
X	5.1CH SEL, JACK	R 0763	88-118-182-080	0E	C-RES, S 1.8K-1/10W J	HCNM	AV-D37
X	5.1CH SEL, JACK	R 0765	88-118-182-080	0E	C-RES, S 1.8K-1/10W J	HRJNM	AV-D37
X	5.1CH SEL, JACK	R 0765	88-118-182-080	0E	C-RES, S 1.8K-1/10W J	HTNM	AV-D37
X	5.1CH SEL, JACK	R 0765	88-118-182-080	0E	C-RES, S 1.8K-1/10W J	HCNM	AV-D37
X	5.1CH SEL, JACK	R 0765	88-118-182-080	0E	C-RES, S 1.8K-1/10W J	HRJNM	AV-D37
X	5.1CH SEL, JACK	R 0769	88-118-152-080	0E	C-RES, S 1.5K-1/10W J	HCNM	AV-D37
X	5.1CH SEL, JACK	R 0769	88-118-152-080	0E	C-RES, S 1.5K-1/10W J	HRJNM	AV-D37
X	5.1CH SEL, JACK	R 0769	88-118-152-080	0E	C-RES, S 1.5K-1/10W J	HTNM	AV-D37
X	5.1CH SEL, JACK	R 0771	88-118-152-080	0E	C-RES, S 1.5K-1/10W J	HCNM	AV-D37
X	5.1CH SEL, JACK	R 0771	88-118-152-080	0E	C-RES, S 1.5K-1/10W J	HRJNM	AV-D37
X	5.1CH SEL, JACK	R 0771	88-118-152-080	0E	C-RES, S 1.5K-1/10W J	HTNM	AV-D37
O	AC-SW	FC 0101	87-033-147-010	0E	FUSE CLAMP, MT-20	HCNM	AV-D37
O	AC-SW	FC 0101	87-033-147-010	0E	FUSE CLAMP, MT-20	HRJNM	AV-D37
O	AC-SW	FC 0101	87-033-147-010	0E	FUSE CLAMP, MT-20	HTNM	AV-D37
O	AC-SW	FC 0102	87-033-147-010	0E	FUSE CLAMP, MT-20	HCNM	AV-D37
O	AC-SW	FC 0102	87-033-147-010	0E	FUSE CLAMP, MT-20	HRJNM	AV-D37
O	AC-SW	FC 0102	87-033-147-010	0E	FUSE CLAMP, MT-20	HTNM	AV-D37
O	AC-SW	FC 0103	87-033-147-010	0E	FUSE CLAMP, MT-20	HCNM	AV-D37

# PARTS LIST

! =  $\Delta$  SAFTY PARTS  
 C = Components marked

All components used on this model at the production line are shown in this service manual.

However, please note that not all components will be available as spare parts for after-sales service.

Components marked S and O are designated as spare parts for service and will be stocked at the spare parts centers.

Components marked X and R are not designated as spare parts for after sales service, and will not be stocked at the spare parts centers.

K NO. = Only use japanese.

! C	UNIT NAME	REF NO.	PARTS CODE	K NO.	DESCRIPTION	SUFFIX	MODEL NAME
O	AC-SW	FC	0103	87-033-147-010	0E	FUSE CLAMP,MT-20	HRJNM AV-D37
O	AC-SW	FC	0103	87-033-147-010	0E	FUSE CLAMP,MT-20	HTNM AV-D37
O	AC-SW	FC	0104	87-033-147-010	0E	FUSE CLAMP,MT-20	HCNM AV-D37
O	AC-SW	FC	0104	87-033-147-010	0E	FUSE CLAMP,MT-20	HRJNM AV-D37
O	AC-SW	FC	0104	87-033-147-010	0E	FUSE CLAMP,MT-20	HTNM AV-D37
!	O AC-SW	SW	0101	87-A90-165-010	1A	SW,SL 1-2-3 SWS2301	HCNM AV-D37
!	O AC-SW	SW	0101	87-A90-165-010	1A	SW,SL 1-2-3 SWS2301	HRJNM AV-D37
!	O AC-SW	SW	0101	87-A90-165-010	1A	SW,SL 1-2-3 SWS2301	HTNM AV-D37
O	AC-SW	T	0101	87-A60-317-010	0E	TERMINAL, 1P MSC	HCNM AV-D37
O	AC-SW	T	0101	87-A60-317-010	0E	TERMINAL, 1P MSC	HRJNM AV-D37
O	AC-SW	T	0101	87-A60-317-010	0E	TERMINAL, 1P MSC	HTNM AV-D37
O	AC-SW	T	0102	87-A60-317-010	0E	TERMINAL, 1P MSC	HCNM AV-D37
O	AC-SW	T	0102	87-A60-317-010	0E	TERMINAL, 1P MSC	HRJNM AV-D37
O	AC-SW	T	0102	87-A60-317-010	0E	TERMINAL, 1P MSC	HTNM AV-D37
X	AC-SW	W	0102	8Z-AR4-607-010	0E	WIRE,ASSY 1P (Y)	HCNM AV-D37
X	AC-SW	W	0102	8Z-AR4-607-010	0E	WIRE,ASSY 1P (Y)	HRJNM AV-D37
X	AC-SW	W	0102	8Z-AR4-607-010	0E	WIRE,ASSY 1P (Y)	HTNM AV-D37
X	AC-SW	W	0103	8Z-AR4-610-010	0E	WIRE,ASSY 1P (GRAY)	HCNM AV-D37
X	AC-SW	W	0103	8Z-AR4-610-010	0E	WIRE,ASSY 1P (GRAY)	HRJNM AV-D37
X	AC-SW	W	0103	8Z-AR4-610-010	0E	WIRE,ASSY 1P (GRAY)	HTNM AV-D37
X	AC-SW	W	0104	89-MK1-626-010	0E	WIRE ASSY 1P(G)	HCNM AV-D37
X	AC-SW	W	0104	89-MK1-626-010	0E	WIRE ASSY 1P(G)	HRJNM AV-D37
X	AC-SW	W	0104	89-MK1-626-010	0E	WIRE ASSY 1P(G)	HTNM AV-D37
X	AC-SW	W	0105	8Z-AR4-609-010	0E	WIRE,ASSY 1P (WHT)	HCNM AV-D37
X	AC-SW	W	0105	8Z-AR4-609-010	0E	WIRE,ASSY 1P (WHT)	HRJNM AV-D37
X	AC-SW	W	0105	8Z-AR4-609-010	0E	WIRE,ASSY 1P (WHT)	HTNM AV-D37
X	AC-SW	W	0106	8Z-AR4-611-010	0E	WIRE,ASSY 1P (BL)	HCNM AV-D37
X	AC-SW	W	0106	8Z-AR4-611-010	0E	WIRE,ASSY 1P (BL)	HRJNM AV-D37
X	AC-SW	W	0106	8Z-AR4-611-010	0E	WIRE,ASSY 1P (BL)	HTNM AV-D37
X	AC-SW	W	0107	8Z-AR4-608-010	0E	WIRE,ASSY 1P (BLK)	HCNM AV-D37
X	AC-SW	W	0107	8Z-AR4-608-010	0E	WIRE,ASSY 1P (BLK)	HRJNM AV-D37
O	ACCESSORY		87-043-115-010	1A	FEEDER-ANT,FM	HCNM AV-D37	
O	ACCESSORY		87-043-115-010	1A	FEEDER-ANT,FM	HRJNM AV-D37	
O	ACCESSORY		87-043-115-010	1A	FEEDER-ANT,FM	HTNM AV-D37	
!	O ACCESSORY		87-A91-015-010	1A	PLUG,CONVERSION JT-0475A	HCNM AV-D37	
!	O ACCESSORY		87-A91-017-010	1A	PLUG,CONVERSION JT-0476	HRJNM AV-D37	
!	O ACCESSORY		87-A91-017-010	1A	PLUG,CONVERSION JT-0476	HTNM AV-D37	
O	ACCESSORY		8A-AR3-704-010	2P	RC UNIT,RC-AAR03	HCNM AV-D37	
O	ACCESSORY		8A-AR3-704-010	2P	RC UNIT,RC-AAR03	HRJNM AV-D37	
O	ACCESSORY		8A-AR3-704-010	2P	RC UNIT,RC-AAR03	HTNM AV-D37	
O	ACCESSORY	ANT	87-006-225-010	1D	ANT,LOOP ANT NC2	HCNM AV-D37	
O	ACCESSORY	ANT	87-006-225-010	1D	ANT,LOOP ANT NC2	HRJNM AV-D37	
O	ACCESSORY	ANT	87-006-225-010	1D	ANT,LOOP ANT NC2	HTNM AV-D37	
!	O APPEARANCE		87-CE3-023-010	0E	BADGE,AIWA 30N SILV	HCNM AV-D37	
!	O APPEARANCE		87-CE3-023-010	0E	BADGE,AIWA 30N SILV	HRJNM AV-D37	
!	O APPEARANCE		87-CE3-023-010	0E	BADGE,AIWA 30N SILV	HTNM AV-D37	
O	APPEARANCE		8A-AR3-032-010	--	PANEL,FR H GLD	HCNM AV-D37	
O	APPEARANCE		8A-AR3-032-010	--	PANEL,FR H GLD	HRJNM AV-D37	
O	APPEARANCE		8A-AR3-032-010	--	PANEL,FR H GLD	HTNM AV-D37	
O	APPEARANCE		8A-AR4-012-010	--	PANEL,REAR HCBM	HCNM AV-D37	
O	APPEARANCE		8A-AR4-014-010	--	PANEL,REAR HRJNM	HRJNM AV-D37	
O	APPEARANCE		8A-AR4-015-010	--	PANEL,REAR HTNM	HTNM AV-D37	
O	APPEARANCE		8Z-AR1-020-110	1A	RING,FOOT SIL	HCNM AV-D37	
O	APPEARANCE		8Z-AR1-020-110	1A	RING,FOOT SIL	HRJNM AV-D37	
O	APPEARANCE		8Z-AR1-020-110	1A	RING,FOOT SIL	HTNM AV-D37	
O	APPEARANCE		8Z-AR1-021-110	1A	FOOT,REAR	HCNM AV-D37	
O	APPEARANCE		8Z-AR1-021-110	1A	FOOT,REAR	HRJNM AV-D37	
O	APPEARANCE		8Z-AR1-021-110	1A	FOOT,REAR	HTNM AV-D37	
O	APPEARANCE		8Z-AR1-050-110	2A	CABI,STEEL GLD	HCNM AV-D37	
O	APPEARANCE		8Z-AR1-050-110	2A	CABI,STEEL GLD	HRJNM AV-D37	
O	APPEARANCE	*	8A-AR4-002-010	--	CABI,FR H GLD	HCNM AV-D37	
O	APPEARANCE	*	8A-AR4-002-010	--	CABI,FR H GLD	HRJNM AV-D37	
O	APPEARANCE	*	8A-AR4-002-010	--	CABI,FR H GLD	HTNM AV-D37	
O	ATT SW	C	0548	87-010-404-080	0E	CAP,E 4.7-50 M 11L SME	HCNM AV-D37
O	ATT SW	C	0548	87-010-404-080	0E	CAP,E 4.7-50 M 11L SME	HRJNM AV-D37
O	ATT SW	C	0548	87-010-404-080	0E	CAP,E 4.7-50 M 11L SME	HTNM AV-D37
O	ATT SW	C	0723	87-010-401-080	0E	CAP,E 1-50 M 11L SME	HCNM AV-D37
O	ATT SW	C	0723	87-010-401-080	0E	CAP,E 1-50 M 11L SME	HRJNM AV-D37

# PARTS LIST

! = SAFETY PARTS  
 C = Components marked

All components used on this model at the production line are shown in this service manual.

However, please note that not all components will be available as spare parts for after-sales service.

Components marked S and O are designated as spare parts for service and will be stocked at the spare parts centers.

Components marked X and R are not designated as spare parts for after sales service, and will not be stocked at the spare parts centers.

K NO. = Only use Japanese.

! C	UNIT NAME	REF NO.	PARTS CODE	K NO.	DESCRIPTION	SUFFIX	MODEL NAME
O	ATT SW	C 0723	87-010-401-080	0E	CAP,E 1-50 M 11L SME	HTNM	AV-D37
O	ATT SW	C 0726	87-010-401-080	0E	CAP,E 1-50 M 11L SME	HCNM	AV-D37
O	ATT SW	C 0726	87-010-401-080	0E	CAP,E 1-50 M 11L SME	HRJNM	AV-D37
O	ATT SW	C 0726	87-010-401-080	0E	CAP,E 1-50 M 11L SME	HTNM	AV-D37
O	ATT SW	CN 0601	87-A60-627-010	0E	CONN,10P V 2MM JMT	HCNM	AV-D37
O	ATT SW	CN 0601	87-A60-627-010	0E	CONN,10P V 2MM JMT	HRJNM	AV-D37
O	ATT SW	CN 0601	87-A60-627-010	0E	CONN,10P V 2MM JMT	HTNM	AV-D37
X	ATT SW	JR 0567	88-118-000-080	0E	C-JUMPER,S	HCNM	AV-D37
X	ATT SW	JR 0567	88-118-000-080	0E	C-JUMPER,S	HRJNM	AV-D37
X	ATT SW	JR 0567	88-118-000-080	0E	C-JUMPER,S	HTNM	AV-D37
X	ATT SW	JR 0590	88-129-000-080	0E	C-JUMPER,3216	HCNM	AV-D37
X	ATT SW	JR 0590	88-129-000-080	0E	C-JUMPER,3216	HRJNM	AV-D37
X	ATT SW	JR 0590	88-129-000-080	0E	C-JUMPER,3216	HTNM	AV-D37
S	ATT SW	Q 0721	87-A30-086-070	0E	C-TR,CSD1306E	HCNM	AV-D37
S	ATT SW	Q 0721	87-A30-086-070	0E	C-TR,CSD1306E	HRJNM	AV-D37
S	ATT SW	Q 0721	87-A30-086-070	0E	C-TR,CSD1306E	HTNM	AV-D37
X	ATT SW	R 0730	88-118-222-080	0E	C-RES,S 2.2K-1/10W J	HCNM	AV-D37
X	ATT SW	R 0730	88-118-222-080	0E	C-RES,S 2.2K-1/10W J	HRJNM	AV-D37
X	ATT SW	R 0730	88-118-222-080	0E	C-RES,S 2.2K-1/10W J	HTNM	AV-D37
X	ATT SW	R 0732	88-118-101-080	0E	C-RES,S 100-1/10W J	HCNM	AV-D37
X	ATT SW	R 0732	88-118-101-080	0E	C-RES,S 100-1/10W J	HRJNM	AV-D37
X	ATT SW	R 0732	88-118-101-080	0E	C-RES,S 100-1/10W J	HTNM	AV-D37
O	AV SEL	C 0901	87-010-406-080	0E	CAP,E 22-50 M 11L SME	HCNM	AV-D37
O	AV SEL	C 0901	87-010-406-080	0E	CAP,E 22-50 M 11L SME	HRJNM	AV-D37
O	AV SEL	C 0901	87-010-406-080	0E	CAP,E 22-50 M 11L SME	HTNM	AV-D37
O	AV SEL	C 0902	87-010-406-080	0E	CAP,E 22-50 M 11L SME	HCNM	AV-D37
O	AV SEL	C 0902	87-010-406-080	0E	CAP,E 22-50 M 11L SME	HRJNM	AV-D37
O	AV SEL	C 0902	87-010-406-080	0E	CAP,E 22-50 M 11L SME	HTNM	AV-D37
O	AV SEL	C 0902	87-010-406-080	0E	CAP,E 22-50 M 11L SME	HCNM	AV-D37
O	AV SEL	C 0903	87-010-406-080	0E	CAP,E 22-50 M 11L SME	HCNM	AV-D37
O	AV SEL	C 0903	87-010-406-080	0E	CAP,E 22-50 M 11L SME	HRJNM	AV-D37
O	AV SEL	C 0903	87-010-406-080	0E	CAP,E 22-50 M 11L SME	HTNM	AV-D37
O	AV SEL	C 0903	87-010-406-080	0E	CAP,E 22-50 M 11L SME	HCNM	AV-D37
O	AV SEL	C 0904	87-010-406-080	0E	CAP,E 22-50 M 11L SME	HCNM	AV-D37
O	AV SEL	C 0904	87-010-406-080	0E	CAP,E 22-50 M 11L SME	HRJNM	AV-D37
O	AV SEL	C 0904	87-010-406-080	0E	CAP,E 22-50 M 11L SME	HTNM	AV-D37
O	AV SEL	C 0904	87-010-406-080	0E	CAP,E 22-50 M 11L SME	HCNM	AV-D37
O	AV SEL	C 0905	87-010-406-080	0E	CAP,E 22-50 M 11L SME	HCNM	AV-D37
O	AV SEL	C 0905	87-010-406-080	0E	CAP,E 22-50 M 11L SME	HRJNM	AV-D37
O	AV SEL	C 0905	87-010-406-080	0E	CAP,E 22-50 M 11L SME	HTNM	AV-D37
O	AV SEL	C 0905	87-010-406-080	0E	CAP,E 22-50 M 11L SME	HCNM	AV-D37
O	AV SEL	C 0906	87-010-260-080	0E	CAP,E 47-25 M 11L SME	HCNM	AV-D37
O	AV SEL	C 0906	87-010-260-080	0E	CAP,E 47-25 M 11L SME	HRJNM	AV-D37
O	AV SEL	C 0906	87-010-260-080	0E	CAP,E 47-25 M 11L SME	HTNM	AV-D37
O	AV SEL	C 0906	87-010-260-080	0E	CAP,E 47-25 M 11L SME	HCNM	AV-D37
O	AV SEL	C 0907	87-010-196-080	0E	C-CAP,S 0.1-25 Z F C2012	HCNM	AV-D37
O	AV SEL	C 0907	87-010-196-080	0E	C-CAP,S 0.1-25 Z F C2012	HRJNM	AV-D37
O	AV SEL	C 0907	87-010-196-080	0E	C-CAP,S 0.1-25 Z F C2012	HTNM	AV-D37
O	AV SEL	C 0907	87-010-196-080	0E	C-CAP,S 0.1-25 Z F C2012	HCNM	AV-D37
O	AV SEL	C 0908	87-010-387-080	1A	CAP,E 470-25 M SME	HCNM	AV-D37
O	AV SEL	C 0908	87-010-387-080	1A	CAP,E 470-25 M SME	HRJNM	AV-D37
O	AV SEL	C 0908	87-010-387-080	1A	CAP,E 470-25 M SME	HTNM	AV-D37
O	AV SEL	C 0908	87-010-387-080	1A	CAP,E 470-25 M SME	HCNM	AV-D37
O	AV SEL	C 0909	87-010-371-080	0E	CAP,E 470-6.3 M SME	HCNM	AV-D37
O	AV SEL	C 0909	87-010-371-080	0E	CAP,E 470-6.3 M SME	HRJNM	AV-D37
O	AV SEL	C 0909	87-010-371-080	0E	CAP,E 470-6.3 M SME	HTNM	AV-D37
O	AV SEL	C 0909	87-010-371-080	0E	CAP,E 470-6.3 M SME	HCNM	AV-D37
O	AV SEL	C 0910	87-010-371-080	0E	CAP,E 470-6.3 M SME	HRJNM	AV-D37
O	AV SEL	C 0910	87-010-371-080	0E	CAP,E 470-6.3 M SME	HTNM	AV-D37
O	AV SEL	C 0911	87-010-371-080	0E	CAP,E 470-6.3 M SME	HCNM	AV-D37
O	AV SEL	C 0911	87-010-371-080	0E	CAP,E 470-6.3 M SME	HRJNM	AV-D37
O	AV SEL	C 0911	87-010-371-080	0E	CAP,E 470-6.3 M SME	HTNM	AV-D37
O	AV SEL	C 0911	87-010-371-080	0E	CAP,E 470-6.3 M SME	HCNM	AV-D37
O	AV SEL	C 0912	87-010-196-080	0E	C-CAP,S 0.1-25 Z F C2012	HCNM	AV-D37
O	AV SEL	C 0912	87-010-196-080	0E	C-CAP,S 0.1-25 Z F C2012	HRJNM	AV-D37
O	AV SEL	C 0912	87-010-196-080	0E	C-CAP,S 0.1-25 Z F C2012	HTNM	AV-D37
O	AV SEL	C 0912	87-010-196-080	0E	C-CAP,S 0.1-25 Z F C2012	HCNM	AV-D37
O	AV SEL	C 0913	87-010-196-080	0E	C-CAP,S 0.1-25 Z F C2012	HCNM	AV-D37
O	AV SEL	C 0913	87-010-196-080	0E	C-CAP,S 0.1-25 Z F C2012	HRJNM	AV-D37
O	AV SEL	C 0913	87-010-196-080	0E	C-CAP,S 0.1-25 Z F C2012	HTNM	AV-D37
O	AV SEL	C 0914	87-010-196-080	0E	C-CAP,S 0.1-25 Z F C2012	HCNM	AV-D37
O	AV SEL	C 0914	87-010-196-080	0E	C-CAP,S 0.1-25 Z F C2012	HRJNM	AV-D37
O	AV SEL	C 0914	87-010-196-080	0E	C-CAP,S 0.1-25 Z F C2012	HTNM	AV-D37
O	AV SEL	C 0914	87-010-196-080	0E	C-CAP,S 0.1-25 Z F C2012	HCNM	AV-D37
O	AV SEL	CN 0901	87-A60-619-010	0E	CONN,2P V 2MM JMT	HCNM	AV-D37
O	AV SEL	CN 0901	87-A60-619-010	0E	CONN,2P V 2MM JMT	HRJNM	AV-D37
O	AV SEL	CN 0901	87-A60-619-010	0E	CONN,2P V 2MM JMT	HTNM	AV-D37
O	AV SEL	CN 0901	87-A60-619-010	0E	CONN,2P V 2MM JMT	HCNM	AV-D37
S	AV SEL	D 0901	87-070-136-080	0E	ZENER,MTZJ5.1B	HCNM	AV-D37
S	AV SEL	D 0901	87-070-136-080	0E	ZENER,MTZJ5.1B	HRJNM	AV-D37
S	AV SEL	D 0901	87-070-136-080	0E	ZENER,MTZJ5.1B	HTNM	AV-D37

# PARTS LIST

! =  $\Delta$  SAFTY PARTS  
 C = Components marked

All components used on this model at the production line are shown in this service manual.

However, please note that not all components will be available as spare parts for after-sales service.

Components marked S and O are designated as spare parts for service and will be stocked at the spare parts centers.

Components marked X and R are not designated as spare parts for after sales service, and will not be stocked at the spare parts centers.

K NO. = Only use japanese.

! C	UNIT NAME	REF NO.	PARTS CODE	K NO.	DESCRIPTION	SUFFIX	MODEL NAME
S	AV SEL	D 0902	87-020-465-080	0E	DIODE,1SS133	HCNM	AV-D37
S	AV SEL	D 0902	87-020-465-080	0E	DIODE,1SS133	HRJNM	AV-D37
S	AV SEL	D 0902	87-020-465-080	0E	DIODE,1SS133	HTNM	AV-D37
S	AV SEL	D 0903	87-020-465-080	0E	DIODE,1SS133	HCNM	AV-D37
S	AV SEL	D 0903	87-020-465-080	0E	DIODE,1SS133	HRJNM	AV-D37
S	AV SEL	D 0903	87-020-465-080	0E	DIODE,1SS133	HTNM	AV-D37
S	AV SEL	IC 0901	87-A20-820-010	1C	IC,BA7625	HCNM	AV-D37
S	AV SEL	IC 0901	87-A20-820-010	1C	IC,BA7625	HRJNM	AV-D37
S	AV SEL	IC 0901	87-A20-820-010	1C	IC,BA7625	HTNM	AV-D37
S	AV SEL	IC 0902	87-017-917-080	1A	C-IC,BU4066BCF	HCNM	AV-D37
S	AV SEL	IC 0902	87-017-917-080	1A	C-IC,BU4066BCF	HRJNM	AV-D37
S	AV SEL	IC 0902	87-017-917-080	1A	C-IC,BU4066BCF	HTNM	AV-D37
O	AV SEL	J 0901	87-A60-949-010	1B	JACK,PIN 3P R/W/Y V GLD	HCNM	AV-D37
O	AV SEL	J 0901	87-A60-949-010	1B	JACK,PIN 3P R/W/Y V GLD	HRJNM	AV-D37
O	AV SEL	J 0901	87-A60-949-010	1B	JACK,PIN 3P R/W/Y V GLD	HTNM	AV-D37
O	AV SEL	J 0902	87-A60-950-010	1B	JACK,PIN 3P R/W/Y W/E GLD	HCNM	AV-D37
O	AV SEL	J 0902	87-A60-950-010	1B	JACK,PIN 3P R/W/Y W/E GLD	HRJNM	AV-D37
O	AV SEL	J 0902	87-A60-950-010	1B	JACK,PIN 3P R/W/Y W/E GLD	HTNM	AV-D37
O	AV SEL	J 0903	87-A60-949-010	1B	JACK,PIN 3P R/W/Y V GLD	HCNM	AV-D37
O	AV SEL	J 0903	87-A60-949-010	1B	JACK,PIN 3P R/W/Y V GLD	HRJNM	AV-D37
O	AV SEL	J 0903	87-A60-949-010	1B	JACK,PIN 3P R/W/Y V GLD	HTNM	AV-D37
O	AV SEL	J 0904	87-A60-949-010	1B	JACK,PIN 3P R/W/Y V GLD	HCNM	AV-D37
O	AV SEL	J 0904	87-A60-949-010	1B	JACK,PIN 3P R/W/Y V GLD	HRJNM	AV-D37
O	AV SEL	J 0904	87-A60-949-010	1B	JACK,PIN 3P R/W/Y V GLD	HTNM	AV-D37
O	AV SEL	J 0905	87-A60-949-010	1B	JACK,PIN 3P R/W/Y V GLD	HCNM	AV-D37
O	AV SEL	J 0905	87-A60-949-010	1B	JACK,PIN 3P R/W/Y V GLD	HRJNM	AV-D37
O	AV SEL	J 0905	87-A60-949-010	1B	JACK,PIN 3P R/W/Y V GLD	HTNM	AV-D37
X	AV SEL	JR 0525	88-129-000-080	0E	C-JUMPER,3216	HCNM	AV-D37
X	AV SEL	JR 0525	88-129-000-080	0E	C-JUMPER,3216	HRJNM	AV-D37
X	AV SEL	JR 0525	88-129-000-080	0E	C-JUMPER,3216	HTNM	AV-D37
X	AV SEL	JR 0530	88-118-000-080	0E	C-JUMPER,S	HCNM	AV-D37
X	AV SEL	JR 0530	88-118-000-080	0E	C-JUMPER,S	HRJNM	AV-D37
X	AV SEL	JR 0530	88-118-000-080	0E	C-JUMPER,S	HTNM	AV-D37
X	AV SEL	JR 0548	88-129-000-080	0E	C-JUMPER,3216	HCNM	AV-D37
X	AV SEL	JR 0548	88-129-000-080	0E	C-JUMPER,3216	HRJNM	AV-D37
X	AV SEL	JR 0548	88-129-000-080	0E	C-JUMPER,3216	HTNM	AV-D37
X	AV SEL	JR 0550	88-118-000-080	0E	C-JUMPER,S	HCNM	AV-D37
X	AV SEL	JR 0550	88-118-000-080	0E	C-JUMPER,S	HRJNM	AV-D37
X	AV SEL	JR 0550	88-118-000-080	0E	C-JUMPER,S	HTNM	AV-D37
X	AV SEL	JR 0552	88-129-000-080	0E	C-JUMPER,3216	HCNM	AV-D37
X	AV SEL	JR 0552	88-129-000-080	0E	C-JUMPER,3216	HRJNM	AV-D37
X	AV SEL	JR 0552	88-129-000-080	0E	C-JUMPER,3216	HTNM	AV-D37
X	AV SEL	JR 0750	88-118-000-080	0E	C-JUMPER,S	HCNM	AV-D37
X	AV SEL	JR 0750	88-118-000-080	0E	C-JUMPER,S	HRJNM	AV-D37
X	AV SEL	JR 0750	88-118-000-080	0E	C-JUMPER,S	HTNM	AV-D37
X	AV SEL	JR 0901	88-118-000-080	0E	C-JUMPER,S	HCNM	AV-D37
X	AV SEL	JR 0901	88-118-000-080	0E	C-JUMPER,S	HRJNM	AV-D37
X	AV SEL	JR 0901	88-118-000-080	0E	C-JUMPER,S	HTNM	AV-D37
X	AV SEL	JR 0902	88-118-000-080	0E	C-JUMPER,S	HCNM	AV-D37
X	AV SEL	JR 0902	88-118-000-080	0E	C-JUMPER,S	HRJNM	AV-D37
X	AV SEL	JR 0902	88-118-000-080	0E	C-JUMPER,S	HTNM	AV-D37
X	AV SEL	JR 0902	88-118-000-080	0E	C-JUMPER,S	HCNM	AV-D37
X	AV SEL	JR 0903	88-118-000-080	0E	C-JUMPER,S	HRJNM	AV-D37
X	AV SEL	JR 0903	88-118-000-080	0E	C-JUMPER,S	HTNM	AV-D37
X	AV SEL	JR 0903	88-118-000-080	0E	C-JUMPER,S	HCNM	AV-D37
X	AV SEL	JR 0904	88-118-000-080	0E	C-JUMPER,S	HRJNM	AV-D37
X	AV SEL	JR 0904	88-118-000-080	0E	C-JUMPER,S	HTNM	AV-D37
X	AV SEL	JR 0904	88-118-000-080	0E	C-JUMPER,S	HCNM	AV-D37
X	AV SEL	JR 0904	88-118-000-080	0E	C-JUMPER,S	HRJNM	AV-D37
X	AV SEL	JR 0905	88-129-000-080	0E	C-JUMPER,3216	HCNM	AV-D37
X	AV SEL	JR 0905	88-129-000-080	0E	C-JUMPER,3216	HRJNM	AV-D37
X	AV SEL	JR 0905	88-129-000-080	0E	C-JUMPER,3216	HTNM	AV-D37
X	AV SEL	JR 0906	88-118-000-080	0E	C-JUMPER,S	HCNM	AV-D37
X	AV SEL	JR 0906	88-118-000-080	0E	C-JUMPER,S	HRJNM	AV-D37
X	AV SEL	JR 0906	88-118-000-080	0E	C-JUMPER,S	HTNM	AV-D37
X	AV SEL	JR 0908	88-118-000-080	0E	C-JUMPER,S	HCNM	AV-D37
X	AV SEL	JR 0908	88-118-000-080	0E	C-JUMPER,S	HRJNM	AV-D37
X	AV SEL	JR 0908	88-118-000-080	0E	C-JUMPER,S	HTNM	AV-D37
X	AV SEL	JR 0909	88-129-000-080	0E	C-JUMPER,3216	HCNM	AV-D37
X	AV SEL	JR 0909	88-129-000-080	0E	C-JUMPER,3216	HRJNM	AV-D37
X	AV SEL	JR 0909	88-129-000-080	0E	C-JUMPER,3216	HTNM	AV-D37
X	AV SEL	JR 0910	88-118-000-080	0E	C-JUMPER,S	HCNM	AV-D37

# PARTS LIST

! =  $\Delta$  SAFTY PARTS  
 C = Components marked

All components used on this model at the production line are shown in this service manual.

However, please note that not all components will be available as spare parts for after-sales service.

Components marked S and O are designated as spare parts for service and will be stocked at the spare parts centers.

Components marked X and R are not designated as spare parts for after sales service, and will not be stocked at the spare parts centers.

K NO. = Only use japanese.

! C	UNIT NAME	REF NO.	PARTS CODE	K NO.	DESCRIPTION	SUFFIX	MODEL NAME
X	AV SEL	JR 0910	88-118-000-080	0E	C-JUMPER, S	HRJNM	AV-D37
X	AV SEL	JR 0910	88-118-000-080	0E	C-JUMPER, S	HTNM	AV-D37
X	AV SEL	JR 0911	88-118-000-080	0E	C-JUMPER, S	HCNM	AV-D37
X	AV SEL	JR 0911	88-118-000-080	0E	C-JUMPER, S	HRJNM	AV-D37
X	AV SEL	JR 0911	88-118-000-080	0E	C-JUMPER, S	HTNM	AV-D37
X	AV SEL	JR 0912	88-129-000-080	0E	C-JUMPER, 3216	HCNM	AV-D37
X	AV SEL	JR 0912	88-129-000-080	0E	C-JUMPER, 3216	HRJNM	AV-D37
X	AV SEL	JR 0912	88-129-000-080	0E	C-JUMPER, 3216	HTNM	AV-D37
X	AV SEL	JR 0913	88-118-000-080	0E	C-JUMPER, S	HCNM	AV-D37
X	AV SEL	JR 0913	88-118-000-080	0E	C-JUMPER, S	HRJNM	AV-D37
X	AV SEL	JR 0913	88-118-000-080	0E	C-JUMPER, S	HTNM	AV-D37
X	AV SEL	JR 0914	88-118-000-080	0E	C-JUMPER, S	HCNM	AV-D37
X	AV SEL	JR 0914	88-118-000-080	0E	C-JUMPER, S	HRJNM	AV-D37
X	AV SEL	JR 0914	88-118-000-080	0E	C-JUMPER, S	HTNM	AV-D37
X	AV SEL	JR 0915	88-118-000-080	0E	C-JUMPER, S	HCNM	AV-D37
X	AV SEL	JR 0915	88-118-000-080	0E	C-JUMPER, S	HRJNM	AV-D37
X	AV SEL	JR 0915	88-118-000-080	0E	C-JUMPER, S	HTNM	AV-D37
X	AV SEL	JR 0916	88-129-000-080	0E	C-JUMPER, 3216	HCNM	AV-D37
X	AV SEL	JR 0916	88-129-000-080	0E	C-JUMPER, 3216	HRJNM	AV-D37
X	AV SEL	JR 0916	88-129-000-080	0E	C-JUMPER, 3216	HTNM	AV-D37
X	AV SEL	JR 0917	88-129-000-080	0E	C-JUMPER, 3216	HCNM	AV-D37
X	AV SEL	JR 0917	88-129-000-080	0E	C-JUMPER, 3216	HRJNM	AV-D37
X	AV SEL	JR 0917	88-129-000-080	0E	C-JUMPER, 3216	HTNM	AV-D37
X	AV SEL	JR 0918	88-118-000-080	0E	C-JUMPER, S	HCNM	AV-D37
X	AV SEL	JR 0918	88-118-000-080	0E	C-JUMPER, S	HRJNM	AV-D37
X	AV SEL	JR 0918	88-118-000-080	0E	C-JUMPER, S	HTNM	AV-D37
X	AV SEL	JR 0920	88-129-000-080	0E	C-JUMPER, 3216	HCNM	AV-D37
X	AV SEL	JR 0920	88-129-000-080	0E	C-JUMPER, 3216	HRJNM	AV-D37
X	AV SEL	JR 0920	88-129-000-080	0E	C-JUMPER, 3216	HTNM	AV-D37
X	AV SEL	JR 0921	88-118-000-080	0E	C-JUMPER, S	HCNM	AV-D37
X	AV SEL	JR 0921	88-118-000-080	0E	C-JUMPER, S	HRJNM	AV-D37
X	AV SEL	JR 0921	88-118-000-080	0E	C-JUMPER, S	HTNM	AV-D37
X	AV SEL	JR 0922	88-118-000-080	0E	C-JUMPER, S	HCNM	AV-D37
X	AV SEL	JR 0922	88-118-000-080	0E	C-JUMPER, S	HRJNM	AV-D37
X	AV SEL	JR 0922	88-118-000-080	0E	C-JUMPER, S	HTNM	AV-D37
X	AV SEL	JR 0923	88-118-000-080	0E	C-JUMPER, S	HCNM	AV-D37
X	AV SEL	JR 0923	88-118-000-080	0E	C-JUMPER, S	HRJNM	AV-D37
X	AV SEL	JR 0923	88-118-000-080	0E	C-JUMPER, S	HTNM	AV-D37
O	AV SEL	L 0901	87-005-239-080	0E	COIL,100UH K LAL03	HCNM	AV-D37
O	AV SEL	L 0901	87-005-239-080	0E	COIL,100UH K LAL03	HRJNM	AV-D37
O	AV SEL	L 0901	87-005-239-080	0E	COIL,100UH K LAL03	HTNM	AV-D37
S	AV SEL	Q 0901	87-A30-075-080	0E	C-TR, 2SA1235F	HCNM	AV-D37
S	AV SEL	Q 0901	87-A30-075-080	0E	C-TR, 2SA1235F	HRJNM	AV-D37
S	AV SEL	Q 0901	87-A30-075-080	0E	C-TR, 2SA1235F	HTNM	AV-D37
S	AV SEL	Q 0902	87-A30-075-080	0E	C-TR, 2SA1235F	HCNM	AV-D37
S	AV SEL	Q 0902	87-A30-075-080	0E	C-TR, 2SA1235F	HRJNM	AV-D37
S	AV SEL	Q 0902	87-A30-075-080	0E	C-TR, 2SA1235F	HTNM	AV-D37
S	AV SEL	Q 0903	87-A30-075-080	0E	C-TR, 2SA1235F	HCNM	AV-D37
S	AV SEL	Q 0903	87-A30-075-080	0E	C-TR, 2SA1235F	HRJNM	AV-D37
S	AV SEL	Q 0903	87-A30-075-080	0E	C-TR, 2SA1235F	HTNM	AV-D37
S	AV SEL	Q 0904	87-A30-076-080	0E	C-TR, 2SC3052F	HCNM	AV-D37
S	AV SEL	Q 0904	87-A30-076-080	0E	C-TR, 2SC3052F	HRJNM	AV-D37
S	AV SEL	Q 0904	87-A30-076-080	0E	C-TR, 2SC3052F	HTNM	AV-D37
S	AV SEL	Q 0905	87-A30-071-080	0E	C-TR, RT1N 144C	HCNM	AV-D37
S	AV SEL	Q 0905	87-A30-071-080	0E	C-TR, RT1N 144C	HRJNM	AV-D37
S	AV SEL	Q 0905	87-A30-071-080	0E	C-TR, RT1N 144C	HTNM	AV-D37
S	AV SEL	Q 0906	87-A30-074-080	0E	C-TR, RT1P 141C	HCNM	AV-D37
S	AV SEL	Q 0906	87-A30-074-080	0E	C-TR, RT1P 141C	HRJNM	AV-D37
S	AV SEL	Q 0906	87-A30-074-080	0E	C-TR, RT1P 141C	HTNM	AV-D37
S	AV SEL	Q 0907	87-A30-075-080	0E	C-TR, 2SA1235F	HCNM	AV-D37
S	AV SEL	Q 0907	87-A30-075-080	0E	C-TR, 2SA1235F	HRJNM	AV-D37
S	AV SEL	Q 0907	87-A30-075-080	0E	C-TR, 2SA1235F	HTNM	AV-D37
X	AV SEL	R 0903	88-118-334-080	0E	C-RES, S 330K-1/10W J	HCNM	AV-D37
X	AV SEL	R 0903	88-118-334-080	0E	C-RES, S 330K-1/10W J	HRJNM	AV-D37
X	AV SEL	R 0903	88-118-334-080	0E	C-RES, S 330K-1/10W J	HTNM	AV-D37
X	AV SEL	R 0904	88-118-334-080	0E	C-RES, S 330K-1/10W J	HCNM	AV-D37
X	AV SEL	R 0904	88-118-334-080	0E	C-RES, S 330K-1/10W J	HRJNM	AV-D37
X	AV SEL	R 0904	88-118-334-080	0E	C-RES, S 330K-1/10W J	HTNM	AV-D37
O	AV SEL	R 0905	87-010-317-080	0E	C-CAP, S 39P-50 J CH	HCNM	AV-D37
O	AV SEL	R 0905	87-010-317-080	0E	C-CAP, S 39P-50 J CH	HRJNM	AV-D37

# PARTS LIST

! =  $\Delta$  SAFTY PARTS  
 C = Components marked

All components used on this model at the production line are shown in this service manual.

However, please note that not all components will be available as spare parts for after-sales service.

Components marked S and O are designated as spare parts for service and will be stocked at the spare parts centers.

Components marked X and R are not designated as spare parts for after sales service, and will not be stocked at the spare parts centers.

K NO. = Only use japanese.

! C	UNIT NAME	REF NO.	PARTS CODE	K NO.	DESCRIPTION	SUFFIX	MODEL NAME
O	AV SEL	R 0905	87-010-317-080	0E	C-CAP,S 39P-50 J CH	HTNM	AV-D37
X	AV SEL	R 0907	88-118-334-080	0E	C-RES,S 330K-1/10W J	HCNM	AV-D37
X	AV SEL	R 0907	88-118-334-080	0E	C-RES,S 330K-1/10W J	HRJNM	AV-D37
X	AV SEL	R 0907	88-118-334-080	0E	C-RES,S 330K-1/10W J	HTNM	AV-D37
X	AV SEL	R 0908	88-118-334-080	0E	C-RES,S 330K-1/10W J	HCNM	AV-D37
X	AV SEL	R 0908	88-118-334-080	0E	C-RES,S 330K-1/10W J	HRJNM	AV-D37
X	AV SEL	R 0908	88-118-334-080	0E	C-RES,S 330K-1/10W J	HTNM	AV-D37
X	AV SEL	R 0909	88-118-750-080	0E	C-RES,S 75-1/10W J	HCNM	AV-D37
X	AV SEL	R 0909	88-118-750-080	0E	C-RES,S 75-1/10W J	HRJNM	AV-D37
X	AV SEL	R 0909	88-118-750-080	0E	C-RES,S 75-1/10W J	HTNM	AV-D37
X	AV SEL	R 0910	88-118-750-080	0E	C-RES,S 75-1/10W J	HCNM	AV-D37
X	AV SEL	R 0910	88-118-750-080	0E	C-RES,S 75-1/10W J	HRJNM	AV-D37
X	AV SEL	R 0910	88-118-750-080	0E	C-RES,S 75-1/10W J	HTNM	AV-D37
X	AV SEL	R 0911	88-118-750-080	0E	C-RES,S 75-1/10W J	HCNM	AV-D37
X	AV SEL	R 0911	88-118-750-080	0E	C-RES,S 75-1/10W J	HRJNM	AV-D37
X	AV SEL	R 0911	88-118-750-080	0E	C-RES,S 75-1/10W J	HTNM	AV-D37
X	AV SEL	R 0912	88-118-750-080	0E	C-RES,S 75-1/10W J	HCNM	AV-D37
X	AV SEL	R 0912	88-118-750-080	0E	C-RES,S 75-1/10W J	HRJNM	AV-D37
X	AV SEL	R 0912	88-118-750-080	0E	C-RES,S 75-1/10W J	HTNM	AV-D37
X	AV SEL	R 0913	88-121-820-080	0E	RES,82-1/8W J	HCNM	AV-D37
X	AV SEL	R 0913	88-121-820-080	0E	RES,82-1/8W J	HRJNM	AV-D37
X	AV SEL	R 0913	88-121-820-080	0E	RES,82-1/8W J	HTNM	AV-D37
X	AV SEL	R 0914	88-128-820-080	0E	C-RES, 82-1/8W J	HCNM	AV-D37
X	AV SEL	R 0914	88-128-820-080	0E	C-RES, 82-1/8W J	HRJNM	AV-D37
X	AV SEL	R 0914	88-128-820-080	0E	C-RES, 82-1/8W J	HTNM	AV-D37
X	AV SEL	R 0915	88-128-820-080	0E	C-RES, 82-1/8W J	HCNM	AV-D37
X	AV SEL	R 0915	88-128-820-080	0E	C-RES, 82-1/8W J	HRJNM	AV-D37
X	AV SEL	R 0915	88-128-820-080	0E	C-RES, 82-1/8W J	HTNM	AV-D37
X	AV SEL	R 0916	88-118-102-080	0E	C-RES,S 1K-1/10W J	HCNM	AV-D37
X	AV SEL	R 0916	88-118-102-080	0E	C-RES,S 1K-1/10W J	HRJNM	AV-D37
X	AV SEL	R 0916	88-118-102-080	0E	C-RES,S 1K-1/10W J	HTNM	AV-D37
X	AV SEL	R 0917	88-118-102-080	0E	C-RES,S 1K-1/10W J	HCNM	AV-D37
X	AV SEL	R 0917	88-118-102-080	0E	C-RES,S 1K-1/10W J	HRJNM	AV-D37
X	AV SEL	R 0917	88-118-102-080	0E	C-RES,S 1K-1/10W J	HTNM	AV-D37
X	AV SEL	R 0918	88-118-682-080	0E	C-RES,S 6.8K-1/10W J	HCNM	AV-D37
X	AV SEL	R 0918	88-118-682-080	0E	C-RES,S 6.8K-1/10W J	HRJNM	AV-D37
X	AV SEL	R 0918	88-118-682-080	0E	C-RES,S 6.8K-1/10W J	HTNM	AV-D37
X	AV SEL	R 0918	88-118-682-080	0E	C-RES,S 6.8K-1/10W J	HCNM	AV-D37
X	AV SEL	R 0919	88-118-682-080	0E	C-RES,S 6.8K-1/10W J	HRJNM	AV-D37
X	AV SEL	R 0919	88-118-682-080	0E	C-RES,S 6.8K-1/10W J	HTNM	AV-D37
X	AV SEL	R 0920	88-118-104-080	0E	C-RES,S 100K-1/10W J	HCNM	AV-D37
X	AV SEL	R 0920	88-118-104-080	0E	C-RES,S 100K-1/10W J	HRJNM	AV-D37
X	AV SEL	R 0920	88-118-104-080	0E	C-RES,S 100K-1/10W J	HTNM	AV-D37
X	AV SEL	R 0921	88-118-101-080	0E	C-RES,S 100-1/10W J	HCNM	AV-D37
X	AV SEL	R 0921	88-118-101-080	0E	C-RES,S 100-1/10W J	HRJNM	AV-D37
X	AV SEL	R 0921	88-118-101-080	0E	C-RES,S 100-1/10W J	HTNM	AV-D37
X	AV SEL	R 0922	88-130-471-080	0E	RES,470-1/4W J	HCNM	AV-D37
X	AV SEL	R 0922	88-130-471-080	0E	RES,470-1/4W J	HRJNM	AV-D37
X	AV SEL	R 0922	88-130-471-080	0E	RES,470-1/4W J	HTNM	AV-D37
X	AV SEL	R 0923	88-118-101-080	0E	C-RES,S 100-1/10W J	HCNM	AV-D37
X	AV SEL	R 0923	88-118-101-080	0E	C-RES,S 100-1/10W J	HRJNM	AV-D37
X	AV SEL	R 0923	88-118-101-080	0E	C-RES,S 100-1/10W J	HTNM	AV-D37
X	AV SEL	R 0924	88-130-471-080	0E	RES,470-1/4W J	HCNM	AV-D37
X	AV SEL	R 0924	88-130-471-080	0E	RES,470-1/4W J	HRJNM	AV-D37
X	AV SEL	R 0924	88-130-471-080	0E	RES,470-1/4W J	HTNM	AV-D37
X	AV SEL	R 0925	88-118-101-080	0E	C-RES,S 100-1/10W J	HCNM	AV-D37
X	AV SEL	R 0925	88-118-101-080	0E	C-RES,S 100-1/10W J	HRJNM	AV-D37
X	AV SEL	R 0925	88-118-101-080	0E	C-RES,S 100-1/10W J	HTNM	AV-D37
X	AV SEL	R 0926	88-130-471-080	0E	RES,470-1/4W J	HCNM	AV-D37
X	AV SEL	R 0926	88-130-471-080	0E	RES,470-1/4W J	HRJNM	AV-D37
X	AV SEL	R 0926	88-130-471-080	0E	RES,470-1/4W J	HTNM	AV-D37
X	AV SEL	R 0927	88-121-750-080	0E	RES,75-1/8W J	HCNM	AV-D37
X	AV SEL	R 0927	88-121-750-080	0E	RES,75-1/8W J	HRJNM	AV-D37
X	AV SEL	R 0927	88-121-750-080	0E	RES,75-1/8W J	HTNM	AV-D37
X	AV SEL	R 0928	88-118-750-080	0E	C-RES,S 75-1/10W J	HCNM	AV-D37
X	AV SEL	R 0928	88-118-750-080	0E	C-RES,S 75-1/10W J	HRJNM	AV-D37
X	AV SEL	R 0928	88-118-750-080	0E	C-RES,S 75-1/10W J	HTNM	AV-D37
X	AV SEL	R 0929	88-121-750-080	0E	RES,75-1/8W J	HCNM	AV-D37
X	AV SEL	R 0929	88-121-750-080	0E	RES,75-1/8W J	HRJNM	AV-D37
X	AV SEL	R 0929	88-121-750-080	0E	RES,75-1/8W J	HTNM	AV-D37

# PARTS LIST

! = SAFETY PARTS  
 C = Components marked

All components used on this model at the production line are shown in this service manual.

However, please note that not all components will be available as spare parts for after-sales service.

Components marked S and O are designated as spare parts for service and will be stocked at the spare parts centers.

Components marked X and R are not designated as spare parts for after sales service, and will not be stocked at the spare parts centers.

K NO. = Only use Japanese.

! C	UNIT NAME	REF NO.	PARTS CODE	K NO.	DESCRIPTION	SUFFIX	MODEL NAME
X AV SEL		R 0930	88-118-000-080	0E	C-JUMPER,S	HCNM	AV-D37
X AV SEL		R 0930	88-118-000-080	0E	C-JUMPER,S	HRJNM	AV-D37
X AV SEL		R 0930	88-118-000-080	0E	C-JUMPER,S	HTNM	AV-D37
X AV SEL		R 0931	88-118-102-080	0E	C-RES,S 1K-1/10W J	HCNM	AV-D37
X AV SEL		R 0931	88-118-102-080	0E	C-RES,S 1K-1/10W J	HRJNM	AV-D37
X AV SEL		R 0931	88-118-102-080	0E	C-RES,S 1K-1/10W J	HTNM	AV-D37
X AV SEL		R 0932	88-128-102-080	0E	C-RES, 1K-1/8W J	HCNM	AV-D37
X AV SEL		R 0932	88-128-102-080	0E	C-RES, 1K-1/8W J	HRJNM	AV-D37
X AV SEL		R 0932	88-128-102-080	0E	C-RES, 1K-1/8W J	HTNM	AV-D37
X AV SEL		R 0933	88-118-103-080	0E	C-RES,S 10K-1/10W J	HCNM	AV-D37
X AV SEL		R 0933	88-118-103-080	0E	C-RES,S 10K-1/10W J	HRJNM	AV-D37
X AV SEL		R 0933	88-118-103-080	0E	C-RES,S 10K-1/10W J	HTNM	AV-D37
X AV SEL		R 0934	88-118-102-080	0E	C-RES,S 1K-1/10W J	HCNM	AV-D37
X AV SEL		R 0934	88-118-102-080	0E	C-RES,S 1K-1/10W J	HRJNM	AV-D37
X AV SEL		R 0934	88-118-102-080	0E	C-RES,S 1K-1/10W J	HTNM	AV-D37
X AV SEL		R 0935	88-118-102-080	0E	C-RES,S 1K-1/10W J	HCNM	AV-D37
X AV SEL		R 0935	88-118-102-080	0E	C-RES,S 1K-1/10W J	HRJNM	AV-D37
X AV SEL		R 0935	88-118-102-080	0E	C-RES,S 1K-1/10W J	HTNM	AV-D37
X AV SEL		R 0936	88-118-104-080	0E	C-RES,S 100K-1/10W J	HCNM	AV-D37
X AV SEL		R 0936	88-118-104-080	0E	C-RES,S 100K-1/10W J	HRJNM	AV-D37
X AV SEL		R 0936	88-118-104-080	0E	C-RES,S 100K-1/10W J	HTNM	AV-D37
X AV SEL		R 0937	88-118-102-080	0E	C-RES,S 1K-1/10W J	HCNM	AV-D37
X AV SEL		R 0937	88-118-102-080	0E	C-RES,S 1K-1/10W J	HRJNM	AV-D37
X AV SEL		R 0937	88-118-102-080	0E	C-RES,S 1K-1/10W J	HTNM	AV-D37
X AV SEL		R 0938	88-118-102-080	0E	C-RES,S 1K-1/10W J	HCNM	AV-D37
X AV SEL		R 0938	88-118-102-080	0E	C-RES,S 1K-1/10W J	HRJNM	AV-D37
X AV SEL		R 0938	88-118-102-080	0E	C-RES,S 1K-1/10W J	HTNM	AV-D37
X AV SEL		R 0939	88-118-473-080	0E	C-RES,S 47K-1/10W J	HCNM	AV-D37
X AV SEL		R 0939	88-118-473-080	0E	C-RES,S 47K-1/10W J	HRJNM	AV-D37
X AV SEL		R 0939	88-118-473-080	0E	C-RES,S 47K-1/10W J	HTNM	AV-D37
X AV SEL		R 0940	88-118-473-080	0E	C-RES,S 47K-1/10W J	HCNM	AV-D37
X AV SEL		R 0940	88-118-473-080	0E	C-RES,S 47K-1/10W J	HRJNM	AV-D37
X AV SEL		R 0940	88-118-473-080	0E	C-RES,S 47K-1/10W J	HTNM	AV-D37
X AV SEL		R 0941	88-118-102-080	0E	C-RES,S 1K-1/10W J	HCNM	AV-D37
X AV SEL		R 0941	88-118-102-080	0E	C-RES,S 1K-1/10W J	HRJNM	AV-D37
X AV SEL		R 0941	88-118-102-080	0E	C-RES,S 1K-1/10W J	HTNM	AV-D37
X AV SEL		R 0942	88-118-102-080	0E	C-RES,S 1K-1/10W J	HCNM	AV-D37
X AV SEL		R 0942	88-118-102-080	0E	C-RES,S 1K-1/10W J	HRJNM	AV-D37
X AV SEL		R 0942	88-118-102-080	0E	C-RES,S 1K-1/10W J	HTNM	AV-D37
X AV SEL		R 0943	88-118-473-080	0E	C-RES,S 47K-1/10W J	HCNM	AV-D37
X AV SEL		R 0943	88-118-473-080	0E	C-RES,S 47K-1/10W J	HRJNM	AV-D37
X AV SEL		R 0943	88-118-473-080	0E	C-RES,S 47K-1/10W J	HTNM	AV-D37
X AV SEL		R 0944	88-118-473-080	0E	C-RES,S 47K-1/10W J	HCNM	AV-D37
X AV SEL		R 0944	88-118-473-080	0E	C-RES,S 47K-1/10W J	HRJNM	AV-D37
X AV SEL		R 0944	88-118-473-080	0E	C-RES,S 47K-1/10W J	HTNM	AV-D37
X AV SEL		R 0945	88-118-102-080	0E	C-RES,S 1K-1/10W J	HCNM	AV-D37
X AV SEL		R 0945	88-118-102-080	0E	C-RES,S 1K-1/10W J	HRJNM	AV-D37
X AV SEL		R 0945	88-118-102-080	0E	C-RES,S 1K-1/10W J	HTNM	AV-D37
X AV SEL		R 0946	88-118-102-080	0E	C-RES,S 1K-1/10W J	HCNM	AV-D37
X AV SEL		R 0946	88-118-102-080	0E	C-RES,S 1K-1/10W J	HRJNM	AV-D37
X AV SEL		R 0946	88-118-102-080	0E	C-RES,S 1K-1/10W J	HTNM	AV-D37
X AV SEL		R 0947	88-118-473-080	0E	C-RES,S 47K-1/10W J	HCNM	AV-D37
X AV SEL		R 0947	88-118-473-080	0E	C-RES,S 47K-1/10W J	HRJNM	AV-D37
X AV SEL		R 0947	88-118-473-080	0E	C-RES,S 47K-1/10W J	HTNM	AV-D37
X AV SEL		R 0948	88-118-473-080	0E	C-RES,S 47K-1/10W J	HCNM	AV-D37
X AV SEL		R 0948	88-118-473-080	0E	C-RES,S 47K-1/10W J	HRJNM	AV-D37
X AV SEL		R 0948	88-118-473-080	0E	C-RES,S 47K-1/10W J	HTNM	AV-D37
X AV SEL		R 0949	88-118-103-080	0E	C-RES,S 10K-1/10W J	HCNM	AV-D37
X AV SEL		R 0949	88-118-103-080	0E	C-RES,S 10K-1/10W J	HRJNM	AV-D37
X AV SEL		R 0949	88-118-103-080	0E	C-RES,S 10K-1/10W J	HTNM	AV-D37
X AV SEL		R 0950	88-118-473-080	0E	C-RES,S 47K-1/10W J	HCNM	AV-D37
X AV SEL		R 0950	88-118-473-080	0E	C-RES,S 47K-1/10W J	HRJNM	AV-D37
X AV SEL		R 0950	88-118-473-080	0E	C-RES,S 47K-1/10W J	HTNM	AV-D37
O BBE		C 0601	87-010-378-080	0E	CAP,E 10-16 M 11L SME	HCNM	AV-D37
O BBE		C 0601	87-010-378-080	0E	CAP,E 10-16 M 11L SME	HRJNM	AV-D37
O BBE		C 0601	87-010-378-080	0E	CAP,E 10-16 M 11L SME	HTNM	AV-D37
O BBE		C 0602	87-010-378-080	0E	CAP,E 10-16 M 11L SME	HCNM	AV-D37
O BBE		C 0602	87-010-378-080	0E	CAP,E 10-16 M 11L SME	HRJNM	AV-D37
O BBE		C 0602	87-010-378-080	0E	CAP,E 10-16 M 11L SME	HTNM	AV-D37
O BBE		C 0603	87-012-156-080	0E	C-CAP,S 220P-50 J CH GRM	HCNM	AV-D37



# PARTS LIST

! =  $\Delta$  SAFTY PARTS  
 C = Components marked

All components used on this model at the production line are shown in this service manual.

However, please note that not all components will be available as spare parts for after-sales service.

Components marked S and O are designated as spare parts for service and will be stocked at the spare parts centers.

Components marked X and R are not designated as spare parts for after sales service, and will not be stocked at the spare parts centers.

K NO. = Only use Japanese.

! C	UNIT NAME	REF NO.	PARTS CODE	K NO.	DESCRIPTION	SUFFIX	MODEL NAME
O	BBE	C 0603	87-012-156-080	0E	C-CAP,S 220P-50 J CH GRM	HRJNM	AV-D37
O	BBE	C 0603	87-012-156-080	0E	C-CAP,S 220P-50 J CH GRM	HTNM	AV-D37
O	BBE	C 0604	87-012-156-080	0E	C-CAP,S 220P-50 J CH GRM	HCNM	AV-D37
O	BBE	C 0604	87-012-156-080	0E	C-CAP,S 220P-50 J CH GRM	HRJNM	AV-D37
O	BBE	C 0604	87-012-156-080	0E	C-CAP,S 220P-50 J CH GRM	HTNM	AV-D37
O	BBE	C 0605	87-010-405-080	0E	CAP,E 10-50 M 11L SME	HCNM	AV-D37
O	BBE	C 0605	87-010-405-080	0E	CAP,E 10-50 M 11L SME	HRJNM	AV-D37
O	BBE	C 0605	87-010-405-080	0E	CAP,E 10-50 M 11L SME	HTNM	AV-D37
O	BBE	C 0606	87-010-405-080	0E	CAP,E 10-50 M 11L SME	HCNM	AV-D37
O	BBE	C 0606	87-010-405-080	0E	CAP,E 10-50 M 11L SME	HRJNM	AV-D37
O	BBE	C 0606	87-010-405-080	0E	CAP,E 10-50 M 11L SME	HTNM	AV-D37
O	BBE	C 0607	87-012-140-080	0E	C-CAP,S 470P-50 J CH	HCNM	AV-D37
O	BBE	C 0607	87-012-140-080	0E	C-CAP,S 470P-50 J CH	HRJNM	AV-D37
O	BBE	C 0607	87-012-140-080	0E	C-CAP,S 470P-50 J CH	HTNM	AV-D37
O	BBE	C 0608	87-012-140-080	0E	C-CAP,S 470P-50 J CH	HCNM	AV-D37
O	BBE	C 0608	87-012-140-080	0E	C-CAP,S 470P-50 J CH	HRJNM	AV-D37
O	BBE	C 0608	87-012-140-080	0E	C-CAP,S 470P-50 J CH	HTNM	AV-D37
O	BBE	C 0609	87-010-188-080	0E	C-CAP,S 6800P-50 K B C2012	HCNM	AV-D37
O	BBE	C 0609	87-010-188-080	0E	C-CAP,S 6800P-50 K B C2012	HRJNM	AV-D37
O	BBE	C 0609	87-010-188-080	0E	C-CAP,S 6800P-50 K B C2012	HTNM	AV-D37
O	BBE	C 0610	87-010-188-080	0E	C-CAP,S 6800P-50 K B C2012	HCNM	AV-D37
O	BBE	C 0610	87-010-188-080	0E	C-CAP,S 6800P-50 K B C2012	HRJNM	AV-D37
O	BBE	C 0610	87-010-188-080	0E	C-CAP,S 6800P-50 K B C2012	HTNM	AV-D37
O	BBE	C 0611	87-010-197-080	0E	C-CAP,S 0.01-25 K B C2012	HCNM	AV-D37
O	BBE	C 0611	87-010-197-080	0E	C-CAP,S 0.01-25 K B C2012	HRJNM	AV-D37
O	BBE	C 0611	87-010-197-080	0E	C-CAP,S 0.01-25 K B C2012	HTNM	AV-D37
O	BBE	C 0612	87-010-195-080	0E	C-CAP,S 0.068-25 Z F C2012	HCNM	AV-D37
O	BBE	C 0612	87-010-195-080	0E	C-CAP,S 0.068-25 Z F C2012	HRJNM	AV-D37
O	BBE	C 0612	87-010-195-080	0E	C-CAP,S 0.068-25 Z F C2012	HTNM	AV-D37
O	BBE	C 0613	87-010-195-080	0E	C-CAP,S 0.068-25 Z F C2012	HCNM	AV-D37
O	BBE	C 0613	87-010-195-080	0E	C-CAP,S 0.068-25 Z F C2012	HRJNM	AV-D37
O	BBE	C 0613	87-010-195-080	0E	C-CAP,S 0.068-25 Z F C2012	HTNM	AV-D37
O	BBE	C 0614	87-010-197-080	0E	C-CAP,S 0.01-25 K B C2012	HCNM	AV-D37
O	BBE	C 0614	87-010-197-080	0E	C-CAP,S 0.01-25 K B C2012	HRJNM	AV-D37
O	BBE	C 0614	87-010-197-080	0E	C-CAP,S 0.01-25 K B C2012	HTNM	AV-D37
O	BBE	C 0615	87-010-404-080	0E	CAP,E 4.7-50 M 11L SME	HCNM	AV-D37
O	BBE	C 0615	87-010-404-080	0E	CAP,E 4.7-50 M 11L SME	HRJNM	AV-D37
O	BBE	C 0615	87-010-404-080	0E	CAP,E 4.7-50 M 11L SME	HTNM	AV-D37
O	BBE	C 0616	87-010-404-080	0E	CAP,E 4.7-50 M 11L SME	HCNM	AV-D37
O	BBE	C 0616	87-010-404-080	0E	CAP,E 4.7-50 M 11L SME	HRJNM	AV-D37
O	BBE	C 0616	87-010-404-080	0E	CAP,E 4.7-50 M 11L SME	HTNM	AV-D37
O	BBE	C 0617	87-010-404-080	0E	CAP,E 4.7-50 M 11L SME	HCNM	AV-D37
O	BBE	C 0617	87-010-404-080	0E	CAP,E 4.7-50 M 11L SME	HRJNM	AV-D37
O	BBE	C 0617	87-010-404-080	0E	CAP,E 4.7-50 M 11L SME	HTNM	AV-D37
O	BBE	C 0618	87-010-404-080	0E	CAP,E 4.7-50 M 11L SME	HCNM	AV-D37
O	BBE	C 0618	87-010-404-080	0E	CAP,E 4.7-50 M 11L SME	HRJNM	AV-D37
O	BBE	C 0618	87-010-404-080	0E	CAP,E 4.7-50 M 11L SME	HTNM	AV-D37
O	BBE	C 0619	87-010-404-080	0E	CAP,E 4.7-50 M 11L SME	HCNM	AV-D37
O	BBE	C 0619	87-010-404-080	0E	CAP,E 4.7-50 M 11L SME	HRJNM	AV-D37
O	BBE	C 0619	87-010-404-080	0E	CAP,E 4.7-50 M 11L SME	HTNM	AV-D37
O	BBE	C 0620	87-010-101-080	0E	CAP,E 220-16 M SME	HCNM	AV-D37
O	BBE	C 0620	87-010-101-080	0E	CAP,E 220-16 M SME	HRJNM	AV-D37
O	BBE	C 0620	87-010-101-080	0E	CAP,E 220-16 M SME	HTNM	AV-D37
O	BBE	C 0621	87-010-260-080	0E	CAP,E 47-25 M 11L SME	HCNM	AV-D37
O	BBE	C 0621	87-010-260-080	0E	CAP,E 47-25 M 11L SME	HRJNM	AV-D37
O	BBE	C 0621	87-010-260-080	0E	CAP,E 47-25 M 11L SME	HTNM	AV-D37
S	BBE	D 0601	87-A40-269-080	0E	C-DIODE,MC2836	HCNM	AV-D37
S	BBE	D 0601	87-A40-269-080	0E	C-DIODE,MC2836	HRJNM	AV-D37
S	BBE	D 0601	87-A40-269-080	0E	C-DIODE,MC2836	HTNM	AV-D37
S	BBE	D 0602	87-A40-269-080	0E	C-DIODE,MC2836	HCNM	AV-D37
S	BBE	D 0602	87-A40-269-080	0E	C-DIODE,MC2836	HRJNM	AV-D37
S	BBE	D 0602	87-A40-269-080	0E	C-DIODE,MC2836	HTNM	AV-D37
S	BBE	IC 0601	87-A20-056-010	1E	IC,BA3880S	HCNM	AV-D37
S	BBE	IC 0601	87-A20-056-010	1E	IC,BA3880S	HRJNM	AV-D37
S	BBE	IC 0601	87-A20-056-010	1E	IC,BA3880S	HTNM	AV-D37
X	BBE	JR 0604	88-118-000-080	0E	C-JUMPER,S	HCNM	AV-D37
X	BBE	JR 0604	88-118-000-080	0E	C-JUMPER,S	HRJNM	AV-D37
X	BBE	JR 0604	88-118-000-080	0E	C-JUMPER,S	HTNM	AV-D37
X	BBE	JR 0605	88-118-000-080	0E	C-JUMPER,S	HCNM	AV-D37
X	BBE	JR 0605	88-118-000-080	0E	C-JUMPER,S	HRJNM	AV-D37

# PARTS LIST

! =  $\Delta$  SAFTY PARTS  
 C = Components marked

All components used on this model at the production line are shown in this service manual.

However, please note that not all components will be available as spare parts for after-sales service.

Components marked S and O are designated as spare parts for service and will be stocked at the spare parts centers.

Components marked X and R are not designated as spare parts for after sales service, and will not be stocked at the spare parts centers.

K NO. = Only use japanese.

! C	UNIT NAME	REF NO.	PARTS CODE	K NO.	DESCRIPTION	SUFFIX	MODEL NAME
X	BBE	JR 0605	88-118-000-080	0E	C-JUMPER,S	HTNM	AV-D37
X	BBE	JR 0701	88-129-000-080	0E	C-JUMPER,3216	HCNM	AV-D37
X	BBE	JR 0701	88-129-000-080	0E	C-JUMPER,3216	HRJNM	AV-D37
X	BBE	JR 0701	88-129-000-080	0E	C-JUMPER,3216	HTNM	AV-D37
X	BBE	JR 0703	88-118-000-080	0E	C-JUMPER,S	HCNM	AV-D37
X	BBE	JR 0703	88-118-000-080	0E	C-JUMPER,S	HRJNM	AV-D37
X	BBE	JR 0703	88-118-000-080	0E	C-JUMPER,S	HTNM	AV-D37
X	BBE	R 0601	88-121-102-080	0E	RES,1K-1/8W J	HCNM	AV-D37
X	BBE	R 0601	88-121-102-080	0E	RES,1K-1/8W J	HRJNM	AV-D37
X	BBE	R 0601	88-121-102-080	0E	RES,1K-1/8W J	HTNM	AV-D37
X	BBE	R 0602	88-118-102-080	0E	C-RES,S 1K-1/10W J	HCNM	AV-D37
X	BBE	R 0602	88-118-102-080	0E	C-RES,S 1K-1/10W J	HRJNM	AV-D37
X	BBE	R 0602	88-118-102-080	0E	C-RES,S 1K-1/10W J	HTNM	AV-D37
X	BBE	R 0603	88-128-101-080	0E	C-RES, 100-1/8W J	HCNM	AV-D37
X	BBE	R 0603	88-128-101-080	0E	C-RES, 100-1/8W J	HRJNM	AV-D37
X	BBE	R 0603	88-128-101-080	0E	C-RES, 100-1/8W J	HTNM	AV-D37
X	BBE	R 0604	88-118-822-080	0E	C-RES,S 8.2K-1/10W J	HCNM	AV-D37
X	BBE	R 0604	88-118-822-080	0E	C-RES,S 8.2K-1/10W J	HRJNM	AV-D37
X	BBE	R 0604	88-118-822-080	0E	C-RES,S 8.2K-1/10W J	HTNM	AV-D37
X	BBE	R 0605	88-118-102-080	0E	C-RES,S 1K-1/10W J	HCNM	AV-D37
X	BBE	R 0605	88-118-102-080	0E	C-RES,S 1K-1/10W J	HRJNM	AV-D37
X	BBE	R 0606	88-118-332-080	0E	C-RES,S 3.3K-1/10W J	HCNM	AV-D37
X	BBE	R 0606	88-118-332-080	0E	C-RES,S 3.3K-1/10W J	HRJNM	AV-D37
X	BBE	R 0606	88-118-332-080	0E	C-RES,S 3.3K-1/10W J	HTNM	AV-D37
X	BBE	R 0607	88-118-562-080	0E	C-RES,S 5.6K-1/10W J	HCNM	AV-D37
X	BBE	R 0607	88-118-562-080	0E	C-RES,S 5.6K-1/10W J	HRJNM	AV-D37
X	BBE	R 0607	88-118-562-080	0E	C-RES,S 5.6K-1/10W J	HTNM	AV-D37
X	BBE	R 0608	88-118-102-080	0E	C-RES,S 1K-1/10W J	HCNM	AV-D37
X	BBE	R 0608	88-118-102-080	0E	C-RES,S 1K-1/10W J	HRJNM	AV-D37
X	BBE	R 0608	88-118-102-080	0E	C-RES,S 1K-1/10W J	HTNM	AV-D37
X	BBE	R 0609	88-118-473-080	0E	C-RES,S 47K-1/10W J	HCNM	AV-D37
X	BBE	R 0609	88-118-473-080	0E	C-RES,S 47K-1/10W J	HRJNM	AV-D37
X	BBE	R 0609	88-118-473-080	0E	C-RES,S 47K-1/10W J	HTNM	AV-D37
O	ELECTRICAL		87-003-317-010	1C	F-BEAD,15-25-15 E2515MRT	HCNM	AV-D37
O	ELECTRICAL		87-003-317-010	1C	F-BEAD,15-25-15 E2515MRT	HRJNM	AV-D37
O	ELECTRICAL		87-003-317-010	1C	F-BEAD,15-25-15 E2515MRT	HTNM	AV-D37
O	ELECTRICAL		87-018-209-080	0E	CAP,TC U 0.1-50 Z F UP050	HCNM	AV-D37
O	ELECTRICAL		87-018-209-080	0E	CAP,TC U 0.1-50 Z F UP050	HRJNM	AV-D37
O	ELECTRICAL		87-018-209-080	0E	CAP,TC U 0.1-50 Z F UP050	HTNM	AV-D37
!	X ELECTRICAL		87-069-033-010	0E	CABLE,TIE	HCNM	AV-D37
!	X ELECTRICAL		87-069-033-010	0E	CABLE,TIE	HRJNM	AV-D37
!	X ELECTRICAL		87-069-033-010	0E	CABLE,TIE	HTNM	AV-D37
X	ELECTRICAL		87-069-036-010	0E	CABLE,TIE 146(N)	HCNM	AV-D37
X	ELECTRICAL		87-069-036-010	0E	CABLE,TIE 146(N)	HRJNM	AV-D37
X	ELECTRICAL		87-069-036-010	0E	CABLE,TIE 146(N)	HTNM	AV-D37
!	O ELECTRICAL		87-085-185-010	0E	BUSHING,AC CORD(E) CM-22B	HCNM	AV-D37
!	O ELECTRICAL		87-085-185-010	0E	BUSHING,AC CORD(E) CM-22B	HRJNM	AV-D37
!	O ELECTRICAL		87-085-185-010	0E	BUSHING,AC CORD(E) CM-22B	HTNM	AV-D37
!	X ELECTRICAL		87-098-363-010	0E	LBL,FUSE 4A 250V T L	HCNM	AV-D37
!	X ELECTRICAL		87-098-363-010	0E	LBL,FUSE 4A 250V T L	HRJNM	AV-D37
!	X ELECTRICAL		87-098-363-010	0E	LBL,FUSE 4A 250V T L	HTNM	AV-D37
!	X ELECTRICAL		87-839-301-510	0E	TUBE,UL 3-15	HCNM	AV-D37
!	X ELECTRICAL		87-839-301-510	0E	TUBE,UL 3-15	HRJNM	AV-D37
!	X ELECTRICAL		87-839-301-510	0E	TUBE,UL 3-15	HTNM	AV-D37
!	O ELECTRICAL		87-A80-083-010	1C	AC CORD,HC BLK	HCNM	AV-D37
!	O ELECTRICAL		87-A80-092-010	1C	AC CORD ASSY,E BLK SUN FAI	HRJNM	AV-D37
!	O ELECTRICAL		87-A80-092-010	1C	AC CORD ASSY,E BLK SUN FAI	HTNM	AV-D37
O	ELECTRICAL		88-907-301-110	0E	FF-CABLE, 7P 1.25	HCNM	AV-D37
O	ELECTRICAL		88-907-301-110	0E	FF-CABLE, 7P 1.25	HRJNM	AV-D37
O	ELECTRICAL		88-907-301-110	0E	FF-CABLE, 7P 1.25	HTNM	AV-D37
O	ELECTRICAL		88-908-101-110	0E	FF-CABLE, 8P 1.25 100MM	HCNM	AV-D37
O	ELECTRICAL		88-908-101-110	0E	FF-CABLE, 8P 1.25 100MM	HRJNM	AV-D37
O	ELECTRICAL		88-908-101-110	0E	FF-CABLE, 8P 1.25 100MM	HTNM	AV-D37
O	ELECTRICAL		88-912-161-110	0E	FF-CABLE,12P 1.25 160MM	HCNM	AV-D37
O	ELECTRICAL		88-912-161-110	0E	FF-CABLE,12P 1.25 160MM	HRJNM	AV-D37
O	ELECTRICAL		88-912-161-110	0E	FF-CABLE,12P 1.25 160MM	HTNM	AV-D37
O	ELECTRICAL		88-916-101-110	0E	FF-CABLE, 16P 1.25 100MM	HCNM	AV-D37
O	ELECTRICAL		88-916-101-110	0E	FF-CABLE, 16P 1.25 100MM	HRJNM	AV-D37
O	ELECTRICAL		88-916-101-110	0E	FF-CABLE, 16P 1.25 100MM	HTNM	AV-D37

# PARTS LIST

! =  $\Delta$  SAFTY PARTS  
 C = Components marked

All components used on this model at the production line are shown in this service manual.

However, please note that not all components will be available as spare parts for after-sales service.

Components marked S and O are designated as spare parts for service and will be stocked at the spare parts centers.

Components marked X and R are not designated as spare parts for after sales service, and will not be stocked at the spare parts centers.

K NO. = Only use japanese.

! C	UNIT NAME	REF NO.	PARTS CODE	K NO.	DESCRIPTION	SUFFIX	MODEL NAME
O	ELECTRICAL		8A-AR3-643-010	1D	FF-CABLE, 32P 1.25 430MM	HCNM	AV-D37
O	ELECTRICAL		8A-AR3-643-010	1D	FF-CABLE, 32P 1.25 430MM	HRJNM	AV-D37
O	ELECTRICAL		8A-AR3-643-010	1D	FF-CABLE, 32P 1.25 430MM	HTNM	AV-D37
O	ELECTRICAL		8A-AR3-645-010	1A	FF-CABLE, 6P 1.25 380MM	HCNM	AV-D37
O	ELECTRICAL		8A-AR3-645-010	1A	FF-CABLE, 6P 1.25 380MM	HRJNM	AV-D37
O	ELECTRICAL		8A-AR3-645-010	1A	FF-CABLE, 6P 1.25 380MM	HTNM	AV-D37
X	ELECTRICAL		8A-AR4-201-010	--	PLATE, SUB PT 4H	HCNM	AV-D37
X	ELECTRICAL		8A-AR4-201-010	--	PLATE, SUB PT 4H	HRJNM	AV-D37
X	ELECTRICAL		8A-AR4-201-010	--	PLATE, SUB PT 4H	HTNM	AV-D37
O	ELECTRICAL		8A-AR4-606-010	2C	PT, AAR-4 (HC)	HCNM	AV-D37
O	ELECTRICAL		8A-AR4-606-010	2C	PT, AAR-4 (HC)	HRJNM	AV-D37
O	ELECTRICAL		8A-AR4-606-010	2C	PT, AAR-4 (HC)	HTNM	AV-D37
X	ELECTRICAL		8Z-AR2-609-010	0E	TUBE, UL 11.1-80	HCNM	AV-D37
X	ELECTRICAL		8Z-AR2-609-010	0E	TUBE, UL 11.1-80	HRJNM	AV-D37
X	ELECTRICAL		8Z-AR2-609-010	0E	TUBE, UL 11.1-80	HTNM	AV-D37
X	ELECTRICAL		A8-AZA-892-030	--	AZA-8 HCM	HCNM	AV-D37
X	ELECTRICAL		A8-AZA-892-030	--	AZA-8 HCM	HRJNM	AV-D37
X	ELECTRICAL		A8-AZA-892-030	--	AZA-8 HCM	HTNM	AV-D37
S	ELECTRICAL	D 0107	87-A40-115-060	1C	DIODE, RS603M	HCNM	AV-D37
S	ELECTRICAL	D 0107	87-A40-115-060	1C	DIODE, RS603M	HRJNM	AV-D37
S	ELECTRICAL	D 0107	87-A40-115-060	1C	DIODE, RS603M	HTNM	AV-D37
S	ELECTRICAL	D 0121	87-A40-224-010	1E	DIODE, GBU8DL	HCNM	AV-D37
S	ELECTRICAL	D 0121	87-A40-224-010	1E	DIODE, GBU8DL	HRJNM	AV-D37
S	ELECTRICAL	D 0121	87-A40-224-010	1E	DIODE, GBU8DL	HTNM	AV-D37
!	S	F 0101	87-035-458-010	0E	FUSE, 4A 250V T 218	HCNM	AV-D37
!	S	F 0101	87-035-458-010	0E	FUSE, 4A 250V T 218	HRJNM	AV-D37
!	S	F 0101	87-035-458-010	0E	FUSE, 4A 250V T 218	HTNM	AV-D37
!	S	F 0102	87-035-458-010	0E	FUSE, 4A 250V T 218	HCNM	AV-D37
!	S	F 0102	87-035-458-010	0E	FUSE, 4A 250V T 218	HRJNM	AV-D37
!	S	F 0102	87-035-458-010	0E	FUSE, 4A 250V T 218	HTNM	AV-D37
!	O	PT 0002	8Z-NF8-663-010	1D	PT, SUB ZNF-8 (H)	HCNM	AV-D37
!	O	PT 0002	8Z-NF8-663-010	1D	PT, SUB ZNF-8 (H)	HRJNM	AV-D37
!	O	PT 0002	8Z-NF8-663-010	1D	PT, SUB ZNF-8 (H)	HTNM	AV-D37
S	ELECTRICAL	Q 0108	89-213-702-010	1A	TR, 2SB1370E	HCNM	AV-D37
S	ELECTRICAL	Q 0108	89-213-702-010	1A	TR, 2SB1370E	HRJNM	AV-D37
S	ELECTRICAL	Q 0108	89-213-702-010	1A	TR, 2SB1370E	HTNM	AV-D37
S	ELECTRICAL	Q 0109	89-213-702-010	1A	TR, 2SB1370E	HCNM	AV-D37
S	ELECTRICAL	Q 0109	89-213-702-010	1A	TR, 2SB1370E	HRJNM	AV-D37
S	ELECTRICAL	Q 0109	89-213-702-010	1A	TR, 2SB1370E	HTNM	AV-D37
S	ELECTRICAL	Q 0213	87-A30-097-010	1C	TR, FN1016	HCNM	AV-D37
S	ELECTRICAL	Q 0213	87-A30-097-010	1C	TR, FN1016	HRJNM	AV-D37
S	ELECTRICAL	Q 0213	87-A30-097-010	1C	TR, FN1016	HTNM	AV-D37
S	ELECTRICAL	Q 0214	87-A30-097-010	1C	TR, FN1016	HCNM	AV-D37
S	ELECTRICAL	Q 0214	87-A30-097-010	1C	TR, FN1016	HRJNM	AV-D37
S	ELECTRICAL	Q 0214	87-A30-097-010	1C	TR, FN1016	HTNM	AV-D37
S	ELECTRICAL	Q 0215	87-A30-098-010	1C	TR, FP1016	HCNM	AV-D37
S	ELECTRICAL	Q 0215	87-A30-098-010	1C	TR, FP1016	HRJNM	AV-D37
S	ELECTRICAL	Q 0215	87-A30-098-010	1C	TR, FP1016	HTNM	AV-D37
S	ELECTRICAL	Q 0216	87-A30-098-010	1C	TR, FP1016	HCNM	AV-D37
S	ELECTRICAL	Q 0216	87-A30-098-010	1C	TR, FP1016	HRJNM	AV-D37
S	ELECTRICAL	Q 0216	87-A30-098-010	1C	TR, FP1016	HTNM	AV-D37
S	ELECTRICAL	Q 0313	87-A30-097-010	1C	TR, FN1016	HCNM	AV-D37
S	ELECTRICAL	Q 0313	87-A30-097-010	1C	TR, FN1016	HRJNM	AV-D37
S	ELECTRICAL	Q 0313	87-A30-097-010	1C	TR, FN1016	HTNM	AV-D37
S	ELECTRICAL	Q 0313	87-A30-097-010	1C	TR, FN1016	HCNM	AV-D37
S	ELECTRICAL	Q 0314	87-A30-097-010	1C	TR, FN1016	HCNM	AV-D37
S	ELECTRICAL	Q 0314	87-A30-097-010	1C	TR, FN1016	HRJNM	AV-D37
S	ELECTRICAL	Q 0314	87-A30-097-010	1C	TR, FN1016	HTNM	AV-D37
S	ELECTRICAL	Q 0314	87-A30-097-010	1C	TR, FN1016	HCNM	AV-D37
S	ELECTRICAL	Q 0315	87-A30-098-010	1C	TR, FP1016	HCNM	AV-D37
S	ELECTRICAL	Q 0315	87-A30-098-010	1C	TR, FP1016	HRJNM	AV-D37
S	ELECTRICAL	Q 0315	87-A30-098-010	1C	TR, FP1016	HTNM	AV-D37
S	ELECTRICAL	Q 0316	87-A30-098-010	1C	TR, FP1016	HCNM	AV-D37
S	ELECTRICAL	Q 0316	87-A30-098-010	1C	TR, FP1016	HRJNM	AV-D37
S	ELECTRICAL	Q 0316	87-A30-098-010	1C	TR, FP1016	HTNM	AV-D37
S	ELECTRICAL	Q 0407	87-A30-097-010	1C	TR, FN1016	HCNM	AV-D37
S	ELECTRICAL	Q 0407	87-A30-097-010	1C	TR, FN1016	HRJNM	AV-D37
S	ELECTRICAL	Q 0407	87-A30-097-010	1C	TR, FN1016	HTNM	AV-D37
S	ELECTRICAL	Q 0408	87-A30-098-010	1C	TR, FP1016	HCNM	AV-D37
S	ELECTRICAL	Q 0408	87-A30-098-010	1C	TR, FP1016	HRJNM	AV-D37
S	ELECTRICAL	Q 0408	87-A30-098-010	1C	TR, FP1016	HTNM	AV-D37
O	FRCB MECHA	*	8A-AR3-201-010	0E	GUIDE, FL	HCNM	AV-D37

# PARTS LIST

! =  $\Delta$  SAFTY PARTS  
 C = Components marked

All components used on this model at the production line are shown in this service manual.

However, please note that not all components will be available as spare parts for after-sales service.

Components marked S and O are designated as spare parts for service and will be stocked at the spare parts centers.

Components marked X and R are not designated as spare parts for after sales service, and will not be stocked at the spare parts centers.

K NO. = Only use japanese.

! C	UNIT NAME	REF NO.	PARTS CODE	K NO.	DESCRIPTION	SUFFIX	MODEL NAME
O	FRCB MECHA	*	8A-AR3-201-010	0E	GUIDE,FL	HRJNM	AV-D37
O	FRCB MECHA	*	8A-AR3-201-010	0E	GUIDE,FL	HTNM	AV-D37
O	FUNCTION	C	0501 87-010-404-080	0E	CAP,E 4.7-50 M 11L SME	HCNM	AV-D37
O	FUNCTION	C	0501 87-010-404-080	0E	CAP,E 4.7-50 M 11L SME	HRJNM	AV-D37
O	FUNCTION	C	0501 87-010-404-080	0E	CAP,E 4.7-50 M 11L SME	HTNM	AV-D37
O	FUNCTION	C	0502 87-010-404-080	0E	CAP,E 4.7-50 M 11L SME	HCNM	AV-D37
O	FUNCTION	C	0502 87-010-404-080	0E	CAP,E 4.7-50 M 11L SME	HRJNM	AV-D37
O	FUNCTION	C	0502 87-010-404-080	0E	CAP,E 4.7-50 M 11L SME	HTNM	AV-D37
O	FUNCTION	C	0503 87-012-157-080	0E	C-CAP,S 330P-50 J CH GRM	HCNM	AV-D37
O	FUNCTION	C	0503 87-012-157-080	0E	C-CAP,S 330P-50 J CH GRM	HRJNM	AV-D37
O	FUNCTION	C	0503 87-012-157-080	0E	C-CAP,S 330P-50 J CH GRM	HTNM	AV-D37
O	FUNCTION	C	0504 87-012-157-080	0E	C-CAP,S 330P-50 J CH GRM	HCNM	AV-D37
O	FUNCTION	C	0504 87-012-157-080	0E	C-CAP,S 330P-50 J CH GRM	HRJNM	AV-D37
O	FUNCTION	C	0504 87-012-157-080	0E	C-CAP,S 330P-50 J CH GRM	HTNM	AV-D37
X	FUNCTION	C	0505 88-700-860-810	0E	CAP,M 0.068-50 J AMZV	HCNM	AV-D37
X	FUNCTION	C	0505 88-700-860-810	0E	CAP,M 0.068-50 J AMZV	HRJNM	AV-D37
X	FUNCTION	C	0505 88-700-860-810	0E	CAP,M 0.068-50 J AMZV	HTNM	AV-D37
X	FUNCTION	C	0506 88-700-860-810	0E	CAP,M 0.068-50 J AMZV	HCNM	AV-D37
X	FUNCTION	C	0506 88-700-860-810	0E	CAP,M 0.068-50 J AMZV	HRJNM	AV-D37
X	FUNCTION	C	0506 88-700-860-810	0E	CAP,M 0.068-50 J AMZV	HTNM	AV-D37
X	FUNCTION	C	0507 88-700-629-810	0E	CAP,M 1200P-50 J	HCNM	AV-D37
X	FUNCTION	C	0507 88-700-629-810	0E	CAP,M 1200P-50 J	HRJNM	AV-D37
X	FUNCTION	C	0507 88-700-629-810	0E	CAP,M 1200P-50 J	HTNM	AV-D37
X	FUNCTION	C	0508 88-700-629-810	0E	CAP,M 1200P-50 J	HCNM	AV-D37
X	FUNCTION	C	0508 88-700-629-810	0E	CAP,M 1200P-50 J	HRJNM	AV-D37
X	FUNCTION	C	0508 88-700-629-810	0E	CAP,M 1200P-50 J	HTNM	AV-D37
X	FUNCTION	C	0509 88-700-889-810	0E	CAP,M 0.018-50 J	HCNM	AV-D37
X	FUNCTION	C	0509 88-700-889-810	0E	CAP,M 0.018-50 J	HRJNM	AV-D37
X	FUNCTION	C	0509 88-700-889-810	0E	CAP,M 0.018-50 J	HTNM	AV-D37
X	FUNCTION	C	0510 88-700-889-810	0E	CAP,M 0.018-50 J	HCNM	AV-D37
X	FUNCTION	C	0510 88-700-889-810	0E	CAP,M 0.018-50 J	HRJNM	AV-D37
X	FUNCTION	C	0510 88-700-889-810	0E	CAP,M 0.018-50 J	HTNM	AV-D37
O	FUNCTION	C	0511 87-010-404-080	0E	CAP,E 4.7-50 M 11L SME	HCNM	AV-D37
O	FUNCTION	C	0511 87-010-404-080	0E	CAP,E 4.7-50 M 11L SME	HRJNM	AV-D37
O	FUNCTION	C	0511 87-010-404-080	0E	CAP,E 4.7-50 M 11L SME	HTNM	AV-D37
O	FUNCTION	C	0512 87-010-404-080	0E	CAP,E 4.7-50 M 11L SME	HCNM	AV-D37
O	FUNCTION	C	0512 87-010-404-080	0E	CAP,E 4.7-50 M 11L SME	HRJNM	AV-D37
O	FUNCTION	C	0512 87-010-404-080	0E	CAP,E 4.7-50 M 11L SME	HTNM	AV-D37
O	FUNCTION	C	0513 87-010-260-080	0E	CAP,E 47-25 M 11L SME	HCNM	AV-D37
O	FUNCTION	C	0513 87-010-260-080	0E	CAP,E 47-25 M 11L SME	HRJNM	AV-D37
O	FUNCTION	C	0513 87-010-260-080	0E	CAP,E 47-25 M 11L SME	HTNM	AV-D37
O	FUNCTION	C	0514 87-010-260-080	0E	CAP,E 47-25 M 11L SME	HCNM	AV-D37
O	FUNCTION	C	0514 87-010-260-080	0E	CAP,E 47-25 M 11L SME	HRJNM	AV-D37
O	FUNCTION	C	0514 87-010-260-080	0E	CAP,E 47-25 M 11L SME	HTNM	AV-D37
O	FUNCTION	C	0515 87-010-370-080	0E	CAP,E 330-6.3 M SME	HCNM	AV-D37
O	FUNCTION	C	0515 87-010-370-080	0E	CAP,E 330-6.3 M SME	HRJNM	AV-D37
O	FUNCTION	C	0515 87-010-370-080	0E	CAP,E 330-6.3 M SME	HTNM	AV-D37
O	FUNCTION	C	0516 87-010-370-080	0E	CAP,E 330-6.3 M SME	HCNM	AV-D37
O	FUNCTION	C	0516 87-010-370-080	0E	CAP,E 330-6.3 M SME	HRJNM	AV-D37
O	FUNCTION	C	0516 87-010-370-080	0E	CAP,E 330-6.3 M SME	HTNM	AV-D37
O	FUNCTION	C	0517 87-010-196-080	0E	C-CAP,S 0.1-25 Z F C2012	HCNM	AV-D37
O	FUNCTION	C	0517 87-010-196-080	0E	C-CAP,S 0.1-25 Z F C2012	HRJNM	AV-D37
O	FUNCTION	C	0517 87-010-196-080	0E	C-CAP,S 0.1-25 Z F C2012	HTNM	AV-D37
O	FUNCTION	C	0518 87-010-196-080	0E	C-CAP,S 0.1-25 Z F C2012	HCNM	AV-D37
O	FUNCTION	C	0518 87-010-196-080	0E	C-CAP,S 0.1-25 Z F C2012	HRJNM	AV-D37
O	FUNCTION	C	0518 87-010-196-080	0E	C-CAP,S 0.1-25 Z F C2012	HTNM	AV-D37
O	FUNCTION	C	0519 87-010-196-080	0E	C-CAP,S 0.1-25 Z F C2012	HCNM	AV-D37
O	FUNCTION	C	0519 87-010-196-080	0E	C-CAP,S 0.1-25 Z F C2012	HRJNM	AV-D37
O	FUNCTION	C	0519 87-010-196-080	0E	C-CAP,S 0.1-25 Z F C2012	HTNM	AV-D37
O	FUNCTION	C	0520 87-010-196-080	0E	C-CAP,S 0.1-25 Z F C2012	HCNM	AV-D37
O	FUNCTION	C	0520 87-010-196-080	0E	C-CAP,S 0.1-25 Z F C2012	HRJNM	AV-D37
O	FUNCTION	C	0520 87-010-196-080	0E	C-CAP,S 0.1-25 Z F C2012	HTNM	AV-D37
O	FUNCTION	C	0531 87-010-213-080	0E	C-CAP,S 0.015-25 K B GRM	HCNM	AV-D37
O	FUNCTION	C	0531 87-010-213-080	0E	C-CAP,S 0.015-25 K B GRM	HRJNM	AV-D37
O	FUNCTION	C	0531 87-010-213-080	0E	C-CAP,S 0.015-25 K B GRM	HTNM	AV-D37
O	FUNCTION	C	0532 87-010-992-080	0E	C-CAP,S 0.047-25 K B MK212	HCNM	AV-D37
O	FUNCTION	C	0532 87-010-992-080	0E	C-CAP,S 0.047-25 K B MK212	HRJNM	AV-D37
O	FUNCTION	C	0532 87-010-992-080	0E	C-CAP,S 0.047-25 K B MK212	HTNM	AV-D37
O	FUNCTION	C	0533 87-015-785-080	0E	C-CAP, 0.1-25 Z F C3216	HCNM	AV-D37
O	FUNCTION	C	0533 87-015-785-080	0E	C-CAP, 0.1-25 Z F C3216	HRJNM	AV-D37

# PARTS LIST

! =  $\Delta$  SAFTY PARTS  
 C = Components marked

All components used on this model at the production line are shown in this service manual.

However, please note that not all components will be available as spare parts for after-sales service.

Components marked S and O are designated as spare parts for service and will be stocked at the spare parts centers.

Components marked X and R are not designated as spare parts for after sales service, and will not be stocked at the spare parts centers.

K NO. = Only use japanese.

! C	UNIT NAME	REF NO.	PARTS CODE	K NO.	DESCRIPTION	SUFFIX	MODEL NAME
O	FUNCTION	C 0533	87-015-785-080	0E	C-CAP, 0.1-25 Z F C3216	HTNM	AV-D37
O	FUNCTION	C 0535	87-010-404-080	0E	CAP,E 4.7-50 M 11L SME	HCNM	AV-D37
O	FUNCTION	C 0535	87-010-404-080	0E	CAP,E 4.7-50 M 11L SME	HRJNM	AV-D37
O	FUNCTION	C 0535	87-010-404-080	0E	CAP,E 4.7-50 M 11L SME	HTNM	AV-D37
O	FUNCTION	C 0536	87-010-404-080	0E	CAP,E 4.7-50 M 11L SME	HCNM	AV-D37
O	FUNCTION	C 0536	87-010-404-080	0E	CAP,E 4.7-50 M 11L SME	HRJNM	AV-D37
O	FUNCTION	C 0536	87-010-404-080	0E	CAP,E 4.7-50 M 11L SME	HTNM	AV-D37
X	FUNCTION	C 0537	88-710-919-810	0E	CAP,M 0.1-50 J TFL	HCNM	AV-D37
X	FUNCTION	C 0537	88-710-919-810	0E	CAP,M 0.1-50 J TFL	HRJNM	AV-D37
X	FUNCTION	C 0537	88-710-919-810	0E	CAP,M 0.1-50 J TFL	HTNM	AV-D37
X	FUNCTION	C 0538	88-710-919-810	0E	CAP,M 0.1-50 J TFL	HCNM	AV-D37
X	FUNCTION	C 0538	88-710-919-810	0E	CAP,M 0.1-50 J TFL	HRJNM	AV-D37
X	FUNCTION	C 0538	88-710-919-810	0E	CAP,M 0.1-50 J TFL	HTNM	AV-D37
O	FUNCTION	C 0539	87-010-401-080	0E	CAP,E 1-50 M 11L SME	HCNM	AV-D37
O	FUNCTION	C 0539	87-010-401-080	0E	CAP,E 1-50 M 11L SME	HRJNM	AV-D37
O	FUNCTION	C 0539	87-010-401-080	0E	CAP,E 1-50 M 11L SME	HTNM	AV-D37
O	FUNCTION	C 0540	87-010-401-080	0E	CAP,E 1-50 M 11L SME	HCNM	AV-D37
O	FUNCTION	C 0540	87-010-401-080	0E	CAP,E 1-50 M 11L SME	HRJNM	AV-D37
O	FUNCTION	C 0540	87-010-401-080	0E	CAP,E 1-50 M 11L SME	HTNM	AV-D37
O	FUNCTION	C 0541	87-010-185-080	0E	C-CAP,S 3900P-50 K B	HCNM	AV-D37
O	FUNCTION	C 0541	87-010-185-080	0E	C-CAP,S 3900P-50 K B	HRJNM	AV-D37
O	FUNCTION	C 0541	87-010-185-080	0E	C-CAP,S 3900P-50 K B	HTNM	AV-D37
O	FUNCTION	C 0542	87-010-185-080	0E	C-CAP,S 3900P-50 K B	HCNM	AV-D37
O	FUNCTION	C 0542	87-010-185-080	0E	C-CAP,S 3900P-50 K B	HRJNM	AV-D37
O	FUNCTION	C 0542	87-010-185-080	0E	C-CAP,S 3900P-50 K B	HTNM	AV-D37
X	FUNCTION	C 0543	88-710-969-810	0E	CAP,M 0.12-50 J TFL ECQV	HCNM	AV-D37
X	FUNCTION	C 0543	88-710-969-810	0E	CAP,M 0.12-50 J TFL ECQV	HRJNM	AV-D37
X	FUNCTION	C 0543	88-710-969-810	0E	CAP,M 0.12-50 J TFL ECQV	HTNM	AV-D37
X	FUNCTION	C 0544	88-710-969-810	0E	CAP,M 0.12-50 J TFL ECQV	HCNM	AV-D37
X	FUNCTION	C 0544	88-710-969-810	0E	CAP,M 0.12-50 J TFL ECQV	HRJNM	AV-D37
X	FUNCTION	C 0544	88-710-969-810	0E	CAP,M 0.12-50 J TFL ECQV	HTNM	AV-D37
X	FUNCTION	C 0544	88-710-969-810	0E	CAP,M 0.12-50 J TFL ECQV	HTNM	AV-D37
X	FUNCTION	C 0545	88-710-989-810	0E	CAP,M 0.056-50 J TFL	HCNM	AV-D37
X	FUNCTION	C 0545	88-710-989-810	0E	CAP,M 0.056-50 J TFL	HRJNM	AV-D37
X	FUNCTION	C 0545	88-710-989-810	0E	CAP,M 0.056-50 J TFL	HTNM	AV-D37
X	FUNCTION	C 0546	88-710-989-810	0E	CAP,M 0.056-50 J TFL	HCNM	AV-D37
X	FUNCTION	C 0546	88-710-989-810	0E	CAP,M 0.056-50 J TFL	HRJNM	AV-D37
X	FUNCTION	C 0546	88-710-989-810	0E	CAP,M 0.056-50 J TFL	HTNM	AV-D37
O	FUNCTION	C 0547	87-010-404-080	0E	CAP,E 4.7-50 M 11L SME	HCNM	AV-D37
O	FUNCTION	C 0547	87-010-404-080	0E	CAP,E 4.7-50 M 11L SME	HRJNM	AV-D37
O	FUNCTION	C 0547	87-010-404-080	0E	CAP,E 4.7-50 M 11L SME	HTNM	AV-D37
O	FUNCTION	C 0549	87-016-081-080	0E	C-CAP,S 0.1-16 K R GRM	HCNM	AV-D37
O	FUNCTION	C 0549	87-016-081-080	0E	C-CAP,S 0.1-16 K R GRM	HRJNM	AV-D37
O	FUNCTION	C 0549	87-016-081-080	0E	C-CAP,S 0.1-16 K R GRM	HTNM	AV-D37
O	FUNCTION	C 0550	87-016-081-080	0E	C-CAP,S 0.1-16 K R GRM	HCNM	AV-D37
O	FUNCTION	C 0550	87-016-081-080	0E	C-CAP,S 0.1-16 K R GRM	HRJNM	AV-D37
O	FUNCTION	C 0550	87-016-081-080	0E	C-CAP,S 0.1-16 K R GRM	HTNM	AV-D37
O	FUNCTION	C 0554	87-010-196-080	0E	C-CAP,S 0.1-25 Z F C2012	HCNM	AV-D37
O	FUNCTION	C 0554	87-010-196-080	0E	C-CAP,S 0.1-25 Z F C2012	HRJNM	AV-D37
O	FUNCTION	C 0554	87-010-196-080	0E	C-CAP,S 0.1-25 Z F C2012	HTNM	AV-D37
O	FUNCTION	C 0555	87-010-405-080	0E	CAP,E 10-50 M 11L SME	HCNM	AV-D37
O	FUNCTION	C 0555	87-010-405-080	0E	CAP,E 10-50 M 11L SME	HRJNM	AV-D37
O	FUNCTION	C 0555	87-010-405-080	0E	CAP,E 10-50 M 11L SME	HTNM	AV-D37
O	FUNCTION	C 0556	87-010-248-080	0E	CAP,E 220-10 M 11L SME	HCNM	AV-D37
O	FUNCTION	C 0556	87-010-248-080	0E	CAP,E 220-10 M 11L SME	HRJNM	AV-D37
O	FUNCTION	C 0556	87-010-248-080	0E	CAP,E 220-10 M 11L SME	HTNM	AV-D37
O	FUNCTION	C 0557	87-010-405-080	0E	CAP,E 10-50 M 11L SME	HCNM	AV-D37
O	FUNCTION	C 0557	87-010-405-080	0E	CAP,E 10-50 M 11L SME	HRJNM	AV-D37
O	FUNCTION	C 0557	87-010-405-080	0E	CAP,E 10-50 M 11L SME	HTNM	AV-D37
O	FUNCTION	C 0558	87-010-992-080	0E	C-CAP,S 0.047-25 K B MK212	HCNM	AV-D37
O	FUNCTION	C 0558	87-010-992-080	0E	C-CAP,S 0.047-25 K B MK212	HRJNM	AV-D37
O	FUNCTION	C 0558	87-010-992-080	0E	C-CAP,S 0.047-25 K B MK212	HTNM	AV-D37
O	FUNCTION	C 0559	87-010-181-080	0E	C-CAP,S 1800P-50 K B GRM	HCNM	AV-D37
O	FUNCTION	C 0559	87-010-181-080	0E	C-CAP,S 1800P-50 K B GRM	HRJNM	AV-D37
O	FUNCTION	C 0559	87-010-181-080	0E	C-CAP,S 1800P-50 K B GRM	HTNM	AV-D37
O	FUNCTION	C 0561	87-012-140-080	0E	C-CAP,S 470P-50 J CH	HCNM	AV-D37
O	FUNCTION	C 0561	87-012-140-080	0E	C-CAP,S 470P-50 J CH	HRJNM	AV-D37
O	FUNCTION	C 0561	87-012-140-080	0E	C-CAP,S 470P-50 J CH	HTNM	AV-D37
O	FUNCTION	C 0562	87-012-140-080	0E	C-CAP,S 470P-50 J CH	HCNM	AV-D37
O	FUNCTION	C 0562	87-012-140-080	0E	C-CAP,S 470P-50 J CH	HRJNM	AV-D37
O	FUNCTION	C 0562	87-012-140-080	0E	C-CAP,S 470P-50 J CH	HTNM	AV-D37

# PARTS LIST

! =  $\Delta$  SAFTY PARTS  
 C = Components marked

All components used on this model at the production line are shown in this service manual.

However, please note that not all components will be available as spare parts for after-sales service.

Components marked S and O are designated as spare parts for service and will be stocked at the spare parts centers.

Components marked X and R are not designated as spare parts for after sales service, and will not be stocked at the spare parts centers.

K NO. = Only use japanese.

! C	UNIT NAME	REF NO.	PARTS CODE	K NO.	DESCRIPTION	SUFFIX	MODEL NAME
O	FUNCTION	C 0565	87-010-404-080	0E	CAP,E 4.7-50 M 11L SME	HCNM	AV-D37
O	FUNCTION	C 0565	87-010-404-080	0E	CAP,E 4.7-50 M 11L SME	HRJNM	AV-D37
O	FUNCTION	C 0565	87-010-404-080	0E	CAP,E 4.7-50 M 11L SME	HTNM	AV-D37
O	FUNCTION	C 0566	87-010-404-080	0E	CAP,E 4.7-50 M 11L SME	HCNM	AV-D37
O	FUNCTION	C 0566	87-010-404-080	0E	CAP,E 4.7-50 M 11L SME	HRJNM	AV-D37
O	FUNCTION	C 0566	87-010-404-080	0E	CAP,E 4.7-50 M 11L SME	HTNM	AV-D37
!	O FUNCTION	CN 0501	87-A60-039-010	1A	CONN,32P V 9604S-32C	HCNM	AV-D37
!	O FUNCTION	CN 0501	87-A60-039-010	1A	CONN,32P V 9604S-32C	HRJNM	AV-D37
!	O FUNCTION	CN 0501	87-A60-039-010	1A	CONN,32P V 9604S-32C	HTNM	AV-D37
!	O FUNCTION	CN 0502	87-A60-061-010	0E	CONN,06P V 9604S-06C	HCNM	AV-D37
!	O FUNCTION	CN 0502	87-A60-061-010	0E	CONN,06P V 9604S-06C	HRJNM	AV-D37
!	O FUNCTION	CN 0502	87-A60-061-010	0E	CONN,06P V 9604S-06C	HTNM	AV-D37
!	O FUNCTION	CN 0503	87-A60-056-010	0E	CONN,12P V 9604S-12C	HCNM	AV-D37
!	O FUNCTION	CN 0503	87-A60-056-010	0E	CONN,12P V 9604S-12C	HRJNM	AV-D37
!	O FUNCTION	CN 0503	87-A60-056-010	0E	CONN,12P V 9604S-12C	HTNM	AV-D37
O	FUNCTION	CN 0702	87-099-668-010	0E	CONN,9P TUC-P 9P-B1	HCNM	AV-D37
O	FUNCTION	CN 0702	87-099-668-010	0E	CONN,9P TUC-P 9P-B1	HRJNM	AV-D37
O	FUNCTION	CN 0702	87-099-668-010	0E	CONN,9P TUC-P 9P-B1	HTNM	AV-D37
S	FUNCTION	D 0501	87-A40-438-080	0E	ZENER,MTZJ4.7A	HCNM	AV-D37
S	FUNCTION	D 0501	87-A40-438-080	0E	ZENER,MTZJ4.7A	HRJNM	AV-D37
S	FUNCTION	D 0501	87-A40-438-080	0E	ZENER,MTZJ4.7A	HTNM	AV-D37
S	FUNCTION	D 0501	87-A40-438-080	0E	ZENER,MTZJ4.7A	HCNM	AV-D37
S	FUNCTION	D 0502	87-A40-438-080	0E	ZENER,MTZJ4.7A	HRJNM	AV-D37
S	FUNCTION	D 0502	87-A40-438-080	0E	ZENER,MTZJ4.7A	HTNM	AV-D37
S	FUNCTION	D 0503	87-070-274-080	0E	DIODE,1N4003 SEM	HCNM	AV-D37
S	FUNCTION	D 0503	87-070-274-080	0E	DIODE,1N4003 SEM	HRJNM	AV-D37
S	FUNCTION	D 0503	87-070-274-080	0E	DIODE,1N4003 SEM	HTNM	AV-D37
X	FUNCTION	D 0504	88-100-000-010	0E	PLATING-JW, 0.58 SN95	HCNM	AV-D37
X	FUNCTION	D 0504	88-100-000-010	0E	PLATING-JW, 0.58 SN95	HRJNM	AV-D37
X	FUNCTION	D 0504	88-100-000-010	0E	PLATING-JW, 0.58 SN95	HTNM	AV-D37
S	FUNCTION	IC 0501	87-017-022-080	1A	C-IC,NJM2068M-D(T1)	HCNM	AV-D37
S	FUNCTION	IC 0501	87-017-022-080	1A	C-IC,NJM2068M-D(T1)	HRJNM	AV-D37
S	FUNCTION	IC 0501	87-017-022-080	1A	C-IC,NJM2068M-D(T1)	HTNM	AV-D37
S	FUNCTION	IC 0502	87-017-726-080	1B	C-IC,BU4052BCF	HCNM	AV-D37
S	FUNCTION	IC 0502	87-017-726-080	1B	C-IC,BU4052BCF	HRJNM	AV-D37
S	FUNCTION	IC 0502	87-017-726-080	1B	C-IC,BU4052BCF	HTNM	AV-D37
S	FUNCTION	IC 0503	87-A21-202-040	1H	C-IC,M62445AFP	HCNM	AV-D37
S	FUNCTION	IC 0503	87-A21-202-040	1H	C-IC,M62445AFP	HRJNM	AV-D37
S	FUNCTION	IC 0503	87-A21-202-040	1H	C-IC,M62445AFP	HTNM	AV-D37
O	FUNCTION	J 0501	87-A60-947-010	1C	JACK,PIN 4P W/R GLD	HCNM	AV-D37
O	FUNCTION	J 0501	87-A60-947-010	1C	JACK,PIN 4P W/R GLD	HRJNM	AV-D37
O	FUNCTION	J 0501	87-A60-947-010	1C	JACK,PIN 4P W/R GLD	HTNM	AV-D37
O	FUNCTION	J 0502	87-A60-947-010	1C	JACK,PIN 4P W/R GLD	HCNM	AV-D37
O	FUNCTION	J 0502	87-A60-947-010	1C	JACK,PIN 4P W/R GLD	HRJNM	AV-D37
O	FUNCTION	J 0502	87-A60-947-010	1C	JACK,PIN 4P W/R GLD	HTNM	AV-D37
X	FUNCTION	JR 0152	88-118-000-080	0E	C-JUMPER,S	HCNM	AV-D37
X	FUNCTION	JR 0152	88-118-000-080	0E	C-JUMPER,S	HRJNM	AV-D37
X	FUNCTION	JR 0152	88-118-000-080	0E	C-JUMPER,S	HTNM	AV-D37
X	FUNCTION	JR 0158	88-118-000-080	0E	C-JUMPER,S	HCNM	AV-D37
X	FUNCTION	JR 0158	88-118-000-080	0E	C-JUMPER,S	HRJNM	AV-D37
X	FUNCTION	JR 0158	88-118-000-080	0E	C-JUMPER,S	HTNM	AV-D37
X	FUNCTION	JR 0501	88-118-000-080	0E	C-JUMPER,S	HCNM	AV-D37
X	FUNCTION	JR 0501	88-118-000-080	0E	C-JUMPER,S	HRJNM	AV-D37
X	FUNCTION	JR 0501	88-118-000-080	0E	C-JUMPER,S	HTNM	AV-D37
X	FUNCTION	JR 0501	88-118-000-080	0E	C-JUMPER,S	HCNM	AV-D37
X	FUNCTION	JR 0502	88-118-000-080	0E	C-JUMPER,S	HRJNM	AV-D37
X	FUNCTION	JR 0502	88-118-000-080	0E	C-JUMPER,S	HTNM	AV-D37
X	FUNCTION	JR 0502	88-118-000-080	0E	C-JUMPER,S	HCNM	AV-D37
X	FUNCTION	JR 0504	88-118-000-080	0E	C-JUMPER,S	HRJNM	AV-D37
X	FUNCTION	JR 0504	88-118-000-080	0E	C-JUMPER,S	HTNM	AV-D37
X	FUNCTION	JR 0505	88-118-000-080	0E	C-JUMPER,S	HCNM	AV-D37
X	FUNCTION	JR 0505	88-118-000-080	0E	C-JUMPER,S	HRJNM	AV-D37
X	FUNCTION	JR 0505	88-118-000-080	0E	C-JUMPER,S	HTNM	AV-D37
X	FUNCTION	JR 0506	88-118-000-080	0E	C-JUMPER,S	HCNM	AV-D37
X	FUNCTION	JR 0506	88-118-000-080	0E	C-JUMPER,S	HRJNM	AV-D37
X	FUNCTION	JR 0506	88-118-000-080	0E	C-JUMPER,S	HTNM	AV-D37
X	FUNCTION	JR 0507	88-118-000-080	0E	C-JUMPER,S	HCNM	AV-D37
X	FUNCTION	JR 0507	88-118-000-080	0E	C-JUMPER,S	HRJNM	AV-D37
X	FUNCTION	JR 0507	88-118-000-080	0E	C-JUMPER,S	HTNM	AV-D37
X	FUNCTION	JR 0509	88-118-000-080	0E	C-JUMPER,S	HCNM	AV-D37

# PARTS LIST

! =  $\Delta$  SAFTY PARTS  
 C = Components marked

All components used on this model at the production line are shown in this service manual.

However, please note that not all components will be available as spare parts for after-sales service.

Components marked S and O are designated as spare parts for service and will be stocked at the spare parts centers.

Components marked X and R are not designated as spare parts for after sales service, and will not be stocked at the spare parts centers.

K NO. = Only use japanese.

! C	UNIT NAME	REF NO.	PARTS CODE	K NO.	DESCRIPTION	SUFFIX	MODEL NAME
X	FUNCTION	JR 0509	88-118-000-080	0E	C-JUMPER, S	HRJNM	AV-D37
X	FUNCTION	JR 0509	88-118-000-080	0E	C-JUMPER, S	HTNM	AV-D37
X	FUNCTION	JR 0513	88-118-000-080	0E	C-JUMPER, S	HCNM	AV-D37
X	FUNCTION	JR 0513	88-118-000-080	0E	C-JUMPER, S	HRJNM	AV-D37
X	FUNCTION	JR 0513	88-118-000-080	0E	C-JUMPER, S	HTNM	AV-D37
X	FUNCTION	JR 0522	88-118-000-080	0E	C-JUMPER, S	HCNM	AV-D37
X	FUNCTION	JR 0522	88-118-000-080	0E	C-JUMPER, S	HRJNM	AV-D37
X	FUNCTION	JR 0522	88-118-000-080	0E	C-JUMPER, S	HTNM	AV-D37
X	FUNCTION	JR 0524	88-129-000-080	0E	C-JUMPER, 3216	HCNM	AV-D37
X	FUNCTION	JR 0524	88-129-000-080	0E	C-JUMPER, 3216	HRJNM	AV-D37
X	FUNCTION	JR 0524	88-129-000-080	0E	C-JUMPER, 3216	HTNM	AV-D37
X	FUNCTION	JR 0531	88-118-000-080	0E	C-JUMPER, S	HCNM	AV-D37
X	FUNCTION	JR 0531	88-118-000-080	0E	C-JUMPER, S	HRJNM	AV-D37
X	FUNCTION	JR 0531	88-118-000-080	0E	C-JUMPER, S	HTNM	AV-D37
X	FUNCTION	JR 0532	88-118-000-080	0E	C-JUMPER, S	HCNM	AV-D37
X	FUNCTION	JR 0532	88-118-000-080	0E	C-JUMPER, S	HRJNM	AV-D37
X	FUNCTION	JR 0532	88-118-000-080	0E	C-JUMPER, S	HTNM	AV-D37
X	FUNCTION	JR 0534	88-118-000-080	0E	C-JUMPER, S	HCNM	AV-D37
X	FUNCTION	JR 0534	88-118-000-080	0E	C-JUMPER, S	HRJNM	AV-D37
X	FUNCTION	JR 0534	88-118-000-080	0E	C-JUMPER, S	HTNM	AV-D37
X	FUNCTION	JR 0538	88-128-473-080	0E	C-RES, 47K-1/8W J	HCNM	AV-D37
X	FUNCTION	JR 0538	88-128-473-080	0E	C-RES, 47K-1/8W J	HRJNM	AV-D37
X	FUNCTION	JR 0538	88-128-473-080	0E	C-RES, 47K-1/8W J	HTNM	AV-D37
X	FUNCTION	JR 0539	88-129-000-080	0E	C-JUMPER, 3216	HCNM	AV-D37
X	FUNCTION	JR 0539	88-129-000-080	0E	C-JUMPER, 3216	HRJNM	AV-D37
X	FUNCTION	JR 0539	88-129-000-080	0E	C-JUMPER, 3216	HTNM	AV-D37
X	FUNCTION	JR 0540	88-118-000-080	0E	C-JUMPER, S	HCNM	AV-D37
X	FUNCTION	JR 0540	88-118-000-080	0E	C-JUMPER, S	HRJNM	AV-D37
X	FUNCTION	JR 0540	88-118-000-080	0E	C-JUMPER, S	HTNM	AV-D37
X	FUNCTION	JR 0541	88-129-000-080	0E	C-JUMPER, 3216	HCNM	AV-D37
X	FUNCTION	JR 0541	88-129-000-080	0E	C-JUMPER, 3216	HRJNM	AV-D37
X	FUNCTION	JR 0541	88-129-000-080	0E	C-JUMPER, 3216	HTNM	AV-D37
X	FUNCTION	JR 0542	88-118-000-080	0E	C-JUMPER, S	HCNM	AV-D37
X	FUNCTION	JR 0542	88-118-000-080	0E	C-JUMPER, S	HRJNM	AV-D37
X	FUNCTION	JR 0542	88-118-000-080	0E	C-JUMPER, S	HTNM	AV-D37
X	FUNCTION	JR 0543	88-118-000-080	0E	C-JUMPER, S	HCNM	AV-D37
X	FUNCTION	JR 0543	88-118-000-080	0E	C-JUMPER, S	HRJNM	AV-D37
X	FUNCTION	JR 0543	88-118-000-080	0E	C-JUMPER, S	HTNM	AV-D37
X	FUNCTION	JR 0544	88-129-000-080	0E	C-JUMPER, 3216	HCNM	AV-D37
X	FUNCTION	JR 0544	88-129-000-080	0E	C-JUMPER, 3216	HRJNM	AV-D37
X	FUNCTION	JR 0544	88-129-000-080	0E	C-JUMPER, 3216	HTNM	AV-D37
X	FUNCTION	JR 0553	88-118-000-080	0E	C-JUMPER, S	HCNM	AV-D37
X	FUNCTION	JR 0553	88-118-000-080	0E	C-JUMPER, S	HRJNM	AV-D37
X	FUNCTION	JR 0553	88-118-000-080	0E	C-JUMPER, S	HTNM	AV-D37
X	FUNCTION	JR 0554	88-118-000-080	0E	C-JUMPER, S	HCNM	AV-D37
X	FUNCTION	JR 0554	88-118-000-080	0E	C-JUMPER, S	HRJNM	AV-D37
X	FUNCTION	JR 0554	88-118-000-080	0E	C-JUMPER, S	HTNM	AV-D37
X	FUNCTION	JR 0555	88-118-000-080	0E	C-JUMPER, S	HCNM	AV-D37
X	FUNCTION	JR 0555	88-118-000-080	0E	C-JUMPER, S	HRJNM	AV-D37
X	FUNCTION	JR 0555	88-118-000-080	0E	C-JUMPER, S	HTNM	AV-D37
X	FUNCTION	JR 0556	88-118-000-080	0E	C-JUMPER, S	HCNM	AV-D37
X	FUNCTION	JR 0556	88-118-000-080	0E	C-JUMPER, S	HRJNM	AV-D37
X	FUNCTION	JR 0556	88-118-000-080	0E	C-JUMPER, S	HTNM	AV-D37
X	FUNCTION	JR 0557	88-118-000-080	0E	C-JUMPER, S	HCNM	AV-D37
X	FUNCTION	JR 0557	88-118-000-080	0E	C-JUMPER, S	HRJNM	AV-D37
X	FUNCTION	JR 0557	88-118-000-080	0E	C-JUMPER, S	HTNM	AV-D37
X	FUNCTION	JR 0560	88-118-000-080	0E	C-JUMPER, S	HCNM	AV-D37
X	FUNCTION	JR 0560	88-118-000-080	0E	C-JUMPER, S	HRJNM	AV-D37
X	FUNCTION	JR 0560	88-118-000-080	0E	C-JUMPER, S	HTNM	AV-D37
X	FUNCTION	JR 0561	88-118-000-080	0E	C-JUMPER, S	HCNM	AV-D37
X	FUNCTION	JR 0561	88-118-000-080	0E	C-JUMPER, S	HRJNM	AV-D37
X	FUNCTION	JR 0561	88-118-000-080	0E	C-JUMPER, S	HTNM	AV-D37
X	FUNCTION	JR 0562	88-118-000-080	0E	C-JUMPER, S	HCNM	AV-D37
X	FUNCTION	JR 0562	88-118-000-080	0E	C-JUMPER, S	HRJNM	AV-D37
X	FUNCTION	JR 0562	88-118-000-080	0E	C-JUMPER, S	HTNM	AV-D37
X	FUNCTION	JR 0563	88-118-000-080	0E	C-JUMPER, S	HCNM	AV-D37
X	FUNCTION	JR 0563	88-118-000-080	0E	C-JUMPER, S	HRJNM	AV-D37
X	FUNCTION	JR 0563	88-118-000-080	0E	C-JUMPER, S	HTNM	AV-D37
X	FUNCTION	JR 0564	88-129-000-080	0E	C-JUMPER, 3216	HCNM	AV-D37
X	FUNCTION	JR 0564	88-129-000-080	0E	C-JUMPER, 3216	HRJNM	AV-D37

# PARTS LIST

! =  $\Delta$  SAFTY PARTS  
 C = Components marked

All components used on this model at the production line are shown in this service manual.

However, please note that not all components will be available as spare parts for after-sales service.

Components marked S and O are designated as spare parts for service and will be stocked at the spare parts centers.

Components marked X and R are not designated as spare parts for after sales service, and will not be stocked at the spare parts centers.

K NO. = Only use japanese.

! C	UNIT NAME	REF NO.	PARTS CODE	K NO.	DESCRIPTION	SUFFIX	MODEL NAME
X	FUNCTION	JR 0564	88-129-000-080	0E	C-JUMPER, 3216	HTNM	AV-D37
X	FUNCTION	JR 0565	88-129-000-080	0E	C-JUMPER, 3216	HCNM	AV-D37
X	FUNCTION	JR 0565	88-129-000-080	0E	C-JUMPER, 3216	HRJNM	AV-D37
X	FUNCTION	JR 0565	88-129-000-080	0E	C-JUMPER, 3216	HTNM	AV-D37
X	FUNCTION	JR 0575	88-118-000-080	0E	C-JUMPER, S	HCNM	AV-D37
X	FUNCTION	JR 0575	88-118-000-080	0E	C-JUMPER, S	HRJNM	AV-D37
X	FUNCTION	JR 0575	88-118-000-080	0E	C-JUMPER, S	HTNM	AV-D37
X	FUNCTION	JR 0576	88-118-000-080	0E	C-JUMPER, S	HCNM	AV-D37
X	FUNCTION	JR 0576	88-118-000-080	0E	C-JUMPER, S	HRJNM	AV-D37
X	FUNCTION	JR 0576	88-118-000-080	0E	C-JUMPER, S	HTNM	AV-D37
X	FUNCTION	JR 0577	88-129-000-080	0E	C-JUMPER, 3216	HCNM	AV-D37
X	FUNCTION	JR 0577	88-129-000-080	0E	C-JUMPER, 3216	HRJNM	AV-D37
X	FUNCTION	JR 0577	88-129-000-080	0E	C-JUMPER, 3216	HTNM	AV-D37
X	FUNCTION	JR 0578	88-129-000-080	0E	C-JUMPER, 3216	HCNM	AV-D37
X	FUNCTION	JR 0578	88-129-000-080	0E	C-JUMPER, 3216	HRJNM	AV-D37
X	FUNCTION	JR 0578	88-129-000-080	0E	C-JUMPER, 3216	HTNM	AV-D37
X	FUNCTION	JR 0579	88-129-000-080	0E	C-JUMPER, 3216	HCNM	AV-D37
X	FUNCTION	JR 0579	88-129-000-080	0E	C-JUMPER, 3216	HRJNM	AV-D37
X	FUNCTION	JR 0579	88-129-000-080	0E	C-JUMPER, 3216	HTNM	AV-D37
X	FUNCTION	JR 0580	88-129-000-080	0E	C-JUMPER, 3216	HCNM	AV-D37
X	FUNCTION	JR 0580	88-129-000-080	0E	C-JUMPER, 3216	HRJNM	AV-D37
X	FUNCTION	JR 0583	88-129-000-080	0E	C-JUMPER, 3216	HCNM	AV-D37
X	FUNCTION	JR 0583	88-129-000-080	0E	C-JUMPER, 3216	HRJNM	AV-D37
X	FUNCTION	JR 0583	88-129-000-080	0E	C-JUMPER, 3216	HTNM	AV-D37
X	FUNCTION	JR 0584	88-118-000-080	0E	C-JUMPER, S	HCNM	AV-D37
X	FUNCTION	JR 0584	88-118-000-080	0E	C-JUMPER, S	HRJNM	AV-D37
X	FUNCTION	JR 0584	88-118-000-080	0E	C-JUMPER, S	HTNM	AV-D37
X	FUNCTION	JR 0585	88-129-000-080	0E	C-JUMPER, 3216	HCNM	AV-D37
X	FUNCTION	JR 0585	88-129-000-080	0E	C-JUMPER, 3216	HRJNM	AV-D37
X	FUNCTION	JR 0585	88-129-000-080	0E	C-JUMPER, 3216	HTNM	AV-D37
X	FUNCTION	JR 0586	88-129-000-080	0E	C-JUMPER, 3216	HCNM	AV-D37
X	FUNCTION	JR 0586	88-129-000-080	0E	C-JUMPER, 3216	HRJNM	AV-D37
X	FUNCTION	JR 0586	88-129-000-080	0E	C-JUMPER, 3216	HTNM	AV-D37
X	FUNCTION	JR 0588	88-118-000-080	0E	C-JUMPER, S	HCNM	AV-D37
X	FUNCTION	JR 0588	88-118-000-080	0E	C-JUMPER, S	HRJNM	AV-D37
X	FUNCTION	JR 0588	88-118-000-080	0E	C-JUMPER, S	HTNM	AV-D37
X	FUNCTION	JR 0589	88-118-000-080	0E	C-JUMPER, S	HCNM	AV-D37
X	FUNCTION	JR 0589	88-118-000-080	0E	C-JUMPER, S	HRJNM	AV-D37
X	FUNCTION	JR 0589	88-118-000-080	0E	C-JUMPER, S	HTNM	AV-D37
X	FUNCTION	JR 0593	88-129-000-080	0E	C-JUMPER, 3216	HCNM	AV-D37
X	FUNCTION	JR 0593	88-129-000-080	0E	C-JUMPER, 3216	HRJNM	AV-D37
X	FUNCTION	JR 0593	88-129-000-080	0E	C-JUMPER, 3216	HTNM	AV-D37
X	FUNCTION	JR 0638	88-118-000-080	0E	C-JUMPER, S	HCNM	AV-D37
X	FUNCTION	JR 0638	88-118-000-080	0E	C-JUMPER, S	HRJNM	AV-D37
X	FUNCTION	JR 0638	88-118-000-080	0E	C-JUMPER, S	HTNM	AV-D37
X	FUNCTION	JR 0639	88-118-000-080	0E	C-JUMPER, S	HCNM	AV-D37
X	FUNCTION	JR 0639	88-118-000-080	0E	C-JUMPER, S	HRJNM	AV-D37
X	FUNCTION	JR 0639	88-118-000-080	0E	C-JUMPER, S	HTNM	AV-D37
X	FUNCTION	JR 0705	88-118-000-080	0E	C-JUMPER, S	HCNM	AV-D37
X	FUNCTION	JR 0705	88-118-000-080	0E	C-JUMPER, S	HRJNM	AV-D37
X	FUNCTION	JR 0706	88-118-000-080	0E	C-JUMPER, S	HCNM	AV-D37
X	FUNCTION	JR 0706	88-118-000-080	0E	C-JUMPER, S	HRJNM	AV-D37
X	FUNCTION	JR 0706	88-118-000-080	0E	C-JUMPER, S	HTNM	AV-D37
X	FUNCTION	JR 0707	88-118-000-080	0E	C-JUMPER, S	HCNM	AV-D37
X	FUNCTION	JR 0707	88-118-000-080	0E	C-JUMPER, S	HRJNM	AV-D37
X	FUNCTION	JR 0707	88-118-000-080	0E	C-JUMPER, S	HTNM	AV-D37
X	FUNCTION	JR 0708	88-118-000-080	0E	C-JUMPER, S	HCNM	AV-D37
X	FUNCTION	JR 0708	88-118-000-080	0E	C-JUMPER, S	HRJNM	AV-D37
X	FUNCTION	JR 0708	88-118-000-080	0E	C-JUMPER, S	HTNM	AV-D37
X	FUNCTION	JR 0813	88-129-000-080	0E	C-JUMPER, 3216	HCNM	AV-D37
X	FUNCTION	JR 0813	88-129-000-080	0E	C-JUMPER, 3216	HRJNM	AV-D37
X	FUNCTION	JR 0813	88-129-000-080	0E	C-JUMPER, 3216	HTNM	AV-D37
X	FUNCTION	R 0501	88-118-330-080	0E	C-RES, S 33-1/10W J	HCNM	AV-D37
X	FUNCTION	R 0501	88-118-330-080	0E	C-RES, S 33-1/10W J	HRJNM	AV-D37
X	FUNCTION	R 0501	88-118-330-080	0E	C-RES, S 33-1/10W J	HTNM	AV-D37
X	FUNCTION	R 0502	88-118-330-080	0E	C-RES, S 33-1/10W J	HCNM	AV-D37
X	FUNCTION	R 0502	88-118-330-080	0E	C-RES, S 33-1/10W J	HRJNM	AV-D37
X	FUNCTION	R 0502	88-118-330-080	0E	C-RES, S 33-1/10W J	HTNM	AV-D37



# PARTS LIST

! =  $\Delta$  SAFTY PARTS  
 C = Components marked

All components used on this model at the production line are shown in this service manual.

However, please note that not all components will be available as spare parts for after-sales service.

Components marked S and O are designated as spare parts for service and will be stocked at the spare parts centers.

Components marked X and R are not designated as spare parts for after sales service, and will not be stocked at the spare parts centers.

K NO. = Only use japanese.

! C	UNIT NAME	REF NO.	PARTS CODE	K NO.	DESCRIPTION	SUFFIX	MODEL NAME
X	FUNCTION	R 0503	88-118-104-080	0E	C-RES,S 100K-1/10W J	HCNM	AV-D37
X	FUNCTION	R 0503	88-118-104-080	0E	C-RES,S 100K-1/10W J	HRJNM	AV-D37
X	FUNCTION	R 0503	88-118-104-080	0E	C-RES,S 100K-1/10W J	HTNM	AV-D37
X	FUNCTION	R 0504	88-118-104-080	0E	C-RES,S 100K-1/10W J	HCNM	AV-D37
X	FUNCTION	R 0504	88-118-104-080	0E	C-RES,S 100K-1/10W J	HRJNM	AV-D37
X	FUNCTION	R 0504	88-118-104-080	0E	C-RES,S 100K-1/10W J	HTNM	AV-D37
X	FUNCTION	R 0505	88-118-104-080	0E	C-RES,S 100K-1/10W J	HCNM	AV-D37
X	FUNCTION	R 0505	88-118-104-080	0E	C-RES,S 100K-1/10W J	HRJNM	AV-D37
X	FUNCTION	R 0505	88-118-104-080	0E	C-RES,S 100K-1/10W J	HTNM	AV-D37
X	FUNCTION	R 0506	88-118-104-080	0E	C-RES,S 100K-1/10W J	HCNM	AV-D37
X	FUNCTION	R 0506	88-118-104-080	0E	C-RES,S 100K-1/10W J	HRJNM	AV-D37
X	FUNCTION	R 0506	88-118-104-080	0E	C-RES,S 100K-1/10W J	HTNM	AV-D37
X	FUNCTION	R 0507	88-118-101-080	0E	C-RES,S 100-1/10W J	HCNM	AV-D37
X	FUNCTION	R 0507	88-118-101-080	0E	C-RES,S 100-1/10W J	HRJNM	AV-D37
X	FUNCTION	R 0507	88-118-101-080	0E	C-RES,S 100-1/10W J	HTNM	AV-D37
X	FUNCTION	R 0508	88-118-101-080	0E	C-RES,S 100-1/10W J	HCNM	AV-D37
X	FUNCTION	R 0508	88-118-101-080	0E	C-RES,S 100-1/10W J	HRJNM	AV-D37
X	FUNCTION	R 0508	88-118-101-080	0E	C-RES,S 100-1/10W J	HTNM	AV-D37
X	FUNCTION	R 0509	88-118-473-080	0E	C-RES,S 47K-1/10W J	HCNM	AV-D37
X	FUNCTION	R 0509	88-118-473-080	0E	C-RES,S 47K-1/10W J	HRJNM	AV-D37
X	FUNCTION	R 0509	88-118-473-080	0E	C-RES,S 47K-1/10W J	HTNM	AV-D37
X	FUNCTION	R 0510	88-118-473-080	0E	C-RES,S 47K-1/10W J	HCNM	AV-D37
X	FUNCTION	R 0510	88-118-473-080	0E	C-RES,S 47K-1/10W J	HRJNM	AV-D37
X	FUNCTION	R 0510	88-118-473-080	0E	C-RES,S 47K-1/10W J	HTNM	AV-D37
X	FUNCTION	R 0511	88-118-392-080	0E	C-RES,S 3.9K-1/10W J	HCNM	AV-D37
X	FUNCTION	R 0511	88-118-392-080	0E	C-RES,S 3.9K-1/10W J	HRJNM	AV-D37
X	FUNCTION	R 0511	88-118-392-080	0E	C-RES,S 3.9K-1/10W J	HTNM	AV-D37
X	FUNCTION	R 0512	88-118-392-080	0E	C-RES,S 3.9K-1/10W J	HCNM	AV-D37
X	FUNCTION	R 0512	88-118-392-080	0E	C-RES,S 3.9K-1/10W J	HRJNM	AV-D37
X	FUNCTION	R 0512	88-118-392-080	0E	C-RES,S 3.9K-1/10W J	HTNM	AV-D37
X	FUNCTION	R 0513	88-118-101-080	0E	C-RES,S 100-1/10W J	HCNM	AV-D37
X	FUNCTION	R 0513	88-118-101-080	0E	C-RES,S 100-1/10W J	HRJNM	AV-D37
X	FUNCTION	R 0513	88-118-101-080	0E	C-RES,S 100-1/10W J	HTNM	AV-D37
X	FUNCTION	R 0514	88-118-101-080	0E	C-RES,S 100-1/10W J	HCNM	AV-D37
X	FUNCTION	R 0514	88-118-101-080	0E	C-RES,S 100-1/10W J	HRJNM	AV-D37
X	FUNCTION	R 0514	88-118-101-080	0E	C-RES,S 100-1/10W J	HTNM	AV-D37
X	FUNCTION	R 0515	88-128-221-080	0E	C-RES, 220-1/8W J	HCNM	AV-D37
X	FUNCTION	R 0515	88-128-221-080	0E	C-RES, 220-1/8W J	HRJNM	AV-D37
X	FUNCTION	R 0515	88-128-221-080	0E	C-RES, 220-1/8W J	HTNM	AV-D37
X	FUNCTION	R 0516	88-128-221-080	0E	C-RES, 220-1/8W J	HCNM	AV-D37
X	FUNCTION	R 0516	88-128-221-080	0E	C-RES, 220-1/8W J	HRJNM	AV-D37
X	FUNCTION	R 0516	88-128-221-080	0E	C-RES, 220-1/8W J	HTNM	AV-D37
X	FUNCTION	R 0517	88-118-101-080	0E	C-RES,S 100-1/10W J	HCNM	AV-D37
X	FUNCTION	R 0517	88-118-101-080	0E	C-RES,S 100-1/10W J	HRJNM	AV-D37
X	FUNCTION	R 0517	88-118-101-080	0E	C-RES,S 100-1/10W J	HTNM	AV-D37
X	FUNCTION	R 0518	88-118-101-080	0E	C-RES,S 100-1/10W J	HCNM	AV-D37
X	FUNCTION	R 0518	88-118-101-080	0E	C-RES,S 100-1/10W J	HRJNM	AV-D37
X	FUNCTION	R 0518	88-118-101-080	0E	C-RES,S 100-1/10W J	HTNM	AV-D37
X	FUNCTION	R 0519	88-118-332-080	0E	C-RES,S 3.3K-1/10W J	HCNM	AV-D37
X	FUNCTION	R 0519	88-118-332-080	0E	C-RES,S 3.3K-1/10W J	HRJNM	AV-D37
X	FUNCTION	R 0519	88-118-332-080	0E	C-RES,S 3.3K-1/10W J	HTNM	AV-D37
X	FUNCTION	R 0520	88-118-332-080	0E	C-RES,S 3.3K-1/10W J	HCNM	AV-D37
X	FUNCTION	R 0520	88-118-332-080	0E	C-RES,S 3.3K-1/10W J	HRJNM	AV-D37
X	FUNCTION	R 0520	88-118-332-080	0E	C-RES,S 3.3K-1/10W J	HTNM	AV-D37
X	FUNCTION	R 0521	88-118-000-080	0E	C-JUMPER,S	HCNM	AV-D37
X	FUNCTION	R 0521	88-118-000-080	0E	C-JUMPER,S	HRJNM	AV-D37
X	FUNCTION	R 0521	88-118-000-080	0E	C-JUMPER,S	HTNM	AV-D37
X	FUNCTION	R 0522	88-118-000-080	0E	C-JUMPER,S	HCNM	AV-D37
X	FUNCTION	R 0522	88-118-000-080	0E	C-JUMPER,S	HRJNM	AV-D37
X	FUNCTION	R 0522	88-118-000-080	0E	C-JUMPER,S	HTNM	AV-D37
X	FUNCTION	R 0523	88-118-823-080	0E	C-RES,S 82K-1/10W J	HCNM	AV-D37
X	FUNCTION	R 0523	88-118-823-080	0E	C-RES,S 82K-1/10W J	HRJNM	AV-D37
X	FUNCTION	R 0523	88-118-823-080	0E	C-RES,S 82K-1/10W J	HTNM	AV-D37
X	FUNCTION	R 0524	88-118-823-080	0E	C-RES,S 82K-1/10W J	HCNM	AV-D37
X	FUNCTION	R 0524	88-118-823-080	0E	C-RES,S 82K-1/10W J	HRJNM	AV-D37
X	FUNCTION	R 0524	88-118-823-080	0E	C-RES,S 82K-1/10W J	HTNM	AV-D37
X	FUNCTION	R 0529	88-118-103-080	0E	C-RES,S 10K-1/10W J	HCNM	AV-D37
X	FUNCTION	R 0529	88-118-103-080	0E	C-RES,S 10K-1/10W J	HRJNM	AV-D37
X	FUNCTION	R 0529	88-118-103-080	0E	C-RES,S 10K-1/10W J	HTNM	AV-D37
X	FUNCTION	R 0530	88-118-103-080	0E	C-RES,S 10K-1/10W J	HCNM	AV-D37

# PARTS LIST

! =  $\Delta$  SAFTY PARTS  
 C = Components marked

All components used on this model at the production line are shown in this service manual.

However, please note that not all components will be available as spare parts for after-sales service.

Components marked S and O are designated as spare parts for service and will be stocked at the spare parts centers.

Components marked X and R are not designated as spare parts for after sales service, and will not be stocked at the spare parts centers.

K NO. = Only use japanese.

! C	UNIT NAME	REF NO.	PARTS CODE	K NO.	DESCRIPTION	SUFFIX	MODEL NAME
X	FUNCTION	R 0530	88-118-103-080	0E	C-RES,S 10K-1/10W J	HRJNM	AV-D37
X	FUNCTION	R 0530	88-118-103-080	0E	C-RES,S 10K-1/10W J	HTNM	AV-D37
X	FUNCTION	R 0531	88-118-183-080	0E	C-RES,S 18K-1/10W J	HCNM	AV-D37
X	FUNCTION	R 0531	88-118-183-080	0E	C-RES,S 18K-1/10W J	HRJNM	AV-D37
X	FUNCTION	R 0531	88-118-183-080	0E	C-RES,S 18K-1/10W J	HTNM	AV-D37
X	FUNCTION	R 0532	88-118-183-080	0E	C-RES,S 18K-1/10W J	HCNM	AV-D37
X	FUNCTION	R 0532	88-118-183-080	0E	C-RES,S 18K-1/10W J	HRJNM	AV-D37
X	FUNCTION	R 0532	88-118-183-080	0E	C-RES,S 18K-1/10W J	HTNM	AV-D37
X	FUNCTION	R 0533	88-118-153-080	0E	C-RES,S 15K-1/10W J	HCNM	AV-D37
X	FUNCTION	R 0533	88-118-153-080	0E	C-RES,S 15K-1/10W J	HRJNM	AV-D37
X	FUNCTION	R 0533	88-118-153-080	0E	C-RES,S 15K-1/10W J	HTNM	AV-D37
X	FUNCTION	R 0533	88-118-153-080	0E	C-RES,S 15K-1/10W J	HRJNM	AV-D37
X	FUNCTION	R 0534	88-118-153-080	0E	C-RES,S 15K-1/10W J	HTNM	AV-D37
X	FUNCTION	R 0534	88-118-153-080	0E	C-RES,S 15K-1/10W J	HCNM	AV-D37
X	FUNCTION	R 0534	88-118-153-080	0E	C-RES,S 15K-1/10W J	HRJNM	AV-D37
X	FUNCTION	R 0534	88-118-153-080	0E	C-RES,S 15K-1/10W J	HTNM	AV-D37
X	FUNCTION	R 0535	88-121-392-080	0E	RES,3.9K-1/8W J	HCNM	AV-D37
X	FUNCTION	R 0535	88-121-392-080	0E	RES,3.9K-1/8W J	HRJNM	AV-D37
X	FUNCTION	R 0535	88-121-392-080	0E	RES,3.9K-1/8W J	HTNM	AV-D37
X	FUNCTION	R 0535	88-121-392-080	0E	RES,3.9K-1/8W J	HRJNM	AV-D37
X	FUNCTION	R 0536	88-128-562-080	0E	C-RES, 5.6K-1/8W J	HCNM	AV-D37
X	FUNCTION	R 0536	88-128-562-080	0E	C-RES, 5.6K-1/8W J	HRJNM	AV-D37
X	FUNCTION	R 0536	88-128-562-080	0E	C-RES, 5.6K-1/8W J	HTNM	AV-D37
X	FUNCTION	R 0536	88-128-562-080	0E	C-RES, 5.6K-1/8W J	HRJNM	AV-D37
X	FUNCTION	R 0537	88-118-223-080	0E	C-RES,S 22K-1/10W J	HCNM	AV-D37
X	FUNCTION	R 0537	88-118-223-080	0E	C-RES,S 22K-1/10W J	HRJNM	AV-D37
X	FUNCTION	R 0537	88-118-223-080	0E	C-RES,S 22K-1/10W J	HTNM	AV-D37
X	FUNCTION	R 0538	88-118-223-080	0E	C-RES,S 22K-1/10W J	HCNM	AV-D37
X	FUNCTION	R 0538	88-118-223-080	0E	C-RES,S 22K-1/10W J	HRJNM	AV-D37
X	FUNCTION	R 0538	88-118-223-080	0E	C-RES,S 22K-1/10W J	HTNM	AV-D37
X	FUNCTION	R 0539	88-118-822-080	0E	C-RES,S 8.2K-1/10W J	HCNM	AV-D37
X	FUNCTION	R 0539	88-118-822-080	0E	C-RES,S 8.2K-1/10W J	HRJNM	AV-D37
X	FUNCTION	R 0539	88-118-822-080	0E	C-RES,S 8.2K-1/10W J	HTNM	AV-D37
X	FUNCTION	R 0540	88-118-822-080	0E	C-RES,S 8.2K-1/10W J	HRJNM	AV-D37
X	FUNCTION	R 0540	88-118-822-080	0E	C-RES,S 8.2K-1/10W J	HTNM	AV-D37
X	FUNCTION	R 0540	88-118-822-080	0E	C-RES,S 8.2K-1/10W J	HRJNM	AV-D37
X	FUNCTION	R 0541	88-118-273-080	0E	C-RES,S 27K-1/10W J	HCNM	AV-D37
X	FUNCTION	R 0541	88-118-273-080	0E	C-RES,S 27K-1/10W J	HRJNM	AV-D37
X	FUNCTION	R 0541	88-118-273-080	0E	C-RES,S 27K-1/10W J	HTNM	AV-D37
X	FUNCTION	R 0541	88-118-273-080	0E	C-RES,S 27K-1/10W J	HRJNM	AV-D37
X	FUNCTION	R 0542	88-118-273-080	0E	C-RES,S 27K-1/10W J	HCNM	AV-D37
X	FUNCTION	R 0542	88-118-273-080	0E	C-RES,S 27K-1/10W J	HRJNM	AV-D37
X	FUNCTION	R 0542	88-118-273-080	0E	C-RES,S 27K-1/10W J	HTNM	AV-D37
X	FUNCTION	R 0542	88-118-273-080	0E	C-RES,S 27K-1/10W J	HRJNM	AV-D37
X	FUNCTION	R 0543	88-118-103-080	0E	C-RES,S 10K-1/10W J	HCNM	AV-D37
X	FUNCTION	R 0543	88-118-103-080	0E	C-RES,S 10K-1/10W J	HRJNM	AV-D37
X	FUNCTION	R 0543	88-118-103-080	0E	C-RES,S 10K-1/10W J	HTNM	AV-D37
X	FUNCTION	R 0543	88-118-103-080	0E	C-RES,S 10K-1/10W J	HRJNM	AV-D37
X	FUNCTION	R 0544	88-118-103-080	0E	C-RES,S 10K-1/10W J	HCNM	AV-D37
X	FUNCTION	R 0544	88-118-103-080	0E	C-RES,S 10K-1/10W J	HRJNM	AV-D37
X	FUNCTION	R 0544	88-118-103-080	0E	C-RES,S 10K-1/10W J	HTNM	AV-D37
X	FUNCTION	R 0544	88-118-103-080	0E	C-RES,S 10K-1/10W J	HRJNM	AV-D37
X	FUNCTION	R 0545	88-118-473-080	0E	C-RES,S 47K-1/10W J	HCNM	AV-D37
X	FUNCTION	R 0545	88-118-473-080	0E	C-RES,S 47K-1/10W J	HRJNM	AV-D37
X	FUNCTION	R 0545	88-118-473-080	0E	C-RES,S 47K-1/10W J	HTNM	AV-D37
X	FUNCTION	R 0545	88-118-473-080	0E	C-RES,S 47K-1/10W J	HRJNM	AV-D37
X	FUNCTION	R 0546	88-118-473-080	0E	C-RES,S 47K-1/10W J	HCNM	AV-D37
X	FUNCTION	R 0546	88-118-473-080	0E	C-RES,S 47K-1/10W J	HRJNM	AV-D37
X	FUNCTION	R 0546	88-118-473-080	0E	C-RES,S 47K-1/10W J	HTNM	AV-D37
X	FUNCTION	R 0546	88-118-473-080	0E	C-RES,S 47K-1/10W J	HRJNM	AV-D37
X	FUNCTION	R 0547	88-118-392-080	0E	C-RES,S 3.9K-1/10W J	HCNM	AV-D37
X	FUNCTION	R 0547	88-118-392-080	0E	C-RES,S 3.9K-1/10W J	HRJNM	AV-D37
X	FUNCTION	R 0547	88-118-392-080	0E	C-RES,S 3.9K-1/10W J	HTNM	AV-D37
X	FUNCTION	R 0548	88-118-392-080	0E	C-RES,S 3.9K-1/10W J	HCNM	AV-D37
X	FUNCTION	R 0548	88-118-392-080	0E	C-RES,S 3.9K-1/10W J	HRJNM	AV-D37
X	FUNCTION	R 0548	88-118-392-080	0E	C-RES,S 3.9K-1/10W J	HTNM	AV-D37
X	FUNCTION	R 0549	88-118-000-080	0E	C-JUMPER,S	HCNM	AV-D37
X	FUNCTION	R 0549	88-118-000-080	0E	C-JUMPER,S	HRJNM	AV-D37
X	FUNCTION	R 0549	88-118-000-080	0E	C-JUMPER,S	HTNM	AV-D37
X	FUNCTION	R 0549	88-118-000-080	0E	C-JUMPER,S	HRJNM	AV-D37
X	FUNCTION	R 0550	88-118-473-080	0E	C-RES,S 47K-1/10W J	HCNM	AV-D37
X	FUNCTION	R 0550	88-118-473-080	0E	C-RES,S 47K-1/10W J	HRJNM	AV-D37
X	FUNCTION	R 0550	88-118-473-080	0E	C-RES,S 47K-1/10W J	HTNM	AV-D37
X	FUNCTION	R 0551	88-118-472-080	0E	C-RES,S 4.7K-1/10W J	HCNM	AV-D37
X	FUNCTION	R 0551	88-118-472-080	0E	C-RES,S 4.7K-1/10W J	HRJNM	AV-D37
X	FUNCTION	R 0551	88-118-472-080	0E	C-RES,S 4.7K-1/10W J	HTNM	AV-D37
X	FUNCTION	R 0551	88-118-472-080	0E	C-RES,S 4.7K-1/10W J	HRJNM	AV-D37
X	FUNCTION	R 0552	88-118-472-080	0E	C-RES,S 4.7K-1/10W J	HCNM	AV-D37
X	FUNCTION	R 0552	88-118-472-080	0E	C-RES,S 4.7K-1/10W J	HRJNM	AV-D37
X	FUNCTION	R 0552	88-118-472-080	0E	C-RES,S 4.7K-1/10W J	HTNM	AV-D37
X	FUNCTION	R 0552	88-118-472-080	0E	C-RES,S 4.7K-1/10W J	HRJNM	AV-D37
X	FUNCTION	R 0553	88-118-473-080	0E	C-RES,S 47K-1/10W J	HCNM	AV-D37
X	FUNCTION	R 0553	88-118-473-080	0E	C-RES,S 47K-1/10W J	HRJNM	AV-D37
X	FUNCTION	R 0553	88-118-473-080	0E	C-RES,S 47K-1/10W J	HTNM	AV-D37
X	FUNCTION	R 0553	88-118-473-080	0E	C-RES,S 47K-1/10W J	HRJNM	AV-D37

# PARTS LIST

! =  $\Delta$  SAFTY PARTS  
 C = Components marked

All components used on this model at the production line are shown in this service manual.

However, please note that not all components will be available as spare parts for after-sales service.

Components marked S and O are designated as spare parts for service and will be stocked at the spare parts centers.

Components marked X and R are not designated as spare parts for after sales service, and will not be stocked at the spare parts centers.

K NO. = Only use japanese.

! C	UNIT NAME	REF NO.	PARTS CODE	K NO.	DESCRIPTION	SUFFIX	MODEL NAME
X	FUNCTION	R 0553	88-118-473-080	0E	C-RES,S 47K-1/10W J	HTNM	AV-D37
X	FUNCTION	R 0554	88-118-473-080	0E	C-RES,S 47K-1/10W J	HCNM	AV-D37
X	FUNCTION	R 0554	88-118-473-080	0E	C-RES,S 47K-1/10W J	HRJNM	AV-D37
X	FUNCTION	R 0554	88-118-473-080	0E	C-RES,S 47K-1/10W J	HTNM	AV-D37
X	FUNCTION	R 0555	88-118-392-080	0E	C-RES,S 3.9K-1/10W J	HCNM	AV-D37
X	FUNCTION	R 0555	88-118-392-080	0E	C-RES,S 3.9K-1/10W J	HRJNM	AV-D37
X	FUNCTION	R 0555	88-118-392-080	0E	C-RES,S 3.9K-1/10W J	HTNM	AV-D37
X	FUNCTION	R 0556	88-118-392-080	0E	C-RES,S 3.9K-1/10W J	HCNM	AV-D37
X	FUNCTION	R 0556	88-118-392-080	0E	C-RES,S 3.9K-1/10W J	HRJNM	AV-D37
X	FUNCTION	R 0556	88-118-392-080	0E	C-RES,S 3.9K-1/10W J	HTNM	AV-D37
X	FUNCTION	R 0557	88-118-562-080	0E	C-RES,S 5.6K-1/10W J	HCNM	AV-D37
X	FUNCTION	R 0557	88-118-562-080	0E	C-RES,S 5.6K-1/10W J	HRJNM	AV-D37
X	FUNCTION	R 0557	88-118-562-080	0E	C-RES,S 5.6K-1/10W J	HTNM	AV-D37
X	FUNCTION	R 0558	88-118-562-080	0E	C-RES,S 5.6K-1/10W J	HCNM	AV-D37
X	FUNCTION	R 0558	88-118-562-080	0E	C-RES,S 5.6K-1/10W J	HRJNM	AV-D37
X	FUNCTION	R 0558	88-118-562-080	0E	C-RES,S 5.6K-1/10W J	HTNM	AV-D37
X	FUNCTION	R 0559	88-118-184-080	0E	C-RES,S 180K-1/10W J	HCNM	AV-D37
X	FUNCTION	R 0559	88-118-184-080	0E	C-RES,S 180K-1/10W J	HRJNM	AV-D37
X	FUNCTION	R 0559	88-118-184-080	0E	C-RES,S 180K-1/10W J	HTNM	AV-D37
X	FUNCTION	R 0560	88-118-184-080	0E	C-RES,S 180K-1/10W J	HCNM	AV-D37
X	FUNCTION	R 0560	88-118-184-080	0E	C-RES,S 180K-1/10W J	HRJNM	AV-D37
X	FUNCTION	R 0561	88-121-102-080	0E	RES,1K-1/8W J	HCNM	AV-D37
X	FUNCTION	R 0561	88-121-102-080	0E	RES,1K-1/8W J	HRJNM	AV-D37
X	FUNCTION	R 0561	88-121-102-080	0E	RES,1K-1/8W J	HTNM	AV-D37
X	FUNCTION	R 0562	88-118-102-080	0E	C-RES,S 1K-1/10W J	HCNM	AV-D37
X	FUNCTION	R 0562	88-118-102-080	0E	C-RES,S 1K-1/10W J	HRJNM	AV-D37
X	FUNCTION	R 0562	88-118-102-080	0E	C-RES,S 1K-1/10W J	HTNM	AV-D37
X	FUNCTION	R 0563	88-121-102-080	0E	RES,1K-1/8W J	HCNM	AV-D37
X	FUNCTION	R 0563	88-121-102-080	0E	RES,1K-1/8W J	HRJNM	AV-D37
X	FUNCTION	R 0563	88-121-102-080	0E	RES,1K-1/8W J	HTNM	AV-D37
X	FUNCTION	R 0564	88-118-102-080	0E	C-RES,S 1K-1/10W J	HCNM	AV-D37
X	FUNCTION	R 0564	88-118-102-080	0E	C-RES,S 1K-1/10W J	HRJNM	AV-D37
X	FUNCTION	R 0564	88-118-102-080	0E	C-RES,S 1K-1/10W J	HTNM	AV-D37
X	FUNCTION	R 0565	88-121-102-080	0E	RES,1K-1/8W J	HCNM	AV-D37
X	FUNCTION	R 0565	88-121-102-080	0E	RES,1K-1/8W J	HRJNM	AV-D37
X	FUNCTION	R 0565	88-121-102-080	0E	RES,1K-1/8W J	HTNM	AV-D37
X	FUNCTION	R 0566	88-118-102-080	0E	C-RES,S 1K-1/10W J	HCNM	AV-D37
X	FUNCTION	R 0566	88-118-102-080	0E	C-RES,S 1K-1/10W J	HRJNM	AV-D37
X	FUNCTION	R 0566	88-118-102-080	0E	C-RES,S 1K-1/10W J	HTNM	AV-D37
X	FUNCTION	R 0567	88-118-103-080	0E	C-RES,S 10K-1/10W J	HCNM	AV-D37
X	FUNCTION	R 0567	88-118-103-080	0E	C-RES,S 10K-1/10W J	HRJNM	AV-D37
X	FUNCTION	R 0567	88-118-103-080	0E	C-RES,S 10K-1/10W J	HTNM	AV-D37
X	FUNCTION	R 0568	88-118-103-080	0E	C-RES,S 10K-1/10W J	HCNM	AV-D37
X	FUNCTION	R 0568	88-118-103-080	0E	C-RES,S 10K-1/10W J	HRJNM	AV-D37
X	FUNCTION	R 0568	88-118-103-080	0E	C-RES,S 10K-1/10W J	HTNM	AV-D37
X	FUNCTION	R 0569	88-118-102-080	0E	C-RES,S 1K-1/10W J	HCNM	AV-D37
X	FUNCTION	R 0569	88-118-102-080	0E	C-RES,S 1K-1/10W J	HRJNM	AV-D37
X	FUNCTION	R 0569	88-118-102-080	0E	C-RES,S 1K-1/10W J	HTNM	AV-D37
X	FUNCTION	R 0570	88-118-102-080	0E	C-RES,S 1K-1/10W J	HCNM	AV-D37
X	FUNCTION	R 0570	88-118-102-080	0E	C-RES,S 1K-1/10W J	HRJNM	AV-D37
X	FUNCTION	R 0570	88-118-102-080	0E	C-RES,S 1K-1/10W J	HTNM	AV-D37
X	FUNCTION	R 0571	88-118-103-080	0E	C-RES,S 10K-1/10W J	HCNM	AV-D37
X	FUNCTION	R 0571	88-118-103-080	0E	C-RES,S 10K-1/10W J	HRJNM	AV-D37
X	FUNCTION	R 0571	88-118-103-080	0E	C-RES,S 10K-1/10W J	HTNM	AV-D37
X	FUNCTION	R 0572	88-118-103-080	0E	C-RES,S 10K-1/10W J	HCNM	AV-D37
X	FUNCTION	R 0572	88-118-103-080	0E	C-RES,S 10K-1/10W J	HRJNM	AV-D37
X	FUNCTION	R 0572	88-118-103-080	0E	C-RES,S 10K-1/10W J	HTNM	AV-D37
X	FUNCTION	R 0573	88-118-102-080	0E	C-RES,S 1K-1/10W J	HCNM	AV-D37
X	FUNCTION	R 0573	88-118-102-080	0E	C-RES,S 1K-1/10W J	HRJNM	AV-D37
X	FUNCTION	R 0573	88-118-102-080	0E	C-RES,S 1K-1/10W J	HTNM	AV-D37
X	FUNCTION	R 0574	88-118-103-080	0E	C-RES,S 10K-1/10W J	HCNM	AV-D37
X	FUNCTION	R 0574	88-118-103-080	0E	C-RES,S 10K-1/10W J	HRJNM	AV-D37
X	FUNCTION	R 0574	88-118-103-080	0E	C-RES,S 10K-1/10W J	HTNM	AV-D37
X	FUNCTION	R 0575	88-118-473-080	0E	C-RES,S 47K-1/10W J	HCNM	AV-D37
X	FUNCTION	R 0575	88-118-473-080	0E	C-RES,S 47K-1/10W J	HRJNM	AV-D37
X	FUNCTION	R 0575	88-118-473-080	0E	C-RES,S 47K-1/10W J	HTNM	AV-D37
X	FUNCTION	R 0576	88-118-473-080	0E	C-RES,S 47K-1/10W J	HCNM	AV-D37
X	FUNCTION	R 0576	88-118-473-080	0E	C-RES,S 47K-1/10W J	HRJNM	AV-D37
X	FUNCTION	R 0576	88-118-473-080	0E	C-RES,S 47K-1/10W J	HTNM	AV-D37

# PARTS LIST

! =  $\Delta$  SAFTY PARTS  
 C = Components marked

All components used on this model at the production line are shown in this service manual.

However, please note that not all components will be available as spare parts for after-sales service.

Components marked S and O are designated as spare parts for service and will be stocked at the spare parts centers.

Components marked X and R are not designated as spare parts for after sales service, and will not be stocked at the spare parts centers.

K NO. = Only use japanese.

! C	UNIT NAME	REF NO.	PARTS CODE	K NO.	DESCRIPTION	SUFFIX	MODEL NAME
X	FUNCTION	R 0577	88-128-470-080	0E	C-RES, 47-1/8W J	HCNM	AV-D37
X	FUNCTION	R 0577	88-128-470-080	0E	C-RES, 47-1/8W J	HRJNM	AV-D37
X	FUNCTION	R 0577	88-128-470-080	0E	C-RES, 47-1/8W J	HTNM	AV-D37
X	FUNCTION	R 0578	88-129-000-080	0E	C-JUMPER, 3216	HCNM	AV-D37
X	FUNCTION	R 0578	88-129-000-080	0E	C-JUMPER, 3216	HRJNM	AV-D37
X	FUNCTION	R 0578	88-129-000-080	0E	C-JUMPER, 3216	HTNM	AV-D37
X	FUNCTION	R 0579	88-128-560-080	0E	C-RES, 56-1/8W J	HCNM	AV-D37
X	FUNCTION	R 0579	88-128-560-080	0E	C-RES, 56-1/8W J	HRJNM	AV-D37
X	FUNCTION	R 0579	88-128-560-080	0E	C-RES, 56-1/8W J	HTNM	AV-D37
X	FUNCTION	R 0580	88-118-822-080	0E	C-RES, S 8.2K-1/10W J	HCNM	AV-D37
X	FUNCTION	R 0580	88-118-822-080	0E	C-RES, S 8.2K-1/10W J	HRJNM	AV-D37
X	FUNCTION	R 0580	88-118-822-080	0E	C-RES, S 8.2K-1/10W J	HTNM	AV-D37
X	FUNCTION	R 0581	88-118-822-080	0E	C-RES, S 8.2K-1/10W J	HCNM	AV-D37
X	FUNCTION	R 0581	88-118-822-080	0E	C-RES, S 8.2K-1/10W J	HRJNM	AV-D37
X	FUNCTION	R 0581	88-118-822-080	0E	C-RES, S 8.2K-1/10W J	HTNM	AV-D37
X	FUNCTION	R 0582	88-128-680-080	0E	C-RES, 68-1/8W J	HCNM	AV-D37
X	FUNCTION	R 0582	88-128-680-080	0E	C-RES, 68-1/8W J	HRJNM	AV-D37
X	FUNCTION	R 0582	88-128-680-080	0E	C-RES, 68-1/8W J	HTNM	AV-D37
X	FUNCTION	R 0583	88-128-680-080	0E	C-RES, 68-1/8W J	HCNM	AV-D37
X	FUNCTION	R 0583	88-128-680-080	0E	C-RES, 68-1/8W J	HRJNM	AV-D37
X	FUNCTION	R 0583	88-128-680-080	0E	C-RES, 68-1/8W J	HTNM	AV-D37
X	FUNCTION	R 0584	88-128-680-080	0E	C-RES, 68-1/8W J	HCNM	AV-D37
X	FUNCTION	R 0584	88-128-680-080	0E	C-RES, 68-1/8W J	HRJNM	AV-D37
X	FUNCTION	R 0584	88-128-680-080	0E	C-RES, 68-1/8W J	HTNM	AV-D37
X	FUNCTION	R 0585	88-128-180-080	0E	C-RES, 18-1/8W J	HCNM	AV-D37
X	FUNCTION	R 0585	88-128-180-080	0E	C-RES, 18-1/8W J	HRJNM	AV-D37
X	FUNCTION	R 0585	88-128-180-080	0E	C-RES, 18-1/8W J	HTNM	AV-D37
X	FUNCTION	R 0586	88-128-680-080	0E	C-RES, 68-1/8W J	HCNM	AV-D37
X	FUNCTION	R 0586	88-128-680-080	0E	C-RES, 68-1/8W J	HRJNM	AV-D37
X	FUNCTION	R 0586	88-128-680-080	0E	C-RES, 68-1/8W J	HTNM	AV-D37
X	FUNCTION	R 0587	88-121-680-080	0E	RES, 68-1/8W J	HCNM	AV-D37
X	FUNCTION	R 0587	88-121-680-080	0E	RES, 68-1/8W J	HRJNM	AV-D37
X	FUNCTION	R 0587	88-121-680-080	0E	RES, 68-1/8W J	HTNM	AV-D37
X	FUNCTION	R 0588	88-128-680-080	0E	C-RES, 68-1/8W J	HCNM	AV-D37
X	FUNCTION	R 0588	88-128-680-080	0E	C-RES, 68-1/8W J	HRJNM	AV-D37
X	FUNCTION	R 0588	88-128-680-080	0E	C-RES, 68-1/8W J	HTNM	AV-D37
X	FUNCTION	R 0591	88-118-103-080	0E	C-RES, S 10K-1/10W J	HCNM	AV-D37
X	FUNCTION	R 0591	88-118-103-080	0E	C-RES, S 10K-1/10W J	HRJNM	AV-D37
X	FUNCTION	R 0591	88-118-103-080	0E	C-RES, S 10K-1/10W J	HTNM	AV-D37
X	FUNCTION	R 0592	88-128-560-080	0E	C-RES, 56-1/8W J	HCNM	AV-D37
X	FUNCTION	R 0592	88-128-560-080	0E	C-RES, 56-1/8W J	HRJNM	AV-D37
X	FUNCTION	R 0592	88-128-560-080	0E	C-RES, 56-1/8W J	HTNM	AV-D37
X	FUNCTION	R 0593	88-118-102-080	0E	C-RES, S 1K-1/10W J	HCNM	AV-D37
X	FUNCTION	R 0593	88-118-102-080	0E	C-RES, S 1K-1/10W J	HRJNM	AV-D37
X	FUNCTION	R 0593	88-118-102-080	0E	C-RES, S 1K-1/10W J	HTNM	AV-D37
X	FUNCTION	R 0594	88-118-102-080	0E	C-RES, S 1K-1/10W J	HCNM	AV-D37
X	FUNCTION	R 0594	88-118-102-080	0E	C-RES, S 1K-1/10W J	HRJNM	AV-D37
X	FUNCTION	R 0594	88-118-102-080	0E	C-RES, S 1K-1/10W J	HTNM	AV-D37
X	FUNCTION	R 0595	88-118-124-080	0E	C-RES, S 120K-1/10W J	HCNM	AV-D37
X	FUNCTION	R 0595	88-118-124-080	0E	C-RES, S 120K-1/10W J	HRJNM	AV-D37
X	FUNCTION	R 0595	88-118-124-080	0E	C-RES, S 120K-1/10W J	HTNM	AV-D37
X	FUNCTION	R 0595	88-118-124-080	0E	C-RES, S 120K-1/10W J	HCNM	AV-D37
X	FUNCTION	R 0596	88-118-124-080	0E	C-RES, S 120K-1/10W J	HRJNM	AV-D37
X	FUNCTION	R 0596	88-118-124-080	0E	C-RES, S 120K-1/10W J	HTNM	AV-D37
X	FUNCTION	R 0596	88-118-124-080	0E	C-RES, S 120K-1/10W J	HCNM	AV-D37
X	FUNCTION	R 0597	88-118-473-080	0E	C-RES, S 47K-1/10W J	HCNM	AV-D37
X	FUNCTION	R 0597	88-118-473-080	0E	C-RES, S 47K-1/10W J	HRJNM	AV-D37
X	FUNCTION	R 0597	88-118-473-080	0E	C-RES, S 47K-1/10W J	HTNM	AV-D37
X	FUNCTION	R 0598	88-118-473-080	0E	C-RES, S 47K-1/10W J	HCNM	AV-D37
X	FUNCTION	R 0598	88-118-473-080	0E	C-RES, S 47K-1/10W J	HRJNM	AV-D37
X	FUNCTION	R 0598	88-118-473-080	0E	C-RES, S 47K-1/10W J	HTNM	AV-D37
X	FUNCTION	R 0599	88-118-473-080	0E	C-RES, S 47K-1/10W J	HCNM	AV-D37
X	FUNCTION	R 0599	88-118-473-080	0E	C-RES, S 47K-1/10W J	HRJNM	AV-D37
X	FUNCTION	R 0599	88-118-473-080	0E	C-RES, S 47K-1/10W J	HTNM	AV-D37
X	FUNCTION	R 0638	88-118-104-080	0E	C-RES, S 100K-1/10W J	HCNM	AV-D37
X	FUNCTION	R 0638	88-118-104-080	0E	C-RES, S 100K-1/10W J	HRJNM	AV-D37
X	FUNCTION	R 0638	88-118-104-080	0E	C-RES, S 100K-1/10W J	HTNM	AV-D37
O	GEQ	C 0758	87-010-404-080	0E	CAP, E 4.7-50 M 11L SME	HCNM	AV-D37
O	GEQ	C 0758	87-010-404-080	0E	CAP, E 4.7-50 M 11L SME	HRJNM	AV-D37
O	GEQ	C 0758	87-010-404-080	0E	CAP, E 4.7-50 M 11L SME	HTNM	AV-D37
O	GEQ	C 0759	87-012-368-080	0E	C-CAP, S 0.1-50 Z F	HCNM	AV-D37

# PARTS LIST

! =  $\Delta$  SAFTY PARTS  
 C = Components marked

All components used on this model at the production line are shown in this service manual.

However, please note that not all components will be available as spare parts for after-sales service.

Components marked S and O are designated as spare parts for service and will be stocked at the spare parts centers.

Components marked X and R are not designated as spare parts for after sales service, and will not be stocked at the spare parts centers.

K NO. = Only use Japanese.

! C	UNIT NAME	REF NO.	PARTS CODE	K NO.	DESCRIPTION	SUFFIX	MODEL NAME
O	GEQ	C 0759	87-012-368-080	0E	C-CAP,S 0.1-50 Z F	HRJNM	AV-D37
O	GEQ	C 0759	87-012-368-080	0E	C-CAP,S 0.1-50 Z F	HTNM	AV-D37
X	GEQ	C 0760	88-710-949-810	1A	CAP,M 0.47-50 J TFL	HCNM	AV-D37
X	GEQ	C 0760	88-710-949-810	1A	CAP,M 0.47-50 J TFL	HRJNM	AV-D37
X	GEQ	C 0760	88-710-949-810	1A	CAP,M 0.47-50 J TFL	HTNM	AV-D37
O	GEQ	C 0761	87-010-198-080	0E	C-CAP,S 0.022-25 K B C2012	HCNM	AV-D37
O	GEQ	C 0761	87-010-198-080	0E	C-CAP,S 0.022-25 K B C2012	HRJNM	AV-D37
O	GEQ	C 0761	87-010-198-080	0E	C-CAP,S 0.022-25 K B C2012	HTNM	AV-D37
O	GEQ	C 0762	87-010-197-080	0E	C-CAP,S 0.01-25 K B C2012	HCNM	AV-D37
O	GEQ	C 0762	87-010-197-080	0E	C-CAP,S 0.01-25 K B C2012	HRJNM	AV-D37
O	GEQ	C 0762	87-010-197-080	0E	C-CAP,S 0.01-25 K B C2012	HTNM	AV-D37
X	GEQ	C 0763	88-710-969-810	0E	CAP,M 0.12-50 J TFL ECQV	HCNM	AV-D37
X	GEQ	C 0763	88-710-969-810	0E	CAP,M 0.12-50 J TFL ECQV	HRJNM	AV-D37
X	GEQ	C 0763	88-710-969-810	0E	CAP,M 0.12-50 J TFL ECQV	HTNM	AV-D37
O	GEQ	C 0764	87-010-185-080	0E	C-CAP,S 3900P-50 K B	HCNM	AV-D37
O	GEQ	C 0764	87-010-185-080	0E	C-CAP,S 3900P-50 K B	HRJNM	AV-D37
O	GEQ	C 0764	87-010-185-080	0E	C-CAP,S 3900P-50 K B	HTNM	AV-D37
O	GEQ	C 0765	87-010-194-080	0E	C-CAP,S 0.047-25 Z F	HCNM	AV-D37
O	GEQ	C 0765	87-010-194-080	0E	C-CAP,S 0.047-25 Z F	HRJNM	AV-D37
O	GEQ	C 0765	87-010-194-080	0E	C-CAP,S 0.047-25 Z F	HTNM	AV-D37
O	GEQ	C 0766	87-010-181-080	0E	C-CAP,S 1800P-50 K B GRM	HCNM	AV-D37
O	GEQ	C 0766	87-010-181-080	0E	C-CAP,S 1800P-50 K B GRM	HRJNM	AV-D37
O	GEQ	C 0766	87-010-181-080	0E	C-CAP,S 1800P-50 K B GRM	HTNM	AV-D37
O	GEQ	C 0767	87-010-198-080	0E	C-CAP,S 0.022-25 K B C2012	HCNM	AV-D37
O	GEQ	C 0767	87-010-198-080	0E	C-CAP,S 0.022-25 K B C2012	HRJNM	AV-D37
O	GEQ	C 0767	87-010-198-080	0E	C-CAP,S 0.022-25 K B C2012	HTNM	AV-D37
O	GEQ	C 0768	87-010-994-080	0E	C-CAP,S 680P-50 J CH	HCNM	AV-D37
O	GEQ	C 0768	87-010-994-080	0E	C-CAP,S 680P-50 J CH	HRJNM	AV-D37
O	GEQ	C 0768	87-010-994-080	0E	C-CAP,S 680P-50 J CH	HTNM	AV-D37
O	GEQ	C 0769	87-010-188-080	0E	C-CAP,S 6800P-50 K B C2012	HCNM	AV-D37
O	GEQ	C 0769	87-010-188-080	0E	C-CAP,S 6800P-50 K B C2012	HRJNM	AV-D37
O	GEQ	C 0769	87-010-188-080	0E	C-CAP,S 6800P-50 K B C2012	HTNM	AV-D37
O	GEQ	C 0770	87-012-145-080	0E	C-CAP,S 270P-50 J CH GRM	HCNM	AV-D37
O	GEQ	C 0770	87-012-145-080	0E	C-CAP,S 270P-50 J CH GRM	HRJNM	AV-D37
O	GEQ	C 0770	87-012-145-080	0E	C-CAP,S 270P-50 J CH GRM	HTNM	AV-D37
O	GEQ	C 0771	87-010-183-080	0E	C-CAP,S 2700P-50 K B GRM	HCNM	AV-D37
O	GEQ	C 0771	87-010-183-080	0E	C-CAP,S 2700P-50 K B GRM	HRJNM	AV-D37
O	GEQ	C 0771	87-010-183-080	0E	C-CAP,S 2700P-50 K B GRM	HTNM	AV-D37
O	GEQ	C 0772	87-012-145-080	0E	C-CAP,S 270P-50 J CH GRM	HCNM	AV-D37
O	GEQ	C 0772	87-012-145-080	0E	C-CAP,S 270P-50 J CH GRM	HRJNM	AV-D37
O	GEQ	C 0772	87-012-145-080	0E	C-CAP,S 270P-50 J CH GRM	HTNM	AV-D37
O	GEQ	C 0773	87-010-188-080	0E	C-CAP,S 6800P-50 K B C2012	HCNM	AV-D37
O	GEQ	C 0773	87-010-188-080	0E	C-CAP,S 6800P-50 K B C2012	HRJNM	AV-D37
O	GEQ	C 0773	87-010-188-080	0E	C-CAP,S 6800P-50 K B C2012	HTNM	AV-D37
O	GEQ	C 0774	87-010-994-080	0E	C-CAP,S 680P-50 J CH	HCNM	AV-D37
O	GEQ	C 0774	87-010-994-080	0E	C-CAP,S 680P-50 J CH	HRJNM	AV-D37
O	GEQ	C 0774	87-010-994-080	0E	C-CAP,S 680P-50 J CH	HTNM	AV-D37
O	GEQ	C 0775	87-010-198-080	0E	C-CAP,S 0.022-25 K B C2012	HCNM	AV-D37
O	GEQ	C 0775	87-010-198-080	0E	C-CAP,S 0.022-25 K B C2012	HRJNM	AV-D37
O	GEQ	C 0775	87-010-198-080	0E	C-CAP,S 0.022-25 K B C2012	HTNM	AV-D37
O	GEQ	C 0776	87-010-181-080	0E	C-CAP,S 1800P-50 K B GRM	HCNM	AV-D37
O	GEQ	C 0776	87-010-181-080	0E	C-CAP,S 1800P-50 K B GRM	HRJNM	AV-D37
O	GEQ	C 0776	87-010-181-080	0E	C-CAP,S 1800P-50 K B GRM	HTNM	AV-D37
O	GEQ	C 0777	87-010-194-080	0E	C-CAP,S 0.047-25 Z F	HCNM	AV-D37
O	GEQ	C 0777	87-010-194-080	0E	C-CAP,S 0.047-25 Z F	HRJNM	AV-D37
O	GEQ	C 0777	87-010-194-080	0E	C-CAP,S 0.047-25 Z F	HTNM	AV-D37
O	GEQ	C 0778	87-010-185-080	0E	C-CAP,S 3900P-50 K B	HCNM	AV-D37
O	GEQ	C 0778	87-010-185-080	0E	C-CAP,S 3900P-50 K B	HRJNM	AV-D37
O	GEQ	C 0778	87-010-185-080	0E	C-CAP,S 3900P-50 K B	HTNM	AV-D37
X	GEQ	C 0779	88-710-969-810	0E	CAP,M 0.12-50 J TFL ECQV	HCNM	AV-D37
X	GEQ	C 0779	88-710-969-810	0E	CAP,M 0.12-50 J TFL ECQV	HRJNM	AV-D37
X	GEQ	C 0779	88-710-969-810	0E	CAP,M 0.12-50 J TFL ECQV	HTNM	AV-D37
O	GEQ	C 0780	87-010-197-080	0E	C-CAP,S 0.01-25 K B C2012	HCNM	AV-D37
O	GEQ	C 0780	87-010-197-080	0E	C-CAP,S 0.01-25 K B C2012	HRJNM	AV-D37
O	GEQ	C 0780	87-010-197-080	0E	C-CAP,S 0.01-25 K B C2012	HTNM	AV-D37
X	GEQ	C 0781	88-710-949-810	1A	CAP,M 0.47-50 J TFL	HCNM	AV-D37
X	GEQ	C 0781	88-710-949-810	1A	CAP,M 0.47-50 J TFL	HRJNM	AV-D37
X	GEQ	C 0781	88-710-949-810	1A	CAP,M 0.47-50 J TFL	HTNM	AV-D37
O	GEQ	C 0782	87-010-183-080	0E	C-CAP,S 2700P-50 K B GRM	HCNM	AV-D37
O	GEQ	C 0782	87-010-183-080	0E	C-CAP,S 2700P-50 K B GRM	HRJNM	AV-D37
O	GEQ	C 0782	87-010-183-080	0E	C-CAP,S 2700P-50 K B GRM	HTNM	AV-D37

# PARTS LIST

! =  $\Delta$  SAFTY PARTS  
 C = Components marked

All components used on this model at the production line are shown in this service manual.

However, please note that not all components will be available as spare parts for after-sales service.

Components marked S and O are designated as spare parts for service and will be stocked at the spare parts centers.

Components marked X and R are not designated as spare parts for after sales service, and will not be stocked at the spare parts centers.

K NO. = Only use japanese.

! C	UNIT NAME	REF NO.	PARTS CODE	K NO.	DESCRIPTION	SUFFIX	MODEL NAME
O	GEQ	C 0782	87-010-183-080	0E	C-CAP,S 2700P-50 K B GRM	HTNM	AV-D37
O	GEQ	C 0783	87-010-198-080	0E	C-CAP,S 0.022-25 K B C2012	HCNM	AV-D37
O	GEQ	C 0783	87-010-198-080	0E	C-CAP,S 0.022-25 K B C2012	HRJNM	AV-D37
O	GEQ	C 0783	87-010-198-080	0E	C-CAP,S 0.022-25 K B C2012	HTNM	AV-D37
X	GEQ	C 0784	88-710-949-810	1A	CAP,M 0.47-50 J TFL	HCNM	AV-D37
X	GEQ	C 0784	88-710-949-810	1A	CAP,M 0.47-50 J TFL	HRJNM	AV-D37
X	GEQ	C 0784	88-710-949-810	1A	CAP,M 0.47-50 J TFL	HTNM	AV-D37
X	GEQ	C 0785	88-710-969-810	0E	CAP,M 0.12-50 J TFL ECQV	HCNM	AV-D37
X	GEQ	C 0785	88-710-969-810	0E	CAP,M 0.12-50 J TFL ECQV	HRJNM	AV-D37
X	GEQ	C 0785	88-710-969-810	0E	CAP,M 0.12-50 J TFL ECQV	HTNM	AV-D37
O	GEQ	C 0786	87-010-402-080	0E	CAP,E 2.2-50 M 11L SME	HCNM	AV-D37
O	GEQ	C 0786	87-010-402-080	0E	CAP,E 2.2-50 M 11L SME	HRJNM	AV-D37
O	GEQ	C 0786	87-010-402-080	0E	CAP,E 2.2-50 M 11L SME	HTNM	AV-D37
O	GEQ	C 0787	87-010-402-080	0E	CAP,E 2.2-50 M 11L SME	HCNM	AV-D37
O	GEQ	C 0787	87-010-402-080	0E	CAP,E 2.2-50 M 11L SME	HRJNM	AV-D37
O	GEQ	C 0787	87-010-402-080	0E	CAP,E 2.2-50 M 11L SME	HTNM	AV-D37
O	GEQ	C 0788	87-010-260-080	0E	CAP,E 47-25 M 11L SME	HCNM	AV-D37
O	GEQ	C 0788	87-010-260-080	0E	CAP,E 47-25 M 11L SME	HRJNM	AV-D37
O	GEQ	C 0788	87-010-260-080	0E	CAP,E 47-25 M 11L SME	HTNM	AV-D37
O	GEQ	C 0789	87-010-260-080	0E	CAP,E 47-25 M 11L SME	HCNM	AV-D37
O	GEQ	C 0789	87-010-260-080	0E	CAP,E 47-25 M 11L SME	HRJNM	AV-D37
O	GEQ	C 0789	87-010-260-080	0E	CAP,E 47-25 M 11L SME	HTNM	AV-D37
O	GEQ	C 0790	87-010-260-080	0E	CAP,E 47-25 M 11L SME	HCNM	AV-D37
O	GEQ	C 0790	87-010-260-080	0E	CAP,E 47-25 M 11L SME	HRJNM	AV-D37
O	GEQ	C 0790	87-010-260-080	0E	CAP,E 47-25 M 11L SME	HTNM	AV-D37
O	GEQ	C 0791	87-010-405-080	0E	CAP,E 10-50 M 11L SME	HCNM	AV-D37
O	GEQ	C 0791	87-010-405-080	0E	CAP,E 10-50 M 11L SME	HRJNM	AV-D37
O	GEQ	C 0791	87-010-405-080	0E	CAP,E 10-50 M 11L SME	HTNM	AV-D37
O	GEQ	C 0792	87-010-405-080	0E	CAP,E 10-50 M 11L SME	HCNM	AV-D37
O	GEQ	C 0792	87-010-405-080	0E	CAP,E 10-50 M 11L SME	HRJNM	AV-D37
O	GEQ	C 0792	87-010-405-080	0E	CAP,E 10-50 M 11L SME	HTNM	AV-D37
O	GEQ	C 0793	87-012-368-080	0E	C-CAP,S 0.1-50 Z F	HCNM	AV-D37
O	GEQ	C 0793	87-012-368-080	0E	C-CAP,S 0.1-50 Z F	HRJNM	AV-D37
O	GEQ	C 0793	87-012-368-080	0E	C-CAP,S 0.1-50 Z F	HTNM	AV-D37
O	GEQ	C 0794	87-012-368-080	0E	C-CAP,S 0.1-50 Z F	HCNM	AV-D37
O	GEQ	C 0794	87-012-368-080	0E	C-CAP,S 0.1-50 Z F	HRJNM	AV-D37
O	GEQ	C 0794	87-012-368-080	0E	C-CAP,S 0.1-50 Z F	HTNM	AV-D37
X	GEQ	C 0795	88-710-969-810	0E	CAP,M 0.12-50 J TFL ECQV	HCNM	AV-D37
X	GEQ	C 0795	88-710-969-810	0E	CAP,M 0.12-50 J TFL ECQV	HRJNM	AV-D37
X	GEQ	C 0795	88-710-969-810	0E	CAP,M 0.12-50 J TFL ECQV	HTNM	AV-D37
X	GEQ	C 0796	88-710-949-810	1A	CAP,M 0.47-50 J TFL	HCNM	AV-D37
X	GEQ	C 0796	88-710-949-810	1A	CAP,M 0.47-50 J TFL	HRJNM	AV-D37
X	GEQ	C 0796	88-710-949-810	1A	CAP,M 0.47-50 J TFL	HTNM	AV-D37
O	GEQ	C 0797	87-010-322-080	0E	C-CAP,S 100P-50 J CH GRM	HCNM	AV-D37
O	GEQ	C 0797	87-010-322-080	0E	C-CAP,S 100P-50 J CH GRM	HRJNM	AV-D37
O	GEQ	C 0797	87-010-322-080	0E	C-CAP,S 100P-50 J CH GRM	HTNM	AV-D37
O	GEQ	C 0798	87-010-322-080	0E	C-CAP,S 100P-50 J CH GRM	HCNM	AV-D37
O	GEQ	C 0798	87-010-322-080	0E	C-CAP,S 100P-50 J CH GRM	HRJNM	AV-D37
O	GEQ	C 0798	87-010-322-080	0E	C-CAP,S 100P-50 J CH GRM	HTNM	AV-D37
O	GEQ	C 0799	87-010-322-080	0E	C-CAP,S 100P-50 J CH GRM	HCNM	AV-D37
O	GEQ	C 0799	87-010-322-080	0E	C-CAP,S 100P-50 J CH GRM	HRJNM	AV-D37
O	GEQ	CN 0701	87-099-670-010	0E	CONN,9P TUC-P9X-B1	HCNM	AV-D37
O	GEQ	CN 0701	87-099-670-010	0E	CONN,9P TUC-P9X-B1	HRJNM	AV-D37
O	GEQ	CN 0701	87-099-670-010	0E	CONN,9P TUC-P9X-B1	HTNM	AV-D37
O	GEQ	CN 0702	8A-AR3-653-010	1B	CONN ASSY,10P (GEQ)	HCNM	AV-D37
O	GEQ	CN 0702	8A-AR3-653-010	1B	CONN ASSY,10P (GEQ)	HRJNM	AV-D37
O	GEQ	CN 0702	8A-AR3-653-010	1B	CONN ASSY,10P (GEQ)	HTNM	AV-D37
S	GEQ	D 0721	87-A40-344-080	0E	ZENER,MTZJ6.2C	HCNM	AV-D37
S	GEQ	D 0721	87-A40-344-080	0E	ZENER,MTZJ6.2C	HRJNM	AV-D37
S	GEQ	D 0721	87-A40-344-080	0E	ZENER,MTZJ6.2C	HTNM	AV-D37
S	GEQ	D 0722	87-A40-002-080	0E	ZENER,MTZJ5.1C	HCNM	AV-D37
S	GEQ	D 0722	87-A40-002-080	0E	ZENER,MTZJ5.1C	HRJNM	AV-D37
S	GEQ	D 0722	87-A40-002-080	0E	ZENER,MTZJ5.1C	HTNM	AV-D37
S	GEQ	D 0723	87-A40-344-080	0E	ZENER,MTZJ6.2C	HCNM	AV-D37
S	GEQ	D 0723	87-A40-344-080	0E	ZENER,MTZJ6.2C	HRJNM	AV-D37
S	GEQ	D 0723	87-A40-344-080	0E	ZENER,MTZJ6.2C	HTNM	AV-D37
S	GEQ	IC 0701	87-A20-437-010	2A	C-IC,M62431FP	HCNM	AV-D37
S	GEQ	IC 0701	87-A20-437-010	2A	C-IC,M62431FP	HRJNM	AV-D37
S	GEQ	IC 0701	87-A20-437-010	2A	C-IC,M62431FP	HTNM	AV-D37

# PARTS LIST

! =  $\Delta$  SAFTY PARTS  
 C = Components marked

All components used on this model at the production line are shown in this service manual.

However, please note that not all components will be available as spare parts for after-sales service.

Components marked S and O are designated as spare parts for service and will be stocked at the spare parts centers.

Components marked X and R are not designated as spare parts for after sales service, and will not be stocked at the spare parts centers.

K NO. = Only use japanese.

! C	UNIT NAME	REF NO.	PARTS CODE	K NO.	DESCRIPTION	SUFFIX	MODEL NAME
X	GEQ	JR 0703	88-118-000-080	0E	C-JUMPER,S	HCNM	AV-D37
X	GEQ	JR 0703	88-118-000-080	0E	C-JUMPER,S	HRJNM	AV-D37
X	GEQ	JR 0703	88-118-000-080	0E	C-JUMPER,S	HTNM	AV-D37
X	GEQ	JR 0704	88-118-000-080	0E	C-JUMPER,S	HCNM	AV-D37
X	GEQ	JR 0704	88-118-000-080	0E	C-JUMPER,S	HRJNM	AV-D37
X	GEQ	JR 0704	88-118-000-080	0E	C-JUMPER,S	HTNM	AV-D37
X	GEQ	JR 0705	88-118-000-080	0E	C-JUMPER,S	HCNM	AV-D37
X	GEQ	JR 0705	88-118-000-080	0E	C-JUMPER,S	HRJNM	AV-D37
X	GEQ	JR 0705	88-118-000-080	0E	C-JUMPER,S	HTNM	AV-D37
X	GEQ	JR 0706	88-118-000-080	0E	C-JUMPER,S	HCNM	AV-D37
X	GEQ	JR 0706	88-118-000-080	0E	C-JUMPER,S	HRJNM	AV-D37
X	GEQ	JR 0706	88-118-000-080	0E	C-JUMPER,S	HTNM	AV-D37
X	GEQ	R 0507	88-118-750-080	0E	C-RES,S 75-1/10W J	HCNM	AV-D37
X	GEQ	R 0507	88-118-750-080	0E	C-RES,S 75-1/10W J	HRJNM	AV-D37
X	GEQ	R 0507	88-118-750-080	0E	C-RES,S 75-1/10W J	HTNM	AV-D37
X	GEQ	R 0508	88-118-109-080	0E	C-RES,S 1-1/10W J	HCNM	AV-D37
X	GEQ	R 0508	88-118-109-080	0E	C-RES,S 1-1/10W J	HRJNM	AV-D37
X	GEQ	R 0508	88-118-109-080	0E	C-RES,S 1-1/10W J	HTNM	AV-D37
X	GEQ	R 0781	88-128-470-080	0E	C-RES, 47-1/8W J	HCNM	AV-D37
X	GEQ	R 0781	88-128-470-080	0E	C-RES, 47-1/8W J	HRJNM	AV-D37
X	GEQ	R 0781	88-128-470-080	0E	C-RES, 47-1/8W J	HTNM	AV-D37
X	GEQ	R 0782	88-128-470-080	0E	C-RES, 47-1/8W J	HRJNM	AV-D37
X	GEQ	R 0782	88-128-470-080	0E	C-RES, 47-1/8W J	HTNM	AV-D37
X	GEQ	R 0783	88-128-470-080	0E	C-RES, 47-1/8W J	HRJNM	AV-D37
X	GEQ	R 0783	88-128-470-080	0E	C-RES, 47-1/8W J	HTNM	AV-D37
X	GEQ	R 0784	88-128-470-080	0E	C-RES, 47-1/8W J	HCNM	AV-D37
X	GEQ	R 0784	88-128-470-080	0E	C-RES, 47-1/8W J	HRJNM	AV-D37
X	GEQ	R 0784	88-128-470-080	0E	C-RES, 47-1/8W J	HTNM	AV-D37
X	GEQ	R 0785	88-128-122-080	0E	C-RES, 1.2K-1/8W J	HCNM	AV-D37
X	GEQ	R 0785	88-128-122-080	0E	C-RES, 1.2K-1/8W J	HRJNM	AV-D37
X	GEQ	R 0785	88-128-122-080	0E	C-RES, 1.2K-1/8W J	HTNM	AV-D37
X	GEQ	R 0788	88-118-103-080	0E	C-RES,S 10K-1/10W J	HCNM	AV-D37
X	GEQ	R 0788	88-118-103-080	0E	C-RES,S 10K-1/10W J	HRJNM	AV-D37
X	GEQ	R 0788	88-118-103-080	0E	C-RES,S 10K-1/10W J	HTNM	AV-D37
X	GEQ	R 0789	88-118-103-080	0E	C-RES,S 10K-1/10W J	HCNM	AV-D37
X	GEQ	R 0789	88-118-103-080	0E	C-RES,S 10K-1/10W J	HRJNM	AV-D37
X	GEQ	R 0789	88-118-103-080	0E	C-RES,S 10K-1/10W J	HTNM	AV-D37
X	GEQ	R 0790	88-118-102-080	0E	C-RES,S 1K-1/10W J	HCNM	AV-D37
X	GEQ	R 0790	88-118-102-080	0E	C-RES,S 1K-1/10W J	HRJNM	AV-D37
X	GEQ	R 0790	88-118-102-080	0E	C-RES,S 1K-1/10W J	HTNM	AV-D37
X	GEQ	R 0792	88-128-470-080	0E	C-RES, 47-1/8W J	HCNM	AV-D37
X	GEQ	R 0792	88-128-470-080	0E	C-RES, 47-1/8W J	HRJNM	AV-D37
X	GEQ	R 0792	88-128-470-080	0E	C-RES, 47-1/8W J	HTNM	AV-D37
X	GEQ	R 0793	88-118-102-080	0E	C-RES,S 1K-1/10W J	HCNM	AV-D37
X	GEQ	R 0793	88-118-102-080	0E	C-RES,S 1K-1/10W J	HRJNM	AV-D37
X	GEQ	R 0793	88-118-102-080	0E	C-RES,S 1K-1/10W J	HTNM	AV-D37
X	GEQ	R 0794	88-118-102-080	0E	C-RES,S 1K-1/10W J	HCNM	AV-D37
X	GEQ	R 0794	88-118-102-080	0E	C-RES,S 1K-1/10W J	HRJNM	AV-D37
X	GEQ	R 0794	88-118-102-080	0E	C-RES,S 1K-1/10W J	HTNM	AV-D37
X	GEQ	R 0795	88-118-000-080	0E	C-JUMPER,S	HCNM	AV-D37
X	GEQ	R 0795	88-118-000-080	0E	C-JUMPER,S	HRJNM	AV-D37
X	GEQ	R 0795	88-118-000-080	0E	C-JUMPER,S	HTNM	AV-D37
X	GEQ	R 0796	88-118-000-080	0E	C-JUMPER,S	HCNM	AV-D37
X	GEQ	R 0796	88-118-000-080	0E	C-JUMPER,S	HRJNM	AV-D37
X	GEQ	R 0796	88-118-000-080	0E	C-JUMPER,S	HTNM	AV-D37
X	GEQ	R 0797	88-128-470-080	0E	C-RES, 47-1/8W J	HCNM	AV-D37
X	GEQ	R 0797	88-128-470-080	0E	C-RES, 47-1/8W J	HRJNM	AV-D37
X	GEQ	R 0797	88-128-470-080	0E	C-RES, 47-1/8W J	HTNM	AV-D37
!	O KEY CON SW	CN 0509	87-099-667-010	0E	CONN,8P H TUC-P08P-B1	HCNM	AV-D37
!	O KEY CON SW	CN 0509	87-099-667-010	0E	CONN,8P H TUC-P08P-B1	HRJNM	AV-D37
!	O KEY CON SW	CN 0509	87-099-667-010	0E	CONN,8P H TUC-P08P-B1	HTNM	AV-D37
X	KEY CON SW	JR 0651	88-118-000-080	0E	C-JUMPER,S	HCNM	AV-D37
X	KEY CON SW	JR 0651	88-118-000-080	0E	C-JUMPER,S	HRJNM	AV-D37
X	KEY CON SW	JR 0651	88-118-000-080	0E	C-JUMPER,S	HTNM	AV-D37
X	KEY CON SW	JR 0652	88-129-000-080	0E	C-JUMPER,3216	HCNM	AV-D37
X	KEY CON SW	JR 0652	88-129-000-080	0E	C-JUMPER,3216	HRJNM	AV-D37
X	KEY CON SW	JR 0652	88-129-000-080	0E	C-JUMPER,3216	HTNM	AV-D37
X	KEY CON SW	JR 0653	88-118-000-080	0E	C-JUMPER,S	HCNM	AV-D37

# PARTS LIST

! =  $\Delta$  SAFTY PARTS  
 C = Components marked

All components used on this model at the production line are shown in this service manual.

However, please note that not all components will be available as spare parts for after-sales service.

Components marked S and O are designated as spare parts for service and will be stocked at the spare parts centers.

Components marked X and R are not designated as spare parts for after sales service, and will not be stocked at the spare parts centers.

K NO. = Only use japanese.

! C	UNIT NAME	REF NO.	PARTS CODE	K NO.	DESCRIPTION	SUFFIX	MODEL NAME
X	KEY CON SW	JR 0653	88-118-000-080	0E	C-JUMPER, S	HRJNM	AV-D37
X	KEY CON SW	JR 0653	88-118-000-080	0E	C-JUMPER, S	HTNM	AV-D37
X	KEY CON SW	JR 0654	88-118-000-080	0E	C-JUMPER, S	HCNM	AV-D37
X	KEY CON SW	JR 0654	88-118-000-080	0E	C-JUMPER, S	HRJNM	AV-D37
X	KEY CON SW	JR 0654	88-118-000-080	0E	C-JUMPER, S	HTNM	AV-D37
X	KEY CON SW	JR 0655	88-118-000-080	0E	C-JUMPER, S	HCNM	AV-D37
X	KEY CON SW	JR 0655	88-118-000-080	0E	C-JUMPER, S	HRJNM	AV-D37
X	KEY CON SW	JR 0655	88-118-000-080	0E	C-JUMPER, S	HTNM	AV-D37
O	KNOB		8A-AR3-050-010	0E	KEY, POWER GLD	HCNM	AV-D37
O	KNOB		8A-AR3-050-010	0E	KEY, POWER GLD	HRJNM	AV-D37
O	KNOB		8A-AR3-050-010	0E	KEY, POWER GLD	HTNM	AV-D37
O	KNOB		8A-AR3-051-010	0E	KEY, ECO GLD	HCNM	AV-D37
O	KNOB		8A-AR3-051-010	0E	KEY, ECO GLD	HRJNM	AV-D37
O	KNOB		8A-AR3-051-010	0E	KEY, ECO GLD	HTNM	AV-D37
O	KNOB		8A-AR3-052-010	0E	KEY, BAL GLD	HCNM	AV-D37
O	KNOB		8A-AR3-052-010	0E	KEY, BAL GLD	HRJNM	AV-D37
O	KNOB		8A-AR3-052-010	0E	KEY, BAL GLD	HTNM	AV-D37
O	KNOB		8A-AR3-052-010	1A	KNOB, RTRY VOL GLD	HCNM	AV-D37
O	KNOB		8A-AR3-052-010	1A	KNOB, RTRY VOL GLD	HRJNM	AV-D37
O	KNOB		8A-AR3-052-010	1A	KNOB, RTRY VOL GLD	HTNM	AV-D37
O	KNOB		8A-AR3-053-010	--	COVER, MIC GLD	HCNM	AV-D37
O	KNOB		8A-AR3-053-010	--	COVER, MIC GLD	HRJNM	AV-D37
O	KNOB		8A-AR3-053-010	--	COVER, MIC GLD	HTNM	AV-D37
O	KNOB		8A-AR3-054-010	0E	KNOB, RTRY JOG GLD	HCNM	AV-D37
O	KNOB		8A-AR3-054-010	0E	KNOB, RTRY JOG GLD	HRJNM	AV-D37
O	KNOB		8A-AR3-054-010	0E	KNOB, RTRY JOG GLD	HTNM	AV-D37
O	KNOB		8A-AR3-055-010	1A	KNOB, RTRY VOL GLD	HCNM	AV-D37
O	KNOB		8A-AR3-055-010	1A	KNOB, RTRY VOL GLD	HRJNM	AV-D37
O	KNOB		8A-AR3-055-010	1A	KNOB, RTRY VOL GLD	HTNM	AV-D37
O	KNOB		8A-AR3-056-010	1A	BTN, SP GLD	HCNM	AV-D37
O	KNOB		8A-AR3-056-010	1A	BTN, SP GLD	HRJNM	AV-D37
O	KNOB		8A-AR3-056-010	1A	BTN, SP GLD	HTNM	AV-D37
X	KNOB		8A-AR3-057-010	--	KEY, BASS H GLD	HCNM	AV-D37
X	KNOB		8A-AR3-057-010	--	KEY, BASS H GLD	HRJNM	AV-D37
X	KNOB		8A-AR3-057-010	--	KEY, BASS H GLD	HTNM	AV-D37
X	KNOB		8A-AR3-058-010	--	KEY, MONITOR H GLD	HCNM	AV-D37
X	KNOB		8A-AR3-058-010	--	KEY, MONITOR H GLD	HRJNM	AV-D37
X	KNOB		8A-AR3-058-010	--	KEY, MONITOR H GLD	HTNM	AV-D37
O	KNOB		8A-AR3-059-010	--	KEY, ASSY DOLBY H GLD	HCNM	AV-D37
O	KNOB		8A-AR3-059-010	--	KEY, ASSY DOLBY H GLD	HRJNM	AV-D37
O	KNOB		8A-AR3-059-010	--	KEY, ASSY DOLBY H GLD	HTNM	AV-D37
O	KNOB		8A-AR3-060-010	--	KEY, ASSY ENTER H GLD	HCNM	AV-D37
O	KNOB		8A-AR3-060-010	--	KEY, ASSY ENTER H GLD	HRJNM	AV-D37
O	KNOB		8A-AR3-060-010	--	KEY, ASSY ENTER H GLD	HTNM	AV-D37
X	KNOB		8A-AR3-061-010	--	BTN, SUR GLD	HCNM	AV-D37
X	KNOB		8A-AR3-061-010	--	BTN, SUR GLD	HRJNM	AV-D37
X	KNOB		8A-AR3-061-010	--	BTN, SUR GLD	HTNM	AV-D37
X	KNOB		8A-AR3-062-010	--	BTN, DSP GLD	HCNM	AV-D37
X	KNOB		8A-AR3-062-010	--	BTN, DSP GLD	HRJNM	AV-D37
X	KNOB		8A-AR3-062-010	--	BTN, DSP GLD	HTNM	AV-D37
X	KNOB		8A-AR3-063-010	--	BTN, GEQ GLD	HCNM	AV-D37
X	KNOB		8A-AR3-063-010	--	BTN, GEQ GLD	HRJNM	AV-D37
X	KNOB		8A-AR3-063-010	--	BTN, GEQ GLD	HTNM	AV-D37
X	KNOB		8A-AR3-064-010	--	BTN, ENTER GLD	HCNM	AV-D37
X	KNOB		8A-AR3-064-010	--	BTN, ENTER GLD	HRJNM	AV-D37
X	KNOB		8A-AR3-064-010	--	BTN, ENTER GLD	HTNM	AV-D37
X	KNOB		8A-AR3-065-010	--	BTN, UP GLD	HCNM	AV-D37
X	KNOB		8A-AR3-065-010	--	BTN, UP GLD	HRJNM	AV-D37
X	KNOB		8A-AR3-065-010	--	BTN, UP GLD	HTNM	AV-D37
X	KNOB		8A-AR3-066-010	--	BTN, DOWN GLD	HCNM	AV-D37
X	KNOB		8A-AR3-066-010	--	BTN, DOWN GLD	HRJNM	AV-D37
X	KNOB		8A-AR3-066-010	--	BTN, DOWN GLD	HTNM	AV-D37
O	KNOB		8A-AR3-068-010	1D	RING, VOL GLD	HCNM	AV-D37
O	KNOB		8A-AR3-068-010	1D	RING, VOL GLD	HRJNM	AV-D37
O	KNOB		8A-AR3-068-010	1D	RING, VOL GLD	HTNM	AV-D37
O	KNOB		8A-AR3-069-010	1D	RING, FUN GLD	HCNM	AV-D37
O	KNOB		8A-AR3-069-010	1D	RING, FUN GLD	HRJNM	AV-D37
O	KNOB		8A-AR3-069-010	1D	RING, FUN GLD	HTNM	AV-D37
X	LBL, POP		8A-AR3-972-010	0E	LBL, POP LH	HCNM	AV-D37
X	LBL, POP		8A-AR3-972-010	0E	LBL, POP LH	HRJNM	AV-D37
X	LBL, POP		8A-AR3-972-010	0E	LBL, POP LH	HTNM	AV-D37
O	MACB MECHA		87-067-579-010	0E	BVT2+3-8 W/O SL0T	HCNM	AV-D37
O	MACB MECHA		87-067-579-010	0E	BVT2+3-8 W/O SL0T	HRJNM	AV-D37



# PARTS LIST

! =  $\Delta$  SAFTY PARTS  
 C = Components marked

All components used on this model at the production line are shown in this service manual.

However, please note that not all components will be available as spare parts for after-sales service.

Components marked S and O are designated as spare parts for service and will be stocked at the spare parts centers.

Components marked X and R are not designated as spare parts for after sales service, and will not be stocked at the spare parts centers.

K NO. = Only use Japanese.

! C	UNIT NAME	REF NO.	PARTS CODE	K NO.	DESCRIPTION	SUFFIX	MODEL NAME
O	MACB MECHA		87-067-579-010	0E	BVT2+3-8 W/0 SL0T	HTNM	AV-D37
X	MACB MECHA		88-AR1-213-010	0E	HT-SINK, FET	HCNM	AV-D37
X	MACB MECHA		88-AR1-213-010	0E	HT-SINK, FET	HRJNM	AV-D37
X	MACB MECHA		88-AR1-213-010	0E	HT-SINK, FET	HTNM	AV-D37
X	MACB MECHA		88-AR1-220-010	0E	HT-SINK, TR VCC	HCNM	AV-D37
X	MACB MECHA		88-AR1-220-010	0E	HT-SINK, TR VCC	HRJNM	AV-D37
X	MACB MECHA		88-AR1-220-010	0E	HT-SINK, TR VCC	HTNM	AV-D37
X	MECHANICAL		8Z-AR1-201-210	2M	CHAS, MAIN	HCNM	AV-D37
X	MECHANICAL		8Z-AR1-201-210	2M	CHAS, MAIN	HRJNM	AV-D37
X	MECHANICAL		8Z-AR1-201-210	2M	CHAS, MAIN	HTNM	AV-D37
O	MIC	C 0601	87-010-196-080	0E	C-CAP, S 0.1-25 Z F C2012	HCNM	AV-D37
O	MIC	C 0601	87-010-196-080	0E	C-CAP, S 0.1-25 Z F C2012	HRJNM	AV-D37
O	MIC	C 0601	87-010-196-080	0E	C-CAP, S 0.1-25 Z F C2012	HTNM	AV-D37
O	MIC	C 0602	87-010-560-040	0E	CAP, E 10-50 M 5L MA	HCNM	AV-D37
O	MIC	C 0602	87-010-560-040	0E	CAP, E 10-50 M 5L MA	HRJNM	AV-D37
O	MIC	C 0602	87-010-560-040	0E	CAP, E 10-50 M 5L MA	HTNM	AV-D37
O	MIC	C 0603	87-010-491-040	0E	CAP, E 0.22-50 M 5L SRE	HCNM	AV-D37
O	MIC	C 0603	87-010-491-040	0E	CAP, E 0.22-50 M 5L SRE	HRJNM	AV-D37
O	MIC	C 0603	87-010-491-040	0E	CAP, E 0.22-50 M 5L SRE	HTNM	AV-D37
O	MIC	C 0604	87-A10-189-040	0E	CAP, E 220-10 M 5L	HCNM	AV-D37
O	MIC	C 0604	87-A10-189-040	0E	CAP, E 220-10 M 5L	HRJNM	AV-D37
O	MIC	C 0604	87-A10-189-040	0E	CAP, E 220-10 M 5L	HTNM	AV-D37
O	MIC	C 0605	87-010-322-080	0E	C-CAP, S 100P-50 J CH GRM	HCNM	AV-D37
O	MIC	C 0605	87-010-322-080	0E	C-CAP, S 100P-50 J CH GRM	HRJNM	AV-D37
O	MIC	C 0605	87-010-322-080	0E	C-CAP, S 100P-50 J CH GRM	HTNM	AV-D37
O	MIC	C 0606	87-010-321-080	0E	C-CAP, S 82P-50 J CH	HCNM	AV-D37
O	MIC	C 0606	87-010-321-080	0E	C-CAP, S 82P-50 J CH	HRJNM	AV-D37
O	MIC	C 0606	87-010-321-080	0E	C-CAP, S 82P-50 J CH	HTNM	AV-D37
O	MIC	C 0607	87-010-196-080	0E	C-CAP, S 0.1-25 Z F C2012	HCNM	AV-D37
O	MIC	C 0607	87-010-196-080	0E	C-CAP, S 0.1-25 Z F C2012	HRJNM	AV-D37
O	MIC	C 0607	87-010-196-080	0E	C-CAP, S 0.1-25 Z F C2012	HTNM	AV-D37
O	MIC	C 0608	87-010-186-080	0E	C-CAP, S 4700P-50 K B C2012	HCNM	AV-D37
O	MIC	C 0608	87-010-186-080	0E	C-CAP, S 4700P-50 K B C2012	HRJNM	AV-D37
O	MIC	C 0608	87-010-186-080	0E	C-CAP, S 4700P-50 K B C2012	HTNM	AV-D37
O	MIC	C 0609	87-010-188-080	0E	C-CAP, S 6800P-50 K B C2012	HCNM	AV-D37
O	MIC	C 0609	87-010-188-080	0E	C-CAP, S 6800P-50 K B C2012	HRJNM	AV-D37
O	MIC	C 0609	87-010-188-080	0E	C-CAP, S 6800P-50 K B C2012	HTNM	AV-D37
O	MIC	C 0610	87-010-560-040	0E	CAP, E 10-50 M 5L MA	HCNM	AV-D37
O	MIC	C 0610	87-010-560-040	0E	CAP, E 10-50 M 5L MA	HRJNM	AV-D37
O	MIC	C 0610	87-010-560-040	0E	CAP, E 10-50 M 5L MA	HTNM	AV-D37
O	MIC	C 0611	87-010-322-080	0E	C-CAP, S 100P-50 J CH GRM	HCNM	AV-D37
O	MIC	C 0611	87-010-322-080	0E	C-CAP, S 100P-50 J CH GRM	HRJNM	AV-D37
O	MIC	C 0611	87-010-322-080	0E	C-CAP, S 100P-50 J CH GRM	HTNM	AV-D37
O	MIC	C 0612	87-010-177-080	0E	C-CAP, S 820P-50 J SL C2012	HCNM	AV-D37
O	MIC	C 0612	87-010-177-080	0E	C-CAP, S 820P-50 J SL C2012	HRJNM	AV-D37
O	MIC	C 0612	87-010-177-080	0E	C-CAP, S 820P-50 J SL C2012	HTNM	AV-D37
O	MIC	C 0613	87-010-552-040	0E	CAP, E 22-16 M 5L SRE	HCNM	AV-D37
O	MIC	C 0613	87-010-552-040	0E	CAP, E 22-16 M 5L SRE	HRJNM	AV-D37
O	MIC	C 0613	87-010-552-040	0E	CAP, E 22-16 M 5L SRE	HTNM	AV-D37
O	MIC	C 0614	87-016-462-080	0E	C-CAP, S 1-16 Z F	HCNM	AV-D37
O	MIC	C 0614	87-016-462-080	0E	C-CAP, S 1-16 Z F	HRJNM	AV-D37
O	MIC	C 0614	87-016-462-080	0E	C-CAP, S 1-16 Z F	HTNM	AV-D37
O	MIC	CN 0601	87-009-362-010	0E	CONN, 6P H BLK BTMK	HCNM	AV-D37
O	MIC	CN 0601	87-009-362-010	0E	CONN, 6P H BLK BTMK	HRJNM	AV-D37
X	MIC	CN 0601	87-009-362-010	0E	CONN, 6P H BLK BTMK	HTNM	AV-D37
S	MIC	D 0601	87-020-465-080	0E	DIODE, 1SS133	HCNM	AV-D37
S	MIC	D 0601	87-020-465-080	0E	DIODE, 1SS133	HRJNM	AV-D37
S	MIC	D 0601	87-020-465-080	0E	DIODE, 1SS133	HTNM	AV-D37
X	MIC	EP 0601	81-689-212-010	0E	PLATE, EARTH	HCNM	AV-D37
X	MIC	EP 0601	81-689-212-010	0E	PLATE, EARTH	HRJNM	AV-D37
X	MIC	EP 0601	81-689-212-010	0E	PLATE, EARTH	HTNM	AV-D37
X	MIC	FB 0601	88-100-000-010	0E	PLATING-JW, 0.58 SN95	HCNM	AV-D37
X	MIC	FB 0601	88-100-000-010	0E	PLATING-JW, 0.58 SN95	HRJNM	AV-D37
X	MIC	FB 0601	88-100-000-010	0E	PLATING-JW, 0.58 SN95	HTNM	AV-D37
S	MIC	IC 0601	87-A21-419-040	0E	C-IC, NJM14558MD-TE2	HCNM	AV-D37
S	MIC	IC 0601	87-A21-419-040	0E	C-IC, NJM14558MD-TE2	HRJNM	AV-D37
S	MIC	IC 0601	87-A21-419-040	0E	C-IC, NJM14558MD-TE2	HTNM	AV-D37
O	MIC	J 0601	87-A60-188-010	1A	JACK, 6.3 BLK MONO W/SW MIC	HCNM	AV-D37
O	MIC	J 0601	87-A60-188-010	1A	JACK, 6.3 BLK MONO W/SW MIC	HRJNM	AV-D37
O	MIC	J 0601	87-A60-188-010	1A	JACK, 6.3 BLK MONO W/SW MIC	HTNM	AV-D37

# PARTS LIST

! =  $\Delta$  SAFTY PARTS  
 C = Components marked

All components used on this model at the production line are shown in this service manual.

However, please note that not all components will be available as spare parts for after-sales service.

Components marked S and O are designated as spare parts for service and will be stocked at the spare parts centers.

Components marked X and R are not designated as spare parts for after sales service, and will not be stocked at the spare parts centers.

K NO. = Only use Japanese.

! C	UNIT NAME	REF NO.	PARTS CODE	K NO.	DESCRIPTION	SUFFIX	MODEL NAME
O	MIC	J 0602	87-A60-188-010	1A	JACK, 6.3 BLK MONO W/SW MIC	HCNM	AV-D37
O	MIC	J 0602	87-A60-188-010	1A	JACK, 6.3 BLK MONO W/SW MIC	HRJNM	AV-D37
O	MIC	J 0602	87-A60-188-010	1A	JACK, 6.3 BLK MONO W/SW MIC	HTNM	AV-D37
X	MIC	JR 0601	88-129-000-080	0E	C-JUMPER, 3216	HCNM	AV-D37
X	MIC	JR 0601	88-129-000-080	0E	C-JUMPER, 3216	HRJNM	AV-D37
X	MIC	JR 0601	88-129-000-080	0E	C-JUMPER, 3216	HTNM	AV-D37
X	MIC	JR 0602	88-118-000-080	0E	C-JUMPER, S	HCNM	AV-D37
X	MIC	JR 0602	88-118-000-080	0E	C-JUMPER, S	HRJNM	AV-D37
X	MIC	JR 0602	88-118-000-080	0E	C-JUMPER, S	HTNM	AV-D37
S	MIC	Q 0601	87-A30-087-080	0E	C-FET, 2SK2158	HCNM	AV-D37
S	MIC	Q 0601	87-A30-087-080	0E	C-FET, 2SK2158	HRJNM	AV-D37
S	MIC	Q 0601	87-A30-087-080	0E	C-FET, 2SK2158	HTNM	AV-D37
X	MIC	R 0601	88-118-472-080	0E	C-RES, S 4.7K-1/10W J	HCNM	AV-D37
X	MIC	R 0601	88-118-472-080	0E	C-RES, S 4.7K-1/10W J	HRJNM	AV-D37
X	MIC	R 0601	88-118-472-080	0E	C-RES, S 4.7K-1/10W J	HTNM	AV-D37
X	MIC	R 0602	88-118-472-080	0E	C-RES, S 4.7K-1/10W J	HCNM	AV-D37
X	MIC	R 0602	88-118-472-080	0E	C-RES, S 4.7K-1/10W J	HRJNM	AV-D37
X	MIC	R 0602	88-118-472-080	0E	C-RES, S 4.7K-1/10W J	HTNM	AV-D37
X	MIC	R 0603	88-128-101-080	0E	C-RES, 100-1/8W J	HCNM	AV-D37
X	MIC	R 0603	88-128-101-080	0E	C-RES, 100-1/8W J	HRJNM	AV-D37
X	MIC	R 0603	88-128-101-080	0E	C-RES, 100-1/8W J	HTNM	AV-D37
X	MIC	R 0604	88-118-222-080	0E	C-RES, S 2.2K-1/10W J	HCNM	AV-D37
X	MIC	R 0604	88-118-222-080	0E	C-RES, S 2.2K-1/10W J	HRJNM	AV-D37
X	MIC	R 0604	88-118-222-080	0E	C-RES, S 2.2K-1/10W J	HTNM	AV-D37
X	MIC	R 0605	88-118-222-080	0E	C-RES, S 2.2K-1/10W J	HCNM	AV-D37
X	MIC	R 0605	88-118-222-080	0E	C-RES, S 2.2K-1/10W J	HRJNM	AV-D37
X	MIC	R 0605	88-118-222-080	0E	C-RES, S 2.2K-1/10W J	HTNM	AV-D37
X	MIC	R 0606	88-118-222-080	0E	C-RES, S 2.2K-1/10W J	HCNM	AV-D37
X	MIC	R 0606	88-118-222-080	0E	C-RES, S 2.2K-1/10W J	HRJNM	AV-D37
X	MIC	R 0606	88-118-222-080	0E	C-RES, S 2.2K-1/10W J	HTNM	AV-D37
X	MIC	R 0607	88-118-101-080	0E	C-RES, S 100-1/10W J	HCNM	AV-D37
X	MIC	R 0607	88-118-101-080	0E	C-RES, S 100-1/10W J	HRJNM	AV-D37
X	MIC	R 0607	88-118-101-080	0E	C-RES, S 100-1/10W J	HTNM	AV-D37
X	MIC	R 0608	88-118-274-080	0E	C-RES, S 270K-1/10W J	HCNM	AV-D37
X	MIC	R 0608	88-118-274-080	0E	C-RES, S 270K-1/10W J	HRJNM	AV-D37
X	MIC	R 0608	88-118-274-080	0E	C-RES, S 270K-1/10W J	HTNM	AV-D37
X	MIC	R 0609	88-118-104-080	0E	C-RES, S 100K-1/10W J	HCNM	AV-D37
X	MIC	R 0609	88-118-104-080	0E	C-RES, S 100K-1/10W J	HRJNM	AV-D37
X	MIC	R 0609	88-118-104-080	0E	C-RES, S 100K-1/10W J	HTNM	AV-D37
X	MIC	R 0610	88-118-224-080	0E	C-RES, S 220K-1/10W J	HCNM	AV-D37
X	MIC	R 0610	88-118-224-080	0E	C-RES, S 220K-1/10W J	HRJNM	AV-D37
X	MIC	R 0611	88-118-101-080	0E	C-RES, S 100-1/10W J	HCNM	AV-D37
X	MIC	R 0611	88-118-101-080	0E	C-RES, S 100-1/10W J	HRJNM	AV-D37
X	MIC	R 0611	88-118-101-080	0E	C-RES, S 100-1/10W J	HTNM	AV-D37
X	MIC	R 0612	88-118-222-080	0E	C-RES, S 2.2K-1/10W J	HCNM	AV-D37
X	MIC	R 0612	88-118-222-080	0E	C-RES, S 2.2K-1/10W J	HRJNM	AV-D37
X	MIC	R 0612	88-118-222-080	0E	C-RES, S 2.2K-1/10W J	HTNM	AV-D37
X	MIC	R 0613	88-118-102-080	0E	C-RES, S 1K-1/10W J	HCNM	AV-D37
X	MIC	R 0613	88-118-102-080	0E	C-RES, S 1K-1/10W J	HRJNM	AV-D37
X	MIC	R 0613	88-118-102-080	0E	C-RES, S 1K-1/10W J	HTNM	AV-D37
X	MIC	R 0614	88-118-471-080	0E	C-RES, S 470-1/10W J	HCNM	AV-D37
X	MIC	R 0614	88-118-471-080	0E	C-RES, S 470-1/10W J	HRJNM	AV-D37
X	MIC	R 0614	88-118-471-080	0E	C-RES, S 470-1/10W J	HTNM	AV-D37
X	MIC	R 0615	88-118-273-080	0E	C-RES, S 27K-1/10W J	HCNM	AV-D37
X	MIC	R 0615	88-118-273-080	0E	C-RES, S 27K-1/10W J	HRJNM	AV-D37
X	MIC	R 0615	88-118-273-080	0E	C-RES, S 27K-1/10W J	HTNM	AV-D37
X	MIC	SLD0601	8Z-AR1-211-010	0E	PLATE, SHIELD MIC	HCNM	AV-D37
X	MIC	SLD0601	8Z-AR1-211-010	0E	PLATE, SHIELD MIC	HRJNM	AV-D37
X	MIC	SLD0601	8Z-AR1-211-010	0E	PLATE, SHIELD MIC	HTNM	AV-D37
X	MICON	*	8A-AR4-611-110	1D	PWB, FRONT 2M	HCNM	AV-D37
X	MICON	*	8A-AR4-611-110	1D	PWB, FRONT 2M	HRJNM	AV-D37
X	MICON	*	8A-AR4-611-110	1D	PWB, FRONT 2M	HTNM	AV-D37
O	MICON	C 0707	87-010-382-040	0E	CAP, E 22-25 M 11L SME	HCNM	AV-D37
O	MICON	C 0707	87-010-382-040	0E	CAP, E 22-25 M 11L SME	HRJNM	AV-D37
O	MICON	C 0707	87-010-382-040	0E	CAP, E 22-25 M 11L SME	HTNM	AV-D37
O	MICON	C 0708	87-010-382-040	0E	CAP, E 22-25 M 11L SME	HCNM	AV-D37
O	MICON	C 0708	87-010-382-040	0E	CAP, E 22-25 M 11L SME	HRJNM	AV-D37
O	MICON	C 0708	87-010-382-040	0E	CAP, E 22-25 M 11L SME	HTNM	AV-D37
O	MICON	C 0709	87-010-382-040	0E	CAP, E 22-25 M 11L SME	HCNM	AV-D37

# PARTS LIST

! =  $\Delta$  SAFTY PARTS  
 C = Components marked

All components used on this model at the production line are shown in this service manual.

However, please note that not all components will be available as spare parts for after-sales service.

Components marked S and O are designated as spare parts for service and will be stocked at the spare parts centers.

Components marked X and R are not designated as spare parts for after sales service, and will not be stocked at the spare parts centers.

K NO. = Only use Japanese.

! C	UNIT NAME	REF NO.	PARTS CODE	K NO.	DESCRIPTION	SUFFIX	MODEL NAME
O	MICON	C 0709	87-010-382-040	0E	CAP,E 22-25 M 11L SME	HRJNM	AV-D37
O	MICON	C 0709	87-010-382-040	0E	CAP,E 22-25 M 11L SME	HTNM	AV-D37
O	MICON	C 0710	87-010-382-040	0E	CAP,E 22-25 M 11L SME	HCNM	AV-D37
O	MICON	C 0710	87-010-382-040	0E	CAP,E 22-25 M 11L SME	HRJNM	AV-D37
O	MICON	C 0710	87-010-382-040	0E	CAP,E 22-25 M 11L SME	HTNM	AV-D37
O	MICON	C 0711	87-010-263-040	0E	CAP,E 100-10 M 11L SME	HCNM	AV-D37
O	MICON	C 0711	87-010-263-040	0E	CAP,E 100-10 M 11L SME	HRJNM	AV-D37
O	MICON	C 0711	87-010-263-040	0E	CAP,E 100-10 M 11L SME	HTNM	AV-D37
O	MICON	C 0712	87-010-382-040	0E	CAP,E 22-25 M 11L SME	HCNM	AV-D37
O	MICON	C 0712	87-010-382-040	0E	CAP,E 22-25 M 11L SME	HRJNM	AV-D37
O	MICON	C 0712	87-010-382-040	0E	CAP,E 22-25 M 11L SME	HTNM	AV-D37
O	MICON	C 0714	87-010-560-040	0E	CAP,E 10-50 M 5L MA	HCNM	AV-D37
O	MICON	C 0714	87-010-560-040	0E	CAP,E 10-50 M 5L MA	HRJNM	AV-D37
O	MICON	C 0714	87-010-560-040	0E	CAP,E 10-50 M 5L MA	HTNM	AV-D37
O	MICON	C 0723	87-010-405-040	0E	CAP,E 10-50 M 11L SME	HCNM	AV-D37
O	MICON	C 0723	87-010-405-040	0E	CAP,E 10-50 M 11L SME	HRJNM	AV-D37
O	MICON	C 0723	87-010-405-040	0E	CAP,E 10-50 M 11L SME	HTNM	AV-D37
O	MICON	C 0801	87-010-322-080	0E	C-CAP,S 100P-50 J CH GRM	HCNM	AV-D37
O	MICON	C 0801	87-010-322-080	0E	C-CAP,S 100P-50 J CH GRM	HRJNM	AV-D37
O	MICON	C 0801	87-010-322-080	0E	C-CAP,S 100P-50 J CH GRM	HTNM	AV-D37
O	MICON	C 0803	87-010-196-080	0E	C-CAP,S 0.1-25 Z F C2012	HCNM	AV-D37
O	MICON	C 0803	87-010-196-080	0E	C-CAP,S 0.1-25 Z F C2012	HRJNM	AV-D37
O	MICON	C 0803	87-010-196-080	0E	C-CAP,S 0.1-25 Z F C2012	HTNM	AV-D37
O	MICON	C 0805	87-010-198-080	0E	C-CAP,S 0.022-25 K B C2012	HCNM	AV-D37
O	MICON	C 0805	87-010-198-080	0E	C-CAP,S 0.022-25 K B C2012	HRJNM	AV-D37
O	MICON	C 0805	87-010-198-080	0E	C-CAP,S 0.022-25 K B C2012	HTNM	AV-D37
O	MICON	C 0806	87-010-400-040	0E	CAP,E 0.47-50 M 11L SME	HCNM	AV-D37
O	MICON	C 0806	87-010-400-040	0E	CAP,E 0.47-50 M 11L SME	HRJNM	AV-D37
O	MICON	C 0806	87-010-400-040	0E	CAP,E 0.47-50 M 11L SME	HTNM	AV-D37
O	MICON	C 0807	87-010-196-080	0E	C-CAP,S 0.1-25 Z F C2012	HCNM	AV-D37
O	MICON	C 0807	87-010-196-080	0E	C-CAP,S 0.1-25 Z F C2012	HRJNM	AV-D37
O	MICON	C 0807	87-010-196-080	0E	C-CAP,S 0.1-25 Z F C2012	HTNM	AV-D37
O	MICON	C 0808	87-010-498-040	0E	CAP,E 10-16 M 5L SRE	HCNM	AV-D37
O	MICON	C 0808	87-010-498-040	0E	CAP,E 10-16 M 5L SRE	HRJNM	AV-D37
O	MICON	C 0808	87-010-498-040	0E	CAP,E 10-16 M 5L SRE	HTNM	AV-D37
O	MICON	C 0809	87-010-196-080	0E	C-CAP,S 0.1-25 Z F C2012	HCNM	AV-D37
O	MICON	C 0809	87-010-196-080	0E	C-CAP,S 0.1-25 Z F C2012	HRJNM	AV-D37
O	MICON	C 0809	87-010-196-080	0E	C-CAP,S 0.1-25 Z F C2012	HTNM	AV-D37
O	MICON	C 0810	87-010-196-080	0E	C-CAP,S 0.1-25 Z F C2012	HCNM	AV-D37
O	MICON	C 0810	87-010-196-080	0E	C-CAP,S 0.1-25 Z F C2012	HRJNM	AV-D37
O	MICON	C 0810	87-010-196-080	0E	C-CAP,S 0.1-25 Z F C2012	HTNM	AV-D37
O	MICON	C 0811	87-A10-189-040	0E	CAP,E 220-10 M 5L	HCNM	AV-D37
O	MICON	C 0811	87-A10-189-040	0E	CAP,E 220-10 M 5L	HRJNM	AV-D37
O	MICON	C 0811	87-A10-189-040	0E	CAP,E 220-10 M 5L	HTNM	AV-D37
O	MICON	C 0812	87-A10-189-040	0E	CAP,E 220-10 M 5L	HCNM	AV-D37
O	MICON	C 0812	87-A10-189-040	0E	CAP,E 220-10 M 5L	HRJNM	AV-D37
O	MICON	C 0812	87-A10-189-040	0E	CAP,E 220-10 M 5L	HTNM	AV-D37
O	MICON	C 0813	87-010-401-040	0E	CAP,E 1-50 M 11L SME	HCNM	AV-D37
O	MICON	C 0813	87-010-401-040	0E	CAP,E 1-50 M 11L SME	HRJNM	AV-D37
O	MICON	C 0813	87-010-401-040	0E	CAP,E 1-50 M 11L SME	HTNM	AV-D37
O	MICON	C 0814	87-010-178-080	0E	C-CAP,S 1000P-50 K B C2012	HCNM	AV-D37
O	MICON	C 0814	87-010-178-080	0E	C-CAP,S 1000P-50 K B C2012	HRJNM	AV-D37
O	MICON	C 0814	87-010-178-080	0E	C-CAP,S 1000P-50 K B C2012	HTNM	AV-D37
O	MICON	C 0815	87-010-196-080	0E	C-CAP,S 0.1-25 Z F C2012	HCNM	AV-D37
O	MICON	C 0815	87-010-196-080	0E	C-CAP,S 0.1-25 Z F C2012	HRJNM	AV-D37
O	MICON	C 0815	87-010-196-080	0E	C-CAP,S 0.1-25 Z F C2012	HTNM	AV-D37
O	MICON	C 0816	87-010-312-080	0E	C-CAP,S 15P-50 J CH GRM	HCNM	AV-D37
O	MICON	C 0816	87-010-312-080	0E	C-CAP,S 15P-50 J CH GRM	HRJNM	AV-D37
O	MICON	C 0816	87-010-312-080	0E	C-CAP,S 15P-50 J CH GRM	HTNM	AV-D37
O	MICON	C 0817	87-012-155-080	0E	C-CAP,S 180P-50 J CH GRM	HCNM	AV-D37
O	MICON	C 0817	87-012-155-080	0E	C-CAP,S 180P-50 J CH GRM	HRJNM	AV-D37
O	MICON	C 0817	87-012-155-080	0E	C-CAP,S 180P-50 J CH GRM	HTNM	AV-D37
O	MICON	C 0818	87-010-178-080	0E	C-CAP,S 1000P-50 K B C2012	HCNM	AV-D37
O	MICON	C 0818	87-010-178-080	0E	C-CAP,S 1000P-50 K B C2012	HRJNM	AV-D37
O	MICON	C 0818	87-010-178-080	0E	C-CAP,S 1000P-50 K B C2012	HTNM	AV-D37
O	MICON	C 0818	87-010-178-080	0E	C-CAP,S 1000P-50 K B C2012	HCNM	AV-D37
O	MICON	C 0819	87-012-156-080	0E	C-CAP,S 220P-50 J CH GRM	HCNM	AV-D37
O	MICON	C 0819	87-012-156-080	0E	C-CAP,S 220P-50 J CH GRM	HRJNM	AV-D37
O	MICON	C 0819	87-012-156-080	0E	C-CAP,S 220P-50 J CH GRM	HTNM	AV-D37
O	MICON	C 0819	87-012-156-080	0E	C-CAP,S 220P-50 J CH GRM	HCNM	AV-D37
O	MICON	C 0820	87-012-156-080	0E	C-CAP,S 220P-50 J CH GRM	HCNM	AV-D37
O	MICON	C 0820	87-012-156-080	0E	C-CAP,S 220P-50 J CH GRM	HRJNM	AV-D37
O	MICON	C 0820	87-012-156-080	0E	C-CAP,S 220P-50 J CH GRM	HTNM	AV-D37

# PARTS LIST

! =  $\Delta$  SAFTY PARTS  
 C = Components marked

All components used on this model at the production line are shown in this service manual.

However, please note that not all components will be available as spare parts for after-sales service.

Components marked S and O are designated as spare parts for service and will be stocked at the spare parts centers.

Components marked X and R are not designated as spare parts for after sales service, and will not be stocked at the spare parts centers.

K NO. = Only use Japanese.

! C	UNIT NAME	REF NO.	PARTS CODE	K NO.	DESCRIPTION	SUFFIX	MODEL NAME
O	MICON	C 0820	87-012-156-080	0E	C-CAP,S 220P-50 J CH GRM	HTNM	AV-D37
O	MICON	C 0821	87-010-178-080	0E	C-CAP,S 1000P-50 K B C2012	HCNM	AV-D37
O	MICON	C 0821	87-010-178-080	0E	C-CAP,S 1000P-50 K B C2012	HRJNM	AV-D37
O	MICON	C 0821	87-010-178-080	0E	C-CAP,S 1000P-50 K B C2012	HTNM	AV-D37
O	MICON	C 0822	87-010-182-080	0E	C-CAP,S 2200P-50 K B C2012	HCNM	AV-D37
O	MICON	C 0822	87-010-182-080	0E	C-CAP,S 2200P-50 K B C2012	HRJNM	AV-D37
O	MICON	C 0822	87-010-182-080	0E	C-CAP,S 2200P-50 K B C2012	HTNM	AV-D37
O	MICON	C 0823	87-010-182-080	0E	C-CAP,S 2200P-50 K B C2012	HCNM	AV-D37
O	MICON	C 0823	87-010-182-080	0E	C-CAP,S 2200P-50 K B C2012	HRJNM	AV-D37
O	MICON	C 0823	87-010-182-080	0E	C-CAP,S 2200P-50 K B C2012	HTNM	AV-D37
O	MICON	C 0824	87-010-182-080	0E	C-CAP,S 2200P-50 K B C2012	HCNM	AV-D37
O	MICON	C 0824	87-010-182-080	0E	C-CAP,S 2200P-50 K B C2012	HRJNM	AV-D37
O	MICON	C 0824	87-010-182-080	0E	C-CAP,S 2200P-50 K B C2012	HTNM	AV-D37
O	MICON	C 0825	87-010-196-080	0E	C-CAP,S 0.1-25 Z F C2012	HCNM	AV-D37
O	MICON	C 0825	87-010-196-080	0E	C-CAP,S 0.1-25 Z F C2012	HRJNM	AV-D37
O	MICON	C 0825	87-010-196-080	0E	C-CAP,S 0.1-25 Z F C2012	HTNM	AV-D37
O	MICON	C 0826	87-010-405-040	0E	CAP,E 10-50 M 11L SME	HCNM	AV-D37
O	MICON	C 0826	87-010-405-040	0E	CAP,E 10-50 M 11L SME	HRJNM	AV-D37
O	MICON	C 0826	87-010-405-040	0E	CAP,E 10-50 M 11L SME	HTNM	AV-D37
O	MICON	C 0827	87-010-198-080	0E	C-CAP,S 0.022-25 K B C2012	HCNM	AV-D37
O	MICON	C 0827	87-010-198-080	0E	C-CAP,S 0.022-25 K B C2012	HRJNM	AV-D37
O	MICON	C 0827	87-010-198-080	0E	C-CAP,S 0.022-25 K B C2012	HTNM	AV-D37
O	MICON	C 0829	87-012-156-080	0E	C-CAP,S 220P-50 J CH GRM	HCNM	AV-D37
O	MICON	C 0829	87-012-156-080	0E	C-CAP,S 220P-50 J CH GRM	HRJNM	AV-D37
O	MICON	C 0829	87-012-156-080	0E	C-CAP,S 220P-50 J CH GRM	HTNM	AV-D37
O	MICON	C 0831	87-A10-189-040	0E	CAP,E 220-10 M 5L	HCNM	AV-D37
O	MICON	C 0831	87-A10-189-040	0E	CAP,E 220-10 M 5L	HRJNM	AV-D37
O	MICON	C 0831	87-A10-189-040	0E	CAP,E 220-10 M 5L	HTNM	AV-D37
O	MICON	C 0832	87-010-196-080	0E	C-CAP,S 0.1-25 Z F C2012	HCNM	AV-D37
O	MICON	C 0832	87-010-196-080	0E	C-CAP,S 0.1-25 Z F C2012	HRJNM	AV-D37
O	MICON	C 0832	87-010-196-080	0E	C-CAP,S 0.1-25 Z F C2012	HTNM	AV-D37
O	MICON	C 0833	87-012-368-080	0E	C-CAP,S 0.1-50 Z F	HCNM	AV-D37
O	MICON	C 0833	87-012-368-080	0E	C-CAP,S 0.1-50 Z F	HRJNM	AV-D37
O	MICON	C 0833	87-012-368-080	0E	C-CAP,S 0.1-50 Z F	HTNM	AV-D37
O	MICON	C 0834	87-012-368-080	0E	C-CAP,S 0.1-50 Z F	HCNM	AV-D37
O	MICON	C 0834	87-012-368-080	0E	C-CAP,S 0.1-50 Z F	HRJNM	AV-D37
O	MICON	C 0834	87-012-368-080	0E	C-CAP,S 0.1-50 Z F	HTNM	AV-D37
O	MICON	C 0835	87-012-368-080	0E	C-CAP,S 0.1-50 Z F	HCNM	AV-D37
O	MICON	C 0835	87-012-368-080	0E	C-CAP,S 0.1-50 Z F	HRJNM	AV-D37
O	MICON	C 0835	87-012-368-080	0E	C-CAP,S 0.1-50 Z F	HTNM	AV-D37
O	MICON	C 0836	87-012-157-080	0E	C-CAP,S 330P-50 J CH GRM	HCNM	AV-D37
O	MICON	C 0836	87-012-157-080	0E	C-CAP,S 330P-50 J CH GRM	HRJNM	AV-D37
O	MICON	C 0836	87-012-157-080	0E	C-CAP,S 330P-50 J CH GRM	HTNM	AV-D37
O	MICON	C 0837	87-012-157-080	0E	C-CAP,S 330P-50 J CH GRM	HCNM	AV-D37
O	MICON	C 0837	87-012-157-080	0E	C-CAP,S 330P-50 J CH GRM	HRJNM	AV-D37
O	MICON	C 0837	87-012-157-080	0E	C-CAP,S 330P-50 J CH GRM	HTNM	AV-D37
O	MICON	C 0838	87-012-157-080	0E	C-CAP,S 330P-50 J CH GRM	HCNM	AV-D37
O	MICON	C 0838	87-012-157-080	0E	C-CAP,S 330P-50 J CH GRM	HRJNM	AV-D37
O	MICON	C 0838	87-012-157-080	0E	C-CAP,S 330P-50 J CH GRM	HTNM	AV-D37
O	MICON	C 0839	87-012-157-080	0E	C-CAP,S 330P-50 J CH GRM	HCNM	AV-D37
O	MICON	C 0839	87-012-157-080	0E	C-CAP,S 330P-50 J CH GRM	HRJNM	AV-D37
O	MICON	C 0839	87-012-157-080	0E	C-CAP,S 330P-50 J CH GRM	HTNM	AV-D37
O	MICON	C 0840	87-012-157-080	0E	C-CAP,S 330P-50 J CH GRM	HCNM	AV-D37
O	MICON	C 0840	87-012-157-080	0E	C-CAP,S 330P-50 J CH GRM	HRJNM	AV-D37
O	MICON	C 0840	87-012-157-080	0E	C-CAP,S 330P-50 J CH GRM	HTNM	AV-D37
O	MICON	C 0841	87-012-157-080	0E	C-CAP,S 330P-50 J CH GRM	HCNM	AV-D37
O	MICON	C 0841	87-012-157-080	0E	C-CAP,S 330P-50 J CH GRM	HRJNM	AV-D37
O	MICON	C 0841	87-012-157-080	0E	C-CAP,S 330P-50 J CH GRM	HTNM	AV-D37
O	MICON	C 0842	87-012-157-080	0E	C-CAP,S 330P-50 J CH GRM	HCNM	AV-D37
O	MICON	C 0842	87-012-157-080	0E	C-CAP,S 330P-50 J CH GRM	HRJNM	AV-D37
O	MICON	C 0842	87-012-157-080	0E	C-CAP,S 330P-50 J CH GRM	HTNM	AV-D37
O	MICON	C 0843	87-012-157-080	0E	C-CAP,S 330P-50 J CH GRM	HCNM	AV-D37
O	MICON	C 0843	87-012-157-080	0E	C-CAP,S 330P-50 J CH GRM	HRJNM	AV-D37
O	MICON	C 0843	87-012-157-080	0E	C-CAP,S 330P-50 J CH GRM	HTNM	AV-D37
O	MICON	C 0844	87-012-157-080	0E	C-CAP,S 330P-50 J CH GRM	HCNM	AV-D37
O	MICON	C 0844	87-012-157-080	0E	C-CAP,S 330P-50 J CH GRM	HRJNM	AV-D37
O	MICON	C 0844	87-012-157-080	0E	C-CAP,S 330P-50 J CH GRM	HTNM	AV-D37
O	MICON	C 0845	87-012-157-080	0E	C-CAP,S 330P-50 J CH GRM	HCNM	AV-D37
O	MICON	C 0845	87-012-157-080	0E	C-CAP,S 330P-50 J CH GRM	HRJNM	AV-D37
O	MICON	C 0845	87-012-157-080	0E	C-CAP,S 330P-50 J CH GRM	HTNM	AV-D37

# PARTS LIST

! =  $\Delta$  SAFTY PARTS  
 C = Components marked

All components used on this model at the production line are shown in this service manual.

However, please note that not all components will be available as spare parts for after-sales service.

Components marked S and O are designated as spare parts for service and will be stocked at the spare parts centers.

Components marked X and R are not designated as spare parts for after sales service, and will not be stocked at the spare parts centers.

K NO. = Only use japanese.

! C	UNIT NAME	REF NO.	PARTS CODE	K NO.	DESCRIPTION	SUFFIX	MODEL NAME	
O	MICON	C	0846	87-012-157-080	0E	C-CAP,S 330P-50 J CH GRM	HCNM	AV-D37
O	MICON	C	0846	87-012-157-080	0E	C-CAP,S 330P-50 J CH GRM	HRJNM	AV-D37
O	MICON	C	0846	87-012-157-080	0E	C-CAP,S 330P-50 J CH GRM	HTNM	AV-D37
O	MICON	C	0847	87-015-699-040	0E	CAP,E 10-50 M 7L SRA	HCNM	AV-D37
O	MICON	C	0847	87-015-699-040	0E	CAP,E 10-50 M 7L SRA	HRJNM	AV-D37
O	MICON	C	0847	87-015-699-040	0E	CAP,E 10-50 M 7L SRA	HTNM	AV-D37
O	MICON	C	0848	87-010-405-040	0E	CAP,E 10-50 M 11L SME	HCNM	AV-D37
O	MICON	C	0848	87-010-405-040	0E	CAP,E 10-50 M 11L SME	HRJNM	AV-D37
O	MICON	C	0848	87-010-405-040	0E	CAP,E 10-50 M 11L SME	HTNM	AV-D37
O	MICON	C	0849	87-012-368-080	0E	C-CAP,S 0.1-50 Z F	HCNM	AV-D37
O	MICON	C	0849	87-012-368-080	0E	C-CAP,S 0.1-50 Z F	HRJNM	AV-D37
O	MICON	C	0849	87-012-368-080	0E	C-CAP,S 0.1-50 Z F	HTNM	AV-D37
O	MICON	C	0850	87-010-408-040	0E	CAP,E 47-50 M 11L SME	HCNM	AV-D37
O	MICON	C	0850	87-010-408-040	0E	CAP,E 47-50 M 11L SME	HRJNM	AV-D37
O	MICON	C	0850	87-010-408-040	0E	CAP,E 47-50 M 11L SME	HTNM	AV-D37
O	MICON	C	0852	87-010-560-040	0E	CAP,E 10-50 M 5L MA	HCNM	AV-D37
O	MICON	C	0852	87-010-560-040	0E	CAP,E 10-50 M 5L MA	HRJNM	AV-D37
O	MICON	C	0852	87-010-560-040	0E	CAP,E 10-50 M 5L MA	HTNM	AV-D37
O	MICON	C	0863	87-010-178-080	0E	C-CAP,S 1000P-50 K B C2012	HCNM	AV-D37
O	MICON	C	0863	87-010-178-080	0E	C-CAP,S 1000P-50 K B C2012	HRJNM	AV-D37
O	MICON	C	0863	87-010-178-080	0E	C-CAP,S 1000P-50 K B C2012	HTNM	AV-D37
O	MICON	C	0864	87-012-157-080	0E	C-CAP,S 330P-50 J CH GRM	HCNM	AV-D37
O	MICON	C	0864	87-012-157-080	0E	C-CAP,S 330P-50 J CH GRM	HRJNM	AV-D37
O	MICON	C	0864	87-012-157-080	0E	C-CAP,S 330P-50 J CH GRM	HTNM	AV-D37
O	MICON	C	0866	87-012-140-080	0E	C-CAP,S 470P-50 J CH	HCNM	AV-D37
O	MICON	C	0866	87-012-140-080	0E	C-CAP,S 470P-50 J CH	HRJNM	AV-D37
O	MICON	C	0866	87-012-140-080	0E	C-CAP,S 470P-50 J CH	HTNM	AV-D37
O	MICON	C	0867	87-010-196-080	0E	C-CAP,S 0.1-25 Z F C2012	HCNM	AV-D37
O	MICON	C	0867	87-010-196-080	0E	C-CAP,S 0.1-25 Z F C2012	HRJNM	AV-D37
O	MICON	C	0867	87-010-196-080	0E	C-CAP,S 0.1-25 Z F C2012	HTNM	AV-D37
!	O MICON	CN	0801	87-A60-079-010	0E	CONN,08P H 9604S-08F	HCNM	AV-D37
!	O MICON	CN	0801	87-A60-079-010	0E	CONN,08P H 9604S-08F	HRJNM	AV-D37
!	O MICON	CN	0801	87-A60-079-010	0E	CONN,08P H 9604S-08F	HTNM	AV-D37
!	O MICON	CN	0802	87-A60-064-010	1A	CONN,32P H 9604S-32F	HCNM	AV-D37
!	O MICON	CN	0802	87-A60-064-010	1A	CONN,32P H 9604S-32F	HRJNM	AV-D37
!	O MICON	CN	0802	87-A60-064-010	1A	CONN,32P H 9604S-32F	HTNM	AV-D37
!	O MICON	CN	0803	87-A60-081-010	0E	CONN,06P H 9604S-06F	HCNM	AV-D37
!	O MICON	CN	0803	87-A60-081-010	0E	CONN,06P H 9604S-06F	HRJNM	AV-D37
!	O MICON	CN	0803	87-A60-081-010	0E	CONN,06P H 9604S-06F	HTNM	AV-D37
O	MICON	CN	0805	87-099-757-010	0E	CONN,16P H 9604	HCNM	AV-D37
O	MICON	CN	0805	87-099-757-010	0E	CONN,16P H 9604	HRJNM	AV-D37
O	MICON	CN	0805	87-099-757-010	0E	CONN,16P H 9604	HTNM	AV-D37
S	MICON	D	0707	87-020-465-080	0E	DIODE,1SS133	HCNM	AV-D37
S	MICON	D	0707	87-020-465-080	0E	DIODE,1SS133	HRJNM	AV-D37
S	MICON	D	0707	87-020-465-080	0E	DIODE,1SS133	HTNM	AV-D37
S	MICON	D	0708	87-020-465-080	0E	DIODE,1SS133	HCNM	AV-D37
S	MICON	D	0708	87-020-465-080	0E	DIODE,1SS133	HRJNM	AV-D37
S	MICON	D	0708	87-020-465-080	0E	DIODE,1SS133	HTNM	AV-D37
S	MICON	D	0709	87-020-465-080	0E	DIODE,1SS133	HCNM	AV-D37
S	MICON	D	0709	87-020-465-080	0E	DIODE,1SS133	HRJNM	AV-D37
S	MICON	D	0709	87-020-465-080	0E	DIODE,1SS133	HTNM	AV-D37
S	MICON	D	0710	87-020-465-080	0E	DIODE,1SS133	HCNM	AV-D37
S	MICON	D	0710	87-020-465-080	0E	DIODE,1SS133	HRJNM	AV-D37
S	MICON	D	0710	87-020-465-080	0E	DIODE,1SS133	HTNM	AV-D37
S	MICON	D	0721	87-070-136-080	0E	ZENER,MTZJ5.1B	HCNM	AV-D37
S	MICON	D	0721	87-070-136-080	0E	ZENER,MTZJ5.1B	HRJNM	AV-D37
S	MICON	D	0721	87-070-136-080	0E	ZENER,MTZJ5.1B	HTNM	AV-D37
X	MICON	D	0801	88-100-000-010	0E	PLATING-JW, 0.58 SN95	HCNM	AV-D37
X	MICON	D	0801	88-100-000-010	0E	PLATING-JW, 0.58 SN95	HRJNM	AV-D37
X	MICON	D	0801	88-100-000-010	0E	PLATING-JW, 0.58 SN95	HTNM	AV-D37
S	MICON	D	0802	87-020-465-080	0E	DIODE,1SS133	HCNM	AV-D37
S	MICON	D	0802	87-020-465-080	0E	DIODE,1SS133	HRJNM	AV-D37
S	MICON	D	0802	87-020-465-080	0E	DIODE,1SS133	HTNM	AV-D37
S	MICON	D	0803	87-020-465-080	0E	DIODE,1SS133	HCNM	AV-D37
S	MICON	D	0803	87-020-465-080	0E	DIODE,1SS133	HRJNM	AV-D37
S	MICON	D	0803	87-020-465-080	0E	DIODE,1SS133	HTNM	AV-D37
S	MICON	D	0804	87-020-465-080	0E	DIODE,1SS133	HCNM	AV-D37
S	MICON	D	0804	87-020-465-080	0E	DIODE,1SS133	HRJNM	AV-D37
S	MICON	D	0804	87-020-465-080	0E	DIODE,1SS133	HTNM	AV-D37
S	MICON	D	0805	87-A40-344-080	0E	ZENER,MTZJ6.2C	HCNM	AV-D37

# PARTS LIST

! =  $\Delta$  SAFTY PARTS  
 C = Components marked

All components used on this model at the production line are shown in this service manual.

However, please note that not all components will be available as spare parts for after-sales service.

Components marked S and O are designated as spare parts for service and will be stocked at the spare parts centers.

Components marked X and R are not designated as spare parts for after sales service, and will not be stocked at the spare parts centers.

K NO. = Only use japanese.

! C	UNIT NAME	REF NO.	PARTS CODE	K NO.	DESCRIPTION	SUFFIX	MODEL NAME
S	MICON	D 0805	87-A40-344-080	0E	ZENER,MTZJ6.2C	HRJNM	AV-D37
S	MICON	D 0805	87-A40-344-080	0E	ZENER,MTZJ6.2C	HTNM	AV-D37
X	MICON	D 0807	88-100-000-010	0E	PLATING-JW, 0.58 SN95	HCNM	AV-D37
X	MICON	D 0807	88-100-000-010	0E	PLATING-JW, 0.58 SN95	HRJNM	AV-D37
X	MICON	D 0807	88-100-000-010	0E	PLATING-JW, 0.58 SN95	HTNM	AV-D37
S	MICON	D 0813	87-020-465-080	0E	DIODE,1SS133	HCNM	AV-D37
S	MICON	D 0813	87-020-465-080	0E	DIODE,1SS133	HRJNM	AV-D37
S	MICON	D 0813	87-020-465-080	0E	DIODE,1SS133	HTNM	AV-D37
S	MICON	D 0816	87-020-465-080	0E	DIODE,1SS133	HCNM	AV-D37
S	MICON	D 0816	87-020-465-080	0E	DIODE,1SS133	HRJNM	AV-D37
S	MICON	D 0816	87-020-465-080	0E	DIODE,1SS133	HTNM	AV-D37
S	MICON	D 0819	87-020-465-080	0E	DIODE,1SS133	HCNM	AV-D37
S	MICON	D 0819	87-020-465-080	0E	DIODE,1SS133	HRJNM	AV-D37
S	MICON	D 0819	87-020-465-080	0E	DIODE,1SS133	HTNM	AV-D37
S	MICON	D 0820	87-020-465-080	0E	DIODE,1SS133	HCNM	AV-D37
S	MICON	D 0820	87-020-465-080	0E	DIODE,1SS133	HRJNM	AV-D37
S	MICON	D 0820	87-020-465-080	0E	DIODE,1SS133	HTNM	AV-D37
S	MICON	D 0821	87-020-465-080	0E	DIODE,1SS133	HCNM	AV-D37
S	MICON	D 0821	87-020-465-080	0E	DIODE,1SS133	HRJNM	AV-D37
S	MICON	D 0821	87-020-465-080	0E	DIODE,1SS133	HTNM	AV-D37
S	MICON	D 0822	87-020-465-080	0E	DIODE,1SS133	HCNM	AV-D37
S	MICON	D 0822	87-020-465-080	0E	DIODE,1SS133	HRJNM	AV-D37
S	MICON	D 0822	87-020-465-080	0E	DIODE,1SS133	HTNM	AV-D37
S	MICON	D 0823	87-020-465-080	0E	DIODE,1SS133	HCNM	AV-D37
S	MICON	D 0823	87-020-465-080	0E	DIODE,1SS133	HRJNM	AV-D37
S	MICON	D 0823	87-020-465-080	0E	DIODE,1SS133	HTNM	AV-D37
S	MICON	D 0824	87-020-465-080	0E	DIODE,1SS133	HCNM	AV-D37
S	MICON	D 0824	87-020-465-080	0E	DIODE,1SS133	HRJNM	AV-D37
S	MICON	D 0824	87-020-465-080	0E	DIODE,1SS133	HTNM	AV-D37
S	MICON	D 0825	87-020-465-080	0E	DIODE,1SS133	HCNM	AV-D37
S	MICON	D 0825	87-020-465-080	0E	DIODE,1SS133	HRJNM	AV-D37
S	MICON	D 0825	87-020-465-080	0E	DIODE,1SS133	HTNM	AV-D37
O	MICON	FL 0801	8A-AR1-602-010	2Y	FL,BJ759GK	HCNM	AV-D37
O	MICON	FL 0801	8A-AR1-602-010	2Y	FL,BJ759GK	HRJNM	AV-D37
O	MICON	FL 0801	8A-AR1-602-010	2Y	FL,BJ759GK	HTNM	AV-D37
S	MICON	IC 0701	87-A21-481-040	1B	C-IC,HD74HC4051FP	HCNM	AV-D37
S	MICON	IC 0701	87-A21-481-040	1B	C-IC,HD74HC4051FP	HRJNM	AV-D37
S	MICON	IC 0701	87-A21-481-040	1B	C-IC,HD74HC4051FP	HTNM	AV-D37
S	MICON	IC 0801	8A-AR4-601-010	1H	C-IC,UPD780228GF-067	HCNM	AV-D37
S	MICON	IC 0801	8A-AR4-601-110	1H	C-IC,UPD780228GF-070	HRJNM	AV-D37
S	MICON	IC 0801	8A-AR4-601-110	1H	C-IC,UPD780228GF-070	HTNM	AV-D37
S	MICON	IC 0802	87-070-083-010	1C	IC,GP1U281X	HCNM	AV-D37
S	MICON	IC 0802	87-070-083-010	1C	IC,GP1U281X	HRJNM	AV-D37
S	MICON	IC 0802	87-070-083-010	1C	IC,GP1U281X	HTNM	AV-D37
X	MICON	JR 0801	88-129-000-080	0E	C-JUMPER,3216	HCNM	AV-D37
X	MICON	JR 0801	88-129-000-080	0E	C-JUMPER,3216	HRJNM	AV-D37
X	MICON	JR 0801	88-129-000-080	0E	C-JUMPER,3216	HTNM	AV-D37
X	MICON	JR 0802	88-129-000-080	0E	C-JUMPER,3216	HCNM	AV-D37
X	MICON	JR 0802	88-129-000-080	0E	C-JUMPER,3216	HRJNM	AV-D37
X	MICON	JR 0802	88-129-000-080	0E	C-JUMPER,3216	HTNM	AV-D37
X	MICON	JR 0803	88-129-000-080	0E	C-JUMPER,3216	HCNM	AV-D37
X	MICON	JR 0803	88-129-000-080	0E	C-JUMPER,3216	HRJNM	AV-D37
X	MICON	JR 0803	88-129-000-080	0E	C-JUMPER,3216	HTNM	AV-D37
X	MICON	JR 0804	88-129-000-080	0E	C-JUMPER,3216	HCNM	AV-D37
X	MICON	JR 0804	88-129-000-080	0E	C-JUMPER,3216	HRJNM	AV-D37
X	MICON	JR 0804	88-129-000-080	0E	C-JUMPER,3216	HTNM	AV-D37
X	MICON	JR 0805	88-129-000-080	0E	C-JUMPER,3216	HCNM	AV-D37
X	MICON	JR 0805	88-129-000-080	0E	C-JUMPER,3216	HRJNM	AV-D37
X	MICON	JR 0805	88-129-000-080	0E	C-JUMPER,3216	HTNM	AV-D37
X	MICON	JR 0806	88-129-000-080	0E	C-JUMPER,3216	HCNM	AV-D37
X	MICON	JR 0806	88-129-000-080	0E	C-JUMPER,3216	HRJNM	AV-D37
X	MICON	JR 0806	88-129-000-080	0E	C-JUMPER,3216	HTNM	AV-D37
X	MICON	JR 0807	88-129-000-080	0E	C-JUMPER,3216	HCNM	AV-D37
X	MICON	JR 0807	88-129-000-080	0E	C-JUMPER,3216	HRJNM	AV-D37
X	MICON	JR 0807	88-129-000-080	0E	C-JUMPER,3216	HTNM	AV-D37
X	MICON	JR 0808	88-129-000-080	0E	C-JUMPER,3216	HCNM	AV-D37
X	MICON	JR 0808	88-129-000-080	0E	C-JUMPER,3216	HRJNM	AV-D37
X	MICON	JR 0808	88-129-000-080	0E	C-JUMPER,3216	HTNM	AV-D37
X	MICON	JR 0809	88-129-000-080	0E	C-JUMPER,3216	HCNM	AV-D37
X	MICON	JR 0809	88-129-000-080	0E	C-JUMPER,3216	HRJNM	AV-D37
X	MICON	JR 0809	88-129-000-080	0E	C-JUMPER,3216	HTNM	AV-D37

# PARTS LIST

! =  $\Delta$  SAFTY PARTS  
 C = Components marked

All components used on this model at the production line are shown in this service manual.

However, please note that not all components will be available as spare parts for after-sales service.

Components marked S and O are designated as spare parts for service and will be stocked at the spare parts centers.

Components marked X and R are not designated as spare parts for after sales service, and will not be stocked at the spare parts centers.

K NO. = Only use japanese.

! C	UNIT NAME	REF NO.	PARTS CODE	K NO.	DESCRIPTION	SUFFIX	MODEL NAME
X	MICON	JR 0809	88-129-000-080	0E	C-JUMPER, 3216	HTNM	AV-D37
X	MICON	JR 0810	88-129-000-080	0E	C-JUMPER, 3216	HCNM	AV-D37
X	MICON	JR 0810	88-129-000-080	0E	C-JUMPER, 3216	HRJNM	AV-D37
X	MICON	JR 0810	88-129-000-080	0E	C-JUMPER, 3216	HTNM	AV-D37
X	MICON	JR 0811	88-129-000-080	0E	C-JUMPER, 3216	HCNM	AV-D37
X	MICON	JR 0811	88-129-000-080	0E	C-JUMPER, 3216	HRJNM	AV-D37
X	MICON	JR 0811	88-129-000-080	0E	C-JUMPER, 3216	HTNM	AV-D37
X	MICON	JR 0812	88-129-000-080	0E	C-JUMPER, 3216	HCNM	AV-D37
X	MICON	JR 0812	88-129-000-080	0E	C-JUMPER, 3216	HRJNM	AV-D37
X	MICON	JR 0812	88-129-000-080	0E	C-JUMPER, 3216	HTNM	AV-D37
X	MICON	JR 0813	88-129-000-080	0E	C-JUMPER, 3216	HCNM	AV-D37
X	MICON	JR 0813	88-129-000-080	0E	C-JUMPER, 3216	HRJNM	AV-D37
X	MICON	JR 0813	88-129-000-080	0E	C-JUMPER, 3216	HTNM	AV-D37
X	MICON	JR 0815	88-118-000-080	0E	C-JUMPER, S	HCNM	AV-D37
X	MICON	JR 0815	88-118-000-080	0E	C-JUMPER, S	HRJNM	AV-D37
X	MICON	JR 0815	88-118-000-080	0E	C-JUMPER, S	HTNM	AV-D37
X	MICON	JR 0816	88-129-000-080	0E	C-JUMPER, 3216	HCNM	AV-D37
X	MICON	JR 0816	88-129-000-080	0E	C-JUMPER, 3216	HRJNM	AV-D37
X	MICON	JR 0816	88-129-000-080	0E	C-JUMPER, 3216	HTNM	AV-D37
X	MICON	JR 0817	88-129-000-080	0E	C-JUMPER, 3216	HCNM	AV-D37
X	MICON	JR 0817	88-129-000-080	0E	C-JUMPER, 3216	HRJNM	AV-D37
X	MICON	JR 0817	88-129-000-080	0E	C-JUMPER, 3216	HTNM	AV-D37
X	MICON	JR 0818	88-129-000-080	0E	C-JUMPER, 3216	HCNM	AV-D37
X	MICON	JR 0818	88-129-000-080	0E	C-JUMPER, 3216	HRJNM	AV-D37
X	MICON	JR 0818	88-129-000-080	0E	C-JUMPER, 3216	HTNM	AV-D37
X	MICON	JR 0818	88-129-000-080	0E	C-JUMPER, 3216	HCNM	AV-D37
X	MICON	JR 0819	88-129-000-080	0E	C-JUMPER, 3216	HRJNM	AV-D37
X	MICON	JR 0819	88-129-000-080	0E	C-JUMPER, 3216	HTNM	AV-D37
X	MICON	JR 0819	88-129-000-080	0E	C-JUMPER, 3216	HCNM	AV-D37
X	MICON	JR 0820	88-129-000-080	0E	C-JUMPER, 3216	HRJNM	AV-D37
X	MICON	JR 0820	88-129-000-080	0E	C-JUMPER, 3216	HTNM	AV-D37
X	MICON	JR 0820	88-129-000-080	0E	C-JUMPER, 3216	HCNM	AV-D37
X	MICON	JR 0821	88-129-000-080	0E	C-JUMPER, 3216	HTNM	AV-D37
X	MICON	JR 0821	88-129-000-080	0E	C-JUMPER, 3216	HCNM	AV-D37
X	MICON	JR 0821	88-129-000-080	0E	C-JUMPER, 3216	HRJNM	AV-D37
X	MICON	JR 0821	88-129-000-080	0E	C-JUMPER, 3216	HTNM	AV-D37
X	MICON	JR 0822	88-129-000-080	0E	C-JUMPER, 3216	HCNM	AV-D37
X	MICON	JR 0822	88-129-000-080	0E	C-JUMPER, 3216	HRJNM	AV-D37
X	MICON	JR 0822	88-129-000-080	0E	C-JUMPER, 3216	HTNM	AV-D37
X	MICON	JR 0824	88-118-000-080	0E	C-JUMPER, S	HCNM	AV-D37
X	MICON	JR 0824	88-118-000-080	0E	C-JUMPER, S	HRJNM	AV-D37
X	MICON	JR 0824	88-118-000-080	0E	C-JUMPER, S	HTNM	AV-D37
X	MICON	JR 0825	88-118-000-080	0E	C-JUMPER, S	HCNM	AV-D37
X	MICON	JR 0825	88-118-000-080	0E	C-JUMPER, S	HRJNM	AV-D37
X	MICON	JR 0825	88-118-000-080	0E	C-JUMPER, S	HTNM	AV-D37
X	MICON	JR 0827	88-129-000-080	0E	C-JUMPER, 3216	HCNM	AV-D37
X	MICON	JR 0827	88-129-000-080	0E	C-JUMPER, 3216	HRJNM	AV-D37
X	MICON	JR 0827	88-129-000-080	0E	C-JUMPER, 3216	HTNM	AV-D37
X	MICON	JR 0828	88-129-000-080	0E	C-JUMPER, 3216	HCNM	AV-D37
X	MICON	JR 0828	88-129-000-080	0E	C-JUMPER, 3216	HRJNM	AV-D37
X	MICON	JR 0828	88-129-000-080	0E	C-JUMPER, 3216	HTNM	AV-D37
X	MICON	JR 0829	88-118-000-080	0E	C-JUMPER, S	HCNM	AV-D37
X	MICON	JR 0829	88-118-000-080	0E	C-JUMPER, S	HRJNM	AV-D37
X	MICON	JR 0829	88-118-000-080	0E	C-JUMPER, S	HTNM	AV-D37
X	MICON	JR 0830	88-118-000-080	0E	C-JUMPER, S	HCNM	AV-D37
X	MICON	JR 0830	88-118-000-080	0E	C-JUMPER, S	HRJNM	AV-D37
X	MICON	JR 0830	88-118-000-080	0E	C-JUMPER, S	HTNM	AV-D37
X	MICON	JR 0831	88-118-000-080	0E	C-JUMPER, S	HCNM	AV-D37
X	MICON	JR 0831	88-118-000-080	0E	C-JUMPER, S	HRJNM	AV-D37
X	MICON	JR 0831	88-118-000-080	0E	C-JUMPER, S	HTNM	AV-D37
X	MICON	JR 0832	88-129-000-080	0E	C-JUMPER, 3216	HCNM	AV-D37
X	MICON	JR 0832	88-129-000-080	0E	C-JUMPER, 3216	HRJNM	AV-D37
X	MICON	JR 0832	88-129-000-080	0E	C-JUMPER, 3216	HTNM	AV-D37
X	MICON	JR 0833	88-118-000-080	0E	C-JUMPER, S	HCNM	AV-D37
X	MICON	JR 0833	88-118-000-080	0E	C-JUMPER, S	HRJNM	AV-D37
X	MICON	JR 0833	88-118-000-080	0E	C-JUMPER, S	HTNM	AV-D37
X	MICON	JR 0834	88-118-000-080	0E	C-JUMPER, S	HCNM	AV-D37
X	MICON	JR 0834	88-118-000-080	0E	C-JUMPER, S	HRJNM	AV-D37
X	MICON	JR 0834	88-118-000-080	0E	C-JUMPER, S	HTNM	AV-D37
X	MICON	JR 0835	88-118-000-080	0E	C-JUMPER, S	HCNM	AV-D37
X	MICON	JR 0835	88-118-000-080	0E	C-JUMPER, S	HRJNM	AV-D37
X	MICON	JR 0835	88-118-000-080	0E	C-JUMPER, S	HTNM	AV-D37

# PARTS LIST

! =  $\Delta$  SAFTY PARTS  
 C = Components marked

All components used on this model at the production line are shown in this service manual.

However, please note that not all components will be available as spare parts for after-sales service.

Components marked S and O are designated as spare parts for service and will be stocked at the spare parts centers.

Components marked X and R are not designated as spare parts for after sales service, and will not be stocked at the spare parts centers.

K NO. = Only use japanese.

! C	UNIT NAME	REF NO.	PARTS CODE	K NO.	DESCRIPTION	SUFFIX	MODEL NAME
X	MICON	JR 0836	88-118-000-080	0E	C-JUMPER, S	HCNM	AV-D37
X	MICON	JR 0836	88-118-000-080	0E	C-JUMPER, S	HRJNM	AV-D37
X	MICON	JR 0836	88-118-000-080	0E	C-JUMPER, S	HTNM	AV-D37
X	MICON	JR 0839	88-129-000-080	0E	C-JUMPER, 3216	HCNM	AV-D37
X	MICON	JR 0839	88-129-000-080	0E	C-JUMPER, 3216	HRJNM	AV-D37
X	MICON	JR 0839	88-129-000-080	0E	C-JUMPER, 3216	HTNM	AV-D37
X	MICON	JR 0840	88-118-000-080	0E	C-JUMPER, S	HCNM	AV-D37
X	MICON	JR 0840	88-118-000-080	0E	C-JUMPER, S	HRJNM	AV-D37
X	MICON	JR 0840	88-118-000-080	0E	C-JUMPER, S	HTNM	AV-D37
X	MICON	JR 0841	88-118-000-080	0E	C-JUMPER, S	HCNM	AV-D37
X	MICON	JR 0841	88-118-000-080	0E	C-JUMPER, S	HRJNM	AV-D37
X	MICON	JR 0841	88-118-000-080	0E	C-JUMPER, S	HTNM	AV-D37
X	MICON	JR 0866	88-129-000-080	0E	C-JUMPER, 3216	HCNM	AV-D37
X	MICON	JR 0866	88-129-000-080	0E	C-JUMPER, 3216	HRJNM	AV-D37
X	MICON	JR 0866	88-129-000-080	0E	C-JUMPER, 3216	HTNM	AV-D37
X	MICON	JR 0901	88-118-000-080	0E	C-JUMPER, S	HCNM	AV-D37
X	MICON	JR 0901	88-118-000-080	0E	C-JUMPER, S	HRJNM	AV-D37
X	MICON	JR 0901	88-118-000-080	0E	C-JUMPER, S	HTNM	AV-D37
O	MICON	L 0801	87-A50-434-010	0E	COIL, CLK 4.19M(TOKO)	HCNM	AV-D37
O	MICON	L 0801	87-A50-434-010	0E	COIL, CLK 4.19M(TOKO)	HRJNM	AV-D37
O	MICON	L 0801	87-A50-434-010	0E	COIL, CLK 4.19M(TOKO)	HTNM	AV-D37
O	MICON	LED0703	87-A40-317-010	0E	LED, SLR-342VCT31 RED	HCNM	AV-D37
O	MICON	LED0703	87-A40-317-010	0E	LED, SLR-342VCT31 RED	HRJNM	AV-D37
O	MICON	LED0703	87-A40-317-010	0E	LED, SLR-342VCT31 RED	HTNM	AV-D37
O	MICON	LED0704	87-A40-317-080	0E	LED, SLR-342VCT31 RED	HCNM	AV-D37
O	MICON	LED0704	87-A40-317-080	0E	LED, SLR-342VCT31 RED	HRJNM	AV-D37
O	MICON	LED0704	87-A40-317-080	0E	LED, SLR-342VCT31 RED	HTNM	AV-D37
O	MICON	LED0705	87-A40-317-080	0E	LED, SLR-342VCT31 RED	HCNM	AV-D37
O	MICON	LED0705	87-A40-317-080	0E	LED, SLR-342VCT31 RED	HRJNM	AV-D37
O	MICON	LED0705	87-A40-317-080	0E	LED, SLR-342VCT31 RED	HTNM	AV-D37
O	MICON	LED0706	87-A40-317-080	0E	LED, SLR-342VCT31 RED	HCNM	AV-D37
O	MICON	LED0706	87-A40-317-080	0E	LED, SLR-342VCT31 RED	HRJNM	AV-D37
O	MICON	LED0706	87-A40-317-080	0E	LED, SLR-342VCT31 RED	HTNM	AV-D37
O	MICON	LED0707	87-A40-317-080	0E	LED, SLR-342VCT31 RED	HCNM	AV-D37
O	MICON	LED0707	87-A40-317-080	0E	LED, SLR-342VCT31 RED	HRJNM	AV-D37
O	MICON	LED0707	87-A40-317-080	0E	LED, SLR-342VCT31 RED	HTNM	AV-D37
O	MICON	LED0708	87-A40-317-080	0E	LED, SLR-342VCT31 RED	HCNM	AV-D37
O	MICON	LED0708	87-A40-317-080	0E	LED, SLR-342VCT31 RED	HRJNM	AV-D37
O	MICON	LED0708	87-A40-317-080	0E	LED, SLR-342VCT31 RED	HTNM	AV-D37
O	MICON	LED0709	87-A40-317-080	0E	LED, SLR-342VCT31 RED	HCNM	AV-D37
O	MICON	LED0709	87-A40-317-080	0E	LED, SLR-342VCT31 RED	HRJNM	AV-D37
O	MICON	LED0709	87-A40-317-080	0E	LED, SLR-342VCT31 RED	HTNM	AV-D37
O	MICON	LED0710	87-A40-317-080	0E	LED, SLR-342VCT31 RED	HCNM	AV-D37
O	MICON	LED0710	87-A40-317-080	0E	LED, SLR-342VCT31 RED	HRJNM	AV-D37
O	MICON	LED0710	87-A40-317-080	0E	LED, SLR-342VCT31 RED	HTNM	AV-D37
O	MICON	LED0711	87-A40-317-080	0E	LED, SLR-342VCT31 RED	HCNM	AV-D37
O	MICON	LED0711	87-A40-317-080	0E	LED, SLR-342VCT31 RED	HRJNM	AV-D37
O	MICON	LED0711	87-A40-317-080	0E	LED, SLR-342VCT31 RED	HTNM	AV-D37
O	MICON	LED0712	87-A40-317-080	0E	LED, SLR-342VCT31 RED	HCNM	AV-D37
O	MICON	LED0712	87-A40-317-080	0E	LED, SLR-342VCT31 RED	HRJNM	AV-D37
O	MICON	LED0712	87-A40-317-080	0E	LED, SLR-342VCT31 RED	HTNM	AV-D37
O	MICON	PR 0801	88-100-000-010	0E	PLATING-JW, 0.58 SN95	HCNM	AV-D37
X	MICON	PR 0801	88-100-000-010	0E	PLATING-JW, 0.58 SN95	HRJNM	AV-D37
X	MICON	PR 0801	88-100-000-010	0E	PLATING-JW, 0.58 SN95	HTNM	AV-D37
S	MICON	Q 0719	87-A30-071-080	0E	C-TR, RT1N 144C	HCNM	AV-D37
S	MICON	Q 0719	87-A30-071-080	0E	C-TR, RT1N 144C	HRJNM	AV-D37
S	MICON	Q 0719	87-A30-071-080	0E	C-TR, RT1N 144C	HTNM	AV-D37
S	MICON	Q 0801	87-A30-074-080	0E	C-TR, RT1P 141C	HCNM	AV-D37
S	MICON	Q 0801	87-A30-074-080	0E	C-TR, RT1P 141C	HRJNM	AV-D37
S	MICON	Q 0801	87-A30-074-080	0E	C-TR, RT1P 141C	HTNM	AV-D37
S	MICON	Q 0802	87-A30-071-080	0E	C-TR, RT1N 144C	HCNM	AV-D37
S	MICON	Q 0802	87-A30-071-080	0E	C-TR, RT1N 144C	HRJNM	AV-D37
S	MICON	Q 0802	87-A30-071-080	0E	C-TR, RT1N 144C	HTNM	AV-D37
S	MICON	Q 0803	87-A30-076-080	0E	C-TR, 2SC3052F	HCNM	AV-D37
S	MICON	Q 0803	87-A30-076-080	0E	C-TR, 2SC3052F	HRJNM	AV-D37
S	MICON	Q 0803	87-A30-076-080	0E	C-TR, 2SC3052F	HTNM	AV-D37
S	MICON	Q 0804	87-026-610-080	0E	TR, KTC3198GR	HCNM	AV-D37
S	MICON	Q 0804	87-026-610-080	0E	TR, KTC3198GR	HRJNM	AV-D37
S	MICON	Q 0804	87-026-610-080	0E	TR, KTC3198GR	HTNM	AV-D37
S	MICON	Q 0805	87-A30-074-080	0E	C-TR, RT1P 141C	HCNM	AV-D37



# PARTS LIST

! =  $\Delta$  SAFTY PARTS  
 C = Components marked

All components used on this model at the production line are shown in this service manual.

However, please note that not all components will be available as spare parts for after-sales service.

Components marked S and O are designated as spare parts for service and will be stocked at the spare parts centers.

Components marked X and R are not designated as spare parts for after sales service, and will not be stocked at the spare parts centers.

K NO. = Only use japanese.

! C	UNIT NAME	REF NO.	PARTS CODE	K NO.	DESCRIPTION	SUFFIX	MODEL NAME
S	MICON	Q 0805	87-A30-074-080	0E	C-TR,RT1P 141C	HRJNM	AV-D37
S	MICON	Q 0805	87-A30-074-080	0E	C-TR,RT1P 141C	HTNM	AV-D37
S	MICON	Q 0806	87-A30-087-080	0E	C-FET,2SK2158	HCNM	AV-D37
S	MICON	Q 0806	87-A30-087-080	0E	C-FET,2SK2158	HRJNM	AV-D37
S	MICON	Q 0806	87-A30-087-080	0E	C-FET,2SK2158	HTNM	AV-D37
S	MICON	Q 0807	87-A30-071-080	0E	C-TR,RT1N 144C	HCNM	AV-D37
S	MICON	Q 0807	87-A30-071-080	0E	C-TR,RT1N 144C	HRJNM	AV-D37
S	MICON	Q 0807	87-A30-071-080	0E	C-TR,RT1N 144C	HTNM	AV-D37
S	MICON	Q 0808	87-A30-071-080	0E	C-TR,RT1N 144C	HCNM	AV-D37
S	MICON	Q 0808	87-A30-071-080	0E	C-TR,RT1N 144C	HRJNM	AV-D37
S	MICON	Q 0808	87-A30-071-080	0E	C-TR,RT1N 144C	HTNM	AV-D37
S	MICON	Q 0809	87-A30-076-080	0E	C-TR,2SC3052F	HCNM	AV-D37
S	MICON	Q 0809	87-A30-076-080	0E	C-TR,2SC3052F	HRJNM	AV-D37
S	MICON	Q 0809	87-A30-076-080	0E	C-TR,2SC3052F	HTNM	AV-D37
X	MICON	R 0710	88-118-392-080	0E	C-RES,S 3.9K-1/10W J	HCNM	AV-D37
X	MICON	R 0710	88-118-392-080	0E	C-RES,S 3.9K-1/10W J	HRJNM	AV-D37
X	MICON	R 0710	88-118-392-080	0E	C-RES,S 3.9K-1/10W J	HTNM	AV-D37
X	MICON	R 0711	88-118-392-080	0E	C-RES,S 3.9K-1/10W J	HCNM	AV-D37
X	MICON	R 0711	88-118-392-080	0E	C-RES,S 3.9K-1/10W J	HRJNM	AV-D37
X	MICON	R 0711	88-118-392-080	0E	C-RES,S 3.9K-1/10W J	HTNM	AV-D37
X	MICON	R 0712	88-118-683-080	0E	C-RES,S 68K-1/10W J	HCNM	AV-D37
X	MICON	R 0712	88-118-683-080	0E	C-RES,S 68K-1/10W J	HRJNM	AV-D37
X	MICON	R 0712	88-118-683-080	0E	C-RES,S 68K-1/10W J	HTNM	AV-D37
X	MICON	R 0721	88-118-332-080	0E	C-RES,S 3.3K-1/10W J	HCNM	AV-D37
X	MICON	R 0721	88-118-332-080	0E	C-RES,S 3.3K-1/10W J	HRJNM	AV-D37
X	MICON	R 0721	88-118-332-080	0E	C-RES,S 3.3K-1/10W J	HTNM	AV-D37
X	MICON	R 0722	88-118-332-080	0E	C-RES,S 3.3K-1/10W J	HCNM	AV-D37
X	MICON	R 0722	88-118-332-080	0E	C-RES,S 3.3K-1/10W J	HRJNM	AV-D37
X	MICON	R 0722	88-118-332-080	0E	C-RES,S 3.3K-1/10W J	HTNM	AV-D37
X	MICON	R 0732	88-118-392-080	0E	C-RES,S 3.9K-1/10W J	HCNM	AV-D37
X	MICON	R 0732	88-118-392-080	0E	C-RES,S 3.9K-1/10W J	HRJNM	AV-D37
X	MICON	R 0732	88-118-392-080	0E	C-RES,S 3.9K-1/10W J	HTNM	AV-D37
X	MICON	R 0733	88-118-392-080	0E	C-RES,S 3.9K-1/10W J	HCNM	AV-D37
X	MICON	R 0733	88-118-392-080	0E	C-RES,S 3.9K-1/10W J	HRJNM	AV-D37
X	MICON	R 0733	88-118-392-080	0E	C-RES,S 3.9K-1/10W J	HTNM	AV-D37
X	MICON	R 0734	88-118-472-080	0E	C-RES,S 4.7K-1/10W J	HCNM	AV-D37
X	MICON	R 0734	88-118-472-080	0E	C-RES,S 4.7K-1/10W J	HRJNM	AV-D37
X	MICON	R 0734	88-118-472-080	0E	C-RES,S 4.7K-1/10W J	HTNM	AV-D37
X	MICON	R 0735	88-118-472-080	0E	C-RES,S 4.7K-1/10W J	HCNM	AV-D37
X	MICON	R 0735	88-118-472-080	0E	C-RES,S 4.7K-1/10W J	HRJNM	AV-D37
X	MICON	R 0735	88-118-472-080	0E	C-RES,S 4.7K-1/10W J	HTNM	AV-D37
X	MICON	R 0736	88-118-472-080	0E	C-RES,S 4.7K-1/10W J	HCNM	AV-D37
X	MICON	R 0736	88-118-472-080	0E	C-RES,S 4.7K-1/10W J	HRJNM	AV-D37
X	MICON	R 0736	88-118-472-080	0E	C-RES,S 4.7K-1/10W J	HTNM	AV-D37
X	MICON	R 0737	88-121-473-080	0E	RES,47K-1/8W J	HCNM	AV-D37
X	MICON	R 0737	88-121-473-080	0E	RES,47K-1/8W J	HRJNM	AV-D37
X	MICON	R 0737	88-121-473-080	0E	RES,47K-1/8W J	HTNM	AV-D37
X	MICON	R 0738	88-121-473-080	0E	RES,47K-1/8W J	HCNM	AV-D37
X	MICON	R 0738	88-121-473-080	0E	RES,47K-1/8W J	HRJNM	AV-D37
X	MICON	R 0738	88-121-473-080	0E	RES,47K-1/8W J	HTNM	AV-D37
X	MICON	R 0739	88-121-473-080	0E	RES,47K-1/8W J	HCNM	AV-D37
X	MICON	R 0739	88-121-473-080	0E	RES,47K-1/8W J	HRJNM	AV-D37
X	MICON	R 0739	88-121-473-080	0E	RES,47K-1/8W J	HTNM	AV-D37
X	MICON	R 0740	88-118-472-080	0E	C-RES,S 4.7K-1/10W J	HCNM	AV-D37
X	MICON	R 0740	88-118-472-080	0E	C-RES,S 4.7K-1/10W J	HRJNM	AV-D37
X	MICON	R 0740	88-118-472-080	0E	C-RES,S 4.7K-1/10W J	HTNM	AV-D37
X	MICON	R 0741	88-118-472-080	0E	C-RES,S 4.7K-1/10W J	HCNM	AV-D37
X	MICON	R 0741	88-118-472-080	0E	C-RES,S 4.7K-1/10W J	HRJNM	AV-D37
X	MICON	R 0741	88-118-472-080	0E	C-RES,S 4.7K-1/10W J	HTNM	AV-D37
X	MICON	R 0742	88-118-472-080	0E	C-RES,S 4.7K-1/10W J	HCNM	AV-D37
X	MICON	R 0742	88-118-472-080	0E	C-RES,S 4.7K-1/10W J	HRJNM	AV-D37
X	MICON	R 0742	88-118-472-080	0E	C-RES,S 4.7K-1/10W J	HTNM	AV-D37
X	MICON	R 0743	88-118-472-080	0E	C-RES,S 4.7K-1/10W J	HCNM	AV-D37
X	MICON	R 0743	88-118-472-080	0E	C-RES,S 4.7K-1/10W J	HRJNM	AV-D37
X	MICON	R 0743	88-118-472-080	0E	C-RES,S 4.7K-1/10W J	HTNM	AV-D37
X	MICON	R 0744	88-118-101-080	0E	C-RES,S 100-1/10W J	HCNM	AV-D37
X	MICON	R 0744	88-118-101-080	0E	C-RES,S 100-1/10W J	HRJNM	AV-D37
X	MICON	R 0744	88-118-101-080	0E	C-RES,S 100-1/10W J	HTNM	AV-D37
X	MICON	R 0745	88-118-101-080	0E	C-RES,S 100-1/10W J	HCNM	AV-D37
X	MICON	R 0745	88-118-101-080	0E	C-RES,S 100-1/10W J	HRJNM	AV-D37
X	MICON	R 0745	88-118-101-080	0E	C-RES,S 100-1/10W J	HTNM	AV-D37

# PARTS LIST

! =  $\Delta$  SAFTY PARTS  
 C = Components marked

All components used on this model at the production line are shown in this service manual.

However, please note that not all components will be available as spare parts for after-sales service.

Components marked S and O are designated as spare parts for service and will be stocked at the spare parts centers.

Components marked X and R are not designated as spare parts for after sales service, and will not be stocked at the spare parts centers.

K NO. = Only use japanese.

! C	UNIT NAME	REF NO.	PARTS CODE	K NO.	DESCRIPTION	SUFFIX	MODEL NAME
X	MICON	R 0745	88-118-101-080	0E	C-RES,S 100-1/10W J	HTNM	AV-D37
X	MICON	R 0746	88-118-101-080	0E	C-RES,S 100-1/10W J	HCNM	AV-D37
X	MICON	R 0746	88-118-101-080	0E	C-RES,S 100-1/10W J	HRJNM	AV-D37
X	MICON	R 0746	88-118-101-080	0E	C-RES,S 100-1/10W J	HTNM	AV-D37
X	MICON	R 0747	88-118-101-080	0E	C-RES,S 100-1/10W J	HCNM	AV-D37
X	MICON	R 0747	88-118-101-080	0E	C-RES,S 100-1/10W J	HRJNM	AV-D37
X	MICON	R 0747	88-118-101-080	0E	C-RES,S 100-1/10W J	HTNM	AV-D37
X	MICON	R 0748	88-118-101-080	0E	C-RES,S 100-1/10W J	HCNM	AV-D37
X	MICON	R 0748	88-118-101-080	0E	C-RES,S 100-1/10W J	HRJNM	AV-D37
X	MICON	R 0748	88-118-101-080	0E	C-RES,S 100-1/10W J	HTNM	AV-D37
X	MICON	R 0761	88-121-102-080	0E	RES,1K-1/8W J	HCNM	AV-D37
X	MICON	R 0761	88-121-102-080	0E	RES,1K-1/8W J	HRJNM	AV-D37
X	MICON	R 0761	88-121-102-080	0E	RES,1K-1/8W J	HTNM	AV-D37
X	MICON	R 0765	88-128-102-080	0E	C-RES, 1K-1/8W J	HCNM	AV-D37
X	MICON	R 0765	88-128-102-080	0E	C-RES, 1K-1/8W J	HRJNM	AV-D37
X	MICON	R 0765	88-128-102-080	0E	C-RES, 1K-1/8W J	HTNM	AV-D37
X	MICON	R 0766	88-121-102-080	0E	RES,1K-1/8W J	HCNM	AV-D37
X	MICON	R 0766	88-121-102-080	0E	RES,1K-1/8W J	HRJNM	AV-D37
X	MICON	R 0766	88-121-102-080	0E	RES,1K-1/8W J	HTNM	AV-D37
X	MICON	R 0767	88-128-102-080	0E	C-RES, 1K-1/8W J	HCNM	AV-D37
X	MICON	R 0767	88-128-102-080	0E	C-RES, 1K-1/8W J	HRJNM	AV-D37
X	MICON	R 0767	88-128-102-080	0E	C-RES, 1K-1/8W J	HTNM	AV-D37
X	MICON	R 0768	88-128-102-080	0E	C-RES, 1K-1/8W J	HCNM	AV-D37
X	MICON	R 0768	88-128-102-080	0E	C-RES, 1K-1/8W J	HRJNM	AV-D37
X	MICON	R 0768	88-128-102-080	0E	C-RES, 1K-1/8W J	HTNM	AV-D37
X	MICON	R 0769	88-128-102-080	0E	C-RES, 1K-1/8W J	HCNM	AV-D37
X	MICON	R 0769	88-128-102-080	0E	C-RES, 1K-1/8W J	HRJNM	AV-D37
X	MICON	R 0769	88-128-102-080	0E	C-RES, 1K-1/8W J	HTNM	AV-D37
X	MICON	R 0770	88-128-102-080	0E	C-RES, 1K-1/8W J	HCNM	AV-D37
X	MICON	R 0770	88-128-102-080	0E	C-RES, 1K-1/8W J	HRJNM	AV-D37
X	MICON	R 0770	88-128-102-080	0E	C-RES, 1K-1/8W J	HTNM	AV-D37
X	MICON	R 0771	88-128-102-080	0E	C-RES, 1K-1/8W J	HCNM	AV-D37
X	MICON	R 0771	88-128-102-080	0E	C-RES, 1K-1/8W J	HRJNM	AV-D37
X	MICON	R 0771	88-128-102-080	0E	C-RES, 1K-1/8W J	HTNM	AV-D37
X	MICON	R 0772	88-128-102-080	0E	C-RES, 1K-1/8W J	HCNM	AV-D37
X	MICON	R 0772	88-128-102-080	0E	C-RES, 1K-1/8W J	HRJNM	AV-D37
X	MICON	R 0772	88-128-102-080	0E	C-RES, 1K-1/8W J	HTNM	AV-D37
X	MICON	R 0773	88-128-102-080	0E	C-RES, 1K-1/8W J	HCNM	AV-D37
X	MICON	R 0773	88-128-102-080	0E	C-RES, 1K-1/8W J	HRJNM	AV-D37
X	MICON	R 0773	88-128-102-080	0E	C-RES, 1K-1/8W J	HTNM	AV-D37
X	MICON	R 0781	88-128-271-080	0E	C-RES, 270-1/8W J	HCNM	AV-D37
X	MICON	R 0781	88-128-271-080	0E	C-RES, 270-1/8W J	HRJNM	AV-D37
X	MICON	R 0781	88-128-271-080	0E	C-RES, 270-1/8W J	HTNM	AV-D37
X	MICON	R 0782	88-128-271-080	0E	C-RES, 270-1/8W J	HCNM	AV-D37
X	MICON	R 0782	88-128-271-080	0E	C-RES, 270-1/8W J	HRJNM	AV-D37
X	MICON	R 0782	88-128-271-080	0E	C-RES, 270-1/8W J	HTNM	AV-D37
X	MICON	R 0800	88-118-122-080	0E	C-RES,S 1.2K-1/10W J	HCNM	AV-D37
X	MICON	R 0800	88-118-122-080	0E	C-RES,S 1.2K-1/10W J	HRJNM	AV-D37
X	MICON	R 0800	88-118-122-080	0E	C-RES,S 1.2K-1/10W J	HTNM	AV-D37
X	MICON	R 0801	88-118-101-080	0E	C-RES,S 100-1/10W J	HCNM	AV-D37
X	MICON	R 0801	88-118-101-080	0E	C-RES,S 100-1/10W J	HRJNM	AV-D37
X	MICON	R 0801	88-118-101-080	0E	C-RES,S 100-1/10W J	HTNM	AV-D37
X	MICON	R 0802	88-118-103-080	0E	C-RES,S 10K-1/10W J	HCNM	AV-D37
X	MICON	R 0802	88-118-103-080	0E	C-RES,S 10K-1/10W J	HRJNM	AV-D37
X	MICON	R 0802	88-118-103-080	0E	C-RES,S 10K-1/10W J	HTNM	AV-D37
X	MICON	R 0803	88-118-152-080	0E	C-RES,S 1.5K-1/10W J	HCNM	AV-D37
X	MICON	R 0803	88-118-152-080	0E	C-RES,S 1.5K-1/10W J	HRJNM	AV-D37
X	MICON	R 0803	88-118-152-080	0E	C-RES,S 1.5K-1/10W J	HTNM	AV-D37
X	MICON	R 0804	88-118-103-080	0E	C-RES,S 10K-1/10W J	HCNM	AV-D37
X	MICON	R 0804	88-118-103-080	0E	C-RES,S 10K-1/10W J	HRJNM	AV-D37
X	MICON	R 0804	88-118-103-080	0E	C-RES,S 10K-1/10W J	HTNM	AV-D37
X	MICON	R 0805	88-118-104-080	0E	C-RES,S 100K-1/10W J	HCNM	AV-D37
X	MICON	R 0805	88-118-104-080	0E	C-RES,S 100K-1/10W J	HRJNM	AV-D37
X	MICON	R 0805	88-118-104-080	0E	C-RES,S 100K-1/10W J	HTNM	AV-D37
X	MICON	R 0806	88-118-152-080	0E	C-RES,S 1.5K-1/10W J	HCNM	AV-D37
X	MICON	R 0806	88-118-152-080	0E	C-RES,S 1.5K-1/10W J	HRJNM	AV-D37
X	MICON	R 0806	88-118-152-080	0E	C-RES,S 1.5K-1/10W J	HTNM	AV-D37
X	MICON	R 0807	88-118-103-080	0E	C-RES,S 10K-1/10W J	HCNM	AV-D37
X	MICON	R 0807	88-118-103-080	0E	C-RES,S 10K-1/10W J	HRJNM	AV-D37
X	MICON	R 0807	88-118-103-080	0E	C-RES,S 10K-1/10W J	HTNM	AV-D37

# PARTS LIST

! =  $\Delta$  SAFTY PARTS  
 C = Components marked

All components used on this model at the production line are shown in this service manual.

However, please note that not all components will be available as spare parts for after-sales service.

Components marked S and O are designated as spare parts for service and will be stocked at the spare parts centers.

Components marked X and R are not designated as spare parts for after sales service, and will not be stocked at the spare parts centers.

K NO. = Only use japanese.

! C	UNIT NAME	REF NO.	PARTS CODE	K NO.	DESCRIPTION	SUFFIX	MODEL NAME
X	MICON	R 0808	88-118-222-080	0E	C-RES,S 2.2K-1/10W J	HCNM	AV-D37
X	MICON	R 0808	88-118-222-080	0E	C-RES,S 2.2K-1/10W J	HRJNM	AV-D37
X	MICON	R 0808	88-118-222-080	0E	C-RES,S 2.2K-1/10W J	HTNM	AV-D37
X	MICON	R 0809	88-118-103-080	0E	C-RES,S 10K-1/10W J	HCNM	AV-D37
X	MICON	R 0809	88-118-103-080	0E	C-RES,S 10K-1/10W J	HRJNM	AV-D37
X	MICON	R 0809	88-118-103-080	0E	C-RES,S 10K-1/10W J	HTNM	AV-D37
X	MICON	R 0811	88-118-103-080	0E	C-RES,S 10K-1/10W J	HCNM	AV-D37
X	MICON	R 0811	88-118-103-080	0E	C-RES,S 10K-1/10W J	HRJNM	AV-D37
X	MICON	R 0811	88-118-103-080	0E	C-RES,S 10K-1/10W J	HTNM	AV-D37
X	MICON	R 0814	88-121-104-080	0E	RES,100K-1/8W J	HCNM	AV-D37
X	MICON	R 0814	88-121-104-080	0E	RES,100K-1/8W J	HRJNM	AV-D37
X	MICON	R 0814	88-121-104-080	0E	RES,100K-1/8W J	HTNM	AV-D37
X	MICON	R 0815	88-121-104-080	0E	RES,100K-1/8W J	HCNM	AV-D37
X	MICON	R 0815	88-121-104-080	0E	RES,100K-1/8W J	HRJNM	AV-D37
X	MICON	R 0815	88-121-104-080	0E	RES,100K-1/8W J	HTNM	AV-D37
X	MICON	R 0816	88-118-224-080	0E	C-RES,S 220K-1/10W J	HCNM	AV-D37
X	MICON	R 0816	88-118-224-080	0E	C-RES,S 220K-1/10W J	HRJNM	AV-D37
X	MICON	R 0816	88-118-224-080	0E	C-RES,S 220K-1/10W J	HTNM	AV-D37
X	MICON	R 0817	88-118-153-080	0E	C-RES,S 15K-1/10W J	HCNM	AV-D37
X	MICON	R 0817	88-118-153-080	0E	C-RES,S 15K-1/10W J	HRJNM	AV-D37
X	MICON	R 0817	88-118-153-080	0E	C-RES,S 15K-1/10W J	HTNM	AV-D37
X	MICON	R 0818	88-118-333-080	0E	C-RES,S 33K-1/10W J	HCNM	AV-D37
X	MICON	R 0818	88-118-333-080	0E	C-RES,S 33K-1/10W J	HRJNM	AV-D37
X	MICON	R 0818	88-118-333-080	0E	C-RES,S 33K-1/10W J	HTNM	AV-D37
X	MICON	R 0819	88-118-124-080	0E	C-RES,S 120K-1/10W J	HCNM	AV-D37
X	MICON	R 0819	88-118-124-080	0E	C-RES,S 120K-1/10W J	HRJNM	AV-D37
X	MICON	R 0819	88-118-124-080	0E	C-RES,S 120K-1/10W J	HTNM	AV-D37
X	MICON	R 0820	88-118-224-080	0E	C-RES,S 220K-1/10W J	HCNM	AV-D37
X	MICON	R 0820	88-118-224-080	0E	C-RES,S 220K-1/10W J	HRJNM	AV-D37
X	MICON	R 0820	88-118-224-080	0E	C-RES,S 220K-1/10W J	HTNM	AV-D37
X	MICON	R 0821	88-118-472-080	0E	C-RES,S 4.7K-1/10W J	HCNM	AV-D37
X	MICON	R 0821	88-118-472-080	0E	C-RES,S 4.7K-1/10W J	HRJNM	AV-D37
X	MICON	R 0821	88-118-472-080	0E	C-RES,S 4.7K-1/10W J	HTNM	AV-D37
X	MICON	R 0822	88-128-100-080	0E	C-RES, 10-1/8W J	HCNM	AV-D37
X	MICON	R 0822	88-128-100-080	0E	C-RES, 10-1/8W J	HRJNM	AV-D37
X	MICON	R 0822	88-128-100-080	0E	C-RES, 10-1/8W J	HTNM	AV-D37
X	MICON	R 0823	88-128-180-080	0E	C-RES, 18-1/8W J	HCNM	AV-D37
X	MICON	R 0823	88-128-180-080	0E	C-RES, 18-1/8W J	HRJNM	AV-D37
X	MICON	R 0823	88-128-180-080	0E	C-RES, 18-1/8W J	HTNM	AV-D37
X	MICON	R 0824	88-129-000-080	0E	C-JUMPER,3216	HCNM	AV-D37
X	MICON	R 0824	88-129-000-080	0E	C-JUMPER,3216	HRJNM	AV-D37
X	MICON	R 0824	88-129-000-080	0E	C-JUMPER,3216	HTNM	AV-D37
X	MICON	R 0825	88-129-000-080	0E	C-JUMPER,3216	HCNM	AV-D37
X	MICON	R 0825	88-129-000-080	0E	C-JUMPER,3216	HRJNM	AV-D37
X	MICON	R 0825	88-129-000-080	0E	C-JUMPER,3216	HTNM	AV-D37
X	MICON	R 0826	88-118-471-080	0E	C-RES,S 470-1/10W J	HCNM	AV-D37
X	MICON	R 0826	88-118-471-080	0E	C-RES,S 470-1/10W J	HRJNM	AV-D37
X	MICON	R 0826	88-118-471-080	0E	C-RES,S 470-1/10W J	HTNM	AV-D37
X	MICON	R 0827	88-128-272-080	0E	C-RES, 2.7K-1/8W J	HCNM	AV-D37
X	MICON	R 0827	88-128-272-080	0E	C-RES, 2.7K-1/8W J	HRJNM	AV-D37
X	MICON	R 0827	88-128-272-080	0E	C-RES, 2.7K-1/8W J	HTNM	AV-D37
X	MICON	R 0828	88-130-479-080	0E	RES,4.7-1/4W J	HCNM	AV-D37
X	MICON	R 0828	88-130-479-080	0E	RES,4.7-1/4W J	HRJNM	AV-D37
X	MICON	R 0828	88-130-479-080	0E	RES,4.7-1/4W J	HTNM	AV-D37
X	MICON	R 0829	88-118-474-080	0E	C-RES,S 470K-1/10W J	HCNM	AV-D37
X	MICON	R 0829	88-118-474-080	0E	C-RES,S 470K-1/10W J	HRJNM	AV-D37
X	MICON	R 0829	88-118-474-080	0E	C-RES,S 470K-1/10W J	HTNM	AV-D37
X	MICON	R 0830	88-128-101-080	0E	C-RES, 100-1/8W J	HCNM	AV-D37
X	MICON	R 0830	88-128-101-080	0E	C-RES, 100-1/8W J	HRJNM	AV-D37
X	MICON	R 0830	88-128-101-080	0E	C-RES, 100-1/8W J	HTNM	AV-D37
X	MICON	R 0831	88-121-274-080	0E	RES,270K-1/8W J	HCNM	AV-D37
X	MICON	R 0831	88-121-274-080	0E	RES,270K-1/8W J	HRJNM	AV-D37
X	MICON	R 0831	88-121-274-080	0E	RES,270K-1/8W J	HTNM	AV-D37
X	MICON	R 0832	88-128-102-080	0E	C-RES, 1K-1/8W J	HCNM	AV-D37
X	MICON	R 0832	88-128-102-080	0E	C-RES, 1K-1/8W J	HRJNM	AV-D37
X	MICON	R 0832	88-128-102-080	0E	C-RES, 1K-1/8W J	HTNM	AV-D37
X	MICON	R 0833	88-128-474-080	0E	C-RES, 470K-1/8W J	HCNM	AV-D37
X	MICON	R 0833	88-128-474-080	0E	C-RES, 470K-1/8W J	HRJNM	AV-D37
X	MICON	R 0833	88-128-474-080	0E	C-RES, 470K-1/8W J	HTNM	AV-D37
X	MICON	R 0834	88-118-102-080	0E	C-RES,S 1K-1/10W J	HCNM	AV-D37

# PARTS LIST

! =  $\Delta$  SAFTY PARTS  
 C = Components marked

All components used on this model at the production line are shown in this service manual.

However, please note that not all components will be available as spare parts for after-sales service.

Components marked S and O are designated as spare parts for service and will be stocked at the spare parts centers.

Components marked X and R are not designated as spare parts for after sales service, and will not be stocked at the spare parts centers.

K NO. = Only use Japanese.

! C	UNIT NAME	REF NO.	PARTS CODE	K NO.	DESCRIPTION	SUFFIX	MODEL NAME
X	MICON	R 0834	88-118-102-080	0E	C-RES,S 1K-1/10W J	HRJNM	AV-D37
X	MICON	R 0834	88-118-102-080	0E	C-RES,S 1K-1/10W J	HTNM	AV-D37
X	MICON	R 0835	88-118-102-080	0E	C-RES,S 1K-1/10W J	HCNM	AV-D37
X	MICON	R 0835	88-118-102-080	0E	C-RES,S 1K-1/10W J	HRJNM	AV-D37
X	MICON	R 0835	88-118-102-080	0E	C-RES,S 1K-1/10W J	HTNM	AV-D37
X	MICON	R 0836	88-118-473-080	0E	C-RES,S 47K-1/10W J	HCNM	AV-D37
X	MICON	R 0836	88-118-473-080	0E	C-RES,S 47K-1/10W J	HRJNM	AV-D37
X	MICON	R 0836	88-118-473-080	0E	C-RES,S 47K-1/10W J	HTNM	AV-D37
X	MICON	R 0837	88-118-104-080	0E	C-RES,S 100K-1/10W J	HCNM	AV-D37
X	MICON	R 0837	88-118-104-080	0E	C-RES,S 100K-1/10W J	HRJNM	AV-D37
X	MICON	R 0837	88-118-104-080	0E	C-RES,S 100K-1/10W J	HTNM	AV-D37
X	MICON	R 0838	88-118-473-080	0E	C-RES,S 47K-1/10W J	HCNM	AV-D37
X	MICON	R 0838	88-118-473-080	0E	C-RES,S 47K-1/10W J	HRJNM	AV-D37
X	MICON	R 0838	88-118-473-080	0E	C-RES,S 47K-1/10W J	HTNM	AV-D37
X	MICON	R 0839	88-118-101-080	0E	C-RES,S 100-1/10W J	HCNM	AV-D37
X	MICON	R 0839	88-118-101-080	0E	C-RES,S 100-1/10W J	HRJNM	AV-D37
X	MICON	R 0839	88-118-101-080	0E	C-RES,S 100-1/10W J	HTNM	AV-D37
X	MICON	R 0840	88-118-101-080	0E	C-RES,S 100-1/10W J	HCNM	AV-D37
X	MICON	R 0840	88-118-101-080	0E	C-RES,S 100-1/10W J	HRJNM	AV-D37
X	MICON	R 0840	88-118-101-080	0E	C-RES,S 100-1/10W J	HTNM	AV-D37
X	MICON	R 0841	88-121-470-080	0E	RES,47-1/8W J	HCNM	AV-D37
X	MICON	R 0841	88-121-470-080	0E	RES,47-1/8W J	HRJNM	AV-D37
X	MICON	R 0841	88-121-470-080	0E	RES,47-1/8W J	HTNM	AV-D37
X	MICON	R 0842	88-121-563-080	0E	RES,56K-1/8W J	HCNM	AV-D37
X	MICON	R 0842	88-121-563-080	0E	RES,56K-1/8W J	HRJNM	AV-D37
X	MICON	R 0842	88-121-563-080	0E	RES,56K-1/8W J	HTNM	AV-D37
X	MICON	R 0843	88-118-273-080	0E	C-RES,S 27K-1/10W J	HCNM	AV-D37
X	MICON	R 0843	88-118-273-080	0E	C-RES,S 27K-1/10W J	HRJNM	AV-D37
X	MICON	R 0843	88-118-273-080	0E	C-RES,S 27K-1/10W J	HTNM	AV-D37
X	MICON	R 0844	88-118-682-080	0E	C-RES,S 6.8K-1/10W J	HCNM	AV-D37
X	MICON	R 0844	88-118-682-080	0E	C-RES,S 6.8K-1/10W J	HRJNM	AV-D37
X	MICON	R 0844	88-118-682-080	0E	C-RES,S 6.8K-1/10W J	HTNM	AV-D37
X	MICON	R 0845	88-118-152-080	0E	C-RES,S 1.5K-1/10W J	HCNM	AV-D37
X	MICON	R 0845	88-118-152-080	0E	C-RES,S 1.5K-1/10W J	HRJNM	AV-D37
X	MICON	R 0845	88-118-152-080	0E	C-RES,S 1.5K-1/10W J	HTNM	AV-D37
X	MICON	R 0846	88-118-102-080	0E	C-RES,S 1K-1/10W J	HCNM	AV-D37
X	MICON	R 0846	88-118-102-080	0E	C-RES,S 1K-1/10W J	HRJNM	AV-D37
X	MICON	R 0846	88-118-102-080	0E	C-RES,S 1K-1/10W J	HTNM	AV-D37
X	MICON	R 0847	88-118-103-080	0E	C-RES,S 10K-1/10W J	HCNM	AV-D37
X	MICON	R 0847	88-118-103-080	0E	C-RES,S 10K-1/10W J	HRJNM	AV-D37
X	MICON	R 0847	88-118-103-080	0E	C-RES,S 10K-1/10W J	HTNM	AV-D37
X	MICON	R 0848	88-118-273-080	0E	C-RES,S 27K-1/10W J	HCNM	AV-D37
X	MICON	R 0848	88-118-273-080	0E	C-RES,S 27K-1/10W J	HRJNM	AV-D37
X	MICON	R 0848	88-118-273-080	0E	C-RES,S 27K-1/10W J	HTNM	AV-D37
X	MICON	R 0849	88-118-682-080	0E	C-RES,S 6.8K-1/10W J	HCNM	AV-D37
X	MICON	R 0849	88-118-682-080	0E	C-RES,S 6.8K-1/10W J	HRJNM	AV-D37
X	MICON	R 0849	88-118-682-080	0E	C-RES,S 6.8K-1/10W J	HTNM	AV-D37
X	MICON	R 0850	88-118-152-080	0E	C-RES,S 1.5K-1/10W J	HCNM	AV-D37
X	MICON	R 0850	88-118-152-080	0E	C-RES,S 1.5K-1/10W J	HRJNM	AV-D37
X	MICON	R 0850	88-118-152-080	0E	C-RES,S 1.5K-1/10W J	HTNM	AV-D37
X	MICON	R 0851	88-118-102-080	0E	C-RES,S 1K-1/10W J	HCNM	AV-D37
X	MICON	R 0851	88-118-102-080	0E	C-RES,S 1K-1/10W J	HRJNM	AV-D37
X	MICON	R 0851	88-118-102-080	0E	C-RES,S 1K-1/10W J	HTNM	AV-D37
X	MICON	R 0852	88-128-153-080	0E	C-RES, 15K-1/8W J	HCNM	AV-D37
X	MICON	R 0852	88-128-153-080	0E	C-RES, 15K-1/8W J	HRJNM	AV-D37
X	MICON	R 0852	88-128-153-080	0E	C-RES, 15K-1/8W J	HTNM	AV-D37
X	MICON	R 0853	88-118-473-080	0E	C-RES,S 47K-1/10W J	HCNM	AV-D37
X	MICON	R 0853	88-118-473-080	0E	C-RES,S 47K-1/10W J	HRJNM	AV-D37
X	MICON	R 0853	88-118-473-080	0E	C-RES,S 47K-1/10W J	HTNM	AV-D37
X	MICON	R 0854	88-118-102-080	0E	C-RES,S 1K-1/10W J	HCNM	AV-D37
X	MICON	R 0854	88-118-102-080	0E	C-RES,S 1K-1/10W J	HRJNM	AV-D37
X	MICON	R 0854	88-118-102-080	0E	C-RES,S 1K-1/10W J	HTNM	AV-D37
X	MICON	R 0855	88-121-821-080	0E	RES,820-1/8W J	HCNM	AV-D37
X	MICON	R 0855	88-121-821-080	0E	RES,820-1/8W J	HRJNM	AV-D37
X	MICON	R 0855	88-121-821-080	0E	RES,820-1/8W J	HTNM	AV-D37
X	MICON	R 0856	88-121-102-080	0E	RES,1K-1/8W J	HCNM	AV-D37
X	MICON	R 0856	88-121-102-080	0E	RES,1K-1/8W J	HRJNM	AV-D37
X	MICON	R 0856	88-121-102-080	0E	RES,1K-1/8W J	HTNM	AV-D37
X	MICON	R 0857	88-121-102-080	0E	RES,1K-1/8W J	HCNM	AV-D37
X	MICON	R 0857	88-121-102-080	0E	RES,1K-1/8W J	HRJNM	AV-D37
X	MICON	R 0857	88-121-102-080	0E	RES,1K-1/8W J	HTNM	AV-D37

# PARTS LIST

! =  $\Delta$  SAFTY PARTS  
 C = Components marked

All components used on this model at the production line are shown in this service manual.

However, please note that not all components will be available as spare parts for after-sales service.

Components marked S and O are designated as spare parts for service and will be stocked at the spare parts centers.

Components marked X and R are not designated as spare parts for after sales service, and will not be stocked at the spare parts centers.

K NO. = Only use japanese.

! C	UNIT NAME	REF NO.	PARTS CODE	K NO.	DESCRIPTION	SUFFIX	MODEL NAME
X	MICON	R 0857	88-121-102-080	0E	RES,1K-1/8W J	HTNM	AV-D37
X	MICON	R 0858	88-121-122-080	0E	RES,1.2K-1/8W J	HCNM	AV-D37
X	MICON	R 0858	88-121-122-080	0E	RES,1.2K-1/8W J	HRJNM	AV-D37
X	MICON	R 0858	88-121-122-080	0E	RES,1.2K-1/8W J	HTNM	AV-D37
X	MICON	R 0859	88-121-152-080	0E	RES,1.5K-1/8W J	HCNM	AV-D37
X	MICON	R 0859	88-121-152-080	0E	RES,1.5K-1/8W J	HRJNM	AV-D37
X	MICON	R 0859	88-121-152-080	0E	RES,1.5K-1/8W J	HTNM	AV-D37
X	MICON	R 0860	88-121-222-080	0E	RES,2.2K-1/8W J	HCNM	AV-D37
X	MICON	R 0860	88-121-222-080	0E	RES,2.2K-1/8W J	HRJNM	AV-D37
X	MICON	R 0860	88-121-222-080	0E	RES,2.2K-1/8W J	HTNM	AV-D37
X	MICON	R 0861	88-121-272-080	0E	RES,2.7K-1/8W J	HCNM	AV-D37
X	MICON	R 0861	88-121-272-080	0E	RES,2.7K-1/8W J	HRJNM	AV-D37
X	MICON	R 0861	88-121-272-080	0E	RES,2.7K-1/8W J	HTNM	AV-D37
X	MICON	R 0862	88-118-332-080	0E	C-RES,S 3.3K-1/10W J	HCNM	AV-D37
X	MICON	R 0862	88-118-332-080	0E	C-RES,S 3.3K-1/10W J	HRJNM	AV-D37
X	MICON	R 0862	88-118-332-080	0E	C-RES,S 3.3K-1/10W J	HTNM	AV-D37
X	MICON	R 0863	88-118-392-080	0E	C-RES,S 3.9K-1/10W J	HCNM	AV-D37
X	MICON	R 0863	88-118-392-080	0E	C-RES,S 3.9K-1/10W J	HRJNM	AV-D37
X	MICON	R 0863	88-118-392-080	0E	C-RES,S 3.9K-1/10W J	HTNM	AV-D37
X	MICON	R 0864	88-118-682-080	0E	C-RES,S 6.8K-1/10W J	HCNM	AV-D37
X	MICON	R 0864	88-118-682-080	0E	C-RES,S 6.8K-1/10W J	HRJNM	AV-D37
X	MICON	R 0864	88-118-682-080	0E	C-RES,S 6.8K-1/10W J	HTNM	AV-D37
X	MICON	R 0866	88-118-102-080	0E	C-RES,S 1K-1/10W J	HCNM	AV-D37
X	MICON	R 0866	88-118-102-080	0E	C-RES,S 1K-1/10W J	HRJNM	AV-D37
X	MICON	R 0866	88-118-102-080	0E	C-RES,S 1K-1/10W J	HTNM	AV-D37
X	MICON	R 0867	88-121-102-080	0E	RES,1K-1/8W J	HCNM	AV-D37
X	MICON	R 0867	88-121-102-080	0E	RES,1K-1/8W J	HRJNM	AV-D37
X	MICON	R 0867	88-121-102-080	0E	RES,1K-1/8W J	HTNM	AV-D37
X	MICON	R 0868	88-121-821-080	0E	RES,820-1/8W J	HCNM	AV-D37
X	MICON	R 0868	88-121-821-080	0E	RES,820-1/8W J	HRJNM	AV-D37
X	MICON	R 0868	88-121-821-080	0E	RES,820-1/8W J	HTNM	AV-D37
X	MICON	R 0868	88-121-821-080	0E	RES,820-1/8W J	HRJNM	AV-D37
X	MICON	R 0869	88-121-102-080	0E	RES,1K-1/8W J	HCNM	AV-D37
X	MICON	R 0869	88-121-102-080	0E	RES,1K-1/8W J	HRJNM	AV-D37
X	MICON	R 0869	88-121-102-080	0E	RES,1K-1/8W J	HTNM	AV-D37
X	MICON	R 0870	88-121-103-080	0E	RES,10K-1/8W J	HCNM	AV-D37
X	MICON	R 0870	88-121-103-080	0E	RES,10K-1/8W J	HRJNM	AV-D37
X	MICON	R 0870	88-121-103-080	0E	RES,10K-1/8W J	HTNM	AV-D37
X	MICON	R 0870	88-121-103-080	0E	RES,10K-1/8W J	HRJNM	AV-D37
X	MICON	R 0871	88-121-103-080	0E	RES,10K-1/8W J	HCNM	AV-D37
X	MICON	R 0871	88-121-103-080	0E	RES,10K-1/8W J	HRJNM	AV-D37
X	MICON	R 0871	88-121-103-080	0E	RES,10K-1/8W J	HTNM	AV-D37
X	MICON	R 0871	88-121-103-080	0E	RES,10K-1/8W J	HRJNM	AV-D37
X	MICON	R 0872	88-118-561-080	0E	C-RES,S 560-1/10W J	HCNM	AV-D37
X	MICON	R 0872	88-118-561-080	0E	C-RES,S 560-1/10W J	HRJNM	AV-D37
X	MICON	R 0872	88-118-561-080	0E	C-RES,S 560-1/10W J	HTNM	AV-D37
X	MICON	R 0872	88-118-561-080	0E	C-RES,S 560-1/10W J	HRJNM	AV-D37
X	MICON	R 0873	88-118-561-080	0E	C-RES,S 560-1/10W J	HCNM	AV-D37
X	MICON	R 0873	88-118-561-080	0E	C-RES,S 560-1/10W J	HRJNM	AV-D37
X	MICON	R 0873	88-118-561-080	0E	C-RES,S 560-1/10W J	HTNM	AV-D37
X	MICON	R 0873	88-118-561-080	0E	C-RES,S 560-1/10W J	HRJNM	AV-D37
X	MICON	R 0874	88-118-561-080	0E	C-RES,S 560-1/10W J	HCNM	AV-D37
X	MICON	R 0874	88-118-561-080	0E	C-RES,S 560-1/10W J	HRJNM	AV-D37
X	MICON	R 0874	88-118-561-080	0E	C-RES,S 560-1/10W J	HTNM	AV-D37
X	MICON	R 0874	88-118-561-080	0E	C-RES,S 560-1/10W J	HRJNM	AV-D37
X	MICON	R 0875	88-128-104-080	0E	C-RES, 100K-1/8W J	HCNM	AV-D37
X	MICON	R 0875	88-128-104-080	0E	C-RES, 100K-1/8W J	HRJNM	AV-D37
X	MICON	R 0875	88-128-104-080	0E	C-RES, 100K-1/8W J	HTNM	AV-D37
X	MICON	R 0875	88-128-104-080	0E	C-RES, 100K-1/8W J	HRJNM	AV-D37
X	MICON	R 0876	88-128-104-080	0E	C-RES, 100K-1/8W J	HCNM	AV-D37
X	MICON	R 0876	88-128-104-080	0E	C-RES, 100K-1/8W J	HRJNM	AV-D37
X	MICON	R 0876	88-128-104-080	0E	C-RES, 100K-1/8W J	HTNM	AV-D37
X	MICON	R 0876	88-128-104-080	0E	C-RES, 100K-1/8W J	HRJNM	AV-D37
X	MICON	R 0877	88-128-104-080	0E	C-RES, 100K-1/8W J	HCNM	AV-D37
X	MICON	R 0877	88-128-104-080	0E	C-RES, 100K-1/8W J	HRJNM	AV-D37
X	MICON	R 0877	88-128-104-080	0E	C-RES, 100K-1/8W J	HTNM	AV-D37
X	MICON	R 0877	88-128-104-080	0E	C-RES, 100K-1/8W J	HRJNM	AV-D37
X	MICON	R 0878	88-128-104-080	0E	C-RES, 100K-1/8W J	HCNM	AV-D37
X	MICON	R 0878	88-128-104-080	0E	C-RES, 100K-1/8W J	HRJNM	AV-D37
X	MICON	R 0878	88-128-104-080	0E	C-RES, 100K-1/8W J	HTNM	AV-D37
X	MICON	R 0878	88-128-104-080	0E	C-RES, 100K-1/8W J	HRJNM	AV-D37
X	MICON	R 0879	88-128-104-080	0E	C-RES, 100K-1/8W J	HCNM	AV-D37
X	MICON	R 0879	88-128-104-080	0E	C-RES, 100K-1/8W J	HRJNM	AV-D37
X	MICON	R 0879	88-128-104-080	0E	C-RES, 100K-1/8W J	HTNM	AV-D37
X	MICON	R 0879	88-128-104-080	0E	C-RES, 100K-1/8W J	HRJNM	AV-D37
X	MICON	R 0880	88-128-104-080	0E	C-RES, 100K-1/8W J	HCNM	AV-D37
X	MICON	R 0880	88-128-104-080	0E	C-RES, 100K-1/8W J	HRJNM	AV-D37
X	MICON	R 0880	88-128-104-080	0E	C-RES, 100K-1/8W J	HTNM	AV-D37
X	MICON	R 0880	88-128-104-080	0E	C-RES, 100K-1/8W J	HRJNM	AV-D37
X	MICON	R 0881	88-128-104-080	0E	C-RES, 100K-1/8W J	HCNM	AV-D37
X	MICON	R 0881	88-128-104-080	0E	C-RES, 100K-1/8W J	HRJNM	AV-D37
X	MICON	R 0881	88-128-104-080	0E	C-RES, 100K-1/8W J	HTNM	AV-D37
X	MICON	R 0881	88-128-104-080	0E	C-RES, 100K-1/8W J	HRJNM	AV-D37

# PARTS LIST

! =  $\Delta$  SAFTY PARTS  
 C = Components marked

All components used on this model at the production line are shown in this service manual.

However, please note that not all components will be available as spare parts for after-sales service.

Components marked S and O are designated as spare parts for service and will be stocked at the spare parts centers.

Components marked X and R are not designated as spare parts for after sales service, and will not be stocked at the spare parts centers.

K NO. = Only use Japanese.

! C	UNIT NAME	REF NO.	PARTS CODE	K NO.	DESCRIPTION	SUFFIX	MODEL NAME
X	MICON	R 0882	88-128-104-080	0E	C-RES, 100K-1/8W J	HCNM	AV-D37
X	MICON	R 0882	88-128-104-080	0E	C-RES, 100K-1/8W J	HRJNM	AV-D37
X	MICON	R 0882	88-128-104-080	0E	C-RES, 100K-1/8W J	HTNM	AV-D37
X	MICON	R 0883	88-128-104-080	0E	C-RES, 100K-1/8W J	HCNM	AV-D37
X	MICON	R 0883	88-128-104-080	0E	C-RES, 100K-1/8W J	HRJNM	AV-D37
X	MICON	R 0883	88-128-104-080	0E	C-RES, 100K-1/8W J	HTNM	AV-D37
X	MICON	R 0884	88-128-104-080	0E	C-RES, 100K-1/8W J	HCNM	AV-D37
X	MICON	R 0884	88-128-104-080	0E	C-RES, 100K-1/8W J	HRJNM	AV-D37
X	MICON	R 0884	88-128-104-080	0E	C-RES, 100K-1/8W J	HTNM	AV-D37
X	MICON	R 0885	88-128-104-080	0E	C-RES, 100K-1/8W J	HCNM	AV-D37
X	MICON	R 0885	88-128-104-080	0E	C-RES, 100K-1/8W J	HRJNM	AV-D37
X	MICON	R 0885	88-128-104-080	0E	C-RES, 100K-1/8W J	HTNM	AV-D37
X	MICON	R 0886	88-118-104-080	0E	C-RES,S 100K-1/10W J	HCNM	AV-D37
X	MICON	R 0886	88-118-104-080	0E	C-RES,S 100K-1/10W J	HRJNM	AV-D37
X	MICON	R 0886	88-118-104-080	0E	C-RES,S 100K-1/10W J	HTNM	AV-D37
X	MICON	R 0887	88-118-104-080	0E	C-RES,S 100K-1/10W J	HCNM	AV-D37
X	MICON	R 0887	88-118-104-080	0E	C-RES,S 100K-1/10W J	HRJNM	AV-D37
X	MICON	R 0887	88-118-104-080	0E	C-RES,S 100K-1/10W J	HTNM	AV-D37
X	MICON	R 0888	88-118-104-080	0E	C-RES,S 100K-1/10W J	HCNM	AV-D37
X	MICON	R 0888	88-118-104-080	0E	C-RES,S 100K-1/10W J	HRJNM	AV-D37
X	MICON	R 0888	88-118-104-080	0E	C-RES,S 100K-1/10W J	HTNM	AV-D37
X	MICON	R 0889	88-118-104-080	0E	C-RES,S 100K-1/10W J	HCNM	AV-D37
X	MICON	R 0889	88-118-104-080	0E	C-RES,S 100K-1/10W J	HRJNM	AV-D37
X	MICON	R 0889	88-118-104-080	0E	C-RES,S 100K-1/10W J	HTNM	AV-D37
X	MICON	R 0890	88-118-104-080	0E	C-RES,S 100K-1/10W J	HCNM	AV-D37
X	MICON	R 0890	88-118-104-080	0E	C-RES,S 100K-1/10W J	HRJNM	AV-D37
X	MICON	R 0890	88-118-104-080	0E	C-RES,S 100K-1/10W J	HTNM	AV-D37
X	MICON	R 0891	88-118-104-080	0E	C-RES,S 100K-1/10W J	HCNM	AV-D37
X	MICON	R 0891	88-118-104-080	0E	C-RES,S 100K-1/10W J	HRJNM	AV-D37
X	MICON	R 0891	88-118-104-080	0E	C-RES,S 100K-1/10W J	HTNM	AV-D37
X	MICON	R 0892	88-118-104-080	0E	C-RES,S 100K-1/10W J	HCNM	AV-D37
X	MICON	R 0892	88-118-104-080	0E	C-RES,S 100K-1/10W J	HRJNM	AV-D37
X	MICON	R 0892	88-118-104-080	0E	C-RES,S 100K-1/10W J	HTNM	AV-D37
X	MICON	R 0893	88-118-104-080	0E	C-RES,S 100K-1/10W J	HCNM	AV-D37
X	MICON	R 0893	88-118-104-080	0E	C-RES,S 100K-1/10W J	HRJNM	AV-D37
X	MICON	R 0893	88-118-104-080	0E	C-RES,S 100K-1/10W J	HTNM	AV-D37
X	MICON	R 0894	88-118-104-080	0E	C-RES,S 100K-1/10W J	HCNM	AV-D37
X	MICON	R 0894	88-118-104-080	0E	C-RES,S 100K-1/10W J	HRJNM	AV-D37
X	MICON	R 0894	88-118-104-080	0E	C-RES,S 100K-1/10W J	HTNM	AV-D37
X	MICON	R 0895	88-118-104-080	0E	C-RES,S 100K-1/10W J	HCNM	AV-D37
X	MICON	R 0895	88-118-104-080	0E	C-RES,S 100K-1/10W J	HRJNM	AV-D37
X	MICON	R 0895	88-118-104-080	0E	C-RES,S 100K-1/10W J	HTNM	AV-D37
X	MICON	R 0896	88-118-104-080	0E	C-RES,S 100K-1/10W J	HCNM	AV-D37
X	MICON	R 0896	88-118-104-080	0E	C-RES,S 100K-1/10W J	HRJNM	AV-D37
X	MICON	R 0896	88-118-104-080	0E	C-RES,S 100K-1/10W J	HTNM	AV-D37
X	MICON	R 0897	88-118-104-080	0E	C-RES,S 100K-1/10W J	HCNM	AV-D37
X	MICON	R 0897	88-118-104-080	0E	C-RES,S 100K-1/10W J	HRJNM	AV-D37
X	MICON	R 0897	88-118-104-080	0E	C-RES,S 100K-1/10W J	HTNM	AV-D37
X	MICON	R 0898	88-118-104-080	0E	C-RES,S 100K-1/10W J	HCNM	AV-D37
X	MICON	R 0898	88-118-104-080	0E	C-RES,S 100K-1/10W J	HRJNM	AV-D37
X	MICON	R 0898	88-118-104-080	0E	C-RES,S 100K-1/10W J	HTNM	AV-D37
X	MICON	R 0899	88-118-104-080	0E	C-RES,S 100K-1/10W J	HCNM	AV-D37
X	MICON	R 0899	88-118-104-080	0E	C-RES,S 100K-1/10W J	HRJNM	AV-D37
X	MICON	R 0899	88-118-104-080	0E	C-RES,S 100K-1/10W J	HTNM	AV-D37
X	MICON	R 0900	88-118-104-080	0E	C-RES,S 100K-1/10W J	HCNM	AV-D37
X	MICON	R 0900	88-118-104-080	0E	C-RES,S 100K-1/10W J	HRJNM	AV-D37
X	MICON	R 0900	88-118-104-080	0E	C-RES,S 100K-1/10W J	HTNM	AV-D37
X	MICON	R 0901	88-118-104-080	0E	C-RES,S 100K-1/10W J	HCNM	AV-D37
X	MICON	R 0901	88-118-104-080	0E	C-RES,S 100K-1/10W J	HRJNM	AV-D37
X	MICON	R 0901	88-118-104-080	0E	C-RES,S 100K-1/10W J	HTNM	AV-D37
X	MICON	R 0902	88-118-104-080	0E	C-RES,S 100K-1/10W J	HCNM	AV-D37
X	MICON	R 0902	88-118-104-080	0E	C-RES,S 100K-1/10W J	HRJNM	AV-D37
X	MICON	R 0902	88-118-104-080	0E	C-RES,S 100K-1/10W J	HTNM	AV-D37
X	MICON	R 0903	88-118-104-080	0E	C-RES,S 100K-1/10W J	HCNM	AV-D37
X	MICON	R 0903	88-118-104-080	0E	C-RES,S 100K-1/10W J	HRJNM	AV-D37
X	MICON	R 0903	88-118-104-080	0E	C-RES,S 100K-1/10W J	HTNM	AV-D37
X	MICON	R 0904	88-118-104-080	0E	C-RES,S 100K-1/10W J	HCNM	AV-D37
X	MICON	R 0904	88-118-104-080	0E	C-RES,S 100K-1/10W J	HRJNM	AV-D37
X	MICON	R 0904	88-118-104-080	0E	C-RES,S 100K-1/10W J	HTNM	AV-D37
X	MICON	R 0905	88-118-104-080	0E	C-RES,S 100K-1/10W J	HCNM	AV-D37

# PARTS LIST

! =  $\Delta$  SAFTY PARTS  
 C = Components marked

All components used on this model at the production line are shown in this service manual.

However, please note that not all components will be available as spare parts for after-sales service.

Components marked S and O are designated as spare parts for service and will be stocked at the spare parts centers.

Components marked X and R are not designated as spare parts for after sales service, and will not be stocked at the spare parts centers.

K NO. = Only use japanese.

! C	UNIT NAME	REF NO.	PARTS CODE	K NO.	DESCRIPTION	SUFFIX	MODEL NAME
X	MICON	R 0905	88-118-104-080	0E	C-RES,S 100K-1/10W J	HRJNM	AV-D37
X	MICON	R 0905	88-118-104-080	0E	C-RES,S 100K-1/10W J	HTNM	AV-D37
X	MICON	R 0906	88-118-104-080	0E	C-RES,S 100K-1/10W J	HCNM	AV-D37
X	MICON	R 0906	88-118-104-080	0E	C-RES,S 100K-1/10W J	HRJNM	AV-D37
X	MICON	R 0906	88-118-104-080	0E	C-RES,S 100K-1/10W J	HTNM	AV-D37
X	MICON	R 0907	88-118-104-080	0E	C-RES,S 100K-1/10W J	HCNM	AV-D37
X	MICON	R 0907	88-118-104-080	0E	C-RES,S 100K-1/10W J	HRJNM	AV-D37
X	MICON	R 0907	88-118-104-080	0E	C-RES,S 100K-1/10W J	HTNM	AV-D37
X	MICON	R 0908	88-118-104-080	0E	C-RES,S 100K-1/10W J	HCNM	AV-D37
X	MICON	R 0908	88-118-104-080	0E	C-RES,S 100K-1/10W J	HRJNM	AV-D37
X	MICON	R 0908	88-118-104-080	0E	C-RES,S 100K-1/10W J	HTNM	AV-D37
X	MICON	R 0909	88-118-104-080	0E	C-RES,S 100K-1/10W J	HCNM	AV-D37
X	MICON	R 0909	88-118-104-080	0E	C-RES,S 100K-1/10W J	HRJNM	AV-D37
X	MICON	R 0909	88-118-104-080	0E	C-RES,S 100K-1/10W J	HTNM	AV-D37
X	MICON	R 0910	88-118-104-080	0E	C-RES,S 100K-1/10W J	HCNM	AV-D37
X	MICON	R 0910	88-118-104-080	0E	C-RES,S 100K-1/10W J	HRJNM	AV-D37
X	MICON	R 0910	88-118-104-080	0E	C-RES,S 100K-1/10W J	HTNM	AV-D37
X	MICON	R 0911	88-118-104-080	0E	C-RES,S 100K-1/10W J	HCNM	AV-D37
X	MICON	R 0911	88-118-104-080	0E	C-RES,S 100K-1/10W J	HRJNM	AV-D37
X	MICON	R 0911	88-118-104-080	0E	C-RES,S 100K-1/10W J	HTNM	AV-D37
X	MICON	R 0912	88-118-104-080	0E	C-RES,S 100K-1/10W J	HCNM	AV-D37
X	MICON	R 0912	88-118-104-080	0E	C-RES,S 100K-1/10W J	HRJNM	AV-D37
X	MICON	R 0912	88-118-104-080	0E	C-RES,S 100K-1/10W J	HTNM	AV-D37
X	MICON	R 0913	88-118-104-080	0E	C-RES,S 100K-1/10W J	HCNM	AV-D37
X	MICON	R 0913	88-118-104-080	0E	C-RES,S 100K-1/10W J	HRJNM	AV-D37
X	MICON	R 0913	88-118-104-080	0E	C-RES,S 100K-1/10W J	HTNM	AV-D37
X	MICON	R 0914	88-118-104-080	0E	C-RES,S 100K-1/10W J	HCNM	AV-D37
X	MICON	R 0914	88-118-104-080	0E	C-RES,S 100K-1/10W J	HRJNM	AV-D37
X	MICON	R 0914	88-118-104-080	0E	C-RES,S 100K-1/10W J	HTNM	AV-D37
X	MICON	R 0915	88-118-104-080	0E	C-RES,S 100K-1/10W J	HCNM	AV-D37
X	MICON	R 0915	88-118-104-080	0E	C-RES,S 100K-1/10W J	HRJNM	AV-D37
X	MICON	R 0915	88-118-104-080	0E	C-RES,S 100K-1/10W J	HTNM	AV-D37
X	MICON	R 0916	88-118-104-080	0E	C-RES,S 100K-1/10W J	HCNM	AV-D37
X	MICON	R 0916	88-118-104-080	0E	C-RES,S 100K-1/10W J	HRJNM	AV-D37
X	MICON	R 0916	88-118-104-080	0E	C-RES,S 100K-1/10W J	HTNM	AV-D37
X	MICON	R 0917	88-118-104-080	0E	C-RES,S 100K-1/10W J	HCNM	AV-D37
X	MICON	R 0917	88-118-104-080	0E	C-RES,S 100K-1/10W J	HRJNM	AV-D37
X	MICON	R 0917	88-118-104-080	0E	C-RES,S 100K-1/10W J	HTNM	AV-D37
X	MICON	R 0918	88-118-104-080	0E	C-RES,S 100K-1/10W J	HCNM	AV-D37
X	MICON	R 0918	88-118-104-080	0E	C-RES,S 100K-1/10W J	HRJNM	AV-D37
X	MICON	R 0918	88-118-104-080	0E	C-RES,S 100K-1/10W J	HTNM	AV-D37
X	MICON	R 0918	88-118-104-080	0E	C-RES,S 100K-1/10W J	HCNM	AV-D37
X	MICON	R 0920	88-118-104-080	0E	C-RES,S 100K-1/10W J	HRJNM	AV-D37
X	MICON	R 0920	88-118-104-080	0E	C-RES,S 100K-1/10W J	HTNM	AV-D37
X	MICON	R 0920	88-118-104-080	0E	C-RES,S 100K-1/10W J	HCNM	AV-D37
X	MICON	R 0921	88-118-104-080	0E	C-RES,S 100K-1/10W J	HRJNM	AV-D37
X	MICON	R 0921	88-118-104-080	0E	C-RES,S 100K-1/10W J	HTNM	AV-D37
X	MICON	R 0922	88-118-104-080	0E	C-RES,S 100K-1/10W J	HCNM	AV-D37
X	MICON	R 0922	88-118-104-080	0E	C-RES,S 100K-1/10W J	HRJNM	AV-D37
X	MICON	R 0922	88-118-104-080	0E	C-RES,S 100K-1/10W J	HTNM	AV-D37
X	MICON	R 0923	88-128-104-080	0E	C-RES, 100K-1/8W J	HCNM	AV-D37
X	MICON	R 0923	88-128-104-080	0E	C-RES, 100K-1/8W J	HRJNM	AV-D37
X	MICON	R 0923	88-128-104-080	0E	C-RES, 100K-1/8W J	HTNM	AV-D37
X	MICON	R 0924	88-100-000-010	0E	PLATING-JW, 0.58 SN95	HCNM	AV-D37
X	MICON	R 0924	88-100-000-010	0E	PLATING-JW, 0.58 SN95	HRJNM	AV-D37
X	MICON	R 0924	88-100-000-010	0E	PLATING-JW, 0.58 SN95	HTNM	AV-D37
X	MICON	R 0925	88-128-100-080	0E	C-RES, 10-1/8W J	HCNM	AV-D37
X	MICON	R 0925	88-128-100-080	0E	C-RES, 10-1/8W J	HRJNM	AV-D37
X	MICON	R 0925	88-128-100-080	0E	C-RES, 10-1/8W J	HTNM	AV-D37
X	MICON	R 0926	88-128-152-080	0E	C-RES, 1.5K-1/8W J	HCNM	AV-D37
X	MICON	R 0926	88-128-152-080	0E	C-RES, 1.5K-1/8W J	HRJNM	AV-D37
X	MICON	R 0926	88-128-152-080	0E	C-RES, 1.5K-1/8W J	HTNM	AV-D37
X	MICON	R 0927	88-121-682-080	0E	RES,6.8K-1/8W J	HCNM	AV-D37
X	MICON	R 0927	88-121-682-080	0E	RES,6.8K-1/8W J	HRJNM	AV-D37
X	MICON	R 0927	88-121-682-080	0E	RES,6.8K-1/8W J	HTNM	AV-D37
X	MICON	R 0928	88-121-682-080	0E	RES,6.8K-1/8W J	HCNM	AV-D37
X	MICON	R 0928	88-121-682-080	0E	RES,6.8K-1/8W J	HRJNM	AV-D37
X	MICON	R 0928	88-121-682-080	0E	RES,6.8K-1/8W J	HTNM	AV-D37
X	MICON	R 0929	88-128-152-080	0E	C-RES, 1.5K-1/8W J	HCNM	AV-D37
X	MICON	R 0929	88-128-152-080	0E	C-RES, 1.5K-1/8W J	HRJNM	AV-D37

# PARTS LIST

! =  $\Delta$  SAFTY PARTS  
 C = Components marked

All components used on this model at the production line are shown in this service manual.

However, please note that not all components will be available as spare parts for after-sales service.

Components marked S and O are designated as spare parts for service and will be stocked at the spare parts centers.

Components marked X and R are not designated as spare parts for after sales service, and will not be stocked at the spare parts centers.

K NO. = Only use japanese.

! C	UNIT NAME	REF NO.	PARTS CODE	K NO.	DESCRIPTION	SUFFIX	MODEL NAME
X	MICON	R 0929	88-128-152-080	0E	C-RES, 1.5K-1/8W J	HTNM	AV-D37
X	MICON	R 0930	88-100-000-010	0E	PLATING-JW, 0.58 SN95	HCNM	AV-D37
X	MICON	R 0930	88-100-000-010	0E	PLATING-JW, 0.58 SN95	HRJNM	AV-D37
X	MICON	R 0930	88-100-000-010	0E	PLATING-JW, 0.58 SN95	HTNM	AV-D37
X	MICON	R 0931	88-128-223-080	0E	C-RES, 22K-1/8W J	HCNM	AV-D37
X	MICON	R 0931	88-128-223-080	0E	C-RES, 22K-1/8W J	HRJNM	AV-D37
X	MICON	R 0931	88-128-223-080	0E	C-RES, 22K-1/8W J	HTNM	AV-D37
X	MICON	R 0932	88-128-100-080	0E	C-RES, 10-1/8W J	HCNM	AV-D37
X	MICON	R 0932	88-128-100-080	0E	C-RES, 10-1/8W J	HRJNM	AV-D37
X	MICON	R 0932	88-128-100-080	0E	C-RES, 10-1/8W J	HTNM	AV-D37
X	MICON	R 0936	88-118-102-080	0E	C-RES,S 1K-1/10W J	HCNM	AV-D37
X	MICON	R 0936	88-118-102-080	0E	C-RES,S 1K-1/10W J	HRJNM	AV-D37
X	MICON	R 0936	88-118-102-080	0E	C-RES,S 1K-1/10W J	HTNM	AV-D37
X	MICON	R 0937	88-118-102-080	0E	C-RES,S 1K-1/10W J	HCNM	AV-D37
X	MICON	R 0937	88-118-102-080	0E	C-RES,S 1K-1/10W J	HRJNM	AV-D37
X	MICON	R 0937	88-118-102-080	0E	C-RES,S 1K-1/10W J	HTNM	AV-D37
X	MICON	R 0938	88-118-102-080	0E	C-RES,S 1K-1/10W J	HCNM	AV-D37
X	MICON	R 0938	88-118-102-080	0E	C-RES,S 1K-1/10W J	HRJNM	AV-D37
X	MICON	R 0938	88-118-102-080	0E	C-RES,S 1K-1/10W J	HTNM	AV-D37
X	MICON	R 0939	88-118-101-080	0E	C-RES,S 100-1/10W J	HCNM	AV-D37
X	MICON	R 0939	88-118-101-080	0E	C-RES,S 100-1/10W J	HRJNM	AV-D37
X	MICON	R 0939	88-118-101-080	0E	C-RES,S 100-1/10W J	HTNM	AV-D37
X	MICON	R 0940	88-118-101-080	0E	C-RES,S 100-1/10W J	HCNM	AV-D37
X	MICON	R 0940	88-118-101-080	0E	C-RES,S 100-1/10W J	HRJNM	AV-D37
X	MICON	R 0940	88-118-101-080	0E	C-RES,S 100-1/10W J	HTNM	AV-D37
X	MICON	R 0942	88-118-102-080	0E	C-RES,S 1K-1/10W J	HCNM	AV-D37
X	MICON	R 0942	88-118-102-080	0E	C-RES,S 1K-1/10W J	HRJNM	AV-D37
X	MICON	R 0942	88-118-102-080	0E	C-RES,S 1K-1/10W J	HTNM	AV-D37
X	MICON	R 0943	88-118-102-080	0E	C-RES,S 1K-1/10W J	HCNM	AV-D37
X	MICON	R 0943	88-118-102-080	0E	C-RES,S 1K-1/10W J	HRJNM	AV-D37
X	MICON	R 0943	88-118-102-080	0E	C-RES,S 1K-1/10W J	HTNM	AV-D37
X	MICON	R 0944	88-118-102-080	0E	C-RES,S 1K-1/10W J	HCNM	AV-D37
X	MICON	R 0944	88-118-102-080	0E	C-RES,S 1K-1/10W J	HRJNM	AV-D37
X	MICON	R 0944	88-118-102-080	0E	C-RES,S 1K-1/10W J	HTNM	AV-D37
X	MICON	R 0945	88-118-102-080	0E	C-RES,S 1K-1/10W J	HCNM	AV-D37
X	MICON	R 0945	88-118-102-080	0E	C-RES,S 1K-1/10W J	HRJNM	AV-D37
X	MICON	R 0945	88-118-102-080	0E	C-RES,S 1K-1/10W J	HTNM	AV-D37
X	MICON	R 0946	88-118-102-080	0E	C-RES,S 1K-1/10W J	HCNM	AV-D37
X	MICON	R 0946	88-118-102-080	0E	C-RES,S 1K-1/10W J	HRJNM	AV-D37
X	MICON	R 0946	88-118-102-080	0E	C-RES,S 1K-1/10W J	HTNM	AV-D37
X	MICON	R 0947	88-118-102-080	0E	C-RES,S 1K-1/10W J	HCNM	AV-D37
X	MICON	R 0947	88-118-102-080	0E	C-RES,S 1K-1/10W J	HRJNM	AV-D37
X	MICON	R 0947	88-118-102-080	0E	C-RES,S 1K-1/10W J	HTNM	AV-D37
X	MICON	R 0948	88-118-102-080	0E	C-RES,S 1K-1/10W J	HCNM	AV-D37
X	MICON	R 0948	88-118-102-080	0E	C-RES,S 1K-1/10W J	HRJNM	AV-D37
X	MICON	R 0948	88-118-102-080	0E	C-RES,S 1K-1/10W J	HTNM	AV-D37
X	MICON	R 0949	88-118-102-080	0E	C-RES,S 1K-1/10W J	HCNM	AV-D37
X	MICON	R 0949	88-118-102-080	0E	C-RES,S 1K-1/10W J	HRJNM	AV-D37
X	MICON	R 0949	88-118-102-080	0E	C-RES,S 1K-1/10W J	HTNM	AV-D37
X	MICON	R 0950	88-129-000-080	0E	C-JUMPER,3216	HCNM	AV-D37
X	MICON	R 0950	88-129-000-080	0E	C-JUMPER,3216	HRJNM	AV-D37
X	MICON	R 0950	88-129-000-080	0E	C-JUMPER,3216	HTNM	AV-D37
X	MICON	R 0951	88-129-000-080	0E	C-JUMPER,3216	HCNM	AV-D37
X	MICON	R 0951	88-129-000-080	0E	C-JUMPER,3216	HRJNM	AV-D37
X	MICON	R 0951	88-129-000-080	0E	C-JUMPER,3216	HTNM	AV-D37
X	MICON	R 0952	88-118-470-080	0E	C-RES,S 47-1/10W J	HCNM	AV-D37
X	MICON	R 0952	88-118-470-080	0E	C-RES,S 47-1/10W J	HRJNM	AV-D37
X	MICON	R 0952	88-118-470-080	0E	C-RES,S 47-1/10W J	HTNM	AV-D37
X	MICON	R 0953	88-118-101-080	0E	C-RES,S 100-1/10W J	HCNM	AV-D37
X	MICON	R 0953	88-118-101-080	0E	C-RES,S 100-1/10W J	HRJNM	AV-D37
X	MICON	R 0953	88-118-101-080	0E	C-RES,S 100-1/10W J	HTNM	AV-D37
X	MICON	R 0954	88-118-101-080	0E	C-RES,S 100-1/10W J	HCNM	AV-D37
X	MICON	R 0954	88-118-101-080	0E	C-RES,S 100-1/10W J	HRJNM	AV-D37
X	MICON	R 0954	88-118-101-080	0E	C-RES,S 100-1/10W J	HTNM	AV-D37
X	MICON	R 0972	88-121-223-080	0E	RES,22K-1/8W J	HCNM	AV-D37
X	MICON	R 0972	88-121-223-080	0E	RES,22K-1/8W J	HRJNM	AV-D37
X	MICON	R 0972	88-121-223-080	0E	RES,22K-1/8W J	HTNM	AV-D37
X	MICON	R 0975	88-118-102-080	0E	C-RES,S 1K-1/10W J	HCNM	AV-D37
X	MICON	R 0975	88-118-102-080	0E	C-RES,S 1K-1/10W J	HRJNM	AV-D37
X	MICON	R 0975	88-118-102-080	0E	C-RES,S 1K-1/10W J	HTNM	AV-D37



# PARTS LIST

! =  $\Delta$  SAFTY PARTS  
 C = Components marked

All components used on this model at the production line are shown in this service manual.

However, please note that not all components will be available as spare parts for after-sales service.

Components marked S and O are designated as spare parts for service and will be stocked at the spare parts centers.

Components marked X and R are not designated as spare parts for after sales service, and will not be stocked at the spare parts centers.

K NO. = Only use japanese.

! C	UNIT NAME	REF NO.	PARTS CODE	K NO.	DESCRIPTION	SUFFIX	MODEL NAME
X	MICON	R 0976	88-121-102-080	0E	RES,1K-1/8W J	HCNM	AV-D37
X	MICON	R 0976	88-121-102-080	0E	RES,1K-1/8W J	HRJNM	AV-D37
X	MICON	R 0976	88-121-102-080	0E	RES,1K-1/8W J	HTNM	AV-D37
X	MICON	R 0979	88-118-473-080	0E	C-RES,S 47K-1/10W J	HCNM	AV-D37
X	MICON	R 0979	88-118-473-080	0E	C-RES,S 47K-1/10W J	HRJNM	AV-D37
X	MICON	R 0979	88-118-473-080	0E	C-RES,S 47K-1/10W J	HTNM	AV-D37
X	MICON	R 0980	88-118-103-080	0E	C-RES,S 10K-1/10W J	HCNM	AV-D37
X	MICON	R 0980	88-118-103-080	0E	C-RES,S 10K-1/10W J	HRJNM	AV-D37
X	MICON	R 0980	88-118-103-080	0E	C-RES,S 10K-1/10W J	HTNM	AV-D37
O	MICON	S 0801	87-A90-095-080	0E	SW,TACT EVQ11G04M	HCNM	AV-D37
O	MICON	S 0801	87-A90-095-080	0E	SW,TACT EVQ11G04M	HRJNM	AV-D37
O	MICON	S 0801	87-A90-095-080	0E	SW,TACT EVQ11G04M	HTNM	AV-D37
O	MICON	S 0802	87-A90-095-080	0E	SW,TACT EVQ11G04M	HCNM	AV-D37
O	MICON	S 0802	87-A90-095-080	0E	SW,TACT EVQ11G04M	HRJNM	AV-D37
O	MICON	S 0802	87-A90-095-080	0E	SW,TACT EVQ11G04M	HTNM	AV-D37
O	MICON	S 0803	87-A90-095-080	0E	SW,TACT EVQ11G04M	HCNM	AV-D37
O	MICON	S 0803	87-A90-095-080	0E	SW,TACT EVQ11G04M	HRJNM	AV-D37
O	MICON	S 0803	87-A90-095-080	0E	SW,TACT EVQ11G04M	HTNM	AV-D37
O	MICON	S 0804	87-A90-095-080	0E	SW,TACT EVQ11G04M	HCNM	AV-D37
O	MICON	S 0804	87-A90-095-080	0E	SW,TACT EVQ11G04M	HRJNM	AV-D37
O	MICON	S 0804	87-A90-095-080	0E	SW,TACT EVQ11G04M	HTNM	AV-D37
O	MICON	S 0805	87-A90-095-080	0E	SW,TACT EVQ11G04M	HCNM	AV-D37
O	MICON	S 0805	87-A90-095-080	0E	SW,TACT EVQ11G04M	HRJNM	AV-D37
O	MICON	S 0805	87-A90-095-080	0E	SW,TACT EVQ11G04M	HTNM	AV-D37
O	MICON	S 0806	87-A90-095-080	0E	SW,TACT EVQ11G04M	HCNM	AV-D37
O	MICON	S 0806	87-A90-095-080	0E	SW,TACT EVQ11G04M	HRJNM	AV-D37
O	MICON	S 0806	87-A90-095-080	0E	SW,TACT EVQ11G04M	HTNM	AV-D37
O	MICON	S 0807	87-A90-095-080	0E	SW,TACT EVQ11G04M	HCNM	AV-D37
O	MICON	S 0807	87-A90-095-080	0E	SW,TACT EVQ11G04M	HRJNM	AV-D37
O	MICON	S 0807	87-A90-095-080	0E	SW,TACT EVQ11G04M	HTNM	AV-D37
O	MICON	S 0808	87-A90-095-080	0E	SW,TACT EVQ11G04M	HCNM	AV-D37
O	MICON	S 0808	87-A90-095-080	0E	SW,TACT EVQ11G04M	HRJNM	AV-D37
O	MICON	S 0808	87-A90-095-080	0E	SW,TACT EVQ11G04M	HTNM	AV-D37
O	MICON	S 0809	87-A90-095-080	0E	SW,TACT EVQ11G04M	HCNM	AV-D37
O	MICON	S 0809	87-A90-095-080	0E	SW,TACT EVQ11G04M	HRJNM	AV-D37
O	MICON	S 0809	87-A90-095-080	0E	SW,TACT EVQ11G04M	HTNM	AV-D37
O	MICON	S 0810	87-A90-095-080	0E	SW,TACT EVQ11G04M	HCNM	AV-D37
O	MICON	S 0810	87-A90-095-080	0E	SW,TACT EVQ11G04M	HRJNM	AV-D37
O	MICON	S 0810	87-A90-095-080	0E	SW,TACT EVQ11G04M	HTNM	AV-D37
O	MICON	S 0811	87-A90-095-080	0E	SW,TACT EVQ11G04M	HCNM	AV-D37
O	MICON	S 0811	87-A90-095-080	0E	SW,TACT EVQ11G04M	HRJNM	AV-D37
O	MICON	S 0811	87-A90-095-080	0E	SW,TACT EVQ11G04M	HTNM	AV-D37
O	MICON	S 0812	87-A90-095-080	0E	SW,TACT EVQ11G04M	HCNM	AV-D37
O	MICON	S 0812	87-A90-095-080	0E	SW,TACT EVQ11G04M	HRJNM	AV-D37
O	MICON	S 0812	87-A90-095-080	0E	SW,TACT EVQ11G04M	HTNM	AV-D37
O	MICON	S 0813	87-A90-095-080	0E	SW,TACT EVQ11G04M	HCNM	AV-D37
O	MICON	S 0813	87-A90-095-080	0E	SW,TACT EVQ11G04M	HRJNM	AV-D37
O	MICON	S 0813	87-A90-095-080	0E	SW,TACT EVQ11G04M	HTNM	AV-D37
O	MICON	S 0814	87-A90-095-080	0E	SW,TACT EVQ11G04M	HCNM	AV-D37
O	MICON	S 0814	87-A90-095-080	0E	SW,TACT EVQ11G04M	HRJNM	AV-D37
O	MICON	S 0814	87-A90-095-080	0E	SW,TACT EVQ11G04M	HTNM	AV-D37
O	MICON	S 0815	87-A90-095-080	0E	SW,TACT EVQ11G04M	HCNM	AV-D37
O	MICON	S 0815	87-A90-095-080	0E	SW,TACT EVQ11G04M	HRJNM	AV-D37
O	MICON	S 0815	87-A90-095-080	0E	SW,TACT EVQ11G04M	HTNM	AV-D37
O	MICON	S 0816	87-A90-095-080	0E	SW,TACT EVQ11G04M	HCNM	AV-D37
O	MICON	S 0816	87-A90-095-080	0E	SW,TACT EVQ11G04M	HRJNM	AV-D37
O	MICON	S 0816	87-A90-095-080	0E	SW,TACT EVQ11G04M	HTNM	AV-D37
O	MICON	S 0817	87-A90-095-080	0E	SW,TACT EVQ11G04M	HCNM	AV-D37
O	MICON	S 0817	87-A90-095-080	0E	SW,TACT EVQ11G04M	HRJNM	AV-D37
O	MICON	S 0817	87-A90-095-080	0E	SW,TACT EVQ11G04M	HTNM	AV-D37
O	MICON	SW 0801	87-A91-646-010	1A	SW,RTRY EC12E12204	HCNM	AV-D37
O	MICON	SW 0801	87-A91-646-010	1A	SW,RTRY EC12E12204	HRJNM	AV-D37
O	MICON	SW 0801	87-A91-646-010	1A	SW,RTRY EC12E12204	HTNM	AV-D37
O	MICON	SW 0802	87-A91-647-010	1A	SW,RTRY EC12E12504	HCNM	AV-D37
O	MICON	SW 0802	87-A91-647-010	1A	SW,RTRY EC12E12504	HRJNM	AV-D37
O	MICON	SW 0802	87-A91-647-010	1A	SW,RTRY EC12E12504	HTNM	AV-D37
X	OSD/KEY CON	*	8A-AR1-637-110	1	PWB,OSD /KEYCON /MIC	HCNM	AV-D37
X	OSD/KEY CON	*	8A-AR1-637-110	1	PWB,OSD /KEYCON /MIC	HRJNM	AV-D37
X	OSD/KEY CON	*	8A-AR1-637-110	1	PWB,OSD /KEYCON /MIC	HTNM	AV-D37
X	OSD/KEY CON	*	8A-AR1-638-110	--	PWB,OSD /KEYCON	HCNM	AV-D37

# PARTS LIST

! =  $\Delta$  SAFTY PARTS  
 C = Components marked

All components used on this model at the production line are shown in this service manual.

However, please note that not all components will be available as spare parts for after-sales service.

Components marked S and O are designated as spare parts for service and will be stocked at the spare parts centers.

Components marked X and R are not designated as spare parts for after sales service, and will not be stocked at the spare parts centers.

K NO. = Only use japanese.

! C	UNIT NAME	REF NO.	PARTS CODE	K NO.	DESCRIPTION	SUFFIX	MODEL NAME
X	OSD/KEY CON	*	8A-AR1-638-110	--	PWB,OSD /KEYCON	HRJNM	AV-D37
X	OSD/KEY CON	*	8A-AR1-638-110	--	PWB,OSD /KEYCON	HTNM	AV-D37
X	OSD/KEY CON	*	8A-AR1-639-110	--	PWB,MIC	HCNM	AV-D37
X	OSD/KEY CON	*	8A-AR1-639-110	--	PWB,MIC	HRJNM	AV-D37
X	OSD/KEY CON	*	8A-AR1-639-110	--	PWB,MIC	HTNM	AV-D37
X	OSD/KEY CON	C 0650	88-707-779-810	0E	CAP,M 0.18-50 J TF	HCNM	AV-D37
X	OSD/KEY CON	C 0650	88-707-779-810	0E	CAP,M 0.18-50 J TF	HRJNM	AV-D37
X	OSD/KEY CON	C 0650	88-707-779-810	0E	CAP,M 0.18-50 J TF	HTNM	AV-D37
X	OSD/KEY CON	C 0651	88-707-779-810	0E	CAP,M 0.18-50 J TF	HCNM	AV-D37
X	OSD/KEY CON	C 0651	88-707-779-810	0E	CAP,M 0.18-50 J TF	HRJNM	AV-D37
X	OSD/KEY CON	C 0651	88-707-779-810	0E	CAP,M 0.18-50 J TF	HTNM	AV-D37
O	OSD/KEY CON	C 0652	87-010-196-080	0E	C-CAP,S 0.1-25 Z F C2012	HCNM	AV-D37
O	OSD/KEY CON	C 0652	87-010-196-080	0E	C-CAP,S 0.1-25 Z F C2012	HRJNM	AV-D37
O	OSD/KEY CON	C 0652	87-010-196-080	0E	C-CAP,S 0.1-25 Z F C2012	HTNM	AV-D37
O	OSD/KEY CON	C 0653	87-012-154-080	0E	C-CAP,S 150P-50 J CH GRM	HCNM	AV-D37
O	OSD/KEY CON	C 0653	87-012-154-080	0E	C-CAP,S 150P-50 J CH GRM	HRJNM	AV-D37
O	OSD/KEY CON	C 0653	87-012-154-080	0E	C-CAP,S 150P-50 J CH GRM	HTNM	AV-D37
O	OSD/KEY CON	C 0654	87-010-183-080	0E	C-CAP,S 2700P-50 K B GRM	HCNM	AV-D37
O	OSD/KEY CON	C 0654	87-010-183-080	0E	C-CAP,S 2700P-50 K B GRM	HRJNM	AV-D37
O	OSD/KEY CON	C 0654	87-010-183-080	0E	C-CAP,S 2700P-50 K B GRM	HTNM	AV-D37
O	OSD/KEY CON	C 0655	87-010-196-080	0E	C-CAP,S 0.1-25 Z F C2012	HCNM	AV-D37
O	OSD/KEY CON	C 0655	87-010-196-080	0E	C-CAP,S 0.1-25 Z F C2012	HRJNM	AV-D37
O	OSD/KEY CON	C 0655	87-010-196-080	0E	C-CAP,S 0.1-25 Z F C2012	HTNM	AV-D37
O	OSD/KEY CON	C 0656	87-012-154-080	0E	C-CAP,S 150P-50 J CH GRM	HCNM	AV-D37
O	OSD/KEY CON	C 0656	87-012-154-080	0E	C-CAP,S 150P-50 J CH GRM	HRJNM	AV-D37
O	OSD/KEY CON	C 0656	87-012-154-080	0E	C-CAP,S 150P-50 J CH GRM	HTNM	AV-D37
O	OSD/KEY CON	C 0657	87-010-183-080	0E	C-CAP,S 2700P-50 K B GRM	HCNM	AV-D37
O	OSD/KEY CON	C 0657	87-010-183-080	0E	C-CAP,S 2700P-50 K B GRM	HRJNM	AV-D37
O	OSD/KEY CON	C 0657	87-010-183-080	0E	C-CAP,S 2700P-50 K B GRM	HTNM	AV-D37
O	OSD/KEY CON	C 0658	87-012-145-080	0E	C-CAP,S 270P-50 J CH GRM	HCNM	AV-D37
O	OSD/KEY CON	C 0658	87-012-145-080	0E	C-CAP,S 270P-50 J CH GRM	HRJNM	AV-D37
O	OSD/KEY CON	C 0659	87-010-177-080	0E	C-CAP,S 820P-50 J SL C2012	HCNM	AV-D37
O	OSD/KEY CON	C 0659	87-010-177-080	0E	C-CAP,S 820P-50 J SL C2012	HRJNM	AV-D37
O	OSD/KEY CON	C 0659	87-010-177-080	0E	C-CAP,S 820P-50 J SL C2012	HTNM	AV-D37
O	OSD/KEY CON	C 0670	87-012-145-080	0E	C-CAP,S 270P-50 J CH GRM	HCNM	AV-D37
O	OSD/KEY CON	C 0670	87-012-145-080	0E	C-CAP,S 270P-50 J CH GRM	HRJNM	AV-D37
O	OSD/KEY CON	C 0670	87-012-145-080	0E	C-CAP,S 270P-50 J CH GRM	HTNM	AV-D37
O	OSD/KEY CON	C 0671	87-010-177-080	0E	C-CAP,S 820P-50 J SL C2012	HCNM	AV-D37
O	OSD/KEY CON	C 0671	87-010-177-080	0E	C-CAP,S 820P-50 J SL C2012	HRJNM	AV-D37
O	OSD/KEY CON	C 0671	87-010-177-080	0E	C-CAP,S 820P-50 J SL C2012	HTNM	AV-D37
O	OSD/KEY CON	C 0672	87-010-196-080	0E	C-CAP,S 0.1-25 Z F C2012	HCNM	AV-D37
O	OSD/KEY CON	C 0672	87-010-196-080	0E	C-CAP,S 0.1-25 Z F C2012	HRJNM	AV-D37
O	OSD/KEY CON	C 0672	87-010-196-080	0E	C-CAP,S 0.1-25 Z F C2012	HTNM	AV-D37
O	OSD/KEY CON	C 0674	87-010-196-080	0E	C-CAP,S 0.1-25 Z F C2012	HCNM	AV-D37
O	OSD/KEY CON	C 0674	87-010-196-080	0E	C-CAP,S 0.1-25 Z F C2012	HRJNM	AV-D37
O	OSD/KEY CON	C 0674	87-010-196-080	0E	C-CAP,S 0.1-25 Z F C2012	HTNM	AV-D37
O	OSD/KEY CON	C 0675	87-010-263-080	0E	CAP,E 100-10 M 11L SME	HCNM	AV-D37
O	OSD/KEY CON	C 0675	87-010-263-080	0E	CAP,E 100-10 M 11L SME	HRJNM	AV-D37
O	OSD/KEY CON	C 0675	87-010-263-080	0E	CAP,E 100-10 M 11L SME	HTNM	AV-D37
O	OSD/KEY CON	C 0676	87-010-374-080	0E	CAP,E 47-10 M 11L SME	HCNM	AV-D37
O	OSD/KEY CON	C 0676	87-010-374-080	0E	CAP,E 47-10 M 11L SME	HRJNM	AV-D37
O	OSD/KEY CON	C 0676	87-010-374-080	0E	CAP,E 47-10 M 11L SME	HTNM	AV-D37
X	OSD/KEY CON	C 0677	88-707-939-810	0E	CAP,M 0.22-50 J TF	HCNM	AV-D37
X	OSD/KEY CON	C 0677	88-707-939-810	0E	CAP,M 0.22-50 J TF	HRJNM	AV-D37
X	OSD/KEY CON	C 0677	88-707-939-810	0E	CAP,M 0.22-50 J TF	HTNM	AV-D37
X	OSD/KEY CON	C 0678	88-707-939-810	0E	CAP,M 0.22-50 J TF	HCNM	AV-D37
X	OSD/KEY CON	C 0678	88-707-939-810	0E	CAP,M 0.22-50 J TF	HRJNM	AV-D37
X	OSD/KEY CON	C 0678	88-707-939-810	0E	CAP,M 0.22-50 J TF	HTNM	AV-D37
X	OSD/KEY CON	C 0679	88-707-939-810	0E	CAP,M 0.22-50 J TF	HCNM	AV-D37
X	OSD/KEY CON	C 0679	88-707-939-810	0E	CAP,M 0.22-50 J TF	HRJNM	AV-D37
X	OSD/KEY CON	C 0679	88-707-939-810	0E	CAP,M 0.22-50 J TF	HTNM	AV-D37
!	O	CN 0508	87-099-669-010	0E	CONN,8P H TUC-08PX-B1	HCNM	AV-D37
!	O	CN 0508	87-099-669-010	0E	CONN,8P H TUC-08PX-B1	HRJNM	AV-D37
!	O	CN 0508	87-099-669-010	0E	CONN,8P H TUC-08PX-B1	HTNM	AV-D37
S	O	D 0650	87-070-136-080	0E	ZENER,MTZJ5.1B	HCNM	AV-D37
S	O	D 0650	87-070-136-080	0E	ZENER,MTZJ5.1B	HRJNM	AV-D37
S	O	D 0650	87-070-136-080	0E	ZENER,MTZJ5.1B	HTNM	AV-D37
S	O	IC 0650	87-A20-561-040	2A	C-IC,M65847AFP	HCNM	AV-D37
S	O	IC 0650	87-A20-561-040	2A	C-IC,M65847AFP	HRJNM	AV-D37

# PARTS LIST

! =  $\Delta$  SAFTY PARTS  
 C = Components marked

All components used on this model at the production line are shown in this service manual.

However, please note that not all components will be available as spare parts for after-sales service.

Components marked S and O are designated as spare parts for service and will be stocked at the spare parts centers.

Components marked X and R are not designated as spare parts for after sales service, and will not be stocked at the spare parts centers.

K NO. = Only use japanese.

! C	UNIT NAME	REF NO.	PARTS CODE	K NO.	DESCRIPTION	SUFFIX	MODEL NAME
S	OSD/KEY CON	IC 0650	87-A20-561-040	2A	C-IC,M65847AFP	HTNM	AV-D37
X	OSD/KEY CON	JR 0101	88-118-000-080	0E	C-JUMPER,S	HCNM	AV-D37
X	OSD/KEY CON	JR 0101	88-118-000-080	0E	C-JUMPER,S	HRJNM	AV-D37
X	OSD/KEY CON	JR 0101	88-118-000-080	0E	C-JUMPER,S	HTNM	AV-D37
X	OSD/KEY CON	JR 0102	88-118-000-080	0E	C-JUMPER,S	HCNM	AV-D37
X	OSD/KEY CON	JR 0102	88-118-000-080	0E	C-JUMPER,S	HRJNM	AV-D37
X	OSD/KEY CON	JR 0102	88-118-000-080	0E	C-JUMPER,S	HTNM	AV-D37
X	OSD/KEY CON	JR 0103	88-129-000-080	0E	C-JUMPER,3216	HCNM	AV-D37
X	OSD/KEY CON	JR 0103	88-129-000-080	0E	C-JUMPER,3216	HRJNM	AV-D37
X	OSD/KEY CON	JR 0103	88-129-000-080	0E	C-JUMPER,3216	HTNM	AV-D37
X	OSD/KEY CON	JR 0104	88-129-000-080	0E	C-JUMPER,3216	HCNM	AV-D37
X	OSD/KEY CON	JR 0104	88-129-000-080	0E	C-JUMPER,3216	HRJNM	AV-D37
X	OSD/KEY CON	JR 0104	88-129-000-080	0E	C-JUMPER,3216	HTNM	AV-D37
X	OSD/KEY CON	JR 0105	88-118-000-080	0E	C-JUMPER,S	HCNM	AV-D37
X	OSD/KEY CON	JR 0105	88-118-000-080	0E	C-JUMPER,S	HRJNM	AV-D37
X	OSD/KEY CON	JR 0105	88-118-000-080	0E	C-JUMPER,S	HTNM	AV-D37
X	OSD/KEY CON	JR 0106	88-118-000-080	0E	C-JUMPER,S	HCNM	AV-D37
X	OSD/KEY CON	JR 0106	88-118-000-080	0E	C-JUMPER,S	HRJNM	AV-D37
X	OSD/KEY CON	JR 0106	88-118-000-080	0E	C-JUMPER,S	HTNM	AV-D37
X	OSD/KEY CON	JR 0651	88-129-000-080	0E	C-JUMPER,3216	HCNM	AV-D37
X	OSD/KEY CON	JR 0651	88-129-000-080	0E	C-JUMPER,3216	HRJNM	AV-D37
X	OSD/KEY CON	JR 0652	88-129-000-080	0E	C-JUMPER,3216	HCNM	AV-D37
X	OSD/KEY CON	JR 0652	88-129-000-080	0E	C-JUMPER,3216	HRJNM	AV-D37
X	OSD/KEY CON	JR 0652	88-129-000-080	0E	C-JUMPER,3216	HTNM	AV-D37
X	OSD/KEY CON	R 0650	88-118-563-080	0E	C-RES,S 56K-1/10W J	HCNM	AV-D37
X	OSD/KEY CON	R 0650	88-118-563-080	0E	C-RES,S 56K-1/10W J	HRJNM	AV-D37
X	OSD/KEY CON	R 0650	88-118-563-080	0E	C-RES,S 56K-1/10W J	HTNM	AV-D37
X	OSD/KEY CON	R 0651	88-118-333-080	0E	C-RES,S 33K-1/10W J	HCNM	AV-D37
X	OSD/KEY CON	R 0651	88-118-333-080	0E	C-RES,S 33K-1/10W J	HRJNM	AV-D37
X	OSD/KEY CON	R 0651	88-118-333-080	0E	C-RES,S 33K-1/10W J	HTNM	AV-D37
X	OSD/KEY CON	R 0652	88-118-183-080	0E	C-RES,S 18K-1/10W J	HCNM	AV-D37
X	OSD/KEY CON	R 0652	88-118-183-080	0E	C-RES,S 18K-1/10W J	HRJNM	AV-D37
X	OSD/KEY CON	R 0652	88-118-183-080	0E	C-RES,S 18K-1/10W J	HTNM	AV-D37
X	OSD/KEY CON	R 0653	88-118-473-080	0E	C-RES,S 47K-1/10W J	HCNM	AV-D37
X	OSD/KEY CON	R 0653	88-118-473-080	0E	C-RES,S 47K-1/10W J	HRJNM	AV-D37
X	OSD/KEY CON	R 0653	88-118-473-080	0E	C-RES,S 47K-1/10W J	HTNM	AV-D37
X	OSD/KEY CON	R 0654	88-118-333-080	0E	C-RES,S 33K-1/10W J	HCNM	AV-D37
X	OSD/KEY CON	R 0654	88-118-333-080	0E	C-RES,S 33K-1/10W J	HRJNM	AV-D37
X	OSD/KEY CON	R 0654	88-118-333-080	0E	C-RES,S 33K-1/10W J	HTNM	AV-D37
X	OSD/KEY CON	R 0655	88-118-473-080	0E	C-RES,S 47K-1/10W J	HCNM	AV-D37
X	OSD/KEY CON	R 0655	88-118-473-080	0E	C-RES,S 47K-1/10W J	HRJNM	AV-D37
X	OSD/KEY CON	R 0655	88-118-473-080	0E	C-RES,S 47K-1/10W J	HTNM	AV-D37
X	OSD/KEY CON	R 0656	88-118-183-080	0E	C-RES,S 18K-1/10W J	HCNM	AV-D37
X	OSD/KEY CON	R 0656	88-118-183-080	0E	C-RES,S 18K-1/10W J	HRJNM	AV-D37
X	OSD/KEY CON	R 0656	88-118-183-080	0E	C-RES,S 18K-1/10W J	HTNM	AV-D37
X	OSD/KEY CON	R 0657	88-118-223-080	0E	C-RES,S 22K-1/10W J	HCNM	AV-D37
X	OSD/KEY CON	R 0657	88-118-223-080	0E	C-RES,S 22K-1/10W J	HRJNM	AV-D37
X	OSD/KEY CON	R 0657	88-118-223-080	0E	C-RES,S 22K-1/10W J	HTNM	AV-D37
X	OSD/KEY CON	R 0658	88-118-393-080	0E	C-RES,S 39K-1/10W J	HCNM	AV-D37
X	OSD/KEY CON	R 0658	88-118-393-080	0E	C-RES,S 39K-1/10W J	HRJNM	AV-D37
X	OSD/KEY CON	R 0658	88-118-393-080	0E	C-RES,S 39K-1/10W J	HTNM	AV-D37
X	OSD/KEY CON	R 0659	88-118-563-080	0E	C-RES,S 56K-1/10W J	HCNM	AV-D37
X	OSD/KEY CON	R 0659	88-118-563-080	0E	C-RES,S 56K-1/10W J	HRJNM	AV-D37
X	OSD/KEY CON	R 0659	88-118-563-080	0E	C-RES,S 56K-1/10W J	HTNM	AV-D37
X	OSD/KEY CON	R 0660	88-118-393-080	0E	C-RES,S 39K-1/10W J	HCNM	AV-D37
X	OSD/KEY CON	R 0660	88-118-393-080	0E	C-RES,S 39K-1/10W J	HRJNM	AV-D37
X	OSD/KEY CON	R 0660	88-118-393-080	0E	C-RES,S 39K-1/10W J	HTNM	AV-D37
X	OSD/KEY CON	R 0661	88-118-223-080	0E	C-RES,S 22K-1/10W J	HCNM	AV-D37
X	OSD/KEY CON	R 0661	88-118-223-080	0E	C-RES,S 22K-1/10W J	HRJNM	AV-D37
X	OSD/KEY CON	R 0661	88-118-223-080	0E	C-RES,S 22K-1/10W J	HTNM	AV-D37
X	OSD/KEY CON	R 0662	88-128-331-080	0E	C-RES, 330-1/8W J	HCNM	AV-D37
X	OSD/KEY CON	R 0662	88-128-331-080	0E	C-RES, 330-1/8W J	HRJNM	AV-D37
X	OSD/KEY CON	R 0662	88-128-331-080	0E	C-RES, 330-1/8W J	HTNM	AV-D37
X	OSD/KEY CON	R 0663	88-128-331-080	0E	C-RES, 330-1/8W J	HCNM	AV-D37
X	OSD/KEY CON	R 0663	88-128-331-080	0E	C-RES, 330-1/8W J	HRJNM	AV-D37
X	OSD/KEY CON	R 0663	88-128-331-080	0E	C-RES, 330-1/8W J	HTNM	AV-D37
X	OSD/KEY CON	R 0664	88-118-333-080	0E	C-RES,S 33K-1/10W J	HCNM	AV-D37
X	OSD/KEY CON	R 0664	88-118-333-080	0E	C-RES,S 33K-1/10W J	HRJNM	AV-D37
X	OSD/KEY CON	R 0664	88-118-333-080	0E	C-RES,S 33K-1/10W J	HTNM	AV-D37

# PARTS LIST

! =  $\Delta$  SAFTY PARTS  
 C = Components marked

All components used on this model at the production line are shown in this service manual.

However, please note that not all components will be available as spare parts for after-sales service.

Components marked S and O are designated as spare parts for service and will be stocked at the spare parts centers.

Components marked X and R are not designated as spare parts for after sales service, and will not be stocked at the spare parts centers.

K NO. = Only use japanese.

! C	UNIT NAME	REF NO.	PARTS CODE	K NO.	DESCRIPTION	SUFFIX	MODEL NAME
X	OSD/KEY CON	R 0665	88-118-333-080	0E	C-RES,S 33K-1/10W J	HCNM	AV-D37
X	OSD/KEY CON	R 0665	88-118-333-080	0E	C-RES,S 33K-1/10W J	HRJNM	AV-D37
X	OSD/KEY CON	R 0665	88-118-333-080	0E	C-RES,S 33K-1/10W J	HTNM	AV-D37
X	OSD/KEY CON	R 0666	88-118-333-080	0E	C-RES,S 33K-1/10W J	HCNM	AV-D37
X	OSD/KEY CON	R 0666	88-118-333-080	0E	C-RES,S 33K-1/10W J	HRJNM	AV-D37
X	OSD/KEY CON	R 0666	88-118-333-080	0E	C-RES,S 33K-1/10W J	HTNM	AV-D37
X	OSD/KEY CON	R 0667	88-128-331-080	0E	C-RES, 330-1/8W J	HCNM	AV-D37
X	OSD/KEY CON	R 0667	88-128-331-080	0E	C-RES, 330-1/8W J	HRJNM	AV-D37
X	OSD/KEY CON	R 0667	88-128-331-080	0E	C-RES, 330-1/8W J	HTNM	AV-D37
!	X OTHERS		86-NFZ-205-010	0E	CUSH, 12.5-15.5-2 (NP)	HCNM	AV-D37
!	X OTHERS		86-NFZ-205-010	0E	CUSH, 12.5-15.5-2 (NP)	HRJNM	AV-D37
!	X OTHERS		86-NFZ-205-010	0E	CUSH, 12.5-15.5-2 (NP)	HTNM	AV-D37
O	OTHERS		87-033-209-010	0E	TERMINAL,EARTH 1P	HCNM	AV-D37
O	OTHERS		87-033-209-010	0E	TERMINAL,EARTH 1P	HRJNM	AV-D37
O	OTHERS		87-033-209-010	0E	TERMINAL,EARTH 1P	HTNM	AV-D37
X	OTHERS		87-064-080-010	0E	BINDER,WIRE	HCNM	AV-D37
X	OTHERS		87-064-080-010	0E	BINDER,WIRE	HRJNM	AV-D37
X	OTHERS		87-064-080-010	0E	BINDER,WIRE	HTNM	AV-D37
O	OTHERS		87-084-077-010	0E	RIVET, NYL3.5-4.5	HCNM	AV-D37
O	OTHERS		87-084-077-010	0E	RIVET, NYL3.5-4.5	HRJNM	AV-D37
O	OTHERS		87-084-077-010	0E	RIVET, NYL3.5-4.5	HTNM	AV-D37
X	OTHERS		87-NB7-206-010	0E	CLOTH,75-15-0.35	HCNM	AV-D37
X	OTHERS		87-NB7-206-010	0E	CLOTH,75-15-0.35	HRJNM	AV-D37
X	OTHERS		87-NB7-206-010	0E	CLOTH,75-15-0.35	HTNM	AV-D37
!	O OTHERS		88-AR1-203-010	0E	HLDR,TU	HCNM	AV-D37
!	O OTHERS		88-AR1-203-010	0E	HLDR,TU	HRJNM	AV-D37
!	O OTHERS		88-AR1-203-010	0E	HLDR,TU	HTNM	AV-D37
O	OTHERS		88-AR1-211-110	0E	HLDR,AC SW	HCNM	AV-D37
O	OTHERS		88-AR1-211-110	0E	HLDR,AC SW	HRJNM	AV-D37
O	OTHERS		88-AR1-211-110	0E	HLDR,AC SW	HTNM	AV-D37
O	OTHERS		88-AR1-218-010	0E	HLDR,PWB H8.9	HCNM	AV-D37
O	OTHERS		88-AR1-218-010	0E	HLDR,PWB H8.9	HRJNM	AV-D37
O	OTHERS		88-AR1-218-010	0E	HLDR,PWB H8.9	HTNM	AV-D37
O	OTHERS		88-AR2-205-110	0E	HLDR,PWB OSD	HCNM	AV-D37
O	OTHERS		88-AR2-205-110	0E	HLDR,PWB OSD	HRJNM	AV-D37
O	OTHERS		88-AR2-205-110	0E	HLDR,PWB OSD	HTNM	AV-D37
X	OTHERS		88-AR2-210-010	0E	CUSH,PL C	HCNM	AV-D37
X	OTHERS		88-AR2-210-010	0E	CUSH,PL C	HRJNM	AV-D37
X	OTHERS		88-AR2-210-010	0E	CUSH,PL C	HTNM	AV-D37
X	OTHERS		88-NF5-599-010	0E	SH, 2-5-0.4 W/ADH	HCNM	AV-D37
X	OTHERS		88-NF5-599-010	0E	SH, 2-5-0.4 W/ADH	HRJNM	AV-D37
X	OTHERS		88-NF5-599-010	0E	SH, 2-5-0.4 W/ADH	HTNM	AV-D37
O	OTHERS		8A-AR1-201-010	0E	HLDR,EQ PWB	HCNM	AV-D37
O	OTHERS		8A-AR1-201-010	0E	HLDR,EQ PWB	HRJNM	AV-D37
O	OTHERS		8A-AR1-201-010	0E	HLDR,EQ PWB	HTNM	AV-D37
X	OTHERS		8A-AR2-210-010	0E	SH, 2.5-4.5-0.6 W/ADH	HCNM	AV-D37
X	OTHERS		8A-AR2-210-010	0E	SH, 2.5-4.5-0.6 W/ADH	HRJNM	AV-D37
X	OTHERS		8A-AR2-210-010	0E	SH, 2.5-4.5-0.6 W/ADH	HTNM	AV-D37
X	OTHERS		8A-AR3-210-010	--	PLATE,PWB PT 3H	HCNM	AV-D37
X	OTHERS		8A-AR3-210-010	--	PLATE,PWB PT 3H	HRJNM	AV-D37
X	OTHERS		8A-AR3-210-010	--	PLATE,PWB PT 3H	HTNM	AV-D37
X	OTHERS		8Z-AR1-202-210	1C	CHAS,FR	HCNM	AV-D37
X	OTHERS		8Z-AR1-202-210	1C	CHAS,FR	HRJNM	AV-D37
X	OTHERS		8Z-AR1-202-210	1C	CHAS,FR	HTNM	AV-D37
X	OTHERS		8Z-AR1-203-010	1A	PLATE,BOTTOM	HCNM	AV-D37
X	OTHERS		8Z-AR1-203-010	1A	PLATE,BOTTOM	HRJNM	AV-D37
X	OTHERS		8Z-AR1-203-010	1A	PLATE,BOTTOM	HTNM	AV-D37
X	OTHERS		8Z-AR1-204-210	1C	PLATE,PT	HCNM	AV-D37
X	OTHERS		8Z-AR1-204-210	1C	PLATE,PT	HRJNM	AV-D37
X	OTHERS		8Z-AR1-204-210	1C	PLATE,PT	HTNM	AV-D37
O	OTHERS		8Z-AR1-205-010	1D	HLDR,HT-SINK	HCNM	AV-D37
O	OTHERS		8Z-AR1-205-010	1D	HLDR,HT-SINK	HRJNM	AV-D37
O	OTHERS		8Z-AR1-205-010	1D	HLDR,HT-SINK	HTNM	AV-D37
X	OTHERS		8Z-AR1-206-010	--	HT-SINK,MAIN	HCNM	AV-D37
X	OTHERS		8Z-AR1-206-010	--	HT-SINK,MAIN	HRJNM	AV-D37
X	OTHERS		8Z-AR1-206-010	--	HT-SINK,MAIN	HTNM	AV-D37
X	OTHERS		8Z-AR1-207-010	--	HT-SINK,FIN 65	HCNM	AV-D37
X	OTHERS		8Z-AR1-207-010	--	HT-SINK,FIN 65	HRJNM	AV-D37
X	OTHERS		8Z-AR1-207-010	--	HT-SINK,FIN 65	HTNM	AV-D37
X	OTHERS		8Z-AR1-208-010	2B	HT-SINK,ASSY 65	HCNM	AV-D37

# PARTS LIST

! =  $\Delta$  SAFTY PARTS  
 C = Components marked

All components used on this model at the production line are shown in this service manual.

However, please note that not all components will be available as spare parts for after-sales service.

Components marked S and O are designated as spare parts for service and will be stocked at the spare parts centers.

Components marked X and R are not designated as spare parts for after sales service, and will not be stocked at the spare parts centers.

K NO. = Only use japanese.

! C	UNIT NAME	REF NO.	PARTS CODE	K NO.	DESCRIPTION	SUFFIX	MODEL NAME	
X	OTHERS		8Z-AR1-208-010	2B	HT-SINK,ASSY 65	HRJNM	AV-D37	
X	OTHERS		8Z-AR1-208-010	2B	HT-SINK,ASSY 65	HTNM	AV-D37	
X	OTHERS		8Z-AR1-209-110	1D	HT-SINK,TR VM	HCNM	AV-D37	
X	OTHERS		8Z-AR1-209-110	1D	HT-SINK,TR VM	HRJNM	AV-D37	
X	OTHERS		8Z-AR1-209-110	1D	HT-SINK,TR VM	HTNM	AV-D37	
O	OTHERS		8Z-AR1-219-110	1A	HLDR,PWB PRO	HCNM	AV-D37	
O	OTHERS		8Z-AR1-219-110	1A	HLDR,PWB PRO	HRJNM	AV-D37	
O	OTHERS		8Z-AR1-219-110	1A	HLDR,PWB PRO	HTNM	AV-D37	
O	OTHERS		8Z-NB8-240-010	0E	COVER, PL	HCNM	AV-D37	
O	OTHERS		8Z-NB8-240-010	0E	COVER, PL	HRJNM	AV-D37	
O	OTHERS		8Z-NB8-240-010	0E	COVER, PL	HTNM	AV-D37	
X	PACKING DU		87-B40-098-010	0E	BAG,PV 0.025-650-750 PL	HCNM	AV-D37	
X	PACKING DU		87-B40-098-010	0E	BAG,PV 0.025-650-750 PL	HRJNM	AV-D37	
X	PACKING DU		87-B40-098-010	0E	BAG,PV 0.025-650-750 PL	HTNM	AV-D37	
X	PACKING DU		8A-AR2-851-110	1H	CUSHION,LEFT M	HRJNM	AV-D37	
X	PACKING DU		8A-AR2-851-110	1H	CUSHION,LEFT M	HTNM	AV-D37	
X	PACKING DU		8A-AR2-852-010	1F	CUSHION,RIGHT M	HRJNM	AV-D37	
X	PACKING DU		8A-AR2-852-010	1F	CUSHION,RIGHT M	HTNM	AV-D37	
X	PACKING DU		8A-AR3-853-010	1D	CUSHION,LEFT HCM	HCNM	AV-D37	
X	PACKING DU		8A-AR3-854-010	1D	CUSHION,RIGHT HCM	HCNM	AV-D37	
X	PACKING DU		8A-AR4-852-010	1F	CTN,PRINTED HCNM	HCNM	AV-D37	
X	PACKING DU		8A-AR4-853-010	--	CTN,PRINTED HRJNM	HRJNM	AV-D37	
X	PACKING DU		8A-AR4-854-010	--	CTN,PRINTED HTNM	HTNM	AV-D37	
X	PACKING DU		92-370-716-010	1A	SH,FOAMED-MAT 0.31-700-500	HCNM	AV-D37	
X	PACKING DU		92-370-716-010	1A	SH,FOAMED-MAT 0.31-700-500	HRJNM	AV-D37	
X	PACKING DU		92-370-716-010	1A	SH,FOAMED-MAT 0.31-700-500	HTNM	AV-D37	
X	PLATE		87-B40-281-010	0E	LBL,BAR-CODE A 35X8	HCNM	AV-D37	
X	PLATE		87-B40-281-010	0E	LBL,BAR-CODE A 35X8	HRJNM	AV-D37	
X	PLATE		87-B40-281-010	0E	LBL,BAR-CODE A 35X8	HTNM	AV-D37	
O	PLATE		8A-AR3-004-010	1	WINDOW,DISP 5.1CH	HCNM	AV-D37	
O	PLATE		8A-AR3-004-010	1	WINDOW,DISP 5.1CH	HRJNM	AV-D37	
O	PLATE		8A-AR3-004-010	1	WINDOW,DISP 5.1CH	HTNM	AV-D37	
O	PLATE		8A-AR3-009-010	0E	REFLECTOR,FUN	HCNM	AV-D37	
O	PLATE		8A-AR3-009-010	0E	REFLECTOR,FUN	HRJNM	AV-D37	
O	PLATE		8A-AR3-009-010	0E	REFLECTOR,FUN	HTNM	AV-D37	
O	PLATE		8A-AR3-010-010	0E	REFLECTOR,ECO	HCNM	AV-D37	
O	PLATE		8A-AR3-010-010	0E	REFLECTOR,ECO	HRJNM	AV-D37	
O	PLATE		8A-AR3-010-010	0E	REFLECTOR,ECO	HTNM	AV-D37	
X	PLATE		8A-AR4-020-010	0E	LBL,CCIB	HCNM	AV-D37	
X	PLATE		8A-AR4-021-010	--	LBL,CPA	HRJNM	AV-D37	
O	POWER AMP	C	0203	87-010-176-080	0E	C-CAP,S 680P-50 J SL	HCNM	AV-D37
O	POWER AMP	C	0203	87-010-176-080	0E	C-CAP,S 680P-50 J SL	HRJNM	AV-D37
O	POWER AMP	C	0203	87-010-176-080	0E	C-CAP,S 680P-50 J SL	HTNM	AV-D37
O	POWER AMP	C	0204	87-010-176-080	0E	C-CAP,S 680P-50 J SL	HCNM	AV-D37
O	POWER AMP	C	0204	87-010-176-080	0E	C-CAP,S 680P-50 J SL	HRJNM	AV-D37
O	POWER AMP	C	0204	87-010-176-080	0E	C-CAP,S 680P-50 J SL	HTNM	AV-D37
O	POWER AMP	C	0205	87-010-405-080	0E	CAP,E 10-50 M 11L SME	HCNM	AV-D37
O	POWER AMP	C	0205	87-010-405-080	0E	CAP,E 10-50 M 11L SME	HRJNM	AV-D37
O	POWER AMP	C	0205	87-010-405-080	0E	CAP,E 10-50 M 11L SME	HTNM	AV-D37
O	POWER AMP	C	0206	87-010-405-080	0E	CAP,E 10-50 M 11L SME	HCNM	AV-D37
O	POWER AMP	C	0206	87-010-405-080	0E	CAP,E 10-50 M 11L SME	HRJNM	AV-D37
O	POWER AMP	C	0206	87-010-405-080	0E	CAP,E 10-50 M 11L SME	HTNM	AV-D37
O	POWER AMP	C	0209	87-010-392-080	0E	CAP,E 33-35 M 11L SME	HCNM	AV-D37
O	POWER AMP	C	0209	87-010-392-080	0E	CAP,E 33-35 M 11L SME	HRJNM	AV-D37
O	POWER AMP	C	0209	87-010-392-080	0E	CAP,E 33-35 M 11L SME	HTNM	AV-D37
O	POWER AMP	C	0210	87-010-392-080	0E	CAP,E 33-35 M 11L SME	HCNM	AV-D37
O	POWER AMP	C	0210	87-010-392-080	0E	CAP,E 33-35 M 11L SME	HRJNM	AV-D37
O	POWER AMP	C	0210	87-010-392-080	0E	CAP,E 33-35 M 11L SME	HTNM	AV-D37
O	POWER AMP	C	0211	87-010-322-080	0E	C-CAP,S 100P-50 J CH GRM	HCNM	AV-D37
O	POWER AMP	C	0211	87-010-322-080	0E	C-CAP,S 100P-50 J CH GRM	HRJNM	AV-D37
O	POWER AMP	C	0211	87-010-322-080	0E	C-CAP,S 100P-50 J CH GRM	HTNM	AV-D37
O	POWER AMP	C	0212	87-010-322-080	0E	C-CAP,S 100P-50 J CH GRM	HCNM	AV-D37
O	POWER AMP	C	0212	87-010-322-080	0E	C-CAP,S 100P-50 J CH GRM	HRJNM	AV-D37
O	POWER AMP	C	0212	87-010-322-080	0E	C-CAP,S 100P-50 J CH GRM	HTNM	AV-D37
O	POWER AMP	C	0215	87-A10-897-080	0E	CAP,E 100-25 BP SME	HCNM	AV-D37
O	POWER AMP	C	0215	87-A10-897-080	0E	CAP,E 100-25 BP SME	HRJNM	AV-D37
O	POWER AMP	C	0215	87-A10-897-080	0E	CAP,E 100-25 BP SME	HTNM	AV-D37
O	POWER AMP	C	0216	87-A10-897-080	0E	CAP,E 100-25 BP SME	HCNM	AV-D37
O	POWER AMP	C	0216	87-A10-897-080	0E	CAP,E 100-25 BP SME	HRJNM	AV-D37
O	POWER AMP	C	0216	87-A10-897-080	0E	CAP,E 100-25 BP SME	HTNM	AV-D37

# PARTS LIST

! =  $\Delta$  SAFTY PARTS  
 C = Components marked

All components used on this model at the production line are shown in this service manual.

However, please note that not all components will be available as spare parts for after-sales service.

Components marked S and O are designated as spare parts for service and will be stocked at the spare parts centers.

Components marked X and R are not designated as spare parts for after sales service, and will not be stocked at the spare parts centers.

K NO. = Only use japanese.

! C	UNIT NAME	REF NO.	PARTS CODE	K NO.	DESCRIPTION	SUFFIX	MODEL NAME
O	POWER AMP	C 0217	87-A12-313-080	--	C-CAP,S 150P-200 J CH	HCNM	AV-D37
O	POWER AMP	C 0217	87-A12-313-080	--	C-CAP,S 150P-200 J CH	HRJNM	AV-D37
O	POWER AMP	C 0217	87-A12-313-080	--	C-CAP,S 150P-200 J CH	HTNM	AV-D37
O	POWER AMP	C 0218	87-A12-313-080	--	C-CAP,S 150P-200 J CH	HCNM	AV-D37
O	POWER AMP	C 0218	87-A12-313-080	--	C-CAP,S 150P-200 J CH	HRJNM	AV-D37
O	POWER AMP	C 0218	87-A12-313-080	--	C-CAP,S 150P-200 J CH	HTNM	AV-D37
X	POWER AMP	C 0219	88-118-103-080	0E	C-RES,S 10K-1/10W J	HCNM	AV-D37
X	POWER AMP	C 0219	88-118-103-080	0E	C-RES,S 10K-1/10W J	HRJNM	AV-D37
X	POWER AMP	C 0219	88-118-103-080	0E	C-RES,S 10K-1/10W J	HTNM	AV-D37
X	POWER AMP	C 0220	88-118-103-080	0E	C-RES,S 10K-1/10W J	HCNM	AV-D37
X	POWER AMP	C 0220	88-118-103-080	0E	C-RES,S 10K-1/10W J	HRJNM	AV-D37
X	POWER AMP	C 0220	88-118-103-080	0E	C-RES,S 10K-1/10W J	HTNM	AV-D37
O	POWER AMP	C 0221	87-016-526-080	0E	C-CAP,S 0.47-16 BK	HCNM	AV-D37
O	POWER AMP	C 0221	87-016-526-080	0E	C-CAP,S 0.47-16 BK	HRJNM	AV-D37
O	POWER AMP	C 0221	87-016-526-080	0E	C-CAP,S 0.47-16 BK	HTNM	AV-D37
O	POWER AMP	C 0222	87-016-526-080	0E	C-CAP,S 0.47-16 BK	HCNM	AV-D37
O	POWER AMP	C 0222	87-016-526-080	0E	C-CAP,S 0.47-16 BK	HRJNM	AV-D37
O	POWER AMP	C 0222	87-016-526-080	0E	C-CAP,S 0.47-16 BK	HTNM	AV-D37
O	POWER AMP	C 0223	87-010-402-080	0E	CAP,E 2.2-50 M 11L SME	HCNM	AV-D37
O	POWER AMP	C 0223	87-010-402-080	0E	CAP,E 2.2-50 M 11L SME	HRJNM	AV-D37
O	POWER AMP	C 0223	87-010-402-080	0E	CAP,E 2.2-50 M 11L SME	HTNM	AV-D37
O	POWER AMP	C 0224	87-010-402-080	0E	CAP,E 2.2-50 M 11L SME	HCNM	AV-D37
O	POWER AMP	C 0224	87-010-402-080	0E	CAP,E 2.2-50 M 11L SME	HRJNM	AV-D37
O	POWER AMP	C 0224	87-010-402-080	0E	CAP,E 2.2-50 M 11L SME	HTNM	AV-D37
O	POWER AMP	C 0225	87-010-196-080	0E	C-CAP,S 0.1-25 Z F C2012	HCNM	AV-D37
O	POWER AMP	C 0225	87-010-196-080	0E	C-CAP,S 0.1-25 Z F C2012	HRJNM	AV-D37
O	POWER AMP	C 0225	87-010-196-080	0E	C-CAP,S 0.1-25 Z F C2012	HTNM	AV-D37
O	POWER AMP	C 0226	87-016-251-080	0E	CAP,E 220-16 M SMG	HCNM	AV-D37
O	POWER AMP	C 0226	87-016-251-080	0E	CAP,E 220-16 M SMG	HRJNM	AV-D37
O	POWER AMP	C 0226	87-016-251-080	0E	CAP,E 220-16 M SMG	HTNM	AV-D37
O	POWER AMP	C 0227	87-010-178-080	0E	C-CAP,S 1000P-50 K B C2012	HCNM	AV-D37
O	POWER AMP	C 0227	87-010-178-080	0E	C-CAP,S 1000P-50 K B C2012	HRJNM	AV-D37
O	POWER AMP	C 0227	87-010-178-080	0E	C-CAP,S 1000P-50 K B C2012	HTNM	AV-D37
O	POWER AMP	C 0228	87-010-178-080	0E	C-CAP,S 1000P-50 K B C2012	HCNM	AV-D37
O	POWER AMP	C 0228	87-010-178-080	0E	C-CAP,S 1000P-50 K B C2012	HRJNM	AV-D37
O	POWER AMP	C 0228	87-010-178-080	0E	C-CAP,S 1000P-50 K B C2012	HTNM	AV-D37
O	POWER AMP	C 0229	87-016-251-080	0E	CAP,E 220-16 M SMG	HCNM	AV-D37
O	POWER AMP	C 0229	87-016-251-080	0E	CAP,E 220-16 M SMG	HRJNM	AV-D37
O	POWER AMP	C 0229	87-016-251-080	0E	CAP,E 220-16 M SMG	HTNM	AV-D37
O	POWER AMP	C 0230	87-A10-354-080	0E	C-CAP,S 0.047-50 K B	HCNM	AV-D37
O	POWER AMP	C 0230	87-A10-354-080	0E	C-CAP,S 0.047-50 K B	HRJNM	AV-D37
O	POWER AMP	C 0230	87-A10-354-080	0E	C-CAP,S 0.047-50 K B	HTNM	AV-D37
O	POWER AMP	C 0231	87-A10-354-080	0E	C-CAP,S 0.047-50 K B	HCNM	AV-D37
O	POWER AMP	C 0231	87-A10-354-080	0E	C-CAP,S 0.047-50 K B	HRJNM	AV-D37
O	POWER AMP	C 0231	87-A10-354-080	0E	C-CAP,S 0.047-50 K B	HTNM	AV-D37
O	POWER AMP	C 0231	87-A10-354-080	0E	C-CAP,S 0.047-50 K B	HRJNM	AV-D37
O	POWER AMP	C 0231	87-A10-354-080	0E	C-CAP,S 0.047-50 K B	HTNM	AV-D37
O	POWER AMP	C 0285	87-010-186-080	0E	C-CAP,S 4700P-50 K B C2012	HCNM	AV-D37
O	POWER AMP	C 0285	87-010-186-080	0E	C-CAP,S 4700P-50 K B C2012	HRJNM	AV-D37
O	POWER AMP	C 0285	87-010-186-080	0E	C-CAP,S 4700P-50 K B C2012	HTNM	AV-D37
O	POWER AMP	C 0291	87-012-368-080	0E	C-CAP,S 0.1-50 Z F	HCNM	AV-D37
O	POWER AMP	C 0291	87-012-368-080	0E	C-CAP,S 0.1-50 Z F	HRJNM	AV-D37
O	POWER AMP	C 0291	87-012-368-080	0E	C-CAP,S 0.1-50 Z F	HTNM	AV-D37
O	POWER AMP	C 0292	87-012-368-080	0E	C-CAP,S 0.1-50 Z F	HCNM	AV-D37
O	POWER AMP	C 0292	87-012-368-080	0E	C-CAP,S 0.1-50 Z F	HRJNM	AV-D37
O	POWER AMP	C 0292	87-012-368-080	0E	C-CAP,S 0.1-50 Z F	HTNM	AV-D37
O	POWER AMP	C 0292	87-012-368-080	0E	C-CAP,S 0.1-50 Z F	HCNM	AV-D37
O	POWER AMP	C 0292	87-012-368-080	0E	C-CAP,S 0.1-50 Z F	HRJNM	AV-D37
O	POWER AMP	C 0292	87-012-368-080	0E	C-CAP,S 0.1-50 Z F	HTNM	AV-D37
O	POWER AMP	C 0293	87-012-368-080	0E	C-CAP,S 0.1-50 Z F	HCNM	AV-D37
O	POWER AMP	C 0293	87-012-368-080	0E	C-CAP,S 0.1-50 Z F	HRJNM	AV-D37
O	POWER AMP	C 0293	87-012-368-080	0E	C-CAP,S 0.1-50 Z F	HTNM	AV-D37
O	POWER AMP	C 0294	87-012-368-080	0E	C-CAP,S 0.1-50 Z F	HCNM	AV-D37
O	POWER AMP	C 0294	87-012-368-080	0E	C-CAP,S 0.1-50 Z F	HRJNM	AV-D37
O	POWER AMP	C 0294	87-012-368-080	0E	C-CAP,S 0.1-50 Z F	HTNM	AV-D37
O	POWER AMP	C 0295	87-012-368-080	0E	C-CAP,S 0.1-50 Z F	HCNM	AV-D37
O	POWER AMP	C 0295	87-012-368-080	0E	C-CAP,S 0.1-50 Z F	HRJNM	AV-D37
O	POWER AMP	C 0295	87-012-368-080	0E	C-CAP,S 0.1-50 Z F	HTNM	AV-D37
O	POWER AMP	C 0296	87-012-368-080	0E	C-CAP,S 0.1-50 Z F	HCNM	AV-D37
O	POWER AMP	C 0296	87-012-368-080	0E	C-CAP,S 0.1-50 Z F	HRJNM	AV-D37
O	POWER AMP	C 0296	87-012-368-080	0E	C-CAP,S 0.1-50 Z F	HTNM	AV-D37
O	POWER AMP	C 0297	87-012-368-080	0E	C-CAP,S 0.1-50 Z F	HCNM	AV-D37
O	POWER AMP	C 0297	87-012-368-080	0E	C-CAP,S 0.1-50 Z F	HRJNM	AV-D37
O	POWER AMP	C 0297	87-012-368-080	0E	C-CAP,S 0.1-50 Z F	HTNM	AV-D37
O	POWER AMP	C 0298	87-012-368-080	0E	C-CAP,S 0.1-50 Z F	HCNM	AV-D37

# PARTS LIST

! =  $\Delta$  SAFTY PARTS  
 C = Components marked

All components used on this model at the production line are shown in this service manual.

However, please note that not all components will be available as spare parts for after-sales service.

Components marked S and O are designated as spare parts for service and will be stocked at the spare parts centers.

Components marked X and R are not designated as spare parts for after sales service, and will not be stocked at the spare parts centers.

K NO. = Only use japanese.

! C	UNIT NAME	REF NO.	PARTS CODE	K NO.	DESCRIPTION	SUFFIX	MODEL NAME
O	POWER AMP	C 0298	87-012-368-080	0E	C-CAP,S 0.1-50 Z F	HRJNM	AV-D37
O	POWER AMP	C 0298	87-012-368-080	0E	C-CAP,S 0.1-50 Z F	HTNM	AV-D37
O	POWER AMP	C 0303	87-010-179-080	0E	C-CAP,S 1200P-50 K B GRM	HCNM	AV-D37
O	POWER AMP	C 0303	87-010-179-080	0E	C-CAP,S 1200P-50 K B GRM	HRJNM	AV-D37
O	POWER AMP	C 0303	87-010-179-080	0E	C-CAP,S 1200P-50 K B GRM	HTNM	AV-D37
O	POWER AMP	C 0304	87-010-179-080	0E	C-CAP,S 1200P-50 K B GRM	HCNM	AV-D37
O	POWER AMP	C 0304	87-010-179-080	0E	C-CAP,S 1200P-50 K B GRM	HRJNM	AV-D37
O	POWER AMP	C 0304	87-010-179-080	0E	C-CAP,S 1200P-50 K B GRM	HTNM	AV-D37
O	POWER AMP	C 0305	87-010-406-080	0E	CAP,E 22-50 M 11L SME	HCNM	AV-D37
O	POWER AMP	C 0305	87-010-406-080	0E	CAP,E 22-50 M 11L SME	HRJNM	AV-D37
O	POWER AMP	C 0305	87-010-406-080	0E	CAP,E 22-50 M 11L SME	HTNM	AV-D37
O	POWER AMP	C 0306	87-010-406-080	0E	CAP,E 22-50 M 11L SME	HCNM	AV-D37
O	POWER AMP	C 0306	87-010-406-080	0E	CAP,E 22-50 M 11L SME	HRJNM	AV-D37
O	POWER AMP	C 0306	87-010-406-080	0E	CAP,E 22-50 M 11L SME	HTNM	AV-D37
O	POWER AMP	C 0308	87-016-299-080	0E	CAP,E 10-100 M SME	HCNM	AV-D37
O	POWER AMP	C 0308	87-016-299-080	0E	CAP,E 10-100 M SME	HRJNM	AV-D37
O	POWER AMP	C 0308	87-016-299-080	0E	CAP,E 10-100 M SME	HTNM	AV-D37
O	POWER AMP	C 0309	87-010-260-080	0E	CAP,E 47-25 M 11L SME	HCNM	AV-D37
O	POWER AMP	C 0309	87-010-260-080	0E	CAP,E 47-25 M 11L SME	HRJNM	AV-D37
O	POWER AMP	C 0309	87-010-260-080	0E	CAP,E 47-25 M 11L SME	HTNM	AV-D37
O	POWER AMP	C 0310	87-010-260-080	0E	CAP,E 47-25 M 11L SME	HCNM	AV-D37
O	POWER AMP	C 0310	87-010-260-080	0E	CAP,E 47-25 M 11L SME	HRJNM	AV-D37
O	POWER AMP	C 0310	87-010-260-080	0E	CAP,E 47-25 M 11L SME	HTNM	AV-D37
O	POWER AMP	C 0311	87-010-322-080	0E	C-CAP,S 100P-50 J CH GRM	HCNM	AV-D37
O	POWER AMP	C 0311	87-010-322-080	0E	C-CAP,S 100P-50 J CH GRM	HRJNM	AV-D37
O	POWER AMP	C 0311	87-010-322-080	0E	C-CAP,S 100P-50 J CH GRM	HTNM	AV-D37
O	POWER AMP	C 0312	87-010-322-080	0E	C-CAP,S 100P-50 J CH GRM	HCNM	AV-D37
O	POWER AMP	C 0312	87-010-322-080	0E	C-CAP,S 100P-50 J CH GRM	HRJNM	AV-D37
O	POWER AMP	C 0312	87-010-322-080	0E	C-CAP,S 100P-50 J CH GRM	HTNM	AV-D37
O	POWER AMP	C 0315	87-A10-897-080	0E	CAP,E 100-25 BP SME	HCNM	AV-D37
O	POWER AMP	C 0315	87-A10-897-080	0E	CAP,E 100-25 BP SME	HRJNM	AV-D37
O	POWER AMP	C 0315	87-A10-897-080	0E	CAP,E 100-25 BP SME	HTNM	AV-D37
O	POWER AMP	C 0316	87-A10-897-080	0E	CAP,E 100-25 BP SME	HCNM	AV-D37
O	POWER AMP	C 0316	87-A10-897-080	0E	CAP,E 100-25 BP SME	HRJNM	AV-D37
O	POWER AMP	C 0316	87-A10-897-080	0E	CAP,E 100-25 BP SME	HTNM	AV-D37
O	POWER AMP	C 0317	87-A12-313-080	--	C-CAP,S 150P-200 J CH	HCNM	AV-D37
O	POWER AMP	C 0317	87-A12-313-080	--	C-CAP,S 150P-200 J CH	HRJNM	AV-D37
O	POWER AMP	C 0317	87-A12-313-080	--	C-CAP,S 150P-200 J CH	HTNM	AV-D37
O	POWER AMP	C 0318	87-A12-313-080	--	C-CAP,S 150P-200 J CH	HCNM	AV-D37
O	POWER AMP	C 0318	87-A12-313-080	--	C-CAP,S 150P-200 J CH	HRJNM	AV-D37
O	POWER AMP	C 0318	87-A12-313-080	--	C-CAP,S 150P-200 J CH	HTNM	AV-D37
O	POWER AMP	C 0321	87-016-526-080	0E	C-CAP,S 0.47-16 BK	HCNM	AV-D37
O	POWER AMP	C 0321	87-016-526-080	0E	C-CAP,S 0.47-16 BK	HRJNM	AV-D37
O	POWER AMP	C 0321	87-016-526-080	0E	C-CAP,S 0.47-16 BK	HTNM	AV-D37
O	POWER AMP	C 0322	87-016-526-080	0E	C-CAP,S 0.47-16 BK	HCNM	AV-D37
O	POWER AMP	C 0322	87-016-526-080	0E	C-CAP,S 0.47-16 BK	HRJNM	AV-D37
O	POWER AMP	C 0322	87-016-526-080	0E	C-CAP,S 0.47-16 BK	HTNM	AV-D37
O	POWER AMP	C 0323	87-010-402-080	0E	CAP,E 2.2-50 M 11L SME	HCNM	AV-D37
O	POWER AMP	C 0323	87-010-402-080	0E	CAP,E 2.2-50 M 11L SME	HRJNM	AV-D37
O	POWER AMP	C 0323	87-010-402-080	0E	CAP,E 2.2-50 M 11L SME	HTNM	AV-D37
O	POWER AMP	C 0324	87-010-402-080	0E	CAP,E 2.2-50 M 11L SME	HCNM	AV-D37
O	POWER AMP	C 0324	87-010-402-080	0E	CAP,E 2.2-50 M 11L SME	HRJNM	AV-D37
O	POWER AMP	C 0324	87-010-402-080	0E	CAP,E 2.2-50 M 11L SME	HTNM	AV-D37
O	POWER AMP	C 0325	87-010-196-080	0E	C-CAP,S 0.1-25 Z F C2012	HCNM	AV-D37
O	POWER AMP	C 0325	87-010-196-080	0E	C-CAP,S 0.1-25 Z F C2012	HRJNM	AV-D37
O	POWER AMP	C 0325	87-010-196-080	0E	C-CAP,S 0.1-25 Z F C2012	HTNM	AV-D37
O	POWER AMP	C 0327	87-010-178-080	0E	C-CAP,S 1000P-50 K B C2012	HCNM	AV-D37
O	POWER AMP	C 0327	87-010-178-080	0E	C-CAP,S 1000P-50 K B C2012	HRJNM	AV-D37
O	POWER AMP	C 0327	87-010-178-080	0E	C-CAP,S 1000P-50 K B C2012	HTNM	AV-D37
O	POWER AMP	C 0328	87-010-178-080	0E	C-CAP,S 1000P-50 K B C2012	HCNM	AV-D37
O	POWER AMP	C 0328	87-010-178-080	0E	C-CAP,S 1000P-50 K B C2012	HRJNM	AV-D37
O	POWER AMP	C 0328	87-010-178-080	0E	C-CAP,S 1000P-50 K B C2012	HTNM	AV-D37
O	POWER AMP	C 0330	87-A10-354-080	0E	C-CAP,S 0.047-50 K B	HCNM	AV-D37
O	POWER AMP	C 0330	87-A10-354-080	0E	C-CAP,S 0.047-50 K B	HRJNM	AV-D37
O	POWER AMP	C 0330	87-A10-354-080	0E	C-CAP,S 0.047-50 K B	HTNM	AV-D37
O	POWER AMP	C 0331	87-A10-354-080	0E	C-CAP,S 0.047-50 K B	HCNM	AV-D37
O	POWER AMP	C 0331	87-A10-354-080	0E	C-CAP,S 0.047-50 K B	HRJNM	AV-D37
O	POWER AMP	C 0331	87-A10-354-080	0E	C-CAP,S 0.047-50 K B	HTNM	AV-D37
O	POWER AMP	C 0334	87-A10-918-080	0E	CAP,E 100-16 SMG	HCNM	AV-D37
O	POWER AMP	C 0334	87-A10-918-080	0E	CAP,E 100-16 SMG	HRJNM	AV-D37

# PARTS LIST

! =  $\Delta$  SAFTY PARTS  
 C = Components marked

All components used on this model at the production line are shown in this service manual.

However, please note that not all components will be available as spare parts for after-sales service.

Components marked S and O are designated as spare parts for service and will be stocked at the spare parts centers.

Components marked X and R are not designated as spare parts for after sales service, and will not be stocked at the spare parts centers.

K NO. = Only use japanese.

! C	UNIT NAME	REF NO.	PARTS CODE	K NO.	DESCRIPTION	SUFFIX	MODEL NAME
O	POWER AMP	C 0334	87-A10-918-080	0E	CAP,E 100-16 SMG	HTNM	AV-D37
O	POWER AMP	C 0335	87-A10-918-080	0E	CAP,E 100-16 SMG	HCNM	AV-D37
O	POWER AMP	C 0335	87-A10-918-080	0E	CAP,E 100-16 SMG	HRJNM	AV-D37
O	POWER AMP	C 0335	87-A10-918-080	0E	CAP,E 100-16 SMG	HTNM	AV-D37
O	POWER AMP	C 0385	87-010-186-080	0E	C-CAP,S 4700P-50 K B C2012	HCNM	AV-D37
O	POWER AMP	C 0385	87-010-186-080	0E	C-CAP,S 4700P-50 K B C2012	HRJNM	AV-D37
O	POWER AMP	C 0385	87-010-186-080	0E	C-CAP,S 4700P-50 K B C2012	HTNM	AV-D37
O	POWER AMP	C 0391	87-012-368-080	0E	C-CAP,S 0.1-50 Z F	HCNM	AV-D37
O	POWER AMP	C 0391	87-012-368-080	0E	C-CAP,S 0.1-50 Z F	HRJNM	AV-D37
O	POWER AMP	C 0391	87-012-368-080	0E	C-CAP,S 0.1-50 Z F	HTNM	AV-D37
O	POWER AMP	C 0392	87-012-368-080	0E	C-CAP,S 0.1-50 Z F	HCNM	AV-D37
O	POWER AMP	C 0392	87-012-368-080	0E	C-CAP,S 0.1-50 Z F	HRJNM	AV-D37
O	POWER AMP	C 0392	87-012-368-080	0E	C-CAP,S 0.1-50 Z F	HTNM	AV-D37
O	POWER AMP	C 0393	87-012-368-080	0E	C-CAP,S 0.1-50 Z F	HCNM	AV-D37
O	POWER AMP	C 0393	87-012-368-080	0E	C-CAP,S 0.1-50 Z F	HRJNM	AV-D37
O	POWER AMP	C 0393	87-012-368-080	0E	C-CAP,S 0.1-50 Z F	HTNM	AV-D37
O	POWER AMP	C 0394	87-012-368-080	0E	C-CAP,S 0.1-50 Z F	HCNM	AV-D37
O	POWER AMP	C 0394	87-012-368-080	0E	C-CAP,S 0.1-50 Z F	HRJNM	AV-D37
O	POWER AMP	C 0394	87-012-368-080	0E	C-CAP,S 0.1-50 Z F	HTNM	AV-D37
O	POWER AMP	C 0402	87-010-181-080	0E	C-CAP,S 1800P-50 K B GRM	HCNM	AV-D37
O	POWER AMP	C 0402	87-010-181-080	0E	C-CAP,S 1800P-50 K B GRM	HRJNM	AV-D37
O	POWER AMP	C 0402	87-010-181-080	0E	C-CAP,S 1800P-50 K B GRM	HTNM	AV-D37
O	POWER AMP	C 0403	87-010-405-080	0E	CAP,E 10-50 M 11L SME	HCNM	AV-D37
O	POWER AMP	C 0403	87-010-405-080	0E	CAP,E 10-50 M 11L SME	HRJNM	AV-D37
O	POWER AMP	C 0403	87-010-405-080	0E	CAP,E 10-50 M 11L SME	HTNM	AV-D37
O	POWER AMP	C 0405	87-010-406-080	0E	CAP,E 22-50 M 11L SME	HCNM	AV-D37
O	POWER AMP	C 0405	87-010-406-080	0E	CAP,E 22-50 M 11L SME	HRJNM	AV-D37
O	POWER AMP	C 0405	87-010-406-080	0E	CAP,E 22-50 M 11L SME	HTNM	AV-D37
O	POWER AMP	C 0406	87-010-322-080	0E	C-CAP,S 100P-50 J CH GRM	HCNM	AV-D37
O	POWER AMP	C 0406	87-010-322-080	0E	C-CAP,S 100P-50 J CH GRM	HRJNM	AV-D37
O	POWER AMP	C 0406	87-010-322-080	0E	C-CAP,S 100P-50 J CH GRM	HTNM	AV-D37
O	POWER AMP	C 0408	87-A10-897-080	0E	CAP,E 100-25 BP SME	HCNM	AV-D37
O	POWER AMP	C 0408	87-A10-897-080	0E	CAP,E 100-25 BP SME	HRJNM	AV-D37
O	POWER AMP	C 0408	87-A10-897-080	0E	CAP,E 100-25 BP SME	HTNM	AV-D37
O	POWER AMP	C 0409	87-A12-313-080	--	C-CAP,S 150P-200 J CH	HCNM	AV-D37
O	POWER AMP	C 0409	87-A12-313-080	--	C-CAP,S 150P-200 J CH	HRJNM	AV-D37
O	POWER AMP	C 0409	87-A12-313-080	--	C-CAP,S 150P-200 J CH	HTNM	AV-D37
X	POWER AMP	C 0410	88-118-103-080	0E	C-RES,S 10K-1/10W J	HCNM	AV-D37
X	POWER AMP	C 0410	88-118-103-080	0E	C-RES,S 10K-1/10W J	HRJNM	AV-D37
X	POWER AMP	C 0410	88-118-103-080	0E	C-RES,S 10K-1/10W J	HTNM	AV-D37
O	POWER AMP	C 0411	87-016-526-080	0E	C-CAP,S 0.47-16 BK	HCNM	AV-D37
O	POWER AMP	C 0411	87-016-526-080	0E	C-CAP,S 0.47-16 BK	HRJNM	AV-D37
O	POWER AMP	C 0411	87-016-526-080	0E	C-CAP,S 0.47-16 BK	HTNM	AV-D37
O	POWER AMP	C 0412	87-010-402-080	0E	CAP,E 2.2-50 M 11L SME	HCNM	AV-D37
O	POWER AMP	C 0412	87-010-402-080	0E	CAP,E 2.2-50 M 11L SME	HRJNM	AV-D37
O	POWER AMP	C 0412	87-010-402-080	0E	CAP,E 2.2-50 M 11L SME	HTNM	AV-D37
O	POWER AMP	C 0413	87-010-196-080	0E	C-CAP,S 0.1-25 Z F C2012	HCNM	AV-D37
O	POWER AMP	C 0413	87-010-196-080	0E	C-CAP,S 0.1-25 Z F C2012	HRJNM	AV-D37
O	POWER AMP	C 0413	87-010-196-080	0E	C-CAP,S 0.1-25 Z F C2012	HTNM	AV-D37
O	POWER AMP	C 0414	87-010-178-080	0E	C-CAP,S 1000P-50 K B C2012	HCNM	AV-D37
O	POWER AMP	C 0414	87-010-178-080	0E	C-CAP,S 1000P-50 K B C2012	HRJNM	AV-D37
O	POWER AMP	C 0414	87-010-178-080	0E	C-CAP,S 1000P-50 K B C2012	HTNM	AV-D37
O	POWER AMP	C 0416	87-016-299-080	0E	CAP,E 10-100 M SME	HCNM	AV-D37
O	POWER AMP	C 0416	87-016-299-080	0E	CAP,E 10-100 M SME	HRJNM	AV-D37
O	POWER AMP	C 0416	87-016-299-080	0E	CAP,E 10-100 M SME	HTNM	AV-D37
O	POWER AMP	C 0420	87-A10-354-080	0E	C-CAP,S 0.047-50 K B	HCNM	AV-D37
O	POWER AMP	C 0420	87-A10-354-080	0E	C-CAP,S 0.047-50 K B	HRJNM	AV-D37
O	POWER AMP	C 0420	87-A10-354-080	0E	C-CAP,S 0.047-50 K B	HTNM	AV-D37
O	POWER AMP	C 0485	87-010-186-080	0E	C-CAP,S 4700P-50 K B C2012	HCNM	AV-D37
O	POWER AMP	C 0485	87-010-186-080	0E	C-CAP,S 4700P-50 K B C2012	HRJNM	AV-D37
O	POWER AMP	C 0485	87-010-186-080	0E	C-CAP,S 4700P-50 K B C2012	HTNM	AV-D37
O	POWER AMP	C 0491	87-012-368-080	0E	C-CAP,S 0.1-50 Z F	HCNM	AV-D37
O	POWER AMP	C 0491	87-012-368-080	0E	C-CAP,S 0.1-50 Z F	HRJNM	AV-D37
O	POWER AMP	C 0491	87-012-368-080	0E	C-CAP,S 0.1-50 Z F	HTNM	AV-D37
O	POWER AMP	C 0492	87-012-368-080	0E	C-CAP,S 0.1-50 Z F	HCNM	AV-D37
O	POWER AMP	C 0492	87-012-368-080	0E	C-CAP,S 0.1-50 Z F	HRJNM	AV-D37
O	POWER AMP	C 0492	87-012-368-080	0E	C-CAP,S 0.1-50 Z F	HTNM	AV-D37
O	POWER AMP	C 0745	87-012-368-080	0E	C-CAP,S 0.1-50 Z F	HCNM	AV-D37
O	POWER AMP	C 0745	87-012-368-080	0E	C-CAP,S 0.1-50 Z F	HRJNM	AV-D37
O	POWER AMP	C 0745	87-012-368-080	0E	C-CAP,S 0.1-50 Z F	HTNM	AV-D37



# PARTS LIST

! =  $\Delta$  SAFTY PARTS  
 C = Components marked

All components used on this model at the production line are shown in this service manual.

However, please note that not all components will be available as spare parts for after-sales service.

Components marked S and O are designated as spare parts for service and will be stocked at the spare parts centers.

Components marked X and R are not designated as spare parts for after sales service, and will not be stocked at the spare parts centers.

K NO. = Only use japanese.

! C	UNIT NAME	REF NO.	PARTS CODE	K NO.	DESCRIPTION	SUFFIX	MODEL NAME
O	POWER AMP	C 0746	87-012-368-080	0E	C-CAP,S 0.1-50 Z F	HCNM	AV-D37
O	POWER AMP	C 0746	87-012-368-080	0E	C-CAP,S 0.1-50 Z F	HRJNM	AV-D37
O	POWER AMP	C 0746	87-012-368-080	0E	C-CAP,S 0.1-50 Z F	HTNM	AV-D37
O	POWER AMP	CNA0201	8Z-AR4-606-010	1B	CONN ASSY,8P VH	HCNM	AV-D37
O	POWER AMP	CNA0201	8Z-AR4-606-010	1B	CONN ASSY,8P VH	HRJNM	AV-D37
O	POWER AMP	CNA0201	8Z-AR4-606-010	1B	CONN ASSY,8P VH	HTNM	AV-D37
O	POWER AMP	CNA0202	8Z-AR4-605-010	1A	CONN ASSY,6P VH	HCNM	AV-D37
O	POWER AMP	CNA0202	8Z-AR4-605-010	1A	CONN ASSY,6P VH	HRJNM	AV-D37
O	POWER AMP	CNA0202	8Z-AR4-605-010	1A	CONN ASSY,6P VH	HTNM	AV-D37
S	POWER AMP	D 0201	87-020-465-080	0E	DIODE,1SS133	HCNM	AV-D37
S	POWER AMP	D 0201	87-020-465-080	0E	DIODE,1SS133	HRJNM	AV-D37
S	POWER AMP	D 0201	87-020-465-080	0E	DIODE,1SS133	HTNM	AV-D37
S	POWER AMP	D 0202	87-020-465-080	0E	DIODE,1SS133	HCNM	AV-D37
S	POWER AMP	D 0202	87-020-465-080	0E	DIODE,1SS133	HRJNM	AV-D37
S	POWER AMP	D 0202	87-020-465-080	0E	DIODE,1SS133	HTNM	AV-D37
S	POWER AMP	D 0209	87-020-465-080	0E	DIODE,1SS133	HCNM	AV-D37
S	POWER AMP	D 0209	87-020-465-080	0E	DIODE,1SS133	HRJNM	AV-D37
S	POWER AMP	D 0209	87-020-465-080	0E	DIODE,1SS133	HTNM	AV-D37
S	POWER AMP	D 0210	87-020-465-080	0E	DIODE,1SS133	HCNM	AV-D37
S	POWER AMP	D 0210	87-020-465-080	0E	DIODE,1SS133	HRJNM	AV-D37
S	POWER AMP	D 0210	87-020-465-080	0E	DIODE,1SS133	HTNM	AV-D37
S	POWER AMP	D 0211	87-A40-646-010	1B	DIODE,FMB-G16L	HCNM	AV-D37
S	POWER AMP	D 0211	87-A40-646-010	1B	DIODE,FMB-G16L	HRJNM	AV-D37
S	POWER AMP	D 0211	87-A40-646-010	1B	DIODE,FMB-G16L	HTNM	AV-D37
S	POWER AMP	D 0212	87-A40-646-010	1B	DIODE,FMB-G16L	HCNM	AV-D37
S	POWER AMP	D 0212	87-A40-646-010	1B	DIODE,FMB-G16L	HRJNM	AV-D37
S	POWER AMP	D 0212	87-A40-646-010	1B	DIODE,FMB-G16L	HTNM	AV-D37
S	POWER AMP	D 0213	87-A40-348-080	0E	ZENER,MTZJ3.3A	HCNM	AV-D37
S	POWER AMP	D 0213	87-A40-348-080	0E	ZENER,MTZJ3.3A	HRJNM	AV-D37
S	POWER AMP	D 0213	87-A40-348-080	0E	ZENER,MTZJ3.3A	HTNM	AV-D37
S	POWER AMP	D 0214	87-A40-438-080	0E	ZENER,MTZJ4.7A	HCNM	AV-D37
S	POWER AMP	D 0214	87-A40-438-080	0E	ZENER,MTZJ4.7A	HRJNM	AV-D37
S	POWER AMP	D 0214	87-A40-438-080	0E	ZENER,MTZJ4.7A	HTNM	AV-D37
S	POWER AMP	D 0215	87-020-465-080	0E	DIODE,1SS133	HCNM	AV-D37
S	POWER AMP	D 0215	87-020-465-080	0E	DIODE,1SS133	HRJNM	AV-D37
S	POWER AMP	D 0215	87-020-465-080	0E	DIODE,1SS133	HTNM	AV-D37
S	POWER AMP	D 0216	87-020-465-080	0E	DIODE,1SS133	HCNM	AV-D37
S	POWER AMP	D 0216	87-020-465-080	0E	DIODE,1SS133	HRJNM	AV-D37
S	POWER AMP	D 0216	87-020-465-080	0E	DIODE,1SS133	HTNM	AV-D37
S	POWER AMP	D 0217	87-020-465-080	0E	DIODE,1SS133	HCNM	AV-D37
S	POWER AMP	D 0217	87-020-465-080	0E	DIODE,1SS133	HRJNM	AV-D37
S	POWER AMP	D 0217	87-020-465-080	0E	DIODE,1SS133	HTNM	AV-D37
S	POWER AMP	D 0218	87-020-465-080	0E	DIODE,1SS133	HCNM	AV-D37
S	POWER AMP	D 0218	87-020-465-080	0E	DIODE,1SS133	HRJNM	AV-D37
S	POWER AMP	D 0218	87-020-465-080	0E	DIODE,1SS133	HTNM	AV-D37
S	POWER AMP	D 0219	87-020-465-080	0E	DIODE,1SS133	HCNM	AV-D37
S	POWER AMP	D 0219	87-020-465-080	0E	DIODE,1SS133	HRJNM	AV-D37
S	POWER AMP	D 0219	87-020-465-080	0E	DIODE,1SS133	HTNM	AV-D37
S	POWER AMP	D 0220	87-020-465-080	0E	DIODE,1SS133	HCNM	AV-D37
S	POWER AMP	D 0220	87-020-465-080	0E	DIODE,1SS133	HRJNM	AV-D37
S	POWER AMP	D 0220	87-020-465-080	0E	DIODE,1SS133	HTNM	AV-D37
S	POWER AMP	D 0221	87-070-274-080	0E	DIODE,1N4003 SEM	HCNM	AV-D37
S	POWER AMP	D 0221	87-070-274-080	0E	DIODE,1N4003 SEM	HRJNM	AV-D37
S	POWER AMP	D 0221	87-070-274-080	0E	DIODE,1N4003 SEM	HTNM	AV-D37
S	POWER AMP	D 0223	87-020-465-080	0E	DIODE,1SS133	HCNM	AV-D37
S	POWER AMP	D 0223	87-020-465-080	0E	DIODE,1SS133	HRJNM	AV-D37
S	POWER AMP	D 0223	87-020-465-080	0E	DIODE,1SS133	HTNM	AV-D37
S	POWER AMP	D 0224	87-020-465-080	0E	DIODE,1SS133	HCNM	AV-D37
S	POWER AMP	D 0224	87-020-465-080	0E	DIODE,1SS133	HRJNM	AV-D37
S	POWER AMP	D 0224	87-020-465-080	0E	DIODE,1SS133	HTNM	AV-D37
S	POWER AMP	D 0225	87-020-465-080	0E	DIODE,1SS133	HCNM	AV-D37
S	POWER AMP	D 0225	87-020-465-080	0E	DIODE,1SS133	HRJNM	AV-D37
S	POWER AMP	D 0225	87-020-465-080	0E	DIODE,1SS133	HTNM	AV-D37
S	POWER AMP	D 0226	87-020-465-080	0E	DIODE,1SS133	HCNM	AV-D37
S	POWER AMP	D 0226	87-020-465-080	0E	DIODE,1SS133	HRJNM	AV-D37
S	POWER AMP	D 0226	87-020-465-080	0E	DIODE,1SS133	HTNM	AV-D37
S	POWER AMP	D 0227	87-020-465-080	0E	DIODE,1SS133	HCNM	AV-D37
S	POWER AMP	D 0227	87-020-465-080	0E	DIODE,1SS133	HRJNM	AV-D37
S	POWER AMP	D 0227	87-020-465-080	0E	DIODE,1SS133	HTNM	AV-D37
S	POWER AMP	D 0241	87-A40-488-080	0E	DIODE,1SS244	HCNM	AV-D37

# PARTS LIST

! =  $\Delta$  SAFTY PARTS  
 C = Components marked

All components used on this model at the production line are shown in this service manual.

However, please note that not all components will be available as spare parts for after-sales service.

Components marked S and O are designated as spare parts for service and will be stocked at the spare parts centers.

Components marked X and R are not designated as spare parts for after sales service, and will not be stocked at the spare parts centers.

K NO. = Only use japanese.

! C	UNIT NAME	REF NO.	PARTS CODE	K NO.	DESCRIPTION	SUFFIX	MODEL NAME
S	POWER AMP	D 0241	87-A40-488-080	0E	DIODE,1SS244	HRJNM	AV-D37
S	POWER AMP	D 0241	87-A40-488-080	0E	DIODE,1SS244	HTNM	AV-D37
S	POWER AMP	D 0242	87-A40-488-080	0E	DIODE,1SS244	HCNM	AV-D37
S	POWER AMP	D 0242	87-A40-488-080	0E	DIODE,1SS244	HRJNM	AV-D37
S	POWER AMP	D 0242	87-A40-488-080	0E	DIODE,1SS244	HTNM	AV-D37
S	POWER AMP	D 0243	87-A40-345-080	0E	ZENER,MTZJ10C	HCNM	AV-D37
S	POWER AMP	D 0243	87-A40-345-080	0E	ZENER,MTZJ10C	HRJNM	AV-D37
S	POWER AMP	D 0243	87-A40-345-080	0E	ZENER,MTZJ10C	HTNM	AV-D37
S	POWER AMP	D 0301	87-020-465-080	0E	DIODE,1SS133	HCNM	AV-D37
S	POWER AMP	D 0301	87-020-465-080	0E	DIODE,1SS133	HRJNM	AV-D37
S	POWER AMP	D 0301	87-020-465-080	0E	DIODE,1SS133	HTNM	AV-D37
S	POWER AMP	D 0302	87-020-465-080	0E	DIODE,1SS133	HCNM	AV-D37
S	POWER AMP	D 0302	87-020-465-080	0E	DIODE,1SS133	HRJNM	AV-D37
S	POWER AMP	D 0302	87-020-465-080	0E	DIODE,1SS133	HTNM	AV-D37
S	POWER AMP	D 0309	87-020-465-080	0E	DIODE,1SS133	HCNM	AV-D37
S	POWER AMP	D 0309	87-020-465-080	0E	DIODE,1SS133	HRJNM	AV-D37
S	POWER AMP	D 0309	87-020-465-080	0E	DIODE,1SS133	HTNM	AV-D37
S	POWER AMP	D 0310	87-020-465-080	0E	DIODE,1SS133	HCNM	AV-D37
S	POWER AMP	D 0310	87-020-465-080	0E	DIODE,1SS133	HRJNM	AV-D37
S	POWER AMP	D 0310	87-020-465-080	0E	DIODE,1SS133	HTNM	AV-D37
S	POWER AMP	D 0311	87-A40-646-010	1B	DIODE,FMB-G16L	HCNM	AV-D37
S	POWER AMP	D 0311	87-A40-646-010	1B	DIODE,FMB-G16L	HRJNM	AV-D37
S	POWER AMP	D 0311	87-A40-646-010	1B	DIODE,FMB-G16L	HTNM	AV-D37
S	POWER AMP	D 0312	87-A40-646-010	1B	DIODE,FMB-G16L	HCNM	AV-D37
S	POWER AMP	D 0312	87-A40-646-010	1B	DIODE,FMB-G16L	HRJNM	AV-D37
S	POWER AMP	D 0312	87-A40-646-010	1B	DIODE,FMB-G16L	HTNM	AV-D37
S	POWER AMP	D 0313	87-070-136-080	0E	ZENER,MTZJ5.1B	HCNM	AV-D37
S	POWER AMP	D 0313	87-070-136-080	0E	ZENER,MTZJ5.1B	HRJNM	AV-D37
S	POWER AMP	D 0313	87-070-136-080	0E	ZENER,MTZJ5.1B	HTNM	AV-D37
S	POWER AMP	D 0314	87-A40-344-080	0E	ZENER,MTZJ6.2C	HCNM	AV-D37
S	POWER AMP	D 0314	87-A40-344-080	0E	ZENER,MTZJ6.2C	HRJNM	AV-D37
S	POWER AMP	D 0314	87-A40-344-080	0E	ZENER,MTZJ6.2C	HTNM	AV-D37
S	POWER AMP	D 0315	87-020-465-080	0E	DIODE,1SS133	HCNM	AV-D37
S	POWER AMP	D 0315	87-020-465-080	0E	DIODE,1SS133	HRJNM	AV-D37
S	POWER AMP	D 0315	87-020-465-080	0E	DIODE,1SS133	HTNM	AV-D37
S	POWER AMP	D 0316	87-020-465-080	0E	DIODE,1SS133	HCNM	AV-D37
S	POWER AMP	D 0316	87-020-465-080	0E	DIODE,1SS133	HRJNM	AV-D37
S	POWER AMP	D 0316	87-020-465-080	0E	DIODE,1SS133	HTNM	AV-D37
S	POWER AMP	D 0317	87-020-465-080	0E	DIODE,1SS133	HCNM	AV-D37
S	POWER AMP	D 0317	87-020-465-080	0E	DIODE,1SS133	HRJNM	AV-D37
S	POWER AMP	D 0317	87-020-465-080	0E	DIODE,1SS133	HTNM	AV-D37
S	POWER AMP	D 0318	87-020-465-080	0E	DIODE,1SS133	HCNM	AV-D37
S	POWER AMP	D 0318	87-020-465-080	0E	DIODE,1SS133	HRJNM	AV-D37
S	POWER AMP	D 0318	87-020-465-080	0E	DIODE,1SS133	HTNM	AV-D37
S	POWER AMP	D 0319	87-020-465-080	0E	DIODE,1SS133	HCNM	AV-D37
S	POWER AMP	D 0319	87-020-465-080	0E	DIODE,1SS133	HRJNM	AV-D37
S	POWER AMP	D 0319	87-020-465-080	0E	DIODE,1SS133	HTNM	AV-D37
S	POWER AMP	D 0320	87-020-465-080	0E	DIODE,1SS133	HCNM	AV-D37
S	POWER AMP	D 0320	87-020-465-080	0E	DIODE,1SS133	HRJNM	AV-D37
S	POWER AMP	D 0320	87-020-465-080	0E	DIODE,1SS133	HTNM	AV-D37
S	POWER AMP	D 0321	87-070-274-080	0E	DIODE,1N4003 SEM	HCNM	AV-D37
S	POWER AMP	D 0321	87-070-274-080	0E	DIODE,1N4003 SEM	HRJNM	AV-D37
S	POWER AMP	D 0321	87-070-274-080	0E	DIODE,1N4003 SEM	HTNM	AV-D37
S	POWER AMP	D 0323	87-020-465-080	0E	DIODE,1SS133	HCNM	AV-D37
S	POWER AMP	D 0323	87-020-465-080	0E	DIODE,1SS133	HRJNM	AV-D37
S	POWER AMP	D 0323	87-020-465-080	0E	DIODE,1SS133	HTNM	AV-D37
S	POWER AMP	D 0324	87-020-465-080	0E	DIODE,1SS133	HCNM	AV-D37
S	POWER AMP	D 0324	87-020-465-080	0E	DIODE,1SS133	HRJNM	AV-D37
S	POWER AMP	D 0324	87-020-465-080	0E	DIODE,1SS133	HTNM	AV-D37
S	POWER AMP	D 0325	87-020-465-080	0E	DIODE,1SS133	HCNM	AV-D37
S	POWER AMP	D 0325	87-020-465-080	0E	DIODE,1SS133	HRJNM	AV-D37
S	POWER AMP	D 0325	87-020-465-080	0E	DIODE,1SS133	HTNM	AV-D37
S	POWER AMP	D 0341	87-A40-488-080	0E	DIODE,1SS244	HCNM	AV-D37
S	POWER AMP	D 0341	87-A40-488-080	0E	DIODE,1SS244	HRJNM	AV-D37
S	POWER AMP	D 0341	87-A40-488-080	0E	DIODE,1SS244	HTNM	AV-D37
S	POWER AMP	D 0342	87-A40-488-080	0E	DIODE,1SS244	HCNM	AV-D37
S	POWER AMP	D 0342	87-A40-488-080	0E	DIODE,1SS244	HRJNM	AV-D37
S	POWER AMP	D 0342	87-A40-488-080	0E	DIODE,1SS244	HTNM	AV-D37
S	POWER AMP	D 0343	87-A40-345-080	0E	ZENER,MTZJ10C	HCNM	AV-D37
S	POWER AMP	D 0343	87-A40-345-080	0E	ZENER,MTZJ10C	HRJNM	AV-D37
S	POWER AMP	D 0343	87-A40-345-080	0E	ZENER,MTZJ10C	HTNM	AV-D37

# PARTS LIST

! =  $\Delta$  SAFTY PARTS  
 C = Components marked

All components used on this model at the production line are shown in this service manual.

However, please note that not all components will be available as spare parts for after-sales service.

Components marked S and O are designated as spare parts for service and will be stocked at the spare parts centers.

Components marked X and R are not designated as spare parts for after sales service, and will not be stocked at the spare parts centers.

K NO. = Only use japanese.

! C	UNIT NAME	REF NO.	PARTS CODE	K NO.	DESCRIPTION	SUFFIX	MODEL NAME
S	POWER AMP	D 0343	87-A40-345-080	0E	ZENER, MTZJ10C	HTNM	AV-D37
S	POWER AMP	D 0345	87-020-465-080	0E	DIODE, 1SS133	HCNM	AV-D37
S	POWER AMP	D 0345	87-020-465-080	0E	DIODE, 1SS133	HRJNM	AV-D37
S	POWER AMP	D 0345	87-020-465-080	0E	DIODE, 1SS133	HTNM	AV-D37
S	POWER AMP	D 0346	87-020-465-080	0E	DIODE, 1SS133	HCNM	AV-D37
S	POWER AMP	D 0346	87-020-465-080	0E	DIODE, 1SS133	HRJNM	AV-D37
S	POWER AMP	D 0346	87-020-465-080	0E	DIODE, 1SS133	HTNM	AV-D37
S	POWER AMP	D 0401	87-020-465-080	0E	DIODE, 1SS133	HCNM	AV-D37
S	POWER AMP	D 0401	87-020-465-080	0E	DIODE, 1SS133	HRJNM	AV-D37
S	POWER AMP	D 0401	87-020-465-080	0E	DIODE, 1SS133	HTNM	AV-D37
S	POWER AMP	D 0405	87-020-465-080	0E	DIODE, 1SS133	HCNM	AV-D37
S	POWER AMP	D 0405	87-020-465-080	0E	DIODE, 1SS133	HRJNM	AV-D37
S	POWER AMP	D 0405	87-020-465-080	0E	DIODE, 1SS133	HTNM	AV-D37
S	POWER AMP	D 0406	87-A40-646-010	1B	DIODE, FMB-G16L	HCNM	AV-D37
S	POWER AMP	D 0406	87-A40-646-010	1B	DIODE, FMB-G16L	HRJNM	AV-D37
S	POWER AMP	D 0406	87-A40-646-010	1B	DIODE, FMB-G16L	HTNM	AV-D37
S	POWER AMP	D 0407	87-A40-646-010	1B	DIODE, FMB-G16L	HCNM	AV-D37
S	POWER AMP	D 0407	87-A40-646-010	1B	DIODE, FMB-G16L	HRJNM	AV-D37
S	POWER AMP	D 0407	87-A40-646-010	1B	DIODE, FMB-G16L	HTNM	AV-D37
S	POWER AMP	D 0408	87-070-136-080	0E	ZENER, MTZJ5.1B	HCNM	AV-D37
S	POWER AMP	D 0408	87-070-136-080	0E	ZENER, MTZJ5.1B	HRJNM	AV-D37
S	POWER AMP	D 0408	87-070-136-080	0E	ZENER, MTZJ5.1B	HTNM	AV-D37
S	POWER AMP	D 0409	87-A40-344-080	0E	ZENER, MTZJ6.2C	HCNM	AV-D37
S	POWER AMP	D 0409	87-A40-344-080	0E	ZENER, MTZJ6.2C	HRJNM	AV-D37
S	POWER AMP	D 0409	87-A40-344-080	0E	ZENER, MTZJ6.2C	HTNM	AV-D37
S	POWER AMP	D 0410	87-020-465-080	0E	DIODE, 1SS133	HCNM	AV-D37
S	POWER AMP	D 0410	87-020-465-080	0E	DIODE, 1SS133	HRJNM	AV-D37
S	POWER AMP	D 0410	87-020-465-080	0E	DIODE, 1SS133	HTNM	AV-D37
S	POWER AMP	D 0411	87-020-465-080	0E	DIODE, 1SS133	HCNM	AV-D37
S	POWER AMP	D 0411	87-020-465-080	0E	DIODE, 1SS133	HRJNM	AV-D37
S	POWER AMP	D 0411	87-020-465-080	0E	DIODE, 1SS133	HTNM	AV-D37
S	POWER AMP	D 0412	87-020-465-080	0E	DIODE, 1SS133	HCNM	AV-D37
S	POWER AMP	D 0412	87-020-465-080	0E	DIODE, 1SS133	HRJNM	AV-D37
S	POWER AMP	D 0412	87-020-465-080	0E	DIODE, 1SS133	HTNM	AV-D37
S	POWER AMP	D 0413	87-070-274-080	0E	DIODE, 1N4003 SEM	HCNM	AV-D37
S	POWER AMP	D 0413	87-070-274-080	0E	DIODE, 1N4003 SEM	HRJNM	AV-D37
S	POWER AMP	D 0413	87-070-274-080	0E	DIODE, 1N4003 SEM	HTNM	AV-D37
S	POWER AMP	D 0414	87-020-465-080	0E	DIODE, 1SS133	HCNM	AV-D37
S	POWER AMP	D 0414	87-020-465-080	0E	DIODE, 1SS133	HRJNM	AV-D37
S	POWER AMP	D 0414	87-020-465-080	0E	DIODE, 1SS133	HTNM	AV-D37
S	POWER AMP	D 0420	87-020-465-080	0E	DIODE, 1SS133	HCNM	AV-D37
S	POWER AMP	D 0420	87-020-465-080	0E	DIODE, 1SS133	HRJNM	AV-D37
S	POWER AMP	D 0420	87-020-465-080	0E	DIODE, 1SS133	HTNM	AV-D37
S	POWER AMP	D 0423	87-020-465-080	0E	DIODE, 1SS133	HCNM	AV-D37
S	POWER AMP	D 0423	87-020-465-080	0E	DIODE, 1SS133	HRJNM	AV-D37
S	POWER AMP	D 0423	87-020-465-080	0E	DIODE, 1SS133	HTNM	AV-D37
S	POWER AMP	D 0423	87-020-465-080	0E	DIODE, 1SS133	HCNM	AV-D37
S	POWER AMP	D 0425	87-020-465-080	0E	DIODE, 1SS133	HCNM	AV-D37
S	POWER AMP	D 0425	87-020-465-080	0E	DIODE, 1SS133	HRJNM	AV-D37
S	POWER AMP	D 0425	87-020-465-080	0E	DIODE, 1SS133	HTNM	AV-D37
S	POWER AMP	D 0433	87-A40-345-080	0E	ZENER, MTZJ10C	HCNM	AV-D37
S	POWER AMP	D 0433	87-A40-345-080	0E	ZENER, MTZJ10C	HRJNM	AV-D37
S	POWER AMP	D 0433	87-A40-345-080	0E	ZENER, MTZJ10C	HTNM	AV-D37
S	POWER AMP	D 0441	87-020-465-080	0E	DIODE, 1SS133	HCNM	AV-D37
S	POWER AMP	D 0441	87-020-465-080	0E	DIODE, 1SS133	HRJNM	AV-D37
S	POWER AMP	D 0441	87-020-465-080	0E	DIODE, 1SS133	HTNM	AV-D37
X	POWER AMP	EP 0001	81-689-212-010	0E	PLATE, EARTH	HCNM	AV-D37
X	POWER AMP	EP 0001	81-689-212-010	0E	PLATE, EARTH	HRJNM	AV-D37
X	POWER AMP	EP 0001	81-689-212-010	0E	PLATE, EARTH	HTNM	AV-D37
X	POWER AMP	EP 0002	81-689-212-010	0E	PLATE, EARTH	HCNM	AV-D37
X	POWER AMP	EP 0002	81-689-212-010	0E	PLATE, EARTH	HRJNM	AV-D37
X	POWER AMP	EP 0002	81-689-212-010	0E	PLATE, EARTH	HTNM	AV-D37
O	POWER AMP	J 0715	87-A61-059-010	1A	JACK, PIN 1P BLK W/O SW GOLD	HCNM	AV-D37
O	POWER AMP	J 0715	87-A61-059-010	1A	JACK, PIN 1P BLK W/O SW GOLD	HRJNM	AV-D37
O	POWER AMP	J 0715	87-A61-059-010	1A	JACK, PIN 1P BLK W/O SW GOLD	HTNM	AV-D37
X	POWER AMP	JR 0110	88-129-000-080	0E	C-JUMPER, 3216	HCNM	AV-D37
X	POWER AMP	JR 0110	88-129-000-080	0E	C-JUMPER, 3216	HRJNM	AV-D37
X	POWER AMP	JR 0110	88-129-000-080	0E	C-JUMPER, 3216	HTNM	AV-D37
X	POWER AMP	JR 0202	88-118-000-080	0E	C-JUMPER, S	HCNM	AV-D37
X	POWER AMP	JR 0202	88-118-000-080	0E	C-JUMPER, S	HRJNM	AV-D37
X	POWER AMP	JR 0202	88-118-000-080	0E	C-JUMPER, S	HTNM	AV-D37

# PARTS LIST

! =  $\Delta$  SAFTY PARTS  
 C = Components marked

All components used on this model at the production line are shown in this service manual.

However, please note that not all components will be available as spare parts for after-sales service.

Components marked S and O are designated as spare parts for service and will be stocked at the spare parts centers.

Components marked X and R are not designated as spare parts for after sales service, and will not be stocked at the spare parts centers.

K NO. = Only use japanese.

! C	UNIT NAME	REF NO.	PARTS CODE	K NO.	DESCRIPTION	SUFFIX	MODEL NAME
X	POWER AMP	JR 0203	88-118-000-080	0E	C-JUMPER, S	HCNM	AV-D37
X	POWER AMP	JR 0203	88-118-000-080	0E	C-JUMPER, S	HRJNM	AV-D37
X	POWER AMP	JR 0203	88-118-000-080	0E	C-JUMPER, S	HTNM	AV-D37
X	POWER AMP	JR 0204	88-118-000-080	0E	C-JUMPER, S	HCNM	AV-D37
X	POWER AMP	JR 0204	88-118-000-080	0E	C-JUMPER, S	HRJNM	AV-D37
X	POWER AMP	JR 0204	88-118-000-080	0E	C-JUMPER, S	HTNM	AV-D37
X	POWER AMP	JR 0206	88-118-000-080	0E	C-JUMPER, S	HCNM	AV-D37
X	POWER AMP	JR 0206	88-118-000-080	0E	C-JUMPER, S	HRJNM	AV-D37
X	POWER AMP	JR 0206	88-118-000-080	0E	C-JUMPER, S	HTNM	AV-D37
X	POWER AMP	JR 0209	88-118-000-080	0E	C-JUMPER, S	HCNM	AV-D37
X	POWER AMP	JR 0209	88-118-000-080	0E	C-JUMPER, S	HRJNM	AV-D37
X	POWER AMP	JR 0210	88-129-000-080	0E	C-JUMPER, 3216	HCNM	AV-D37
X	POWER AMP	JR 0210	88-129-000-080	0E	C-JUMPER, 3216	HRJNM	AV-D37
X	POWER AMP	JR 0210	88-129-000-080	0E	C-JUMPER, 3216	HTNM	AV-D37
X	POWER AMP	JR 0212	88-118-000-080	0E	C-JUMPER, S	HCNM	AV-D37
X	POWER AMP	JR 0212	88-118-000-080	0E	C-JUMPER, S	HRJNM	AV-D37
X	POWER AMP	JR 0212	88-118-000-080	0E	C-JUMPER, S	HTNM	AV-D37
X	POWER AMP	JR 0213	88-118-000-080	0E	C-JUMPER, S	HCNM	AV-D37
X	POWER AMP	JR 0213	88-118-000-080	0E	C-JUMPER, S	HRJNM	AV-D37
X	POWER AMP	JR 0213	88-118-000-080	0E	C-JUMPER, S	HTNM	AV-D37
X	POWER AMP	JR 0216	88-129-000-080	0E	C-JUMPER, 3216	HCNM	AV-D37
X	POWER AMP	JR 0216	88-129-000-080	0E	C-JUMPER, 3216	HRJNM	AV-D37
X	POWER AMP	JR 0216	88-129-000-080	0E	C-JUMPER, 3216	HTNM	AV-D37
X	POWER AMP	JR 0218	88-118-000-080	0E	C-JUMPER, S	HCNM	AV-D37
X	POWER AMP	JR 0218	88-118-000-080	0E	C-JUMPER, S	HRJNM	AV-D37
X	POWER AMP	JR 0218	88-118-000-080	0E	C-JUMPER, S	HTNM	AV-D37
X	POWER AMP	JR 0219	88-118-000-080	0E	C-JUMPER, S	HCNM	AV-D37
X	POWER AMP	JR 0219	88-118-000-080	0E	C-JUMPER, S	HRJNM	AV-D37
X	POWER AMP	JR 0219	88-118-000-080	0E	C-JUMPER, S	HTNM	AV-D37
X	POWER AMP	JR 0220	88-129-000-080	0E	C-JUMPER, 3216	HCNM	AV-D37
X	POWER AMP	JR 0220	88-129-000-080	0E	C-JUMPER, 3216	HRJNM	AV-D37
X	POWER AMP	JR 0220	88-129-000-080	0E	C-JUMPER, 3216	HTNM	AV-D37
X	POWER AMP	JR 0221	88-129-000-080	0E	C-JUMPER, 3216	HCNM	AV-D37
X	POWER AMP	JR 0221	88-129-000-080	0E	C-JUMPER, 3216	HRJNM	AV-D37
X	POWER AMP	JR 0221	88-129-000-080	0E	C-JUMPER, 3216	HTNM	AV-D37
X	POWER AMP	JR 0222	88-118-000-080	0E	C-JUMPER, S	HCNM	AV-D37
X	POWER AMP	JR 0222	88-118-000-080	0E	C-JUMPER, S	HRJNM	AV-D37
X	POWER AMP	JR 0222	88-118-000-080	0E	C-JUMPER, S	HTNM	AV-D37
X	POWER AMP	JR 0223	88-129-000-080	0E	C-JUMPER, 3216	HCNM	AV-D37
X	POWER AMP	JR 0223	88-129-000-080	0E	C-JUMPER, 3216	HRJNM	AV-D37
X	POWER AMP	JR 0223	88-129-000-080	0E	C-JUMPER, 3216	HTNM	AV-D37
X	POWER AMP	JR 0224	88-118-000-080	0E	C-JUMPER, S	HCNM	AV-D37
X	POWER AMP	JR 0224	88-118-000-080	0E	C-JUMPER, S	HRJNM	AV-D37
X	POWER AMP	JR 0224	88-118-000-080	0E	C-JUMPER, S	HTNM	AV-D37
X	POWER AMP	JR 0225	88-118-000-080	0E	C-JUMPER, S	HCNM	AV-D37
X	POWER AMP	JR 0225	88-118-000-080	0E	C-JUMPER, S	HRJNM	AV-D37
X	POWER AMP	JR 0225	88-118-000-080	0E	C-JUMPER, S	HTNM	AV-D37
X	POWER AMP	JR 0227	88-129-000-080	0E	C-JUMPER, 3216	HCNM	AV-D37
X	POWER AMP	JR 0227	88-129-000-080	0E	C-JUMPER, 3216	HRJNM	AV-D37
X	POWER AMP	JR 0227	88-129-000-080	0E	C-JUMPER, 3216	HTNM	AV-D37
X	POWER AMP	JR 0228	88-129-000-080	0E	C-JUMPER, 3216	HCNM	AV-D37
X	POWER AMP	JR 0228	88-129-000-080	0E	C-JUMPER, 3216	HRJNM	AV-D37
X	POWER AMP	JR 0228	88-129-000-080	0E	C-JUMPER, 3216	HTNM	AV-D37
X	POWER AMP	JR 0229	88-118-000-080	0E	C-JUMPER, S	HCNM	AV-D37
X	POWER AMP	JR 0229	88-118-000-080	0E	C-JUMPER, S	HRJNM	AV-D37
X	POWER AMP	JR 0229	88-118-000-080	0E	C-JUMPER, S	HTNM	AV-D37
X	POWER AMP	JR 0230	88-118-000-080	0E	C-JUMPER, S	HCNM	AV-D37
X	POWER AMP	JR 0230	88-118-000-080	0E	C-JUMPER, S	HRJNM	AV-D37
X	POWER AMP	JR 0230	88-118-000-080	0E	C-JUMPER, S	HTNM	AV-D37
X	POWER AMP	JR 0231	88-118-000-080	0E	C-JUMPER, S	HCNM	AV-D37
X	POWER AMP	JR 0231	88-118-000-080	0E	C-JUMPER, S	HRJNM	AV-D37
X	POWER AMP	JR 0231	88-118-000-080	0E	C-JUMPER, S	HTNM	AV-D37
X	POWER AMP	JR 0232	88-118-000-080	0E	C-JUMPER, S	HCNM	AV-D37
X	POWER AMP	JR 0232	88-118-000-080	0E	C-JUMPER, S	HRJNM	AV-D37
X	POWER AMP	JR 0232	88-118-000-080	0E	C-JUMPER, S	HTNM	AV-D37
X	POWER AMP	JR 0233	88-129-000-080	0E	C-JUMPER, 3216	HCNM	AV-D37
X	POWER AMP	JR 0233	88-129-000-080	0E	C-JUMPER, 3216	HRJNM	AV-D37
X	POWER AMP	JR 0233	88-129-000-080	0E	C-JUMPER, 3216	HTNM	AV-D37
X	POWER AMP	JR 0235	88-118-000-080	0E	C-JUMPER, S	HCNM	AV-D37

# PARTS LIST

! =  $\Delta$  SAFTY PARTS  
 C = Components marked

All components used on this model at the production line are shown in this service manual.

However, please note that not all components will be available as spare parts for after-sales service.

Components marked S and O are designated as spare parts for service and will be stocked at the spare parts centers.

Components marked X and R are not designated as spare parts for after sales service, and will not be stocked at the spare parts centers.

K NO. = Only use japanese.

! C	UNIT NAME	REF NO.	PARTS CODE	K NO.	DESCRIPTION	SUFFIX	MODEL NAME
X	POWER AMP	JR 0235	88-118-000-080	0E	C-JUMPER, S	HRJNM	AV-D37
X	POWER AMP	JR 0235	88-118-000-080	0E	C-JUMPER, S	HTNM	AV-D37
X	POWER AMP	JR 0236	88-118-000-080	0E	C-JUMPER, S	HCNM	AV-D37
X	POWER AMP	JR 0236	88-118-000-080	0E	C-JUMPER, S	HRJNM	AV-D37
X	POWER AMP	JR 0236	88-118-000-080	0E	C-JUMPER, S	HTNM	AV-D37
X	POWER AMP	JR 0237	88-118-000-080	0E	C-JUMPER, S	HCNM	AV-D37
X	POWER AMP	JR 0237	88-118-000-080	0E	C-JUMPER, S	HRJNM	AV-D37
X	POWER AMP	JR 0237	88-118-000-080	0E	C-JUMPER, S	HTNM	AV-D37
X	POWER AMP	JR 0239	88-129-000-080	0E	C-JUMPER, 3216	HCNM	AV-D37
X	POWER AMP	JR 0239	88-129-000-080	0E	C-JUMPER, 3216	HRJNM	AV-D37
X	POWER AMP	JR 0239	88-129-000-080	0E	C-JUMPER, 3216	HTNM	AV-D37
X	POWER AMP	JR 0240	88-118-000-080	0E	C-JUMPER, S	HCNM	AV-D37
X	POWER AMP	JR 0240	88-118-000-080	0E	C-JUMPER, S	HRJNM	AV-D37
X	POWER AMP	JR 0240	88-118-000-080	0E	C-JUMPER, S	HTNM	AV-D37
X	POWER AMP	JR 0242	88-118-000-080	0E	C-JUMPER, S	HCNM	AV-D37
X	POWER AMP	JR 0242	88-118-000-080	0E	C-JUMPER, S	HRJNM	AV-D37
X	POWER AMP	JR 0242	88-118-000-080	0E	C-JUMPER, S	HTNM	AV-D37
X	POWER AMP	JR 0243	88-118-000-080	0E	C-JUMPER, S	HCNM	AV-D37
X	POWER AMP	JR 0243	88-118-000-080	0E	C-JUMPER, S	HRJNM	AV-D37
X	POWER AMP	JR 0243	88-118-000-080	0E	C-JUMPER, S	HTNM	AV-D37
X	POWER AMP	JR 0244	88-129-000-080	0E	C-JUMPER, 3216	HCNM	AV-D37
X	POWER AMP	JR 0244	88-129-000-080	0E	C-JUMPER, 3216	HRJNM	AV-D37
X	POWER AMP	JR 0244	88-129-000-080	0E	C-JUMPER, 3216	HTNM	AV-D37
X	POWER AMP	JR 0245	88-118-000-080	0E	C-JUMPER, S	HCNM	AV-D37
X	POWER AMP	JR 0245	88-118-000-080	0E	C-JUMPER, S	HRJNM	AV-D37
X	POWER AMP	JR 0245	88-118-000-080	0E	C-JUMPER, S	HTNM	AV-D37
X	POWER AMP	JR 0246	88-118-000-080	0E	C-JUMPER, S	HCNM	AV-D37
X	POWER AMP	JR 0246	88-118-000-080	0E	C-JUMPER, S	HRJNM	AV-D37
X	POWER AMP	JR 0246	88-118-000-080	0E	C-JUMPER, S	HTNM	AV-D37
X	POWER AMP	JR 0289	88-118-000-080	0E	C-JUMPER, S	HCNM	AV-D37
X	POWER AMP	JR 0289	88-118-000-080	0E	C-JUMPER, S	HRJNM	AV-D37
X	POWER AMP	JR 0289	88-118-000-080	0E	C-JUMPER, S	HTNM	AV-D37
X	POWER AMP	JR 0299	88-129-000-080	0E	C-JUMPER, 3216	HCNM	AV-D37
X	POWER AMP	JR 0299	88-129-000-080	0E	C-JUMPER, 3216	HRJNM	AV-D37
X	POWER AMP	JR 0299	88-129-000-080	0E	C-JUMPER, 3216	HTNM	AV-D37
X	POWER AMP	JR 0301	88-129-000-080	0E	C-JUMPER, 3216	HCNM	AV-D37
X	POWER AMP	JR 0301	88-129-000-080	0E	C-JUMPER, 3216	HRJNM	AV-D37
X	POWER AMP	JR 0301	88-129-000-080	0E	C-JUMPER, 3216	HTNM	AV-D37
X	POWER AMP	JR 0302	88-129-000-080	0E	C-JUMPER, 3216	HCNM	AV-D37
X	POWER AMP	JR 0302	88-129-000-080	0E	C-JUMPER, 3216	HRJNM	AV-D37
X	POWER AMP	JR 0302	88-129-000-080	0E	C-JUMPER, 3216	HTNM	AV-D37
X	POWER AMP	JR 0304	88-118-000-080	0E	C-JUMPER, S	HCNM	AV-D37
X	POWER AMP	JR 0304	88-118-000-080	0E	C-JUMPER, S	HRJNM	AV-D37
X	POWER AMP	JR 0304	88-118-000-080	0E	C-JUMPER, S	HTNM	AV-D37
X	POWER AMP	JR 0305	88-118-000-080	0E	C-JUMPER, S	HCNM	AV-D37
X	POWER AMP	JR 0305	88-118-000-080	0E	C-JUMPER, S	HRJNM	AV-D37
X	POWER AMP	JR 0305	88-118-000-080	0E	C-JUMPER, S	HTNM	AV-D37
X	POWER AMP	JR 0306	88-118-000-080	0E	C-JUMPER, S	HCNM	AV-D37
X	POWER AMP	JR 0306	88-118-000-080	0E	C-JUMPER, S	HRJNM	AV-D37
X	POWER AMP	JR 0306	88-118-000-080	0E	C-JUMPER, S	HTNM	AV-D37
X	POWER AMP	JR 0307	88-148-000-080	0E	C-JUMPER, 1/2W J	HCNM	AV-D37
X	POWER AMP	JR 0307	88-148-000-080	0E	C-JUMPER, 1/2W J	HRJNM	AV-D37
X	POWER AMP	JR 0307	88-148-000-080	0E	C-JUMPER, 1/2W J	HTNM	AV-D37
X	POWER AMP	JR 0308	88-118-000-080	0E	C-JUMPER, S	HCNM	AV-D37
X	POWER AMP	JR 0308	88-118-000-080	0E	C-JUMPER, S	HRJNM	AV-D37
X	POWER AMP	JR 0308	88-118-000-080	0E	C-JUMPER, S	HTNM	AV-D37
X	POWER AMP	JR 0310	88-118-000-080	0E	C-JUMPER, S	HCNM	AV-D37
X	POWER AMP	JR 0310	88-118-000-080	0E	C-JUMPER, S	HRJNM	AV-D37
X	POWER AMP	JR 0310	88-118-000-080	0E	C-JUMPER, S	HTNM	AV-D37
X	POWER AMP	JR 0311	88-129-000-080	0E	C-JUMPER, 3216	HCNM	AV-D37
X	POWER AMP	JR 0311	88-129-000-080	0E	C-JUMPER, 3216	HRJNM	AV-D37
X	POWER AMP	JR 0311	88-129-000-080	0E	C-JUMPER, 3216	HTNM	AV-D37
X	POWER AMP	JR 0313	88-129-000-080	0E	C-JUMPER, 3216	HCNM	AV-D37
X	POWER AMP	JR 0313	88-129-000-080	0E	C-JUMPER, 3216	HRJNM	AV-D37
X	POWER AMP	JR 0313	88-129-000-080	0E	C-JUMPER, 3216	HTNM	AV-D37
X	POWER AMP	JR 0316	88-129-000-080	0E	C-JUMPER, 3216	HCNM	AV-D37
X	POWER AMP	JR 0316	88-129-000-080	0E	C-JUMPER, 3216	HRJNM	AV-D37
X	POWER AMP	JR 0316	88-129-000-080	0E	C-JUMPER, 3216	HTNM	AV-D37
X	POWER AMP	JR 0317	88-129-000-080	0E	C-JUMPER, 3216	HCNM	AV-D37
X	POWER AMP	JR 0317	88-129-000-080	0E	C-JUMPER, 3216	HRJNM	AV-D37
X	POWER AMP	JR 0317	88-129-000-080	0E	C-JUMPER, 3216	HTNM	AV-D37

# PARTS LIST

! =  $\Delta$  SAFTY PARTS  
 C = Components marked

All components used on this model at the production line are shown in this service manual.

However, please note that not all components will be available as spare parts for after-sales service.

Components marked S and O are designated as spare parts for service and will be stocked at the spare parts centers.

Components marked X and R are not designated as spare parts for after sales service, and will not be stocked at the spare parts centers.

K NO. = Only use japanese.

! C	UNIT NAME	REF NO.	PARTS CODE	K NO.	DESCRIPTION	SUFFIX	MODEL NAME
X	POWER AMP	JR 0317	88-129-000-080	0E	C-JUMPER, 3216	HTNM	AV-D37
X	POWER AMP	JR 0318	88-129-000-080	0E	C-JUMPER, 3216	HCNM	AV-D37
X	POWER AMP	JR 0318	88-129-000-080	0E	C-JUMPER, 3216	HRJNM	AV-D37
X	POWER AMP	JR 0318	88-129-000-080	0E	C-JUMPER, 3216	HTNM	AV-D37
X	POWER AMP	JR 0322	88-118-000-080	0E	C-JUMPER, S	HCNM	AV-D37
X	POWER AMP	JR 0322	88-118-000-080	0E	C-JUMPER, S	HRJNM	AV-D37
X	POWER AMP	JR 0322	88-118-000-080	0E	C-JUMPER, S	HTNM	AV-D37
X	POWER AMP	JR 0323	88-129-000-080	0E	C-JUMPER, 3216	HCNM	AV-D37
X	POWER AMP	JR 0323	88-129-000-080	0E	C-JUMPER, 3216	HRJNM	AV-D37
X	POWER AMP	JR 0323	88-129-000-080	0E	C-JUMPER, 3216	HTNM	AV-D37
X	POWER AMP	JR 0324	88-118-000-080	0E	C-JUMPER, S	HCNM	AV-D37
X	POWER AMP	JR 0324	88-118-000-080	0E	C-JUMPER, S	HRJNM	AV-D37
X	POWER AMP	JR 0324	88-118-000-080	0E	C-JUMPER, S	HTNM	AV-D37
X	POWER AMP	JR 0325	88-118-000-080	0E	C-JUMPER, S	HCNM	AV-D37
X	POWER AMP	JR 0325	88-118-000-080	0E	C-JUMPER, S	HRJNM	AV-D37
X	POWER AMP	JR 0325	88-118-000-080	0E	C-JUMPER, S	HTNM	AV-D37
X	POWER AMP	JR 0326	88-129-000-080	0E	C-JUMPER, 3216	HCNM	AV-D37
X	POWER AMP	JR 0326	88-129-000-080	0E	C-JUMPER, 3216	HRJNM	AV-D37
X	POWER AMP	JR 0326	88-129-000-080	0E	C-JUMPER, 3216	HTNM	AV-D37
X	POWER AMP	JR 0328	88-118-000-080	0E	C-JUMPER, S	HCNM	AV-D37
X	POWER AMP	JR 0328	88-118-000-080	0E	C-JUMPER, S	HRJNM	AV-D37
X	POWER AMP	JR 0328	88-118-000-080	0E	C-JUMPER, S	HTNM	AV-D37
X	POWER AMP	JR 0329	88-118-000-080	0E	C-JUMPER, S	HCNM	AV-D37
X	POWER AMP	JR 0329	88-118-000-080	0E	C-JUMPER, S	HRJNM	AV-D37
X	POWER AMP	JR 0329	88-118-000-080	0E	C-JUMPER, S	HTNM	AV-D37
X	POWER AMP	JR 0330	88-118-000-080	0E	C-JUMPER, S	HCNM	AV-D37
X	POWER AMP	JR 0330	88-118-000-080	0E	C-JUMPER, S	HRJNM	AV-D37
X	POWER AMP	JR 0330	88-118-000-080	0E	C-JUMPER, S	HTNM	AV-D37
X	POWER AMP	JR 0331	88-129-000-080	0E	C-JUMPER, 3216	HCNM	AV-D37
X	POWER AMP	JR 0331	88-129-000-080	0E	C-JUMPER, 3216	HRJNM	AV-D37
X	POWER AMP	JR 0331	88-129-000-080	0E	C-JUMPER, 3216	HTNM	AV-D37
X	POWER AMP	JR 0332	88-129-000-080	0E	C-JUMPER, 3216	HCNM	AV-D37
X	POWER AMP	JR 0332	88-129-000-080	0E	C-JUMPER, 3216	HRJNM	AV-D37
X	POWER AMP	JR 0332	88-129-000-080	0E	C-JUMPER, 3216	HTNM	AV-D37
X	POWER AMP	JR 0333	88-118-000-080	0E	C-JUMPER, S	HCNM	AV-D37
X	POWER AMP	JR 0333	88-118-000-080	0E	C-JUMPER, S	HRJNM	AV-D37
X	POWER AMP	JR 0333	88-118-000-080	0E	C-JUMPER, S	HTNM	AV-D37
X	POWER AMP	JR 0334	88-118-000-080	0E	C-JUMPER, S	HCNM	AV-D37
X	POWER AMP	JR 0334	88-118-000-080	0E	C-JUMPER, S	HRJNM	AV-D37
X	POWER AMP	JR 0334	88-118-000-080	0E	C-JUMPER, S	HTNM	AV-D37
X	POWER AMP	JR 0335	88-118-000-080	0E	C-JUMPER, S	HCNM	AV-D37
X	POWER AMP	JR 0335	88-118-000-080	0E	C-JUMPER, S	HRJNM	AV-D37
X	POWER AMP	JR 0335	88-118-000-080	0E	C-JUMPER, S	HTNM	AV-D37
X	POWER AMP	JR 0338	88-118-000-080	0E	C-JUMPER, S	HCNM	AV-D37
X	POWER AMP	JR 0338	88-118-000-080	0E	C-JUMPER, S	HRJNM	AV-D37
X	POWER AMP	JR 0338	88-118-000-080	0E	C-JUMPER, S	HTNM	AV-D37
X	POWER AMP	JR 0339	88-118-000-080	0E	C-JUMPER, S	HCNM	AV-D37
X	POWER AMP	JR 0339	88-118-000-080	0E	C-JUMPER, S	HRJNM	AV-D37
X	POWER AMP	JR 0339	88-118-000-080	0E	C-JUMPER, S	HTNM	AV-D37
X	POWER AMP	JR 0341	88-129-000-080	0E	C-JUMPER, 3216	HCNM	AV-D37
X	POWER AMP	JR 0341	88-129-000-080	0E	C-JUMPER, 3216	HRJNM	AV-D37
X	POWER AMP	JR 0341	88-129-000-080	0E	C-JUMPER, 3216	HTNM	AV-D37
X	POWER AMP	JR 0359	88-118-000-080	0E	C-JUMPER, S	HCNM	AV-D37
X	POWER AMP	JR 0359	88-118-000-080	0E	C-JUMPER, S	HRJNM	AV-D37
X	POWER AMP	JR 0359	88-118-000-080	0E	C-JUMPER, S	HTNM	AV-D37
X	POWER AMP	JR 0402	88-118-000-080	0E	C-JUMPER, S	HCNM	AV-D37
X	POWER AMP	JR 0402	88-118-000-080	0E	C-JUMPER, S	HRJNM	AV-D37
X	POWER AMP	JR 0402	88-118-000-080	0E	C-JUMPER, S	HTNM	AV-D37
X	POWER AMP	JR 0403	88-118-000-080	0E	C-JUMPER, S	HCNM	AV-D37
X	POWER AMP	JR 0403	88-118-000-080	0E	C-JUMPER, S	HRJNM	AV-D37
X	POWER AMP	JR 0403	88-118-000-080	0E	C-JUMPER, S	HTNM	AV-D37
X	POWER AMP	JR 0404	88-118-000-080	0E	C-JUMPER, S	HCNM	AV-D37
X	POWER AMP	JR 0404	88-118-000-080	0E	C-JUMPER, S	HRJNM	AV-D37
X	POWER AMP	JR 0404	88-118-000-080	0E	C-JUMPER, S	HTNM	AV-D37
X	POWER AMP	JR 0406	88-118-000-080	0E	C-JUMPER, S	HCNM	AV-D37
X	POWER AMP	JR 0406	88-118-000-080	0E	C-JUMPER, S	HRJNM	AV-D37
X	POWER AMP	JR 0406	88-118-000-080	0E	C-JUMPER, S	HTNM	AV-D37
X	POWER AMP	JR 0407	88-118-000-080	0E	C-JUMPER, S	HCNM	AV-D37
X	POWER AMP	JR 0407	88-118-000-080	0E	C-JUMPER, S	HRJNM	AV-D37
X	POWER AMP	JR 0407	88-118-000-080	0E	C-JUMPER, S	HTNM	AV-D37

# PARTS LIST

! =  $\Delta$  SAFTY PARTS  
 C = Components marked

All components used on this model at the production line are shown in this service manual.

However, please note that not all components will be available as spare parts for after-sales service.

Components marked S and O are designated as spare parts for service and will be stocked at the spare parts centers.

Components marked X and R are not designated as spare parts for after sales service, and will not be stocked at the spare parts centers.

K NO. = Only use japanese.

! C	UNIT NAME	REF NO.	PARTS CODE	K NO.	DESCRIPTION	SUFFIX	MODEL NAME
X	POWER AMP	JR 0408	88-129-000-080	0E	C-JUMPER, 3216	HCNM	AV-D37
X	POWER AMP	JR 0408	88-129-000-080	0E	C-JUMPER, 3216	HRJNM	AV-D37
X	POWER AMP	JR 0408	88-129-000-080	0E	C-JUMPER, 3216	HTNM	AV-D37
X	POWER AMP	JR 0410	88-129-000-080	0E	C-JUMPER, 3216	HCNM	AV-D37
X	POWER AMP	JR 0410	88-129-000-080	0E	C-JUMPER, 3216	HRJNM	AV-D37
X	POWER AMP	JR 0410	88-129-000-080	0E	C-JUMPER, 3216	HTNM	AV-D37
X	POWER AMP	JR 0411	88-129-000-080	0E	C-JUMPER, 3216	HCNM	AV-D37
X	POWER AMP	JR 0411	88-129-000-080	0E	C-JUMPER, 3216	HRJNM	AV-D37
X	POWER AMP	JR 0411	88-129-000-080	0E	C-JUMPER, 3216	HTNM	AV-D37
X	POWER AMP	JR 0412	88-129-000-080	0E	C-JUMPER, 3216	HCNM	AV-D37
X	POWER AMP	JR 0412	88-129-000-080	0E	C-JUMPER, 3216	HRJNM	AV-D37
X	POWER AMP	JR 0412	88-129-000-080	0E	C-JUMPER, 3216	HTNM	AV-D37
X	POWER AMP	JR 0414	88-129-000-080	0E	C-JUMPER, 3216	HCNM	AV-D37
X	POWER AMP	JR 0414	88-129-000-080	0E	C-JUMPER, 3216	HRJNM	AV-D37
X	POWER AMP	JR 0414	88-129-000-080	0E	C-JUMPER, 3216	HTNM	AV-D37
X	POWER AMP	JR 0415	88-129-000-080	0E	C-JUMPER, 3216	HCNM	AV-D37
X	POWER AMP	JR 0415	88-129-000-080	0E	C-JUMPER, 3216	HRJNM	AV-D37
X	POWER AMP	JR 0415	88-129-000-080	0E	C-JUMPER, 3216	HTNM	AV-D37
X	POWER AMP	JR 0417	88-118-000-080	0E	C-JUMPER, S	HCNM	AV-D37
X	POWER AMP	JR 0417	88-118-000-080	0E	C-JUMPER, S	HRJNM	AV-D37
X	POWER AMP	JR 0417	88-118-000-080	0E	C-JUMPER, S	HTNM	AV-D37
X	POWER AMP	JR 0417	88-118-000-080	0E	C-JUMPER, S	HTNM	AV-D37
X	POWER AMP	JR 0420	88-118-000-080	0E	C-JUMPER, S	HCNM	AV-D37
X	POWER AMP	JR 0420	88-118-000-080	0E	C-JUMPER, S	HRJNM	AV-D37
X	POWER AMP	JR 0420	88-118-000-080	0E	C-JUMPER, S	HTNM	AV-D37
X	POWER AMP	JR 0421	88-129-000-080	0E	C-JUMPER, 3216	HCNM	AV-D37
X	POWER AMP	JR 0421	88-129-000-080	0E	C-JUMPER, 3216	HRJNM	AV-D37
X	POWER AMP	JR 0421	88-129-000-080	0E	C-JUMPER, 3216	HTNM	AV-D37
X	POWER AMP	JR 0422	88-118-000-080	0E	C-JUMPER, S	HCNM	AV-D37
X	POWER AMP	JR 0422	88-118-000-080	0E	C-JUMPER, S	HRJNM	AV-D37
X	POWER AMP	JR 0422	88-118-000-080	0E	C-JUMPER, S	HTNM	AV-D37
X	POWER AMP	JR 0423	88-129-000-080	0E	C-JUMPER, 3216	HCNM	AV-D37
X	POWER AMP	JR 0423	88-129-000-080	0E	C-JUMPER, 3216	HRJNM	AV-D37
X	POWER AMP	JR 0423	88-129-000-080	0E	C-JUMPER, 3216	HTNM	AV-D37
X	POWER AMP	JR 0424	88-118-000-080	0E	C-JUMPER, S	HCNM	AV-D37
X	POWER AMP	JR 0424	88-118-000-080	0E	C-JUMPER, S	HRJNM	AV-D37
X	POWER AMP	JR 0424	88-118-000-080	0E	C-JUMPER, S	HTNM	AV-D37
X	POWER AMP	JR 0425	88-118-000-080	0E	C-JUMPER, S	HCNM	AV-D37
X	POWER AMP	JR 0425	88-118-000-080	0E	C-JUMPER, S	HRJNM	AV-D37
X	POWER AMP	JR 0425	88-118-000-080	0E	C-JUMPER, S	HTNM	AV-D37
X	POWER AMP	JR 0426	88-118-000-080	0E	C-JUMPER, S	HCNM	AV-D37
X	POWER AMP	JR 0426	88-118-000-080	0E	C-JUMPER, S	HRJNM	AV-D37
X	POWER AMP	JR 0426	88-118-000-080	0E	C-JUMPER, S	HTNM	AV-D37
X	POWER AMP	JR 0427	88-118-000-080	0E	C-JUMPER, S	HCNM	AV-D37
X	POWER AMP	JR 0427	88-118-000-080	0E	C-JUMPER, S	HRJNM	AV-D37
X	POWER AMP	JR 0427	88-118-000-080	0E	C-JUMPER, S	HTNM	AV-D37
X	POWER AMP	JR 0430	88-118-000-080	0E	C-JUMPER, S	HCNM	AV-D37
X	POWER AMP	JR 0430	88-118-000-080	0E	C-JUMPER, S	HRJNM	AV-D37
X	POWER AMP	JR 0430	88-118-000-080	0E	C-JUMPER, S	HTNM	AV-D37
X	POWER AMP	JR 0432	88-118-000-080	0E	C-JUMPER, S	HCNM	AV-D37
X	POWER AMP	JR 0432	88-118-000-080	0E	C-JUMPER, S	HRJNM	AV-D37
X	POWER AMP	JR 0432	88-118-000-080	0E	C-JUMPER, S	HTNM	AV-D37
X	POWER AMP	JR 0433	88-118-000-080	0E	C-JUMPER, S	HCNM	AV-D37
X	POWER AMP	JR 0433	88-118-000-080	0E	C-JUMPER, S	HRJNM	AV-D37
X	POWER AMP	JR 0433	88-118-000-080	0E	C-JUMPER, S	HTNM	AV-D37
X	POWER AMP	JR 0433	88-118-000-080	0E	C-JUMPER, S	HTNM	AV-D37
X	POWER AMP	JR 0435	88-129-000-080	0E	C-JUMPER, 3216	HCNM	AV-D37
X	POWER AMP	JR 0435	88-129-000-080	0E	C-JUMPER, 3216	HRJNM	AV-D37
X	POWER AMP	JR 0435	88-129-000-080	0E	C-JUMPER, 3216	HTNM	AV-D37
X	POWER AMP	JR 0436	88-129-000-080	0E	C-JUMPER, 3216	HCNM	AV-D37
X	POWER AMP	JR 0436	88-129-000-080	0E	C-JUMPER, 3216	HRJNM	AV-D37
X	POWER AMP	JR 0436	88-129-000-080	0E	C-JUMPER, 3216	HTNM	AV-D37
X	POWER AMP	JR 0441	88-118-000-080	0E	C-JUMPER, S	HCNM	AV-D37
X	POWER AMP	JR 0441	88-118-000-080	0E	C-JUMPER, S	HRJNM	AV-D37
X	POWER AMP	JR 0441	88-118-000-080	0E	C-JUMPER, S	HTNM	AV-D37
X	POWER AMP	JR 0452	88-129-000-080	0E	C-JUMPER, 3216	HCNM	AV-D37
X	POWER AMP	JR 0452	88-129-000-080	0E	C-JUMPER, 3216	HRJNM	AV-D37
X	POWER AMP	JR 0452	88-129-000-080	0E	C-JUMPER, 3216	HTNM	AV-D37
X	POWER AMP	JR 0454	88-129-000-080	0E	C-JUMPER, 3216	HCNM	AV-D37
X	POWER AMP	JR 0454	88-129-000-080	0E	C-JUMPER, 3216	HRJNM	AV-D37
X	POWER AMP	JR 0454	88-129-000-080	0E	C-JUMPER, 3216	HTNM	AV-D37
X	POWER AMP	JR 0481	88-118-000-080	0E	C-JUMPER, S	HCNM	AV-D37

# PARTS LIST

! =  $\Delta$  SAFTY PARTS  
 C = Components marked

All components used on this model at the production line are shown in this service manual.

However, please note that not all components will be available as spare parts for after-sales service.

Components marked S and O are designated as spare parts for service and will be stocked at the spare parts centers.

Components marked X and R are not designated as spare parts for after sales service, and will not be stocked at the spare parts centers.

K NO. = Only use japanese.

! C	UNIT NAME	REF NO.	PARTS CODE	K NO.	DESCRIPTION	SUFFIX	MODEL NAME
X	POWER AMP	JR 0481	88-118-000-080	0E	C-JUMPER, S	HRJNM	AV-D37
X	POWER AMP	JR 0481	88-118-000-080	0E	C-JUMPER, S	HTNM	AV-D37
X	POWER AMP	JR 0483	88-129-000-080	0E	C-JUMPER, 3216	HCNM	AV-D37
X	POWER AMP	JR 0483	88-129-000-080	0E	C-JUMPER, 3216	HRJNM	AV-D37
X	POWER AMP	JR 0483	88-129-000-080	0E	C-JUMPER, 3216	HTNM	AV-D37
X	POWER AMP	JR 0484	88-118-000-080	0E	C-JUMPER, S	HCNM	AV-D37
X	POWER AMP	JR 0484	88-118-000-080	0E	C-JUMPER, S	HRJNM	AV-D37
X	POWER AMP	JR 0484	88-118-000-080	0E	C-JUMPER, S	HTNM	AV-D37
X	POWER AMP	JR 0487	88-118-000-080	0E	C-JUMPER, S	HCNM	AV-D37
X	POWER AMP	JR 0487	88-118-000-080	0E	C-JUMPER, S	HRJNM	AV-D37
X	POWER AMP	JR 0487	88-118-000-080	0E	C-JUMPER, S	HTNM	AV-D37
X	POWER AMP	JR 0488	88-118-000-080	0E	C-JUMPER, S	HCNM	AV-D37
X	POWER AMP	JR 0488	88-118-000-080	0E	C-JUMPER, S	HRJNM	AV-D37
X	POWER AMP	JR 0488	88-118-000-080	0E	C-JUMPER, S	HTNM	AV-D37
X	POWER AMP	JR 0491	88-118-000-080	0E	C-JUMPER, S	HCNM	AV-D37
X	POWER AMP	JR 0491	88-118-000-080	0E	C-JUMPER, S	HRJNM	AV-D37
X	POWER AMP	JR 0491	88-118-000-080	0E	C-JUMPER, S	HTNM	AV-D37
X	POWER AMP	JR 0493	88-118-000-080	0E	C-JUMPER, S	HCNM	AV-D37
X	POWER AMP	JR 0493	88-118-000-080	0E	C-JUMPER, S	HRJNM	AV-D37
X	POWER AMP	JR 0493	88-118-000-080	0E	C-JUMPER, S	HTNM	AV-D37
X	POWER AMP	JR 0570	88-118-000-080	0E	C-JUMPER, S	HCNM	AV-D37
X	POWER AMP	JR 0570	88-118-000-080	0E	C-JUMPER, S	HRJNM	AV-D37
X	POWER AMP	JR 0570	88-118-000-080	0E	C-JUMPER, S	HTNM	AV-D37
X	POWER AMP	JR 0571	88-129-000-080	0E	C-JUMPER, 3216	HCNM	AV-D37
X	POWER AMP	JR 0571	88-129-000-080	0E	C-JUMPER, 3216	HRJNM	AV-D37
X	POWER AMP	JR 0571	88-129-000-080	0E	C-JUMPER, 3216	HTNM	AV-D37
X	POWER AMP	JR 0572	88-118-000-080	0E	C-JUMPER, S	HCNM	AV-D37
X	POWER AMP	JR 0572	88-118-000-080	0E	C-JUMPER, S	HRJNM	AV-D37
X	POWER AMP	JR 0572	88-118-000-080	0E	C-JUMPER, S	HTNM	AV-D37
X	POWER AMP	JR 0573	88-118-000-080	0E	C-JUMPER, S	HCNM	AV-D37
X	POWER AMP	JR 0573	88-118-000-080	0E	C-JUMPER, S	HRJNM	AV-D37
X	POWER AMP	JR 0573	88-118-000-080	0E	C-JUMPER, S	HTNM	AV-D37
X	POWER AMP	JR 0641	88-118-000-080	0E	C-JUMPER, S	HCNM	AV-D37
X	POWER AMP	JR 0641	88-118-000-080	0E	C-JUMPER, S	HRJNM	AV-D37
X	POWER AMP	JR 0641	88-118-000-080	0E	C-JUMPER, S	HTNM	AV-D37
X	POWER AMP	JR 0730	88-129-000-080	0E	C-JUMPER, 3216	HCNM	AV-D37
X	POWER AMP	JR 0730	88-129-000-080	0E	C-JUMPER, 3216	HRJNM	AV-D37
X	POWER AMP	JR 0730	88-129-000-080	0E	C-JUMPER, 3216	HTNM	AV-D37
X	POWER AMP	JR 0758	88-129-000-080	0E	C-JUMPER, 3216	HCNM	AV-D37
X	POWER AMP	JR 0758	88-129-000-080	0E	C-JUMPER, 3216	HRJNM	AV-D37
X	POWER AMP	JR 0758	88-129-000-080	0E	C-JUMPER, 3216	HTNM	AV-D37
X	POWER AMP	JR 0759	88-118-000-080	0E	C-JUMPER, S	HCNM	AV-D37
X	POWER AMP	JR 0759	88-118-000-080	0E	C-JUMPER, S	HRJNM	AV-D37
X	POWER AMP	JR 0759	88-118-000-080	0E	C-JUMPER, S	HTNM	AV-D37
X	POWER AMP	JR 0760	88-118-000-080	0E	C-JUMPER, S	HCNM	AV-D37
X	POWER AMP	JR 0760	88-118-000-080	0E	C-JUMPER, S	HRJNM	AV-D37
X	POWER AMP	JR 0760	88-118-000-080	0E	C-JUMPER, S	HTNM	AV-D37
O	POWER AMP	L 0291	87-A50-610-010	0E	COIL, 1UH K(MDEC)	HCNM	AV-D37
O	POWER AMP	L 0291	87-A50-610-010	0E	COIL, 1UH K(MDEC)	HRJNM	AV-D37
O	POWER AMP	L 0291	87-A50-610-010	0E	COIL, 1UH K(MDEC)	HTNM	AV-D37
O	POWER AMP	L 0292	87-A50-610-010	0E	COIL, 1UH K(MDEC)	HCNM	AV-D37
O	POWER AMP	L 0292	87-A50-610-010	0E	COIL, 1UH K(MDEC)	HRJNM	AV-D37
O	POWER AMP	L 0292	87-A50-610-010	0E	COIL, 1UH K(MDEC)	HTNM	AV-D37
O	POWER AMP	L 0293	87-A50-610-010	0E	COIL, 1UH K(MDEC)	HCNM	AV-D37
O	POWER AMP	L 0293	87-A50-610-010	0E	COIL, 1UH K(MDEC)	HRJNM	AV-D37
O	POWER AMP	L 0293	87-A50-610-010	0E	COIL, 1UH K(MDEC)	HTNM	AV-D37
O	POWER AMP	L 0294	87-A50-610-010	0E	COIL, 1UH K(MDEC)	HCNM	AV-D37
O	POWER AMP	L 0294	87-A50-610-010	0E	COIL, 1UH K(MDEC)	HRJNM	AV-D37
O	POWER AMP	L 0294	87-A50-610-010	0E	COIL, 1UH K(MDEC)	HTNM	AV-D37
O	POWER AMP	L 0391	87-A50-610-010	0E	COIL, 1UH K(MDEC)	HCNM	AV-D37
O	POWER AMP	L 0391	87-A50-610-010	0E	COIL, 1UH K(MDEC)	HRJNM	AV-D37
O	POWER AMP	L 0391	87-A50-610-010	0E	COIL, 1UH K(MDEC)	HTNM	AV-D37
O	POWER AMP	L 0392	87-A50-610-010	0E	COIL, 1UH K(MDEC)	HCNM	AV-D37
O	POWER AMP	L 0392	87-A50-610-010	0E	COIL, 1UH K(MDEC)	HRJNM	AV-D37
O	POWER AMP	L 0392	87-A50-610-010	0E	COIL, 1UH K(MDEC)	HTNM	AV-D37
O	POWER AMP	L 0491	87-A50-610-010	0E	COIL, 1UH K(MDEC)	HCNM	AV-D37
O	POWER AMP	L 0491	87-A50-610-010	0E	COIL, 1UH K(MDEC)	HRJNM	AV-D37
O	POWER AMP	L 0491	87-A50-610-010	0E	COIL, 1UH K(MDEC)	HTNM	AV-D37
O	POWER AMP	P 0002	86-NFZ-222-010	0E	PIN, DIA1-5.6	HCNM	AV-D37
O	POWER AMP	P 0002	86-NFZ-222-010	0E	PIN, DIA1-5.6	HRJNM	AV-D37



# PARTS LIST

! =  $\Delta$  SAFTY PARTS  
 C = Components marked

All components used on this model at the production line are shown in this service manual.

However, please note that not all components will be available as spare parts for after-sales service.

Components marked S and O are designated as spare parts for service and will be stocked at the spare parts centers.

Components marked X and R are not designated as spare parts for after sales service, and will not be stocked at the spare parts centers.

K NO. = Only use japanese.

! C	UNIT NAME	REF NO.	PARTS CODE	K NO.	DESCRIPTION	SUFFIX	MODEL NAME
O	POWER AMP	P 0002	86-NFZ-222-010	0E	PIN,DIAL-5.6	HTNM	AV-D37
S	POWER AMP	PR 0201	87-026-682-080	0E	PROTECTOR,10A 491SERIES 60V	HCNM	AV-D37
S	POWER AMP	PR 0201	87-026-682-080	0E	PROTECTOR,10A 491SERIES 60V	HRJNM	AV-D37
S	POWER AMP	PR 0201	87-026-682-080	0E	PROTECTOR,10A 491SERIES 60V	HTNM	AV-D37
S	POWER AMP	PR 0202	87-026-682-080	0E	PROTECTOR,10A 491SERIES 60V	HCNM	AV-D37
S	POWER AMP	PR 0202	87-026-682-080	0E	PROTECTOR,10A 491SERIES 60V	HRJNM	AV-D37
S	POWER AMP	PR 0202	87-026-682-080	0E	PROTECTOR,10A 491SERIES 60V	HTNM	AV-D37
S	POWER AMP	PR 0301	87-026-682-080	0E	PROTECTOR,10A 491SERIES 60V	HCNM	AV-D37
S	POWER AMP	PR 0301	87-026-682-080	0E	PROTECTOR,10A 491SERIES 60V	HRJNM	AV-D37
S	POWER AMP	PR 0301	87-026-682-080	0E	PROTECTOR,10A 491SERIES 60V	HTNM	AV-D37
S	POWER AMP	PR 0302	87-026-682-080	0E	PROTECTOR,10A 491SERIES 60V	HCNM	AV-D37
S	POWER AMP	PR 0302	87-026-682-080	0E	PROTECTOR,10A 491SERIES 60V	HRJNM	AV-D37
S	POWER AMP	PR 0302	87-026-682-080	0E	PROTECTOR,10A 491SERIES 60V	HTNM	AV-D37
S	POWER AMP	PR 0401	87-026-682-080	0E	PROTECTOR,10A 491SERIES 60V	HCNM	AV-D37
S	POWER AMP	PR 0401	87-026-682-080	0E	PROTECTOR,10A 491SERIES 60V	HRJNM	AV-D37
S	POWER AMP	PR 0401	87-026-682-080	0E	PROTECTOR,10A 491SERIES 60V	HTNM	AV-D37
S	POWER AMP	PR 0402	87-026-682-080	0E	PROTECTOR,10A 491SERIES 60V	HCNM	AV-D37
S	POWER AMP	PR 0402	87-026-682-080	0E	PROTECTOR,10A 491SERIES 60V	HRJNM	AV-D37
S	POWER AMP	PR 0402	87-026-682-080	0E	PROTECTOR,10A 491SERIES 60V	HTNM	AV-D37
S	POWER AMP	Q 0201	87-A30-257-080	0E	C-TR,2SD1306E	HCNM	AV-D37
S	POWER AMP	Q 0201	87-A30-257-080	0E	C-TR,2SD1306E	HRJNM	AV-D37
S	POWER AMP	Q 0201	87-A30-257-080	0E	C-TR,2SD1306E	HTNM	AV-D37
S	POWER AMP	Q 0202	87-A30-257-080	0E	C-TR,2SD1306E	HCNM	AV-D37
S	POWER AMP	Q 0202	87-A30-257-080	0E	C-TR,2SD1306E	HRJNM	AV-D37
S	POWER AMP	Q 0202	87-A30-257-080	0E	C-TR,2SD1306E	HTNM	AV-D37
S	POWER AMP	Q 0203	87-A30-107-070	0E	C-TR,CMBT5401	HCNM	AV-D37
S	POWER AMP	Q 0203	87-A30-107-070	0E	C-TR,CMBT5401	HRJNM	AV-D37
S	POWER AMP	Q 0203	87-A30-107-070	0E	C-TR,CMBT5401	HTNM	AV-D37
S	POWER AMP	Q 0204	87-A30-107-070	0E	C-TR,CMBT5401	HCNM	AV-D37
S	POWER AMP	Q 0204	87-A30-107-070	0E	C-TR,CMBT5401	HRJNM	AV-D37
S	POWER AMP	Q 0204	87-A30-107-070	0E	C-TR,CMBT5401	HTNM	AV-D37
S	POWER AMP	Q 0205	87-A30-107-070	0E	C-TR,CMBT5401	HCNM	AV-D37
S	POWER AMP	Q 0205	87-A30-107-070	0E	C-TR,CMBT5401	HRJNM	AV-D37
S	POWER AMP	Q 0205	87-A30-107-070	0E	C-TR,CMBT5401	HTNM	AV-D37
S	POWER AMP	Q 0206	87-A30-107-070	0E	C-TR,CMBT5401	HCNM	AV-D37
S	POWER AMP	Q 0206	87-A30-107-070	0E	C-TR,CMBT5401	HRJNM	AV-D37
S	POWER AMP	Q 0206	87-A30-107-070	0E	C-TR,CMBT5401	HTNM	AV-D37
S	POWER AMP	Q 0207	87-A30-076-080	0E	C-TR,2SC3052F	HCNM	AV-D37
S	POWER AMP	Q 0207	87-A30-076-080	0E	C-TR,2SC3052F	HRJNM	AV-D37
S	POWER AMP	Q 0207	87-A30-076-080	0E	C-TR,2SC3052F	HTNM	AV-D37
S	POWER AMP	Q 0208	87-A30-076-080	0E	C-TR,2SC3052F	HCNM	AV-D37
S	POWER AMP	Q 0208	87-A30-076-080	0E	C-TR,2SC3052F	HRJNM	AV-D37
S	POWER AMP	Q 0208	87-A30-076-080	0E	C-TR,2SC3052F	HTNM	AV-D37
S	POWER AMP	Q 0209	87-A30-076-080	0E	C-TR,2SC3052F	HCNM	AV-D37
S	POWER AMP	Q 0209	87-A30-076-080	0E	C-TR,2SC3052F	HRJNM	AV-D37
S	POWER AMP	Q 0209	87-A30-076-080	0E	C-TR,2SC3052F	HTNM	AV-D37
S	POWER AMP	Q 0210	87-A30-076-080	0E	C-TR,2SC3052F	HCNM	AV-D37
S	POWER AMP	Q 0210	87-A30-076-080	0E	C-TR,2SC3052F	HRJNM	AV-D37
S	POWER AMP	Q 0210	87-A30-076-080	0E	C-TR,2SC3052F	HTNM	AV-D37
S	POWER AMP	Q 0211	87-A30-190-080	0E	TR,CC5551	HCNM	AV-D37
S	POWER AMP	Q 0211	87-A30-190-080	0E	TR,CC5551	HRJNM	AV-D37
S	POWER AMP	Q 0211	87-A30-190-080	0E	TR,CC5551	HTNM	AV-D37
S	POWER AMP	Q 0212	87-A30-190-080	0E	TR,CC5551	HCNM	AV-D37
S	POWER AMP	Q 0212	87-A30-190-080	0E	TR,CC5551	HRJNM	AV-D37
S	POWER AMP	Q 0212	87-A30-190-080	0E	TR,CC5551	HTNM	AV-D37
S	POWER AMP	Q 0217	87-A30-106-070	0E	C-TR,CMBT5551	HCNM	AV-D37
S	POWER AMP	Q 0217	87-A30-106-070	0E	C-TR,CMBT5551	HRJNM	AV-D37
S	POWER AMP	Q 0217	87-A30-106-070	0E	C-TR,CMBT5551	HTNM	AV-D37
S	POWER AMP	Q 0218	87-A30-106-070	0E	C-TR,CMBT5551	HCNM	AV-D37
S	POWER AMP	Q 0218	87-A30-106-070	0E	C-TR,CMBT5551	HRJNM	AV-D37
S	POWER AMP	Q 0218	87-A30-106-070	0E	C-TR,CMBT5551	HTNM	AV-D37
S	POWER AMP	Q 0219	87-A30-186-010	1B	FET,2SK3053	HCNM	AV-D37
S	POWER AMP	Q 0219	87-A30-186-010	1B	FET,2SK3053	HRJNM	AV-D37
S	POWER AMP	Q 0219	87-A30-186-010	1B	FET,2SK3053	HTNM	AV-D37
S	POWER AMP	Q 0220	87-A30-186-010	1B	FET,2SK3053	HCNM	AV-D37
S	POWER AMP	Q 0220	87-A30-186-010	1B	FET,2SK3053	HRJNM	AV-D37
S	POWER AMP	Q 0220	87-A30-186-010	1B	FET,2SK3053	HTNM	AV-D37
S	POWER AMP	Q 0221	87-A30-072-080	0E	C-TR,RT1P 144C	HCNM	AV-D37
S	POWER AMP	Q 0221	87-A30-072-080	0E	C-TR,RT1P 144C	HRJNM	AV-D37
S	POWER AMP	Q 0221	87-A30-072-080	0E	C-TR,RT1P 144C	HTNM	AV-D37

# PARTS LIST

! =  $\Delta$  SAFTY PARTS  
 C = Components marked

All components used on this model at the production line are shown in this service manual.

However, please note that not all components will be available as spare parts for after-sales service.

Components marked S and O are designated as spare parts for service and will be stocked at the spare parts centers.

Components marked X and R are not designated as spare parts for after sales service, and will not be stocked at the spare parts centers.

K NO. = Only use japanese.

! C	UNIT NAME	REF NO.	PARTS CODE	K NO.	DESCRIPTION	SUFFIX	MODEL NAME
S	POWER AMP	Q 0222	87-A30-076-080	0E	C-TR,2SC3052F	HCNM	AV-D37
S	POWER AMP	Q 0222	87-A30-076-080	0E	C-TR,2SC3052F	HRJNM	AV-D37
S	POWER AMP	Q 0222	87-A30-076-080	0E	C-TR,2SC3052F	HTNM	AV-D37
S	POWER AMP	Q 0223	87-A30-074-080	0E	C-TR,RT1P 141C	HCNM	AV-D37
S	POWER AMP	Q 0223	87-A30-074-080	0E	C-TR,RT1P 141C	HRJNM	AV-D37
S	POWER AMP	Q 0223	87-A30-074-080	0E	C-TR,RT1P 141C	HTNM	AV-D37
S	POWER AMP	Q 0224	87-A30-107-070	0E	C-TR,CMBT5401	HCNM	AV-D37
S	POWER AMP	Q 0224	87-A30-107-070	0E	C-TR,CMBT5401	HRJNM	AV-D37
S	POWER AMP	Q 0224	87-A30-107-070	0E	C-TR,CMBT5401	HTNM	AV-D37
S	POWER AMP	Q 0225	87-A30-075-080	0E	C-TR,2SA1235F	HCNM	AV-D37
S	POWER AMP	Q 0225	87-A30-075-080	0E	C-TR,2SA1235F	HRJNM	AV-D37
S	POWER AMP	Q 0225	87-A30-075-080	0E	C-TR,2SA1235F	HTNM	AV-D37
S	POWER AMP	Q 0226	87-026-236-080	0E	C-TR,DTC124EK	HCNM	AV-D37
S	POWER AMP	Q 0226	87-026-236-080	0E	C-TR,DTC124EK	HRJNM	AV-D37
S	POWER AMP	Q 0226	87-026-236-080	0E	C-TR,DTC124EK	HTNM	AV-D37
S	POWER AMP	Q 0227	87-A30-075-080	0E	C-TR,2SA1235F	HCNM	AV-D37
S	POWER AMP	Q 0227	87-A30-075-080	0E	C-TR,2SA1235F	HRJNM	AV-D37
S	POWER AMP	Q 0227	87-A30-075-080	0E	C-TR,2SA1235F	HTNM	AV-D37
S	POWER AMP	Q 0228	87-026-232-080	0E	C-TR,DTA144WK	HCNM	AV-D37
S	POWER AMP	Q 0228	87-026-232-080	0E	C-TR,DTA144WK	HRJNM	AV-D37
S	POWER AMP	Q 0228	87-026-232-080	0E	C-TR,DTA144WK	HTNM	AV-D37
S	POWER AMP	Q 0230	87-A30-076-080	0E	C-TR,2SC3052F	HRJNM	AV-D37
S	POWER AMP	Q 0230	87-A30-076-080	0E	C-TR,2SC3052F	HTNM	AV-D37
S	POWER AMP	Q 0231	87-A30-076-080	0E	C-TR,2SC3052F	HCNM	AV-D37
S	POWER AMP	Q 0231	87-A30-076-080	0E	C-TR,2SC3052F	HRJNM	AV-D37
S	POWER AMP	Q 0231	87-A30-076-080	0E	C-TR,2SC3052F	HTNM	AV-D37
S	POWER AMP	Q 0232	87-A30-076-080	0E	C-TR,2SC3052F	HCNM	AV-D37
S	POWER AMP	Q 0232	87-A30-076-080	0E	C-TR,2SC3052F	HRJNM	AV-D37
S	POWER AMP	Q 0232	87-A30-076-080	0E	C-TR,2SC3052F	HTNM	AV-D37
S	POWER AMP	Q 0233	87-A30-076-080	0E	C-TR,2SC3052F	HCNM	AV-D37
S	POWER AMP	Q 0233	87-A30-076-080	0E	C-TR,2SC3052F	HRJNM	AV-D37
S	POWER AMP	Q 0233	87-A30-076-080	0E	C-TR,2SC3052F	HTNM	AV-D37
S	POWER AMP	Q 0240	87-A30-107-070	0E	C-TR,CMBT5401	HCNM	AV-D37
S	POWER AMP	Q 0240	87-A30-107-070	0E	C-TR,CMBT5401	HRJNM	AV-D37
S	POWER AMP	Q 0240	87-A30-107-070	0E	C-TR,CMBT5401	HTNM	AV-D37
S	POWER AMP	Q 0301	87-A30-257-080	0E	C-TR,2SD1306E	HCNM	AV-D37
S	POWER AMP	Q 0301	87-A30-257-080	0E	C-TR,2SD1306E	HRJNM	AV-D37
S	POWER AMP	Q 0301	87-A30-257-080	0E	C-TR,2SD1306E	HTNM	AV-D37
S	POWER AMP	Q 0302	87-A30-257-080	0E	C-TR,2SD1306E	HCNM	AV-D37
S	POWER AMP	Q 0302	87-A30-257-080	0E	C-TR,2SD1306E	HRJNM	AV-D37
S	POWER AMP	Q 0302	87-A30-257-080	0E	C-TR,2SD1306E	HTNM	AV-D37
S	POWER AMP	Q 0303	87-A30-107-070	0E	C-TR,CMBT5401	HCNM	AV-D37
S	POWER AMP	Q 0303	87-A30-107-070	0E	C-TR,CMBT5401	HRJNM	AV-D37
S	POWER AMP	Q 0303	87-A30-107-070	0E	C-TR,CMBT5401	HTNM	AV-D37
S	POWER AMP	Q 0304	87-A30-107-070	0E	C-TR,CMBT5401	HCNM	AV-D37
S	POWER AMP	Q 0304	87-A30-107-070	0E	C-TR,CMBT5401	HRJNM	AV-D37
S	POWER AMP	Q 0304	87-A30-107-070	0E	C-TR,CMBT5401	HTNM	AV-D37
S	POWER AMP	Q 0305	87-A30-107-070	0E	C-TR,CMBT5401	HCNM	AV-D37
S	POWER AMP	Q 0305	87-A30-107-070	0E	C-TR,CMBT5401	HRJNM	AV-D37
S	POWER AMP	Q 0305	87-A30-107-070	0E	C-TR,CMBT5401	HTNM	AV-D37
S	POWER AMP	Q 0306	87-A30-107-070	0E	C-TR,CMBT5401	HCNM	AV-D37
S	POWER AMP	Q 0306	87-A30-107-070	0E	C-TR,CMBT5401	HRJNM	AV-D37
S	POWER AMP	Q 0306	87-A30-107-070	0E	C-TR,CMBT5401	HTNM	AV-D37
S	POWER AMP	Q 0307	87-A30-076-080	0E	C-TR,2SC3052F	HCNM	AV-D37
S	POWER AMP	Q 0307	87-A30-076-080	0E	C-TR,2SC3052F	HRJNM	AV-D37
S	POWER AMP	Q 0307	87-A30-076-080	0E	C-TR,2SC3052F	HTNM	AV-D37
S	POWER AMP	Q 0308	87-A30-076-080	0E	C-TR,2SC3052F	HCNM	AV-D37
S	POWER AMP	Q 0308	87-A30-076-080	0E	C-TR,2SC3052F	HRJNM	AV-D37
S	POWER AMP	Q 0308	87-A30-076-080	0E	C-TR,2SC3052F	HTNM	AV-D37
S	POWER AMP	Q 0309	87-A30-076-080	0E	C-TR,2SC3052F	HCNM	AV-D37
S	POWER AMP	Q 0309	87-A30-076-080	0E	C-TR,2SC3052F	HRJNM	AV-D37
S	POWER AMP	Q 0309	87-A30-076-080	0E	C-TR,2SC3052F	HTNM	AV-D37
S	POWER AMP	Q 0310	87-A30-076-080	0E	C-TR,2SC3052F	HCNM	AV-D37
S	POWER AMP	Q 0310	87-A30-076-080	0E	C-TR,2SC3052F	HRJNM	AV-D37
S	POWER AMP	Q 0310	87-A30-076-080	0E	C-TR,2SC3052F	HTNM	AV-D37
S	POWER AMP	Q 0311	87-A30-190-080	0E	TR,CC5551	HCNM	AV-D37
S	POWER AMP	Q 0311	87-A30-190-080	0E	TR,CC5551	HRJNM	AV-D37
S	POWER AMP	Q 0311	87-A30-190-080	0E	TR,CC5551	HTNM	AV-D37
S	POWER AMP	Q 0312	87-A30-190-080	0E	TR,CC5551	HCNM	AV-D37

# PARTS LIST

! =  $\Delta$  SAFTY PARTS  
 C = Components marked

All components used on this model at the production line are shown in this service manual.

However, please note that not all components will be available as spare parts for after-sales service.

Components marked S and O are designated as spare parts for service and will be stocked at the spare parts centers.

Components marked X and R are not designated as spare parts for after sales service, and will not be stocked at the spare parts centers.

K NO. = Only use japanese.

! C	UNIT NAME	REF NO.	PARTS CODE	K NO.	DESCRIPTION	SUFFIX	MODEL NAME
S	POWER AMP	Q 0312	87-A30-190-080	0E	TR,CC5551	HRJNM	AV-D37
S	POWER AMP	Q 0312	87-A30-190-080	0E	TR,CC5551	HTNM	AV-D37
S	POWER AMP	Q 0317	87-A30-106-070	0E	C-TR,CMBT5551	HCNM	AV-D37
S	POWER AMP	Q 0317	87-A30-106-070	0E	C-TR,CMBT5551	HRJNM	AV-D37
S	POWER AMP	Q 0317	87-A30-106-070	0E	C-TR,CMBT5551	HTNM	AV-D37
S	POWER AMP	Q 0318	87-A30-106-070	0E	C-TR,CMBT5551	HCNM	AV-D37
S	POWER AMP	Q 0318	87-A30-106-070	0E	C-TR,CMBT5551	HRJNM	AV-D37
S	POWER AMP	Q 0318	87-A30-106-070	0E	C-TR,CMBT5551	HTNM	AV-D37
S	POWER AMP	Q 0319	87-A30-186-010	1B	FET,2SK3053	HCNM	AV-D37
S	POWER AMP	Q 0319	87-A30-186-010	1B	FET,2SK3053	HRJNM	AV-D37
S	POWER AMP	Q 0319	87-A30-186-010	1B	FET,2SK3053	HTNM	AV-D37
S	POWER AMP	Q 0320	87-A30-186-010	1B	FET,2SK3053	HCNM	AV-D37
S	POWER AMP	Q 0320	87-A30-186-010	1B	FET,2SK3053	HRJNM	AV-D37
S	POWER AMP	Q 0320	87-A30-186-010	1B	FET,2SK3053	HTNM	AV-D37
S	POWER AMP	Q 0321	87-A30-072-080	0E	C-TR,RT1P 144C	HCNM	AV-D37
S	POWER AMP	Q 0321	87-A30-072-080	0E	C-TR,RT1P 144C	HRJNM	AV-D37
S	POWER AMP	Q 0321	87-A30-072-080	0E	C-TR,RT1P 144C	HTNM	AV-D37
S	POWER AMP	Q 0322	87-A30-076-080	0E	C-TR,2SC3052F	HCNM	AV-D37
S	POWER AMP	Q 0322	87-A30-076-080	0E	C-TR,2SC3052F	HRJNM	AV-D37
S	POWER AMP	Q 0322	87-A30-076-080	0E	C-TR,2SC3052F	HTNM	AV-D37
S	POWER AMP	Q 0323	87-A30-074-080	0E	C-TR,RT1P 141C	HCNM	AV-D37
S	POWER AMP	Q 0323	87-A30-074-080	0E	C-TR,RT1P 141C	HRJNM	AV-D37
S	POWER AMP	Q 0323	87-A30-074-080	0E	C-TR,RT1P 141C	HTNM	AV-D37
S	POWER AMP	Q 0324	87-A30-107-070	0E	C-TR,CMBT5401	HCNM	AV-D37
S	POWER AMP	Q 0324	87-A30-107-070	0E	C-TR,CMBT5401	HRJNM	AV-D37
S	POWER AMP	Q 0324	87-A30-107-070	0E	C-TR,CMBT5401	HTNM	AV-D37
S	POWER AMP	Q 0325	87-A30-075-080	0E	C-TR,2SA1235F	HCNM	AV-D37
S	POWER AMP	Q 0325	87-A30-075-080	0E	C-TR,2SA1235F	HRJNM	AV-D37
S	POWER AMP	Q 0325	87-A30-075-080	0E	C-TR,2SA1235F	HTNM	AV-D37
S	POWER AMP	Q 0326	87-026-236-080	0E	C-TR,DTC124EK	HCNM	AV-D37
S	POWER AMP	Q 0326	87-026-236-080	0E	C-TR,DTC124EK	HRJNM	AV-D37
S	POWER AMP	Q 0326	87-026-236-080	0E	C-TR,DTC124EK	HTNM	AV-D37
S	POWER AMP	Q 0327	87-A30-075-080	0E	C-TR,2SA1235F	HCNM	AV-D37
S	POWER AMP	Q 0327	87-A30-075-080	0E	C-TR,2SA1235F	HRJNM	AV-D37
S	POWER AMP	Q 0327	87-A30-075-080	0E	C-TR,2SA1235F	HTNM	AV-D37
S	POWER AMP	Q 0330	87-A30-076-080	0E	C-TR,2SC3052F	HCNM	AV-D37
S	POWER AMP	Q 0330	87-A30-076-080	0E	C-TR,2SC3052F	HRJNM	AV-D37
S	POWER AMP	Q 0330	87-A30-076-080	0E	C-TR,2SC3052F	HTNM	AV-D37
S	POWER AMP	Q 0331	87-A30-076-080	0E	C-TR,2SC3052F	HCNM	AV-D37
S	POWER AMP	Q 0331	87-A30-076-080	0E	C-TR,2SC3052F	HRJNM	AV-D37
S	POWER AMP	Q 0331	87-A30-076-080	0E	C-TR,2SC3052F	HTNM	AV-D37
S	POWER AMP	Q 0332	87-A30-076-080	0E	C-TR,2SC3052F	HCNM	AV-D37
S	POWER AMP	Q 0332	87-A30-076-080	0E	C-TR,2SC3052F	HRJNM	AV-D37
S	POWER AMP	Q 0332	87-A30-076-080	0E	C-TR,2SC3052F	HTNM	AV-D37
S	POWER AMP	Q 0333	87-A30-076-080	0E	C-TR,2SC3052F	HCNM	AV-D37
S	POWER AMP	Q 0333	87-A30-076-080	0E	C-TR,2SC3052F	HRJNM	AV-D37
S	POWER AMP	Q 0333	87-A30-076-080	0E	C-TR,2SC3052F	HTNM	AV-D37
S	POWER AMP	Q 0340	87-A30-107-070	0E	C-TR,CMBT5401	HCNM	AV-D37
S	POWER AMP	Q 0340	87-A30-107-070	0E	C-TR,CMBT5401	HRJNM	AV-D37
S	POWER AMP	Q 0340	87-A30-107-070	0E	C-TR,CMBT5401	HTNM	AV-D37
S	POWER AMP	Q 0401	87-A30-257-080	0E	C-TR,2SD1306E	HCNM	AV-D37
S	POWER AMP	Q 0401	87-A30-257-080	0E	C-TR,2SD1306E	HRJNM	AV-D37
S	POWER AMP	Q 0401	87-A30-257-080	0E	C-TR,2SD1306E	HTNM	AV-D37
S	POWER AMP	Q 0402	87-A30-107-070	0E	C-TR,CMBT5401	HCNM	AV-D37
S	POWER AMP	Q 0402	87-A30-107-070	0E	C-TR,CMBT5401	HRJNM	AV-D37
S	POWER AMP	Q 0402	87-A30-107-070	0E	C-TR,CMBT5401	HTNM	AV-D37
S	POWER AMP	Q 0403	87-A30-107-070	0E	C-TR,CMBT5401	HCNM	AV-D37
S	POWER AMP	Q 0403	87-A30-107-070	0E	C-TR,CMBT5401	HRJNM	AV-D37
S	POWER AMP	Q 0403	87-A30-107-070	0E	C-TR,CMBT5401	HTNM	AV-D37
S	POWER AMP	Q 0404	87-A30-076-080	0E	C-TR,2SC3052F	HCNM	AV-D37
S	POWER AMP	Q 0404	87-A30-076-080	0E	C-TR,2SC3052F	HRJNM	AV-D37
S	POWER AMP	Q 0404	87-A30-076-080	0E	C-TR,2SC3052F	HTNM	AV-D37
S	POWER AMP	Q 0405	87-A30-076-080	0E	C-TR,2SC3052F	HCNM	AV-D37
S	POWER AMP	Q 0405	87-A30-076-080	0E	C-TR,2SC3052F	HRJNM	AV-D37
S	POWER AMP	Q 0405	87-A30-076-080	0E	C-TR,2SC3052F	HTNM	AV-D37
S	POWER AMP	Q 0406	87-A30-190-080	0E	TR,CC5551	HCNM	AV-D37
S	POWER AMP	Q 0406	87-A30-190-080	0E	TR,CC5551	HRJNM	AV-D37
S	POWER AMP	Q 0406	87-A30-190-080	0E	TR,CC5551	HTNM	AV-D37
S	POWER AMP	Q 0409	87-A30-106-070	0E	C-TR,CMBT5551	HCNM	AV-D37
S	POWER AMP	Q 0409	87-A30-106-070	0E	C-TR,CMBT5551	HRJNM	AV-D37

# PARTS LIST

! =  $\Delta$  SAFTY PARTS  
 C = Components marked

All components used on this model at the production line are shown in this service manual.

However, please note that not all components will be available as spare parts for after-sales service.

Components marked S and O are designated as spare parts for service and will be stocked at the spare parts centers.

Components marked X and R are not designated as spare parts for after sales service, and will not be stocked at the spare parts centers.

K NO. = Only use japanese.

! C	UNIT NAME	REF NO.	PARTS CODE	K NO.	DESCRIPTION	SUFFIX	MODEL NAME
S	POWER AMP	Q 0409	87-A30-106-070	0E	C-TR,CMBT5551	HTNM	AV-D37
S	POWER AMP	Q 0410	87-A30-186-010	1B	FET,2SK3053	HCNM	AV-D37
S	POWER AMP	Q 0410	87-A30-186-010	1B	FET,2SK3053	HRJNM	AV-D37
S	POWER AMP	Q 0410	87-A30-186-010	1B	FET,2SK3053	HTNM	AV-D37
S	POWER AMP	Q 0411	87-A30-186-010	1B	FET,2SK3053	HCNM	AV-D37
S	POWER AMP	Q 0411	87-A30-186-010	1B	FET,2SK3053	HRJNM	AV-D37
S	POWER AMP	Q 0411	87-A30-186-010	1B	FET,2SK3053	HTNM	AV-D37
S	POWER AMP	Q 0412	87-A30-072-080	0E	C-TR,RT1P 144C	HCNM	AV-D37
S	POWER AMP	Q 0412	87-A30-072-080	0E	C-TR,RT1P 144C	HRJNM	AV-D37
S	POWER AMP	Q 0412	87-A30-072-080	0E	C-TR,RT1P 144C	HTNM	AV-D37
S	POWER AMP	Q 0413	87-A30-076-080	0E	C-TR,2SC3052F	HCNM	AV-D37
S	POWER AMP	Q 0413	87-A30-076-080	0E	C-TR,2SC3052F	HRJNM	AV-D37
S	POWER AMP	Q 0413	87-A30-076-080	0E	C-TR,2SC3052F	HTNM	AV-D37
S	POWER AMP	Q 0414	87-A30-074-080	0E	C-TR,RT1P 141C	HCNM	AV-D37
S	POWER AMP	Q 0414	87-A30-074-080	0E	C-TR,RT1P 141C	HRJNM	AV-D37
S	POWER AMP	Q 0414	87-A30-074-080	0E	C-TR,RT1P 141C	HTNM	AV-D37
S	POWER AMP	Q 0415	87-A30-107-070	0E	C-TR,CMBT5401	HCNM	AV-D37
S	POWER AMP	Q 0415	87-A30-107-070	0E	C-TR,CMBT5401	HRJNM	AV-D37
S	POWER AMP	Q 0415	87-A30-107-070	0E	C-TR,CMBT5401	HTNM	AV-D37
S	POWER AMP	Q 0416	87-A30-075-080	0E	C-TR,2SA1235F	HCNM	AV-D37
S	POWER AMP	Q 0416	87-A30-075-080	0E	C-TR,2SA1235F	HRJNM	AV-D37
S	POWER AMP	Q 0416	87-A30-075-080	0E	C-TR,2SA1235F	HTNM	AV-D37
S	POWER AMP	Q 0417	87-026-236-080	0E	C-TR,DTC124EK	HCNM	AV-D37
S	POWER AMP	Q 0417	87-026-236-080	0E	C-TR,DTC124EK	HRJNM	AV-D37
S	POWER AMP	Q 0417	87-026-236-080	0E	C-TR,DTC124EK	HTNM	AV-D37
S	POWER AMP	Q 0418	87-A30-075-080	0E	C-TR,2SA1235F	HCNM	AV-D37
S	POWER AMP	Q 0418	87-A30-075-080	0E	C-TR,2SA1235F	HRJNM	AV-D37
S	POWER AMP	Q 0418	87-A30-075-080	0E	C-TR,2SA1235F	HTNM	AV-D37
S	POWER AMP	Q 0420	87-A30-076-080	0E	C-TR,2SC3052F	HCNM	AV-D37
S	POWER AMP	Q 0420	87-A30-076-080	0E	C-TR,2SC3052F	HRJNM	AV-D37
S	POWER AMP	Q 0420	87-A30-076-080	0E	C-TR,2SC3052F	HTNM	AV-D37
S	POWER AMP	Q 0420	87-A30-076-080	0E	C-TR,2SC3052F	HTNM	AV-D37
S	POWER AMP	Q 0421	87-A30-076-080	0E	C-TR,2SC3052F	HTNM	AV-D37
S	POWER AMP	Q 0421	87-A30-076-080	0E	C-TR,2SC3052F	HCNM	AV-D37
S	POWER AMP	Q 0421	87-A30-076-080	0E	C-TR,2SC3052F	HRJNM	AV-D37
S	POWER AMP	Q 0421	87-A30-076-080	0E	C-TR,2SC3052F	HTNM	AV-D37
S	POWER AMP	Q 0440	87-A30-107-070	0E	C-TR,CMBT5401	HCNM	AV-D37
S	POWER AMP	Q 0440	87-A30-107-070	0E	C-TR,CMBT5401	HRJNM	AV-D37
S	POWER AMP	Q 0440	87-A30-107-070	0E	C-TR,CMBT5401	HTNM	AV-D37
X	POWER AMP	R 0200	88-128-681-080	0E	C-RES, 680-1/8W J	HCNM	AV-D37
X	POWER AMP	R 0200	88-128-681-080	0E	C-RES, 680-1/8W J	HRJNM	AV-D37
X	POWER AMP	R 0200	88-128-681-080	0E	C-RES, 680-1/8W J	HTNM	AV-D37
X	POWER AMP	R 0201	88-118-562-080	0E	C-RES,S 5.6K-1/10W J	HCNM	AV-D37
X	POWER AMP	R 0201	88-118-562-080	0E	C-RES,S 5.6K-1/10W J	HRJNM	AV-D37
X	POWER AMP	R 0201	88-118-562-080	0E	C-RES,S 5.6K-1/10W J	HTNM	AV-D37
X	POWER AMP	R 0202	88-118-562-080	0E	C-RES,S 5.6K-1/10W J	HCNM	AV-D37
X	POWER AMP	R 0202	88-118-562-080	0E	C-RES,S 5.6K-1/10W J	HRJNM	AV-D37
X	POWER AMP	R 0202	88-118-562-080	0E	C-RES,S 5.6K-1/10W J	HTNM	AV-D37
X	POWER AMP	R 0205	88-118-223-080	0E	C-RES,S 22K-1/10W J	HCNM	AV-D37
X	POWER AMP	R 0205	88-118-223-080	0E	C-RES,S 22K-1/10W J	HRJNM	AV-D37
X	POWER AMP	R 0205	88-118-223-080	0E	C-RES,S 22K-1/10W J	HTNM	AV-D37
X	POWER AMP	R 0206	88-118-223-080	0E	C-RES,S 22K-1/10W J	HCNM	AV-D37
X	POWER AMP	R 0206	88-118-223-080	0E	C-RES,S 22K-1/10W J	HRJNM	AV-D37
X	POWER AMP	R 0206	88-118-223-080	0E	C-RES,S 22K-1/10W J	HTNM	AV-D37
X	POWER AMP	R 0207	88-118-101-080	0E	C-RES,S 100-1/10W J	HCNM	AV-D37
X	POWER AMP	R 0207	88-118-101-080	0E	C-RES,S 100-1/10W J	HRJNM	AV-D37
X	POWER AMP	R 0207	88-118-101-080	0E	C-RES,S 100-1/10W J	HTNM	AV-D37
X	POWER AMP	R 0208	88-118-101-080	0E	C-RES,S 100-1/10W J	HCNM	AV-D37
X	POWER AMP	R 0208	88-118-101-080	0E	C-RES,S 100-1/10W J	HRJNM	AV-D37
X	POWER AMP	R 0208	88-118-101-080	0E	C-RES,S 100-1/10W J	HTNM	AV-D37
X	POWER AMP	R 0209	88-118-223-080	0E	C-RES,S 22K-1/10W J	HCNM	AV-D37
X	POWER AMP	R 0209	88-118-223-080	0E	C-RES,S 22K-1/10W J	HRJNM	AV-D37
X	POWER AMP	R 0209	88-118-223-080	0E	C-RES,S 22K-1/10W J	HTNM	AV-D37
X	POWER AMP	R 0210	88-118-223-080	0E	C-RES,S 22K-1/10W J	HCNM	AV-D37
X	POWER AMP	R 0210	88-118-223-080	0E	C-RES,S 22K-1/10W J	HRJNM	AV-D37
X	POWER AMP	R 0210	88-118-223-080	0E	C-RES,S 22K-1/10W J	HTNM	AV-D37
O	POWER AMP	R 0211	87-A00-571-050	0E	RES,M/F 0.15-2W J RZ	HCNM	AV-D37
O	POWER AMP	R 0211	87-A00-571-050	0E	RES,M/F 0.15-2W J RZ	HRJNM	AV-D37
O	POWER AMP	R 0211	87-A00-571-050	0E	RES,M/F 0.15-2W J RZ	HTNM	AV-D37
O	POWER AMP	R 0212	87-A00-571-050	0E	RES,M/F 0.15-2W J RZ	HCNM	AV-D37
O	POWER AMP	R 0212	87-A00-571-050	0E	RES,M/F 0.15-2W J RZ	HRJNM	AV-D37
O	POWER AMP	R 0212	87-A00-571-050	0E	RES,M/F 0.15-2W J RZ	HTNM	AV-D37

# PARTS LIST

! =  $\Delta$  SAFTY PARTS  
 C = Components marked

All components used on this model at the production line are shown in this service manual.

However, please note that not all components will be available as spare parts for after-sales service.

Components marked S and O are designated as spare parts for service and will be stocked at the spare parts centers.

Components marked X and R are not designated as spare parts for after sales service, and will not be stocked at the spare parts centers.

K NO. = Only use japanese.

! C	UNIT NAME	REF NO.	PARTS CODE	K NO.	DESCRIPTION	SUFFIX	MODEL NAME
X	POWER AMP	R 0213	88-118-101-080	0E	C-RES,S 100-1/10W J	HCNM	AV-D37
X	POWER AMP	R 0213	88-118-101-080	0E	C-RES,S 100-1/10W J	HRJNM	AV-D37
X	POWER AMP	R 0213	88-118-101-080	0E	C-RES,S 100-1/10W J	HTNM	AV-D37
X	POWER AMP	R 0214	88-118-101-080	0E	C-RES,S 100-1/10W J	HCNM	AV-D37
X	POWER AMP	R 0214	88-118-101-080	0E	C-RES,S 100-1/10W J	HRJNM	AV-D37
X	POWER AMP	R 0214	88-118-101-080	0E	C-RES,S 100-1/10W J	HTNM	AV-D37
X	POWER AMP	R 0215	88-118-681-080	0E	C-RES,S 680-1/10W J	HCNM	AV-D37
X	POWER AMP	R 0215	88-118-681-080	0E	C-RES,S 680-1/10W J	HRJNM	AV-D37
X	POWER AMP	R 0215	88-118-681-080	0E	C-RES,S 680-1/10W J	HTNM	AV-D37
X	POWER AMP	R 0216	88-118-681-080	0E	C-RES,S 680-1/10W J	HCNM	AV-D37
X	POWER AMP	R 0216	88-118-681-080	0E	C-RES,S 680-1/10W J	HRJNM	AV-D37
X	POWER AMP	R 0216	88-118-681-080	0E	C-RES,S 680-1/10W J	HTNM	AV-D37
X	POWER AMP	R 0217	88-118-103-080	0E	C-RES,S 10K-1/10W J	HCNM	AV-D37
X	POWER AMP	R 0217	88-118-103-080	0E	C-RES,S 10K-1/10W J	HRJNM	AV-D37
X	POWER AMP	R 0217	88-118-103-080	0E	C-RES,S 10K-1/10W J	HTNM	AV-D37
X	POWER AMP	R 0218	88-118-103-080	0E	C-RES,S 10K-1/10W J	HCNM	AV-D37
X	POWER AMP	R 0218	88-118-103-080	0E	C-RES,S 10K-1/10W J	HRJNM	AV-D37
X	POWER AMP	R 0218	88-118-103-080	0E	C-RES,S 10K-1/10W J	HTNM	AV-D37
X	POWER AMP	R 0219	88-118-101-080	0E	C-RES,S 100-1/10W J	HCNM	AV-D37
X	POWER AMP	R 0219	88-118-101-080	0E	C-RES,S 100-1/10W J	HRJNM	AV-D37
X	POWER AMP	R 0219	88-118-101-080	0E	C-RES,S 100-1/10W J	HTNM	AV-D37
X	POWER AMP	R 0220	88-118-101-080	0E	C-RES,S 100-1/10W J	HCNM	AV-D37
X	POWER AMP	R 0220	88-118-101-080	0E	C-RES,S 100-1/10W J	HRJNM	AV-D37
X	POWER AMP	R 0220	88-118-101-080	0E	C-RES,S 100-1/10W J	HTNM	AV-D37
X	POWER AMP	R 0221	88-118-101-080	0E	C-RES,S 100-1/10W J	HCNM	AV-D37
X	POWER AMP	R 0221	88-118-101-080	0E	C-RES,S 100-1/10W J	HRJNM	AV-D37
X	POWER AMP	R 0221	88-118-101-080	0E	C-RES,S 100-1/10W J	HTNM	AV-D37
X	POWER AMP	R 0222	88-118-101-080	0E	C-RES,S 100-1/10W J	HCNM	AV-D37
X	POWER AMP	R 0222	88-118-101-080	0E	C-RES,S 100-1/10W J	HRJNM	AV-D37
X	POWER AMP	R 0222	88-118-101-080	0E	C-RES,S 100-1/10W J	HTNM	AV-D37
X	POWER AMP	R 0223	88-128-331-080	0E	C-RES, 330-1/8W J	HCNM	AV-D37
X	POWER AMP	R 0223	88-128-331-080	0E	C-RES, 330-1/8W J	HRJNM	AV-D37
X	POWER AMP	R 0223	88-128-331-080	0E	C-RES, 330-1/8W J	HTNM	AV-D37
X	POWER AMP	R 0224	88-128-331-080	0E	C-RES, 330-1/8W J	HCNM	AV-D37
X	POWER AMP	R 0224	88-128-331-080	0E	C-RES, 330-1/8W J	HRJNM	AV-D37
X	POWER AMP	R 0224	88-128-331-080	0E	C-RES, 330-1/8W J	HTNM	AV-D37
X	POWER AMP	R 0225	88-118-223-080	0E	C-RES,S 22K-1/10W J	HCNM	AV-D37
X	POWER AMP	R 0225	88-118-223-080	0E	C-RES,S 22K-1/10W J	HRJNM	AV-D37
X	POWER AMP	R 0225	88-118-223-080	0E	C-RES,S 22K-1/10W J	HTNM	AV-D37
X	POWER AMP	R 0226	88-118-223-080	0E	C-RES,S 22K-1/10W J	HCNM	AV-D37
X	POWER AMP	R 0226	88-118-223-080	0E	C-RES,S 22K-1/10W J	HRJNM	AV-D37
X	POWER AMP	R 0226	88-118-223-080	0E	C-RES,S 22K-1/10W J	HTNM	AV-D37
X	POWER AMP	R 0227	88-128-102-080	0E	C-RES, 1K-1/8W J	HCNM	AV-D37
X	POWER AMP	R 0227	88-128-102-080	0E	C-RES, 1K-1/8W J	HRJNM	AV-D37
X	POWER AMP	R 0227	88-128-102-080	0E	C-RES, 1K-1/8W J	HTNM	AV-D37
X	POWER AMP	R 0228	88-128-102-080	0E	C-RES, 1K-1/8W J	HCNM	AV-D37
X	POWER AMP	R 0228	88-128-102-080	0E	C-RES, 1K-1/8W J	HRJNM	AV-D37
X	POWER AMP	R 0228	88-128-102-080	0E	C-RES, 1K-1/8W J	HTNM	AV-D37
X	POWER AMP	R 0229	88-118-390-080	0E	C-RES,S 39-1/10W J	HCNM	AV-D37
X	POWER AMP	R 0229	88-118-390-080	0E	C-RES,S 39-1/10W J	HRJNM	AV-D37
X	POWER AMP	R 0229	88-118-390-080	0E	C-RES,S 39-1/10W J	HTNM	AV-D37
X	POWER AMP	R 0230	88-118-390-080	0E	C-RES,S 39-1/10W J	HCNM	AV-D37
X	POWER AMP	R 0230	88-118-390-080	0E	C-RES,S 39-1/10W J	HRJNM	AV-D37
X	POWER AMP	R 0230	88-118-390-080	0E	C-RES,S 39-1/10W J	HTNM	AV-D37
O	POWER AMP	R 0231	87-A00-571-050	0E	RES,M/F 0.15-2W J RZ	HCNM	AV-D37
O	POWER AMP	R 0231	87-A00-571-050	0E	RES,M/F 0.15-2W J RZ	HRJNM	AV-D37
O	POWER AMP	R 0231	87-A00-571-050	0E	RES,M/F 0.15-2W J RZ	HTNM	AV-D37
O	POWER AMP	R 0232	87-A00-571-050	0E	RES,M/F 0.15-2W J RZ	HCNM	AV-D37
O	POWER AMP	R 0232	87-A00-571-050	0E	RES,M/F 0.15-2W J RZ	HRJNM	AV-D37
O	POWER AMP	R 0232	87-A00-571-050	0E	RES,M/F 0.15-2W J RZ	HTNM	AV-D37
O	POWER AMP	R 0233	87-A00-571-050	0E	RES,M/F 0.15-2W J RZ	HCNM	AV-D37
O	POWER AMP	R 0233	87-A00-571-050	0E	RES,M/F 0.15-2W J RZ	HRJNM	AV-D37
O	POWER AMP	R 0233	87-A00-571-050	0E	RES,M/F 0.15-2W J RZ	HTNM	AV-D37
O	POWER AMP	R 0234	87-A00-571-050	0E	RES,M/F 0.15-2W J RZ	HCNM	AV-D37
O	POWER AMP	R 0234	87-A00-571-050	0E	RES,M/F 0.15-2W J RZ	HRJNM	AV-D37
O	POWER AMP	R 0234	87-A00-571-050	0E	RES,M/F 0.15-2W J RZ	HTNM	AV-D37
X	POWER AMP	R 0235	88-118-102-080	0E	C-RES,S 1K-1/10W J	HCNM	AV-D37
X	POWER AMP	R 0235	88-118-102-080	0E	C-RES,S 1K-1/10W J	HRJNM	AV-D37
X	POWER AMP	R 0235	88-118-102-080	0E	C-RES,S 1K-1/10W J	HTNM	AV-D37
X	POWER AMP	R 0236	88-128-102-080	0E	C-RES, 1K-1/8W J	HCNM	AV-D37

# PARTS LIST

! =  $\Delta$  SAFTY PARTS  
 C = Components marked

All components used on this model at the production line are shown in this service manual.

However, please note that not all components will be available as spare parts for after-sales service.

Components marked S and O are designated as spare parts for service and will be stocked at the spare parts centers.

Components marked X and R are not designated as spare parts for after sales service, and will not be stocked at the spare parts centers.

K NO. = Only use japanese.

! C	UNIT NAME	REF NO.	PARTS CODE	K NO.	DESCRIPTION	SUFFIX	MODEL NAME
X	POWER AMP	R 0236	88-128-102-080	0E	C-RES, 1K-1/8W J	HRJNM	AV-D37
X	POWER AMP	R 0236	88-128-102-080	0E	C-RES, 1K-1/8W J	HTNM	AV-D37
X	POWER AMP	R 0237	88-118-681-080	0E	C-RES,S 680-1/10W J	HCNM	AV-D37
X	POWER AMP	R 0237	88-118-681-080	0E	C-RES,S 680-1/10W J	HRJNM	AV-D37
X	POWER AMP	R 0237	88-118-681-080	0E	C-RES,S 680-1/10W J	HTNM	AV-D37
X	POWER AMP	R 0238	88-118-681-080	0E	C-RES,S 680-1/10W J	HCNM	AV-D37
X	POWER AMP	R 0238	88-118-681-080	0E	C-RES,S 680-1/10W J	HRJNM	AV-D37
X	POWER AMP	R 0238	88-118-681-080	0E	C-RES,S 680-1/10W J	HTNM	AV-D37
X	POWER AMP	R 0239	88-118-223-080	0E	C-RES,S 22K-1/10W J	HCNM	AV-D37
X	POWER AMP	R 0239	88-118-223-080	0E	C-RES,S 22K-1/10W J	HRJNM	AV-D37
X	POWER AMP	R 0239	88-118-223-080	0E	C-RES,S 22K-1/10W J	HTNM	AV-D37
X	POWER AMP	R 0240	88-128-223-080	0E	C-RES, 22K-1/8W J	HCNM	AV-D37
X	POWER AMP	R 0240	88-128-223-080	0E	C-RES, 22K-1/8W J	HRJNM	AV-D37
X	POWER AMP	R 0240	88-128-223-080	0E	C-RES, 22K-1/8W J	HTNM	AV-D37
X	POWER AMP	R 0241	88-118-153-080	0E	C-RES,S 15K-1/10W J	HCNM	AV-D37
X	POWER AMP	R 0241	88-118-153-080	0E	C-RES,S 15K-1/10W J	HRJNM	AV-D37
X	POWER AMP	R 0241	88-118-153-080	0E	C-RES,S 15K-1/10W J	HTNM	AV-D37
X	POWER AMP	R 0242	88-118-153-080	0E	C-RES,S 15K-1/10W J	HCNM	AV-D37
X	POWER AMP	R 0242	88-118-153-080	0E	C-RES,S 15K-1/10W J	HRJNM	AV-D37
X	POWER AMP	R 0242	88-118-153-080	0E	C-RES,S 15K-1/10W J	HTNM	AV-D37
X	POWER AMP	R 0243	88-118-563-080	0E	C-RES,S 56K-1/10W J	HCNM	AV-D37
X	POWER AMP	R 0243	88-118-563-080	0E	C-RES,S 56K-1/10W J	HRJNM	AV-D37
X	POWER AMP	R 0243	88-118-563-080	0E	C-RES,S 56K-1/10W J	HTNM	AV-D37
X	POWER AMP	R 0244	88-118-563-080	0E	C-RES,S 56K-1/10W J	HCNM	AV-D37
X	POWER AMP	R 0244	88-118-563-080	0E	C-RES,S 56K-1/10W J	HRJNM	AV-D37
X	POWER AMP	R 0244	88-118-563-080	0E	C-RES,S 56K-1/10W J	HTNM	AV-D37
X	POWER AMP	R 0245	88-128-221-080	0E	C-RES, 220-1/8W J	HCNM	AV-D37
X	POWER AMP	R 0245	88-128-221-080	0E	C-RES, 220-1/8W J	HRJNM	AV-D37
X	POWER AMP	R 0245	88-128-221-080	0E	C-RES, 220-1/8W J	HTNM	AV-D37
X	POWER AMP	R 0246	88-118-152-080	0E	C-RES,S 1.5K-1/10W J	HCNM	AV-D37
X	POWER AMP	R 0246	88-118-152-080	0E	C-RES,S 1.5K-1/10W J	HRJNM	AV-D37
X	POWER AMP	R 0246	88-118-152-080	0E	C-RES,S 1.5K-1/10W J	HTNM	AV-D37
X	POWER AMP	R 0247	88-118-000-080	0E	C-JUMPER,S	HCNM	AV-D37
X	POWER AMP	R 0247	88-118-000-080	0E	C-JUMPER,S	HRJNM	AV-D37
X	POWER AMP	R 0247	88-118-000-080	0E	C-JUMPER,S	HTNM	AV-D37
X	POWER AMP	R 0248	88-128-681-080	0E	C-RES, 680-1/8W J	HCNM	AV-D37
X	POWER AMP	R 0248	88-128-681-080	0E	C-RES, 680-1/8W J	HRJNM	AV-D37
X	POWER AMP	R 0248	88-128-681-080	0E	C-RES, 680-1/8W J	HTNM	AV-D37
X	POWER AMP	R 0249	88-128-681-080	0E	C-RES, 680-1/8W J	HCNM	AV-D37
X	POWER AMP	R 0249	88-128-681-080	0E	C-RES, 680-1/8W J	HRJNM	AV-D37
X	POWER AMP	R 0249	88-128-681-080	0E	C-RES, 680-1/8W J	HTNM	AV-D37
X	POWER AMP	R 0250	88-130-272-080	0E	RES, 2.7K-1/4W J	HCNM	AV-D37
X	POWER AMP	R 0250	88-130-272-080	0E	RES, 2.7K-1/4W J	HRJNM	AV-D37
X	POWER AMP	R 0250	88-130-272-080	0E	RES, 2.7K-1/4W J	HTNM	AV-D37
X	POWER AMP	R 0251	88-118-103-080	0E	C-RES,S 10K-1/10W J	HCNM	AV-D37
X	POWER AMP	R 0251	88-118-103-080	0E	C-RES,S 10K-1/10W J	HRJNM	AV-D37
X	POWER AMP	R 0251	88-118-103-080	0E	C-RES,S 10K-1/10W J	HTNM	AV-D37
X	POWER AMP	R 0252	88-118-472-080	0E	C-RES,S 4.7K-1/10W J	HCNM	AV-D37
X	POWER AMP	R 0252	88-118-472-080	0E	C-RES,S 4.7K-1/10W J	HRJNM	AV-D37
X	POWER AMP	R 0252	88-118-472-080	0E	C-RES,S 4.7K-1/10W J	HTNM	AV-D37
X	POWER AMP	R 0253	88-118-473-080	0E	C-RES,S 47K-1/10W J	HCNM	AV-D37
X	POWER AMP	R 0253	88-118-473-080	0E	C-RES,S 47K-1/10W J	HRJNM	AV-D37
X	POWER AMP	R 0253	88-118-473-080	0E	C-RES,S 47K-1/10W J	HTNM	AV-D37
X	POWER AMP	R 0254	88-118-473-080	0E	C-RES,S 47K-1/10W J	HCNM	AV-D37
X	POWER AMP	R 0254	88-118-473-080	0E	C-RES,S 47K-1/10W J	HRJNM	AV-D37
X	POWER AMP	R 0254	88-118-473-080	0E	C-RES,S 47K-1/10W J	HTNM	AV-D37
X	POWER AMP	R 0255	88-118-472-080	0E	C-RES,S 4.7K-1/10W J	HCNM	AV-D37
X	POWER AMP	R 0255	88-118-472-080	0E	C-RES,S 4.7K-1/10W J	HRJNM	AV-D37
X	POWER AMP	R 0255	88-118-472-080	0E	C-RES,S 4.7K-1/10W J	HTNM	AV-D37
X	POWER AMP	R 0256	88-118-472-080	0E	C-RES,S 4.7K-1/10W J	HCNM	AV-D37
X	POWER AMP	R 0256	88-118-472-080	0E	C-RES,S 4.7K-1/10W J	HRJNM	AV-D37
X	POWER AMP	R 0256	88-118-472-080	0E	C-RES,S 4.7K-1/10W J	HTNM	AV-D37
X	POWER AMP	R 0257	88-118-472-080	0E	C-RES,S 4.7K-1/10W J	HCNM	AV-D37
X	POWER AMP	R 0257	88-118-472-080	0E	C-RES,S 4.7K-1/10W J	HRJNM	AV-D37
X	POWER AMP	R 0257	88-118-472-080	0E	C-RES,S 4.7K-1/10W J	HTNM	AV-D37
X	POWER AMP	R 0257	88-118-472-080	0E	C-RES,S 4.7K-1/10W J	HRJNM	AV-D37
X	POWER AMP	R 0258	88-118-473-080	0E	C-RES,S 47K-1/10W J	HCNM	AV-D37
X	POWER AMP	R 0258	88-118-473-080	0E	C-RES,S 47K-1/10W J	HRJNM	AV-D37
X	POWER AMP	R 0258	88-118-473-080	0E	C-RES,S 47K-1/10W J	HTNM	AV-D37
X	POWER AMP	R 0258	88-118-473-080	0E	C-RES,S 47K-1/10W J	HRJNM	AV-D37
X	POWER AMP	R 0259	88-118-471-080	0E	C-RES,S 470-1/10W J	HCNM	AV-D37
X	POWER AMP	R 0259	88-118-471-080	0E	C-RES,S 470-1/10W J	HRJNM	AV-D37
X	POWER AMP	R 0259	88-118-471-080	0E	C-RES,S 470-1/10W J	HTNM	AV-D37

# PARTS LIST

! =  $\Delta$  SAFTY PARTS  
 C = Components marked

All components used on this model at the production line are shown in this service manual.

However, please note that not all components will be available as spare parts for after-sales service.

Components marked S and O are designated as spare parts for service and will be stocked at the spare parts centers.

Components marked X and R are not designated as spare parts for after sales service, and will not be stocked at the spare parts centers.

K NO. = Only use japanese.

! C	UNIT NAME	REF NO.	PARTS CODE	K NO.	DESCRIPTION	SUFFIX	MODEL NAME
X	POWER AMP	R 0259	88-118-471-080	0E	C-RES,S 470-1/10W J	HTNM	AV-D37
X	POWER AMP	R 0260	88-118-122-080	0E	C-RES,S 1.2K-1/10W J	HCNM	AV-D37
X	POWER AMP	R 0260	88-118-122-080	0E	C-RES,S 1.2K-1/10W J	HRJNM	AV-D37
X	POWER AMP	R 0260	88-118-122-080	0E	C-RES,S 1.2K-1/10W J	HTNM	AV-D37
X	POWER AMP	R 0261	88-118-473-080	0E	C-RES,S 47K-1/10W J	HCNM	AV-D37
X	POWER AMP	R 0261	88-118-473-080	0E	C-RES,S 47K-1/10W J	HRJNM	AV-D37
X	POWER AMP	R 0261	88-118-473-080	0E	C-RES,S 47K-1/10W J	HTNM	AV-D37
X	POWER AMP	R 0262	88-118-473-080	0E	C-RES,S 47K-1/10W J	HCNM	AV-D37
X	POWER AMP	R 0262	88-118-473-080	0E	C-RES,S 47K-1/10W J	HRJNM	AV-D37
X	POWER AMP	R 0262	88-118-473-080	0E	C-RES,S 47K-1/10W J	HTNM	AV-D37
X	POWER AMP	R 0263	88-118-103-080	0E	C-RES,S 10K-1/10W J	HCNM	AV-D37
X	POWER AMP	R 0263	88-118-103-080	0E	C-RES,S 10K-1/10W J	HRJNM	AV-D37
X	POWER AMP	R 0263	88-118-103-080	0E	C-RES,S 10K-1/10W J	HTNM	AV-D37
X	POWER AMP	R 0264	88-128-472-080	0E	C-RES, 4.7K-1/8W J	HCNM	AV-D37
X	POWER AMP	R 0264	88-128-472-080	0E	C-RES, 4.7K-1/8W J	HRJNM	AV-D37
X	POWER AMP	R 0264	88-128-472-080	0E	C-RES, 4.7K-1/8W J	HTNM	AV-D37
X	POWER AMP	R 0265	88-130-272-080	0E	RES, 2.7K-1/4W J	HCNM	AV-D37
X	POWER AMP	R 0265	88-130-272-080	0E	RES, 2.7K-1/4W J	HRJNM	AV-D37
X	POWER AMP	R 0265	88-130-272-080	0E	RES, 2.7K-1/4W J	HTNM	AV-D37
X	POWER AMP	R 0266	88-118-272-080	0E	C-RES,S 2.7K-1/10W J	HCNM	AV-D37
X	POWER AMP	R 0266	88-118-272-080	0E	C-RES,S 2.7K-1/10W J	HRJNM	AV-D37
X	POWER AMP	R 0266	88-118-272-080	0E	C-RES,S 2.7K-1/10W J	HTNM	AV-D37
X	POWER AMP	R 0267	88-118-103-080	0E	C-RES,S 10K-1/10W J	HCNM	AV-D37
X	POWER AMP	R 0267	88-118-103-080	0E	C-RES,S 10K-1/10W J	HRJNM	AV-D37
X	POWER AMP	R 0267	88-118-103-080	0E	C-RES,S 10K-1/10W J	HTNM	AV-D37
X	POWER AMP	R 0268	88-118-103-080	0E	C-RES,S 10K-1/10W J	HCNM	AV-D37
X	POWER AMP	R 0268	88-118-103-080	0E	C-RES,S 10K-1/10W J	HRJNM	AV-D37
X	POWER AMP	R 0268	88-118-103-080	0E	C-RES,S 10K-1/10W J	HTNM	AV-D37
X	POWER AMP	R 0269	88-118-472-080	0E	C-RES,S 4.7K-1/10W J	HCNM	AV-D37
X	POWER AMP	R 0269	88-118-472-080	0E	C-RES,S 4.7K-1/10W J	HRJNM	AV-D37
X	POWER AMP	R 0269	88-118-472-080	0E	C-RES,S 4.7K-1/10W J	HTNM	AV-D37
X	POWER AMP	R 0269	88-118-472-080	0E	C-RES,S 4.7K-1/10W J	HTNM	AV-D37
X	POWER AMP	R 0270	88-121-221-080	0E	RES, 220-1/8W J	HCNM	AV-D37
X	POWER AMP	R 0270	88-121-221-080	0E	RES, 220-1/8W J	HRJNM	AV-D37
X	POWER AMP	R 0270	88-121-221-080	0E	RES, 220-1/8W J	HTNM	AV-D37
X	POWER AMP	R 0271	88-118-102-080	0E	C-RES,S 1K-1/10W J	HCNM	AV-D37
X	POWER AMP	R 0271	88-118-102-080	0E	C-RES,S 1K-1/10W J	HRJNM	AV-D37
X	POWER AMP	R 0271	88-118-102-080	0E	C-RES,S 1K-1/10W J	HTNM	AV-D37
X	POWER AMP	R 0271	88-118-102-080	0E	C-RES,S 1K-1/10W J	HTNM	AV-D37
X	POWER AMP	R 0272	88-118-103-080	0E	C-RES,S 10K-1/10W J	HCNM	AV-D37
X	POWER AMP	R 0272	88-118-103-080	0E	C-RES,S 10K-1/10W J	HRJNM	AV-D37
X	POWER AMP	R 0272	88-118-103-080	0E	C-RES,S 10K-1/10W J	HTNM	AV-D37
X	POWER AMP	R 0273	88-118-105-080	0E	C-RES,S 1M-1/10W J	HCNM	AV-D37
X	POWER AMP	R 0273	88-118-105-080	0E	C-RES,S 1M-1/10W J	HRJNM	AV-D37
X	POWER AMP	R 0273	88-118-105-080	0E	C-RES,S 1M-1/10W J	HTNM	AV-D37
X	POWER AMP	R 0274	88-118-683-080	0E	C-RES,S 68K-1/10W J	HCNM	AV-D37
X	POWER AMP	R 0274	88-118-683-080	0E	C-RES,S 68K-1/10W J	HRJNM	AV-D37
X	POWER AMP	R 0274	88-118-683-080	0E	C-RES,S 68K-1/10W J	HTNM	AV-D37
X	POWER AMP	R 0274	88-118-683-080	0E	C-RES,S 68K-1/10W J	HTNM	AV-D37
X	POWER AMP	R 0275	88-118-223-080	0E	C-RES,S 22K-1/10W J	HCNM	AV-D37
X	POWER AMP	R 0275	88-118-223-080	0E	C-RES,S 22K-1/10W J	HRJNM	AV-D37
X	POWER AMP	R 0275	88-118-223-080	0E	C-RES,S 22K-1/10W J	HTNM	AV-D37
X	POWER AMP	R 0276	88-118-000-080	0E	C-JUMPER,S	HCNM	AV-D37
X	POWER AMP	R 0276	88-118-000-080	0E	C-JUMPER,S	HRJNM	AV-D37
X	POWER AMP	R 0276	88-118-000-080	0E	C-JUMPER,S	HTNM	AV-D37
X	POWER AMP	R 0277	88-118-000-080	0E	C-JUMPER,S	HCNM	AV-D37
X	POWER AMP	R 0277	88-118-000-080	0E	C-JUMPER,S	HRJNM	AV-D37
X	POWER AMP	R 0277	88-118-000-080	0E	C-JUMPER,S	HTNM	AV-D37
X	POWER AMP	R 0278	88-118-562-080	0E	C-RES,S 5.6K-1/10W J	HCNM	AV-D37
X	POWER AMP	R 0278	88-118-562-080	0E	C-RES,S 5.6K-1/10W J	HRJNM	AV-D37
X	POWER AMP	R 0278	88-118-562-080	0E	C-RES,S 5.6K-1/10W J	HTNM	AV-D37
X	POWER AMP	R 0279	88-128-391-080	0E	C-RES, 390-1/8W J	HCNM	AV-D37
X	POWER AMP	R 0279	88-128-391-080	0E	C-RES, 390-1/8W J	HRJNM	AV-D37
X	POWER AMP	R 0279	88-128-391-080	0E	C-RES, 390-1/8W J	HTNM	AV-D37
X	POWER AMP	R 0280	88-128-391-080	0E	C-RES, 390-1/8W J	HCNM	AV-D37
X	POWER AMP	R 0280	88-128-391-080	0E	C-RES, 390-1/8W J	HRJNM	AV-D37
X	POWER AMP	R 0280	88-128-391-080	0E	C-RES, 390-1/8W J	HTNM	AV-D37
O	POWER AMP	R 0281	87-A00-373-050	0E	RES,M/F 270-1W J VTP	HCNM	AV-D37
O	POWER AMP	R 0281	87-A00-373-050	0E	RES,M/F 270-1W J VTP	HRJNM	AV-D37
O	POWER AMP	R 0281	87-A00-373-050	0E	RES,M/F 270-1W J VTP	HTNM	AV-D37
O	POWER AMP	R 0282	87-A00-373-050	0E	RES,M/F 270-1W J VTP	HCNM	AV-D37
O	POWER AMP	R 0282	87-A00-373-050	0E	RES,M/F 270-1W J VTP	HRJNM	AV-D37
O	POWER AMP	R 0282	87-A00-373-050	0E	RES,M/F 270-1W J VTP	HTNM	AV-D37

# PARTS LIST

! =  $\Delta$  SAFTY PARTS  
 C = Components marked

All components used on this model at the production line are shown in this service manual.

However, please note that not all components will be available as spare parts for after-sales service.

Components marked S and O are designated as spare parts for service and will be stocked at the spare parts centers.

Components marked X and R are not designated as spare parts for after sales service, and will not be stocked at the spare parts centers.

K NO. = Only use japanese.

! C	UNIT NAME	REF NO.	PARTS CODE	K NO.	DESCRIPTION	SUFFIX	MODEL NAME
O	POWER AMP	R 0283	87-A00-373-050	0E	RES,M/F 270-1W J VTP	HCNM	AV-D37
O	POWER AMP	R 0283	87-A00-373-050	0E	RES,M/F 270-1W J VTP	HRJNM	AV-D37
O	POWER AMP	R 0283	87-A00-373-050	0E	RES,M/F 270-1W J VTP	HTNM	AV-D37
O	POWER AMP	R 0284	87-A00-373-050	0E	RES,M/F 270-1W J VTP	HCNM	AV-D37
O	POWER AMP	R 0284	87-A00-373-050	0E	RES,M/F 270-1W J VTP	HRJNM	AV-D37
O	POWER AMP	R 0284	87-A00-373-050	0E	RES,M/F 270-1W J VTP	HTNM	AV-D37
X	POWER AMP	R 0288	88-118-103-080	0E	C-RES,S 10K-1/10W J	HCNM	AV-D37
X	POWER AMP	R 0288	88-118-103-080	0E	C-RES,S 10K-1/10W J	HRJNM	AV-D37
X	POWER AMP	R 0288	88-118-103-080	0E	C-RES,S 10K-1/10W J	HTNM	AV-D37
X	POWER AMP	R 0289	88-118-103-080	0E	C-RES,S 10K-1/10W J	HCNM	AV-D37
X	POWER AMP	R 0289	88-118-103-080	0E	C-RES,S 10K-1/10W J	HRJNM	AV-D37
X	POWER AMP	R 0289	88-118-103-080	0E	C-RES,S 10K-1/10W J	HTNM	AV-D37
X	POWER AMP	R 0290	88-118-103-080	0E	C-RES,S 10K-1/10W J	HCNM	AV-D37
X	POWER AMP	R 0290	88-118-103-080	0E	C-RES,S 10K-1/10W J	HRJNM	AV-D37
X	POWER AMP	R 0290	88-118-103-080	0E	C-RES,S 10K-1/10W J	HTNM	AV-D37
X	POWER AMP	R 0291	88-121-100-080	0E	RES,10-1/8W J	HCNM	AV-D37
X	POWER AMP	R 0291	88-121-100-080	0E	RES,10-1/8W J	HRJNM	AV-D37
X	POWER AMP	R 0291	88-121-100-080	0E	RES,10-1/8W J	HTNM	AV-D37
X	POWER AMP	R 0292	88-121-100-080	0E	RES,10-1/8W J	HCNM	AV-D37
X	POWER AMP	R 0292	88-121-100-080	0E	RES,10-1/8W J	HRJNM	AV-D37
X	POWER AMP	R 0292	88-121-100-080	0E	RES,10-1/8W J	HTNM	AV-D37
X	POWER AMP	R 0293	88-128-100-080	0E	C-RES, 10-1/8W J	HCNM	AV-D37
X	POWER AMP	R 0293	88-128-100-080	0E	C-RES, 10-1/8W J	HRJNM	AV-D37
X	POWER AMP	R 0293	88-128-100-080	0E	C-RES, 10-1/8W J	HTNM	AV-D37
X	POWER AMP	R 0294	88-128-100-080	0E	C-RES, 10-1/8W J	HCNM	AV-D37
X	POWER AMP	R 0294	88-128-100-080	0E	C-RES, 10-1/8W J	HRJNM	AV-D37
X	POWER AMP	R 0294	88-128-100-080	0E	C-RES, 10-1/8W J	HTNM	AV-D37
X	POWER AMP	R 0295	88-128-100-080	0E	C-RES, 10-1/8W J	HCNM	AV-D37
X	POWER AMP	R 0295	88-128-100-080	0E	C-RES, 10-1/8W J	HRJNM	AV-D37
X	POWER AMP	R 0295	88-128-100-080	0E	C-RES, 10-1/8W J	HTNM	AV-D37
X	POWER AMP	R 0296	88-128-100-080	0E	C-RES, 10-1/8W J	HCNM	AV-D37
X	POWER AMP	R 0296	88-128-100-080	0E	C-RES, 10-1/8W J	HRJNM	AV-D37
X	POWER AMP	R 0296	88-128-100-080	0E	C-RES, 10-1/8W J	HTNM	AV-D37
X	POWER AMP	R 0297	88-121-100-080	0E	RES,10-1/8W J	HCNM	AV-D37
X	POWER AMP	R 0297	88-121-100-080	0E	RES,10-1/8W J	HRJNM	AV-D37
X	POWER AMP	R 0297	88-121-100-080	0E	RES,10-1/8W J	HTNM	AV-D37
X	POWER AMP	R 0298	88-121-100-080	0E	RES,10-1/8W J	HCNM	AV-D37
X	POWER AMP	R 0298	88-121-100-080	0E	RES,10-1/8W J	HRJNM	AV-D37
X	POWER AMP	R 0298	88-121-100-080	0E	RES,10-1/8W J	HTNM	AV-D37
X	POWER AMP	R 0299	88-128-122-080	0E	C-RES, 1.2K-1/8W J	HCNM	AV-D37
X	POWER AMP	R 0299	88-128-122-080	0E	C-RES, 1.2K-1/8W J	HRJNM	AV-D37
X	POWER AMP	R 0299	88-128-122-080	0E	C-RES, 1.2K-1/8W J	HTNM	AV-D37
X	POWER AMP	R 0301	88-118-222-080	0E	C-RES,S 2.2K-1/10W J	HCNM	AV-D37
X	POWER AMP	R 0301	88-118-222-080	0E	C-RES,S 2.2K-1/10W J	HRJNM	AV-D37
X	POWER AMP	R 0301	88-118-222-080	0E	C-RES,S 2.2K-1/10W J	HTNM	AV-D37
X	POWER AMP	R 0302	88-118-222-080	0E	C-RES,S 2.2K-1/10W J	HCNM	AV-D37
X	POWER AMP	R 0302	88-118-222-080	0E	C-RES,S 2.2K-1/10W J	HRJNM	AV-D37
X	POWER AMP	R 0302	88-118-222-080	0E	C-RES,S 2.2K-1/10W J	HTNM	AV-D37
X	POWER AMP	R 0305	88-118-223-080	0E	C-RES,S 22K-1/10W J	HCNM	AV-D37
X	POWER AMP	R 0305	88-118-223-080	0E	C-RES,S 22K-1/10W J	HRJNM	AV-D37
X	POWER AMP	R 0305	88-118-223-080	0E	C-RES,S 22K-1/10W J	HTNM	AV-D37
X	POWER AMP	R 0306	88-118-223-080	0E	C-RES,S 22K-1/10W J	HCNM	AV-D37
X	POWER AMP	R 0306	88-118-223-080	0E	C-RES,S 22K-1/10W J	HRJNM	AV-D37
X	POWER AMP	R 0306	88-118-223-080	0E	C-RES,S 22K-1/10W J	HTNM	AV-D37
X	POWER AMP	R 0307	88-118-101-080	0E	C-RES,S 100-1/10W J	HCNM	AV-D37
X	POWER AMP	R 0307	88-118-101-080	0E	C-RES,S 100-1/10W J	HRJNM	AV-D37
X	POWER AMP	R 0307	88-118-101-080	0E	C-RES,S 100-1/10W J	HTNM	AV-D37
X	POWER AMP	R 0308	88-118-101-080	0E	C-RES,S 100-1/10W J	HCNM	AV-D37
X	POWER AMP	R 0308	88-118-101-080	0E	C-RES,S 100-1/10W J	HRJNM	AV-D37
X	POWER AMP	R 0308	88-118-101-080	0E	C-RES,S 100-1/10W J	HTNM	AV-D37
X	POWER AMP	R 0309	88-118-333-080	0E	C-RES,S 33K-1/10W J	HCNM	AV-D37
X	POWER AMP	R 0309	88-118-333-080	0E	C-RES,S 33K-1/10W J	HRJNM	AV-D37
X	POWER AMP	R 0309	88-118-333-080	0E	C-RES,S 33K-1/10W J	HTNM	AV-D37
X	POWER AMP	R 0310	88-118-333-080	0E	C-RES,S 33K-1/10W J	HCNM	AV-D37
X	POWER AMP	R 0310	88-118-333-080	0E	C-RES,S 33K-1/10W J	HRJNM	AV-D37
X	POWER AMP	R 0310	88-118-333-080	0E	C-RES,S 33K-1/10W J	HTNM	AV-D37
X	POWER AMP	R 0311	88-118-000-080	0E	C-JUMPER,S	HCNM	AV-D37
X	POWER AMP	R 0311	88-118-000-080	0E	C-JUMPER,S	HRJNM	AV-D37
X	POWER AMP	R 0311	88-118-000-080	0E	C-JUMPER,S	HTNM	AV-D37
X	POWER AMP	R 0312	88-118-000-080	0E	C-JUMPER,S	HCNM	AV-D37



# PARTS LIST

! =  $\Delta$  SAFTY PARTS  
 C = Components marked

All components used on this model at the production line are shown in this service manual.

However, please note that not all components will be available as spare parts for after-sales service.

Components marked S and O are designated as spare parts for service and will be stocked at the spare parts centers.

Components marked X and R are not designated as spare parts for after sales service, and will not be stocked at the spare parts centers.

K NO. = Only use japanese.

! C	UNIT NAME	REF NO.	PARTS CODE	K NO.	DESCRIPTION	SUFFIX	MODEL NAME
X	POWER AMP	R 0312	88-118-000-080	0E	C-JUMPER,S	HRJNM	AV-D37
X	POWER AMP	R 0312	88-118-000-080	0E	C-JUMPER,S	HTNM	AV-D37
X	POWER AMP	R 0313	88-118-101-080	0E	C-RES,S 100-1/10W J	HCNM	AV-D37
X	POWER AMP	R 0313	88-118-101-080	0E	C-RES,S 100-1/10W J	HRJNM	AV-D37
X	POWER AMP	R 0313	88-118-101-080	0E	C-RES,S 100-1/10W J	HTNM	AV-D37
X	POWER AMP	R 0314	88-118-101-080	0E	C-RES,S 100-1/10W J	HCNM	AV-D37
X	POWER AMP	R 0314	88-118-101-080	0E	C-RES,S 100-1/10W J	HRJNM	AV-D37
X	POWER AMP	R 0314	88-118-101-080	0E	C-RES,S 100-1/10W J	HTNM	AV-D37
X	POWER AMP	R 0315	88-118-271-080	0E	C-RES,S 270-1/10W J	HCNM	AV-D37
X	POWER AMP	R 0315	88-118-271-080	0E	C-RES,S 270-1/10W J	HRJNM	AV-D37
X	POWER AMP	R 0315	88-118-271-080	0E	C-RES,S 270-1/10W J	HTNM	AV-D37
X	POWER AMP	R 0316	88-118-271-080	0E	C-RES,S 270-1/10W J	HCNM	AV-D37
X	POWER AMP	R 0316	88-118-271-080	0E	C-RES,S 270-1/10W J	HRJNM	AV-D37
X	POWER AMP	R 0316	88-118-271-080	0E	C-RES,S 270-1/10W J	HTNM	AV-D37
X	POWER AMP	R 0317	88-118-103-080	0E	C-RES,S 10K-1/10W J	HCNM	AV-D37
X	POWER AMP	R 0317	88-118-103-080	0E	C-RES,S 10K-1/10W J	HRJNM	AV-D37
X	POWER AMP	R 0317	88-118-103-080	0E	C-RES,S 10K-1/10W J	HTNM	AV-D37
X	POWER AMP	R 0318	88-118-103-080	0E	C-RES,S 10K-1/10W J	HCNM	AV-D37
X	POWER AMP	R 0318	88-118-103-080	0E	C-RES,S 10K-1/10W J	HRJNM	AV-D37
X	POWER AMP	R 0318	88-118-103-080	0E	C-RES,S 10K-1/10W J	HTNM	AV-D37
X	POWER AMP	R 0319	88-118-101-080	0E	C-RES,S 100-1/10W J	HCNM	AV-D37
X	POWER AMP	R 0319	88-118-101-080	0E	C-RES,S 100-1/10W J	HRJNM	AV-D37
X	POWER AMP	R 0319	88-118-101-080	0E	C-RES,S 100-1/10W J	HTNM	AV-D37
X	POWER AMP	R 0320	88-118-101-080	0E	C-RES,S 100-1/10W J	HCNM	AV-D37
X	POWER AMP	R 0320	88-118-101-080	0E	C-RES,S 100-1/10W J	HRJNM	AV-D37
X	POWER AMP	R 0320	88-118-101-080	0E	C-RES,S 100-1/10W J	HTNM	AV-D37
X	POWER AMP	R 0321	88-118-101-080	0E	C-RES,S 100-1/10W J	HCNM	AV-D37
X	POWER AMP	R 0321	88-118-101-080	0E	C-RES,S 100-1/10W J	HRJNM	AV-D37
X	POWER AMP	R 0321	88-118-101-080	0E	C-RES,S 100-1/10W J	HTNM	AV-D37
X	POWER AMP	R 0322	88-118-101-080	0E	C-RES,S 100-1/10W J	HCNM	AV-D37
X	POWER AMP	R 0322	88-118-101-080	0E	C-RES,S 100-1/10W J	HRJNM	AV-D37
X	POWER AMP	R 0322	88-118-101-080	0E	C-RES,S 100-1/10W J	HTNM	AV-D37
X	POWER AMP	R 0323	88-128-331-080	0E	C-RES, 330-1/8W J	HCNM	AV-D37
X	POWER AMP	R 0323	88-128-331-080	0E	C-RES, 330-1/8W J	HRJNM	AV-D37
X	POWER AMP	R 0323	88-128-331-080	0E	C-RES, 330-1/8W J	HTNM	AV-D37
X	POWER AMP	R 0324	88-128-391-080	0E	C-RES, 390-1/8W J	HCNM	AV-D37
X	POWER AMP	R 0324	88-128-391-080	0E	C-RES, 390-1/8W J	HRJNM	AV-D37
X	POWER AMP	R 0324	88-128-391-080	0E	C-RES, 390-1/8W J	HTNM	AV-D37
X	POWER AMP	R 0325	88-118-333-080	0E	C-RES,S 33K-1/10W J	HCNM	AV-D37
X	POWER AMP	R 0325	88-118-333-080	0E	C-RES,S 33K-1/10W J	HRJNM	AV-D37
X	POWER AMP	R 0325	88-118-333-080	0E	C-RES,S 33K-1/10W J	HTNM	AV-D37
X	POWER AMP	R 0326	88-118-333-080	0E	C-RES,S 33K-1/10W J	HCNM	AV-D37
X	POWER AMP	R 0326	88-118-333-080	0E	C-RES,S 33K-1/10W J	HRJNM	AV-D37
X	POWER AMP	R 0326	88-118-333-080	0E	C-RES,S 33K-1/10W J	HTNM	AV-D37
X	POWER AMP	R 0327	88-128-102-080	0E	C-RES, 1K-1/8W J	HCNM	AV-D37
X	POWER AMP	R 0327	88-128-102-080	0E	C-RES, 1K-1/8W J	HRJNM	AV-D37
X	POWER AMP	R 0327	88-128-102-080	0E	C-RES, 1K-1/8W J	HTNM	AV-D37
X	POWER AMP	R 0328	88-128-102-080	0E	C-RES, 1K-1/8W J	HCNM	AV-D37
X	POWER AMP	R 0328	88-128-102-080	0E	C-RES, 1K-1/8W J	HRJNM	AV-D37
X	POWER AMP	R 0328	88-128-102-080	0E	C-RES, 1K-1/8W J	HTNM	AV-D37
X	POWER AMP	R 0329	88-118-390-080	0E	C-RES,S 39-1/10W J	HCNM	AV-D37
X	POWER AMP	R 0329	88-118-390-080	0E	C-RES,S 39-1/10W J	HRJNM	AV-D37
X	POWER AMP	R 0329	88-118-390-080	0E	C-RES,S 39-1/10W J	HTNM	AV-D37
X	POWER AMP	R 0330	88-118-390-080	0E	C-RES,S 39-1/10W J	HCNM	AV-D37
X	POWER AMP	R 0330	88-118-390-080	0E	C-RES,S 39-1/10W J	HRJNM	AV-D37
X	POWER AMP	R 0330	88-118-390-080	0E	C-RES,S 39-1/10W J	HTNM	AV-D37
O	POWER AMP	R 0331	87-A00-571-050	0E	RES,M/F 0.15-2W J RZ	HCNM	AV-D37
O	POWER AMP	R 0331	87-A00-571-050	0E	RES,M/F 0.15-2W J RZ	HRJNM	AV-D37
O	POWER AMP	R 0331	87-A00-571-050	0E	RES,M/F 0.15-2W J RZ	HTNM	AV-D37
O	POWER AMP	R 0332	87-A00-571-050	0E	RES,M/F 0.15-2W J RZ	HCNM	AV-D37
O	POWER AMP	R 0332	87-A00-571-050	0E	RES,M/F 0.15-2W J RZ	HRJNM	AV-D37
O	POWER AMP	R 0332	87-A00-571-050	0E	RES,M/F 0.15-2W J RZ	HTNM	AV-D37
O	POWER AMP	R 0333	87-A00-571-050	0E	RES,M/F 0.15-2W J RZ	HCNM	AV-D37
O	POWER AMP	R 0333	87-A00-571-050	0E	RES,M/F 0.15-2W J RZ	HRJNM	AV-D37
O	POWER AMP	R 0333	87-A00-571-050	0E	RES,M/F 0.15-2W J RZ	HTNM	AV-D37
O	POWER AMP	R 0334	87-A00-571-050	0E	RES,M/F 0.15-2W J RZ	HCNM	AV-D37
O	POWER AMP	R 0334	87-A00-571-050	0E	RES,M/F 0.15-2W J RZ	HRJNM	AV-D37
O	POWER AMP	R 0334	87-A00-571-050	0E	RES,M/F 0.15-2W J RZ	HTNM	AV-D37
X	POWER AMP	R 0335	88-118-102-080	0E	C-RES,S 1K-1/10W J	HCNM	AV-D37
X	POWER AMP	R 0335	88-118-102-080	0E	C-RES,S 1K-1/10W J	HRJNM	AV-D37

# PARTS LIST

! =  $\Delta$  SAFTY PARTS  
 C = Components marked

All components used on this model at the production line are shown in this service manual.

However, please note that not all components will be available as spare parts for after-sales service.

Components marked S and O are designated as spare parts for service and will be stocked at the spare parts centers.

Components marked X and R are not designated as spare parts for after sales service, and will not be stocked at the spare parts centers.

K NO. = Only use japanese.

! C	UNIT NAME	REF NO.	PARTS CODE	K NO.	DESCRIPTION	SUFFIX	MODEL NAME
X	POWER AMP	R 0335	88-118-102-080	0E	C-RES,S 1K-1/10W J	HTNM	AV-D37
X	POWER AMP	R 0336	88-128-102-080	0E	C-RES, 1K-1/8W J	HCNM	AV-D37
X	POWER AMP	R 0336	88-128-102-080	0E	C-RES, 1K-1/8W J	HRJNM	AV-D37
X	POWER AMP	R 0336	88-128-102-080	0E	C-RES, 1K-1/8W J	HTNM	AV-D37
X	POWER AMP	R 0337	88-118-681-080	0E	C-RES,S 680-1/10W J	HCNM	AV-D37
X	POWER AMP	R 0337	88-118-681-080	0E	C-RES,S 680-1/10W J	HRJNM	AV-D37
X	POWER AMP	R 0337	88-118-681-080	0E	C-RES,S 680-1/10W J	HTNM	AV-D37
X	POWER AMP	R 0338	88-118-681-080	0E	C-RES,S 680-1/10W J	HCNM	AV-D37
X	POWER AMP	R 0338	88-118-681-080	0E	C-RES,S 680-1/10W J	HRJNM	AV-D37
X	POWER AMP	R 0338	88-118-681-080	0E	C-RES,S 680-1/10W J	HTNM	AV-D37
X	POWER AMP	R 0339	88-118-223-080	0E	C-RES,S 22K-1/10W J	HCNM	AV-D37
X	POWER AMP	R 0339	88-118-223-080	0E	C-RES,S 22K-1/10W J	HRJNM	AV-D37
X	POWER AMP	R 0339	88-118-223-080	0E	C-RES,S 22K-1/10W J	HTNM	AV-D37
X	POWER AMP	R 0340	88-118-223-080	0E	C-RES,S 22K-1/10W J	HCNM	AV-D37
X	POWER AMP	R 0340	88-118-223-080	0E	C-RES,S 22K-1/10W J	HRJNM	AV-D37
X	POWER AMP	R 0340	88-118-223-080	0E	C-RES,S 22K-1/10W J	HTNM	AV-D37
X	POWER AMP	R 0341	88-118-153-080	0E	C-RES,S 15K-1/10W J	HCNM	AV-D37
X	POWER AMP	R 0341	88-118-153-080	0E	C-RES,S 15K-1/10W J	HRJNM	AV-D37
X	POWER AMP	R 0341	88-118-153-080	0E	C-RES,S 15K-1/10W J	HTNM	AV-D37
X	POWER AMP	R 0342	88-118-153-080	0E	C-RES,S 15K-1/10W J	HCNM	AV-D37
X	POWER AMP	R 0342	88-118-153-080	0E	C-RES,S 15K-1/10W J	HRJNM	AV-D37
X	POWER AMP	R 0343	88-118-563-080	0E	C-RES,S 56K-1/10W J	HCNM	AV-D37
X	POWER AMP	R 0343	88-118-563-080	0E	C-RES,S 56K-1/10W J	HRJNM	AV-D37
X	POWER AMP	R 0343	88-118-563-080	0E	C-RES,S 56K-1/10W J	HTNM	AV-D37
X	POWER AMP	R 0344	88-118-563-080	0E	C-RES,S 56K-1/10W J	HCNM	AV-D37
X	POWER AMP	R 0344	88-118-563-080	0E	C-RES,S 56K-1/10W J	HRJNM	AV-D37
X	POWER AMP	R 0344	88-118-563-080	0E	C-RES,S 56K-1/10W J	HTNM	AV-D37
X	POWER AMP	R 0346	88-118-152-080	0E	C-RES,S 1.5K-1/10W J	HCNM	AV-D37
X	POWER AMP	R 0346	88-118-152-080	0E	C-RES,S 1.5K-1/10W J	HRJNM	AV-D37
X	POWER AMP	R 0346	88-118-152-080	0E	C-RES,S 1.5K-1/10W J	HTNM	AV-D37
X	POWER AMP	R 0347	88-128-681-080	0E	C-RES, 680-1/8W J	HCNM	AV-D37
X	POWER AMP	R 0347	88-128-681-080	0E	C-RES, 680-1/8W J	HRJNM	AV-D37
X	POWER AMP	R 0347	88-128-681-080	0E	C-RES, 680-1/8W J	HTNM	AV-D37
X	POWER AMP	R 0348	88-128-681-080	0E	C-RES, 680-1/8W J	HCNM	AV-D37
X	POWER AMP	R 0348	88-128-681-080	0E	C-RES, 680-1/8W J	HRJNM	AV-D37
X	POWER AMP	R 0348	88-128-681-080	0E	C-RES, 680-1/8W J	HTNM	AV-D37
X	POWER AMP	R 0349	88-128-681-080	0E	C-RES, 680-1/8W J	HCNM	AV-D37
X	POWER AMP	R 0349	88-128-681-080	0E	C-RES, 680-1/8W J	HRJNM	AV-D37
X	POWER AMP	R 0349	88-128-681-080	0E	C-RES, 680-1/8W J	HTNM	AV-D37
X	POWER AMP	R 0350	88-130-272-080	0E	RES, 2.7K-1/4W J	HCNM	AV-D37
X	POWER AMP	R 0350	88-130-272-080	0E	RES, 2.7K-1/4W J	HRJNM	AV-D37
X	POWER AMP	R 0350	88-130-272-080	0E	RES, 2.7K-1/4W J	HTNM	AV-D37
X	POWER AMP	R 0351	88-118-103-080	0E	C-RES,S 10K-1/10W J	HCNM	AV-D37
X	POWER AMP	R 0351	88-118-103-080	0E	C-RES,S 10K-1/10W J	HRJNM	AV-D37
X	POWER AMP	R 0351	88-118-103-080	0E	C-RES,S 10K-1/10W J	HTNM	AV-D37
X	POWER AMP	R 0352	88-118-472-080	0E	C-RES,S 4.7K-1/10W J	HCNM	AV-D37
X	POWER AMP	R 0352	88-118-472-080	0E	C-RES,S 4.7K-1/10W J	HRJNM	AV-D37
X	POWER AMP	R 0352	88-118-472-080	0E	C-RES,S 4.7K-1/10W J	HTNM	AV-D37
X	POWER AMP	R 0353	88-118-473-080	0E	C-RES,S 47K-1/10W J	HCNM	AV-D37
X	POWER AMP	R 0353	88-118-473-080	0E	C-RES,S 47K-1/10W J	HRJNM	AV-D37
X	POWER AMP	R 0353	88-118-473-080	0E	C-RES,S 47K-1/10W J	HTNM	AV-D37
X	POWER AMP	R 0354	88-118-473-080	0E	C-RES,S 47K-1/10W J	HCNM	AV-D37
X	POWER AMP	R 0354	88-118-473-080	0E	C-RES,S 47K-1/10W J	HRJNM	AV-D37
X	POWER AMP	R 0354	88-118-473-080	0E	C-RES,S 47K-1/10W J	HTNM	AV-D37
X	POWER AMP	R 0355	88-118-472-080	0E	C-RES,S 4.7K-1/10W J	HCNM	AV-D37
X	POWER AMP	R 0355	88-118-472-080	0E	C-RES,S 4.7K-1/10W J	HRJNM	AV-D37
X	POWER AMP	R 0355	88-118-472-080	0E	C-RES,S 4.7K-1/10W J	HTNM	AV-D37
X	POWER AMP	R 0356	88-118-472-080	0E	C-RES,S 4.7K-1/10W J	HCNM	AV-D37
X	POWER AMP	R 0356	88-118-472-080	0E	C-RES,S 4.7K-1/10W J	HRJNM	AV-D37
X	POWER AMP	R 0356	88-118-472-080	0E	C-RES,S 4.7K-1/10W J	HTNM	AV-D37
X	POWER AMP	R 0357	88-118-472-080	0E	C-RES,S 4.7K-1/10W J	HCNM	AV-D37
X	POWER AMP	R 0357	88-118-472-080	0E	C-RES,S 4.7K-1/10W J	HRJNM	AV-D37
X	POWER AMP	R 0357	88-118-472-080	0E	C-RES,S 4.7K-1/10W J	HTNM	AV-D37
X	POWER AMP	R 0358	88-118-473-080	0E	C-RES,S 47K-1/10W J	HCNM	AV-D37
X	POWER AMP	R 0358	88-118-473-080	0E	C-RES,S 47K-1/10W J	HRJNM	AV-D37
X	POWER AMP	R 0358	88-118-473-080	0E	C-RES,S 47K-1/10W J	HTNM	AV-D37
X	POWER AMP	R 0359	88-118-471-080	0E	C-RES,S 470-1/10W J	HCNM	AV-D37
X	POWER AMP	R 0359	88-118-471-080	0E	C-RES,S 470-1/10W J	HRJNM	AV-D37
X	POWER AMP	R 0359	88-118-471-080	0E	C-RES,S 470-1/10W J	HTNM	AV-D37

# PARTS LIST

! =  $\Delta$  SAFTY PARTS  
 C = Components marked

All components used on this model at the production line are shown in this service manual.

However, please note that not all components will be available as spare parts for after-sales service.

Components marked S and O are designated as spare parts for service and will be stocked at the spare parts centers.

Components marked X and R are not designated as spare parts for after sales service, and will not be stocked at the spare parts centers.

K NO. = Only use japanese.

! C	UNIT NAME	REF NO.	PARTS CODE	K NO.	DESCRIPTION	SUFFIX	MODEL NAME
X	POWER AMP	R 0360	88-118-122-080	0E	C-RES,S 1.2K-1/10W J	HCNM	AV-D37
X	POWER AMP	R 0360	88-118-122-080	0E	C-RES,S 1.2K-1/10W J	HRJNM	AV-D37
X	POWER AMP	R 0360	88-118-122-080	0E	C-RES,S 1.2K-1/10W J	HTNM	AV-D37
X	POWER AMP	R 0361	88-118-473-080	0E	C-RES,S 47K-1/10W J	HCNM	AV-D37
X	POWER AMP	R 0361	88-118-473-080	0E	C-RES,S 47K-1/10W J	HRJNM	AV-D37
X	POWER AMP	R 0361	88-118-473-080	0E	C-RES,S 47K-1/10W J	HTNM	AV-D37
X	POWER AMP	R 0362	88-118-473-080	0E	C-RES,S 47K-1/10W J	HCNM	AV-D37
X	POWER AMP	R 0362	88-118-473-080	0E	C-RES,S 47K-1/10W J	HRJNM	AV-D37
X	POWER AMP	R 0362	88-118-473-080	0E	C-RES,S 47K-1/10W J	HTNM	AV-D37
X	POWER AMP	R 0363	88-118-103-080	0E	C-RES,S 10K-1/10W J	HCNM	AV-D37
X	POWER AMP	R 0363	88-118-103-080	0E	C-RES,S 10K-1/10W J	HRJNM	AV-D37
X	POWER AMP	R 0363	88-118-103-080	0E	C-RES,S 10K-1/10W J	HTNM	AV-D37
X	POWER AMP	R 0364	88-128-472-080	0E	C-RES, 4.7K-1/8W J	HCNM	AV-D37
X	POWER AMP	R 0364	88-128-472-080	0E	C-RES, 4.7K-1/8W J	HRJNM	AV-D37
X	POWER AMP	R 0364	88-128-472-080	0E	C-RES, 4.7K-1/8W J	HTNM	AV-D37
X	POWER AMP	R 0365	88-130-272-080	0E	RES, 2.7K-1/4W J	HCNM	AV-D37
X	POWER AMP	R 0365	88-130-272-080	0E	RES, 2.7K-1/4W J	HRJNM	AV-D37
X	POWER AMP	R 0365	88-130-272-080	0E	RES, 2.7K-1/4W J	HTNM	AV-D37
X	POWER AMP	R 0366	88-118-272-080	0E	C-RES,S 2.7K-1/10W J	HCNM	AV-D37
X	POWER AMP	R 0366	88-118-272-080	0E	C-RES,S 2.7K-1/10W J	HRJNM	AV-D37
X	POWER AMP	R 0366	88-118-272-080	0E	C-RES,S 2.7K-1/10W J	HTNM	AV-D37
X	POWER AMP	R 0366	88-118-272-080	0E	C-RES,S 2.7K-1/10W J	HTNM	AV-D37
X	POWER AMP	R 0367	88-128-153-080	0E	C-RES, 15K-1/8W J	HCNM	AV-D37
X	POWER AMP	R 0367	88-128-153-080	0E	C-RES, 15K-1/8W J	HRJNM	AV-D37
X	POWER AMP	R 0367	88-128-153-080	0E	C-RES, 15K-1/8W J	HTNM	AV-D37
X	POWER AMP	R 0368	88-118-153-080	0E	C-RES,S 15K-1/10W J	HCNM	AV-D37
X	POWER AMP	R 0368	88-118-153-080	0E	C-RES,S 15K-1/10W J	HRJNM	AV-D37
X	POWER AMP	R 0368	88-118-153-080	0E	C-RES,S 15K-1/10W J	HTNM	AV-D37
X	POWER AMP	R 0369	88-118-472-080	0E	C-RES,S 4.7K-1/10W J	HCNM	AV-D37
X	POWER AMP	R 0369	88-118-472-080	0E	C-RES,S 4.7K-1/10W J	HRJNM	AV-D37
X	POWER AMP	R 0369	88-118-472-080	0E	C-RES,S 4.7K-1/10W J	HTNM	AV-D37
X	POWER AMP	R 0372	88-118-103-080	0E	C-RES,S 10K-1/10W J	HCNM	AV-D37
X	POWER AMP	R 0372	88-118-103-080	0E	C-RES,S 10K-1/10W J	HRJNM	AV-D37
X	POWER AMP	R 0372	88-118-103-080	0E	C-RES,S 10K-1/10W J	HTNM	AV-D37
X	POWER AMP	R 0373	88-118-105-080	0E	C-RES,S 1M-1/10W J	HCNM	AV-D37
X	POWER AMP	R 0373	88-118-105-080	0E	C-RES,S 1M-1/10W J	HRJNM	AV-D37
X	POWER AMP	R 0373	88-118-105-080	0E	C-RES,S 1M-1/10W J	HTNM	AV-D37
X	POWER AMP	R 0374	88-118-683-080	0E	C-RES,S 68K-1/10W J	HCNM	AV-D37
X	POWER AMP	R 0374	88-118-683-080	0E	C-RES,S 68K-1/10W J	HRJNM	AV-D37
X	POWER AMP	R 0374	88-118-683-080	0E	C-RES,S 68K-1/10W J	HTNM	AV-D37
X	POWER AMP	R 0375	88-128-331-080	0E	C-RES, 330-1/8W J	HCNM	AV-D37
X	POWER AMP	R 0375	88-128-331-080	0E	C-RES, 330-1/8W J	HRJNM	AV-D37
X	POWER AMP	R 0375	88-128-331-080	0E	C-RES, 330-1/8W J	HTNM	AV-D37
X	POWER AMP	R 0376	88-128-271-080	0E	C-RES, 270-1/8W J	HCNM	AV-D37
X	POWER AMP	R 0376	88-128-271-080	0E	C-RES, 270-1/8W J	HRJNM	AV-D37
X	POWER AMP	R 0376	88-128-271-080	0E	C-RES, 270-1/8W J	HTNM	AV-D37
X	POWER AMP	R 0381	88-128-391-080	0E	C-RES, 390-1/8W J	HCNM	AV-D37
X	POWER AMP	R 0381	88-128-391-080	0E	C-RES, 390-1/8W J	HRJNM	AV-D37
X	POWER AMP	R 0381	88-128-391-080	0E	C-RES, 390-1/8W J	HTNM	AV-D37
X	POWER AMP	R 0382	88-128-391-080	0E	C-RES, 390-1/8W J	HCNM	AV-D37
X	POWER AMP	R 0382	88-128-391-080	0E	C-RES, 390-1/8W J	HRJNM	AV-D37
X	POWER AMP	R 0382	88-128-391-080	0E	C-RES, 390-1/8W J	HTNM	AV-D37
X	POWER AMP	R 0383	88-118-000-080	0E	C-JUMPER,S	HCNM	AV-D37
X	POWER AMP	R 0383	88-118-000-080	0E	C-JUMPER,S	HRJNM	AV-D37
X	POWER AMP	R 0383	88-118-000-080	0E	C-JUMPER,S	HTNM	AV-D37
X	POWER AMP	R 0384	88-118-000-080	0E	C-JUMPER,S	HCNM	AV-D37
X	POWER AMP	R 0384	88-118-000-080	0E	C-JUMPER,S	HRJNM	AV-D37
X	POWER AMP	R 0384	88-118-000-080	0E	C-JUMPER,S	HTNM	AV-D37
X	POWER AMP	R 0387	88-118-471-080	0E	C-RES,S 470-1/10W J	HCNM	AV-D37
X	POWER AMP	R 0387	88-118-471-080	0E	C-RES,S 470-1/10W J	HRJNM	AV-D37
X	POWER AMP	R 0387	88-118-471-080	0E	C-RES,S 470-1/10W J	HTNM	AV-D37
X	POWER AMP	R 0388	88-121-122-080	0E	RES,1.2K-1/8W J	HCNM	AV-D37
X	POWER AMP	R 0388	88-121-122-080	0E	RES,1.2K-1/8W J	HRJNM	AV-D37
X	POWER AMP	R 0388	88-121-122-080	0E	RES,1.2K-1/8W J	HTNM	AV-D37
X	POWER AMP	R 0389	88-118-103-080	0E	C-RES,S 10K-1/10W J	HCNM	AV-D37
X	POWER AMP	R 0389	88-118-103-080	0E	C-RES,S 10K-1/10W J	HRJNM	AV-D37
X	POWER AMP	R 0389	88-118-103-080	0E	C-RES,S 10K-1/10W J	HTNM	AV-D37
X	POWER AMP	R 0390	88-118-103-080	0E	C-RES,S 10K-1/10W J	HCNM	AV-D37
X	POWER AMP	R 0390	88-118-103-080	0E	C-RES,S 10K-1/10W J	HRJNM	AV-D37
X	POWER AMP	R 0390	88-118-103-080	0E	C-RES,S 10K-1/10W J	HTNM	AV-D37
X	POWER AMP	R 0391	88-128-100-080	0E	C-RES, 10-1/8W J	HCNM	AV-D37

# PARTS LIST

! =  $\Delta$  SAFTY PARTS  
 C = Components marked

All components used on this model at the production line are shown in this service manual.

However, please note that not all components will be available as spare parts for after-sales service.

Components marked S and O are designated as spare parts for service and will be stocked at the spare parts centers.

Components marked X and R are not designated as spare parts for after sales service, and will not be stocked at the spare parts centers.

K NO. = Only use Japanese.

! C	UNIT NAME	REF NO.	PARTS CODE	K NO.	DESCRIPTION	SUFFIX	MODEL NAME
X	POWER AMP	R 0391	88-128-100-080	0E	C-RES, 10-1/8W J	HRJNM	AV-D37
X	POWER AMP	R 0391	88-128-100-080	0E	C-RES, 10-1/8W J	HTNM	AV-D37
X	POWER AMP	R 0392	88-128-100-080	0E	C-RES, 10-1/8W J	HCNM	AV-D37
X	POWER AMP	R 0392	88-128-100-080	0E	C-RES, 10-1/8W J	HRJNM	AV-D37
X	POWER AMP	R 0392	88-128-100-080	0E	C-RES, 10-1/8W J	HTNM	AV-D37
X	POWER AMP	R 0393	88-128-100-080	0E	C-RES, 10-1/8W J	HCNM	AV-D37
X	POWER AMP	R 0393	88-128-100-080	0E	C-RES, 10-1/8W J	HRJNM	AV-D37
X	POWER AMP	R 0393	88-128-100-080	0E	C-RES, 10-1/8W J	HTNM	AV-D37
X	POWER AMP	R 0394	88-128-100-080	0E	C-RES, 10-1/8W J	HCNM	AV-D37
X	POWER AMP	R 0394	88-128-100-080	0E	C-RES, 10-1/8W J	HRJNM	AV-D37
X	POWER AMP	R 0394	88-128-100-080	0E	C-RES, 10-1/8W J	HTNM	AV-D37
X	POWER AMP	R 0395	88-121-221-080	0E	RES,220-1/8W J	HCNM	AV-D37
X	POWER AMP	R 0395	88-121-221-080	0E	RES,220-1/8W J	HRJNM	AV-D37
X	POWER AMP	R 0395	88-121-221-080	0E	RES,220-1/8W J	HTNM	AV-D37
X	POWER AMP	R 0396	88-121-122-080	0E	RES,1.2K-1/8W J	HCNM	AV-D37
X	POWER AMP	R 0396	88-121-122-080	0E	RES,1.2K-1/8W J	HRJNM	AV-D37
X	POWER AMP	R 0396	88-121-122-080	0E	RES,1.2K-1/8W J	HTNM	AV-D37
X	POWER AMP	R 0397	88-121-222-080	0E	RES,2.2K-1/8W J	HCNM	AV-D37
X	POWER AMP	R 0397	88-121-222-080	0E	RES,2.2K-1/8W J	HRJNM	AV-D37
X	POWER AMP	R 0397	88-121-222-080	0E	RES,2.2K-1/8W J	HTNM	AV-D37
X	POWER AMP	R 0398	88-121-222-080	0E	RES,2.2K-1/8W J	HCNM	AV-D37
X	POWER AMP	R 0398	88-121-222-080	0E	RES,2.2K-1/8W J	HRJNM	AV-D37
X	POWER AMP	R 0398	88-121-222-080	0E	RES,2.2K-1/8W J	HTNM	AV-D37
X	POWER AMP	R 0399	88-121-221-080	0E	RES,220-1/8W J	HCNM	AV-D37
X	POWER AMP	R 0399	88-121-221-080	0E	RES,220-1/8W J	HRJNM	AV-D37
X	POWER AMP	R 0399	88-121-221-080	0E	RES,220-1/8W J	HTNM	AV-D37
X	POWER AMP	R 0401	88-118-222-080	0E	C-RES,S 2.2K-1/10W J	HCNM	AV-D37
X	POWER AMP	R 0401	88-118-222-080	0E	C-RES,S 2.2K-1/10W J	HRJNM	AV-D37
X	POWER AMP	R 0401	88-118-222-080	0E	C-RES,S 2.2K-1/10W J	HTNM	AV-D37
X	POWER AMP	R 0403	88-118-223-080	0E	C-RES,S 22K-1/10W J	HCNM	AV-D37
X	POWER AMP	R 0403	88-118-223-080	0E	C-RES,S 22K-1/10W J	HRJNM	AV-D37
X	POWER AMP	R 0403	88-118-223-080	0E	C-RES,S 22K-1/10W J	HTNM	AV-D37
X	POWER AMP	R 0404	88-118-101-080	0E	C-RES,S 100-1/10W J	HCNM	AV-D37
X	POWER AMP	R 0404	88-118-101-080	0E	C-RES,S 100-1/10W J	HRJNM	AV-D37
X	POWER AMP	R 0404	88-118-101-080	0E	C-RES,S 100-1/10W J	HTNM	AV-D37
X	POWER AMP	R 0405	88-118-223-080	0E	C-RES,S 22K-1/10W J	HCNM	AV-D37
X	POWER AMP	R 0405	88-118-223-080	0E	C-RES,S 22K-1/10W J	HRJNM	AV-D37
X	POWER AMP	R 0405	88-118-223-080	0E	C-RES,S 22K-1/10W J	HTNM	AV-D37
X	POWER AMP	R 0406	88-128-331-080	0E	C-RES, 330-1/8W J	HCNM	AV-D37
X	POWER AMP	R 0406	88-128-331-080	0E	C-RES, 330-1/8W J	HRJNM	AV-D37
X	POWER AMP	R 0406	88-128-331-080	0E	C-RES, 330-1/8W J	HTNM	AV-D37
X	POWER AMP	R 0407	88-118-101-080	0E	C-RES,S 100-1/10W J	HCNM	AV-D37
X	POWER AMP	R 0407	88-118-101-080	0E	C-RES,S 100-1/10W J	HRJNM	AV-D37
X	POWER AMP	R 0407	88-118-101-080	0E	C-RES,S 100-1/10W J	HTNM	AV-D37
X	POWER AMP	R 0408	88-118-821-080	0E	C-RES,S 820-1/10W J	HCNM	AV-D37
X	POWER AMP	R 0408	88-118-821-080	0E	C-RES,S 820-1/10W J	HRJNM	AV-D37
X	POWER AMP	R 0408	88-118-821-080	0E	C-RES,S 820-1/10W J	HTNM	AV-D37
X	POWER AMP	R 0409	88-118-103-080	0E	C-RES,S 10K-1/10W J	HCNM	AV-D37
X	POWER AMP	R 0409	88-118-103-080	0E	C-RES,S 10K-1/10W J	HRJNM	AV-D37
X	POWER AMP	R 0409	88-118-103-080	0E	C-RES,S 10K-1/10W J	HTNM	AV-D37
X	POWER AMP	R 0410	88-128-101-080	0E	C-RES, 100-1/8W J	HCNM	AV-D37
X	POWER AMP	R 0410	88-128-101-080	0E	C-RES, 100-1/8W J	HRJNM	AV-D37
X	POWER AMP	R 0410	88-128-101-080	0E	C-RES, 100-1/8W J	HTNM	AV-D37
X	POWER AMP	R 0411	88-118-101-080	0E	C-RES,S 100-1/10W J	HCNM	AV-D37
X	POWER AMP	R 0411	88-118-101-080	0E	C-RES,S 100-1/10W J	HRJNM	AV-D37
X	POWER AMP	R 0411	88-118-101-080	0E	C-RES,S 100-1/10W J	HTNM	AV-D37
X	POWER AMP	R 0412	88-128-331-080	0E	C-RES, 330-1/8W J	HCNM	AV-D37
X	POWER AMP	R 0412	88-128-331-080	0E	C-RES, 330-1/8W J	HRJNM	AV-D37
X	POWER AMP	R 0412	88-128-331-080	0E	C-RES, 330-1/8W J	HTNM	AV-D37
X	POWER AMP	R 0413	88-118-223-080	0E	C-RES,S 22K-1/10W J	HCNM	AV-D37
X	POWER AMP	R 0413	88-118-223-080	0E	C-RES,S 22K-1/10W J	HRJNM	AV-D37
X	POWER AMP	R 0413	88-118-223-080	0E	C-RES,S 22K-1/10W J	HTNM	AV-D37
X	POWER AMP	R 0414	88-121-102-080	0E	RES,1K-1/8W J	HCNM	AV-D37
X	POWER AMP	R 0414	88-121-102-080	0E	RES,1K-1/8W J	HRJNM	AV-D37
X	POWER AMP	R 0414	88-121-102-080	0E	RES,1K-1/8W J	HTNM	AV-D37
X	POWER AMP	R 0415	88-118-390-080	0E	C-RES,S 39-1/10W J	HCNM	AV-D37
X	POWER AMP	R 0415	88-118-390-080	0E	C-RES,S 39-1/10W J	HRJNM	AV-D37
X	POWER AMP	R 0415	88-118-390-080	0E	C-RES,S 39-1/10W J	HTNM	AV-D37
O	POWER AMP	R 0416	87-A00-571-050	0E	RES,M/F 0.15-2W J RZ	HCNM	AV-D37
O	POWER AMP	R 0416	87-A00-571-050	0E	RES,M/F 0.15-2W J RZ	HRJNM	AV-D37

# PARTS LIST

! =  $\Delta$  SAFTY PARTS  
 C = Components marked

All components used on this model at the production line are shown in this service manual.

However, please note that not all components will be available as spare parts for after-sales service.

Components marked S and O are designated as spare parts for service and will be stocked at the spare parts centers.

Components marked X and R are not designated as spare parts for after sales service, and will not be stocked at the spare parts centers.

K NO. = Only use japanese.

! C	UNIT NAME	REF NO.	PARTS CODE	K NO.	DESCRIPTION	SUFFIX	MODEL NAME
O	POWER AMP	R 0416	87-A00-571-050	0E	RES,M/F 0.15-2W J RZ	HTNM	AV-D37
O	POWER AMP	R 0417	87-A00-571-050	0E	RES,M/F 0.15-2W J RZ	HCNM	AV-D37
O	POWER AMP	R 0417	87-A00-571-050	0E	RES,M/F 0.15-2W J RZ	HRJNM	AV-D37
O	POWER AMP	R 0417	87-A00-571-050	0E	RES,M/F 0.15-2W J RZ	HTNM	AV-D37
X	POWER AMP	R 0418	88-118-102-080	0E	C-RES,S 1K-1/10W J	HCNM	AV-D37
X	POWER AMP	R 0418	88-118-102-080	0E	C-RES,S 1K-1/10W J	HRJNM	AV-D37
X	POWER AMP	R 0418	88-118-102-080	0E	C-RES,S 1K-1/10W J	HTNM	AV-D37
X	POWER AMP	R 0419	88-118-681-080	0E	C-RES,S 680-1/10W J	HCNM	AV-D37
X	POWER AMP	R 0419	88-118-681-080	0E	C-RES,S 680-1/10W J	HRJNM	AV-D37
X	POWER AMP	R 0419	88-118-681-080	0E	C-RES,S 680-1/10W J	HTNM	AV-D37
X	POWER AMP	R 0420	88-128-223-080	0E	C-RES, 22K-1/8W J	HCNM	AV-D37
X	POWER AMP	R 0420	88-128-223-080	0E	C-RES, 22K-1/8W J	HRJNM	AV-D37
X	POWER AMP	R 0420	88-128-223-080	0E	C-RES, 22K-1/8W J	HTNM	AV-D37
X	POWER AMP	R 0421	88-118-153-080	0E	C-RES,S 15K-1/10W J	HCNM	AV-D37
X	POWER AMP	R 0421	88-118-153-080	0E	C-RES,S 15K-1/10W J	HRJNM	AV-D37
X	POWER AMP	R 0421	88-118-153-080	0E	C-RES,S 15K-1/10W J	HTNM	AV-D37
X	POWER AMP	R 0422	88-128-681-080	0E	C-RES, 680-1/8W J	HCNM	AV-D37
X	POWER AMP	R 0422	88-128-681-080	0E	C-RES, 680-1/8W J	HRJNM	AV-D37
X	POWER AMP	R 0422	88-128-681-080	0E	C-RES, 680-1/8W J	HTNM	AV-D37
X	POWER AMP	R 0423	88-118-152-080	0E	C-RES,S 1.5K-1/10W J	HCNM	AV-D37
X	POWER AMP	R 0423	88-118-152-080	0E	C-RES,S 1.5K-1/10W J	HRJNM	AV-D37
X	POWER AMP	R 0423	88-118-152-080	0E	C-RES,S 1.5K-1/10W J	HTNM	AV-D37
O	POWER AMP	R 0424	87-A00-571-050	0E	RES,M/F 0.15-2W J RZ	HCNM	AV-D37
O	POWER AMP	R 0424	87-A00-571-050	0E	RES,M/F 0.15-2W J RZ	HRJNM	AV-D37
O	POWER AMP	R 0424	87-A00-571-050	0E	RES,M/F 0.15-2W J RZ	HTNM	AV-D37
X	POWER AMP	R 0425	88-128-681-080	0E	C-RES, 680-1/8W J	HCNM	AV-D37
X	POWER AMP	R 0425	88-128-681-080	0E	C-RES, 680-1/8W J	HRJNM	AV-D37
X	POWER AMP	R 0425	88-128-681-080	0E	C-RES, 680-1/8W J	HTNM	AV-D37
X	POWER AMP	R 0426	88-128-681-080	0E	C-RES, 680-1/8W J	HCNM	AV-D37
X	POWER AMP	R 0426	88-128-681-080	0E	C-RES, 680-1/8W J	HRJNM	AV-D37
X	POWER AMP	R 0426	88-128-681-080	0E	C-RES, 680-1/8W J	HTNM	AV-D37
X	POWER AMP	R 0426	88-128-681-080	0E	C-RES, 680-1/8W J	HRJNM	AV-D37
X	POWER AMP	R 0426	88-128-681-080	0E	C-RES, 680-1/8W J	HTNM	AV-D37
X	POWER AMP	R 0426	88-128-681-080	0E	C-RES, 680-1/8W J	HRJNM	AV-D37
X	POWER AMP	R 0426	88-128-681-080	0E	C-RES, 680-1/8W J	HTNM	AV-D37
X	POWER AMP	R 0427	88-130-272-080	0E	RES, 2.7K-1/4W J	HCNM	AV-D37
X	POWER AMP	R 0427	88-130-272-080	0E	RES, 2.7K-1/4W J	HRJNM	AV-D37
X	POWER AMP	R 0427	88-130-272-080	0E	RES, 2.7K-1/4W J	HTNM	AV-D37
X	POWER AMP	R 0427	88-130-272-080	0E	RES, 2.7K-1/4W J	HRJNM	AV-D37
X	POWER AMP	R 0427	88-130-272-080	0E	RES, 2.7K-1/4W J	HTNM	AV-D37
X	POWER AMP	R 0428	88-118-103-080	0E	C-RES,S 10K-1/10W J	HCNM	AV-D37
X	POWER AMP	R 0428	88-118-103-080	0E	C-RES,S 10K-1/10W J	HRJNM	AV-D37
X	POWER AMP	R 0428	88-118-103-080	0E	C-RES,S 10K-1/10W J	HTNM	AV-D37
X	POWER AMP	R 0428	88-118-103-080	0E	C-RES,S 10K-1/10W J	HRJNM	AV-D37
X	POWER AMP	R 0428	88-118-103-080	0E	C-RES,S 10K-1/10W J	HTNM	AV-D37
X	POWER AMP	R 0429	88-118-563-080	0E	C-RES,S 56K-1/10W J	HCNM	AV-D37
X	POWER AMP	R 0429	88-118-563-080	0E	C-RES,S 56K-1/10W J	HRJNM	AV-D37
X	POWER AMP	R 0429	88-118-563-080	0E	C-RES,S 56K-1/10W J	HTNM	AV-D37
X	POWER AMP	R 0429	88-118-563-080	0E	C-RES,S 56K-1/10W J	HRJNM	AV-D37
X	POWER AMP	R 0429	88-118-563-080	0E	C-RES,S 56K-1/10W J	HTNM	AV-D37
X	POWER AMP	R 0430	88-118-472-080	0E	C-RES,S 4.7K-1/10W J	HCNM	AV-D37
X	POWER AMP	R 0430	88-118-472-080	0E	C-RES,S 4.7K-1/10W J	HRJNM	AV-D37
X	POWER AMP	R 0430	88-118-472-080	0E	C-RES,S 4.7K-1/10W J	HTNM	AV-D37
X	POWER AMP	R 0430	88-118-472-080	0E	C-RES,S 4.7K-1/10W J	HRJNM	AV-D37
X	POWER AMP	R 0430	88-118-472-080	0E	C-RES,S 4.7K-1/10W J	HTNM	AV-D37
X	POWER AMP	R 0431	88-118-473-080	0E	C-RES,S 47K-1/10W J	HCNM	AV-D37
X	POWER AMP	R 0431	88-118-473-080	0E	C-RES,S 47K-1/10W J	HRJNM	AV-D37
X	POWER AMP	R 0431	88-118-473-080	0E	C-RES,S 47K-1/10W J	HTNM	AV-D37
X	POWER AMP	R 0431	88-118-473-080	0E	C-RES,S 47K-1/10W J	HRJNM	AV-D37
X	POWER AMP	R 0431	88-118-473-080	0E	C-RES,S 47K-1/10W J	HTNM	AV-D37
X	POWER AMP	R 0432	88-128-222-080	0E	C-RES, 2.2K-1/8W J	HCNM	AV-D37
X	POWER AMP	R 0432	88-128-222-080	0E	C-RES, 2.2K-1/8W J	HRJNM	AV-D37
X	POWER AMP	R 0432	88-128-222-080	0E	C-RES, 2.2K-1/8W J	HTNM	AV-D37
X	POWER AMP	R 0432	88-128-222-080	0E	C-RES, 2.2K-1/8W J	HRJNM	AV-D37
X	POWER AMP	R 0432	88-128-222-080	0E	C-RES, 2.2K-1/8W J	HTNM	AV-D37
X	POWER AMP	R 0433	88-121-122-080	0E	RES,1.2K-1/8W J	HCNM	AV-D37
X	POWER AMP	R 0433	88-121-122-080	0E	RES,1.2K-1/8W J	HRJNM	AV-D37
X	POWER AMP	R 0433	88-121-122-080	0E	RES,1.2K-1/8W J	HTNM	AV-D37
X	POWER AMP	R 0433	88-121-122-080	0E	RES,1.2K-1/8W J	HRJNM	AV-D37
X	POWER AMP	R 0433	88-121-122-080	0E	RES,1.2K-1/8W J	HTNM	AV-D37
X	POWER AMP	R 0434	88-118-472-080	0E	C-RES,S 4.7K-1/10W J	HCNM	AV-D37
X	POWER AMP	R 0434	88-118-472-080	0E	C-RES,S 4.7K-1/10W J	HRJNM	AV-D37
X	POWER AMP	R 0434	88-118-472-080	0E	C-RES,S 4.7K-1/10W J	HTNM	AV-D37
X	POWER AMP	R 0434	88-118-472-080	0E	C-RES,S 4.7K-1/10W J	HRJNM	AV-D37
X	POWER AMP	R 0434	88-118-472-080	0E	C-RES,S 4.7K-1/10W J	HTNM	AV-D37
X	POWER AMP	R 0435	88-128-222-080	0E	C-RES, 2.2K-1/8W J	HCNM	AV-D37
X	POWER AMP	R 0435	88-128-222-080	0E	C-RES, 2.2K-1/8W J	HRJNM	AV-D37
X	POWER AMP	R 0435	88-128-222-080	0E	C-RES, 2.2K-1/8W J	HTNM	AV-D37
X	POWER AMP	R 0435	88-128-222-080	0E	C-RES, 2.2K-1/8W J	HRJNM	AV-D37
X	POWER AMP	R 0435	88-128-222-080	0E	C-RES, 2.2K-1/8W J	HTNM	AV-D37
X	POWER AMP	R 0436	88-118-473-080	0E	C-RES,S 47K-1/10W J	HCNM	AV-D37
X	POWER AMP	R 0436	88-118-473-080	0E	C-RES,S 47K-1/10W J	HRJNM	AV-D37
X	POWER AMP	R 0436	88-118-473-080	0E	C-RES,S 47K-1/10W J	HTNM	AV-D37
X	POWER AMP	R 0436	88-118-473-080	0E	C-RES,S 47K-1/10W J	HRJNM	AV-D37
X	POWER AMP	R 0436	88-118-473-080	0E	C-RES,S 47K-1/10W J	HTNM	AV-D37
X	POWER AMP	R 0437	88-128-471-080	0E	C-RES, 470-1/8W J	HCNM	AV-D37
X	POWER AMP	R 0437	88-128-471-080	0E	C-RES, 470-1/8W J	HRJNM	AV-D37
X	POWER AMP	R 0437	88-128-471-080	0E	C-RES, 470-1/8W J	HTNM	AV-D37
X	POWER AMP	R 0437	88-128-471-080	0E	C-RES, 470-1/8W J	HRJNM	AV-D37
X	POWER AMP	R 0437	88-128-471-080	0E	C-RES, 470-1/8W J	HTNM	AV-D37
X	POWER AMP	R 0438	88-118-272-080	0E	C-RES,S 2.7K-1/10W J	HCNM	AV-D37
X	POWER AMP	R 0438	88-118-272-080	0E	C-RES,S 2.7K-1/10W J	HRJNM	AV-D37
X	POWER AMP	R 0438	88-118-272-080	0E	C-RES,S 2.7K-1/10W J	HTNM	AV-D37
X	POWER AMP	R 0438	88-118-272-080	0E	C-RES,S 2.7K-1/10W J	HRJNM	AV-D37
X	POWER AMP	R 0438	88-118-272-080	0E	C-RES,S 2.7K-1/10W J	HTNM	AV-D37
X	POWER AMP	R 0439	88-118-473-080	0E	C-RES,S 47K-1/10W J	HCNM	AV-D37
X	POWER AMP	R 0439	88-118-473-080	0E	C-RES,S 47K-1/10W J	HRJNM	AV-D37
X	POWER AMP	R 0439	88-118-473-080	0E	C-RES,S 47K-1/10W J	HTNM	AV-D37
X	POWER AMP	R 0439	88-118-473-080	0E	C-RES,S 47K-1/10W J	HRJNM	AV-D37
X	POWER AMP	R 0439	88-118-473-080	0E	C-RES,S 47K-1/10W J	HTNM	AV-D37

# PARTS LIST

! =  $\Delta$  SAFTY PARTS  
 C = Components marked

All components used on this model at the production line are shown in this service manual.

However, please note that not all components will be available as spare parts for after-sales service.

Components marked S and O are designated as spare parts for service and will be stocked at the spare parts centers.

Components marked X and R are not designated as spare parts for after sales service, and will not be stocked at the spare parts centers.

K NO. = Only use japanese.

! C	UNIT NAME	REF NO.	PARTS CODE	K NO.	DESCRIPTION	SUFFIX	MODEL NAME
X	POWER AMP	R 0440	88-118-000-080	0E	C-JUMPER,S	HCNM	AV-D37
X	POWER AMP	R 0440	88-118-000-080	0E	C-JUMPER,S	HRJNM	AV-D37
X	POWER AMP	R 0440	88-118-000-080	0E	C-JUMPER,S	HTNM	AV-D37
X	POWER AMP	R 0441	88-118-103-080	0E	C-RES,S 10K-1/10W J	HCNM	AV-D37
X	POWER AMP	R 0441	88-118-103-080	0E	C-RES,S 10K-1/10W J	HRJNM	AV-D37
X	POWER AMP	R 0441	88-118-103-080	0E	C-RES,S 10K-1/10W J	HTNM	AV-D37
X	POWER AMP	R 0442	88-128-472-080	0E	C-RES, 4.7K-1/8W J	HCNM	AV-D37
X	POWER AMP	R 0442	88-128-472-080	0E	C-RES, 4.7K-1/8W J	HRJNM	AV-D37
X	POWER AMP	R 0442	88-128-472-080	0E	C-RES, 4.7K-1/8W J	HTNM	AV-D37
X	POWER AMP	R 0443	88-130-272-080	0E	RES, 2.7K-1/4W J	HCNM	AV-D37
X	POWER AMP	R 0443	88-130-272-080	0E	RES, 2.7K-1/4W J	HRJNM	AV-D37
X	POWER AMP	R 0443	88-130-272-080	0E	RES, 2.7K-1/4W J	HTNM	AV-D37
X	POWER AMP	R 0444	88-118-272-080	0E	C-RES,S 2.7K-1/10W J	HCNM	AV-D37
X	POWER AMP	R 0444	88-118-272-080	0E	C-RES,S 2.7K-1/10W J	HRJNM	AV-D37
X	POWER AMP	R 0444	88-118-272-080	0E	C-RES,S 2.7K-1/10W J	HTNM	AV-D37
X	POWER AMP	R 0445	88-118-103-080	0E	C-RES,S 10K-1/10W J	HCNM	AV-D37
X	POWER AMP	R 0445	88-118-103-080	0E	C-RES,S 10K-1/10W J	HRJNM	AV-D37
X	POWER AMP	R 0445	88-118-103-080	0E	C-RES,S 10K-1/10W J	HTNM	AV-D37
X	POWER AMP	R 0446	88-118-105-080	0E	C-RES,S 1M-1/10W J	HCNM	AV-D37
X	POWER AMP	R 0446	88-118-105-080	0E	C-RES,S 1M-1/10W J	HRJNM	AV-D37
X	POWER AMP	R 0446	88-118-105-080	0E	C-RES,S 1M-1/10W J	HTNM	AV-D37
X	POWER AMP	R 0447	88-118-683-080	0E	C-RES,S 68K-1/10W J	HCNM	AV-D37
X	POWER AMP	R 0447	88-118-683-080	0E	C-RES,S 68K-1/10W J	HRJNM	AV-D37
X	POWER AMP	R 0447	88-118-683-080	0E	C-RES,S 68K-1/10W J	HTNM	AV-D37
X	POWER AMP	R 0450	88-128-391-080	0E	C-RES, 390-1/8W J	HCNM	AV-D37
X	POWER AMP	R 0450	88-128-391-080	0E	C-RES, 390-1/8W J	HRJNM	AV-D37
X	POWER AMP	R 0450	88-128-391-080	0E	C-RES, 390-1/8W J	HTNM	AV-D37
X	POWER AMP	R 0467	88-118-103-080	0E	C-RES,S 10K-1/10W J	HCNM	AV-D37
X	POWER AMP	R 0467	88-118-103-080	0E	C-RES,S 10K-1/10W J	HRJNM	AV-D37
X	POWER AMP	R 0467	88-118-103-080	0E	C-RES,S 10K-1/10W J	HTNM	AV-D37
X	POWER AMP	R 0469	88-118-472-080	0E	C-RES,S 4.7K-1/10W J	HCNM	AV-D37
X	POWER AMP	R 0469	88-118-472-080	0E	C-RES,S 4.7K-1/10W J	HRJNM	AV-D37
X	POWER AMP	R 0469	88-118-472-080	0E	C-RES,S 4.7K-1/10W J	HTNM	AV-D37
X	POWER AMP	R 0471	88-138-822-080	0E	C-RES, 8.2K-1/4W J	HCNM	AV-D37
X	POWER AMP	R 0471	88-138-822-080	0E	C-RES, 8.2K-1/4W J	HRJNM	AV-D37
X	POWER AMP	R 0471	88-138-822-080	0E	C-RES, 8.2K-1/4W J	HTNM	AV-D37
X	POWER AMP	R 0472	88-138-822-080	0E	C-RES, 8.2K-1/4W J	HCNM	AV-D37
X	POWER AMP	R 0472	88-138-822-080	0E	C-RES, 8.2K-1/4W J	HRJNM	AV-D37
X	POWER AMP	R 0472	88-138-822-080	0E	C-RES, 8.2K-1/4W J	HTNM	AV-D37
X	POWER AMP	R 0473	88-130-822-080	0E	RES, 8.2K-1/4W J	HCNM	AV-D37
X	POWER AMP	R 0473	88-130-822-080	0E	RES, 8.2K-1/4W J	HRJNM	AV-D37
X	POWER AMP	R 0473	88-130-822-080	0E	RES, 8.2K-1/4W J	HTNM	AV-D37
X	POWER AMP	R 0489	88-118-103-080	0E	C-RES,S 10K-1/10W J	HCNM	AV-D37
X	POWER AMP	R 0489	88-118-103-080	0E	C-RES,S 10K-1/10W J	HRJNM	AV-D37
X	POWER AMP	R 0489	88-118-103-080	0E	C-RES,S 10K-1/10W J	HTNM	AV-D37
X	POWER AMP	R 0490	88-118-103-080	0E	C-RES,S 10K-1/10W J	HCNM	AV-D37
X	POWER AMP	R 0490	88-118-103-080	0E	C-RES,S 10K-1/10W J	HRJNM	AV-D37
X	POWER AMP	R 0490	88-118-103-080	0E	C-RES,S 10K-1/10W J	HTNM	AV-D37
X	POWER AMP	R 0491	88-128-100-080	0E	C-RES, 10-1/8W J	HCNM	AV-D37
X	POWER AMP	R 0491	88-128-100-080	0E	C-RES, 10-1/8W J	HRJNM	AV-D37
X	POWER AMP	R 0491	88-128-100-080	0E	C-RES, 10-1/8W J	HTNM	AV-D37
X	POWER AMP	R 0492	88-128-100-080	0E	C-RES, 10-1/8W J	HCNM	AV-D37
X	POWER AMP	R 0492	88-128-100-080	0E	C-RES, 10-1/8W J	HRJNM	AV-D37
X	POWER AMP	R 0492	88-128-100-080	0E	C-RES, 10-1/8W J	HTNM	AV-D37
X	POWER AMP	R 0493	88-128-221-080	0E	C-RES, 220-1/8W J	HCNM	AV-D37
X	POWER AMP	R 0493	88-128-221-080	0E	C-RES, 220-1/8W J	HRJNM	AV-D37
X	POWER AMP	R 0493	88-128-221-080	0E	C-RES, 220-1/8W J	HTNM	AV-D37
X	POWER AMP	R 0494	88-121-122-080	0E	RES, 1.2K-1/8W J	HCNM	AV-D37
X	POWER AMP	R 0494	88-121-122-080	0E	RES, 1.2K-1/8W J	HRJNM	AV-D37
X	POWER AMP	R 0494	88-121-122-080	0E	RES, 1.2K-1/8W J	HTNM	AV-D37
X	POWER AMP	R 0495	88-121-222-080	0E	RES, 2.2K-1/8W J	HCNM	AV-D37
X	POWER AMP	R 0495	88-121-222-080	0E	RES, 2.2K-1/8W J	HRJNM	AV-D37
X	POWER AMP	R 0495	88-121-222-080	0E	RES, 2.2K-1/8W J	HTNM	AV-D37
O	POWER AMP	R 0590	87-A00-571-050	0E	RES,M/F 0.15-2W J RZ	HCNM	AV-D37
O	POWER AMP	R 0590	87-A00-571-050	0E	RES,M/F 0.15-2W J RZ	HRJNM	AV-D37
O	POWER AMP	R 0590	87-A00-571-050	0E	RES,M/F 0.15-2W J RZ	HTNM	AV-D37
O	POWER AMP	R 0611	87-A00-571-050	0E	RES,M/F 0.15-2W J RZ	HCNM	AV-D37
O	POWER AMP	R 0611	87-A00-571-050	0E	RES,M/F 0.15-2W J RZ	HRJNM	AV-D37
O	POWER AMP	R 0611	87-A00-571-050	0E	RES,M/F 0.15-2W J RZ	HTNM	AV-D37
X	POWER AMP	R 0748	88-118-101-080	0E	C-RES,S 100-1/10W J	HCNM	AV-D37

# PARTS LIST

! =  $\Delta$  SAFTY PARTS  
 C = Components marked

All components used on this model at the production line are shown in this service manual.

However, please note that not all components will be available as spare parts for after-sales service.

Components marked S and O are designated as spare parts for service and will be stocked at the spare parts centers.

Components marked X and R are not designated as spare parts for after sales service, and will not be stocked at the spare parts centers.

K NO. = Only use japanese.

! C	UNIT NAME	REF NO.	PARTS CODE	K NO.	DESCRIPTION	SUFFIX	MODEL NAME
X	POWER AMP	R 0748	88-118-101-080	0E	C-RES, S 100-1/10W J	HRJNM	AV-D37
X	POWER AMP	R 0748	88-118-101-080	0E	C-RES, S 100-1/10W J	HTNM	AV-D37
X	POWER AMP	R 0804	88-138-822-080	0E	C-RES, 8.2K-1/4W J	HCNM	AV-D37
X	POWER AMP	R 0804	88-138-822-080	0E	C-RES, 8.2K-1/4W J	HRJNM	AV-D37
X	POWER AMP	R 0804	88-138-822-080	0E	C-RES, 8.2K-1/4W J	HTNM	AV-D37
X	POWER AMP	R 0805	88-138-822-080	0E	C-RES, 8.2K-1/4W J	HCNM	AV-D37
X	POWER AMP	R 0805	88-138-822-080	0E	C-RES, 8.2K-1/4W J	HRJNM	AV-D37
X	POWER AMP	R 0805	88-138-822-080	0E	C-RES, 8.2K-1/4W J	HTNM	AV-D37
X	POWER AMP	R 0997	88-128-331-080	0E	C-RES, 330-1/8W J	HCNM	AV-D37
X	POWER AMP	R 0997	88-128-331-080	0E	C-RES, 330-1/8W J	HRJNM	AV-D37
X	POWER AMP	R 0997	88-128-331-080	0E	C-RES, 330-1/8W J	HTNM	AV-D37
X	POWER AMP	R 0998	88-128-331-080	0E	C-RES, 330-1/8W J	HCNM	AV-D37
X	POWER AMP	R 0998	88-128-331-080	0E	C-RES, 330-1/8W J	HRJNM	AV-D37
X	POWER AMP	R 0998	88-128-331-080	0E	C-RES, 330-1/8W J	HTNM	AV-D37
!	O POWER AMP	S 0291	87-A90-174-010	1B	SW, PUSH 2-2-2 R2121382ES	HCNM	AV-D37
!	O POWER AMP	S 0291	87-A90-174-010	1B	SW, PUSH 2-2-2 R2121382ES	HRJNM	AV-D37
!	O POWER AMP	S 0291	87-A90-174-010	1B	SW, PUSH 2-2-2 R2121382ES	HTNM	AV-D37
!	O POWER AMP	S 0292	87-A90-174-010	1B	SW, PUSH 2-2-2 R2121382ES	HCNM	AV-D37
!	O POWER AMP	S 0292	87-A90-174-010	1B	SW, PUSH 2-2-2 R2121382ES	HRJNM	AV-D37
!	O POWER AMP	S 0292	87-A90-174-010	1B	SW, PUSH 2-2-2 R2121382ES	HTNM	AV-D37
O	POWER AMP	TH 0201	87-A91-081-080	0E	C-THMS, 100K-K 20P	HCNM	AV-D37
O	POWER AMP	TH 0201	87-A91-081-080	0E	C-THMS, 100K-K 20P	HRJNM	AV-D37
O	POWER AMP	TH 0201	87-A91-081-080	0E	C-THMS, 100K-K 20P	HTNM	AV-D37
O	POWER AMP	TH 0202	87-A91-081-080	0E	C-THMS, 100K-K 20P	HCNM	AV-D37
O	POWER AMP	TH 0202	87-A91-081-080	0E	C-THMS, 100K-K 20P	HRJNM	AV-D37
O	POWER AMP	TH 0202	87-A91-081-080	0E	C-THMS, 100K-K 20P	HTNM	AV-D37
O	POWER AMP	TH 0301	87-A91-081-080	0E	C-THMS, 100K-K 20P	HCNM	AV-D37
O	POWER AMP	TH 0301	87-A91-081-080	0E	C-THMS, 100K-K 20P	HRJNM	AV-D37
O	POWER AMP	TH 0301	87-A91-081-080	0E	C-THMS, 100K-K 20P	HTNM	AV-D37
O	POWER AMP	TH 0302	87-A91-081-080	0E	C-THMS, 100K-K 20P	HCNM	AV-D37
O	POWER AMP	TH 0302	87-A91-081-080	0E	C-THMS, 100K-K 20P	HRJNM	AV-D37
O	POWER AMP	TH 0302	87-A91-081-080	0E	C-THMS, 100K-K 20P	HTNM	AV-D37
O	POWER AMP	TH 0401	87-A91-081-080	0E	C-THMS, 100K-K 20P	HCNM	AV-D37
O	POWER AMP	TH 0401	87-A91-081-080	0E	C-THMS, 100K-K 20P	HRJNM	AV-D37
O	POWER AMP	TH 0401	87-A91-081-080	0E	C-THMS, 100K-K 20P	HTNM	AV-D37
X	POWER SUPPLY	*	8A-AR3-621-110	--	PWB, COMB MAIN (EZ, H)	HCNM	AV-D37
X	POWER SUPPLY	*	8A-AR3-621-110	--	PWB, COMB MAIN (EZ, H)	HRJNM	AV-D37
X	POWER SUPPLY	*	8A-AR3-621-110	--	PWB, COMB MAIN (EZ, H)	HTNM	AV-D37
X	POWER SUPPLY	*	8A-AR3-622-110	--	PWB, MAIN (EZ, H)	HCNM	AV-D37
X	POWER SUPPLY	*	8A-AR3-622-110	--	PWB, MAIN (EZ, H)	HRJNM	AV-D37
X	POWER SUPPLY	*	8A-AR3-622-110	--	PWB, MAIN (EZ, H)	HTNM	AV-D37
O	POWER SUPPLY	C 0101	87-010-235-080	0E	CAP, E 470-16 M SME	HCNM	AV-D37
O	POWER SUPPLY	C 0101	87-010-235-080	0E	CAP, E 470-16 M SME	HRJNM	AV-D37
O	POWER SUPPLY	C 0101	87-010-235-080	0E	CAP, E 470-16 M SME	HTNM	AV-D37
O	POWER SUPPLY	C 0102	87-010-235-080	0E	CAP, E 470-16 M SME	HCNM	AV-D37
O	POWER SUPPLY	C 0102	87-010-235-080	0E	CAP, E 470-16 M SME	HRJNM	AV-D37
O	POWER SUPPLY	C 0102	87-010-235-080	0E	CAP, E 470-16 M SME	HTNM	AV-D37
O	POWER SUPPLY	C 0103	87-010-384-080	0E	CAP, E 100-25 M 11L SME	HCNM	AV-D37
O	POWER SUPPLY	C 0103	87-010-384-080	0E	CAP, E 100-25 M 11L SME	HRJNM	AV-D37
O	POWER SUPPLY	C 0103	87-010-384-080	0E	CAP, E 100-25 M 11L SME	HTNM	AV-D37
O	POWER SUPPLY	C 0104	87-010-382-080	0E	CAP, E 22-25 M 11L SME	HCNM	AV-D37
O	POWER SUPPLY	C 0104	87-010-382-080	0E	CAP, E 22-25 M 11L SME	HRJNM	AV-D37
O	POWER SUPPLY	C 0104	87-010-382-080	0E	CAP, E 22-25 M 11L SME	HTNM	AV-D37
O	POWER SUPPLY	C 0105	87-010-247-080	0E	CAP, E 100-50 M SME	HCNM	AV-D37
O	POWER SUPPLY	C 0105	87-010-247-080	0E	CAP, E 100-50 M SME	HRJNM	AV-D37
O	POWER SUPPLY	C 0105	87-010-247-080	0E	CAP, E 100-50 M SME	HTNM	AV-D37
O	POWER SUPPLY	C 0106	87-010-384-080	0E	CAP, E 100-25 M 11L SME	HCNM	AV-D37
O	POWER SUPPLY	C 0106	87-010-384-080	0E	CAP, E 100-25 M 11L SME	HRJNM	AV-D37
O	POWER SUPPLY	C 0106	87-010-384-080	0E	CAP, E 100-25 M 11L SME	HTNM	AV-D37
O	POWER SUPPLY	C 0108	87-012-140-080	0E	C-CAP, S 470P-50 J CH	HCNM	AV-D37
O	POWER SUPPLY	C 0108	87-012-140-080	0E	C-CAP, S 470P-50 J CH	HRJNM	AV-D37
O	POWER SUPPLY	C 0108	87-012-140-080	0E	C-CAP, S 470P-50 J CH	HTNM	AV-D37
O	POWER SUPPLY	C 0109	87-012-368-080	0E	C-CAP, S 0.1-50 Z F	HCNM	AV-D37
O	POWER SUPPLY	C 0109	87-012-368-080	0E	C-CAP, S 0.1-50 Z F	HRJNM	AV-D37
O	POWER SUPPLY	C 0109	87-012-368-080	0E	C-CAP, S 0.1-50 Z F	HTNM	AV-D37
O	POWER SUPPLY	C 0110	87-012-368-080	0E	C-CAP, S 0.1-50 Z F	HCNM	AV-D37
O	POWER SUPPLY	C 0110	87-012-368-080	0E	C-CAP, S 0.1-50 Z F	HRJNM	AV-D37
O	POWER SUPPLY	C 0110	87-012-368-080	0E	C-CAP, S 0.1-50 Z F	HTNM	AV-D37
O	POWER SUPPLY	C 0111	87-012-368-080	0E	C-CAP, S 0.1-50 Z F	HCNM	AV-D37
O	POWER SUPPLY	C 0111	87-012-368-080	0E	C-CAP, S 0.1-50 Z F	HRJNM	AV-D37
O	POWER SUPPLY	C 0111	87-012-368-080	0E	C-CAP, S 0.1-50 Z F	HTNM	AV-D37

# PARTS LIST

! =  $\Delta$  SAFTY PARTS  
 C = Components marked

All components used on this model at the production line are shown in this service manual.

However, please note that not all components will be available as spare parts for after-sales service.

Components marked S and O are designated as spare parts for service and will be stocked at the spare parts centers.

Components marked X and R are not designated as spare parts for after sales service, and will not be stocked at the spare parts centers.

K NO. = Only use japanese.

! C	UNIT NAME	REF NO.	PARTS CODE	K NO.	DESCRIPTION	SUFFIX	MODEL NAME
O	POWER SUPPLY	C	0111	87-012-368-080	0E	C-CAP,S 0.1-50 Z F	HTNM AV-D37
O	POWER SUPPLY	C	0112	87-012-368-080	0E	C-CAP,S 0.1-50 Z F	HCNM AV-D37
O	POWER SUPPLY	C	0112	87-012-368-080	0E	C-CAP,S 0.1-50 Z F	HRJNM AV-D37
O	POWER SUPPLY	C	0112	87-012-368-080	0E	C-CAP,S 0.1-50 Z F	HTNM AV-D37
O	POWER SUPPLY	C	0113	87-A12-300-010	1D	CAP,E 3900-35 LXZ	HCNM AV-D37
O	POWER SUPPLY	C	0113	87-A12-300-010	1D	CAP,E 3900-35 LXZ	HRJNM AV-D37
O	POWER SUPPLY	C	0113	87-A12-300-010	1D	CAP,E 3900-35 LXZ	HTNM AV-D37
O	POWER SUPPLY	C	0114	87-A12-300-010	1D	CAP,E 3900-35 LXZ	HCNM AV-D37
O	POWER SUPPLY	C	0114	87-A12-300-010	1D	CAP,E 3900-35 LXZ	HRJNM AV-D37
O	POWER SUPPLY	C	0114	87-A12-300-010	1D	CAP,E 3900-35 LXZ	HTNM AV-D37
O	POWER SUPPLY	C	0115	87-012-368-080	0E	C-CAP,S 0.1-50 Z F	HCNM AV-D37
O	POWER SUPPLY	C	0115	87-012-368-080	0E	C-CAP,S 0.1-50 Z F	HRJNM AV-D37
O	POWER SUPPLY	C	0115	87-012-368-080	0E	C-CAP,S 0.1-50 Z F	HTNM AV-D37
O	POWER SUPPLY	C	0116	87-012-368-080	0E	C-CAP,S 0.1-50 Z F	HCNM AV-D37
O	POWER SUPPLY	C	0116	87-012-368-080	0E	C-CAP,S 0.1-50 Z F	HRJNM AV-D37
O	POWER SUPPLY	C	0116	87-012-368-080	0E	C-CAP,S 0.1-50 Z F	HTNM AV-D37
O	POWER SUPPLY	C	0117	87-012-368-080	0E	C-CAP,S 0.1-50 Z F	HCNM AV-D37
O	POWER SUPPLY	C	0117	87-012-368-080	0E	C-CAP,S 0.1-50 Z F	HRJNM AV-D37
O	POWER SUPPLY	C	0117	87-012-368-080	0E	C-CAP,S 0.1-50 Z F	HTNM AV-D37
O	POWER SUPPLY	C	0118	87-012-368-080	0E	C-CAP,S 0.1-50 Z F	HCNM AV-D37
O	POWER SUPPLY	C	0118	87-012-368-080	0E	C-CAP,S 0.1-50 Z F	HRJNM AV-D37
O	POWER SUPPLY	C	0118	87-012-368-080	0E	C-CAP,S 0.1-50 Z F	HTNM AV-D37
O	POWER SUPPLY	C	0119	87-A10-461-090	1H	CAP,E 6800-71 SMG VB	HCNM AV-D37
O	POWER SUPPLY	C	0119	87-A10-461-090	1H	CAP,E 6800-71 SMG VB	HRJNM AV-D37
O	POWER SUPPLY	C	0119	87-A10-461-090	1H	CAP,E 6800-71 SMG VB	HTNM AV-D37
O	POWER SUPPLY	C	0120	87-A10-461-090	1H	CAP,E 6800-71 SMG VB	HCNM AV-D37
O	POWER SUPPLY	C	0120	87-A10-461-090	1H	CAP,E 6800-71 SMG VB	HRJNM AV-D37
O	POWER SUPPLY	C	0120	87-A10-461-090	1H	CAP,E 6800-71 SMG VB	HTNM AV-D37
O	POWER SUPPLY	C	0121	87-010-260-080	0E	CAP,E 47-25 M 11L SME	HCNM AV-D37
O	POWER SUPPLY	C	0121	87-010-260-080	0E	CAP,E 47-25 M 11L SME	HRJNM AV-D37
O	POWER SUPPLY	C	0121	87-010-260-080	0E	CAP,E 47-25 M 11L SME	HTNM AV-D37
O	POWER SUPPLY	C	0122	87-010-403-080	0E	CAP,E 3.3-50 M 11L SME	HCNM AV-D37
O	POWER SUPPLY	C	0122	87-010-403-080	0E	CAP,E 3.3-50 M 11L SME	HRJNM AV-D37
O	POWER SUPPLY	C	0122	87-010-403-080	0E	CAP,E 3.3-50 M 11L SME	HTNM AV-D37
O	POWER SUPPLY	C	0123	87-010-385-080	0E	CAP,E 220-25 M SME	HCNM AV-D37
O	POWER SUPPLY	C	0123	87-010-385-080	0E	CAP,E 220-25 M SME	HRJNM AV-D37
O	POWER SUPPLY	C	0123	87-010-385-080	0E	CAP,E 220-25 M SME	HTNM AV-D37
O	POWER SUPPLY	C	0124	87-010-385-080	0E	CAP,E 220-25 M SME	HCNM AV-D37
O	POWER SUPPLY	C	0124	87-010-385-080	0E	CAP,E 220-25 M SME	HRJNM AV-D37
O	POWER SUPPLY	C	0124	87-010-385-080	0E	CAP,E 220-25 M SME	HTNM AV-D37
O	POWER SUPPLY	C	0125	87-010-247-080	0E	CAP,E 100-50 M SME	HCNM AV-D37
O	POWER SUPPLY	C	0125	87-010-247-080	0E	CAP,E 100-50 M SME	HRJNM AV-D37
O	POWER SUPPLY	C	0125	87-010-247-080	0E	CAP,E 100-50 M SME	HTNM AV-D37
O	POWER SUPPLY	C	0126	87-010-263-080	0E	CAP,E 100-10 M 11L SME	HCNM AV-D37
O	POWER SUPPLY	C	0126	87-010-263-080	0E	CAP,E 100-10 M 11L SME	HRJNM AV-D37
O	POWER SUPPLY	C	0126	87-010-263-080	0E	CAP,E 100-10 M 11L SME	HTNM AV-D37
O	POWER SUPPLY	C	0127	87-010-197-080	0E	C-CAP,S 0.01-25 K B C2012	HCNM AV-D37
O	POWER SUPPLY	C	0127	87-010-197-080	0E	C-CAP,S 0.01-25 K B C2012	HRJNM AV-D37
O	POWER SUPPLY	C	0127	87-010-197-080	0E	C-CAP,S 0.01-25 K B C2012	HTNM AV-D37
O	POWER SUPPLY	C	0143	87-A10-712-080	0E	C-CAP,S 0.22-50 Z F	HCNM AV-D37
O	POWER SUPPLY	C	0143	87-A10-712-080	0E	C-CAP,S 0.22-50 Z F	HRJNM AV-D37
O	POWER SUPPLY	C	0143	87-A10-712-080	0E	C-CAP,S 0.22-50 Z F	HTNM AV-D37
O	POWER SUPPLY	C	0144	87-A10-712-080	0E	C-CAP,S 0.22-50 Z F	HCNM AV-D37
O	POWER SUPPLY	C	0144	87-A10-712-080	0E	C-CAP,S 0.22-50 Z F	HRJNM AV-D37
O	POWER SUPPLY	C	0144	87-A10-712-080	0E	C-CAP,S 0.22-50 Z F	HTNM AV-D37
O	POWER SUPPLY	CN	0110	87-A60-621-010	0E	CONN,4P V 2MM JMT	HCNM AV-D37
O	POWER SUPPLY	CN	0110	87-A60-621-010	0E	CONN,4P V 2MM JMT	HRJNM AV-D37
O	POWER SUPPLY	CN	0110	87-A60-621-010	0E	CONN,4P V 2MM JMT	HTNM AV-D37
O	POWER SUPPLY	CNA0003	8A-AR3-654-010	1	CONN ASSY,9P VH	HCNM AV-D37	
O	POWER SUPPLY	CNA0003	8A-AR3-654-010	1	CONN ASSY,9P VH	HRJNM AV-D37	
O	POWER SUPPLY	CNA0003	8A-AR3-654-010	1	CONN ASSY,9P VH	HTNM AV-D37	
S	POWER SUPPLY	D	0101	87-A40-345-080	0E	ZENER,MTZJ10C	HCNM AV-D37
S	POWER SUPPLY	D	0101	87-A40-345-080	0E	ZENER,MTZJ10C	HRJNM AV-D37
S	POWER SUPPLY	D	0101	87-A40-345-080	0E	ZENER,MTZJ10C	HTNM AV-D37
S	POWER SUPPLY	D	0102	87-A40-269-080	0E	C-DIODE,MC2836	HCNM AV-D37
S	POWER SUPPLY	D	0102	87-A40-269-080	0E	C-DIODE,MC2836	HRJNM AV-D37
S	POWER SUPPLY	D	0102	87-A40-269-080	0E	C-DIODE,MC2836	HTNM AV-D37
S	POWER SUPPLY	D	0108	87-A40-269-080	0E	C-DIODE,MC2836	HCNM AV-D37
S	POWER SUPPLY	D	0108	87-A40-269-080	0E	C-DIODE,MC2836	HRJNM AV-D37
S	POWER SUPPLY	D	0108	87-A40-269-080	0E	C-DIODE,MC2836	HTNM AV-D37



# PARTS LIST

! =  $\Delta$  SAFTY PARTS  
 C = Components marked

All components used on this model at the production line are shown in this service manual.

However, please note that not all components will be available as spare parts for after-sales service.

Components marked S and O are designated as spare parts for service and will be stocked at the spare parts centers.

Components marked X and R are not designated as spare parts for after sales service, and will not be stocked at the spare parts centers.

K NO. = Only use japanese.

! C	UNIT NAME	REF NO.	PARTS CODE	K NO.	DESCRIPTION	SUFFIX	MODEL NAME
S	POWER SUPPLY	D 0109	87-A40-270-080	0E	C-DIODE,MC2838	HCNM	AV-D37
S	POWER SUPPLY	D 0109	87-A40-270-080	0E	C-DIODE,MC2838	HRJNM	AV-D37
S	POWER SUPPLY	D 0109	87-A40-270-080	0E	C-DIODE,MC2838	HTNM	AV-D37
S	POWER SUPPLY	D 0110	87-A40-004-080	0E	ZENER,MTZJ16A	HCNM	AV-D37
S	POWER SUPPLY	D 0110	87-A40-004-080	0E	ZENER,MTZJ16A	HRJNM	AV-D37
S	POWER SUPPLY	D 0110	87-A40-004-080	0E	ZENER,MTZJ16A	HTNM	AV-D37
S	POWER SUPPLY	D 0112	87-A40-335-080	0E	ZENER,MTZJ11C T-72	HCNM	AV-D37
S	POWER SUPPLY	D 0112	87-A40-335-080	0E	ZENER,MTZJ11C T-72	HRJNM	AV-D37
S	POWER SUPPLY	D 0112	87-A40-335-080	0E	ZENER,MTZJ11C T-72	HTNM	AV-D37
S	POWER SUPPLY	D 0122	87-070-274-080	0E	DIODE,1N4003 SEM	HCNM	AV-D37
S	POWER SUPPLY	D 0122	87-070-274-080	0E	DIODE,1N4003 SEM	HRJNM	AV-D37
S	POWER SUPPLY	D 0122	87-070-274-080	0E	DIODE,1N4003 SEM	HTNM	AV-D37
S	POWER SUPPLY	D 0123	87-070-274-080	0E	DIODE,1N4003 SEM	HCNM	AV-D37
S	POWER SUPPLY	D 0123	87-070-274-080	0E	DIODE,1N4003 SEM	HRJNM	AV-D37
S	POWER SUPPLY	D 0123	87-070-274-080	0E	DIODE,1N4003 SEM	HTNM	AV-D37
S	POWER SUPPLY	D 0124	87-A40-435-080	0E	ZENER,MTZJ30D	HCNM	AV-D37
S	POWER SUPPLY	D 0124	87-A40-435-080	0E	ZENER,MTZJ30D	HRJNM	AV-D37
S	POWER SUPPLY	D 0124	87-A40-435-080	0E	ZENER,MTZJ30D	HTNM	AV-D37
S	POWER SUPPLY	D 0125	87-020-465-080	0E	DIODE,1SS133	HCNM	AV-D37
S	POWER SUPPLY	D 0125	87-020-465-080	0E	DIODE,1SS133	HRJNM	AV-D37
S	POWER SUPPLY	D 0125	87-020-465-080	0E	DIODE,1SS133	HTNM	AV-D37
S	POWER SUPPLY	D 0126	87-020-465-080	0E	DIODE,1SS133	HCNM	AV-D37
S	POWER SUPPLY	D 0126	87-020-465-080	0E	DIODE,1SS133	HRJNM	AV-D37
S	POWER SUPPLY	D 0126	87-020-465-080	0E	DIODE,1SS133	HTNM	AV-D37
X	POWER SUPPLY	JR 0102	88-129-000-080	0E	C-JUMPER, 3216	HCNM	AV-D37
X	POWER SUPPLY	JR 0102	88-129-000-080	0E	C-JUMPER, 3216	HRJNM	AV-D37
X	POWER SUPPLY	JR 0102	88-129-000-080	0E	C-JUMPER, 3216	HTNM	AV-D37
X	POWER SUPPLY	JR 0111	88-148-000-080	0E	C-JUMPER, 1/2W J	HCNM	AV-D37
X	POWER SUPPLY	JR 0111	88-148-000-080	0E	C-JUMPER, 1/2W J	HRJNM	AV-D37
X	POWER SUPPLY	JR 0111	88-148-000-080	0E	C-JUMPER, 1/2W J	HTNM	AV-D37
X	POWER SUPPLY	JR 0112	88-148-000-080	0E	C-JUMPER, 1/2W J	HCNM	AV-D37
X	POWER SUPPLY	JR 0112	88-148-000-080	0E	C-JUMPER, 1/2W J	HRJNM	AV-D37
X	POWER SUPPLY	JR 0112	88-148-000-080	0E	C-JUMPER, 1/2W J	HTNM	AV-D37
X	POWER SUPPLY	JR 0113	88-129-000-080	0E	C-JUMPER, 3216	HCNM	AV-D37
X	POWER SUPPLY	JR 0113	88-129-000-080	0E	C-JUMPER, 3216	HRJNM	AV-D37
X	POWER SUPPLY	JR 0113	88-129-000-080	0E	C-JUMPER, 3216	HTNM	AV-D37
X	POWER SUPPLY	JR 0114	88-129-000-080	0E	C-JUMPER, 3216	HCNM	AV-D37
X	POWER SUPPLY	JR 0114	88-129-000-080	0E	C-JUMPER, 3216	HRJNM	AV-D37
X	POWER SUPPLY	JR 0114	88-129-000-080	0E	C-JUMPER, 3216	HTNM	AV-D37
X	POWER SUPPLY	JR 0118	88-129-000-080	0E	C-JUMPER, 3216	HCNM	AV-D37
X	POWER SUPPLY	JR 0118	88-129-000-080	0E	C-JUMPER, 3216	HRJNM	AV-D37
X	POWER SUPPLY	JR 0119	88-129-000-080	0E	C-JUMPER, 3216	HCNM	AV-D37
X	POWER SUPPLY	JR 0119	88-129-000-080	0E	C-JUMPER, 3216	HRJNM	AV-D37
X	POWER SUPPLY	JR 0119	88-129-000-080	0E	C-JUMPER, 3216	HTNM	AV-D37
X	POWER SUPPLY	JR 0121	88-129-000-080	0E	C-JUMPER, 3216	HCNM	AV-D37
X	POWER SUPPLY	JR 0121	88-129-000-080	0E	C-JUMPER, 3216	HRJNM	AV-D37
X	POWER SUPPLY	JR 0121	88-129-000-080	0E	C-JUMPER, 3216	HTNM	AV-D37
X	POWER SUPPLY	JR 0123	88-129-000-080	0E	C-JUMPER, 3216	HCNM	AV-D37
X	POWER SUPPLY	JR 0123	88-129-000-080	0E	C-JUMPER, 3216	HRJNM	AV-D37
X	POWER SUPPLY	JR 0123	88-129-000-080	0E	C-JUMPER, 3216	HTNM	AV-D37
X	POWER SUPPLY	JR 0124	88-129-000-080	0E	C-JUMPER, 3216	HCNM	AV-D37
X	POWER SUPPLY	JR 0124	88-129-000-080	0E	C-JUMPER, 3216	HRJNM	AV-D37
X	POWER SUPPLY	JR 0124	88-129-000-080	0E	C-JUMPER, 3216	HTNM	AV-D37
X	POWER SUPPLY	JR 0127	88-118-000-080	0E	C-JUMPER, S	HCNM	AV-D37
X	POWER SUPPLY	JR 0127	88-118-000-080	0E	C-JUMPER, S	HRJNM	AV-D37
X	POWER SUPPLY	JR 0127	88-118-000-080	0E	C-JUMPER, S	HTNM	AV-D37
X	POWER SUPPLY	JR 0128	88-118-000-080	0E	C-JUMPER, S	HCNM	AV-D37
X	POWER SUPPLY	JR 0128	88-118-000-080	0E	C-JUMPER, S	HRJNM	AV-D37
X	POWER SUPPLY	JR 0128	88-118-000-080	0E	C-JUMPER, S	HTNM	AV-D37
X	POWER SUPPLY	JR 0131	88-148-000-080	0E	C-JUMPER, 1/2W J	HCNM	AV-D37
X	POWER SUPPLY	JR 0131	88-148-000-080	0E	C-JUMPER, 1/2W J	HRJNM	AV-D37
X	POWER SUPPLY	JR 0131	88-148-000-080	0E	C-JUMPER, 1/2W J	HTNM	AV-D37
X	POWER SUPPLY	JR 0132	88-148-000-080	0E	C-JUMPER, 1/2W J	HCNM	AV-D37
X	POWER SUPPLY	JR 0132	88-148-000-080	0E	C-JUMPER, 1/2W J	HRJNM	AV-D37
X	POWER SUPPLY	JR 0132	88-148-000-080	0E	C-JUMPER, 1/2W J	HTNM	AV-D37
X	POWER SUPPLY	JR 0133	88-148-000-080	0E	C-JUMPER, 1/2W J	HCNM	AV-D37
X	POWER SUPPLY	JR 0133	88-148-000-080	0E	C-JUMPER, 1/2W J	HRJNM	AV-D37
X	POWER SUPPLY	JR 0133	88-148-000-080	0E	C-JUMPER, 1/2W J	HTNM	AV-D37
X	POWER SUPPLY	JR 0134	88-129-000-080	0E	C-JUMPER, 3216	HCNM	AV-D37

# PARTS LIST

! =  $\Delta$  SAFTY PARTS  
 C = Components marked

All components used on this model at the production line are shown in this service manual.

However, please note that not all components will be available as spare parts for after-sales service.

Components marked S and O are designated as spare parts for service and will be stocked at the spare parts centers.

Components marked X and R are not designated as spare parts for after sales service, and will not be stocked at the spare parts centers.

K NO. = Only use japanese.

! C	UNIT NAME	REF NO.	PARTS CODE	K NO.	DESCRIPTION	SUFFIX	MODEL NAME
X	POWER SUPPLY	JR 0134	88-129-000-080	0E	C-JUMPER, 3216	HRJNM	AV-D37
X	POWER SUPPLY	JR 0134	88-129-000-080	0E	C-JUMPER, 3216	HTNM	AV-D37
X	POWER SUPPLY	JR 0137	88-118-000-080	0E	C-JUMPER, S	HCNM	AV-D37
X	POWER SUPPLY	JR 0137	88-118-000-080	0E	C-JUMPER, S	HRJNM	AV-D37
X	POWER SUPPLY	JR 0137	88-118-000-080	0E	C-JUMPER, S	HTNM	AV-D37
X	POWER SUPPLY	JR 0153	88-129-000-080	0E	C-JUMPER, 3216	HCNM	AV-D37
X	POWER SUPPLY	JR 0153	88-129-000-080	0E	C-JUMPER, 3216	HRJNM	AV-D37
X	POWER SUPPLY	JR 0153	88-129-000-080	0E	C-JUMPER, 3216	HTNM	AV-D37
X	POWER SUPPLY	JR 0154	88-118-000-080	0E	C-JUMPER, S	HCNM	AV-D37
X	POWER SUPPLY	JR 0154	88-118-000-080	0E	C-JUMPER, S	HRJNM	AV-D37
X	POWER SUPPLY	JR 0154	88-118-000-080	0E	C-JUMPER, S	HTNM	AV-D37
X	POWER SUPPLY	JR 0155	88-118-000-080	0E	C-JUMPER, S	HCNM	AV-D37
X	POWER SUPPLY	JR 0155	88-118-000-080	0E	C-JUMPER, S	HRJNM	AV-D37
X	POWER SUPPLY	JR 0155	88-118-000-080	0E	C-JUMPER, S	HTNM	AV-D37
X	POWER SUPPLY	JR 0157	88-129-000-080	0E	C-JUMPER, 3216	HCNM	AV-D37
X	POWER SUPPLY	JR 0157	88-129-000-080	0E	C-JUMPER, 3216	HRJNM	AV-D37
X	POWER SUPPLY	JR 0157	88-129-000-080	0E	C-JUMPER, 3216	HTNM	AV-D37
X	POWER SUPPLY	JR 0340	88-118-000-080	0E	C-JUMPER, S	HCNM	AV-D37
X	POWER SUPPLY	JR 0340	88-118-000-080	0E	C-JUMPER, S	HRJNM	AV-D37
X	POWER SUPPLY	JR 0340	88-118-000-080	0E	C-JUMPER, S	HTNM	AV-D37
X	POWER SUPPLY	JR 0482	88-118-000-080	0E	C-JUMPER, S	HCNM	AV-D37
X	POWER SUPPLY	JR 0482	88-118-000-080	0E	C-JUMPER, S	HRJNM	AV-D37
X	POWER SUPPLY	JR 0482	88-118-000-080	0E	C-JUMPER, S	HTNM	AV-D37
X	POWER SUPPLY	JR 0492	88-118-000-080	0E	C-JUMPER, S	HCNM	AV-D37
X	POWER SUPPLY	JR 0492	88-118-000-080	0E	C-JUMPER, S	HRJNM	AV-D37
X	POWER SUPPLY	JR 0492	88-118-000-080	0E	C-JUMPER, S	HTNM	AV-D37
X	POWER SUPPLY	JR 0492	88-118-000-080	0E	C-JUMPER, S	HCNM	AV-D37
X	POWER SUPPLY	JR 0492	88-118-000-080	0E	C-JUMPER, S	HRJNM	AV-D37
X	POWER SUPPLY	JR 0587	88-129-000-080	0E	C-JUMPER, 3216	HCNM	AV-D37
X	POWER SUPPLY	JR 0587	88-129-000-080	0E	C-JUMPER, 3216	HRJNM	AV-D37
X	POWER SUPPLY	JR 0587	88-129-000-080	0E	C-JUMPER, 3216	HTNM	AV-D37
X	POWER SUPPLY	JR 0896	88-118-000-080	0E	C-JUMPER, S	HCNM	AV-D37
X	POWER SUPPLY	JR 0896	88-118-000-080	0E	C-JUMPER, S	HRJNM	AV-D37
X	POWER SUPPLY	JR 0896	88-118-000-080	0E	C-JUMPER, S	HTNM	AV-D37
S	POWER SUPPLY	PR 0101	87-026-682-080	0E	PROTECTOR, 10A 491SERIES 60V	HCNM	AV-D37
S	POWER SUPPLY	PR 0101	87-026-682-080	0E	PROTECTOR, 10A 491SERIES 60V	HRJNM	AV-D37
S	POWER SUPPLY	PR 0101	87-026-682-080	0E	PROTECTOR, 10A 491SERIES 60V	HTNM	AV-D37
S	POWER SUPPLY	PR 0104	87-026-682-080	0E	PROTECTOR, 10A 491SERIES 60V	HCNM	AV-D37
S	POWER SUPPLY	PR 0104	87-026-682-080	0E	PROTECTOR, 10A 491SERIES 60V	HRJNM	AV-D37
S	POWER SUPPLY	PR 0104	87-026-682-080	0E	PROTECTOR, 10A 491SERIES 60V	HTNM	AV-D37
S	POWER SUPPLY	Q 0101	89-110-372-080	0E	C-TR, 2SA1037K (R)	HCNM	AV-D37
S	POWER SUPPLY	Q 0101	89-110-372-080	0E	C-TR, 2SA1037K (R)	HRJNM	AV-D37
S	POWER SUPPLY	Q 0101	89-110-372-080	0E	C-TR, 2SA1037K (R)	HTNM	AV-D37
S	POWER SUPPLY	Q 0102	89-213-702-010	1A	TR, 2SB1370E	HCNM	AV-D37
S	POWER SUPPLY	Q 0102	89-213-702-010	1A	TR, 2SB1370E	HRJNM	AV-D37
S	POWER SUPPLY	Q 0102	89-213-702-010	1A	TR, 2SB1370E	HTNM	AV-D37
S	POWER SUPPLY	Q 0103	87-A30-083-080	0E	TR, CSD1489B	HCNM	AV-D37
S	POWER SUPPLY	Q 0103	87-A30-083-080	0E	TR, CSD1489B	HRJNM	AV-D37
S	POWER SUPPLY	Q 0103	87-A30-083-080	0E	TR, CSD1489B	HTNM	AV-D37
S	POWER SUPPLY	Q 0106	87-A30-076-080	0E	C-TR, 2SC3052F	HCNM	AV-D37
S	POWER SUPPLY	Q 0106	87-A30-076-080	0E	C-TR, 2SC3052F	HRJNM	AV-D37
S	POWER SUPPLY	Q 0106	87-A30-076-080	0E	C-TR, 2SC3052F	HTNM	AV-D37
S	POWER SUPPLY	Q 0107	87-026-610-080	0E	TR, KTC3198GR	HCNM	AV-D37
S	POWER SUPPLY	Q 0107	87-026-610-080	0E	TR, KTC3198GR	HRJNM	AV-D37
S	POWER SUPPLY	Q 0107	87-026-610-080	0E	TR, KTC3198GR	HTNM	AV-D37
S	POWER SUPPLY	Q 0112	87-A30-076-080	0E	C-TR, 2SC3052F	HCNM	AV-D37
S	POWER SUPPLY	Q 0112	87-A30-076-080	0E	C-TR, 2SC3052F	HRJNM	AV-D37
S	POWER SUPPLY	Q 0112	87-A30-076-080	0E	C-TR, 2SC3052F	HTNM	AV-D37
S	POWER SUPPLY	Q 0113	87-A30-075-080	0E	C-TR, 2SA1235F	HCNM	AV-D37
S	POWER SUPPLY	Q 0113	87-A30-075-080	0E	C-TR, 2SA1235F	HRJNM	AV-D37
S	POWER SUPPLY	Q 0113	87-A30-075-080	0E	C-TR, 2SA1235F	HTNM	AV-D37
S	POWER SUPPLY	Q 0114	87-A30-076-080	0E	C-TR, 2SC3052F	HCNM	AV-D37
S	POWER SUPPLY	Q 0114	87-A30-076-080	0E	C-TR, 2SC3052F	HRJNM	AV-D37
S	POWER SUPPLY	Q 0114	87-A30-076-080	0E	C-TR, 2SC3052F	HTNM	AV-D37
S	POWER SUPPLY	Q 0115	87-A30-075-080	0E	C-TR, 2SA1235F	HCNM	AV-D37
S	POWER SUPPLY	Q 0115	87-A30-075-080	0E	C-TR, 2SA1235F	HRJNM	AV-D37
S	POWER SUPPLY	Q 0115	87-A30-075-080	0E	C-TR, 2SA1235F	HTNM	AV-D37
S	POWER SUPPLY	Q 0116	87-A30-076-080	0E	C-TR, 2SC3052F	HCNM	AV-D37
S	POWER SUPPLY	Q 0116	87-A30-076-080	0E	C-TR, 2SC3052F	HRJNM	AV-D37
S	POWER SUPPLY	Q 0116	87-A30-076-080	0E	C-TR, 2SC3052F	HTNM	AV-D37
S	POWER SUPPLY	Q 0117	87-026-609-080	0E	TR, KTA1266GR	HCNM	AV-D37
S	POWER SUPPLY	Q 0117	87-026-609-080	0E	TR, KTA1266GR	HRJNM	AV-D37

# PARTS LIST

! =  $\Delta$  SAFTY PARTS  
 C = Components marked

All components used on this model at the production line are shown in this service manual.

However, please note that not all components will be available as spare parts for after-sales service.

Components marked S and O are designated as spare parts for service and will be stocked at the spare parts centers.

Components marked X and R are not designated as spare parts for after sales service, and will not be stocked at the spare parts centers.

K NO. = Only use japanese.

! C	UNIT NAME	REF NO.	PARTS CODE	K NO.	DESCRIPTION	SUFFIX	MODEL NAME
S	POWER SUPPLY	Q 0117	87-026-609-080	0E	TR,KTA1266GR	HTNM	AV-D37
S	POWER SUPPLY	Q 0118	87-026-609-080	0E	TR,KTA1266GR	HCNM	AV-D37
S	POWER SUPPLY	Q 0118	87-026-609-080	0E	TR,KTA1266GR	HRJNM	AV-D37
S	POWER SUPPLY	Q 0118	87-026-609-080	0E	TR,KTA1266GR	HTNM	AV-D37
X	POWER SUPPLY	R 0101	88-118-473-080	0E	C-RES,S 47K-1/10W J	HCNM	AV-D37
X	POWER SUPPLY	R 0101	88-118-473-080	0E	C-RES,S 47K-1/10W J	HRJNM	AV-D37
X	POWER SUPPLY	R 0101	88-118-473-080	0E	C-RES,S 47K-1/10W J	HTNM	AV-D37
X	POWER SUPPLY	R 0102	88-118-473-080	0E	C-RES,S 47K-1/10W J	HCNM	AV-D37
X	POWER SUPPLY	R 0102	88-118-473-080	0E	C-RES,S 47K-1/10W J	HRJNM	AV-D37
X	POWER SUPPLY	R 0102	88-118-473-080	0E	C-RES,S 47K-1/10W J	HTNM	AV-D37
X	POWER SUPPLY	R 0103	88-118-471-080	0E	C-RES,S 470-1/10W J	HCNM	AV-D37
X	POWER SUPPLY	R 0103	88-118-471-080	0E	C-RES,S 470-1/10W J	HRJNM	AV-D37
X	POWER SUPPLY	R 0103	88-118-471-080	0E	C-RES,S 470-1/10W J	HTNM	AV-D37
X	POWER SUPPLY	R 0104	88-118-472-080	0E	C-RES,S 4.7K-1/10W J	HCNM	AV-D37
X	POWER SUPPLY	R 0104	88-118-472-080	0E	C-RES,S 4.7K-1/10W J	HRJNM	AV-D37
X	POWER SUPPLY	R 0104	88-118-472-080	0E	C-RES,S 4.7K-1/10W J	HTNM	AV-D37
X	POWER SUPPLY	R 0105	88-118-822-080	0E	C-RES,S 8.2K-1/10W J	HCNM	AV-D37
X	POWER SUPPLY	R 0105	88-118-822-080	0E	C-RES,S 8.2K-1/10W J	HRJNM	AV-D37
X	POWER SUPPLY	R 0105	88-118-822-080	0E	C-RES,S 8.2K-1/10W J	HTNM	AV-D37
X	POWER SUPPLY	R 0106	88-118-101-080	0E	C-RES,S 100-1/10W J	HCNM	AV-D37
X	POWER SUPPLY	R 0106	88-118-101-080	0E	C-RES,S 100-1/10W J	HRJNM	AV-D37
X	POWER SUPPLY	R 0106	88-118-101-080	0E	C-RES,S 100-1/10W J	HTNM	AV-D37
X	POWER SUPPLY	R 0107	88-118-101-080	0E	C-RES,S 100-1/10W J	HCNM	AV-D37
X	POWER SUPPLY	R 0107	88-118-101-080	0E	C-RES,S 100-1/10W J	HRJNM	AV-D37
X	POWER SUPPLY	R 0107	88-118-101-080	0E	C-RES,S 100-1/10W J	HTNM	AV-D37
X	POWER SUPPLY	R 0108	88-118-682-080	0E	C-RES,S 6.8K-1/10W J	HCNM	AV-D37
X	POWER SUPPLY	R 0108	88-118-682-080	0E	C-RES,S 6.8K-1/10W J	HRJNM	AV-D37
X	POWER SUPPLY	R 0108	88-118-682-080	0E	C-RES,S 6.8K-1/10W J	HTNM	AV-D37
!	O POWER SUPPLY	R 0109	87-029-060-080	0E	RES,FUSE 33-1/4W J	HCNM	AV-D37
!	O POWER SUPPLY	R 0109	87-029-060-080	0E	RES,FUSE 33-1/4W J	HRJNM	AV-D37
!	O POWER SUPPLY	R 0109	87-029-060-080	0E	RES,FUSE 33-1/4W J	HTNM	AV-D37
X	POWER SUPPLY	R 0112	88-118-333-080	0E	C-RES,S 33K-1/10W J	HCNM	AV-D37
X	POWER SUPPLY	R 0112	88-118-333-080	0E	C-RES,S 33K-1/10W J	HRJNM	AV-D37
X	POWER SUPPLY	R 0112	88-118-333-080	0E	C-RES,S 33K-1/10W J	HTNM	AV-D37
X	POWER SUPPLY	R 0113	88-118-471-080	0E	C-RES,S 470-1/10W J	HCNM	AV-D37
X	POWER SUPPLY	R 0113	88-118-471-080	0E	C-RES,S 470-1/10W J	HRJNM	AV-D37
X	POWER SUPPLY	R 0113	88-118-471-080	0E	C-RES,S 470-1/10W J	HTNM	AV-D37
X	POWER SUPPLY	R 0114	88-118-221-080	0E	C-RES,S 220-1/10W J	HCNM	AV-D37
X	POWER SUPPLY	R 0114	88-118-221-080	0E	C-RES,S 220-1/10W J	HRJNM	AV-D37
X	POWER SUPPLY	R 0114	88-118-221-080	0E	C-RES,S 220-1/10W J	HTNM	AV-D37
X	POWER SUPPLY	R 0116	88-128-103-080	0E	C-RES, 10K-1/8W J	HCNM	AV-D37
X	POWER SUPPLY	R 0116	88-128-103-080	0E	C-RES, 10K-1/8W J	HRJNM	AV-D37
X	POWER SUPPLY	R 0116	88-128-103-080	0E	C-RES, 10K-1/8W J	HTNM	AV-D37
X	POWER SUPPLY	R 0117	88-118-564-080	0E	C-RES,S 560K-1/10W J	HCNM	AV-D37
X	POWER SUPPLY	R 0117	88-118-564-080	0E	C-RES,S 560K-1/10W J	HRJNM	AV-D37
X	POWER SUPPLY	R 0117	88-118-564-080	0E	C-RES,S 560K-1/10W J	HTNM	AV-D37
X	POWER SUPPLY	R 0118	88-118-472-080	0E	C-RES,S 4.7K-1/10W J	HCNM	AV-D37
X	POWER SUPPLY	R 0118	88-118-472-080	0E	C-RES,S 4.7K-1/10W J	HRJNM	AV-D37
X	POWER SUPPLY	R 0118	88-118-472-080	0E	C-RES,S 4.7K-1/10W J	HTNM	AV-D37
X	POWER SUPPLY	R 0120	88-118-471-080	0E	C-RES,S 470-1/10W J	HCNM	AV-D37
X	POWER SUPPLY	R 0120	88-118-471-080	0E	C-RES,S 470-1/10W J	HRJNM	AV-D37
X	POWER SUPPLY	R 0121	88-118-680-080	0E	C-RES,S 68-1/10W J	HCNM	AV-D37
X	POWER SUPPLY	R 0121	88-118-680-080	0E	C-RES,S 68-1/10W J	HRJNM	AV-D37
X	POWER SUPPLY	R 0121	88-118-680-080	0E	C-RES,S 68-1/10W J	HTNM	AV-D37
X	POWER SUPPLY	R 0122	88-118-471-080	0E	C-RES,S 470-1/10W J	HCNM	AV-D37
X	POWER SUPPLY	R 0122	88-118-471-080	0E	C-RES,S 470-1/10W J	HRJNM	AV-D37
X	POWER SUPPLY	R 0122	88-118-471-080	0E	C-RES,S 470-1/10W J	HTNM	AV-D37
X	POWER SUPPLY	R 0123	88-118-104-080	0E	C-RES,S 100K-1/10W J	HCNM	AV-D37
X	POWER SUPPLY	R 0123	88-118-104-080	0E	C-RES,S 100K-1/10W J	HRJNM	AV-D37
X	POWER SUPPLY	R 0123	88-118-104-080	0E	C-RES,S 100K-1/10W J	HTNM	AV-D37
X	POWER SUPPLY	R 0124	88-118-104-080	0E	C-RES,S 100K-1/10W J	HCNM	AV-D37
X	POWER SUPPLY	R 0124	88-118-104-080	0E	C-RES,S 100K-1/10W J	HRJNM	AV-D37
X	POWER SUPPLY	R 0124	88-118-104-080	0E	C-RES,S 100K-1/10W J	HTNM	AV-D37
X	POWER SUPPLY	R 0125	88-118-104-080	0E	C-RES,S 100K-1/10W J	HCNM	AV-D37
X	POWER SUPPLY	R 0125	88-118-104-080	0E	C-RES,S 100K-1/10W J	HRJNM	AV-D37
X	POWER SUPPLY	R 0125	88-118-104-080	0E	C-RES,S 100K-1/10W J	HTNM	AV-D37
X	POWER SUPPLY	R 0126	88-118-153-080	0E	C-RES,S 15K-1/10W J	HCNM	AV-D37
X	POWER SUPPLY	R 0126	88-118-153-080	0E	C-RES,S 15K-1/10W J	HRJNM	AV-D37
X	POWER SUPPLY	R 0126	88-118-153-080	0E	C-RES,S 15K-1/10W J	HTNM	AV-D37

# PARTS LIST

! =  $\Delta$  SAFTY PARTS  
 C = Components marked

All components used on this model at the production line are shown in this service manual.

However, please note that not all components will be available as spare parts for after-sales service.

Components marked S and O are designated as spare parts for service and will be stocked at the spare parts centers.

Components marked X and R are not designated as spare parts for after sales service, and will not be stocked at the spare parts centers.

K NO. = Only use japanese.

! C	UNIT NAME	REF NO.	PARTS CODE	K NO.	DESCRIPTION	SUFFIX	MODEL NAME
X	POWER SUPPLY	R 0129	88-121-183-080	0E	RES,18K-1/8W J	HCNM	AV-D37
X	POWER SUPPLY	R 0129	88-121-183-080	0E	RES,18K-1/8W J	HRJNM	AV-D37
X	POWER SUPPLY	R 0129	88-121-183-080	0E	RES,18K-1/8W J	HTNM	AV-D37
X	POWER SUPPLY	R 0130	88-121-183-080	0E	RES,18K-1/8W J	HCNM	AV-D37
X	POWER SUPPLY	R 0130	88-121-183-080	0E	RES,18K-1/8W J	HRJNM	AV-D37
X	POWER SUPPLY	R 0130	88-121-183-080	0E	RES,18K-1/8W J	HTNM	AV-D37
X	POWER SUPPLY	R 0131	88-118-102-080	0E	C-RES,S 1K-1/10W J	HCNM	AV-D37
X	POWER SUPPLY	R 0131	88-118-102-080	0E	C-RES,S 1K-1/10W J	HRJNM	AV-D37
X	POWER SUPPLY	R 0131	88-118-102-080	0E	C-RES,S 1K-1/10W J	HTNM	AV-D37
X	POWER SUPPLY	R 0132	88-118-123-080	0E	C-RES,S 12K-1/10W J	HCNM	AV-D37
X	POWER SUPPLY	R 0132	88-118-123-080	0E	C-RES,S 12K-1/10W J	HRJNM	AV-D37
X	POWER SUPPLY	R 0132	88-118-123-080	0E	C-RES,S 12K-1/10W J	HTNM	AV-D37
X	POWER SUPPLY	R 0133	88-118-103-080	0E	C-RES,S 10K-1/10W J	HCNM	AV-D37
X	POWER SUPPLY	R 0133	88-118-103-080	0E	C-RES,S 10K-1/10W J	HRJNM	AV-D37
X	POWER SUPPLY	R 0133	88-118-103-080	0E	C-RES,S 10K-1/10W J	HTNM	AV-D37
X	POWER SUPPLY	R 0133	88-118-103-080	0E	C-RES,S 10K-1/10W J	HTNM	AV-D37
X	POWER SUPPLY	R 0134	88-118-472-080	0E	C-RES,S 4.7K-1/10W J	HCNM	AV-D37
X	POWER SUPPLY	R 0134	88-118-472-080	0E	C-RES,S 4.7K-1/10W J	HRJNM	AV-D37
X	POWER SUPPLY	R 0134	88-118-472-080	0E	C-RES,S 4.7K-1/10W J	HTNM	AV-D37
X	POWER SUPPLY	R 0135	88-118-100-080	0E	C-RES,S 10-1/10W J	HCNM	AV-D37
X	POWER SUPPLY	R 0135	88-118-100-080	0E	C-RES,S 10-1/10W J	HRJNM	AV-D37
X	POWER SUPPLY	R 0135	88-118-100-080	0E	C-RES,S 10-1/10W J	HTNM	AV-D37
X	POWER SUPPLY	R 0136	88-128-472-080	0E	C-RES, 4.7K-1/8W J	HCNM	AV-D37
X	POWER SUPPLY	R 0136	88-128-472-080	0E	C-RES, 4.7K-1/8W J	HRJNM	AV-D37
X	POWER SUPPLY	R 0136	88-128-472-080	0E	C-RES, 4.7K-1/8W J	HTNM	AV-D37
X	POWER SUPPLY	R 0137	88-118-472-080	0E	C-RES,S 4.7K-1/10W J	HCNM	AV-D37
X	POWER SUPPLY	R 0137	88-118-472-080	0E	C-RES,S 4.7K-1/10W J	HRJNM	AV-D37
X	POWER SUPPLY	R 0137	88-118-472-080	0E	C-RES,S 4.7K-1/10W J	HTNM	AV-D37
X	POWER SUPPLY	R 0138	88-118-104-080	0E	C-RES,S 100K-1/10W J	HCNM	AV-D37
X	POWER SUPPLY	R 0138	88-118-104-080	0E	C-RES,S 100K-1/10W J	HRJNM	AV-D37
X	POWER SUPPLY	R 0138	88-118-104-080	0E	C-RES,S 100K-1/10W J	HTNM	AV-D37
X	POWER SUPPLY	R 0139	88-128-159-080	0E	C-RES, 1.5-1/8W J	HCNM	AV-D37
X	POWER SUPPLY	R 0139	88-128-159-080	0E	C-RES, 1.5-1/8W J	HRJNM	AV-D37
X	POWER SUPPLY	R 0139	88-128-159-080	0E	C-RES, 1.5-1/8W J	HTNM	AV-D37
X	POWER SUPPLY	R 0140	88-128-159-080	0E	C-RES, 1.5-1/8W J	HCNM	AV-D37
X	POWER SUPPLY	R 0140	88-128-159-080	0E	C-RES, 1.5-1/8W J	HRJNM	AV-D37
X	POWER SUPPLY	R 0140	88-128-159-080	0E	C-RES, 1.5-1/8W J	HTNM	AV-D37
X	POWER SUPPLY	R 0141	88-118-333-080	0E	C-RES,S 33K-1/10W J	HCNM	AV-D37
X	POWER SUPPLY	R 0141	88-118-333-080	0E	C-RES,S 33K-1/10W J	HRJNM	AV-D37
X	POWER SUPPLY	R 0141	88-118-333-080	0E	C-RES,S 33K-1/10W J	HTNM	AV-D37
X	POWER SUPPLY	R 0170	88-118-473-080	0E	C-RES,S 47K-1/10W J	HCNM	AV-D37
X	POWER SUPPLY	R 0170	88-118-473-080	0E	C-RES,S 47K-1/10W J	HRJNM	AV-D37
X	POWER SUPPLY	R 0170	88-118-473-080	0E	C-RES,S 47K-1/10W J	HTNM	AV-D37
X	POWER SUPPLY	R 0188	88-118-472-080	0E	C-RES,S 4.7K-1/10W J	HCNM	AV-D37
X	POWER SUPPLY	R 0188	88-118-472-080	0E	C-RES,S 4.7K-1/10W J	HRJNM	AV-D37
X	POWER SUPPLY	R 0188	88-118-472-080	0E	C-RES,S 4.7K-1/10W J	HTNM	AV-D37
X	POWER SUPPLY	R 0188	88-118-472-080	0E	C-RES,S 4.7K-1/10W J	HTNM	AV-D37
X	POWER SUPPLY	R 0589	88-121-102-080	0E	RES,1K-1/8W J	HCNM	AV-D37
X	POWER SUPPLY	R 0589	88-121-102-080	0E	RES,1K-1/8W J	HRJNM	AV-D37
X	POWER SUPPLY	R 0589	88-121-102-080	0E	RES,1K-1/8W J	HTNM	AV-D37
X	POWER SUPPLY	W 0101	89-995-123-410	0E	WIRE,U24X5-12-5 F	HCNM	AV-D37
X	POWER SUPPLY	W 0101	89-995-123-410	0E	WIRE,U24X5-12-5 F	HRJNM	AV-D37
X	POWER SUPPLY	W 0101	89-995-123-410	0E	WIRE,U24X5-12-5 F	HTNM	AV-D37
X	POWER SUPPLY	W 0104	89-959-203-410	0E	WIRE,U24 H0-20-5/5F	HCNM	AV-D37
X	POWER SUPPLY	W 0104	89-959-203-410	0E	WIRE,U24 H0-20-5/5F	HRJNM	AV-D37
X	POWER SUPPLY	W 0104	89-959-203-410	0E	WIRE,U24 H0-20-5/5F	HTNM	AV-D37
X	POWER SUPPLY	W 0104	89-959-203-410	0E	WIRE,U24 H0-20-5/5F	HTNM	AV-D37
X	POWER SUPPLY	W 0198	89-995-183-410	0E	WIRE,U24X5-18-5 F	HCNM	AV-D37
X	POWER SUPPLY	W 0198	89-995-183-410	0E	WIRE,U24X5-18-5 F	HRJNM	AV-D37
X	POWER SUPPLY	W 0198	89-995-183-410	0E	WIRE,U24X5-18-5 F	HTNM	AV-D37
X	POWER SUPPLY	W 0198	89-995-183-410	0E	WIRE,U24X5-18-5 F	HTNM	AV-D37
X	POWER SUPPLY	W 0199	89-991-123-410	0E	WIRE,U24X1-12-5/5	HCNM	AV-D37
X	POWER SUPPLY	W 0199	89-991-123-410	0E	WIRE,U24X1-12-5/5	HRJNM	AV-D37
X	POWER SUPPLY	W 0199	89-991-123-410	0E	WIRE,U24X1-12-5/5	HTNM	AV-D37
X	POWER SUPPLY	W 0302	89-993-083-410	0E	WIRE,U24X3-8-5/5	HCNM	AV-D37
X	POWER SUPPLY	W 0302	89-993-083-410	0E	WIRE,U24X3-8-5/5	HRJNM	AV-D37
X	POWER SUPPLY	W 0302	89-993-083-410	0E	WIRE,U24X3-8-5/5	HTNM	AV-D37
X	POWER SUPPLY	W 0901	89-995-163-410	0E	WIRE,U24X5-16-5 F	HCNM	AV-D37
X	POWER SUPPLY	W 0901	89-995-163-410	0E	WIRE,U24X5-16-5 F	HRJNM	AV-D37
X	POWER SUPPLY	W 0901	89-995-163-410	0E	WIRE,U24X5-16-5 F	HTNM	AV-D37
!	O POWER SUPPLY	WH 0101	87-A90-510-010	0E	HLDR,WIRE 2.5-9P	HCNM	AV-D37
!	O POWER SUPPLY	WH 0101	87-A90-510-010	0E	HLDR,WIRE 2.5-9P	HRJNM	AV-D37
!	O POWER SUPPLY	WH 0101	87-A90-510-010	0E	HLDR,WIRE 2.5-9P	HTNM	AV-D37
X	PRINTED DU		87-B40-086-010	0E	BAG,PV 0.04-230-400 PL	HCNM	AV-D37

# PARTS LIST

! =  $\Delta$  SAFTY PARTS  
 C = Components marked

All components used on this model at the production line are shown in this service manual.

However, please note that not all components will be available as spare parts for after-sales service.

Components marked S and O are designated as spare parts for service and will be stocked at the spare parts centers.

Components marked X and R are not designated as spare parts for after sales service, and will not be stocked at the spare parts centers.

K NO. = Only use japanese.

! C	UNIT NAME	REF NO.	PARTS CODE	K NO.	DESCRIPTION	SUFFIX	MODEL NAME
X	PRINTED DU		87-B40-086-010	0E	BAG,PV 0.04-230-400 PL	HRJNM	AV-D37
X	PRINTED DU		87-B40-086-010	0E	BAG,PV 0.04-230-400 PL	HTNM	AV-D37
X	PRINTED DU		87-B50-064-110	0E	WARR-CARD,CHINA NEW	HCNM	AV-D37
X	PRINTED DU		87-B50-066-010	0E	LIST,FACILITY(B)-TOKYO	HCNM	AV-D37
X	PRINTED DU		87-B50-066-010	0E	LIST,FACILITY(B)-TOKYO	HRJNM	AV-D37
X	PRINTED DU		87-B50-066-010	0E	LIST,FACILITY(B)-TOKYO	HTNM	AV-D37
X	PRINTED DU		87-B50-075-010	0E	WARR-CARD,TAIWAN	HTNM	AV-D37
O	PRINTED DU		8A-AR4-901-010	1	IB,H(EC-K)M	HCNM	AV-D37
O	PRINTED DU		8A-AR4-911-010	--	IB,H(EC-H)M	HRJNM	AV-D37
O	PRINTED DU		8A-AR4-911-010	--	IB,H(EC-H)M	HTNM	AV-D37
X	PROLOGIC	*	8A-AR3-625-110	1	PWB,COMB PROLOGIC (4M)	HCNM	AV-D37
X	PROLOGIC	*	8A-AR3-625-110	1	PWB,COMB PROLOGIC (4M)	HRJNM	AV-D37
X	PROLOGIC	*	8A-AR3-625-110	1	PWB,COMB PROLOGIC (4M)	HTNM	AV-D37
X	PROLOGIC	*	8A-AR3-626-110	--	PWB,PROLOGIC (4M)	HCNM	AV-D37
X	PROLOGIC	*	8A-AR3-626-110	--	PWB,PROLOGIC (4M)	HRJNM	AV-D37
X	PROLOGIC	*	8A-AR3-626-110	--	PWB,PROLOGIC (4M)	HTNM	AV-D37
O	PROLOGIC	C 0801	87-010-176-080	0E	C-CAP,S 680P-50 J SL	HCNM	AV-D37
O	PROLOGIC	C 0801	87-010-176-080	0E	C-CAP,S 680P-50 J SL	HRJNM	AV-D37
O	PROLOGIC	C 0801	87-010-176-080	0E	C-CAP,S 680P-50 J SL	HTNM	AV-D37
O	PROLOGIC	C 0802	87-010-176-080	0E	C-CAP,S 680P-50 J SL	HCNM	AV-D37
O	PROLOGIC	C 0802	87-010-176-080	0E	C-CAP,S 680P-50 J SL	HRJNM	AV-D37
O	PROLOGIC	C 0803	87-010-949-080	0E	C-CAP,S 0.01-50 J B	HCNM	AV-D37
O	PROLOGIC	C 0803	87-010-949-080	0E	C-CAP,S 0.01-50 J B	HRJNM	AV-D37
O	PROLOGIC	C 0803	87-010-949-080	0E	C-CAP,S 0.01-50 J B	HTNM	AV-D37
O	PROLOGIC	C 0804	87-010-949-080	0E	C-CAP,S 0.01-50 J B	HCNM	AV-D37
O	PROLOGIC	C 0804	87-010-949-080	0E	C-CAP,S 0.01-50 J B	HRJNM	AV-D37
O	PROLOGIC	C 0804	87-010-949-080	0E	C-CAP,S 0.01-50 J B	HTNM	AV-D37
O	PROLOGIC	C 0805	87-010-949-080	0E	C-CAP,S 0.01-50 J B	HCNM	AV-D37
O	PROLOGIC	C 0805	87-010-949-080	0E	C-CAP,S 0.01-50 J B	HRJNM	AV-D37
O	PROLOGIC	C 0805	87-010-949-080	0E	C-CAP,S 0.01-50 J B	HTNM	AV-D37
O	PROLOGIC	C 0806	87-010-949-080	0E	C-CAP,S 0.01-50 J B	HCNM	AV-D37
O	PROLOGIC	C 0806	87-010-949-080	0E	C-CAP,S 0.01-50 J B	HRJNM	AV-D37
O	PROLOGIC	C 0806	87-010-949-080	0E	C-CAP,S 0.01-50 J B	HTNM	AV-D37
O	PROLOGIC	C 0807	87-010-405-080	0E	CAP,E 10-50 M 11L SME	HCNM	AV-D37
O	PROLOGIC	C 0807	87-010-405-080	0E	CAP,E 10-50 M 11L SME	HRJNM	AV-D37
O	PROLOGIC	C 0807	87-010-405-080	0E	CAP,E 10-50 M 11L SME	HTNM	AV-D37
O	PROLOGIC	C 0808	87-010-405-080	0E	CAP,E 10-50 M 11L SME	HCNM	AV-D37
O	PROLOGIC	C 0808	87-010-405-080	0E	CAP,E 10-50 M 11L SME	HRJNM	AV-D37
O	PROLOGIC	C 0808	87-010-405-080	0E	CAP,E 10-50 M 11L SME	HTNM	AV-D37
O	PROLOGIC	C 0809	87-016-081-080	0E	C-CAP,S 0.1-16 K R GRM	HCNM	AV-D37
O	PROLOGIC	C 0809	87-016-081-080	0E	C-CAP,S 0.1-16 K R GRM	HRJNM	AV-D37
O	PROLOGIC	C 0809	87-016-081-080	0E	C-CAP,S 0.1-16 K R GRM	HTNM	AV-D37
O	PROLOGIC	C 0810	87-010-112-080	0E	CAP,E 100-16 M 11L SME	HCNM	AV-D37
O	PROLOGIC	C 0810	87-010-112-080	0E	CAP,E 100-16 M 11L SME	HRJNM	AV-D37
O	PROLOGIC	C 0810	87-010-112-080	0E	CAP,E 100-16 M 11L SME	HTNM	AV-D37
O	PROLOGIC	C 0811	87-010-402-080	0E	CAP,E 2.2-50 M 11L SME	HCNM	AV-D37
O	PROLOGIC	C 0811	87-010-402-080	0E	CAP,E 2.2-50 M 11L SME	HRJNM	AV-D37
O	PROLOGIC	C 0811	87-010-402-080	0E	CAP,E 2.2-50 M 11L SME	HTNM	AV-D37
O	PROLOGIC	C 0812	87-010-402-080	0E	CAP,E 2.2-50 M 11L SME	HCNM	AV-D37
O	PROLOGIC	C 0812	87-010-402-080	0E	CAP,E 2.2-50 M 11L SME	HRJNM	AV-D37
O	PROLOGIC	C 0812	87-010-402-080	0E	CAP,E 2.2-50 M 11L SME	HTNM	AV-D37
O	PROLOGIC	C 0813	87-010-400-080	0E	CAP,E 0.47-50 M 11L SME	HCNM	AV-D37
O	PROLOGIC	C 0813	87-010-400-080	0E	CAP,E 0.47-50 M 11L SME	HRJNM	AV-D37
O	PROLOGIC	C 0813	87-010-400-080	0E	CAP,E 0.47-50 M 11L SME	HTNM	AV-D37
O	PROLOGIC	C 0814	87-010-401-080	0E	CAP,E 1-50 M 11L SME	HCNM	AV-D37
O	PROLOGIC	C 0814	87-010-401-080	0E	CAP,E 1-50 M 11L SME	HRJNM	AV-D37
O	PROLOGIC	C 0814	87-010-401-080	0E	CAP,E 1-50 M 11L SME	HTNM	AV-D37
O	PROLOGIC	C 0815	87-010-546-080	0E	CAP,E 0.33-50 M 11L SME	HCNM	AV-D37
O	PROLOGIC	C 0815	87-010-546-080	0E	CAP,E 0.33-50 M 11L SME	HRJNM	AV-D37
O	PROLOGIC	C 0815	87-010-546-080	0E	CAP,E 0.33-50 M 11L SME	HTNM	AV-D37
O	PROLOGIC	C 0816	87-010-546-080	0E	CAP,E 0.33-50 M 11L SME	HCNM	AV-D37
O	PROLOGIC	C 0816	87-010-546-080	0E	CAP,E 0.33-50 M 11L SME	HRJNM	AV-D37
O	PROLOGIC	C 0816	87-010-546-080	0E	CAP,E 0.33-50 M 11L SME	HTNM	AV-D37
O	PROLOGIC	C 0817	87-010-263-080	0E	CAP,E 100-10 M 11L SME	HCNM	AV-D37
O	PROLOGIC	C 0817	87-010-263-080	0E	CAP,E 100-10 M 11L SME	HRJNM	AV-D37
O	PROLOGIC	C 0817	87-010-263-080	0E	CAP,E 100-10 M 11L SME	HTNM	AV-D37
O	PROLOGIC	C 0818	87-010-367-080	0E	CAP,E 4.7-25 M BP SP	HCNM	AV-D37
O	PROLOGIC	C 0818	87-010-367-080	0E	CAP,E 4.7-25 M BP SP	HRJNM	AV-D37
O	PROLOGIC	C 0818	87-010-367-080	0E	CAP,E 4.7-25 M BP SP	HTNM	AV-D37

# PARTS LIST

! =  $\Delta$  SAFTY PARTS  
 C = Components marked

All components used on this model at the production line are shown in this service manual.

However, please note that not all components will be available as spare parts for after-sales service.

Components marked S and O are designated as spare parts for service and will be stocked at the spare parts centers.

Components marked X and R are not designated as spare parts for after sales service, and will not be stocked at the spare parts centers.

K NO. = Only use japanese.

! C	UNIT NAME	REF NO.	PARTS CODE	K NO.	DESCRIPTION	SUFFIX	MODEL NAME
O	PROLOGIC	C 0819	87-010-188-080	0E	C-CAP,S 6800P-50 K B C2012	HCNM	AV-D37
O	PROLOGIC	C 0819	87-010-188-080	0E	C-CAP,S 6800P-50 K B C2012	HRJNM	AV-D37
O	PROLOGIC	C 0819	87-010-188-080	0E	C-CAP,S 6800P-50 K B C2012	HTNM	AV-D37
O	PROLOGIC	C 0820	87-010-374-080	0E	CAP,E 47-10 M 11L SME	HCNM	AV-D37
O	PROLOGIC	C 0820	87-010-374-080	0E	CAP,E 47-10 M 11L SME	HRJNM	AV-D37
O	PROLOGIC	C 0820	87-010-374-080	0E	CAP,E 47-10 M 11L SME	HTNM	AV-D37
O	PROLOGIC	C 0821	87-016-081-080	0E	C-CAP,S 0.1-16 K R GRM	HCNM	AV-D37
O	PROLOGIC	C 0821	87-016-081-080	0E	C-CAP,S 0.1-16 K R GRM	HRJNM	AV-D37
O	PROLOGIC	C 0821	87-016-081-080	0E	C-CAP,S 0.1-16 K R GRM	HTNM	AV-D37
O	PROLOGIC	C 0822	87-016-083-080	0E	C-CAP,S 0.15-16 K R	HCNM	AV-D37
O	PROLOGIC	C 0822	87-016-083-080	0E	C-CAP,S 0.15-16 K R	HRJNM	AV-D37
O	PROLOGIC	C 0822	87-016-083-080	0E	C-CAP,S 0.15-16 K R	HTNM	AV-D37
O	PROLOGIC	C 0823	87-010-263-080	0E	CAP,E 100-10 M 11L SME	HCNM	AV-D37
O	PROLOGIC	C 0823	87-010-263-080	0E	CAP,E 100-10 M 11L SME	HRJNM	AV-D37
O	PROLOGIC	C 0823	87-010-263-080	0E	CAP,E 100-10 M 11L SME	HTNM	AV-D37
O	PROLOGIC	C 0824	87-010-374-080	0E	CAP,E 47-10 M 11L SME	HCNM	AV-D37
O	PROLOGIC	C 0824	87-010-374-080	0E	CAP,E 47-10 M 11L SME	HRJNM	AV-D37
O	PROLOGIC	C 0824	87-010-374-080	0E	CAP,E 47-10 M 11L SME	HTNM	AV-D37
O	PROLOGIC	C 0825	87-016-081-080	0E	C-CAP,S 0.1-16 K R GRM	HCNM	AV-D37
O	PROLOGIC	C 0825	87-016-081-080	0E	C-CAP,S 0.1-16 K R GRM	HRJNM	AV-D37
O	PROLOGIC	C 0825	87-016-081-080	0E	C-CAP,S 0.1-16 K R GRM	HTNM	AV-D37
O	PROLOGIC	C 0826	87-010-166-080	0E	C-CAP,S 100P-50 J SL	HCNM	AV-D37
O	PROLOGIC	C 0826	87-010-166-080	0E	C-CAP,S 100P-50 J SL	HRJNM	AV-D37
O	PROLOGIC	C 0826	87-010-166-080	0E	C-CAP,S 100P-50 J SL	HTNM	AV-D37
O	PROLOGIC	C 0827	87-010-166-080	0E	C-CAP,S 100P-50 J SL	HCNM	AV-D37
O	PROLOGIC	C 0827	87-010-166-080	0E	C-CAP,S 100P-50 J SL	HRJNM	AV-D37
O	PROLOGIC	C 0827	87-010-166-080	0E	C-CAP,S 100P-50 J SL	HTNM	AV-D37
O	PROLOGIC	C 0828	87-010-166-080	0E	C-CAP,S 100P-50 J SL	HCNM	AV-D37
O	PROLOGIC	C 0828	87-010-166-080	0E	C-CAP,S 100P-50 J SL	HRJNM	AV-D37
O	PROLOGIC	C 0828	87-010-166-080	0E	C-CAP,S 100P-50 J SL	HTNM	AV-D37
O	PROLOGIC	C 0829	87-010-401-080	0E	CAP,E 1-50 M 11L SME	HCNM	AV-D37
O	PROLOGIC	C 0829	87-010-401-080	0E	CAP,E 1-50 M 11L SME	HRJNM	AV-D37
O	PROLOGIC	C 0829	87-010-401-080	0E	CAP,E 1-50 M 11L SME	HTNM	AV-D37
O	PROLOGIC	C 0830	87-010-546-080	0E	CAP,E 0.33-50 M 11L SME	HCNM	AV-D37
O	PROLOGIC	C 0830	87-010-546-080	0E	CAP,E 0.33-50 M 11L SME	HRJNM	AV-D37
O	PROLOGIC	C 0830	87-010-546-080	0E	CAP,E 0.33-50 M 11L SME	HTNM	AV-D37
O	PROLOGIC	C 0831	87-010-971-080	0E	C-CAP,S 4700P-50 J B	HCNM	AV-D37
O	PROLOGIC	C 0831	87-010-971-080	0E	C-CAP,S 4700P-50 J B	HRJNM	AV-D37
O	PROLOGIC	C 0831	87-010-971-080	0E	C-CAP,S 4700P-50 J B	HTNM	AV-D37
O	PROLOGIC	C 0832	87-012-349-080	0E	C-CAP,S 1000P-50 J CH GRM	HCNM	AV-D37
O	PROLOGIC	C 0832	87-012-349-080	0E	C-CAP,S 1000P-50 J CH GRM	HRJNM	AV-D37
O	PROLOGIC	C 0832	87-012-349-080	0E	C-CAP,S 1000P-50 J CH GRM	HTNM	AV-D37
X	PROLOGIC	C 0833	88-710-969-810	0E	CAP,M 0.12-50 J TFL ECQV	HCNM	AV-D37
X	PROLOGIC	C 0833	88-710-969-810	0E	CAP,M 0.12-50 J TFL ECQV	HRJNM	AV-D37
X	PROLOGIC	C 0833	88-710-969-810	0E	CAP,M 0.12-50 J TFL ECQV	HTNM	AV-D37
X	PROLOGIC	C 0834	88-710-789-810	1A	CAP,M 0.33-50 J TFL	HCNM	AV-D37
X	PROLOGIC	C 0834	88-710-789-810	1A	CAP,M 0.33-50 J TFL	HRJNM	AV-D37
X	PROLOGIC	C 0834	88-710-789-810	1A	CAP,M 0.33-50 J TFL	HTNM	AV-D37
X	PROLOGIC	C 0835	88-710-789-810	1A	CAP,M 0.33-50 J TFL	HCNM	AV-D37
X	PROLOGIC	C 0835	88-710-789-810	1A	CAP,M 0.33-50 J TFL	HRJNM	AV-D37
X	PROLOGIC	C 0835	88-710-789-810	1A	CAP,M 0.33-50 J TFL	HTNM	AV-D37
X	PROLOGIC	C 0836	88-710-969-810	0E	CAP,M 0.12-50 J TFL ECQV	HCNM	AV-D37
X	PROLOGIC	C 0836	88-710-969-810	0E	CAP,M 0.12-50 J TFL ECQV	HRJNM	AV-D37
X	PROLOGIC	C 0836	88-710-969-810	0E	CAP,M 0.12-50 J TFL ECQV	HTNM	AV-D37
O	PROLOGIC	C 0837	87-010-971-080	0E	C-CAP,S 4700P-50 J B	HCNM	AV-D37
O	PROLOGIC	C 0837	87-010-971-080	0E	C-CAP,S 4700P-50 J B	HRJNM	AV-D37
O	PROLOGIC	C 0837	87-010-971-080	0E	C-CAP,S 4700P-50 J B	HTNM	AV-D37
O	PROLOGIC	C 0838	87-012-349-080	0E	C-CAP,S 1000P-50 J CH GRM	HCNM	AV-D37
O	PROLOGIC	C 0838	87-012-349-080	0E	C-CAP,S 1000P-50 J CH GRM	HRJNM	AV-D37
O	PROLOGIC	C 0838	87-012-349-080	0E	C-CAP,S 1000P-50 J CH GRM	HTNM	AV-D37
O	PROLOGIC	C 0839	87-010-401-080	0E	CAP,E 1-50 M 11L SME	HCNM	AV-D37
O	PROLOGIC	C 0839	87-010-401-080	0E	CAP,E 1-50 M 11L SME	HRJNM	AV-D37
O	PROLOGIC	C 0839	87-010-401-080	0E	CAP,E 1-50 M 11L SME	HTNM	AV-D37
O	PROLOGIC	C 0840	87-010-401-080	0E	CAP,E 1-50 M 11L SME	HCNM	AV-D37
O	PROLOGIC	C 0840	87-010-401-080	0E	CAP,E 1-50 M 11L SME	HRJNM	AV-D37
O	PROLOGIC	C 0840	87-010-401-080	0E	CAP,E 1-50 M 11L SME	HTNM	AV-D37
O	PROLOGIC	C 0841	87-A10-799-080	0E	C-CAP,S 5600P-16 J B CM	HCNM	AV-D37
O	PROLOGIC	C 0841	87-A10-799-080	0E	C-CAP,S 5600P-16 J B CM	HRJNM	AV-D37
O	PROLOGIC	C 0841	87-A10-799-080	0E	C-CAP,S 5600P-16 J B CM	HTNM	AV-D37
O	PROLOGIC	C 0842	87-A10-802-080	0E	C-CAP,S 0.047-16 J B CM	HCNM	AV-D37

# PARTS LIST

! =  $\Delta$  SAFTY PARTS  
 C = Components marked

All components used on this model at the production line are shown in this service manual.

However, please note that not all components will be available as spare parts for after-sales service.

Components marked S and O are designated as spare parts for service and will be stocked at the spare parts centers.

Components marked X and R are not designated as spare parts for after sales service, and will not be stocked at the spare parts centers.

K NO. = Only use japanese.

! C	UNIT NAME	REF NO.	PARTS CODE	K NO.	DESCRIPTION	SUFFIX	MODEL NAME
O	PROLOGIC	C 0842	87-A10-802-080	0E	C-CAP,S 0.047-16 J B CM	HRJNM	AV-D37
O	PROLOGIC	C 0842	87-A10-802-080	0E	C-CAP,S 0.047-16 J B CM	HTNM	AV-D37
O	PROLOGIC	C 0843	87-A10-229-080	0E	C-CAP,S 0.68-10 K W5R	HCNM	AV-D37
O	PROLOGIC	C 0843	87-A10-229-080	0E	C-CAP,S 0.68-10 K W5R	HRJNM	AV-D37
O	PROLOGIC	C 0843	87-A10-229-080	0E	C-CAP,S 0.68-10 K W5R	HTNM	AV-D37
O	PROLOGIC	C 0844	87-012-393-080	0E	C-CAP,S 0.22-16 K W5R CM/CB	HCNM	AV-D37
O	PROLOGIC	C 0844	87-012-393-080	0E	C-CAP,S 0.22-16 K W5R CM/CB	HRJNM	AV-D37
O	PROLOGIC	C 0844	87-012-393-080	0E	C-CAP,S 0.22-16 K W5R CM/CB	HTNM	AV-D37
O	PROLOGIC	C 0845	87-012-393-080	0E	C-CAP,S 0.22-16 K W5R CM/CB	HCNM	AV-D37
O	PROLOGIC	C 0845	87-012-393-080	0E	C-CAP,S 0.22-16 K W5R CM/CB	HRJNM	AV-D37
O	PROLOGIC	C 0845	87-012-393-080	0E	C-CAP,S 0.22-16 K W5R CM/CB	HTNM	AV-D37
O	PROLOGIC	C 0846	87-010-404-080	0E	CAP,E 4.7-50 M 11L SME	HCNM	AV-D37
O	PROLOGIC	C 0846	87-010-404-080	0E	CAP,E 4.7-50 M 11L SME	HRJNM	AV-D37
O	PROLOGIC	C 0846	87-010-404-080	0E	CAP,E 4.7-50 M 11L SME	HTNM	AV-D37
O	PROLOGIC	C 0847	87-010-404-080	0E	CAP,E 4.7-50 M 11L SME	HCNM	AV-D37
O	PROLOGIC	C 0847	87-010-404-080	0E	CAP,E 4.7-50 M 11L SME	HRJNM	AV-D37
O	PROLOGIC	C 0847	87-010-404-080	0E	CAP,E 4.7-50 M 11L SME	HTNM	AV-D37
O	PROLOGIC	C 0848	87-012-393-080	0E	C-CAP,S 0.22-16 K W5R CM/CB	HCNM	AV-D37
O	PROLOGIC	C 0848	87-012-393-080	0E	C-CAP,S 0.22-16 K W5R CM/CB	HRJNM	AV-D37
O	PROLOGIC	C 0848	87-012-393-080	0E	C-CAP,S 0.22-16 K W5R CM/CB	HTNM	AV-D37
O	PROLOGIC	C 0849	87-012-393-080	0E	C-CAP,S 0.22-16 K W5R CM/CB	HCNM	AV-D37
O	PROLOGIC	C 0849	87-012-393-080	0E	C-CAP,S 0.22-16 K W5R CM/CB	HRJNM	AV-D37
O	PROLOGIC	C 0849	87-012-393-080	0E	C-CAP,S 0.22-16 K W5R CM/CB	HTNM	AV-D37
O	PROLOGIC	C 0850	87-016-081-080	0E	C-CAP,S 0.1-16 K R GRM	HCNM	AV-D37
O	PROLOGIC	C 0850	87-016-081-080	0E	C-CAP,S 0.1-16 K R GRM	HRJNM	AV-D37
O	PROLOGIC	C 0850	87-016-081-080	0E	C-CAP,S 0.1-16 K R GRM	HTNM	AV-D37
O	PROLOGIC	C 0851	87-A10-802-080	0E	C-CAP,S 0.047-16 J B CM	HCNM	AV-D37
O	PROLOGIC	C 0851	87-A10-802-080	0E	C-CAP,S 0.047-16 J B CM	HRJNM	AV-D37
O	PROLOGIC	C 0851	87-A10-802-080	0E	C-CAP,S 0.047-16 J B CM	HTNM	AV-D37
O	PROLOGIC	C 0852	87-A10-802-080	0E	C-CAP,S 0.047-16 J B CM	HRJNM	AV-D37
O	PROLOGIC	C 0852	87-A10-802-080	0E	C-CAP,S 0.047-16 J B CM	HTNM	AV-D37
O	PROLOGIC	C 0853	87-016-081-080	0E	C-CAP,S 0.1-16 K R GRM	HCNM	AV-D37
O	PROLOGIC	C 0853	87-016-081-080	0E	C-CAP,S 0.1-16 K R GRM	HRJNM	AV-D37
O	PROLOGIC	C 0853	87-016-081-080	0E	C-CAP,S 0.1-16 K R GRM	HTNM	AV-D37
O	PROLOGIC	C 0854	87-016-081-080	0E	C-CAP,S 0.1-16 K R GRM	HCNM	AV-D37
O	PROLOGIC	C 0854	87-016-081-080	0E	C-CAP,S 0.1-16 K R GRM	HRJNM	AV-D37
O	PROLOGIC	C 0854	87-016-081-080	0E	C-CAP,S 0.1-16 K R GRM	HTNM	AV-D37
O	PROLOGIC	C 0855	87-A10-801-080	0E	C-CAP,S 0.022-16 J B CM	HCNM	AV-D37
O	PROLOGIC	C 0855	87-A10-801-080	0E	C-CAP,S 0.022-16 J B CM	HRJNM	AV-D37
O	PROLOGIC	C 0855	87-A10-801-080	0E	C-CAP,S 0.022-16 J B CM	HTNM	AV-D37
O	PROLOGIC	C 0856	87-A10-801-080	0E	C-CAP,S 0.022-16 J B CM	HRJNM	AV-D37
O	PROLOGIC	C 0856	87-A10-801-080	0E	C-CAP,S 0.022-16 J B CM	HTNM	AV-D37
O	PROLOGIC	C 0857	87-016-081-080	0E	C-CAP,S 0.1-16 K R GRM	HCNM	AV-D37
O	PROLOGIC	C 0857	87-016-081-080	0E	C-CAP,S 0.1-16 K R GRM	HRJNM	AV-D37
O	PROLOGIC	C 0857	87-016-081-080	0E	C-CAP,S 0.1-16 K R GRM	HTNM	AV-D37
O	PROLOGIC	C 0861	87-016-081-080	0E	C-CAP,S 0.1-16 K R GRM	HCNM	AV-D37
O	PROLOGIC	C 0861	87-016-081-080	0E	C-CAP,S 0.1-16 K R GRM	HRJNM	AV-D37
O	PROLOGIC	C 0861	87-016-081-080	0E	C-CAP,S 0.1-16 K R GRM	HTNM	AV-D37
O	PROLOGIC	C 0862	87-010-263-080	0E	CAP,E 100-10 M 11L SME	HCNM	AV-D37
O	PROLOGIC	C 0862	87-010-263-080	0E	CAP,E 100-10 M 11L SME	HRJNM	AV-D37
O	PROLOGIC	C 0862	87-010-263-080	0E	CAP,E 100-10 M 11L SME	HTNM	AV-D37
O	PROLOGIC	C 0863	87-016-081-080	0E	C-CAP,S 0.1-16 K R GRM	HCNM	AV-D37
O	PROLOGIC	C 0863	87-016-081-080	0E	C-CAP,S 0.1-16 K R GRM	HRJNM	AV-D37
O	PROLOGIC	C 0863	87-016-081-080	0E	C-CAP,S 0.1-16 K R GRM	HTNM	AV-D37
O	PROLOGIC	C 0864	87-010-263-080	0E	CAP,E 100-10 M 11L SME	HCNM	AV-D37
O	PROLOGIC	C 0864	87-010-263-080	0E	CAP,E 100-10 M 11L SME	HRJNM	AV-D37
O	PROLOGIC	C 0864	87-010-263-080	0E	CAP,E 100-10 M 11L SME	HTNM	AV-D37
O	PROLOGIC	C 0865	87-016-083-080	0E	C-CAP,S 0.15-16 K R	HCNM	AV-D37
O	PROLOGIC	C 0865	87-016-083-080	0E	C-CAP,S 0.15-16 K R	HRJNM	AV-D37
O	PROLOGIC	C 0865	87-016-083-080	0E	C-CAP,S 0.15-16 K R	HTNM	AV-D37
O	PROLOGIC	C 0867	87-A10-201-080	0E	C-CAP,S 0.33-16 K B	HCNM	AV-D37
O	PROLOGIC	C 0867	87-A10-201-080	0E	C-CAP,S 0.33-16 K B	HRJNM	AV-D37
O	PROLOGIC	C 0867	87-A10-201-080	0E	C-CAP,S 0.33-16 K B	HTNM	AV-D37
O	PROLOGIC	C 0868	87-A10-060-080	0E	C-CAP,S 0.18-16 K B	HCNM	AV-D37
O	PROLOGIC	C 0868	87-A10-060-080	0E	C-CAP,S 0.18-16 K B	HRJNM	AV-D37
O	PROLOGIC	C 0868	87-A10-060-080	0E	C-CAP,S 0.18-16 K B	HTNM	AV-D37
O	PROLOGIC	C 0869	87-010-166-080	0E	C-CAP,S 100P-50 J SL	HCNM	AV-D37
O	PROLOGIC	C 0869	87-010-166-080	0E	C-CAP,S 100P-50 J SL	HRJNM	AV-D37
O	PROLOGIC	C 0869	87-010-166-080	0E	C-CAP,S 100P-50 J SL	HTNM	AV-D37

# PARTS LIST

! =  $\Delta$  SAFTY PARTS

C = Components marked

All components used on this model at the production line are shown in this service manual.

However, please note that not all components will be available as spare parts for after-sales service.

Components marked S and O are designated as spare parts for service and will be stocked at the spare parts centers.

Components marked X and R are not designated as spare parts for after sales service, and will not be stocked at the spare parts centers.

K NO. = Only use japanese.

! C	UNIT NAME	REF NO.	PARTS CODE	K NO.	DESCRIPTION	SUFFIX	MODEL NAME
O	PROLOGIC	C 0869	87-010-166-080	0E	C-CAP,S 100P-50 J SL	HTNM	AV-D37
O	PROLOGIC	C 0870	87-010-166-080	0E	C-CAP,S 100P-50 J SL	HCNM	AV-D37
O	PROLOGIC	C 0870	87-010-166-080	0E	C-CAP,S 100P-50 J SL	HRJNM	AV-D37
O	PROLOGIC	C 0870	87-010-166-080	0E	C-CAP,S 100P-50 J SL	HTNM	AV-D37
O	PROLOGIC	C 0871	87-010-166-080	0E	C-CAP,S 100P-50 J SL	HCNM	AV-D37
O	PROLOGIC	C 0871	87-010-166-080	0E	C-CAP,S 100P-50 J SL	HRJNM	AV-D37
O	PROLOGIC	C 0871	87-010-166-080	0E	C-CAP,S 100P-50 J SL	HTNM	AV-D37
O	PROLOGIC	C 0872	87-016-081-080	0E	C-CAP,S 0.1-16 K R GRM	HCNM	AV-D37
O	PROLOGIC	C 0872	87-016-081-080	0E	C-CAP,S 0.1-16 K R GRM	HRJNM	AV-D37
O	PROLOGIC	C 0872	87-016-081-080	0E	C-CAP,S 0.1-16 K R GRM	HTNM	AV-D37
O	PROLOGIC	C 0873	87-016-081-080	0E	C-CAP,S 0.1-16 K R GRM	HCNM	AV-D37
O	PROLOGIC	C 0873	87-016-081-080	0E	C-CAP,S 0.1-16 K R GRM	HRJNM	AV-D37
O	PROLOGIC	C 0873	87-016-081-080	0E	C-CAP,S 0.1-16 K R GRM	HTNM	AV-D37
O	PROLOGIC	C 0878	87-010-401-080	0E	CAP,E 1-50 M 11L SME	HCNM	AV-D37
O	PROLOGIC	C 0878	87-010-401-080	0E	CAP,E 1-50 M 11L SME	HRJNM	AV-D37
O	PROLOGIC	C 0878	87-010-401-080	0E	CAP,E 1-50 M 11L SME	HTNM	AV-D37
O	PROLOGIC	C 0891	87-010-404-080	0E	CAP,E 4.7-50 M 11L SME	HCNM	AV-D37
O	PROLOGIC	C 0891	87-010-404-080	0E	CAP,E 4.7-50 M 11L SME	HRJNM	AV-D37
O	PROLOGIC	C 0891	87-010-404-080	0E	CAP,E 4.7-50 M 11L SME	HTNM	AV-D37
O	PROLOGIC	C 0892	87-010-404-080	0E	CAP,E 4.7-50 M 11L SME	HCNM	AV-D37
O	PROLOGIC	C 0892	87-010-404-080	0E	CAP,E 4.7-50 M 11L SME	HRJNM	AV-D37
O	PROLOGIC	C 0892	87-010-404-080	0E	CAP,E 4.7-50 M 11L SME	HTNM	AV-D37
!	O PROLOGIC	CN 0703	87-A60-060-010	0E	CONN,07P V 9604S-07C	HCNM	AV-D37
!	O PROLOGIC	CN 0703	87-A60-060-010	0E	CONN,07P V 9604S-07C	HRJNM	AV-D37
!	O PROLOGIC	CN 0703	87-A60-060-010	0E	CONN,07P V 9604S-07C	HTNM	AV-D37
O	PROLOGIC	CN 0801	87-099-556-010	0E	CONN,10P H TUC-P10X-B1	HCNM	AV-D37
O	PROLOGIC	CN 0801	87-099-556-010	0E	CONN,10P H TUC-P10X-B1	HRJNM	AV-D37
O	PROLOGIC	CN 0801	87-099-556-010	0E	CONN,10P H TUC-P10X-B1	HTNM	AV-D37
!	O PROLOGIC	CN 0802	87-099-559-010	1A	CONN,13P H TUC-P13X-B1	HCNM	AV-D37
!	O PROLOGIC	CN 0802	87-099-559-010	1A	CONN,13P H TUC-P13X-B1	HRJNM	AV-D37
!	O PROLOGIC	CN 0802	87-099-559-010	1A	CONN,13P H TUC-P13X-B1	HTNM	AV-D37
S	PROLOGIC	D 0802	87-070-136-080	0E	ZENER,MTZJ5.1B	HCNM	AV-D37
S	PROLOGIC	D 0802	87-070-136-080	0E	ZENER,MTZJ5.1B	HRJNM	AV-D37
S	PROLOGIC	D 0802	87-070-136-080	0E	ZENER,MTZJ5.1B	HTNM	AV-D37
S	PROLOGIC	D 0803	87-A40-438-080	0E	ZENER,MTZJ4.7A	HCNM	AV-D37
S	PROLOGIC	D 0803	87-A40-438-080	0E	ZENER,MTZJ4.7A	HRJNM	AV-D37
S	PROLOGIC	D 0803	87-A40-438-080	0E	ZENER,MTZJ4.7A	HTNM	AV-D37
S	PROLOGIC	D 0804	87-A40-438-080	0E	ZENER,MTZJ4.7A	HCNM	AV-D37
S	PROLOGIC	D 0804	87-A40-438-080	0E	ZENER,MTZJ4.7A	HRJNM	AV-D37
S	PROLOGIC	D 0804	87-A40-438-080	0E	ZENER,MTZJ4.7A	HTNM	AV-D37
S	PROLOGIC	D 0805	87-020-465-080	0E	DIODE,1SS133	HCNM	AV-D37
S	PROLOGIC	D 0805	87-020-465-080	0E	DIODE,1SS133	HRJNM	AV-D37
S	PROLOGIC	D 0805	87-020-465-080	0E	DIODE,1SS133	HTNM	AV-D37
S	PROLOGIC	IC 0801	87-A21-097-040	2M	C-IC,M62463AFP	HCNM	AV-D37
S	PROLOGIC	IC 0801	87-A21-097-040	2M	C-IC,M62463AFP	HRJNM	AV-D37
S	PROLOGIC	IC 0801	87-A21-097-040	2M	C-IC,M62463AFP	HTNM	AV-D37
S	PROLOGIC	IC 0802	87-020-784-080	1B	C-IC,TC4053BF	HCNM	AV-D37
S	PROLOGIC	IC 0802	87-020-784-080	1B	C-IC,TC4053BF	HRJNM	AV-D37
S	PROLOGIC	IC 0802	87-020-784-080	1B	C-IC,TC4053BF	HTNM	AV-D37
S	PROLOGIC	IC 0803	87-020-784-080	1B	C-IC,TC4053BF	HCNM	AV-D37
S	PROLOGIC	IC 0803	87-020-784-080	1B	C-IC,TC4053BF	HRJNM	AV-D37
S	PROLOGIC	IC 0831	87-A21-015-040	1F	C-IC,M62491FP	HCNM	AV-D37
S	PROLOGIC	IC 0831	87-A21-015-040	1F	C-IC,M62491FP	HRJNM	AV-D37
S	PROLOGIC	IC 0831	87-A21-015-040	1F	C-IC,M62491FP	HTNM	AV-D37
X	PROLOGIC	JR 0612	88-118-000-080	0E	C-JUMPER,S	HCNM	AV-D37
X	PROLOGIC	JR 0612	88-118-000-080	0E	C-JUMPER,S	HRJNM	AV-D37
X	PROLOGIC	JR 0612	88-118-000-080	0E	C-JUMPER,S	HTNM	AV-D37
X	PROLOGIC	JR 0801	88-118-000-080	0E	C-JUMPER,S	HCNM	AV-D37
X	PROLOGIC	JR 0801	88-118-000-080	0E	C-JUMPER,S	HRJNM	AV-D37
X	PROLOGIC	JR 0801	88-118-000-080	0E	C-JUMPER,S	HTNM	AV-D37
X	PROLOGIC	JR 0803	88-118-000-080	0E	C-JUMPER,S	HCNM	AV-D37
X	PROLOGIC	JR 0803	88-118-000-080	0E	C-JUMPER,S	HRJNM	AV-D37
X	PROLOGIC	JR 0803	88-118-000-080	0E	C-JUMPER,S	HTNM	AV-D37
X	PROLOGIC	JR 0804	88-118-000-080	0E	C-JUMPER,S	HCNM	AV-D37
X	PROLOGIC	JR 0804	88-118-000-080	0E	C-JUMPER,S	HRJNM	AV-D37
X	PROLOGIC	JR 0804	88-118-000-080	0E	C-JUMPER,S	HTNM	AV-D37
X	PROLOGIC	JR 0805	88-118-000-080	0E	C-JUMPER,S	HCNM	AV-D37
X	PROLOGIC	JR 0805	88-118-000-080	0E	C-JUMPER,S	HRJNM	AV-D37
X	PROLOGIC	JR 0805	88-118-000-080	0E	C-JUMPER,S	HTNM	AV-D37



# PARTS LIST

! =  $\Delta$  SAFTY PARTS  
 C = Components marked

All components used on this model at the production line are shown in this service manual.

However, please note that not all components will be available as spare parts for after-sales service.

Components marked S and O are designated as spare parts for service and will be stocked at the spare parts centers.

Components marked X and R are not designated as spare parts for after sales service, and will not be stocked at the spare parts centers.

K NO. = Only use japanese.

! C	UNIT NAME	REF NO.	PARTS CODE	K NO.	DESCRIPTION	SUFFIX	MODEL NAME
X	PROLOGIC	JR 0806	88-118-000-080	0E	C-JUMPER, S	HCNM	AV-D37
X	PROLOGIC	JR 0806	88-118-000-080	0E	C-JUMPER, S	HRJNM	AV-D37
X	PROLOGIC	JR 0806	88-118-000-080	0E	C-JUMPER, S	HTNM	AV-D37
X	PROLOGIC	JR 0807	88-129-000-080	0E	C-JUMPER, 3216	HCNM	AV-D37
X	PROLOGIC	JR 0807	88-129-000-080	0E	C-JUMPER, 3216	HRJNM	AV-D37
X	PROLOGIC	JR 0807	88-129-000-080	0E	C-JUMPER, 3216	HTNM	AV-D37
X	PROLOGIC	JR 0808	88-118-000-080	0E	C-JUMPER, S	HCNM	AV-D37
X	PROLOGIC	JR 0808	88-118-000-080	0E	C-JUMPER, S	HRJNM	AV-D37
X	PROLOGIC	JR 0808	88-118-000-080	0E	C-JUMPER, S	HTNM	AV-D37
X	PROLOGIC	JR 0809	88-118-000-080	0E	C-JUMPER, S	HCNM	AV-D37
X	PROLOGIC	JR 0809	88-118-000-080	0E	C-JUMPER, S	HRJNM	AV-D37
X	PROLOGIC	JR 0809	88-118-000-080	0E	C-JUMPER, S	HTNM	AV-D37
X	PROLOGIC	JR 0812	88-129-000-080	0E	C-JUMPER, 3216	HCNM	AV-D37
X	PROLOGIC	JR 0812	88-129-000-080	0E	C-JUMPER, 3216	HRJNM	AV-D37
X	PROLOGIC	JR 0812	88-129-000-080	0E	C-JUMPER, 3216	HTNM	AV-D37
X	PROLOGIC	JR 0813	88-129-000-080	0E	C-JUMPER, 3216	HCNM	AV-D37
X	PROLOGIC	JR 0813	88-129-000-080	0E	C-JUMPER, 3216	HRJNM	AV-D37
X	PROLOGIC	JR 0813	88-129-000-080	0E	C-JUMPER, 3216	HTNM	AV-D37
X	PROLOGIC	JR 0814	88-118-000-080	0E	C-JUMPER, S	HCNM	AV-D37
X	PROLOGIC	JR 0814	88-118-000-080	0E	C-JUMPER, S	HRJNM	AV-D37
X	PROLOGIC	JR 0814	88-118-000-080	0E	C-JUMPER, S	HTNM	AV-D37
X	PROLOGIC	JR 0816	88-118-000-080	0E	C-JUMPER, S	HCNM	AV-D37
X	PROLOGIC	JR 0816	88-118-000-080	0E	C-JUMPER, S	HRJNM	AV-D37
X	PROLOGIC	JR 0816	88-118-000-080	0E	C-JUMPER, S	HTNM	AV-D37
X	PROLOGIC	JR 0817	88-118-000-080	0E	C-JUMPER, S	HCNM	AV-D37
X	PROLOGIC	JR 0817	88-118-000-080	0E	C-JUMPER, S	HRJNM	AV-D37
X	PROLOGIC	JR 0817	88-118-000-080	0E	C-JUMPER, S	HTNM	AV-D37
X	PROLOGIC	JR 0818	88-118-000-080	0E	C-JUMPER, S	HCNM	AV-D37
X	PROLOGIC	JR 0818	88-118-000-080	0E	C-JUMPER, S	HRJNM	AV-D37
X	PROLOGIC	JR 0818	88-118-000-080	0E	C-JUMPER, S	HTNM	AV-D37
X	PROLOGIC	JR 0820	88-118-000-080	0E	C-JUMPER, S	HCNM	AV-D37
X	PROLOGIC	JR 0820	88-118-000-080	0E	C-JUMPER, S	HRJNM	AV-D37
X	PROLOGIC	JR 0820	88-118-000-080	0E	C-JUMPER, S	HTNM	AV-D37
X	PROLOGIC	JR 0821	88-118-000-080	0E	C-JUMPER, S	HCNM	AV-D37
X	PROLOGIC	JR 0821	88-118-000-080	0E	C-JUMPER, S	HRJNM	AV-D37
X	PROLOGIC	JR 0821	88-118-000-080	0E	C-JUMPER, S	HTNM	AV-D37
X	PROLOGIC	JR 0823	88-118-000-080	0E	C-JUMPER, S	HCNM	AV-D37
X	PROLOGIC	JR 0823	88-118-000-080	0E	C-JUMPER, S	HRJNM	AV-D37
X	PROLOGIC	JR 0823	88-118-000-080	0E	C-JUMPER, S	HTNM	AV-D37
X	PROLOGIC	JR 0824	88-118-000-080	0E	C-JUMPER, S	HCNM	AV-D37
X	PROLOGIC	JR 0824	88-118-000-080	0E	C-JUMPER, S	HRJNM	AV-D37
X	PROLOGIC	JR 0824	88-118-000-080	0E	C-JUMPER, S	HTNM	AV-D37
X	PROLOGIC	JR 0825	88-118-000-080	0E	C-JUMPER, S	HCNM	AV-D37
X	PROLOGIC	JR 0825	88-118-000-080	0E	C-JUMPER, S	HRJNM	AV-D37
X	PROLOGIC	JR 0825	88-118-000-080	0E	C-JUMPER, S	HTNM	AV-D37
X	PROLOGIC	JR 0827	88-118-000-080	0E	C-JUMPER, S	HCNM	AV-D37
X	PROLOGIC	JR 0827	88-118-000-080	0E	C-JUMPER, S	HRJNM	AV-D37
X	PROLOGIC	JR 0827	88-118-000-080	0E	C-JUMPER, S	HTNM	AV-D37
X	PROLOGIC	JR 0828	88-118-000-080	0E	C-JUMPER, S	HCNM	AV-D37
X	PROLOGIC	JR 0828	88-118-000-080	0E	C-JUMPER, S	HRJNM	AV-D37
X	PROLOGIC	JR 0828	88-118-000-080	0E	C-JUMPER, S	HTNM	AV-D37
X	PROLOGIC	JR 0828	88-118-000-080	0E	C-JUMPER, S	HTNM	AV-D37
S	PROLOGIC	Q 0801	87-026-210-080	0E	C-TR, DTC144EK	HCNM	AV-D37
S	PROLOGIC	Q 0801	87-026-210-080	0E	C-TR, DTC144EK	HRJNM	AV-D37
S	PROLOGIC	Q 0801	87-026-210-080	0E	C-TR, DTC144EK	HTNM	AV-D37
S	PROLOGIC	Q 0834	87-A30-076-080	0E	C-TR, 2SC3052F	HCNM	AV-D37
S	PROLOGIC	Q 0834	87-A30-076-080	0E	C-TR, 2SC3052F	HRJNM	AV-D37
S	PROLOGIC	Q 0834	87-A30-076-080	0E	C-TR, 2SC3052F	HTNM	AV-D37
X	PROLOGIC	R 0801	88-118-154-080	0E	C-RES, S 150K-1/10W J	HCNM	AV-D37
X	PROLOGIC	R 0801	88-118-154-080	0E	C-RES, S 150K-1/10W J	HRJNM	AV-D37
X	PROLOGIC	R 0801	88-118-154-080	0E	C-RES, S 150K-1/10W J	HTNM	AV-D37
X	PROLOGIC	R 0802	88-118-154-080	0E	C-RES, S 150K-1/10W J	HCNM	AV-D37
X	PROLOGIC	R 0802	88-118-154-080	0E	C-RES, S 150K-1/10W J	HRJNM	AV-D37
X	PROLOGIC	R 0802	88-118-154-080	0E	C-RES, S 150K-1/10W J	HTNM	AV-D37
X	PROLOGIC	R 0803	88-118-473-080	0E	C-RES, S 47K-1/10W J	HCNM	AV-D37
X	PROLOGIC	R 0803	88-118-473-080	0E	C-RES, S 47K-1/10W J	HRJNM	AV-D37
X	PROLOGIC	R 0803	88-118-473-080	0E	C-RES, S 47K-1/10W J	HTNM	AV-D37
X	PROLOGIC	R 0804	88-118-473-080	0E	C-RES, S 47K-1/10W J	HCNM	AV-D37
X	PROLOGIC	R 0804	88-118-473-080	0E	C-RES, S 47K-1/10W J	HRJNM	AV-D37
X	PROLOGIC	R 0804	88-118-473-080	0E	C-RES, S 47K-1/10W J	HTNM	AV-D37
X	PROLOGIC	R 0805	88-118-753-080	0E	C-RES, S 75K-1/10W J	HCNM	AV-D37

# PARTS LIST

! =  $\Delta$  SAFTY PARTS  
 C = Components marked

All components used on this model at the production line are shown in this service manual.

However, please note that not all components will be available as spare parts for after-sales service.

Components marked S and O are designated as spare parts for service and will be stocked at the spare parts centers.

Components marked X and R are not designated as spare parts for after sales service, and will not be stocked at the spare parts centers.

K NO. = Only use japanese.

! C	UNIT NAME	REF NO.	PARTS CODE	K NO.	DESCRIPTION	SUFFIX	MODEL NAME
X	PROLOGIC	R 0805	88-118-753-080	0E	C-RES,S 75K-1/10W J	HRJNM	AV-D37
X	PROLOGIC	R 0805	88-118-753-080	0E	C-RES,S 75K-1/10W J	HTNM	AV-D37
X	PROLOGIC	R 0806	88-118-753-080	0E	C-RES,S 75K-1/10W J	HCNM	AV-D37
X	PROLOGIC	R 0806	88-118-753-080	0E	C-RES,S 75K-1/10W J	HRJNM	AV-D37
X	PROLOGIC	R 0806	88-118-753-080	0E	C-RES,S 75K-1/10W J	HTNM	AV-D37
O	PROLOGIC	R 0807	87-022-365-080	0E	C-RES,S 100K-1/10W F	HCNM	AV-D37
O	PROLOGIC	R 0807	87-022-365-080	0E	C-RES,S 100K-1/10W F	HRJNM	AV-D37
O	PROLOGIC	R 0807	87-022-365-080	0E	C-RES,S 100K-1/10W F	HTNM	AV-D37
X	PROLOGIC	R 0808	88-118-104-080	0E	C-RES,S 100K-1/10W J	HCNM	AV-D37
X	PROLOGIC	R 0808	88-118-104-080	0E	C-RES,S 100K-1/10W J	HRJNM	AV-D37
X	PROLOGIC	R 0808	88-118-104-080	0E	C-RES,S 100K-1/10W J	HTNM	AV-D37
X	PROLOGIC	R 0809	88-121-101-080	0E	RES,100-1/8W J	HCNM	AV-D37
X	PROLOGIC	R 0809	88-121-101-080	0E	RES,100-1/8W J	HRJNM	AV-D37
X	PROLOGIC	R 0809	88-121-101-080	0E	RES,100-1/8W J	HTNM	AV-D37
X	PROLOGIC	R 0810	88-118-102-080	0E	C-RES,S 1K-1/10W J	HCNM	AV-D37
X	PROLOGIC	R 0810	88-118-102-080	0E	C-RES,S 1K-1/10W J	HRJNM	AV-D37
X	PROLOGIC	R 0810	88-118-102-080	0E	C-RES,S 1K-1/10W J	HTNM	AV-D37
X	PROLOGIC	R 0811	88-118-102-080	0E	C-RES,S 1K-1/10W J	HCNM	AV-D37
X	PROLOGIC	R 0811	88-118-102-080	0E	C-RES,S 1K-1/10W J	HRJNM	AV-D37
X	PROLOGIC	R 0811	88-118-102-080	0E	C-RES,S 1K-1/10W J	HTNM	AV-D37
X	PROLOGIC	R 0812	88-118-102-080	0E	C-RES,S 1K-1/10W J	HCNM	AV-D37
X	PROLOGIC	R 0812	88-118-102-080	0E	C-RES,S 1K-1/10W J	HRJNM	AV-D37
X	PROLOGIC	R 0812	88-118-102-080	0E	C-RES,S 1K-1/10W J	HTNM	AV-D37
X	PROLOGIC	R 0813	88-118-563-080	0E	C-RES,S 56K-1/10W J	HCNM	AV-D37
X	PROLOGIC	R 0813	88-118-563-080	0E	C-RES,S 56K-1/10W J	HRJNM	AV-D37
X	PROLOGIC	R 0813	88-118-563-080	0E	C-RES,S 56K-1/10W J	HTNM	AV-D37
X	PROLOGIC	R 0814	88-118-563-080	0E	C-RES,S 56K-1/10W J	HCNM	AV-D37
X	PROLOGIC	R 0814	88-118-563-080	0E	C-RES,S 56K-1/10W J	HRJNM	AV-D37
X	PROLOGIC	R 0814	88-118-563-080	0E	C-RES,S 56K-1/10W J	HTNM	AV-D37
X	PROLOGIC	R 0815	88-118-563-080	0E	C-RES,S 56K-1/10W J	HCNM	AV-D37
X	PROLOGIC	R 0815	88-118-563-080	0E	C-RES,S 56K-1/10W J	HRJNM	AV-D37
X	PROLOGIC	R 0815	88-118-563-080	0E	C-RES,S 56K-1/10W J	HTNM	AV-D37
X	PROLOGIC	R 0816	88-118-334-080	0E	C-RES,S 330K-1/10W J	HCNM	AV-D37
X	PROLOGIC	R 0816	88-118-334-080	0E	C-RES,S 330K-1/10W J	HRJNM	AV-D37
X	PROLOGIC	R 0816	88-118-334-080	0E	C-RES,S 330K-1/10W J	HTNM	AV-D37
X	PROLOGIC	R 0817	88-121-151-080	0E	RES,150-1/8W J	HCNM	AV-D37
X	PROLOGIC	R 0817	88-121-151-080	0E	RES,150-1/8W J	HRJNM	AV-D37
X	PROLOGIC	R 0817	88-121-151-080	0E	RES,150-1/8W J	HTNM	AV-D37
X	PROLOGIC	R 0818	88-129-000-080	0E	C-JUMPER,3216	HCNM	AV-D37
X	PROLOGIC	R 0818	88-129-000-080	0E	C-JUMPER,3216	HRJNM	AV-D37
X	PROLOGIC	R 0818	88-129-000-080	0E	C-JUMPER,3216	HTNM	AV-D37
X	PROLOGIC	R 0819	88-129-000-080	0E	C-JUMPER,3216	HCNM	AV-D37
X	PROLOGIC	R 0819	88-129-000-080	0E	C-JUMPER,3216	HRJNM	AV-D37
X	PROLOGIC	R 0819	88-129-000-080	0E	C-JUMPER,3216	HTNM	AV-D37
X	PROLOGIC	R 0820	88-128-100-080	0E	C-RES, 10-1/8W J	HCNM	AV-D37
X	PROLOGIC	R 0820	88-128-100-080	0E	C-RES, 10-1/8W J	HRJNM	AV-D37
X	PROLOGIC	R 0820	88-128-100-080	0E	C-RES, 10-1/8W J	HTNM	AV-D37
X	PROLOGIC	R 0821	88-129-000-080	0E	C-JUMPER,3216	HCNM	AV-D37
X	PROLOGIC	R 0821	88-129-000-080	0E	C-JUMPER,3216	HRJNM	AV-D37
X	PROLOGIC	R 0821	88-129-000-080	0E	C-JUMPER,3216	HTNM	AV-D37
X	PROLOGIC	R 0822	88-129-000-080	0E	C-JUMPER,3216	HCNM	AV-D37
X	PROLOGIC	R 0822	88-129-000-080	0E	C-JUMPER,3216	HRJNM	AV-D37
X	PROLOGIC	R 0822	88-129-000-080	0E	C-JUMPER,3216	HTNM	AV-D37
X	PROLOGIC	R 0823	88-118-101-080	0E	C-RES,S 100-1/10W J	HCNM	AV-D37
X	PROLOGIC	R 0823	88-118-101-080	0E	C-RES,S 100-1/10W J	HRJNM	AV-D37
X	PROLOGIC	R 0823	88-118-101-080	0E	C-RES,S 100-1/10W J	HTNM	AV-D37
X	PROLOGIC	R 0824	88-118-101-080	0E	C-RES,S 100-1/10W J	HCNM	AV-D37
X	PROLOGIC	R 0824	88-118-101-080	0E	C-RES,S 100-1/10W J	HRJNM	AV-D37
X	PROLOGIC	R 0824	88-118-101-080	0E	C-RES,S 100-1/10W J	HTNM	AV-D37
X	PROLOGIC	R 0825	88-118-101-080	0E	C-RES,S 100-1/10W J	HCNM	AV-D37
X	PROLOGIC	R 0825	88-118-101-080	0E	C-RES,S 100-1/10W J	HRJNM	AV-D37
X	PROLOGIC	R 0825	88-118-101-080	0E	C-RES,S 100-1/10W J	HTNM	AV-D37
X	PROLOGIC	R 0826	88-118-101-080	0E	C-RES,S 100-1/10W J	HCNM	AV-D37
X	PROLOGIC	R 0826	88-118-101-080	0E	C-RES,S 100-1/10W J	HRJNM	AV-D37
X	PROLOGIC	R 0826	88-118-101-080	0E	C-RES,S 100-1/10W J	HTNM	AV-D37
X	PROLOGIC	R 0831	88-121-332-080	0E	RES,3.3K-1/8W J	HCNM	AV-D37
X	PROLOGIC	R 0831	88-121-332-080	0E	RES,3.3K-1/8W J	HRJNM	AV-D37
X	PROLOGIC	R 0831	88-121-332-080	0E	RES,3.3K-1/8W J	HTNM	AV-D37
O	PROLOGIC	R 0832	87-016-552-080	0E	C-CAP,S 0.082-16 K B C2012	HCNM	AV-D37
O	PROLOGIC	R 0832	87-016-552-080	0E	C-CAP,S 0.082-16 K B C2012	HRJNM	AV-D37

# PARTS LIST

! =  $\Delta$  SAFTY PARTS  
 C = Components marked

All components used on this model at the production line are shown in this service manual.

However, please note that not all components will be available as spare parts for after-sales service.

Components marked S and O are designated as spare parts for service and will be stocked at the spare parts centers.

Components marked X and R are not designated as spare parts for after sales service, and will not be stocked at the spare parts centers.

K NO. = Only use japanese.

! C	UNIT NAME	REF NO.	PARTS CODE	K NO.	DESCRIPTION	SUFFIX	MODEL NAME
O	PROLOGIC	R 0832	87-016-552-080	0E	C-CAP,S 0.082-16 K B C2012	HTNM	AV-D37
X	PROLOGIC	R 0833	88-118-332-080	0E	C-RES,S 3.3K-1/10W J	HCNM	AV-D37
X	PROLOGIC	R 0833	88-118-332-080	0E	C-RES,S 3.3K-1/10W J	HRJNM	AV-D37
X	PROLOGIC	R 0833	88-118-332-080	0E	C-RES,S 3.3K-1/10W J	HTNM	AV-D37
O	PROLOGIC	R 0834	87-016-552-080	0E	C-CAP,S 0.082-16 K B C2012	HCNM	AV-D37
O	PROLOGIC	R 0834	87-016-552-080	0E	C-CAP,S 0.082-16 K B C2012	HRJNM	AV-D37
O	PROLOGIC	R 0834	87-016-552-080	0E	C-CAP,S 0.082-16 K B C2012	HTNM	AV-D37
X	PROLOGIC	R 0838	88-118-102-080	0E	C-RES,S 1K-1/10W J	HCNM	AV-D37
X	PROLOGIC	R 0838	88-118-102-080	0E	C-RES,S 1K-1/10W J	HRJNM	AV-D37
X	PROLOGIC	R 0838	88-118-102-080	0E	C-RES,S 1K-1/10W J	HTNM	AV-D37
X	PROLOGIC	R 0839	88-118-102-080	0E	C-RES,S 1K-1/10W J	HCNM	AV-D37
X	PROLOGIC	R 0839	88-118-102-080	0E	C-RES,S 1K-1/10W J	HRJNM	AV-D37
X	PROLOGIC	R 0839	88-118-102-080	0E	C-RES,S 1K-1/10W J	HTNM	AV-D37
X	PROLOGIC	R 0840	88-118-102-080	0E	C-RES,S 1K-1/10W J	HCNM	AV-D37
X	PROLOGIC	R 0840	88-118-102-080	0E	C-RES,S 1K-1/10W J	HRJNM	AV-D37
X	PROLOGIC	R 0840	88-118-102-080	0E	C-RES,S 1K-1/10W J	HTNM	AV-D37
X	PROLOGIC	R 0841	88-118-333-080	0E	C-RES,S 33K-1/10W J	HCNM	AV-D37
X	PROLOGIC	R 0841	88-118-333-080	0E	C-RES,S 33K-1/10W J	HRJNM	AV-D37
X	PROLOGIC	R 0841	88-118-333-080	0E	C-RES,S 33K-1/10W J	HTNM	AV-D37
X	PROLOGIC	R 0842	88-118-333-080	0E	C-RES,S 33K-1/10W J	HCNM	AV-D37
X	PROLOGIC	R 0842	88-118-333-080	0E	C-RES,S 33K-1/10W J	HRJNM	AV-D37
X	PROLOGIC	R 0842	88-118-333-080	0E	C-RES,S 33K-1/10W J	HTNM	AV-D37
X	PROLOGIC	R 0843	88-118-333-080	0E	C-RES,S 33K-1/10W J	HCNM	AV-D37
X	PROLOGIC	R 0843	88-118-333-080	0E	C-RES,S 33K-1/10W J	HRJNM	AV-D37
X	PROLOGIC	R 0843	88-118-333-080	0E	C-RES,S 33K-1/10W J	HTNM	AV-D37
X	PROLOGIC	R 0844	88-118-393-080	0E	C-RES,S 39K-1/10W J	HCNM	AV-D37
X	PROLOGIC	R 0844	88-118-393-080	0E	C-RES,S 39K-1/10W J	HRJNM	AV-D37
X	PROLOGIC	R 0844	88-118-393-080	0E	C-RES,S 39K-1/10W J	HTNM	AV-D37
X	PROLOGIC	R 0845	88-118-393-080	0E	C-RES,S 39K-1/10W J	HCNM	AV-D37
X	PROLOGIC	R 0845	88-118-393-080	0E	C-RES,S 39K-1/10W J	HRJNM	AV-D37
X	PROLOGIC	R 0845	88-118-393-080	0E	C-RES,S 39K-1/10W J	HTNM	AV-D37
X	PROLOGIC	R 0846	88-118-562-080	0E	C-RES,S 5.6K-1/10W J	HCNM	AV-D37
X	PROLOGIC	R 0846	88-118-562-080	0E	C-RES,S 5.6K-1/10W J	HRJNM	AV-D37
X	PROLOGIC	R 0846	88-118-562-080	0E	C-RES,S 5.6K-1/10W J	HTNM	AV-D37
X	PROLOGIC	R 0847	88-118-104-080	0E	C-RES,S 100K-1/10W J	HCNM	AV-D37
X	PROLOGIC	R 0847	88-118-104-080	0E	C-RES,S 100K-1/10W J	HRJNM	AV-D37
X	PROLOGIC	R 0847	88-118-104-080	0E	C-RES,S 100K-1/10W J	HTNM	AV-D37
X	PROLOGIC	R 0848	88-118-104-080	0E	C-RES,S 100K-1/10W J	HCNM	AV-D37
X	PROLOGIC	R 0848	88-118-104-080	0E	C-RES,S 100K-1/10W J	HRJNM	AV-D37
X	PROLOGIC	R 0848	88-118-104-080	0E	C-RES,S 100K-1/10W J	HTNM	AV-D37
X	PROLOGIC	R 0849	88-118-223-080	0E	C-RES,S 22K-1/10W J	HCNM	AV-D37
X	PROLOGIC	R 0849	88-118-223-080	0E	C-RES,S 22K-1/10W J	HRJNM	AV-D37
X	PROLOGIC	R 0849	88-118-223-080	0E	C-RES,S 22K-1/10W J	HTNM	AV-D37
X	PROLOGIC	R 0850	88-118-223-080	0E	C-RES,S 22K-1/10W J	HCNM	AV-D37
X	PROLOGIC	R 0850	88-118-223-080	0E	C-RES,S 22K-1/10W J	HRJNM	AV-D37
X	PROLOGIC	R 0850	88-118-223-080	0E	C-RES,S 22K-1/10W J	HTNM	AV-D37
X	PROLOGIC	R 0851	88-118-101-080	0E	C-RES,S 100-1/10W J	HCNM	AV-D37
X	PROLOGIC	R 0851	88-118-101-080	0E	C-RES,S 100-1/10W J	HRJNM	AV-D37
X	PROLOGIC	R 0851	88-118-101-080	0E	C-RES,S 100-1/10W J	HTNM	AV-D37
X	PROLOGIC	R 0852	88-118-101-080	0E	C-RES,S 100-1/10W J	HCNM	AV-D37
X	PROLOGIC	R 0852	88-118-101-080	0E	C-RES,S 100-1/10W J	HRJNM	AV-D37
X	PROLOGIC	R 0852	88-118-101-080	0E	C-RES,S 100-1/10W J	HTNM	AV-D37
X	PROLOGIC	R 0855	88-121-103-080	0E	RES,10K-1/8W J	HCNM	AV-D37
X	PROLOGIC	R 0855	88-121-103-080	0E	RES,10K-1/8W J	HRJNM	AV-D37
X	PROLOGIC	R 0855	88-121-103-080	0E	RES,10K-1/8W J	HTNM	AV-D37
X	PROLOGIC	R 0856	88-121-103-080	0E	RES,10K-1/8W J	HCNM	AV-D37
X	PROLOGIC	R 0856	88-121-103-080	0E	RES,10K-1/8W J	HRJNM	AV-D37
X	PROLOGIC	R 0856	88-121-103-080	0E	RES,10K-1/8W J	HTNM	AV-D37
X	PROLOGIC	R 0857	88-121-101-080	0E	RES,100-1/8W J	HCNM	AV-D37
X	PROLOGIC	R 0857	88-121-101-080	0E	RES,100-1/8W J	HRJNM	AV-D37
X	PROLOGIC	R 0857	88-121-101-080	0E	RES,100-1/8W J	HTNM	AV-D37
X	PROLOGIC	R 0858	88-121-153-080	0E	RES,15K-1/8W J	HCNM	AV-D37
X	PROLOGIC	R 0858	88-121-153-080	0E	RES,15K-1/8W J	HRJNM	AV-D37
X	PROLOGIC	R 0858	88-121-153-080	0E	RES,15K-1/8W J	HTNM	AV-D37
X	PROLOGIC	R 0859	88-118-101-080	0E	C-RES,S 100-1/10W J	HCNM	AV-D37
X	PROLOGIC	R 0859	88-118-101-080	0E	C-RES,S 100-1/10W J	HRJNM	AV-D37
X	PROLOGIC	R 0859	88-118-101-080	0E	C-RES,S 100-1/10W J	HTNM	AV-D37
X	PROLOGIC	R 0861	88-118-222-080	0E	C-RES,S 2.2K-1/10W J	HCNM	AV-D37
X	PROLOGIC	R 0861	88-118-222-080	0E	C-RES,S 2.2K-1/10W J	HRJNM	AV-D37
X	PROLOGIC	R 0861	88-118-222-080	0E	C-RES,S 2.2K-1/10W J	HTNM	AV-D37

# PARTS LIST

! =  $\Delta$  SAFTY PARTS  
 C = Components marked

All components used on this model at the production line are shown in this service manual.

However, please note that not all components will be available as spare parts for after-sales service.

Components marked S and O are designated as spare parts for service and will be stocked at the spare parts centers.

Components marked X and R are not designated as spare parts for after sales service, and will not be stocked at the spare parts centers.

K NO. = Only use japanese.

! C	UNIT NAME	REF NO.	PARTS CODE	K NO.	DESCRIPTION	SUFFIX	MODEL NAME
X	PROLOGIC	R 0862	88-121-332-080	0E	RES, 3.3K-1/8W J	HCNM	AV-D37
X	PROLOGIC	R 0862	88-121-332-080	0E	RES, 3.3K-1/8W J	HRJNM	AV-D37
X	PROLOGIC	R 0862	88-121-332-080	0E	RES, 3.3K-1/8W J	HTNM	AV-D37
X	PROLOGIC	R 0863	88-121-122-080	0E	RES, 1.2K-1/8W J	HCNM	AV-D37
X	PROLOGIC	R 0863	88-121-122-080	0E	RES, 1.2K-1/8W J	HRJNM	AV-D37
X	PROLOGIC	R 0863	88-121-122-080	0E	RES, 1.2K-1/8W J	HTNM	AV-D37
X	PROLOGIC	R 0864	88-118-272-080	0E	C-RES, S 2.7K-1/10W J	HCNM	AV-D37
X	PROLOGIC	R 0864	88-118-272-080	0E	C-RES, S 2.7K-1/10W J	HRJNM	AV-D37
X	PROLOGIC	R 0864	88-118-272-080	0E	C-RES, S 2.7K-1/10W J	HTNM	AV-D37
X	PROLOGIC	R 0865	88-121-332-080	0E	RES, 3.3K-1/8W J	HCNM	AV-D37
X	PROLOGIC	R 0865	88-121-332-080	0E	RES, 3.3K-1/8W J	HRJNM	AV-D37
X	PROLOGIC	R 0865	88-121-332-080	0E	RES, 3.3K-1/8W J	HTNM	AV-D37
X	PROLOGIC	R 0866	88-121-332-080	0E	RES, 3.3K-1/8W J	HCNM	AV-D37
X	PROLOGIC	R 0866	88-121-332-080	0E	RES, 3.3K-1/8W J	HRJNM	AV-D37
X	PROLOGIC	R 0866	88-121-332-080	0E	RES, 3.3K-1/8W J	HTNM	AV-D37
X	PROLOGIC	R 0867	88-118-473-080	0E	C-RES, S 47K-1/10W J	HCNM	AV-D37
X	PROLOGIC	R 0867	88-118-473-080	0E	C-RES, S 47K-1/10W J	HRJNM	AV-D37
X	PROLOGIC	R 0867	88-118-473-080	0E	C-RES, S 47K-1/10W J	HTNM	AV-D37
X	PROLOGIC	R 0868	88-118-222-080	0E	C-RES, S 2.2K-1/10W J	HCNM	AV-D37
X	PROLOGIC	R 0868	88-118-222-080	0E	C-RES, S 2.2K-1/10W J	HRJNM	AV-D37
X	PROLOGIC	R 0868	88-118-222-080	0E	C-RES, S 2.2K-1/10W J	HTNM	AV-D37
X	PROLOGIC	R 0869	88-118-104-080	0E	C-RES, S 100K-1/10W J	HCNM	AV-D37
X	PROLOGIC	R 0869	88-118-104-080	0E	C-RES, S 100K-1/10W J	HRJNM	AV-D37
X	PROLOGIC	R 0869	88-118-104-080	0E	C-RES, S 100K-1/10W J	HTNM	AV-D37
X	PROLOGIC	R 0870	88-118-104-080	0E	C-RES, S 100K-1/10W J	HCNM	AV-D37
X	PROLOGIC	R 0870	88-118-104-080	0E	C-RES, S 100K-1/10W J	HRJNM	AV-D37
X	PROLOGIC	R 0870	88-118-104-080	0E	C-RES, S 100K-1/10W J	HTNM	AV-D37
X	PROLOGIC	R 0872	88-118-332-080	0E	C-RES, S 3.3K-1/10W J	HCNM	AV-D37
X	PROLOGIC	R 0872	88-118-332-080	0E	C-RES, S 3.3K-1/10W J	HRJNM	AV-D37
X	PROLOGIC	R 0872	88-118-332-080	0E	C-RES, S 3.3K-1/10W J	HTNM	AV-D37
X	PROLOGIC	R 0874	88-118-332-080	0E	C-RES, S 3.3K-1/10W J	HCNM	AV-D37
X	PROLOGIC	R 0874	88-118-332-080	0E	C-RES, S 3.3K-1/10W J	HRJNM	AV-D37
X	PROLOGIC	R 0874	88-118-332-080	0E	C-RES, S 3.3K-1/10W J	HTNM	AV-D37
X	PROLOGIC	R 0875	88-118-332-080	0E	C-RES, S 3.3K-1/10W J	HCNM	AV-D37
X	PROLOGIC	R 0875	88-118-332-080	0E	C-RES, S 3.3K-1/10W J	HRJNM	AV-D37
X	PROLOGIC	R 0875	88-118-332-080	0E	C-RES, S 3.3K-1/10W J	HTNM	AV-D37
X	PROLOGIC	R 0876	88-118-103-080	0E	C-RES, S 10K-1/10W J	HCNM	AV-D37
X	PROLOGIC	R 0876	88-118-103-080	0E	C-RES, S 10K-1/10W J	HRJNM	AV-D37
X	PROLOGIC	R 0876	88-118-103-080	0E	C-RES, S 10K-1/10W J	HTNM	AV-D37
X	PROLOGIC	R 0877	88-121-472-080	0E	RES, 4.7K-1/8W J	HCNM	AV-D37
X	PROLOGIC	R 0877	88-121-472-080	0E	RES, 4.7K-1/8W J	HRJNM	AV-D37
X	PROLOGIC	R 0877	88-121-472-080	0E	RES, 4.7K-1/8W J	HTNM	AV-D37
X	PROLOGIC	R 0878	88-121-472-080	0E	RES, 4.7K-1/8W J	HCNM	AV-D37
X	PROLOGIC	R 0878	88-121-472-080	0E	RES, 4.7K-1/8W J	HRJNM	AV-D37
X	PROLOGIC	R 0878	88-121-472-080	0E	RES, 4.7K-1/8W J	HTNM	AV-D37
X	PROLOGIC	R 0879	88-118-472-080	0E	C-RES, S 4.7K-1/10W J	HCNM	AV-D37
X	PROLOGIC	R 0879	88-118-472-080	0E	C-RES, S 4.7K-1/10W J	HRJNM	AV-D37
X	PROLOGIC	R 0879	88-118-472-080	0E	C-RES, S 4.7K-1/10W J	HTNM	AV-D37
X	PROLOGIC	R 0880	88-128-820-080	0E	C-RES, 82-1/8W J	HCNM	AV-D37
X	PROLOGIC	R 0880	88-128-820-080	0E	C-RES, 82-1/8W J	HRJNM	AV-D37
X	PROLOGIC	R 0880	88-128-820-080	0E	C-RES, 82-1/8W J	HTNM	AV-D37
X	PROLOGIC	R 0881	88-128-820-080	0E	C-RES, 82-1/8W J	HCNM	AV-D37
X	PROLOGIC	R 0881	88-128-820-080	0E	C-RES, 82-1/8W J	HRJNM	AV-D37
X	PROLOGIC	R 0881	88-128-820-080	0E	C-RES, 82-1/8W J	HTNM	AV-D37
X	PROLOGIC	R 0882	88-128-820-080	0E	C-RES, 82-1/8W J	HCNM	AV-D37
X	PROLOGIC	R 0882	88-128-820-080	0E	C-RES, 82-1/8W J	HRJNM	AV-D37
X	PROLOGIC	R 0882	88-128-820-080	0E	C-RES, 82-1/8W J	HTNM	AV-D37
X	PROLOGIC	R 0883	88-128-820-080	0E	C-RES, 82-1/8W J	HCNM	AV-D37
X	PROLOGIC	R 0883	88-128-820-080	0E	C-RES, 82-1/8W J	HRJNM	AV-D37
X	PROLOGIC	R 0883	88-128-820-080	0E	C-RES, 82-1/8W J	HTNM	AV-D37
X	PROLOGIC	R 0884	88-128-820-080	0E	C-RES, 82-1/8W J	HCNM	AV-D37
X	PROLOGIC	R 0884	88-128-820-080	0E	C-RES, 82-1/8W J	HRJNM	AV-D37
X	PROLOGIC	R 0884	88-128-820-080	0E	C-RES, 82-1/8W J	HTNM	AV-D37
X	PROLOGIC	R 0885	88-128-820-080	0E	C-RES, 82-1/8W J	HCNM	AV-D37
X	PROLOGIC	R 0885	88-128-820-080	0E	C-RES, 82-1/8W J	HRJNM	AV-D37
X	PROLOGIC	R 0885	88-128-820-080	0E	C-RES, 82-1/8W J	HTNM	AV-D37
X	PROLOGIC	R 0886	88-128-820-080	0E	C-RES, 82-1/8W J	HCNM	AV-D37
X	PROLOGIC	R 0886	88-128-820-080	0E	C-RES, 82-1/8W J	HRJNM	AV-D37
X	PROLOGIC	R 0886	88-128-820-080	0E	C-RES, 82-1/8W J	HTNM	AV-D37
X	PROLOGIC	R 0887	88-128-820-080	0E	C-RES, 82-1/8W J	HCNM	AV-D37

# PARTS LIST

! =  $\Delta$  SAFTY PARTS  
 C = Components marked

All components used on this model at the production line are shown in this service manual.

However, please note that not all components will be available as spare parts for after-sales service.

Components marked S and O are designated as spare parts for service and will be stocked at the spare parts centers.

Components marked X and R are not designated as spare parts for after sales service, and will not be stocked at the spare parts centers.

K NO. = Only use japanese.

! C	UNIT NAME	REF NO.	PARTS CODE	K NO.	DESCRIPTION	SUFFIX	MODEL NAME
X	PROLOGIC	R 0887	88-128-820-080	0E	C-RES, 82-1/8W J	HRJNM	AV-D37
X	PROLOGIC	R 0887	88-128-820-080	0E	C-RES, 82-1/8W J	HTNM	AV-D37
X	PROLOGIC	R 0888	88-128-820-080	0E	C-RES, 82-1/8W J	HCNM	AV-D37
X	PROLOGIC	R 0888	88-128-820-080	0E	C-RES, 82-1/8W J	HRJNM	AV-D37
X	PROLOGIC	R 0888	88-128-820-080	0E	C-RES, 82-1/8W J	HTNM	AV-D37
X	PROLOGIC	R 0889	88-121-820-080	0E	RES, 82-1/8W J	HCNM	AV-D37
X	PROLOGIC	R 0889	88-121-820-080	0E	RES, 82-1/8W J	HRJNM	AV-D37
X	PROLOGIC	R 0889	88-121-820-080	0E	RES, 82-1/8W J	HTNM	AV-D37
X	PROLOGIC	R 0890	88-121-472-080	0E	RES, 4.7K-1/8W J	HCNM	AV-D37
X	PROLOGIC	R 0890	88-121-472-080	0E	RES, 4.7K-1/8W J	HRJNM	AV-D37
X	PROLOGIC	R 0890	88-121-472-080	0E	RES, 4.7K-1/8W J	HTNM	AV-D37
X	PROLOGIC	R 0891	88-118-000-080	0E	C-JUMPER, S	HCNM	AV-D37
X	PROLOGIC	R 0891	88-118-000-080	0E	C-JUMPER, S	HRJNM	AV-D37
X	PROLOGIC	R 0891	88-118-000-080	0E	C-JUMPER, S	HTNM	AV-D37
X	PROLOGIC	R 0892	88-118-000-080	0E	C-JUMPER, S	HCNM	AV-D37
X	PROLOGIC	R 0892	88-118-000-080	0E	C-JUMPER, S	HRJNM	AV-D37
X	PROLOGIC	R 0892	88-118-000-080	0E	C-JUMPER, S	HTNM	AV-D37
X	PROLOGIC	R 0893	88-121-472-080	0E	RES, 4.7K-1/8W J	HCNM	AV-D37
X	PROLOGIC	R 0893	88-121-472-080	0E	RES, 4.7K-1/8W J	HRJNM	AV-D37
X	PROLOGIC	R 0893	88-121-472-080	0E	RES, 4.7K-1/8W J	HTNM	AV-D37
X	PROLOGIC	R 0894	88-128-103-080	0E	C-RES, 10K-1/8W J	HCNM	AV-D37
X	PROLOGIC	R 0894	88-128-103-080	0E	C-RES, 10K-1/8W J	HRJNM	AV-D37
X	PROLOGIC	R 0894	88-128-103-080	0E	C-RES, 10K-1/8W J	HTNM	AV-D37
X	PROLOGIC	R 0895	88-118-225-080	0E	C-RES, S 2.2M-1/10W J	HCNM	AV-D37
X	PROLOGIC	R 0895	88-118-225-080	0E	C-RES, S 2.2M-1/10W J	HRJNM	AV-D37
X	PROLOGIC	R 0895	88-118-225-080	0E	C-RES, S 2.2M-1/10W J	HTNM	AV-D37
X	PROLOGIC	R 0896	88-121-472-080	0E	RES, 4.7K-1/8W J	HCNM	AV-D37
X	PROLOGIC	R 0896	88-121-472-080	0E	RES, 4.7K-1/8W J	HRJNM	AV-D37
X	PROLOGIC	R 0896	88-121-472-080	0E	RES, 4.7K-1/8W J	HTNM	AV-D37
X	PROLOGIC	R 0897	88-118-472-080	0E	C-RES, S 4.7K-1/10W J	HCNM	AV-D37
X	PROLOGIC	R 0897	88-118-472-080	0E	C-RES, S 4.7K-1/10W J	HRJNM	AV-D37
X	PROLOGIC	R 0897	88-118-472-080	0E	C-RES, S 4.7K-1/10W J	HTNM	AV-D37
X	PROLOGIC	R 0898	88-118-103-080	0E	C-RES, S 10K-1/10W J	HCNM	AV-D37
X	PROLOGIC	R 0898	88-118-103-080	0E	C-RES, S 10K-1/10W J	HRJNM	AV-D37
X	PROLOGIC	R 0898	88-118-103-080	0E	C-RES, S 10K-1/10W J	HTNM	AV-D37
X	PROLOGIC	R 0910	88-118-153-080	0E	C-RES, S 15K-1/10W J	HCNM	AV-D37
X	PROLOGIC	R 0910	88-118-153-080	0E	C-RES, S 15K-1/10W J	HRJNM	AV-D37
X	PROLOGIC	R 0910	88-118-153-080	0E	C-RES, S 15K-1/10W J	HTNM	AV-D37
X	PROLOGIC	R 0911	88-118-472-080	0E	C-RES, S 4.7K-1/10W J	HCNM	AV-D37
X	PROLOGIC	R 0911	88-118-472-080	0E	C-RES, S 4.7K-1/10W J	HRJNM	AV-D37
X	PROLOGIC	R 0911	88-118-472-080	0E	C-RES, S 4.7K-1/10W J	HTNM	AV-D37
X	PROLOGIC	R 0912	88-118-472-080	0E	C-RES, S 4.7K-1/10W J	HCNM	AV-D37
X	PROLOGIC	R 0912	88-118-472-080	0E	C-RES, S 4.7K-1/10W J	HRJNM	AV-D37
X	PROLOGIC	R 0912	88-118-472-080	0E	C-RES, S 4.7K-1/10W J	HTNM	AV-D37
X	PROLOGIC	R 0913	88-118-472-080	0E	C-RES, S 4.7K-1/10W J	HCNM	AV-D37
X	PROLOGIC	R 0913	88-118-472-080	0E	C-RES, S 4.7K-1/10W J	HRJNM	AV-D37
X	PROLOGIC	R 0913	88-118-472-080	0E	C-RES, S 4.7K-1/10W J	HTNM	AV-D37
X	PROLOGIC	R 0914	88-118-472-080	0E	C-RES, S 4.7K-1/10W J	HCNM	AV-D37
X	PROLOGIC	R 0914	88-118-472-080	0E	C-RES, S 4.7K-1/10W J	HRJNM	AV-D37
X	PROLOGIC	R 0914	88-118-472-080	0E	C-RES, S 4.7K-1/10W J	HTNM	AV-D37
X	PROLOGIC	R 0915	88-118-152-080	0E	C-RES, S 1.5K-1/10W J	HCNM	AV-D37
X	PROLOGIC	R 0915	88-118-152-080	0E	C-RES, S 1.5K-1/10W J	HRJNM	AV-D37
X	PROLOGIC	R 0915	88-118-152-080	0E	C-RES, S 1.5K-1/10W J	HTNM	AV-D37
X	PROLOGIC	R 0916	88-118-822-080	0E	C-RES, S 8.2K-1/10W J	HCNM	AV-D37
X	PROLOGIC	R 0916	88-118-822-080	0E	C-RES, S 8.2K-1/10W J	HRJNM	AV-D37
X	PROLOGIC	R 0916	88-118-822-080	0E	C-RES, S 8.2K-1/10W J	HTNM	AV-D37
X	PROLOGIC	R 0917	88-118-333-080	0E	C-RES, S 33K-1/10W J	HCNM	AV-D37
X	PROLOGIC	R 0917	88-118-333-080	0E	C-RES, S 33K-1/10W J	HRJNM	AV-D37
X	PROLOGIC	R 0917	88-118-333-080	0E	C-RES, S 33K-1/10W J	HTNM	AV-D37
O	PROLOGIC, CON	CN 0504	87-099-567-010	0E	CONN, 10P V TUC-P10P-B1	HCNM	AV-D37
O	PROLOGIC, CON	CN 0504	87-099-567-010	0E	CONN, 10P V TUC-P10P-B1	HRJNM	AV-D37
O	PROLOGIC, CON	CN 0504	87-099-567-010	0E	CONN, 10P V TUC-P10P-B1	HTNM	AV-D37
!	O PROLOGIC, CON	CN 0505	87-099-570-010	1A	CONN, 13P V TUC-P13P-B1	HCNM	AV-D37
!	O PROLOGIC, CON	CN 0505	87-099-570-010	1A	CONN, 13P V TUC-P13P-B1	HRJNM	AV-D37
!	O PROLOGIC, CON	CN 0505	87-099-570-010	1A	CONN, 13P V TUC-P13P-B1	HTNM	AV-D37
X	PROLOGIC, CON	JR 0181	88-118-000-080	0E	C-JUMPER, S	HCNM	AV-D37
X	PROLOGIC, CON	JR 0181	88-118-000-080	0E	C-JUMPER, S	HRJNM	AV-D37
X	PROLOGIC, CON	JR 0181	88-118-000-080	0E	C-JUMPER, S	HTNM	AV-D37
X	PROLOGIC, CON	JR 0186	88-118-000-080	0E	C-JUMPER, S	HCNM	AV-D37
X	PROLOGIC, CON	JR 0186	88-118-000-080	0E	C-JUMPER, S	HRJNM	AV-D37
X	PROLOGIC, CON	JR 0186	88-118-000-080	0E	C-JUMPER, S	HTNM	AV-D37

# PARTS LIST

! =  $\Delta$  SAFTY PARTS  
 C = Components marked

All components used on this model at the production line are shown in this service manual.

However, please note that not all components will be available as spare parts for after-sales service.

Components marked S and O are designated as spare parts for service and will be stocked at the spare parts centers.

Components marked X and R are not designated as spare parts for after sales service, and will not be stocked at the spare parts centers.

K NO. = Only use japanese.

! C	UNIT NAME	REF NO.	PARTS CODE	K NO.	DESCRIPTION	SUFFIX	MODEL NAME
X	PROLOGIC, CON	JR 0186	88-118-000-080	0E	C-JUMPER, S	HTNM	AV-D37
X	PROLOGIC, CON	JR 0503	88-129-000-080	0E	C-JUMPER, 3216	HCNM	AV-D37
X	PROLOGIC, CON	JR 0503	88-129-000-080	0E	C-JUMPER, 3216	HRJNM	AV-D37
X	PROLOGIC, CON	JR 0503	88-129-000-080	0E	C-JUMPER, 3216	HTNM	AV-D37
X	PROLOGIC, CON	JR 0510	88-118-000-080	0E	C-JUMPER, S	HCNM	AV-D37
X	PROLOGIC, CON	JR 0510	88-118-000-080	0E	C-JUMPER, S	HRJNM	AV-D37
X	PROLOGIC, CON	JR 0510	88-118-000-080	0E	C-JUMPER, S	HTNM	AV-D37
X	PROLOGIC, CON	JR 0511	88-118-000-080	0E	C-JUMPER, S	HCNM	AV-D37
X	PROLOGIC, CON	JR 0511	88-118-000-080	0E	C-JUMPER, S	HRJNM	AV-D37
X	PROLOGIC, CON	JR 0511	88-118-000-080	0E	C-JUMPER, S	HTNM	AV-D37
X	PROLOGIC, CON	JR 0514	88-118-000-080	0E	C-JUMPER, S	HCNM	AV-D37
X	PROLOGIC, CON	JR 0514	88-118-000-080	0E	C-JUMPER, S	HRJNM	AV-D37
X	PROLOGIC, CON	JR 0514	88-118-000-080	0E	C-JUMPER, S	HTNM	AV-D37
X	PROLOGIC, CON	JR 0516	88-118-000-080	0E	C-JUMPER, S	HCNM	AV-D37
X	PROLOGIC, CON	JR 0516	88-118-000-080	0E	C-JUMPER, S	HRJNM	AV-D37
X	PROLOGIC, CON	JR 0516	88-118-000-080	0E	C-JUMPER, S	HTNM	AV-D37
X	PROLOGIC, CON	JR 0517	88-118-000-080	0E	C-JUMPER, S	HCNM	AV-D37
X	PROLOGIC, CON	JR 0517	88-118-000-080	0E	C-JUMPER, S	HRJNM	AV-D37
X	PROLOGIC, CON	JR 0517	88-118-000-080	0E	C-JUMPER, S	HTNM	AV-D37
X	PROLOGIC, CON	JR 0519	88-118-000-080	0E	C-JUMPER, S	HCNM	AV-D37
X	PROLOGIC, CON	JR 0519	88-118-000-080	0E	C-JUMPER, S	HRJNM	AV-D37
X	PROLOGIC, CON	JR 0519	88-118-000-080	0E	C-JUMPER, S	HTNM	AV-D37
X	PROLOGIC, CON	JR 0566	88-129-000-080	0E	C-JUMPER, 3216	HCNM	AV-D37
X	PROLOGIC, CON	JR 0566	88-129-000-080	0E	C-JUMPER, 3216	HRJNM	AV-D37
X	PROLOGIC, CON	JR 0566	88-129-000-080	0E	C-JUMPER, 3216	HTNM	AV-D37
X	PROLOGIC, CON	JR 0603	88-129-000-080	0E	C-JUMPER, 3216	HCNM	AV-D37
X	PROLOGIC, CON	JR 0603	88-129-000-080	0E	C-JUMPER, 3216	HRJNM	AV-D37
X	PROLOGIC, CON	JR 0603	88-129-000-080	0E	C-JUMPER, 3216	HTNM	AV-D37
X	PROLOGIC, CON	JR 0726	88-118-000-080	0E	C-JUMPER, S	HCNM	AV-D37
X	PROLOGIC, CON	JR 0726	88-118-000-080	0E	C-JUMPER, S	HRJNM	AV-D37
X	PROLOGIC, CON	JR 0726	88-118-000-080	0E	C-JUMPER, S	HTNM	AV-D37
X	PROLOGIC, CON	JR 0726	88-118-000-080	0E	C-JUMPER, S	HCNM	AV-D37
X	PROLOGIC, CON	JR 0727	88-118-000-080	0E	C-JUMPER, S	HRJNM	AV-D37
X	PROLOGIC, CON	JR 0727	88-118-000-080	0E	C-JUMPER, S	HTNM	AV-D37
X	PROLOGIC, CON	JR 0727	88-118-000-080	0E	C-JUMPER, S	HCNM	AV-D37
X	PROLOGIC, CON	JR 0728	88-118-000-080	0E	C-JUMPER, S	HRJNM	AV-D37
X	PROLOGIC, CON	JR 0728	88-118-000-080	0E	C-JUMPER, S	HTNM	AV-D37
X	PROLOGIC, CON	JR 0728	88-118-000-080	0E	C-JUMPER, S	HCNM	AV-D37
X	PROLOGIC, CON	JR 0729	88-118-000-080	0E	C-JUMPER, S	HRJNM	AV-D37
X	PROLOGIC, CON	JR 0729	88-118-000-080	0E	C-JUMPER, S	HTNM	AV-D37
X	PROLOGIC, CON	JR 0729	88-118-000-080	0E	C-JUMPER, S	HCNM	AV-D37
X	PROLOGIC, CON	JR 0731	88-118-000-080	0E	C-JUMPER, S	HCNM	AV-D37
X	PROLOGIC, CON	JR 0731	88-118-000-080	0E	C-JUMPER, S	HRJNM	AV-D37
X	PROLOGIC, CON	JR 0731	88-118-000-080	0E	C-JUMPER, S	HTNM	AV-D37
X	PROLOGIC, CON	JR 0761	88-118-000-080	0E	C-JUMPER, S	HCNM	AV-D37
X	PROLOGIC, CON	JR 0761	88-118-000-080	0E	C-JUMPER, S	HRJNM	AV-D37
X	PROLOGIC, CON	JR 0761	88-118-000-080	0E	C-JUMPER, S	HTNM	AV-D37
X	PROLOGIC, CON	JR 0811	88-118-000-080	0E	C-JUMPER, S	HCNM	AV-D37
X	PROLOGIC, CON	JR 0811	88-118-000-080	0E	C-JUMPER, S	HRJNM	AV-D37
X	PROLOGIC, CON	JR 0811	88-118-000-080	0E	C-JUMPER, S	HTNM	AV-D37
X	PROLOGIC, CON	JR 0812	88-118-000-080	0E	C-JUMPER, S	HCNM	AV-D37
X	PROLOGIC, CON	JR 0812	88-118-000-080	0E	C-JUMPER, S	HRJNM	AV-D37
X	PROLOGIC, CON	JR 0812	88-118-000-080	0E	C-JUMPER, S	HTNM	AV-D37
X	PROLOGIC, CON	JR 0934	88-118-000-080	0E	C-JUMPER, S	HCNM	AV-D37
X	PROLOGIC, CON	JR 0934	88-118-000-080	0E	C-JUMPER, S	HRJNM	AV-D37
X	PROLOGIC, CON	JR 0934	88-118-000-080	0E	C-JUMPER, S	HTNM	AV-D37
X	PROLOGIC, CON	JR 0935	88-118-000-080	0E	C-JUMPER, S	HCNM	AV-D37
X	PROLOGIC, CON	JR 0935	88-118-000-080	0E	C-JUMPER, S	HRJNM	AV-D37
X	PROLOGIC, CON	JR 0935	88-118-000-080	0E	C-JUMPER, S	HTNM	AV-D37
X	PROLOGIC, CON	JR 0936	88-118-000-080	0E	C-JUMPER, S	HCNM	AV-D37
X	PROLOGIC, CON	JR 0936	88-118-000-080	0E	C-JUMPER, S	HRJNM	AV-D37
X	PROLOGIC, CON	JR 0936	88-118-000-080	0E	C-JUMPER, S	HTNM	AV-D37
X	PROLOGIC, CON	JR 0937	88-118-000-080	0E	C-JUMPER, S	HCNM	AV-D37
X	PROLOGIC, CON	JR 0937	88-118-000-080	0E	C-JUMPER, S	HRJNM	AV-D37
X	PROLOGIC, CON	JR 0937	88-118-000-080	0E	C-JUMPER, S	HTNM	AV-D37
X	PROLOGIC, CON	JR 0999	88-118-000-080	0E	C-JUMPER, S	HCNM	AV-D37
X	PROLOGIC, CON	JR 0999	88-118-000-080	0E	C-JUMPER, S	HRJNM	AV-D37
X	PROLOGIC, CON	JR 0999	88-118-000-080	0E	C-JUMPER, S	HTNM	AV-D37
X	PT (H)	*	8A-AR3-659-010	1C	PWB, COMB PT (H) 2M	HCNM	AV-D37
X	PT (H)	*	8A-AR3-659-010	1C	PWB, COMB PT (H) 2M	HRJNM	AV-D37
X	PT (H)	*	8A-AR3-659-010	1C	PWB, COMB PT (H) 2M	HTNM	AV-D37

# PARTS LIST

! =  $\Delta$  SAFTY PARTS  
 C = Components marked

All components used on this model at the production line are shown in this service manual.

However, please note that not all components will be available as spare parts for after-sales service.

Components marked S and O are designated as spare parts for service and will be stocked at the spare parts centers.

Components marked X and R are not designated as spare parts for after sales service, and will not be stocked at the spare parts centers.

K NO. = Only use Japanese.

! C	UNIT NAME	REF NO.	PARTS CODE	K NO.	DESCRIPTION	SUFFIX	MODEL NAME	
X	PT(H)	*	8A-AR3-661-010	--	PWB,AC-SW	HCNM	AV-D37	
X	PT(H)	*	8A-AR3-661-010	--	PWB,AC-SW	HRJNM	AV-D37	
X	PT(H)	*	8A-AR3-661-010	--	PWB,AC-SW	HTNM	AV-D37	
O	PT(H)	C 0001	87-010-387-080	1A	CAP,E 470-25 M SME	HCNM	AV-D37	
O	PT(H)	C 0001	87-010-387-080	1A	CAP,E 470-25 M SME	HRJNM	AV-D37	
O	PT(H)	C 0001	87-010-387-080	1A	CAP,E 470-25 M SME	HTNM	AV-D37	
O	PT(H)	C 0002	87-010-403-080	0E	CAP,E 3.3-50 M 11L SME	HCNM	AV-D37	
O	PT(H)	C 0002	87-010-403-080	0E	CAP,E 3.3-50 M 11L SME	HRJNM	AV-D37	
O	PT(H)	C 0002	87-010-403-080	0E	CAP,E 3.3-50 M 11L SME	HTNM	AV-D37	
O	PT(H)	C 0003	87-A11-148-080	0E	CAP,TC U 0.1-50 Z F	HCNM	AV-D37	
O	PT(H)	C 0003	87-A11-148-080	0E	CAP,TC U 0.1-50 Z F	HRJNM	AV-D37	
O	PT(H)	C 0003	87-A11-148-080	0E	CAP,TC U 0.1-50 Z F	HTNM	AV-D37	
O	PT(H)	C 0004	87-A11-148-080	0E	CAP,TC U 0.1-50 Z F	HCNM	AV-D37	
O	PT(H)	C 0004	87-A11-148-080	0E	CAP,TC U 0.1-50 Z F	HRJNM	AV-D37	
O	PT(H)	C 0004	87-A11-148-080	0E	CAP,TC U 0.1-50 Z F	HTNM	AV-D37	
!	O	PT(H)	C 0007	87-A10-922-090	1A	CAP,CER 0.01-250 M F KH	HCNM	AV-D37
!	O	PT(H)	C 0007	87-A10-922-090	1A	CAP,CER 0.01-250 M F KH	HRJNM	AV-D37
!	O	PT(H)	C 0007	87-A10-922-090	1A	CAP,CER 0.01-250 M F KH	HTNM	AV-D37
!	O	PT(H)	C 0008	87-A10-922-090	1A	CAP,CER 0.01-250 M F KH	HCNM	AV-D37
!	O	PT(H)	C 0008	87-A10-922-090	1A	CAP,CER 0.01-250 M F KH	HRJNM	AV-D37
!	O	PT(H)	C 0008	87-A10-922-090	1A	CAP,CER 0.01-250 M F KH	HTNM	AV-D37
O	PT(H)	C 0013	87-A11-148-080	0E	CAP,TC U 0.1-50 Z F	HCNM	AV-D37	
O	PT(H)	C 0013	87-A11-148-080	0E	CAP,TC U 0.1-50 Z F	HRJNM	AV-D37	
O	PT(H)	C 0013	87-A11-148-080	0E	CAP,TC U 0.1-50 Z F	HTNM	AV-D37	
O	PT(H)	CN 0101	88-805-042-690	0E	CONN ASSY,4P	HCNM	AV-D37	
O	PT(H)	CN 0101	88-805-042-690	0E	CONN ASSY,4P	HRJNM	AV-D37	
O	PT(H)	CN 0101	88-805-042-690	0E	CONN ASSY,4P	HTNM	AV-D37	
O	PT(H)	CN 0103	87-A61-057-010	0E	CONN,9P V THL-P09P-A1	HCNM	AV-D37	
O	PT(H)	CN 0103	87-A61-057-010	0E	CONN,9P V THL-P09P-A1	HRJNM	AV-D37	
O	PT(H)	CN 0103	87-A61-057-010	0E	CONN,9P V THL-P09P-A1	HTNM	AV-D37	
S	PT(H)	D 0001	87-020-465-080	0E	DIODE,1SS133	HCNM	AV-D37	
S	PT(H)	D 0001	87-020-465-080	0E	DIODE,1SS133	HRJNM	AV-D37	
S	PT(H)	D 0001	87-020-465-080	0E	DIODE,1SS133	HTNM	AV-D37	
S	PT(H)	D 0002	87-020-465-080	0E	DIODE,1SS133	HCNM	AV-D37	
S	PT(H)	D 0002	87-020-465-080	0E	DIODE,1SS133	HRJNM	AV-D37	
S	PT(H)	D 0002	87-020-465-080	0E	DIODE,1SS133	HTNM	AV-D37	
S	PT(H)	D 0003	87-020-465-080	0E	DIODE,1SS133	HCNM	AV-D37	
S	PT(H)	D 0003	87-020-465-080	0E	DIODE,1SS133	HRJNM	AV-D37	
S	PT(H)	D 0003	87-020-465-080	0E	DIODE,1SS133	HTNM	AV-D37	
S	PT(H)	D 0004	87-020-465-080	0E	DIODE,1SS133	HCNM	AV-D37	
S	PT(H)	D 0004	87-020-465-080	0E	DIODE,1SS133	HRJNM	AV-D37	
S	PT(H)	D 0004	87-020-465-080	0E	DIODE,1SS133	HTNM	AV-D37	
S	PT(H)	D 0005	87-020-465-080	0E	DIODE,1SS133	HCNM	AV-D37	
S	PT(H)	D 0005	87-020-465-080	0E	DIODE,1SS133	HRJNM	AV-D37	
S	PT(H)	D 0005	87-020-465-080	0E	DIODE,1SS133	HTNM	AV-D37	
S	PT(H)	D 0006	87-020-465-080	0E	DIODE,1SS133	HCNM	AV-D37	
S	PT(H)	D 0006	87-020-465-080	0E	DIODE,1SS133	HRJNM	AV-D37	
S	PT(H)	D 0006	87-020-465-080	0E	DIODE,1SS133	HTNM	AV-D37	
S	PT(H)	D 0007	87-020-465-080	0E	DIODE,1SS133	HCNM	AV-D37	
S	PT(H)	D 0007	87-020-465-080	0E	DIODE,1SS133	HRJNM	AV-D37	
S	PT(H)	D 0007	87-020-465-080	0E	DIODE,1SS133	HTNM	AV-D37	
S	PT(H)	D 0007	87-020-465-080	0E	DIODE,1SS133	HCNM	AV-D37	
S	PT(H)	D 0007	87-020-465-080	0E	DIODE,1SS133	HRJNM	AV-D37	
S	PT(H)	D 0007	87-020-465-080	0E	DIODE,1SS133	HTNM	AV-D37	
S	PT(H)	PR 0105	87-026-682-080	0E	PROTECTOR,10A 491SERIES 60V	HCNM	AV-D37	
S	PT(H)	PR 0105	87-026-682-080	0E	PROTECTOR,10A 491SERIES 60V	HRJNM	AV-D37	
S	PT(H)	PR 0105	87-026-682-080	0E	PROTECTOR,10A 491SERIES 60V	HTNM	AV-D37	
S	PT(H)	PR 0106	87-026-682-080	0E	PROTECTOR,10A 491SERIES 60V	HCNM	AV-D37	
S	PT(H)	PR 0106	87-026-682-080	0E	PROTECTOR,10A 491SERIES 60V	HRJNM	AV-D37	
S	PT(H)	PR 0106	87-026-682-080	0E	PROTECTOR,10A 491SERIES 60V	HTNM	AV-D37	
S	PT(H)	Q 0001	87-A30-197-080	0E	TR,KTA1267GR	HCNM	AV-D37	
S	PT(H)	Q 0001	87-A30-197-080	0E	TR,KTA1267GR	HRJNM	AV-D37	
S	PT(H)	Q 0001	87-A30-197-080	0E	TR,KTA1267GR	HTNM	AV-D37	
S	PT(H)	Q 0002	87-026-245-080	0E	TR,DTC114ES	HCNM	AV-D37	
S	PT(H)	Q 0002	87-026-245-080	0E	TR,DTC114ES	HRJNM	AV-D37	
S	PT(H)	Q 0002	87-026-245-080	0E	TR,DTC114ES	HTNM	AV-D37	
S	PT(H)	Q 0003	87-A30-198-080	0E	TR,KTC3199GR	HCNM	AV-D37	
S	PT(H)	Q 0003	87-A30-198-080	0E	TR,KTC3199GR	HRJNM	AV-D37	
S	PT(H)	Q 0003	87-A30-198-080	0E	TR,KTC3199GR	HTNM	AV-D37	
X	PT(H)	R 0001	88-121-100-080	0E	RES,10-1/8W J	HCNM	AV-D37	
X	PT(H)	R 0001	88-121-100-080	0E	RES,10-1/8W J	HRJNM	AV-D37	
X	PT(H)	R 0001	88-121-100-080	0E	RES,10-1/8W J	HTNM	AV-D37	
X	PT(H)	R 0002	88-121-222-080	0E	RES,2.2K-1/8W J	HCNM	AV-D37	

# PARTS LIST

! =  $\Delta$  SAFTY PARTS  
 C = Components marked

All components used on this model at the production line are shown in this service manual.

However, please note that not all components will be available as spare parts for after-sales service.

Components marked S and O are designated as spare parts for service and will be stocked at the spare parts centers.

Components marked X and R are not designated as spare parts for after sales service, and will not be stocked at the spare parts centers.

K NO. = Only use Japanese.

! C	UNIT NAME	REF NO.	PARTS CODE	K NO.	DESCRIPTION	SUFFIX	MODEL NAME
X	PT(H)	R 0002	88-121-222-080	0E	RES, 2.2K-1/8W J	HRJNM	AV-D37
X	PT(H)	R 0002	88-121-222-080	0E	RES, 2.2K-1/8W J	HTNM	AV-D37
X	PT(H)	R 0003	88-121-222-080	0E	RES, 2.2K-1/8W J	HCNM	AV-D37
X	PT(H)	R 0003	88-121-222-080	0E	RES, 2.2K-1/8W J	HRJNM	AV-D37
X	PT(H)	R 0003	88-121-222-080	0E	RES, 2.2K-1/8W J	HTNM	AV-D37
X	PT(H)	R 0004	88-121-101-080	0E	RES, 100-1/8W J	HCNM	AV-D37
X	PT(H)	R 0004	88-121-101-080	0E	RES, 100-1/8W J	HRJNM	AV-D37
X	PT(H)	R 0004	88-121-101-080	0E	RES, 100-1/8W J	HTNM	AV-D37
X	PT(H)	R 0005	88-121-333-080	0E	RES, 33K-1/8W J	HCNM	AV-D37
X	PT(H)	R 0005	88-121-333-080	0E	RES, 33K-1/8W J	HRJNM	AV-D37
X	PT(H)	R 0005	88-121-333-080	0E	RES, 33K-1/8W J	HTNM	AV-D37
!	O PT(H)	RY 0001	87-A90-454-010	1E	RELAY, 12V DJ12D2-O(M)	HCNM	AV-D37
!	O PT(H)	RY 0001	87-A90-454-010	1E	RELAY, 12V DJ12D2-O(M)	HRJNM	AV-D37
!	O PT(H)	RY 0001	87-A90-454-010	1E	RELAY, 12V DJ12D2-O(M)	HTNM	AV-D37
O	SCREW		87-067-581-010	0E	BVT2+3-15 W/O SLOT	HCNM	AV-D37
O	SCREW		87-067-581-010	0E	BVT2+3-15 W/O SLOT	HRJNM	AV-D37
O	SCREW		87-067-581-010	0E	BVT2+3-15 W/O SLOT	HTNM	AV-D37
O	SCREW		87-067-584-010	0E	BVT2+3-6 W/O SLOT	HCNM	AV-D37
O	SCREW		87-067-584-010	0E	BVT2+3-6 W/O SLOT	HRJNM	AV-D37
O	SCREW		87-067-584-010	0E	BVT2+3-6 W/O SLOT	HTNM	AV-D37
O	SCREW		87-067-585-010	0E	BVT+4-6	HCNM	AV-D37
O	SCREW		87-067-585-010	0E	BVT+4-6	HRJNM	AV-D37
O	SCREW		87-067-585-010	0E	BVT+4-6	HTNM	AV-D37
O	SCREW		87-067-632-010	0E	BVT2+3-15 W/O SLOT W/CONVEX	HCNM	AV-D37
O	SCREW		87-067-632-010	0E	BVT2+3-15 W/O SLOT W/CONVEX	HRJNM	AV-D37
O	SCREW		87-067-632-010	0E	BVT2+3-15 W/O SLOT W/CONVEX	HTNM	AV-D37
O	SCREW		87-067-633-010	0E	BVT2+3-8 W/O SLOT W/CONVEX	HCNM	AV-D37
O	SCREW		87-067-633-010	0E	BVT2+3-8 W/O SLOT W/CONVEX	HRJNM	AV-D37
O	SCREW		87-067-633-010	0E	BVT2+3-8 W/O SLOT W/CONVEX	HTNM	AV-D37
O	SCREW		87-067-641-010	0E	UTT2+3-8 W/O SLOT BLK	HCNM	AV-D37
O	SCREW		87-067-641-010	0E	UTT2+3-8 W/O SLOT BLK	HRJNM	AV-D37
O	SCREW		87-067-641-010	0E	UTT2+3-8 W/O SLOT BLK	HTNM	AV-D37
O	SCREW		87-067-689-010	0E	BVT+3-8	HCNM	AV-D37
O	SCREW		87-067-689-010	0E	BVT+3-8	HRJNM	AV-D37
O	SCREW		87-067-689-010	0E	BVT+3-8	HTNM	AV-D37
O	SCREW		87-067-703-010	0E	BVT2+3-10 W/O SLOT	HCNM	AV-D37
O	SCREW		87-067-703-010	0E	BVT2+3-10 W/O SLOT	HRJNM	AV-D37
O	SCREW		87-067-703-010	0E	BVT2+3-10 W/O SLOT	HTNM	AV-D37
O	SCREW		87-078-191-010	0E	S-SCREW, IT+4-10 SWCH12A	HCNM	AV-D37
O	SCREW		87-078-191-010	0E	S-SCREW, IT+4-10 SWCH12A	HRJNM	AV-D37
O	SCREW		87-078-191-010	0E	S-SCREW, IT+4-10 SWCH12A	HTNM	AV-D37
O	SCREW		87-591-095-410	0E	QIT+3-8	HCNM	AV-D37
O	SCREW		87-591-095-410	0E	QIT+3-8	HRJNM	AV-D37
O	SCREW		87-591-095-410	0E	QIT+3-8	HTNM	AV-D37
O	SCREW		87-721-095-410	0E	QT2+3-8 W/O SLOT	HCNM	AV-D37
O	SCREW		87-721-095-410	0E	QT2+3-8 W/O SLOT	HRJNM	AV-D37
O	SCREW		87-721-095-410	0E	QT2+3-8 W/O SLOT	HTNM	AV-D37
X	SPKR	*	8A-AR3-628-110	1	PWB, SPKR 3M	HCNM	AV-D37
X	SPKR	*	8A-AR3-628-110	1	PWB, SPKR 3M	HRJNM	AV-D37
X	SPKR	*	8A-AR3-628-110	1	PWB, SPKR 3M	HTNM	AV-D37
O	SPKR	C 0001	87-010-190-080	0E	C-CAP, S 0.01-50 Z F C2012	HCNM	AV-D37
O	SPKR	C 0001	87-010-190-080	0E	C-CAP, S 0.01-50 Z F C2012	HRJNM	AV-D37
O	SPKR	C 0001	87-010-190-080	0E	C-CAP, S 0.01-50 Z F C2012	HTNM	AV-D37
O	SPKR	C 0002	87-010-190-080	0E	C-CAP, S 0.01-50 Z F C2012	HCNM	AV-D37
O	SPKR	C 0002	87-010-190-080	0E	C-CAP, S 0.01-50 Z F C2012	HRJNM	AV-D37
O	SPKR	C 0002	87-010-190-080	0E	C-CAP, S 0.01-50 Z F C2012	HTNM	AV-D37
O	SPKR	C 0004	87-010-190-080	0E	C-CAP, S 0.01-50 Z F C2012	HCNM	AV-D37
O	SPKR	C 0004	87-010-190-080	0E	C-CAP, S 0.01-50 Z F C2012	HRJNM	AV-D37
O	SPKR	C 0004	87-010-190-080	0E	C-CAP, S 0.01-50 Z F C2012	HTNM	AV-D37
O	SPKR	C 0005	87-010-190-080	0E	C-CAP, S 0.01-50 Z F C2012	HCNM	AV-D37
O	SPKR	C 0005	87-010-190-080	0E	C-CAP, S 0.01-50 Z F C2012	HRJNM	AV-D37
O	SPKR	C 0005	87-010-190-080	0E	C-CAP, S 0.01-50 Z F C2012	HTNM	AV-D37
O	SPKR	C 0006	87-010-190-080	0E	C-CAP, S 0.01-50 Z F C2012	HCNM	AV-D37
O	SPKR	C 0006	87-010-190-080	0E	C-CAP, S 0.01-50 Z F C2012	HRJNM	AV-D37
O	SPKR	C 0006	87-010-190-080	0E	C-CAP, S 0.01-50 Z F C2012	HTNM	AV-D37
O	SPKR	C 0008	87-010-190-080	0E	C-CAP, S 0.01-50 Z F C2012	HCNM	AV-D37
O	SPKR	C 0008	87-010-190-080	0E	C-CAP, S 0.01-50 Z F C2012	HRJNM	AV-D37
O	SPKR	C 0008	87-010-190-080	0E	C-CAP, S 0.01-50 Z F C2012	HTNM	AV-D37
O	SPKR	C 0009	87-010-190-080	0E	C-CAP, S 0.01-50 Z F C2012	HCNM	AV-D37
O	SPKR	C 0009	87-010-190-080	0E	C-CAP, S 0.01-50 Z F C2012	HRJNM	AV-D37
O	SPKR	C 0009	87-010-190-080	0E	C-CAP, S 0.01-50 Z F C2012	HTNM	AV-D37



# PARTS LIST

! =  $\Delta$  SAFTY PARTS  
 C = Components marked

All components used on this model at the production line are shown in this service manual.

However, please note that not all components will be available as spare parts for after-sales service.

Components marked S and O are designated as spare parts for service and will be stocked at the spare parts centers.

Components marked X and R are not designated as spare parts for after sales service, and will not be stocked at the spare parts centers.

K NO. = Only use Japanese.

! C	UNIT NAME	REF NO.	PARTS CODE	K NO.	DESCRIPTION	SUFFIX	MODEL NAME
O	SPKR	C 0009	87-010-190-080	0E	C-CAP,S 0.01-50 Z F C2012	HTNM	AV-D37
O	SPKR	C 0012	87-010-190-080	0E	C-CAP,S 0.01-50 Z F C2012	HCNM	AV-D37
O	SPKR	C 0012	87-010-190-080	0E	C-CAP,S 0.01-50 Z F C2012	HRJNM	AV-D37
O	SPKR	C 0012	87-010-190-080	0E	C-CAP,S 0.01-50 Z F C2012	HTNM	AV-D37
O	SPKR	C 0013	87-010-190-080	0E	C-CAP,S 0.01-50 Z F C2012	HCNM	AV-D37
O	SPKR	C 0013	87-010-190-080	0E	C-CAP,S 0.01-50 Z F C2012	HRJNM	AV-D37
O	SPKR	C 0013	87-010-190-080	0E	C-CAP,S 0.01-50 Z F C2012	HTNM	AV-D37
O	SPKR	C 0016	87-010-190-080	0E	C-CAP,S 0.01-50 Z F C2012	HCNM	AV-D37
O	SPKR	C 0016	87-010-190-080	0E	C-CAP,S 0.01-50 Z F C2012	HRJNM	AV-D37
O	SPKR	C 0016	87-010-190-080	0E	C-CAP,S 0.01-50 Z F C2012	HTNM	AV-D37
O	SPKR	CN 0201	87-099-799-010	1A	CONN,8P V B8P-VH	HCNM	AV-D37
O	SPKR	CN 0201	87-099-799-010	1A	CONN,8P V B8P-VH	HRJNM	AV-D37
O	SPKR	CN 0201	87-099-799-010	1A	CONN,8P V B8P-VH	HTNM	AV-D37
O	SPKR	CN 0202	87-009-663-010	1A	CONN,6P V VH	HCNM	AV-D37
O	SPKR	CN 0202	87-009-663-010	1A	CONN,6P V VH	HRJNM	AV-D37
O	SPKR	CN 0202	87-009-663-010	1A	CONN,6P V VH	HTNM	AV-D37
O	SPKR	J 0901	87-033-210-010	1H	TERMINAL,SPKR 8P LTS0810-1002	HCNM	AV-D37
O	SPKR	J 0901	87-033-210-010	1H	TERMINAL,SPKR 8P LTS0810-1002	HRJNM	AV-D37
O	SPKR	J 0901	87-033-210-010	1H	TERMINAL,SPKR 8P LTS0810-1002	HTNM	AV-D37
O	SPKR	J 0902	87-A61-172-010	1E	TERMINAL,SPKR 6P LTS0610-1002	HCNM	AV-D37
O	SPKR	J 0902	87-A61-172-010	1E	TERMINAL,SPKR 6P LTS0610-1002	HRJNM	AV-D37
O	SPKR	J 0902	87-A61-172-010	1E	TERMINAL,SPKR 6P LTS0610-1002	HTNM	AV-D37
O	SUBW	C 0131	87-010-378-080	0E	CAP,E 10-16 M 11L SME	HCNM	AV-D37
O	SUBW	C 0131	87-010-378-080	0E	CAP,E 10-16 M 11L SME	HRJNM	AV-D37
O	SUBW	C 0131	87-010-378-080	0E	CAP,E 10-16 M 11L SME	HTNM	AV-D37
O	SUBW	C 0133	87-010-378-080	0E	CAP,E 10-16 M 11L SME	HCNM	AV-D37
O	SUBW	C 0133	87-010-378-080	0E	CAP,E 10-16 M 11L SME	HRJNM	AV-D37
O	SUBW	C 0133	87-010-378-080	0E	CAP,E 10-16 M 11L SME	HTNM	AV-D37
O	SUBW	C 0135	87-012-368-080	0E	C-CAP,S 0.1-50 Z F	HCNM	AV-D37
O	SUBW	C 0135	87-012-368-080	0E	C-CAP,S 0.1-50 Z F	HRJNM	AV-D37
O	SUBW	C 0135	87-012-368-080	0E	C-CAP,S 0.1-50 Z F	HTNM	AV-D37
O	SUBW	C 0136	87-012-368-080	0E	C-CAP,S 0.1-50 Z F	HCNM	AV-D37
O	SUBW	C 0136	87-012-368-080	0E	C-CAP,S 0.1-50 Z F	HRJNM	AV-D37
O	SUBW	C 0136	87-012-368-080	0E	C-CAP,S 0.1-50 Z F	HTNM	AV-D37
S	SUBW	IC 0101	87-A21-419-040	0E	C-IC,NJM14558MD-TE2	HCNM	AV-D37
S	SUBW	IC 0101	87-A21-419-040	0E	C-IC,NJM14558MD-TE2	HRJNM	AV-D37
S	SUBW	IC 0101	87-A21-419-040	0E	C-IC,NJM14558MD-TE2	HTNM	AV-D37
X	SUBW	R 0111	88-118-104-080	0E	C-RES,S 100K-1/10W J	HCNM	AV-D37
X	SUBW	R 0111	88-118-104-080	0E	C-RES,S 100K-1/10W J	HRJNM	AV-D37
X	SUBW	R 0111	88-118-104-080	0E	C-RES,S 100K-1/10W J	HTNM	AV-D37
X	SUBW	R 0151	88-118-102-080	0E	C-RES,S 1K-1/10W J	HCNM	AV-D37
X	SUBW	R 0151	88-118-102-080	0E	C-RES,S 1K-1/10W J	HRJNM	AV-D37
X	SUBW	R 0151	88-118-102-080	0E	C-RES,S 1K-1/10W J	HTNM	AV-D37
X	SUBW	R 0155	88-118-222-080	0E	C-RES,S 2.2K-1/10W J	HCNM	AV-D37
X	SUBW	R 0155	88-118-222-080	0E	C-RES,S 2.2K-1/10W J	HRJNM	AV-D37
X	SUBW	R 0155	88-118-222-080	0E	C-RES,S 2.2K-1/10W J	HTNM	AV-D37
X	SUBW	R 0175	88-118-222-080	0E	C-RES,S 2.2K-1/10W J	HCNM	AV-D37
X	SUBW	R 0175	88-118-222-080	0E	C-RES,S 2.2K-1/10W J	HRJNM	AV-D37
X	SUBW	R 0175	88-118-222-080	0E	C-RES,S 2.2K-1/10W J	HTNM	AV-D37
X	SUBW	R 0177	88-128-102-080	0E	C-RES, 1K-1/8W J	HCNM	AV-D37
X	SUBW	R 0177	88-128-102-080	0E	C-RES, 1K-1/8W J	HRJNM	AV-D37
X	SUBW	R 0177	88-128-102-080	0E	C-RES, 1K-1/8W J	HTNM	AV-D37
X	SUBW	R 0178	88-118-104-080	0E	C-RES,S 100K-1/10W J	HCNM	AV-D37
X	SUBW	R 0178	88-118-104-080	0E	C-RES,S 100K-1/10W J	HRJNM	AV-D37
X	SUBW	R 0178	88-118-104-080	0E	C-RES,S 100K-1/10W J	HTNM	AV-D37
X	SUBW	R 0181	88-118-104-080	0E	C-RES,S 100K-1/10W J	HCNM	AV-D37
X	SUBW	R 0181	88-118-104-080	0E	C-RES,S 100K-1/10W J	HRJNM	AV-D37
X	SUBW	R 0181	88-118-104-080	0E	C-RES,S 100K-1/10W J	HTNM	AV-D37
O	TAPE MONITOR	C 0701	87-010-196-080	0E	C-CAP,S 0.1-25 Z F C2012	HCNM	AV-D37
O	TAPE MONITOR	C 0701	87-010-196-080	0E	C-CAP,S 0.1-25 Z F C2012	HRJNM	AV-D37
O	TAPE MONITOR	C 0701	87-010-196-080	0E	C-CAP,S 0.1-25 Z F C2012	HTNM	AV-D37
O	TAPE MONITOR	C 0702	87-010-196-080	0E	C-CAP,S 0.1-25 Z F C2012	HCNM	AV-D37
O	TAPE MONITOR	C 0702	87-010-196-080	0E	C-CAP,S 0.1-25 Z F C2012	HRJNM	AV-D37
O	TAPE MONITOR	C 0702	87-010-196-080	0E	C-CAP,S 0.1-25 Z F C2012	HTNM	AV-D37
S	TAPE MONITOR	IC 0701	87-020-784-080	1B	C-IC,TC4053BF	HCNM	AV-D37
S	TAPE MONITOR	IC 0701	87-020-784-080	1B	C-IC,TC4053BF	HRJNM	AV-D37
S	TAPE MONITOR	IC 0701	87-020-784-080	1B	C-IC,TC4053BF	HTNM	AV-D37
X	TAPE MONITOR	JR 0551	88-118-000-080	0E	C-JUMPER,S	HCNM	AV-D37
X	TAPE MONITOR	JR 0551	88-118-000-080	0E	C-JUMPER,S	HRJNM	AV-D37
X	TAPE MONITOR	JR 0551	88-118-000-080	0E	C-JUMPER,S	HTNM	AV-D37

# PARTS LIST

! =  $\Delta$  SAFTY PARTS  
 C = Components marked

All components used on this model at the production line are shown in this service manual.

However, please note that not all components will be available as spare parts for after-sales service.

Components marked S and O are designated as spare parts for service and will be stocked at the spare parts centers.

Components marked X and R are not designated as spare parts for after sales service, and will not be stocked at the spare parts centers.

K NO. = Only use japanese.

! C	UNIT NAME	REF NO.	PARTS CODE	K NO.	DESCRIPTION	SUFFIX	MODEL NAME
X	TAPE MONITOR	JR 0762	88-118-000-080	0E	C-JUMPER,S	HCNM	AV-D37
X	TAPE MONITOR	JR 0762	88-118-000-080	0E	C-JUMPER,S	HRJNM	AV-D37
X	TAPE MONITOR	JR 0762	88-118-000-080	0E	C-JUMPER,S	HTNM	AV-D37
X	TAPE MONITOR	JR 0763	88-118-000-080	0E	C-JUMPER,S	HCNM	AV-D37
X	TAPE MONITOR	JR 0763	88-118-000-080	0E	C-JUMPER,S	HRJNM	AV-D37
X	TAPE MONITOR	JR 0763	88-118-000-080	0E	C-JUMPER,S	HTNM	AV-D37
X	TAPE MONITOR	JR 0919	88-118-000-080	0E	C-JUMPER,S	HCNM	AV-D37
X	TAPE MONITOR	JR 0919	88-118-000-080	0E	C-JUMPER,S	HRJNM	AV-D37
X	TAPE MONITOR	JR 0919	88-118-000-080	0E	C-JUMPER,S	HTNM	AV-D37
X	TAPE MONITOR	R 0701	88-128-562-080	0E	C-RES, 5.6K-1/8W J	HCNM	AV-D37
X	TAPE MONITOR	R 0701	88-128-562-080	0E	C-RES, 5.6K-1/8W J	HRJNM	AV-D37
X	TAPE MONITOR	R 0701	88-128-562-080	0E	C-RES, 5.6K-1/8W J	HTNM	AV-D37
X	TAPE MONITOR	R 0702	88-118-153-080	0E	C-RES,S 15K-1/10W J	HCNM	AV-D37
X	TAPE MONITOR	R 0702	88-118-153-080	0E	C-RES,S 15K-1/10W J	HRJNM	AV-D37
X	TAPE MONITOR	R 0702	88-118-153-080	0E	C-RES,S 15K-1/10W J	HTNM	AV-D37
X	TAPE MONITOR	R 0704	88-118-183-080	0E	C-RES,S 18K-1/10W J	HCNM	AV-D37
X	TAPE MONITOR	R 0704	88-118-183-080	0E	C-RES,S 18K-1/10W J	HRJNM	AV-D37
X	TAPE MONITOR	R 0704	88-118-183-080	0E	C-RES,S 18K-1/10W J	HTNM	AV-D37
X	TAPE MONITOR	R 0705	88-118-103-080	0E	C-RES,S 10K-1/10W J	HCNM	AV-D37
X	TAPE MONITOR	R 0705	88-118-103-080	0E	C-RES,S 10K-1/10W J	HRJNM	AV-D37
X	TAPE MONITOR	R 0705	88-118-103-080	0E	C-RES,S 10K-1/10W J	HTNM	AV-D37
X	TAPE MONITOR	R 0706	88-118-392-080	0E	C-RES,S 3.9K-1/10W J	HCNM	AV-D37
X	TAPE MONITOR	R 0706	88-118-392-080	0E	C-RES,S 3.9K-1/10W J	HRJNM	AV-D37
X	TAPE MONITOR	R 0706	88-118-392-080	0E	C-RES,S 3.9K-1/10W J	HTNM	AV-D37
X	TAPE MONITOR	R 0707	88-118-153-080	0E	C-RES,S 15K-1/10W J	HCNM	AV-D37
X	TAPE MONITOR	R 0707	88-118-153-080	0E	C-RES,S 15K-1/10W J	HRJNM	AV-D37
X	TAPE MONITOR	R 0707	88-118-153-080	0E	C-RES,S 15K-1/10W J	HTNM	AV-D37
X	VIDEO3		8A-AR1-626-310	1D	PWB,HP/VIDEO3/ VOLUME/GEQ	HCNM	AV-D37
X	VIDEO3		8A-AR1-626-310	1D	PWB,HP/VIDEO3/ VOLUME/GEQ	HRJNM	AV-D37
X	VIDEO3		8A-AR1-626-310	1D	PWB,HP/VIDEO3/ VOLUME/GEQ	HTNM	AV-D37
X	VIDEO3		8A-AR1-627-310	--	PWB,VIDEO3	HCNM	AV-D37
X	VIDEO3		8A-AR1-627-310	--	PWB,VIDEO3	HRJNM	AV-D37
X	VIDEO3		8A-AR1-627-310	--	PWB,VIDEO3	HTNM	AV-D37
X	VIDEO3		8A-AR1-628-310	--	PWB,VOLUME	HCNM	AV-D37
X	VIDEO3		8A-AR1-628-310	--	PWB,VOLUME	HRJNM	AV-D37
X	VIDEO3		8A-AR1-628-310	--	PWB,VOLUME	HTNM	AV-D37
X	VIDEO3		8A-AR1-629-310	--	PWB,GEQ	HCNM	AV-D37
X	VIDEO3		8A-AR1-629-310	--	PWB,GEQ	HRJNM	AV-D37
X	VIDEO3		8A-AR1-629-310	--	PWB,GEQ	HTNM	AV-D37
X	VIDEO3		8A-AR1-630-310	--	PWB,FFC1	HCNM	AV-D37
X	VIDEO3		8A-AR1-630-310	--	PWB,FFC1	HRJNM	AV-D37
X	VIDEO3		8A-AR1-630-310	--	PWB,FFC1	HTNM	AV-D37
X	VIDEO3		8A-AR1-631-310	--	PWB,FFC2	HCNM	AV-D37
X	VIDEO3		8A-AR1-631-310	--	PWB,FFC2	HRJNM	AV-D37
X	VIDEO3		8A-AR1-631-310	--	PWB,FFC2	HTNM	AV-D37
X	VIDEO3		8A-AR1-632-310	--	PWB,FFC3	HCNM	AV-D37
X	VIDEO3		8A-AR1-632-310	--	PWB,FFC3	HRJNM	AV-D37
X	VIDEO3		8A-AR1-632-310	--	PWB,FFC3	HTNM	AV-D37
O	VIDEO3	C 0501	87-A11-148-080	0E	CAP,TC U 0.1-50 Z F	HCNM	AV-D37
O	VIDEO3	C 0501	87-A11-148-080	0E	CAP,TC U 0.1-50 Z F	HRJNM	AV-D37
O	VIDEO3	C 0501	87-A11-148-080	0E	CAP,TC U 0.1-50 Z F	HTNM	AV-D37
O	VIDEO3	C 0502	87-A11-148-080	0E	CAP,TC U 0.1-50 Z F	HCNM	AV-D37
O	VIDEO3	C 0502	87-A11-148-080	0E	CAP,TC U 0.1-50 Z F	HRJNM	AV-D37
O	VIDEO3	C 0502	87-A11-148-080	0E	CAP,TC U 0.1-50 Z F	HTNM	AV-D37
O	VIDEO3	C 0503	87-010-188-080	0E	C-CAP,S 6800P-50 K B C2012	HCNM	AV-D37
O	VIDEO3	C 0503	87-010-188-080	0E	C-CAP,S 6800P-50 K B C2012	HRJNM	AV-D37
O	VIDEO3	C 0503	87-010-188-080	0E	C-CAP,S 6800P-50 K B C2012	HTNM	AV-D37
O	VIDEO3	C 0504	87-010-188-080	0E	C-CAP,S 6800P-50 K B C2012	HCNM	AV-D37
O	VIDEO3	C 0504	87-010-188-080	0E	C-CAP,S 6800P-50 K B C2012	HRJNM	AV-D37
O	VIDEO3	C 0504	87-010-188-080	0E	C-CAP,S 6800P-50 K B C2012	HTNM	AV-D37
O	VIDEO3	C 0507	87-A11-148-080	0E	CAP,TC U 0.1-50 Z F	HCNM	AV-D37
O	VIDEO3	C 0507	87-A11-148-080	0E	CAP,TC U 0.1-50 Z F	HRJNM	AV-D37
O	VIDEO3	C 0507	87-A11-148-080	0E	CAP,TC U 0.1-50 Z F	HTNM	AV-D37
!	O VIDEO3	CN 0604	87-099-201-010	0E	CONN,8P H BLK 6216	HCNM	AV-D37
!	O VIDEO3	CN 0604	87-099-201-010	0E	CONN,8P H BLK 6216	HRJNM	AV-D37
!	O VIDEO3	CN 0604	87-099-201-010	0E	CONN,8P H BLK 6216	HTNM	AV-D37
O	VIDEO3	CN 0605	8A-AR3-652-110	0E	CONN ASSY,2P -VIDEO 3	HCNM	AV-D37
O	VIDEO3	CN 0605	8A-AR3-652-110	0E	CONN ASSY,2P -VIDEO 3	HRJNM	AV-D37
O	VIDEO3	CN 0605	8A-AR3-652-110	0E	CONN ASSY,2P -VIDEO 3	HTNM	AV-D37
S	VIDEO3	D 0501	87-020-465-080	0E	DIODE,1SS133	HCNM	AV-D37

# PARTS LIST

! =  $\Delta$  SAFTY PARTS  
 C = Components marked

All components used on this model at the production line are shown in this service manual.

However, please note that not all components will be available as spare parts for after-sales service.

Components marked S and O are designated as spare parts for service and will be stocked at the spare parts centers.

Components marked X and R are not designated as spare parts for after sales service, and will not be stocked at the spare parts centers.

K NO. = Only use japanese.

! C	UNIT NAME	REF NO.	PARTS CODE	K NO.	DESCRIPTION	SUFFIX	MODEL NAME
S	VIDEO3	D 0501	87-020-465-080	0E	DIODE,1SS133	HRJNM	AV-D37
S	VIDEO3	D 0501	87-020-465-080	0E	DIODE,1SS133	HTNM	AV-D37
S	VIDEO3	D 0502	87-020-465-080	0E	DIODE,1SS133	HCNM	AV-D37
S	VIDEO3	D 0502	87-020-465-080	0E	DIODE,1SS133	HRJNM	AV-D37
S	VIDEO3	D 0502	87-020-465-080	0E	DIODE,1SS133	HTNM	AV-D37
S	VIDEO3	D 0503	87-020-465-080	0E	DIODE,1SS133	HCNM	AV-D37
S	VIDEO3	D 0503	87-020-465-080	0E	DIODE,1SS133	HRJNM	AV-D37
S	VIDEO3	D 0503	87-020-465-080	0E	DIODE,1SS133	HTNM	AV-D37
S	VIDEO3	D 0504	87-020-465-080	0E	DIODE,1SS133	HCNM	AV-D37
S	VIDEO3	D 0504	87-020-465-080	0E	DIODE,1SS133	HRJNM	AV-D37
S	VIDEO3	D 0504	87-020-465-080	0E	DIODE,1SS133	HTNM	AV-D37
S	VIDEO3	D 0505	87-020-465-080	0E	DIODE,1SS133	HCNM	AV-D37
S	VIDEO3	D 0505	87-020-465-080	0E	DIODE,1SS133	HRJNM	AV-D37
S	VIDEO3	D 0505	87-020-465-080	0E	DIODE,1SS133	HTNM	AV-D37
S	VIDEO3	D 0506	87-020-465-080	0E	DIODE,1SS133	HCNM	AV-D37
S	VIDEO3	D 0506	87-020-465-080	0E	DIODE,1SS133	HRJNM	AV-D37
S	VIDEO3	D 0506	87-020-465-080	0E	DIODE,1SS133	HTNM	AV-D37
X	VIDEO3	EP 0501	81-689-212-010	0E	PLATE,EARTH	HCNM	AV-D37
X	VIDEO3	EP 0501	81-689-212-010	0E	PLATE,EARTH	HRJNM	AV-D37
X	VIDEO3	EP 0501	81-689-212-010	0E	PLATE,EARTH	HTNM	AV-D37
O	VIDEO3	FB 0501	87-008-372-080	0E	FLTR,EMI BL01 RN1	HCNM	AV-D37
O	VIDEO3	FB 0501	87-008-372-080	0E	FLTR,EMI BL01 RN1	HRJNM	AV-D37
O	VIDEO3	FB 0501	87-008-372-080	0E	FLTR,EMI BL01 RN1	HTNM	AV-D37
O	VIDEO3	FB 0602	87-008-372-080	0E	FLTR,EMI BL01 RN1	HCNM	AV-D37
O	VIDEO3	FB 0602	87-008-372-080	0E	FLTR,EMI BL01 RN1	HRJNM	AV-D37
O	VIDEO3	FB 0602	87-008-372-080	0E	FLTR,EMI BL01 RN1	HTNM	AV-D37
O	VIDEO3	J 0501	87-A60-948-010	1B	JACK,PIN 3P R/W/Y GLD	HCNM	AV-D37
O	VIDEO3	J 0501	87-A60-948-010	1B	JACK,PIN 3P R/W/Y GLD	HRJNM	AV-D37
O	VIDEO3	J 0501	87-A60-948-010	1B	JACK,PIN 3P R/W/Y GLD	HTNM	AV-D37
O	VIDEO3	J 0603	87-A60-550-010	1A	JACK,DIA6.3 BLK ST W/SW KM	HCNM	AV-D37
O	VIDEO3	J 0603	87-A60-550-010	1A	JACK,DIA6.3 BLK ST W/SW KM	HRJNM	AV-D37
O	VIDEO3	J 0603	87-A60-550-010	1A	JACK,DIA6.3 BLK ST W/SW KM	HTNM	AV-D37
X	VIDEO3	JR 0501	88-118-000-080	0E	C-JUMPER,S	HCNM	AV-D37
X	VIDEO3	JR 0501	88-118-000-080	0E	C-JUMPER,S	HRJNM	AV-D37
X	VIDEO3	JR 0501	88-118-000-080	0E	C-JUMPER,S	HTNM	AV-D37
X	VIDEO3	JR 0502	88-118-000-080	0E	C-JUMPER,S	HCNM	AV-D37
X	VIDEO3	JR 0502	88-118-000-080	0E	C-JUMPER,S	HRJNM	AV-D37
X	VIDEO3	JR 0502	88-118-000-080	0E	C-JUMPER,S	HTNM	AV-D37
X	VIDEO3	JR 0503	88-118-000-080	0E	C-JUMPER,S	HCNM	AV-D37
X	VIDEO3	JR 0503	88-118-000-080	0E	C-JUMPER,S	HRJNM	AV-D37
X	VIDEO3	JR 0503	88-118-000-080	0E	C-JUMPER,S	HTNM	AV-D37
X	VIDEO3	JR 0503	88-118-000-080	0E	C-JUMPER,S	HCNM	AV-D37
X	VIDEO3	JR 0504	88-129-000-080	0E	C-JUMPER,3216	HCNM	AV-D37
X	VIDEO3	JR 0504	88-129-000-080	0E	C-JUMPER,3216	HRJNM	AV-D37
X	VIDEO3	JR 0504	88-129-000-080	0E	C-JUMPER,3216	HTNM	AV-D37
X	VIDEO3	R 0503	88-118-334-080	0E	C-RES,S 330K-1/10W J	HCNM	AV-D37
X	VIDEO3	R 0503	88-118-334-080	0E	C-RES,S 330K-1/10W J	HRJNM	AV-D37
X	VIDEO3	R 0503	88-118-334-080	0E	C-RES,S 330K-1/10W J	HTNM	AV-D37
X	VIDEO3	R 0506	88-118-334-080	0E	C-RES,S 330K-1/10W J	HCNM	AV-D37
X	VIDEO3	R 0506	88-118-334-080	0E	C-RES,S 330K-1/10W J	HRJNM	AV-D37
X	VIDEO3	R 0506	88-118-334-080	0E	C-RES,S 330K-1/10W J	HTNM	AV-D37
O	VOLUME	C 0601	87-010-195-080	0E	C-CAP,S 0.068-25 Z F C2012	HCNM	AV-D37
O	VOLUME	C 0601	87-010-195-080	0E	C-CAP,S 0.068-25 Z F C2012	HRJNM	AV-D37
O	VOLUME	C 0601	87-010-195-080	0E	C-CAP,S 0.068-25 Z F C2012	HTNM	AV-D37
O	VOLUME	C 0602	87-010-195-080	0E	C-CAP,S 0.068-25 Z F C2012	HCNM	AV-D37
O	VOLUME	C 0602	87-010-195-080	0E	C-CAP,S 0.068-25 Z F C2012	HRJNM	AV-D37
O	VOLUME	C 0602	87-010-195-080	0E	C-CAP,S 0.068-25 Z F C2012	HTNM	AV-D37
O	VOLUME	C 0603	87-010-195-080	0E	C-CAP,S 0.068-25 Z F C2012	HCNM	AV-D37
O	VOLUME	C 0603	87-010-195-080	0E	C-CAP,S 0.068-25 Z F C2012	HRJNM	AV-D37
O	VOLUME	C 0603	87-010-195-080	0E	C-CAP,S 0.068-25 Z F C2012	HTNM	AV-D37
O	VOLUME	C 0604	87-010-195-080	0E	C-CAP,S 0.068-25 Z F C2012	HCNM	AV-D37
O	VOLUME	C 0604	87-010-195-080	0E	C-CAP,S 0.068-25 Z F C2012	HRJNM	AV-D37
O	VOLUME	C 0604	87-010-195-080	0E	C-CAP,S 0.068-25 Z F C2012	HTNM	AV-D37
O	VOLUME	C 0605	87-010-195-080	0E	C-CAP,S 0.068-25 Z F C2012	HCNM	AV-D37
O	VOLUME	C 0605	87-010-195-080	0E	C-CAP,S 0.068-25 Z F C2012	HRJNM	AV-D37
O	VOLUME	C 0605	87-010-195-080	0E	C-CAP,S 0.068-25 Z F C2012	HTNM	AV-D37
O	VOLUME	C 0606	87-010-805-080	0E	C-CAP,S 1-16 Z F	HCNM	AV-D37
O	VOLUME	C 0606	87-010-805-080	0E	C-CAP,S 1-16 Z F	HRJNM	AV-D37
O	VOLUME	C 0606	87-010-805-080	0E	C-CAP,S 1-16 Z F	HTNM	AV-D37
O	VOLUME	C 0607	87-010-178-080	0E	C-CAP,S 1000P-50 K B C2012	HCNM	AV-D37
O	VOLUME	C 0607	87-010-178-080	0E	C-CAP,S 1000P-50 K B C2012	HRJNM	AV-D37

# PARTS LIST

! =  $\Delta$  SAFTY PARTS  
 C = Components marked

All components used on this model at the production line are shown in this service manual.

However, please note that not all components will be available as spare parts for after-sales service.

Components marked S and O are designated as spare parts for service and will be stocked at the spare parts centers.

Components marked X and R are not designated as spare parts for after sales service, and will not be stocked at the spare parts centers.

K NO. = Only use japanese.

! C	UNIT NAME	REF NO.	PARTS CODE	K NO.	DESCRIPTION	SUFFIX	MODEL NAME	
O	VOLUME	C 0607	87-010-178-080	0E	C-CAP,S 1000P-50 K B C2012	HTNM	AV-D37	
O	VOLUME	C 0608	87-010-186-080	0E	C-CAP,S 4700P-50 K B C2012	HCNM	AV-D37	
O	VOLUME	C 0608	87-010-186-080	0E	C-CAP,S 4700P-50 K B C2012	HRJNM	AV-D37	
O	VOLUME	C 0608	87-010-186-080	0E	C-CAP,S 4700P-50 K B C2012	HTNM	AV-D37	
O	VOLUME	C 0610	87-010-196-080	0E	C-CAP,S 0.1-25 Z F C2012	HCNM	AV-D37	
O	VOLUME	C 0610	87-010-196-080	0E	C-CAP,S 0.1-25 Z F C2012	HRJNM	AV-D37	
O	VOLUME	C 0610	87-010-196-080	0E	C-CAP,S 0.1-25 Z F C2012	HTNM	AV-D37	
O	VOLUME	C 0611	87-010-196-080	0E	C-CAP,S 0.1-25 Z F C2012	HCNM	AV-D37	
O	VOLUME	C 0611	87-010-196-080	0E	C-CAP,S 0.1-25 Z F C2012	HRJNM	AV-D37	
O	VOLUME	C 0611	87-010-196-080	0E	C-CAP,S 0.1-25 Z F C2012	HTNM	AV-D37	
O	VOLUME	C 0612	87-010-196-080	0E	C-CAP,S 0.1-25 Z F C2012	HCNM	AV-D37	
O	VOLUME	C 0612	87-010-196-080	0E	C-CAP,S 0.1-25 Z F C2012	HRJNM	AV-D37	
O	VOLUME	C 0612	87-010-196-080	0E	C-CAP,S 0.1-25 Z F C2012	HTNM	AV-D37	
O	VOLUME	C 0613	87-010-196-080	0E	C-CAP,S 0.1-25 Z F C2012	HCNM	AV-D37	
O	VOLUME	C 0613	87-010-196-080	0E	C-CAP,S 0.1-25 Z F C2012	HRJNM	AV-D37	
O	VOLUME	C 0613	87-010-196-080	0E	C-CAP,S 0.1-25 Z F C2012	HTNM	AV-D37	
O	VOLUME	C 0614	87-010-196-080	0E	C-CAP,S 0.1-25 Z F C2012	HCNM	AV-D37	
O	VOLUME	C 0614	87-010-196-080	0E	C-CAP,S 0.1-25 Z F C2012	HRJNM	AV-D37	
O	VOLUME	C 0614	87-010-196-080	0E	C-CAP,S 0.1-25 Z F C2012	HTNM	AV-D37	
O	VOLUME	C 0615	87-010-196-080	0E	C-CAP,S 0.1-25 Z F C2012	HCNM	AV-D37	
O	VOLUME	C 0615	87-010-196-080	0E	C-CAP,S 0.1-25 Z F C2012	HRJNM	AV-D37	
O	VOLUME	C 0615	87-010-196-080	0E	C-CAP,S 0.1-25 Z F C2012	HTNM	AV-D37	
O	VOLUME	C 0634	87-010-374-080	0E	CAP,E 47-10 M 11L SME	HCNM	AV-D37	
O	VOLUME	C 0634	87-010-374-080	0E	CAP,E 47-10 M 11L SME	HRJNM	AV-D37	
O	VOLUME	C 0634	87-010-374-080	0E	CAP,E 47-10 M 11L SME	HTNM	AV-D37	
X	VOLUME	C 0635	88-100-000-010	0E	PLATING-JW, 0.58 SN95	HCNM	AV-D37	
X	VOLUME	C 0635	88-100-000-010	0E	PLATING-JW, 0.58 SN95	HRJNM	AV-D37	
X	VOLUME	C 0635	88-100-000-010	0E	PLATING-JW, 0.58 SN95	HTNM	AV-D37	
O	VOLUME	CN 0601	87-099-757-010	0E	CONN,16P H 9604	HCNM	AV-D37	
O	VOLUME	CN 0601	87-099-757-010	0E	CONN,16P H 9604	HRJNM	AV-D37	
O	VOLUME	CN 0601	87-099-757-010	0E	CONN,16P H 9604	HTNM	AV-D37	
O	VOLUME	CN 0602	87-009-371-010	1A	CONN,6P V BLK BTMK	HCNM	AV-D37	
O	VOLUME	CN 0602	87-009-371-010	1A	CONN,6P V BLK BTMK	HRJNM	AV-D37	
O	VOLUME	CN 0602	87-009-371-010	1A	CONN,6P V BLK BTMK	HTNM	AV-D37	
!	O	VOLUME	CN 0603	87-A60-080-010	0E	CONN,07P H 9604S-07F	HCNM	AV-D37
!	O	VOLUME	CN 0603	87-A60-080-010	0E	CONN,07P H 9604S-07F	HRJNM	AV-D37
!	O	VOLUME	CN 0603	87-A60-080-010	0E	CONN,07P H 9604S-07F	HTNM	AV-D37
S	VOLUME	D 0602	87-017-931-080	0E	ZENER,MTZJ5.6B	HCNM	AV-D37	
S	VOLUME	D 0602	87-017-931-080	0E	ZENER,MTZJ5.6B	HRJNM	AV-D37	
S	VOLUME	D 0602	87-017-931-080	0E	ZENER,MTZJ5.6B	HTNM	AV-D37	
X	VOLUME	JR 0611	88-129-000-080	0E	C-JUMPER,3216	HCNM	AV-D37	
X	VOLUME	JR 0611	88-129-000-080	0E	C-JUMPER,3216	HRJNM	AV-D37	
X	VOLUME	JR 0611	88-129-000-080	0E	C-JUMPER,3216	HTNM	AV-D37	
X	VOLUME	JR 0612	88-129-000-080	0E	C-JUMPER,3216	HCNM	AV-D37	
X	VOLUME	JR 0612	88-129-000-080	0E	C-JUMPER,3216	HRJNM	AV-D37	
X	VOLUME	JR 0612	88-129-000-080	0E	C-JUMPER,3216	HTNM	AV-D37	
X	VOLUME	JR 0613	88-129-000-080	0E	C-JUMPER,3216	HCNM	AV-D37	
X	VOLUME	JR 0613	88-129-000-080	0E	C-JUMPER,3216	HRJNM	AV-D37	
X	VOLUME	JR 0613	88-129-000-080	0E	C-JUMPER,3216	HTNM	AV-D37	
X	VOLUME	JR 0614	88-129-000-080	0E	C-JUMPER,3216	HCNM	AV-D37	
X	VOLUME	JR 0614	88-129-000-080	0E	C-JUMPER,3216	HRJNM	AV-D37	
X	VOLUME	JR 0614	88-129-000-080	0E	C-JUMPER,3216	HTNM	AV-D37	
X	VOLUME	JR 0623	88-129-000-080	0E	C-JUMPER,3216	HCNM	AV-D37	
X	VOLUME	JR 0623	88-129-000-080	0E	C-JUMPER,3216	HRJNM	AV-D37	
X	VOLUME	JR 0623	88-129-000-080	0E	C-JUMPER,3216	HTNM	AV-D37	
X	VOLUME	JR 0624	88-118-000-080	0E	C-JUMPER,S	HCNM	AV-D37	
X	VOLUME	JR 0624	88-118-000-080	0E	C-JUMPER,S	HRJNM	AV-D37	
X	VOLUME	JR 0624	88-118-000-080	0E	C-JUMPER,S	HTNM	AV-D37	
X	VOLUME	JR 0627	88-129-000-080	0E	C-JUMPER,3216	HCNM	AV-D37	
X	VOLUME	JR 0627	88-129-000-080	0E	C-JUMPER,3216	HRJNM	AV-D37	
X	VOLUME	JR 0627	88-129-000-080	0E	C-JUMPER,3216	HTNM	AV-D37	
S	VOLUME	Q 0601	87-A30-076-080	0E	C-TR,2SC3052F	HCNM	AV-D37	
S	VOLUME	Q 0601	87-A30-076-080	0E	C-TR,2SC3052F	HRJNM	AV-D37	
S	VOLUME	Q 0601	87-A30-076-080	0E	C-TR,2SC3052F	HTNM	AV-D37	
S	VOLUME	Q 0602	87-A30-075-080	0E	C-TR,2SA1235F	HCNM	AV-D37	
S	VOLUME	Q 0602	87-A30-075-080	0E	C-TR,2SA1235F	HRJNM	AV-D37	
S	VOLUME	Q 0602	87-A30-075-080	0E	C-TR,2SA1235F	HTNM	AV-D37	
S	VOLUME	Q 0603	87-A30-076-080	0E	C-TR,2SC3052F	HCNM	AV-D37	
S	VOLUME	Q 0603	87-A30-076-080	0E	C-TR,2SC3052F	HRJNM	AV-D37	
S	VOLUME	Q 0603	87-A30-076-080	0E	C-TR,2SC3052F	HTNM	AV-D37	

# PARTS LIST

! =  $\Delta$  SAFTY PARTS  
 C = Components marked

All components used on this model at the production line are shown in this service manual.

However, please note that not all components will be available as spare parts for after-sales service.

Components marked S and O are designated as spare parts for service and will be stocked at the spare parts centers.

Components marked X and R are not designated as spare parts for after sales service, and will not be stocked at the spare parts centers.

K NO. = Only use Japanese.

! C	UNIT NAME	REF NO.	PARTS CODE	K NO.	DESCRIPTION	SUFFIX	MODEL NAME
S	VOLUME	Q 0604	87-A30-075-080	0E	C-TR, 2SA1235F	HCNM	AV-D37
S	VOLUME	Q 0604	87-A30-075-080	0E	C-TR, 2SA1235F	HRJNM	AV-D37
S	VOLUME	Q 0604	87-A30-075-080	0E	C-TR, 2SA1235F	HTNM	AV-D37
S	VOLUME	Q 0605	87-A30-075-080	0E	C-TR, 2SA1235F	HCNM	AV-D37
S	VOLUME	Q 0605	87-A30-075-080	0E	C-TR, 2SA1235F	HRJNM	AV-D37
S	VOLUME	Q 0605	87-A30-075-080	0E	C-TR, 2SA1235F	HTNM	AV-D37
S	VOLUME	Q 0606	87-A30-075-080	0E	C-TR, 2SA1235F	HCNM	AV-D37
S	VOLUME	Q 0606	87-A30-075-080	0E	C-TR, 2SA1235F	HRJNM	AV-D37
S	VOLUME	Q 0606	87-A30-075-080	0E	C-TR, 2SA1235F	HTNM	AV-D37
S	VOLUME	Q 0607	87-A30-076-080	0E	C-TR, 2SC3052F	HCNM	AV-D37
S	VOLUME	Q 0607	87-A30-076-080	0E	C-TR, 2SC3052F	HRJNM	AV-D37
S	VOLUME	Q 0607	87-A30-076-080	0E	C-TR, 2SC3052F	HTNM	AV-D37
S	VOLUME	Q 0608	87-A30-075-080	0E	C-TR, 2SA1235F	HCNM	AV-D37
S	VOLUME	Q 0608	87-A30-075-080	0E	C-TR, 2SA1235F	HRJNM	AV-D37
S	VOLUME	Q 0608	87-A30-075-080	0E	C-TR, 2SA1235F	HTNM	AV-D37
S	VOLUME	Q 0609	87-A30-076-080	0E	C-TR, 2SC3052F	HCNM	AV-D37
S	VOLUME	Q 0609	87-A30-076-080	0E	C-TR, 2SC3052F	HRJNM	AV-D37
S	VOLUME	Q 0609	87-A30-076-080	0E	C-TR, 2SC3052F	HTNM	AV-D37
S	VOLUME	Q 0610	87-A30-075-080	0E	C-TR, 2SA1235F	HCNM	AV-D37
S	VOLUME	Q 0610	87-A30-075-080	0E	C-TR, 2SA1235F	HRJNM	AV-D37
S	VOLUME	Q 0610	87-A30-075-080	0E	C-TR, 2SA1235F	HTNM	AV-D37
S	VOLUME	Q 0611	87-A30-075-080	0E	C-TR, 2SA1235F	HCNM	AV-D37
S	VOLUME	Q 0611	87-A30-075-080	0E	C-TR, 2SA1235F	HRJNM	AV-D37
S	VOLUME	Q 0611	87-A30-075-080	0E	C-TR, 2SA1235F	HTNM	AV-D37
S	VOLUME	Q 0612	87-A30-075-080	0E	C-TR, 2SA1235F	HCNM	AV-D37
S	VOLUME	Q 0612	87-A30-075-080	0E	C-TR, 2SA1235F	HRJNM	AV-D37
S	VOLUME	Q 0612	87-A30-075-080	0E	C-TR, 2SA1235F	HTNM	AV-D37
S	VOLUME	Q 0613	87-A30-076-080	0E	C-TR, 2SC3052F	HCNM	AV-D37
S	VOLUME	Q 0613	87-A30-076-080	0E	C-TR, 2SC3052F	HRJNM	AV-D37
S	VOLUME	Q 0613	87-A30-076-080	0E	C-TR, 2SC3052F	HTNM	AV-D37
S	VOLUME	Q 0614	87-A30-075-080	0E	C-TR, 2SA1235F	HCNM	AV-D37
S	VOLUME	Q 0614	87-A30-075-080	0E	C-TR, 2SA1235F	HRJNM	AV-D37
S	VOLUME	Q 0614	87-A30-075-080	0E	C-TR, 2SA1235F	HTNM	AV-D37
S	VOLUME	Q 0615	87-A30-076-080	0E	C-TR, 2SC3052F	HCNM	AV-D37
S	VOLUME	Q 0615	87-A30-076-080	0E	C-TR, 2SC3052F	HRJNM	AV-D37
S	VOLUME	Q 0615	87-A30-076-080	0E	C-TR, 2SC3052F	HTNM	AV-D37
S	VOLUME	Q 0616	87-A30-075-080	0E	C-TR, 2SA1235F	HCNM	AV-D37
S	VOLUME	Q 0616	87-A30-075-080	0E	C-TR, 2SA1235F	HRJNM	AV-D37
S	VOLUME	Q 0616	87-A30-075-080	0E	C-TR, 2SA1235F	HTNM	AV-D37
S	VOLUME	Q 0617	87-A30-075-080	0E	C-TR, 2SA1235F	HCNM	AV-D37
S	VOLUME	Q 0617	87-A30-075-080	0E	C-TR, 2SA1235F	HRJNM	AV-D37
S	VOLUME	Q 0617	87-A30-075-080	0E	C-TR, 2SA1235F	HTNM	AV-D37
S	VOLUME	Q 0618	87-A30-075-080	0E	C-TR, 2SA1235F	HCNM	AV-D37
S	VOLUME	Q 0618	87-A30-075-080	0E	C-TR, 2SA1235F	HRJNM	AV-D37
S	VOLUME	Q 0618	87-A30-075-080	0E	C-TR, 2SA1235F	HTNM	AV-D37
S	VOLUME	Q 0619	87-026-610-080	0E	TR, KTC3198GR	HCNM	AV-D37
S	VOLUME	Q 0619	87-026-610-080	0E	TR, KTC3198GR	HRJNM	AV-D37
S	VOLUME	Q 0619	87-026-610-080	0E	TR, KTC3198GR	HTNM	AV-D37
X	VOLUME	R 0601	88-118-224-080	0E	C-RES, S 220K-1/10W J	HCNM	AV-D37
X	VOLUME	R 0601	88-118-224-080	0E	C-RES, S 220K-1/10W J	HRJNM	AV-D37
X	VOLUME	R 0601	88-118-224-080	0E	C-RES, S 220K-1/10W J	HTNM	AV-D37
X	VOLUME	R 0601	88-118-224-080	0E	C-RES, S 220K-1/10W J	HCNM	AV-D37
X	VOLUME	R 0601	88-118-224-080	0E	C-RES, S 220K-1/10W J	HRJNM	AV-D37
X	VOLUME	R 0601	88-118-224-080	0E	C-RES, S 220K-1/10W J	HTNM	AV-D37
X	VOLUME	R 0602	88-118-474-080	0E	C-RES, S 470K-1/10W J	HCNM	AV-D37
X	VOLUME	R 0602	88-118-474-080	0E	C-RES, S 470K-1/10W J	HRJNM	AV-D37
X	VOLUME	R 0602	88-118-474-080	0E	C-RES, S 470K-1/10W J	HTNM	AV-D37
X	VOLUME	R 0602	88-118-474-080	0E	C-RES, S 470K-1/10W J	HCNM	AV-D37
X	VOLUME	R 0602	88-118-474-080	0E	C-RES, S 470K-1/10W J	HRJNM	AV-D37
X	VOLUME	R 0602	88-118-474-080	0E	C-RES, S 470K-1/10W J	HTNM	AV-D37
X	VOLUME	R 0603	88-118-822-080	0E	C-RES, S 8.2K-1/10W J	HCNM	AV-D37
X	VOLUME	R 0603	88-118-822-080	0E	C-RES, S 8.2K-1/10W J	HRJNM	AV-D37
X	VOLUME	R 0603	88-118-822-080	0E	C-RES, S 8.2K-1/10W J	HTNM	AV-D37
X	VOLUME	R 0604	88-118-472-080	0E	C-RES, S 4.7K-1/10W J	HCNM	AV-D37
X	VOLUME	R 0604	88-118-472-080	0E	C-RES, S 4.7K-1/10W J	HRJNM	AV-D37
X	VOLUME	R 0604	88-118-472-080	0E	C-RES, S 4.7K-1/10W J	HTNM	AV-D37
X	VOLUME	R 0605	88-118-224-080	0E	C-RES, S 220K-1/10W J	HCNM	AV-D37
X	VOLUME	R 0605	88-118-224-080	0E	C-RES, S 220K-1/10W J	HRJNM	AV-D37
X	VOLUME	R 0605	88-118-224-080	0E	C-RES, S 220K-1/10W J	HTNM	AV-D37
X	VOLUME	R 0606	88-118-474-080	0E	C-RES, S 470K-1/10W J	HCNM	AV-D37
X	VOLUME	R 0606	88-118-474-080	0E	C-RES, S 470K-1/10W J	HRJNM	AV-D37
X	VOLUME	R 0606	88-118-474-080	0E	C-RES, S 470K-1/10W J	HTNM	AV-D37
X	VOLUME	R 0607	88-118-472-080	0E	C-RES, S 4.7K-1/10W J	HCNM	AV-D37
X	VOLUME	R 0607	88-118-472-080	0E	C-RES, S 4.7K-1/10W J	HRJNM	AV-D37
X	VOLUME	R 0607	88-118-472-080	0E	C-RES, S 4.7K-1/10W J	HTNM	AV-D37
X	VOLUME	R 0608	88-118-822-080	0E	C-RES, S 8.2K-1/10W J	HCNM	AV-D37

# PARTS LIST

! =  $\Delta$  SAFTY PARTS  
 C = Components marked

All components used on this model at the production line are shown in this service manual.

However, please note that not all components will be available as spare parts for after-sales service.

Components marked S and O are designated as spare parts for service and will be stocked at the spare parts centers.

Components marked X and R are not designated as spare parts for after sales service, and will not be stocked at the spare parts centers.

K NO. = Only use japanese.

! C	UNIT NAME	REF NO.	PARTS CODE	K NO.	DESCRIPTION	SUFFIX	MODEL NAME
X	VOLUME	R 0608	88-118-822-080	0E	C-RES,S 8.2K-1/10W J	HRJNM	AV-D37
X	VOLUME	R 0608	88-118-822-080	0E	C-RES,S 8.2K-1/10W J	HTNM	AV-D37
X	VOLUME	R 0609	88-118-101-080	0E	C-RES,S 100-1/10W J	HCNM	AV-D37
X	VOLUME	R 0609	88-118-101-080	0E	C-RES,S 100-1/10W J	HRJNM	AV-D37
X	VOLUME	R 0609	88-118-101-080	0E	C-RES,S 100-1/10W J	HTNM	AV-D37
X	VOLUME	R 0610	88-118-224-080	0E	C-RES,S 220K-1/10W J	HCNM	AV-D37
X	VOLUME	R 0610	88-118-224-080	0E	C-RES,S 220K-1/10W J	HRJNM	AV-D37
X	VOLUME	R 0610	88-118-224-080	0E	C-RES,S 220K-1/10W J	HTNM	AV-D37
X	VOLUME	R 0611	88-118-474-080	0E	C-RES,S 470K-1/10W J	HCNM	AV-D37
X	VOLUME	R 0611	88-118-474-080	0E	C-RES,S 470K-1/10W J	HRJNM	AV-D37
X	VOLUME	R 0611	88-118-474-080	0E	C-RES,S 470K-1/10W J	HTNM	AV-D37
X	VOLUME	R 0612	88-118-822-080	0E	C-RES,S 8.2K-1/10W J	HCNM	AV-D37
X	VOLUME	R 0612	88-118-822-080	0E	C-RES,S 8.2K-1/10W J	HRJNM	AV-D37
X	VOLUME	R 0612	88-118-822-080	0E	C-RES,S 8.2K-1/10W J	HTNM	AV-D37
X	VOLUME	R 0613	88-118-472-080	0E	C-RES,S 4.7K-1/10W J	HCNM	AV-D37
X	VOLUME	R 0613	88-118-472-080	0E	C-RES,S 4.7K-1/10W J	HRJNM	AV-D37
X	VOLUME	R 0613	88-118-472-080	0E	C-RES,S 4.7K-1/10W J	HTNM	AV-D37
X	VOLUME	R 0614	88-118-224-080	0E	C-RES,S 220K-1/10W J	HCNM	AV-D37
X	VOLUME	R 0614	88-118-224-080	0E	C-RES,S 220K-1/10W J	HRJNM	AV-D37
X	VOLUME	R 0614	88-118-224-080	0E	C-RES,S 220K-1/10W J	HTNM	AV-D37
X	VOLUME	R 0615	88-118-474-080	0E	C-RES,S 470K-1/10W J	HCNM	AV-D37
X	VOLUME	R 0615	88-118-474-080	0E	C-RES,S 470K-1/10W J	HRJNM	AV-D37
X	VOLUME	R 0615	88-118-474-080	0E	C-RES,S 470K-1/10W J	HTNM	AV-D37
X	VOLUME	R 0616	88-118-472-080	0E	C-RES,S 4.7K-1/10W J	HCNM	AV-D37
X	VOLUME	R 0616	88-118-472-080	0E	C-RES,S 4.7K-1/10W J	HRJNM	AV-D37
X	VOLUME	R 0616	88-118-472-080	0E	C-RES,S 4.7K-1/10W J	HTNM	AV-D37
X	VOLUME	R 0617	88-118-822-080	0E	C-RES,S 8.2K-1/10W J	HCNM	AV-D37
X	VOLUME	R 0617	88-118-822-080	0E	C-RES,S 8.2K-1/10W J	HRJNM	AV-D37
X	VOLUME	R 0617	88-118-822-080	0E	C-RES,S 8.2K-1/10W J	HTNM	AV-D37
X	VOLUME	R 0618	88-118-101-080	0E	C-RES,S 100-1/10W J	HCNM	AV-D37
X	VOLUME	R 0618	88-118-101-080	0E	C-RES,S 100-1/10W J	HRJNM	AV-D37
X	VOLUME	R 0618	88-118-101-080	0E	C-RES,S 100-1/10W J	HTNM	AV-D37
X	VOLUME	R 0619	88-118-224-080	0E	C-RES,S 220K-1/10W J	HCNM	AV-D37
X	VOLUME	R 0619	88-118-224-080	0E	C-RES,S 220K-1/10W J	HRJNM	AV-D37
X	VOLUME	R 0619	88-118-224-080	0E	C-RES,S 220K-1/10W J	HTNM	AV-D37
X	VOLUME	R 0620	88-118-105-080	0E	C-RES,S 1M-1/10W J	HCNM	AV-D37
X	VOLUME	R 0620	88-118-105-080	0E	C-RES,S 1M-1/10W J	HRJNM	AV-D37
X	VOLUME	R 0620	88-118-105-080	0E	C-RES,S 1M-1/10W J	HTNM	AV-D37
X	VOLUME	R 0621	88-118-822-080	0E	C-RES,S 8.2K-1/10W J	HCNM	AV-D37
X	VOLUME	R 0621	88-118-822-080	0E	C-RES,S 8.2K-1/10W J	HRJNM	AV-D37
X	VOLUME	R 0621	88-118-822-080	0E	C-RES,S 8.2K-1/10W J	HTNM	AV-D37
X	VOLUME	R 0622	88-118-472-080	0E	C-RES,S 4.7K-1/10W J	HCNM	AV-D37
X	VOLUME	R 0622	88-118-472-080	0E	C-RES,S 4.7K-1/10W J	HRJNM	AV-D37
X	VOLUME	R 0622	88-118-472-080	0E	C-RES,S 4.7K-1/10W J	HTNM	AV-D37
X	VOLUME	R 0623	88-118-224-080	0E	C-RES,S 220K-1/10W J	HCNM	AV-D37
X	VOLUME	R 0623	88-118-224-080	0E	C-RES,S 220K-1/10W J	HRJNM	AV-D37
X	VOLUME	R 0623	88-118-224-080	0E	C-RES,S 220K-1/10W J	HTNM	AV-D37
X	VOLUME	R 0624	88-118-105-080	0E	C-RES,S 1M-1/10W J	HCNM	AV-D37
X	VOLUME	R 0624	88-118-105-080	0E	C-RES,S 1M-1/10W J	HRJNM	AV-D37
X	VOLUME	R 0624	88-118-105-080	0E	C-RES,S 1M-1/10W J	HTNM	AV-D37
X	VOLUME	R 0625	88-118-472-080	0E	C-RES,S 4.7K-1/10W J	HCNM	AV-D37
X	VOLUME	R 0625	88-118-472-080	0E	C-RES,S 4.7K-1/10W J	HRJNM	AV-D37
X	VOLUME	R 0625	88-118-472-080	0E	C-RES,S 4.7K-1/10W J	HTNM	AV-D37
X	VOLUME	R 0626	88-118-822-080	0E	C-RES,S 8.2K-1/10W J	HCNM	AV-D37
X	VOLUME	R 0626	88-118-822-080	0E	C-RES,S 8.2K-1/10W J	HRJNM	AV-D37
X	VOLUME	R 0626	88-118-822-080	0E	C-RES,S 8.2K-1/10W J	HTNM	AV-D37
X	VOLUME	R 0627	88-118-101-080	0E	C-RES,S 100-1/10W J	HCNM	AV-D37
X	VOLUME	R 0627	88-118-101-080	0E	C-RES,S 100-1/10W J	HRJNM	AV-D37
X	VOLUME	R 0627	88-118-101-080	0E	C-RES,S 100-1/10W J	HTNM	AV-D37
X	VOLUME	R 0628	88-118-152-080	0E	C-RES,S 1.5K-1/10W J	HCNM	AV-D37
X	VOLUME	R 0628	88-118-152-080	0E	C-RES,S 1.5K-1/10W J	HRJNM	AV-D37
X	VOLUME	R 0628	88-118-152-080	0E	C-RES,S 1.5K-1/10W J	HTNM	AV-D37
X	VOLUME	R 0629	88-118-682-080	0E	C-RES,S 6.8K-1/10W J	HCNM	AV-D37
X	VOLUME	R 0629	88-118-682-080	0E	C-RES,S 6.8K-1/10W J	HRJNM	AV-D37
X	VOLUME	R 0629	88-118-682-080	0E	C-RES,S 6.8K-1/10W J	HTNM	AV-D37
X	VOLUME	R 0630	88-118-273-080	0E	C-RES,S 27K-1/10W J	HCNM	AV-D37
X	VOLUME	R 0630	88-118-273-080	0E	C-RES,S 27K-1/10W J	HRJNM	AV-D37
X	VOLUME	R 0630	88-118-273-080	0E	C-RES,S 27K-1/10W J	HTNM	AV-D37
X	VOLUME	R 0631	88-118-102-080	0E	C-RES,S 1K-1/10W J	HCNM	AV-D37
X	VOLUME	R 0631	88-118-102-080	0E	C-RES,S 1K-1/10W J	HRJNM	AV-D37
X	VOLUME	R 0631	88-118-102-080	0E	C-RES,S 1K-1/10W J	HTNM	AV-D37

# PARTS LIST

! =  $\Delta$  SAFTY PARTS  
 C = Components marked

All components used on this model at the production line are shown in this service manual.

However, please note that not all components will be available as spare parts for after-sales service.

Components marked S and O are designated as spare parts for service and will be stocked at the spare parts centers.

Components marked X and R are not designated as spare parts for after sales service, and will not be stocked at the spare parts centers.

K NO. = Only use japanese.

! C	UNIT NAME	REF NO.	PARTS CODE	K NO.	DESCRIPTION	SUFFIX	MODEL NAME
X	VOLUME	R 0631	88-118-102-080	0E	C-RES,S 1K-1/10W J	HTNM	AV-D37
X	VOLUME	R 0632	88-118-152-080	0E	C-RES,S 1.5K-1/10W J	HCNM	AV-D37
X	VOLUME	R 0632	88-118-152-080	0E	C-RES,S 1.5K-1/10W J	HRJNM	AV-D37
X	VOLUME	R 0632	88-118-152-080	0E	C-RES,S 1.5K-1/10W J	HTNM	AV-D37
X	VOLUME	R 0633	88-118-101-080	0E	C-RES,S 100-1/10W J	HCNM	AV-D37
X	VOLUME	R 0633	88-118-101-080	0E	C-RES,S 100-1/10W J	HRJNM	AV-D37
X	VOLUME	R 0633	88-118-101-080	0E	C-RES,S 100-1/10W J	HTNM	AV-D37
X	VOLUME	R 0634	88-118-101-080	0E	C-RES,S 100-1/10W J	HCNM	AV-D37
X	VOLUME	R 0634	88-118-101-080	0E	C-RES,S 100-1/10W J	HRJNM	AV-D37
X	VOLUME	R 0634	88-118-101-080	0E	C-RES,S 100-1/10W J	HTNM	AV-D37
X	VOLUME	R 0635	88-118-101-080	0E	C-RES,S 100-1/10W J	HCNM	AV-D37
X	VOLUME	R 0635	88-118-101-080	0E	C-RES,S 100-1/10W J	HRJNM	AV-D37
X	VOLUME	R 0635	88-118-101-080	0E	C-RES,S 100-1/10W J	HTNM	AV-D37
X	VOLUME	R 0636	88-118-331-080	0E	C-RES,S 330-1/10W J	HCNM	AV-D37
X	VOLUME	R 0636	88-118-331-080	0E	C-RES,S 330-1/10W J	HRJNM	AV-D37
X	VOLUME	R 0636	88-118-331-080	0E	C-RES,S 330-1/10W J	HTNM	AV-D37
X	VOLUME	R 0637	88-128-180-080	0E	C-RES, 18-1/8W J	HCNM	AV-D37
X	VOLUME	R 0637	88-128-180-080	0E	C-RES, 18-1/8W J	HRJNM	AV-D37
X	VOLUME	R 0637	88-128-180-080	0E	C-RES, 18-1/8W J	HTNM	AV-D37
X	VOLUME	R 0638	88-118-470-080	0E	C-RES,S 47-1/10W J	HCNM	AV-D37
X	VOLUME	R 0638	88-118-470-080	0E	C-RES,S 47-1/10W J	HRJNM	AV-D37
X	VOLUME	R 0638	88-118-470-080	0E	C-RES,S 47-1/10W J	HTNM	AV-D37
X	VOLUME	R 0640	88-118-823-080	0E	C-RES,S 82K-1/10W J	HCNM	AV-D37
X	VOLUME	R 0640	88-118-823-080	0E	C-RES,S 82K-1/10W J	HRJNM	AV-D37
X	VOLUME	R 0640	88-118-823-080	0E	C-RES,S 82K-1/10W J	HTNM	AV-D37
X	VOLUME	R 0641	88-118-823-080	0E	C-RES,S 82K-1/10W J	HCNM	AV-D37
X	VOLUME	R 0641	88-118-823-080	0E	C-RES,S 82K-1/10W J	HRJNM	AV-D37
X	VOLUME	R 0641	88-118-823-080	0E	C-RES,S 82K-1/10W J	HTNM	AV-D37
X	VOLUME	R 0642	88-118-823-080	0E	C-RES,S 82K-1/10W J	HCNM	AV-D37
X	VOLUME	R 0642	88-118-823-080	0E	C-RES,S 82K-1/10W J	HRJNM	AV-D37
X	VOLUME	R 0642	88-118-823-080	0E	C-RES,S 82K-1/10W J	HTNM	AV-D37
X	VOLUME	R 0643	88-118-823-080	0E	C-RES,S 82K-1/10W J	HCNM	AV-D37
X	VOLUME	R 0643	88-118-823-080	0E	C-RES,S 82K-1/10W J	HRJNM	AV-D37
X	VOLUME	R 0643	88-118-823-080	0E	C-RES,S 82K-1/10W J	HTNM	AV-D37
X	VOLUME	R 0644	88-118-823-080	0E	C-RES,S 82K-1/10W J	HCNM	AV-D37
X	VOLUME	R 0644	88-118-823-080	0E	C-RES,S 82K-1/10W J	HRJNM	AV-D37
X	VOLUME	R 0644	88-118-823-080	0E	C-RES,S 82K-1/10W J	HTNM	AV-D37
X	VOLUME	R 0645	88-118-823-080	0E	C-RES,S 82K-1/10W J	HCNM	AV-D37
X	VOLUME	R 0645	88-118-823-080	0E	C-RES,S 82K-1/10W J	HRJNM	AV-D37
X	VOLUME	R 0645	88-118-823-080	0E	C-RES,S 82K-1/10W J	HTNM	AV-D37
X	VOLUME	R 0646	88-118-105-080	0E	C-RES,S 1M-1/10W J	HCNM	AV-D37
X	VOLUME	R 0646	88-118-105-080	0E	C-RES,S 1M-1/10W J	HRJNM	AV-D37
X	VOLUME	R 0646	88-118-105-080	0E	C-RES,S 1M-1/10W J	HTNM	AV-D37
X	VOLUME	R 0647	88-118-105-080	0E	C-RES,S 1M-1/10W J	HCNM	AV-D37
X	VOLUME	R 0647	88-118-105-080	0E	C-RES,S 1M-1/10W J	HRJNM	AV-D37
X	VOLUME	R 0647	88-118-105-080	0E	C-RES,S 1M-1/10W J	HTNM	AV-D37
X	VOLUME	R 0648	88-118-105-080	0E	C-RES,S 1M-1/10W J	HCNM	AV-D37
X	VOLUME	R 0648	88-118-105-080	0E	C-RES,S 1M-1/10W J	HRJNM	AV-D37
X	VOLUME	R 0648	88-118-105-080	0E	C-RES,S 1M-1/10W J	HTNM	AV-D37
X	VOLUME	R 0649	88-118-105-080	0E	C-RES,S 1M-1/10W J	HCNM	AV-D37
X	VOLUME	R 0649	88-118-105-080	0E	C-RES,S 1M-1/10W J	HRJNM	AV-D37
X	VOLUME	R 0649	88-118-105-080	0E	C-RES,S 1M-1/10W J	HTNM	AV-D37
X	VOLUME	R 0650	88-118-105-080	0E	C-RES,S 1M-1/10W J	HCNM	AV-D37
X	VOLUME	R 0650	88-118-105-080	0E	C-RES,S 1M-1/10W J	HRJNM	AV-D37
X	VOLUME	R 0650	88-118-105-080	0E	C-RES,S 1M-1/10W J	HTNM	AV-D37
X	VOLUME	R 0651	88-118-105-080	0E	C-RES,S 1M-1/10W J	HCNM	AV-D37
X	VOLUME	R 0651	88-118-105-080	0E	C-RES,S 1M-1/10W J	HRJNM	AV-D37
X	VOLUME	R 0651	88-118-105-080	0E	C-RES,S 1M-1/10W J	HTNM	AV-D37
X	VOLUME	R 0671	88-118-104-080	0E	C-RES,S 100K-1/10W J	HCNM	AV-D37
X	VOLUME	R 0671	88-118-104-080	0E	C-RES,S 100K-1/10W J	HRJNM	AV-D37
X	VOLUME	R 0671	88-118-104-080	0E	C-RES,S 100K-1/10W J	HTNM	AV-D37
X	VOLUME	R 0672	88-118-104-080	0E	C-RES,S 100K-1/10W J	HCNM	AV-D37
X	VOLUME	R 0672	88-118-104-080	0E	C-RES,S 100K-1/10W J	HRJNM	AV-D37
X	VOLUME	R 0672	88-118-104-080	0E	C-RES,S 100K-1/10W J	HTNM	AV-D37
X	VOLUME	R 0673	88-118-104-080	0E	C-RES,S 100K-1/10W J	HCNM	AV-D37
X	VOLUME	R 0673	88-118-104-080	0E	C-RES,S 100K-1/10W J	HRJNM	AV-D37
X	VOLUME	R 0673	88-118-104-080	0E	C-RES,S 100K-1/10W J	HTNM	AV-D37
X	VOLUME	R 0674	88-118-104-080	0E	C-RES,S 100K-1/10W J	HCNM	AV-D37
X	VOLUME	R 0674	88-118-104-080	0E	C-RES,S 100K-1/10W J	HRJNM	AV-D37
X	VOLUME	R 0674	88-118-104-080	0E	C-RES,S 100K-1/10W J	HTNM	AV-D37

# PARTS LIST

- ! =  $\Delta$  SAFTY PARTS  
 C = Components marked

All components used on this model at the production line are shown in this service manual.

However, please note that not all components will be available as spare parts for after-sales service.

Components marked S and O are designated as spare parts for service and will be stocked at the spare parts centers.

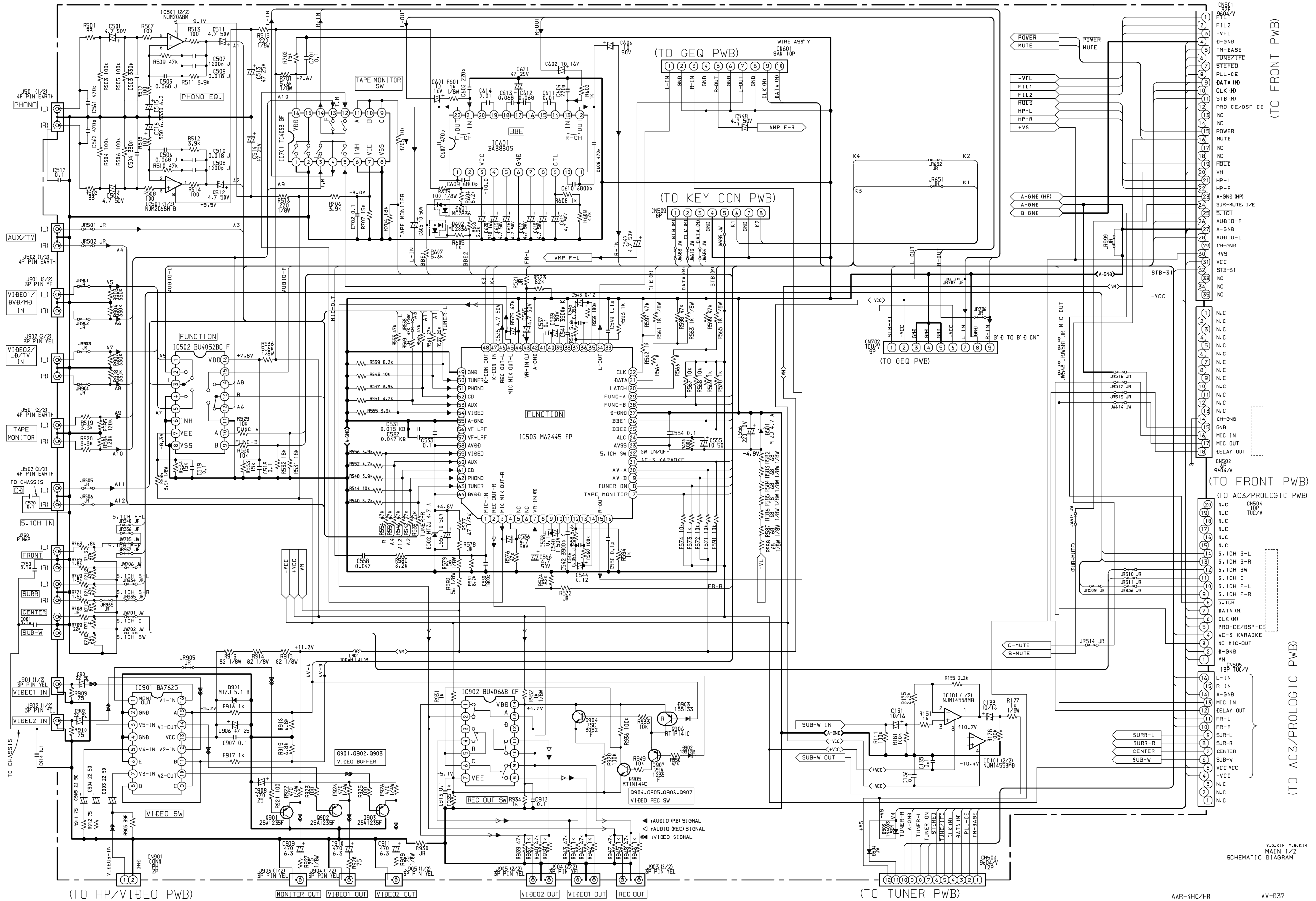
Components marked X and R are not designated as spare parts for after sales service, and will not be stocked at the spare parts centers.

K NO. = Only use japanese.

! C	UNIT NAME	REF NO.	PARTS CODE	K NO.	DESCRIPTION	SUFFIX	MODEL NAME
X	VOLUME	R 0675	88-118-823-080	0E	C-RES,S 82K-1/10W J	HCNM	AV-D37
X	VOLUME	R 0675	88-118-823-080	0E	C-RES,S 82K-1/10W J	HRJNM	AV-D37
X	VOLUME	R 0675	88-118-823-080	0E	C-RES,S 82K-1/10W J	HTNM	AV-D37
X	VOLUME	R 0676	88-118-823-080	0E	C-RES,S 82K-1/10W J	HCNM	AV-D37
X	VOLUME	R 0676	88-118-823-080	0E	C-RES,S 82K-1/10W J	HRJNM	AV-D37
X	VOLUME	R 0676	88-118-823-080	0E	C-RES,S 82K-1/10W J	HTNM	AV-D37
O	VOLUME	S 0601	87-A90-095-080	0E	SW,TACT EVQ11G04M	HCNM	AV-D37
O	VOLUME	S 0601	87-A90-095-080	0E	SW,TACT EVQ11G04M	HRJNM	AV-D37
O	VOLUME	S 0601	87-A90-095-080	0E	SW,TACT EVQ11G04M	HTNM	AV-D37
O	VOLUME	S 0602	87-A90-095-080	0E	SW,TACT EVQ11G04M	HCNM	AV-D37
O	VOLUME	S 0602	87-A90-095-080	0E	SW,TACT EVQ11G04M	HRJNM	AV-D37
O	VOLUME	S 0602	87-A90-095-080	0E	SW,TACT EVQ11G04M	HTNM	AV-D37
O	VOLUME	SW 0601	87-A91-645-010	1A	SW,RTRY EC12E24304NON-CLICK	HCNM	AV-D37
O	VOLUME	SW 0601	87-A91-645-010	1A	SW,RTRY EC12E24304NON-CLICK	HRJNM	AV-D37
O	VOLUME	SW 0601	87-A91-645-010	1A	SW,RTRY EC12E24304NON-CLICK	HTNM	AV-D37
X	VOLUME	W 0101	89-750-164-610	0E	WIRE ASSY, LUG	HCNM	AV-D37
X	VOLUME	W 0101	89-750-164-610	0E	WIRE ASSY, LUG	HRJNM	AV-D37
X	VOLUME	W 0101	89-750-164-610	0E	WIRE ASSY, LUG	HTNM	AV-D37



SCHEMATIC DIAGRAM - 1 (MAIN 1/2)

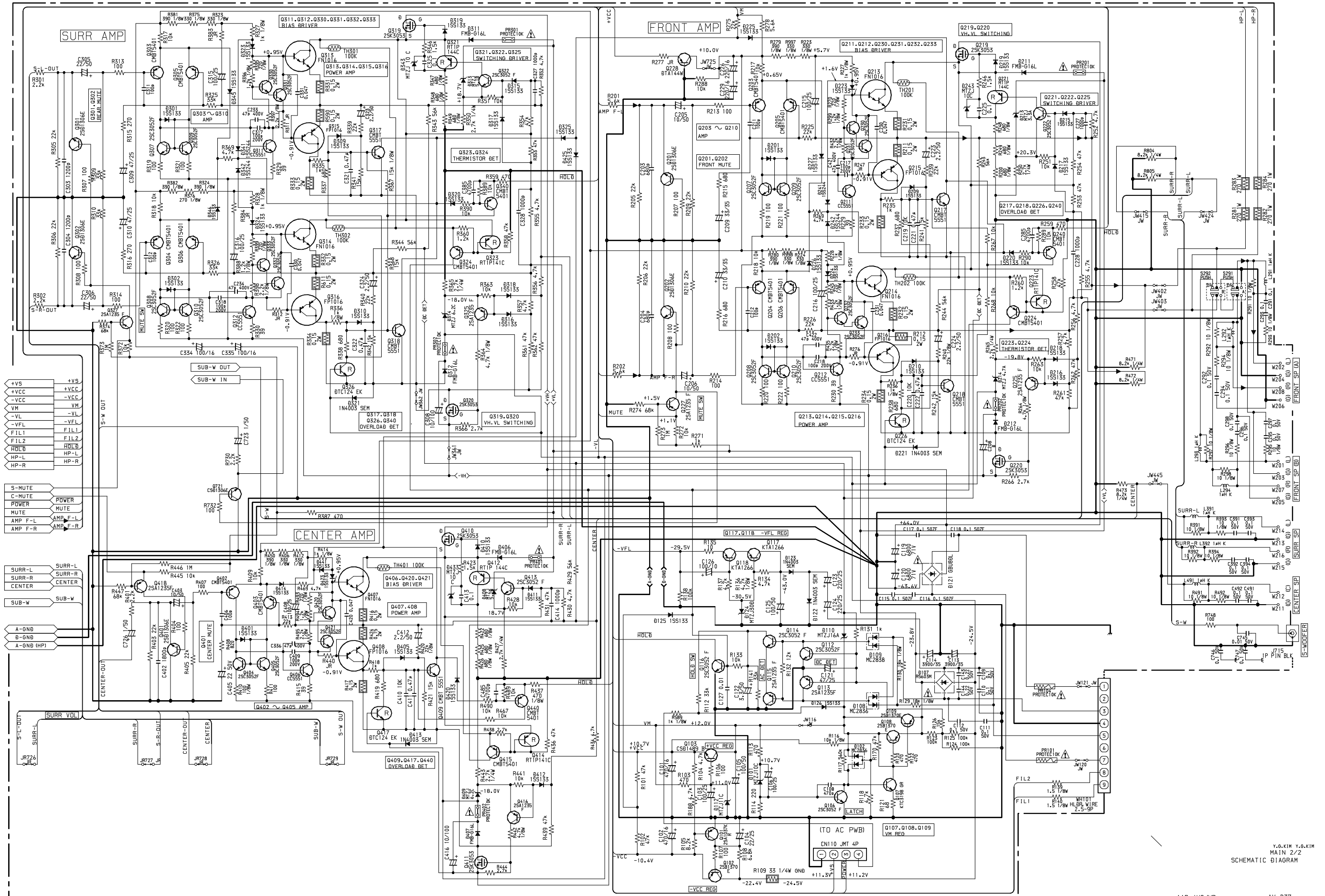


Y.G.KIM Y.G.KIM  
MAIN 1/2  
SCHEMATIC DIAGRAM

AAR-4HC/HR

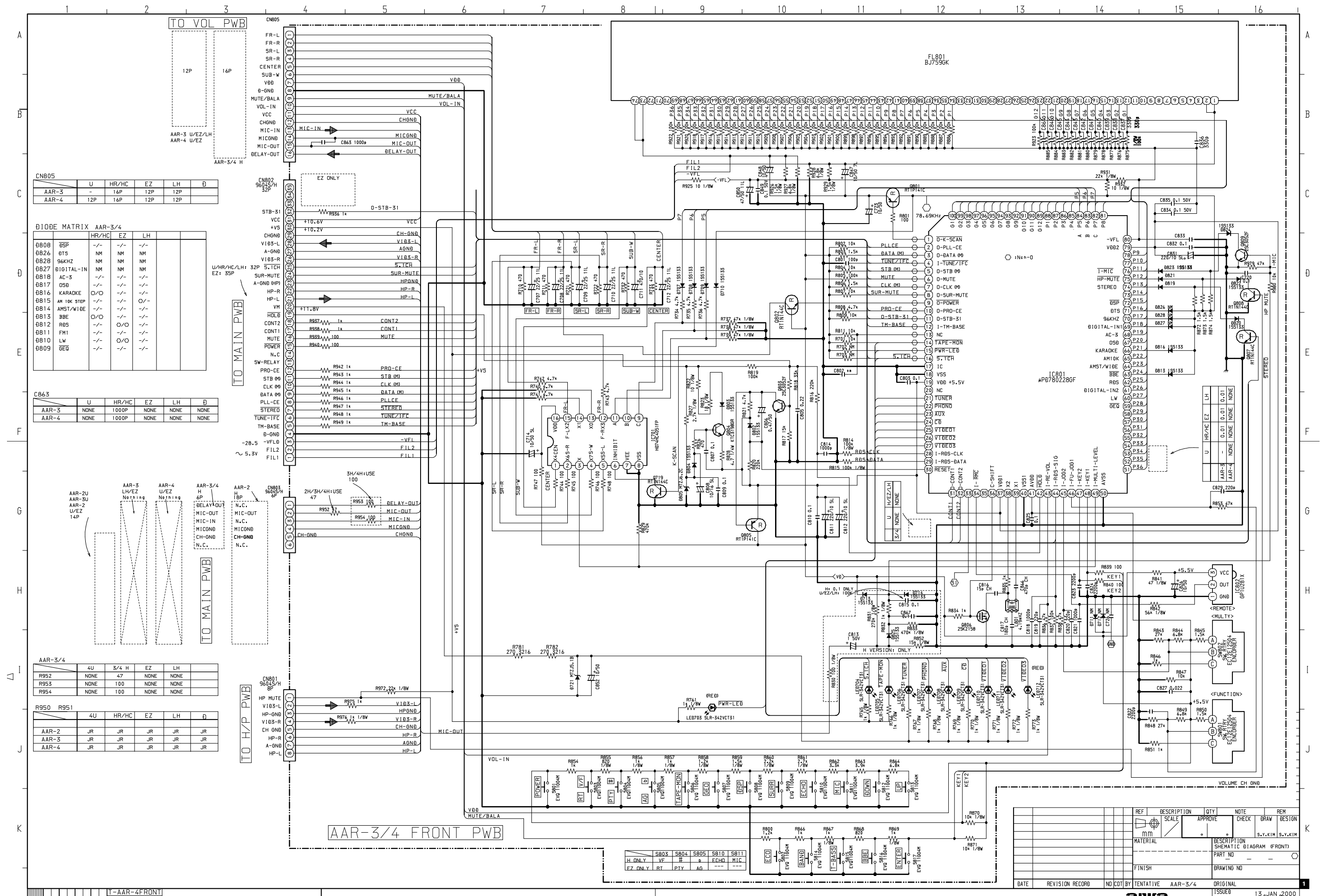
AV-B57  
02 JUN 2000

SCHEMATIC DIAGRAM - 2 (MAIN 2/2)

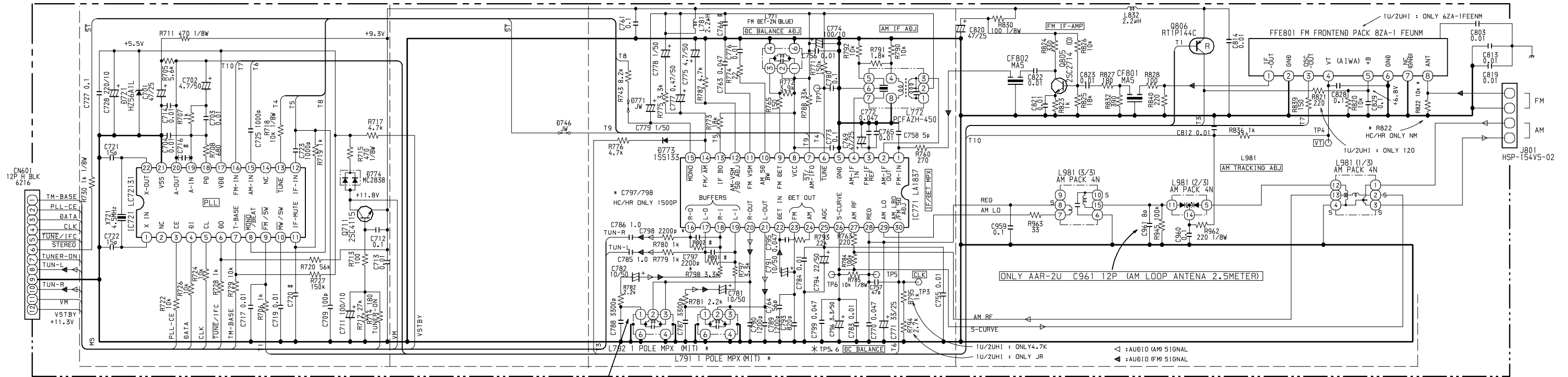


F.6-KIM Y.6-KIM  
MAIN 2/2  
SCHEMATIC DIAGRAM

SCHEMATIC DIAGRAM-3 (FRONT)



SCHEMATIC DIAGRAM - 4 (TUNER)

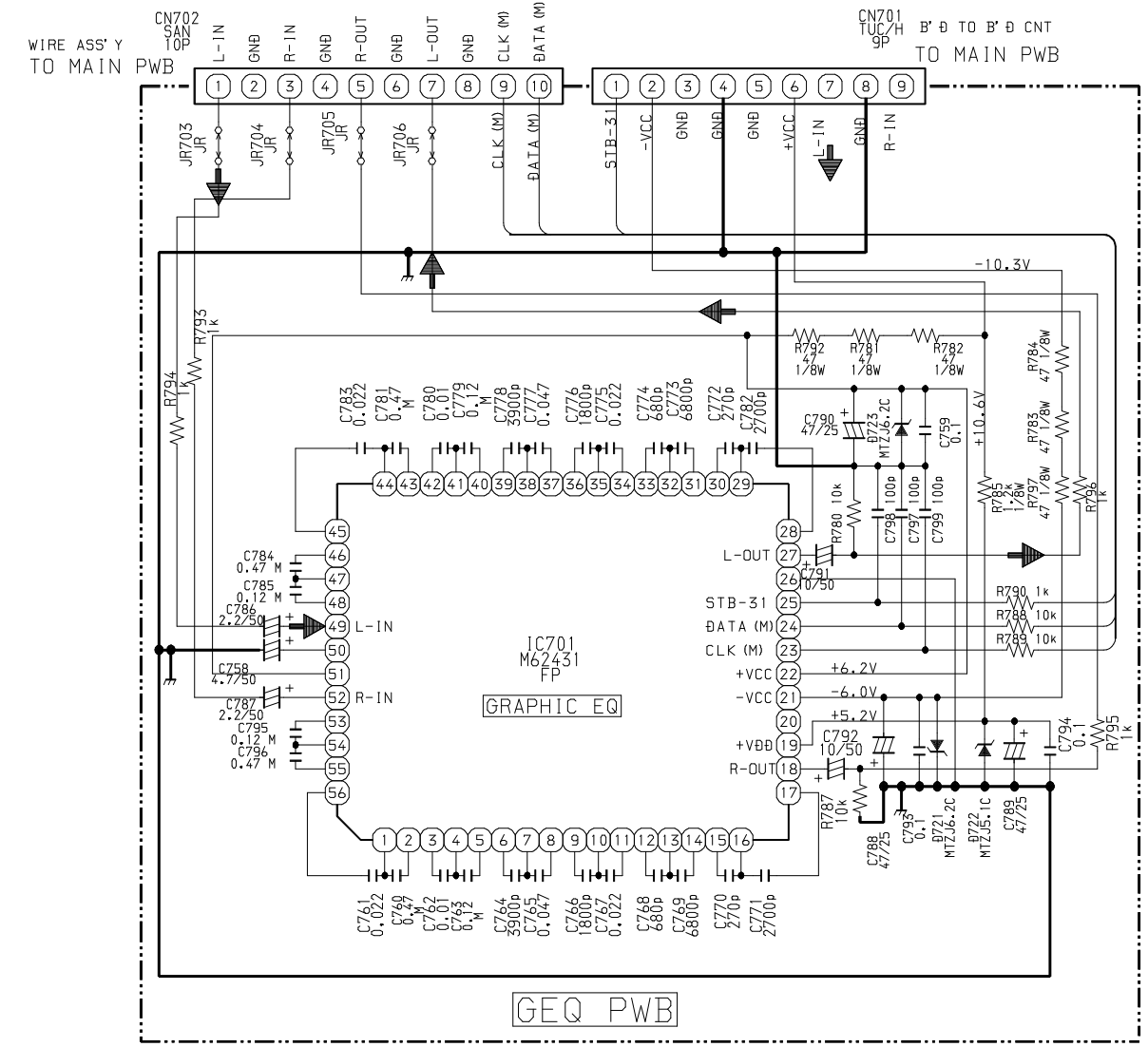
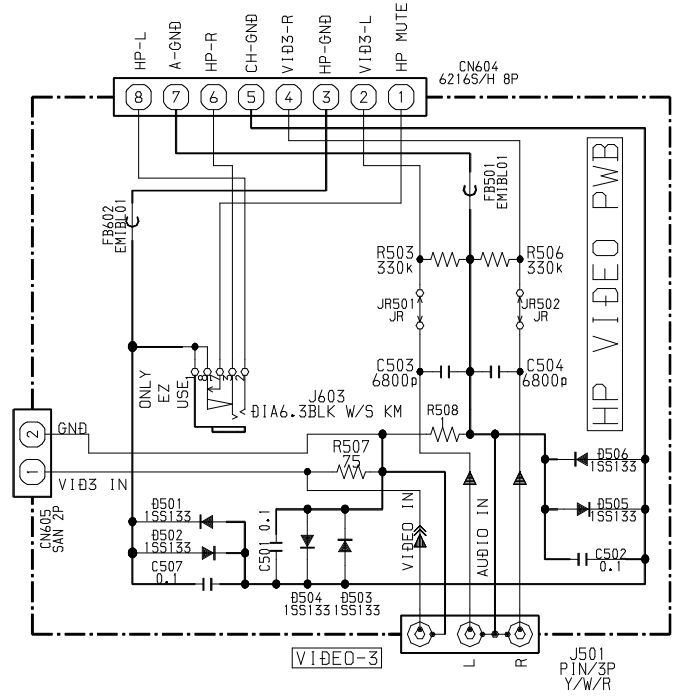
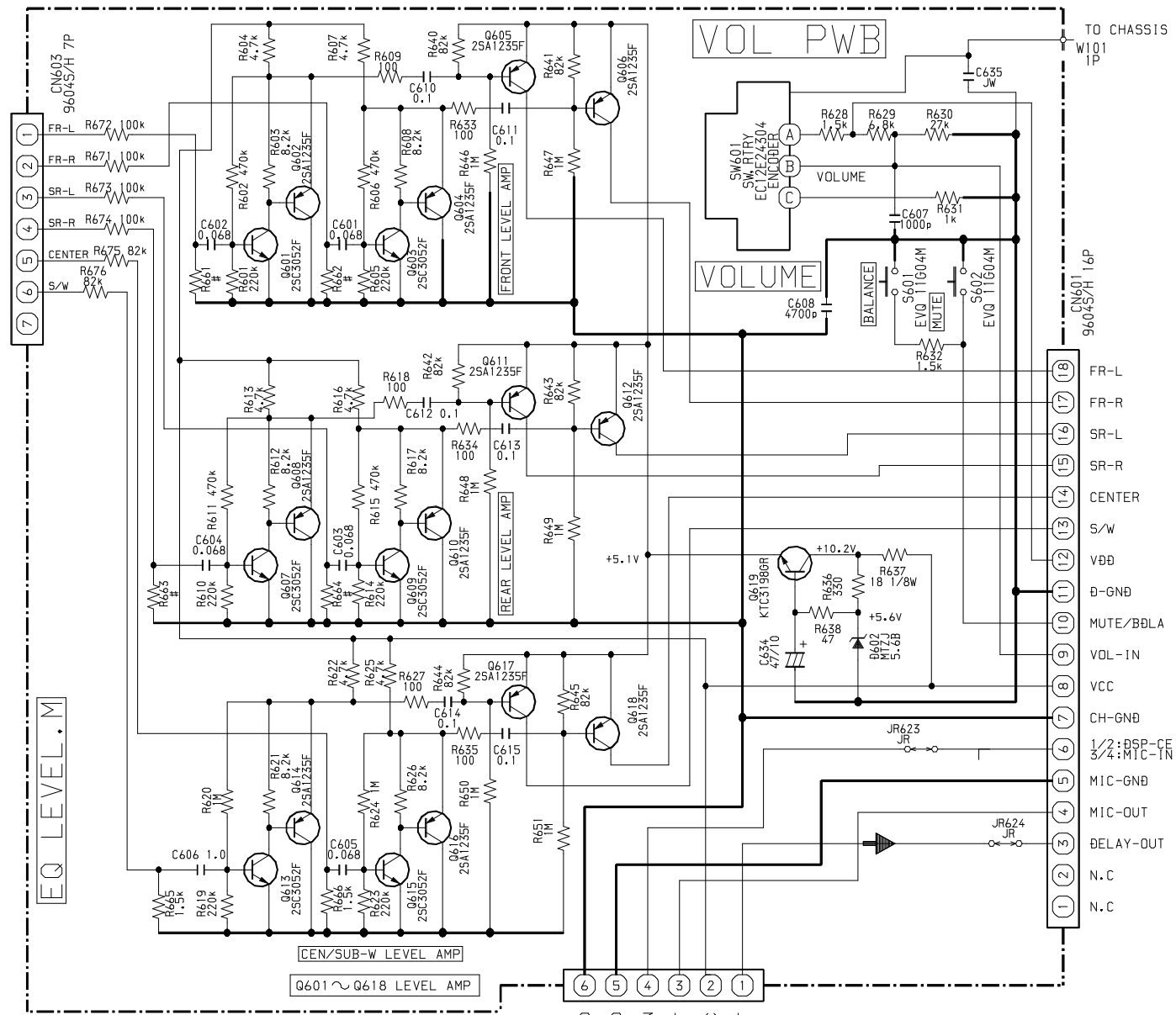


BOLBY MODEL USE L791 792 MPX  
OTHERS USE JR791 792

HC HR (2BAND)  
R822 NOTHING  
C797 798 1500P  
L791 792 1POLE MPX (TOK)

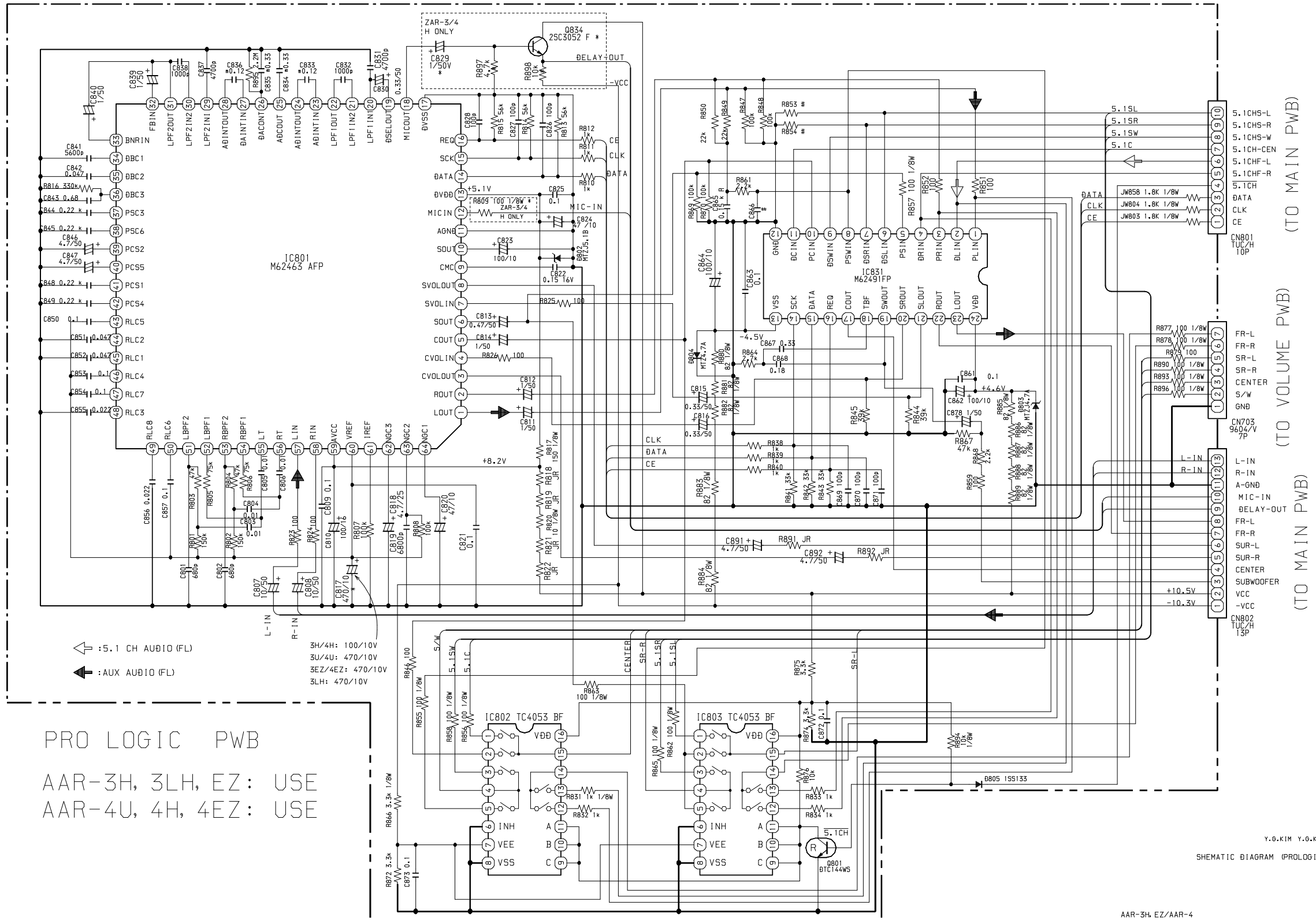
AAR-TUNER-ULH

SCHEMATIC DIAGRAM - 5 (HP VIDEO / GEQ / VOL)



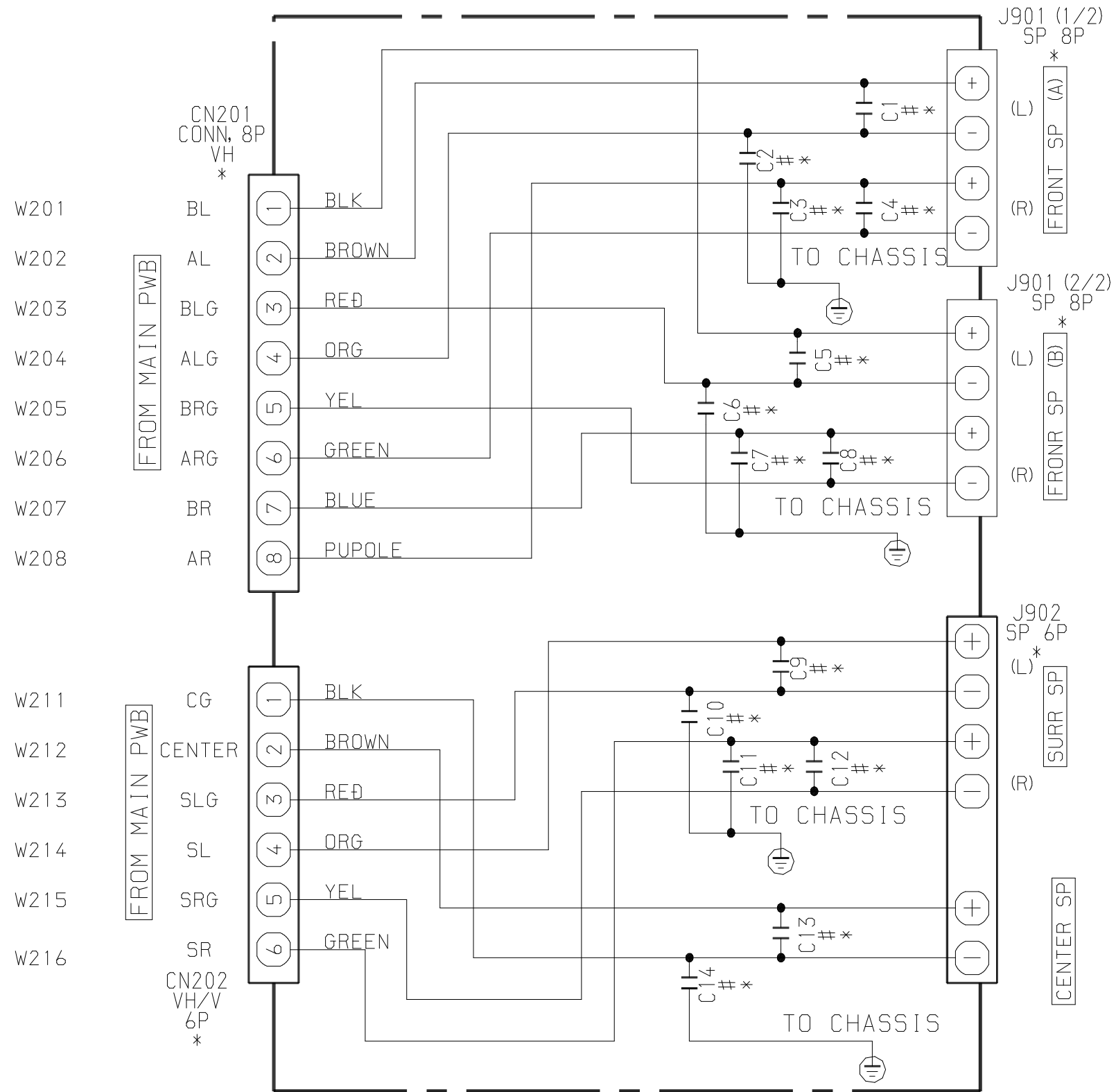
Y.G.KIM Y.G.KIM  
SCHEMATIC DIAGRAM (HPVI03GEQ)

SCHEMATIC DIAGRAM-6 (PROLOGIC)



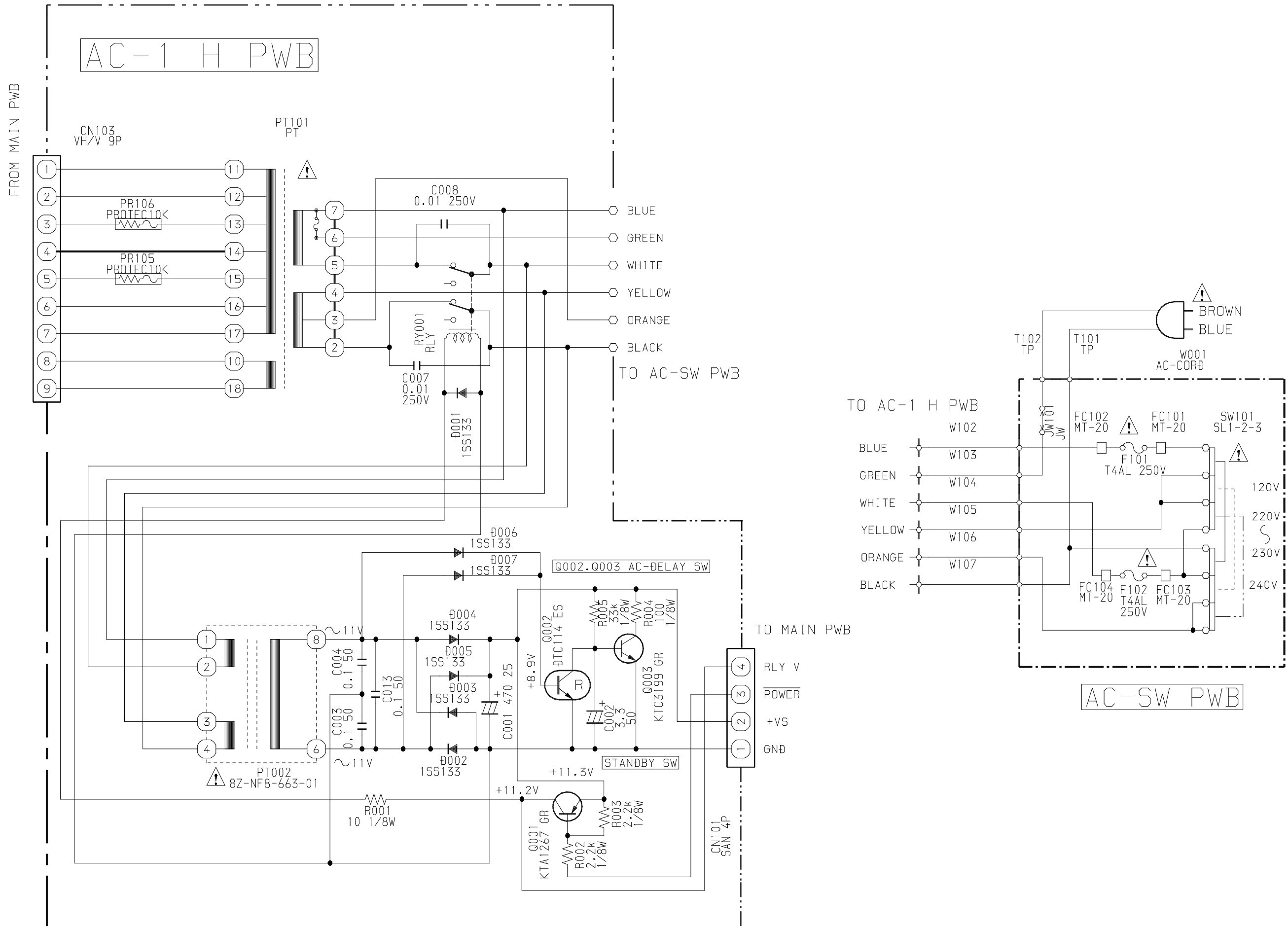
C817	(7) 3EZ	(8) 3H	(9) 3LH	(11) 4EZ	(12) 4H	(13) 4U
C829	470/10	100/10	470/10	470/10	100/10	470/10
Q834		25C3052 F			25C3052 F	
R809		100 1/8W			100 1/8W	
R897		4.7k			4.7k	
R898		10k			10k	

SCHEMATIC DIAGRAM – 7 (SPEAKER)



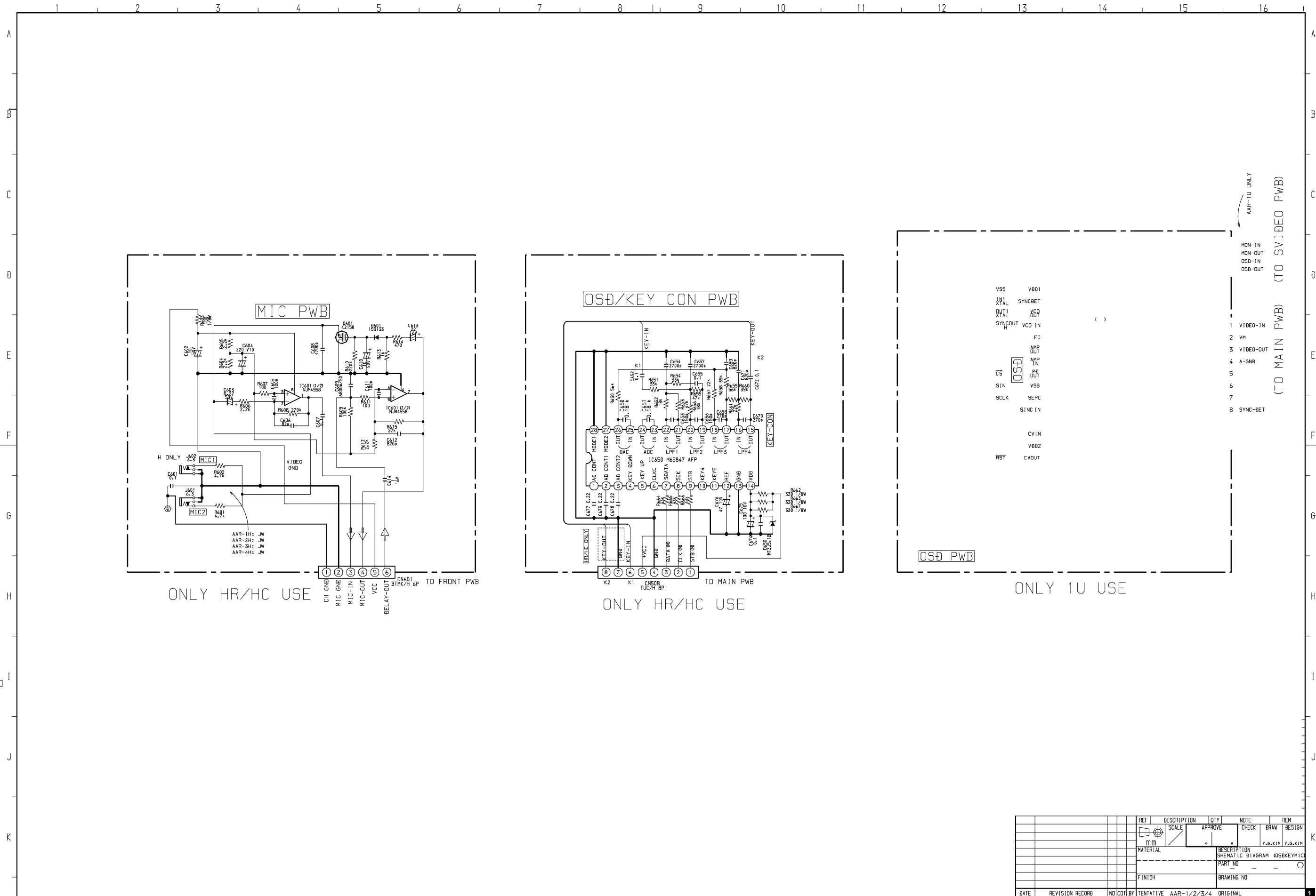
SPKR TERMINAL:	AAR-1	BANANA: U/HC SCREW: EZ	AAR-3	PUSH: U SCREW: LH BANANA: HC
	AAR-2	PUSH: ULO BANANA: U/HC SCREW: EZ/HR	AAR-4	PUSH: U SCREW: EZ BANANA: HC

SCHEMATIC DIAGRAM - 8 (AC)





SCHEMATIC DIAGRAM-9 (MIC/KEY CON/OSD)



1L-AAR-OSDKEYMIC

REF	DESCRIPTION	QTY	NOTE	REM
	SCALE	APPROVE	CHECK	BRW
				DESIGN
MATERIAL		DESCRIPTION		Y.G.KIM
		SCHEMATIC DIAGRAM (OSDKEYMIC)		Y.G.KIM
		PART NO		○
FINISH		DRAWING NO		
BATE	REVISION RECORD	NO	COT	BY
TENTATIVE		AAR-1/2/3/4		ORIGINAL
ISSUED		25 JAN 2000		3



**アイワ株式会社** 〒110-8710 東京都台東区池之端1-2-11 ☎03(3827)3111 (代表)  
**AIWA CO.,LTD.** 2-11, IKENOHATA 1-CHOME, TAITO-KU, TOKYO 110, JAPAN TEL:03 (3827) 3111