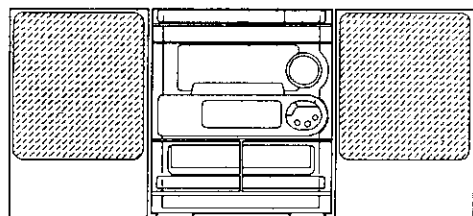


aiwa



NSX-A30 NSX-A31 NSX-S33



COMPACT DISC STEREO
CASSETTE RECEIVER

- BASIC TAPE MECHANISM : 6ZM-3 PR1NM<U>
2ZM-3MK2 PR4NM<LH>
- BASIC CD MECHANISM : 4ZG-1 Z1DNM

• TYPE : LH, U

SYSTEM	SPEAKER	CD - CASSEIVER
NSX-A30 (TYPE : U)	SX - NA34	CX-NA30
NSX-A31 (TYPE : U)	SX - FNA51	CX-NA31
NSX-S33 (TYPE : LH)	SX - NS33	CX-NS33

If requiring information about the CD mechanism, see Service Manual of 4ZG-1,
S/M Code No. 09-974-187-50T.

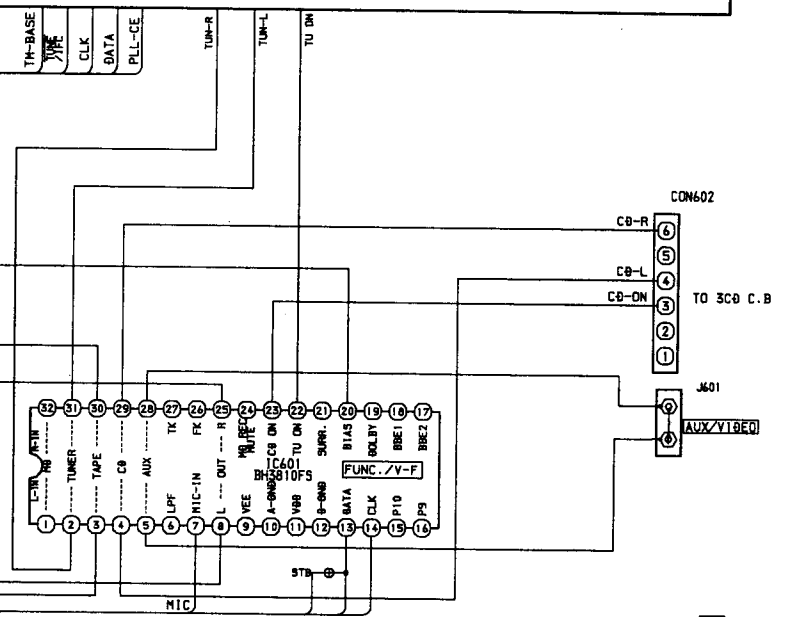
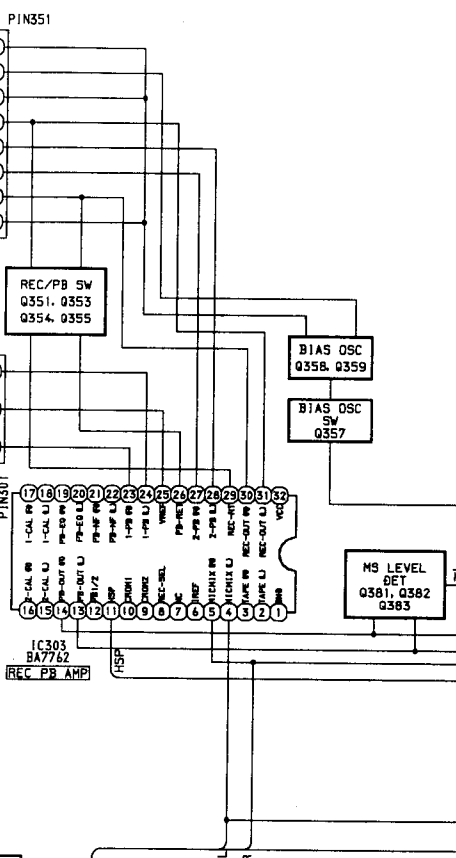
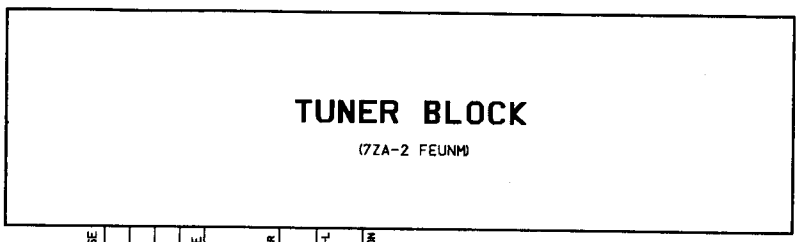
MANUAL
SERVICE

AD-2
C. B

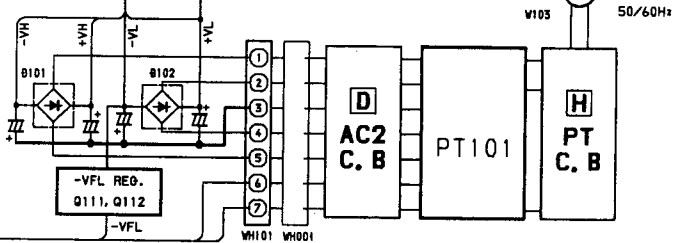
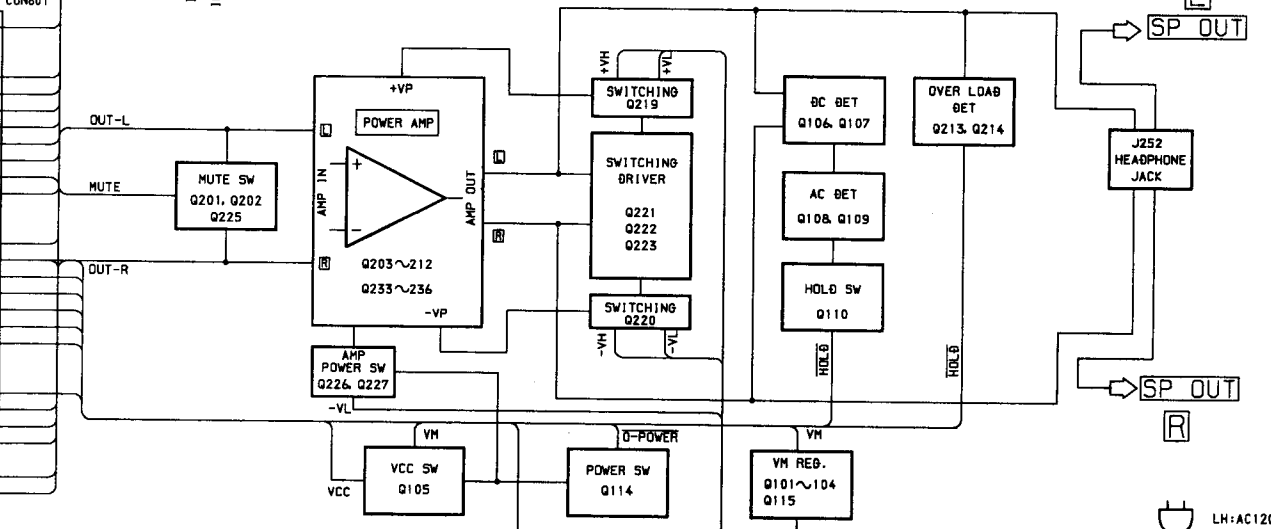
BECK 1

AD-1
C. B

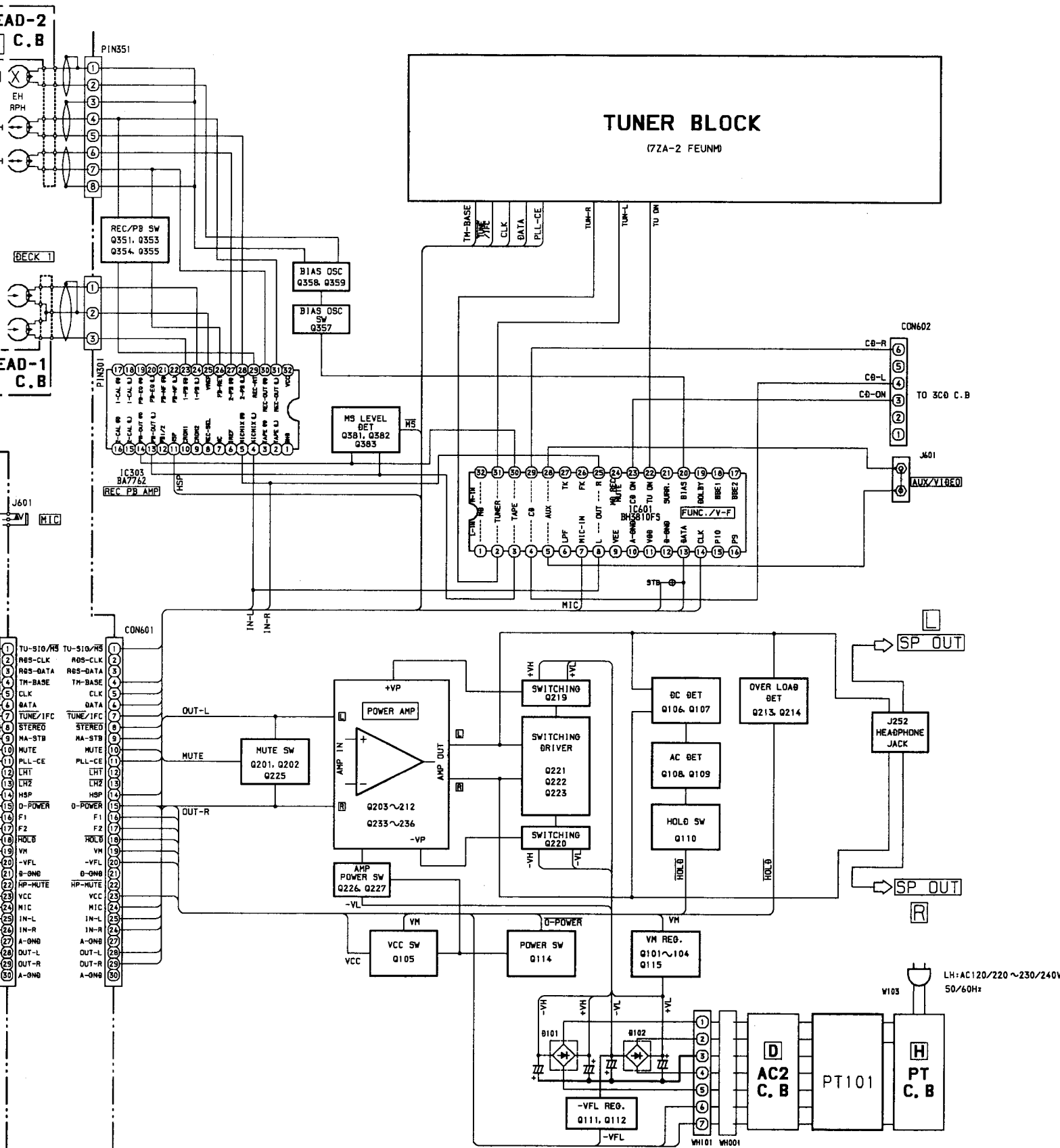
J601
MIC



- TU-S10/MS
- RBS-CLK
- RBS-DATA
- TH-BASE
- CLK
- BATA
- TUNE/JFC
- STEREO
- MA-STB
- MUTE
- PLL-CE
- LRT
- LR2
- HSP
- D-POWER
- F1
- F2
- HOLD
- VH
- VFL
- B-ONB
- HP-MUTE
- VCC
- MIC
- IN-L
- IN-R
- A-ONB
- OUT-L
- OUT-R
- A-ONB

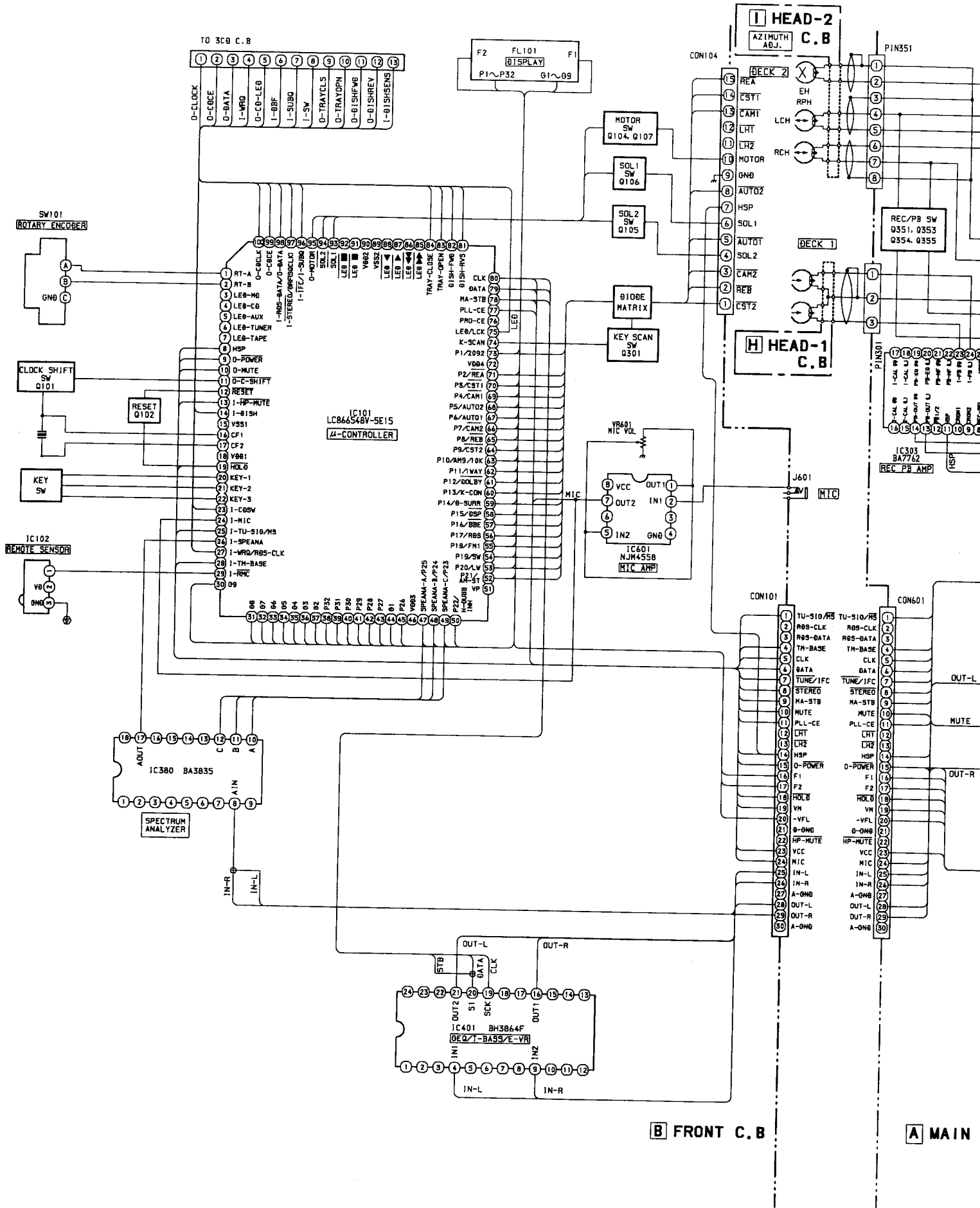


A MAIN C. B

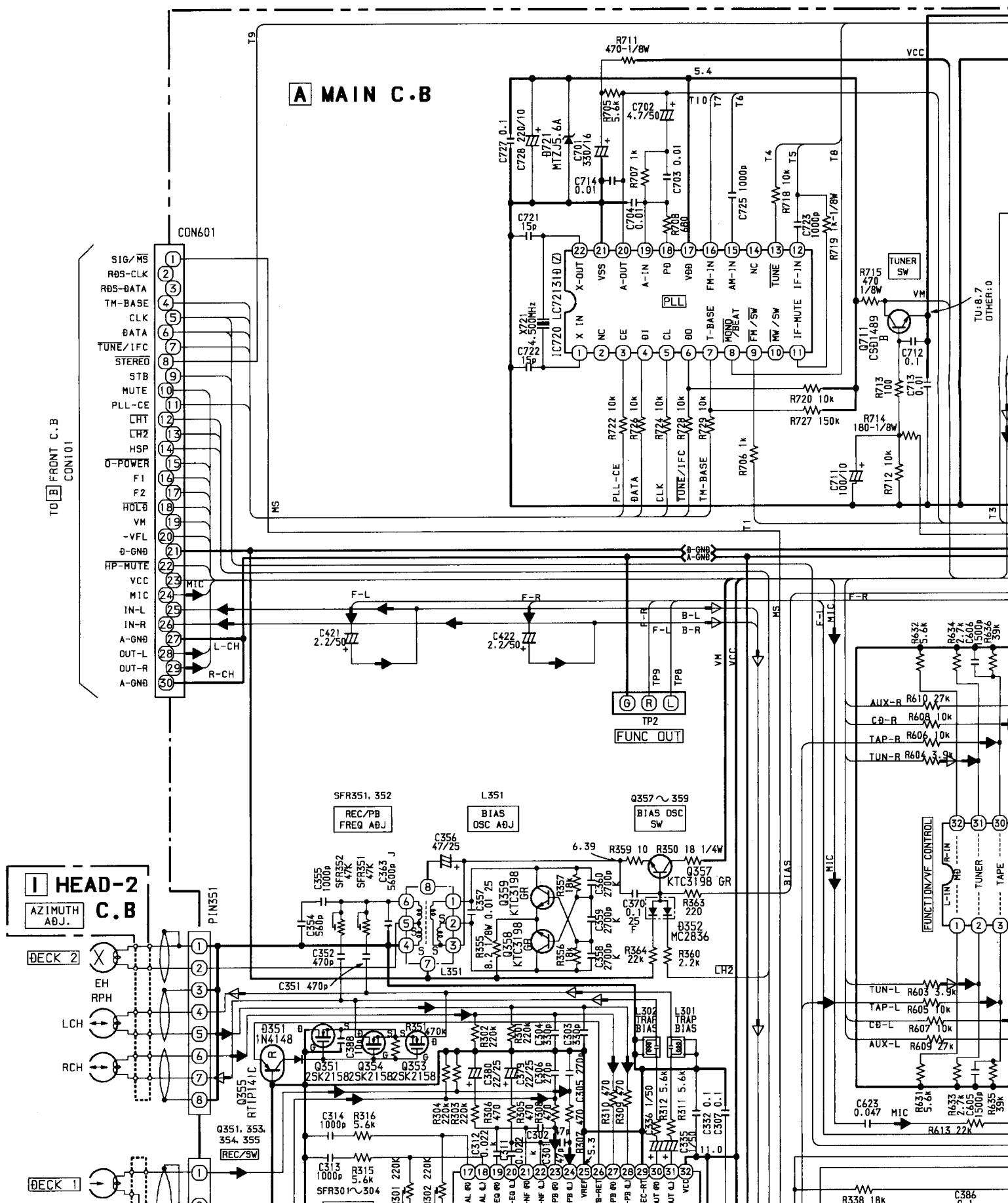


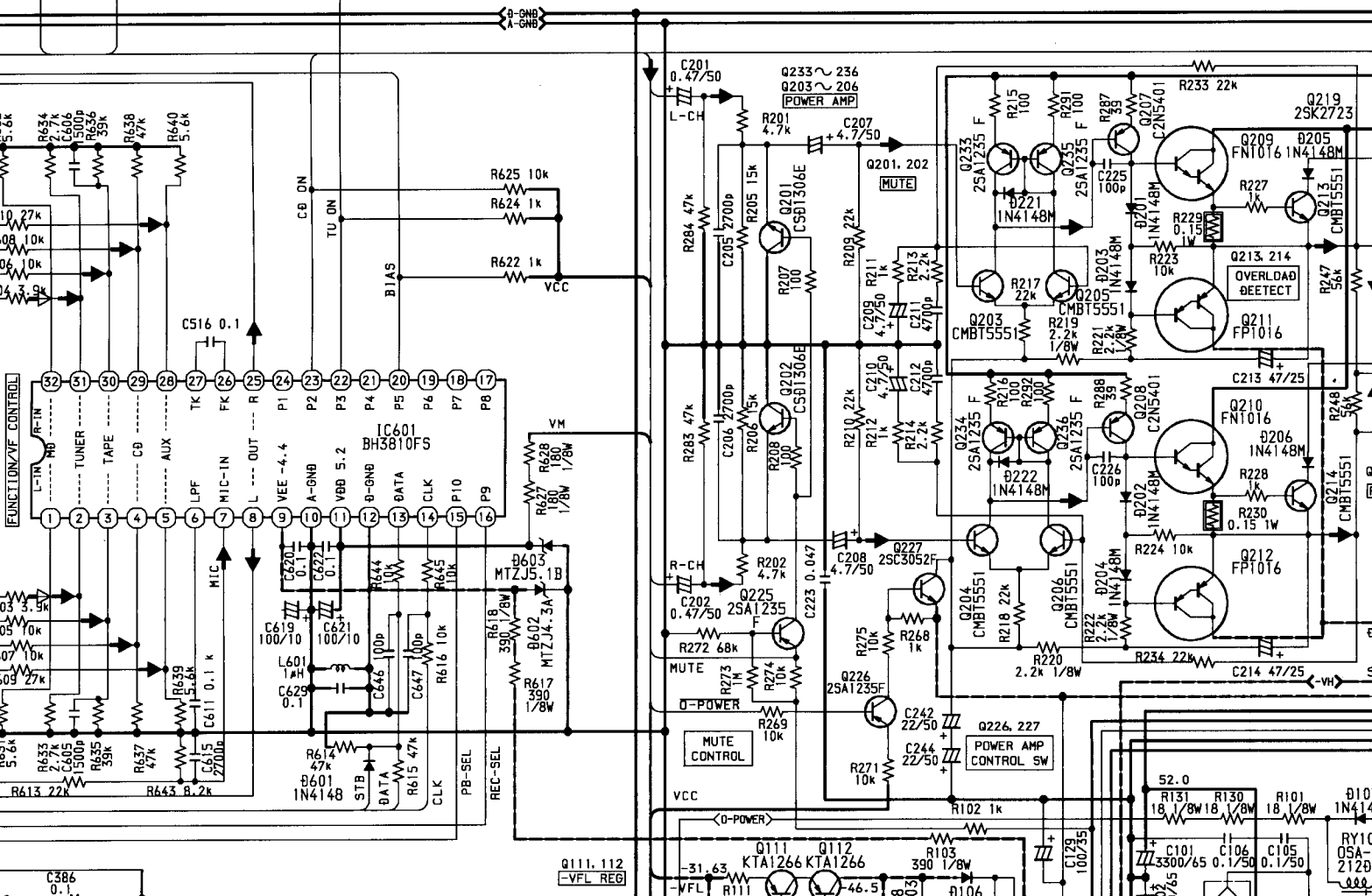
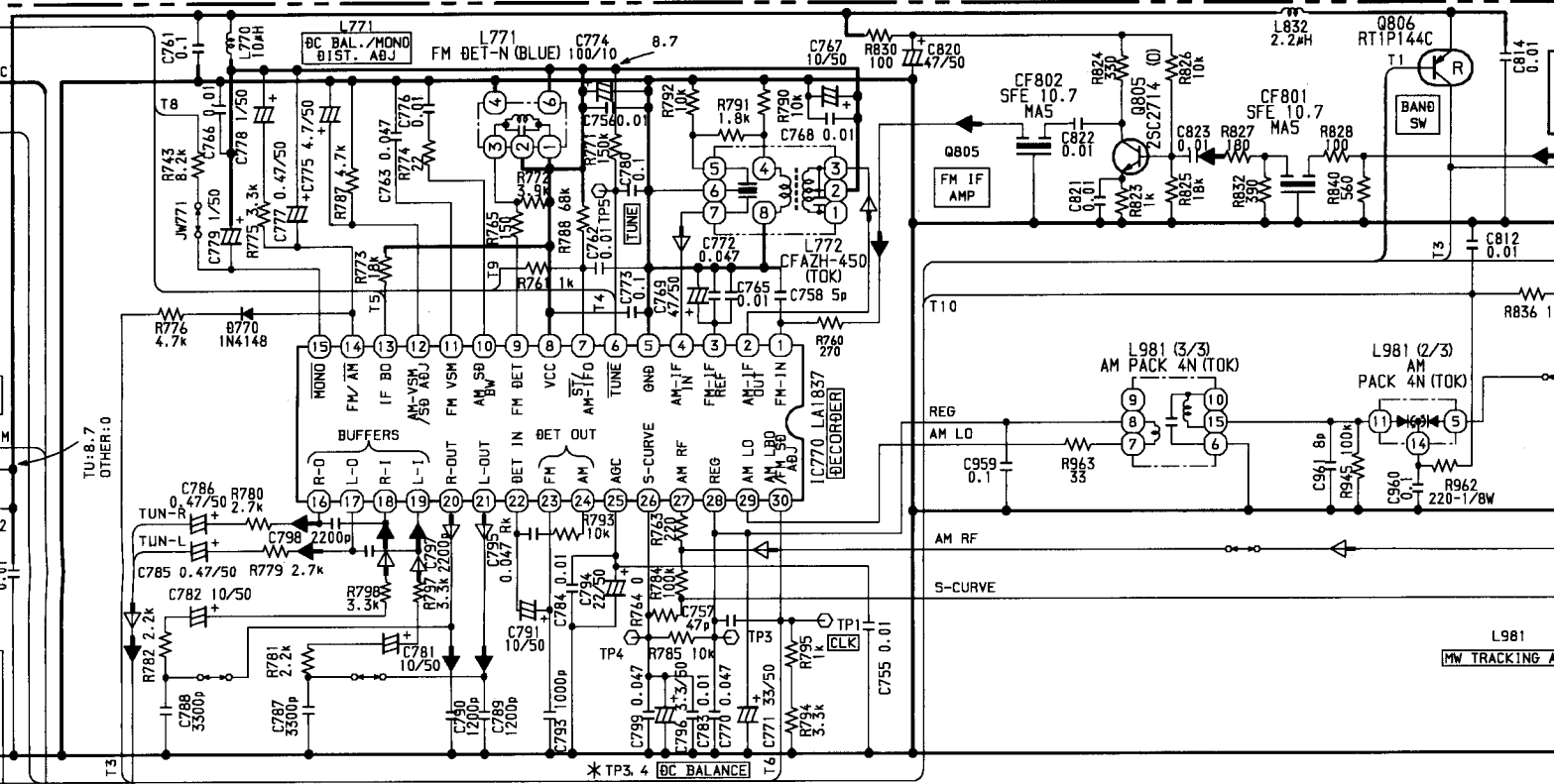
A MAIN C.B.

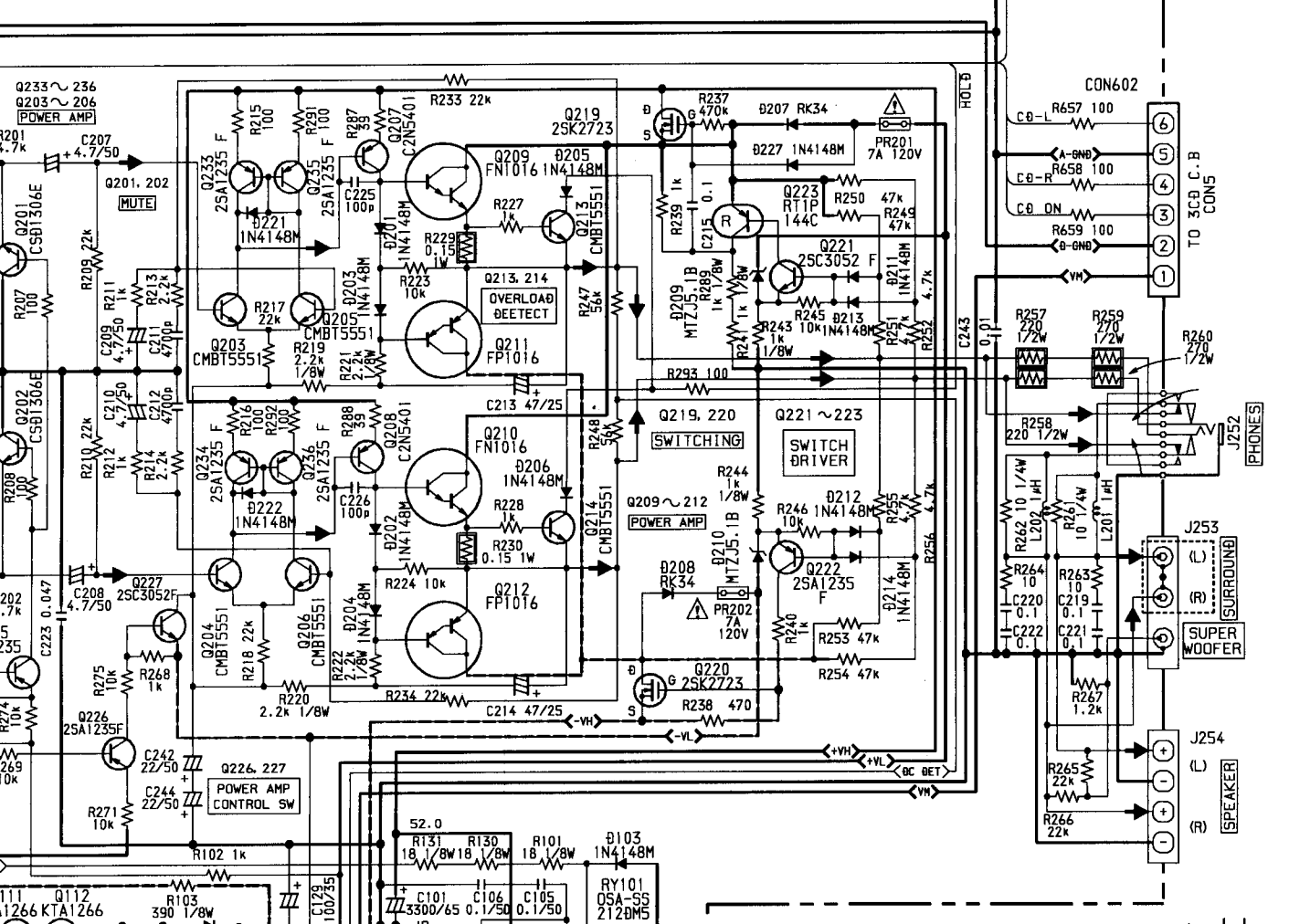
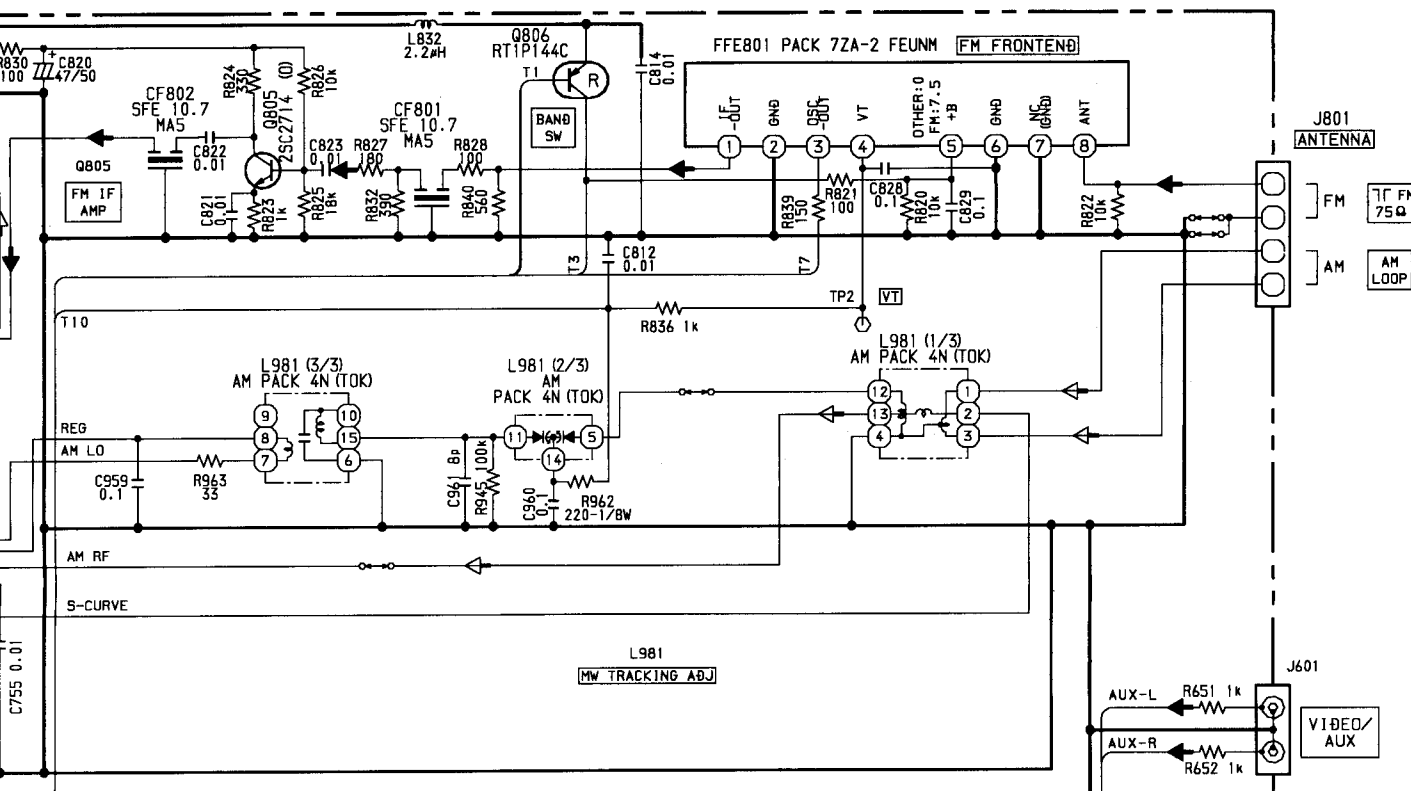
BLOCK DIAGRAM - 2 (MAIN: S33<LH>)

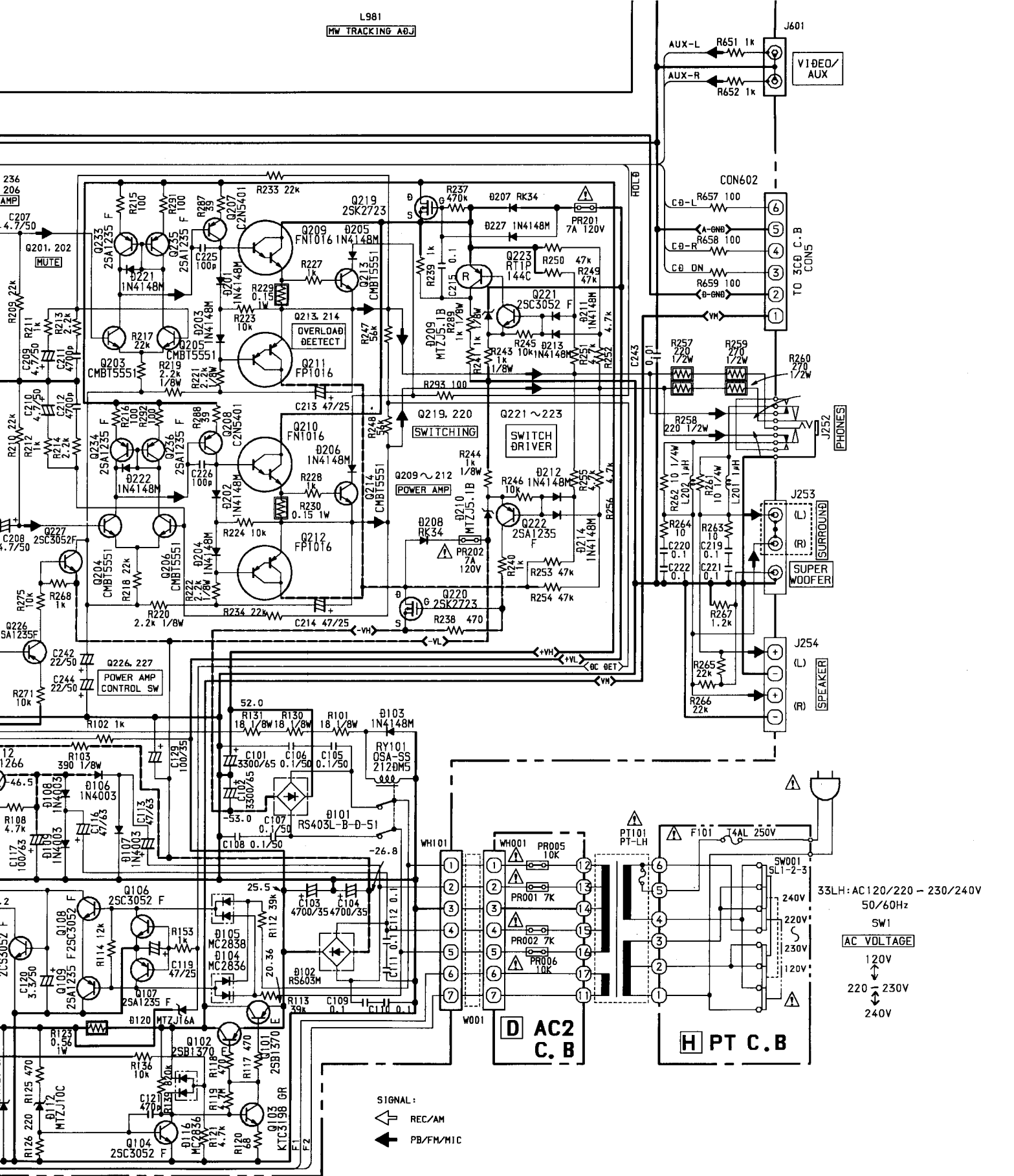


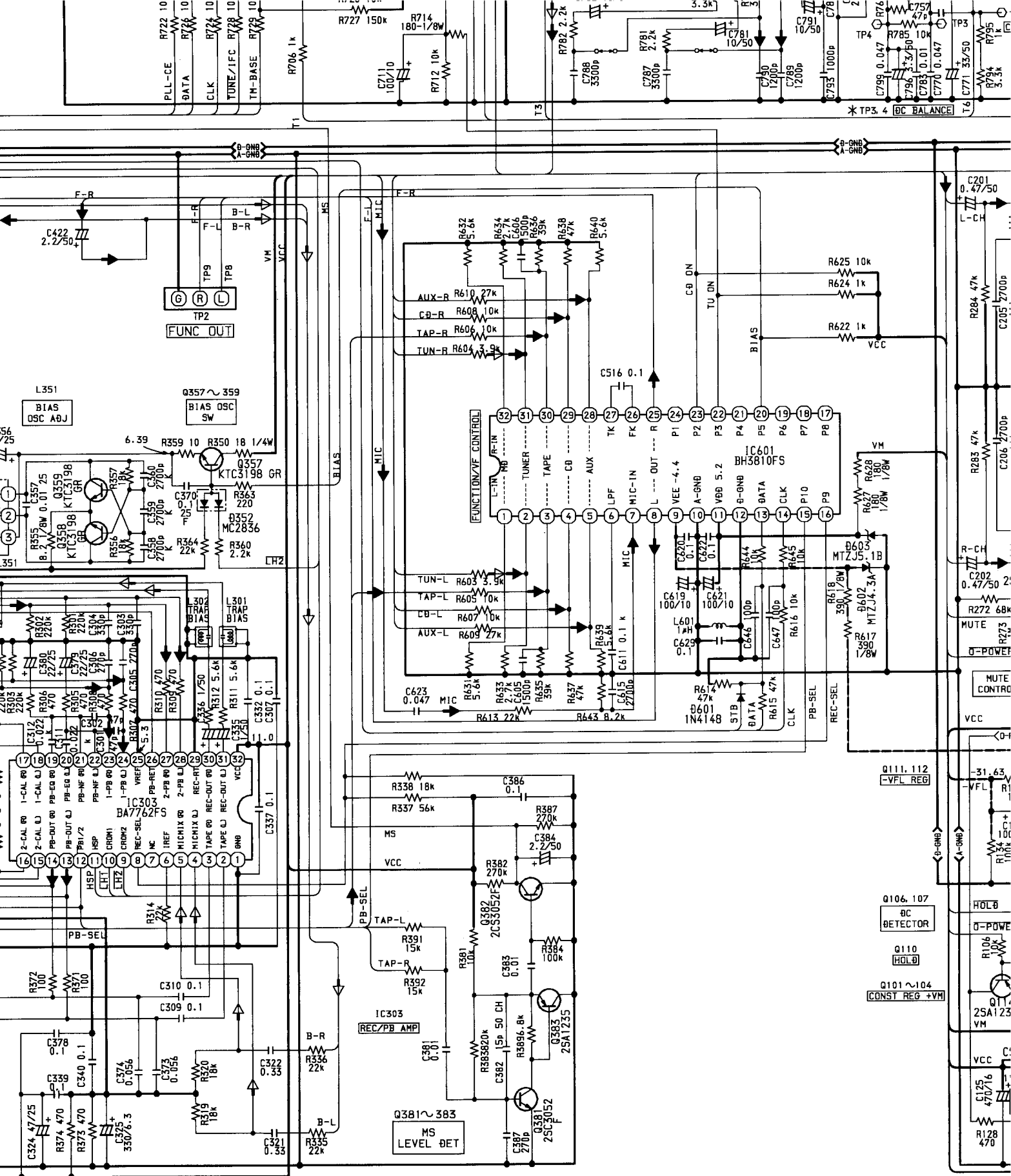
SCHEMATIC DIAGRAM - 2 (MAIN: S33 <LH>)

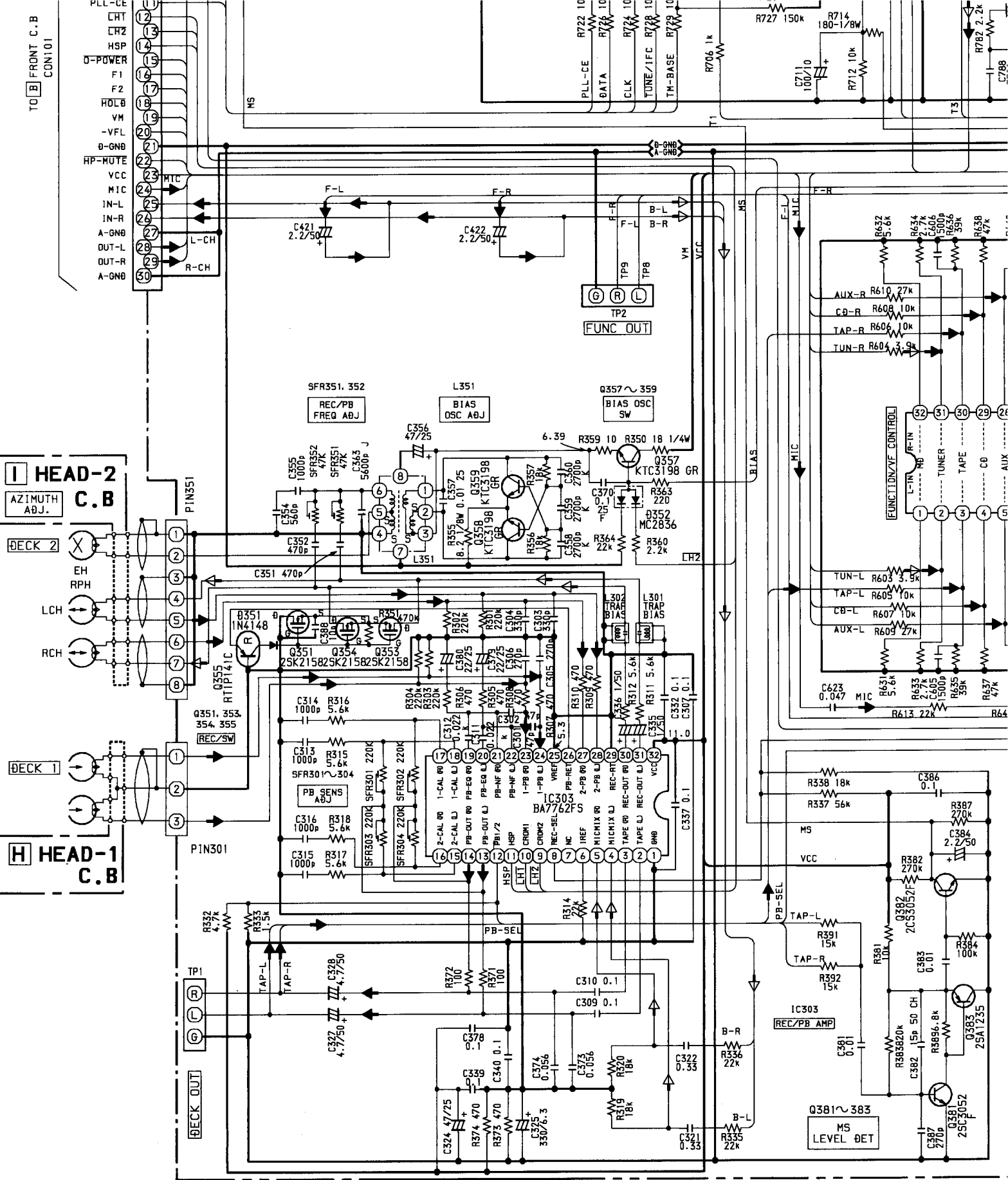




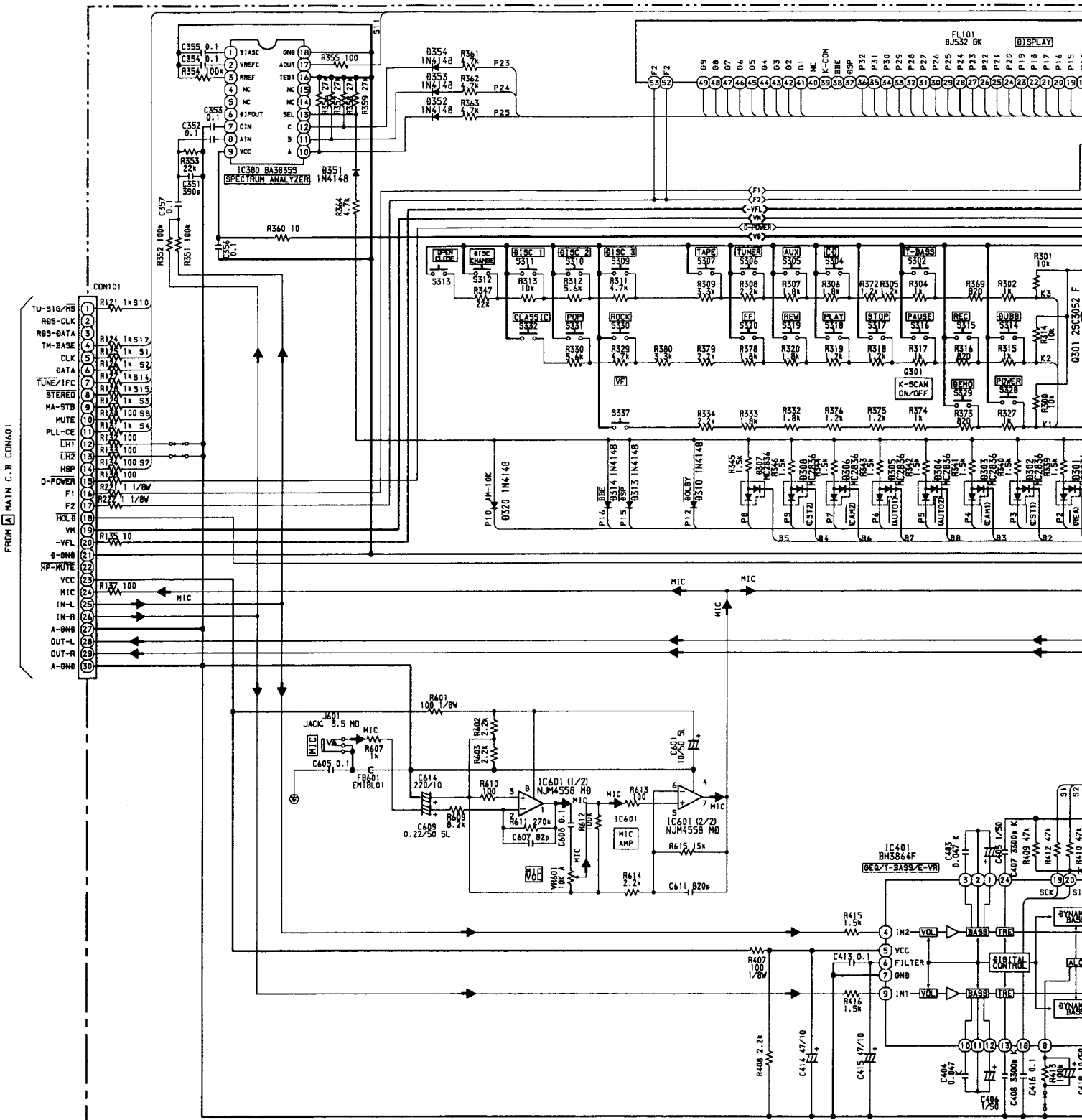








SCHEMATIC DIAGRAM - 6 (FRONT: S33 <LH>)



B FRONT C.B

