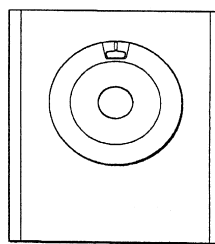


[HE-C701]



[TS-W701]

# SERVICE MANUAL

HOME THEATER SURROUND  
SYSTEM

SYSTEM	CENTER UNIT	SUBWOOFER
HE-701	HE-C701	TS-W701

This Service Manual does not include "IC BLOCK DIAGRAM".  
These items will be issued in the next Supplement.

## SPECIFICATIONS

### Control center unit [HE-C701]

Power output: Front  
18 W + 18W (1kHz, 6 ohms, 10%)  
Rear (Surround)  
18 W + 18W (1kHz, 6 ohms, 10%)  
Center  
18 W (1kHz, 6 ohms, 10%)  
Subwoofer  
70 W (1kHz, 6 ohms, 10%)

Total harmonic distortion: 0.3% (8 W, 1 kHz, 6 ohms, Front)

Inputs: INPUT 1/2  
AUDIO (L/R) IN: 1 V (47 kohms)  
VIDEO IN: 1 Vp-p(75 ohms)  
DIGITAL IN (COAXIAL/OPTICAL):  
accept linear PCM (32 kHz, 44.1 kHz  
and 48 kHz) signals and bit stream of  
Dolby Digital Surround

Outputs: VIDEO OUT (MONITOR): 1 Vp-p  
(75 ohms)  
SURROUND SPEAKERS: 6 ohms  
THROUGH OUT (INPUT 2)

Muting: -20 dB

Front speaker: Full-range 88 mm x 2, cone type,  
6 ohms

Center speaker: Full-range 88 mm x 1, cone type,  
6 ohms

Dimensions (W x H x D): 485 x 129 x 238 mm


Weight: 4.2 kg

### Surround speaker system

Speakers: Full-range: 88 mm x 2, cone type  
Impedance: 6 ohms  
Dimensions (W x H x D): 120 x 109 x 134 mm  
Weight: 0.7 kg

### Powered subwoofer [TS-W701]

Speakers: 200 mm cone type  
Impedance: 6 ohms  
Power requirements: AC 120 V, 60 Hz  
Power consumption: 110 W  
Dimensions (W x H x D): 295 x 342 x 449 mm  
Weight: 12.7 kg

- Design and specifications are subject to change without notice.
- Dolby noise reduction manufactured under license from Dolby Laboratories Licensing Corporation.
- "DOLBY", and the double-D symbol  are trademarks of Dolby Laboratories Licensing Corporation.

## ACCESSORIES LIST

DESCRIPTIONで判断できない物は "REFERENCE NAME LIST" を参照してください。  
If can't understand for Description please kindly refer to "REFERENCE NAME LIST".

REF. NO	PART NO.	KANRI NO.	DESCRIPTION
1	8A-YP1-901-010		IB, H (EC-H) FO
2	8A-YP1-611-010		RC UNIT, RC-AAP01
3	87-050-103-010		CORD, PIN 1PY1.5M
4	87-B30-320-010		CORD, OPT DAIP-1N 1.5M
5	8A-YP1-614-010		CORD, 3PKR SURR2P L
6	8A-YP8-673-010		CORD ASSY, DIN 6P
7	8A-YP8-674-010		CORD ASSY, DIN 8P
8	8A-YP8-675-010		CORD ASSY, 13P
9	8A-YP1-616-010		CORD, SPKR SURR2P S
10	8A-YP1-234-010		FOOT, RUBBER REAR N
11	8A-YP1-233-010		HLDR, FOOT STEEL N

# ELECTRICAL MAIN PARTS LIST [HE-C701]

DESCRIPTIONで判断できない物は "REFERENCE NAME LIST" を参照してください。  
 If can't understand for Description please kindly refer to "REFERENCE NAME LIST".

REF. NO	PART NO.	KANRI NO.	DESCRIPTION	REF. NO	PART NO.	KANRI NO.	DESCRIPTION
IC				C306	87-010-401-080		CAP, ELECT 1-50V
	87-A20-870-010	IC,GP1F37R		C307	87-012-368-080		C-CAP,S 0.1-50 F
	87-002-298-080	IC,TC74HC00AF		C308	87-010-155-080		CAP, CHIP S 12P
	87-020-903-010	IC,NJM7805FA		C309	87-010-155-080		CAP, CHIP S 12P
	87-020-784-080	IC,TC4053BF		C310	87-010-156-080		C-CAP,S 15P-50 SL
	87-017-022-080	IC,NJM2068M-D(T1)		C311	87-012-368-080		C-CAP,S 0.1-50 F
	87-A21-202-040	IC,M62445AFP		C312	87-010-401-080		CAP, ELECT 1-50V
	87-001-604-080	C-IC,TC74HCU04M		C313	87-012-368-080		C-CAP,S 0.1-50 F
	87-A20-820-010	IC,BA7625		C314	87-012-368-080		C-CAP,S 0.1-50 F
	87-AR4-687-040	C-IC,LC74763M-9670		C315	87-010-404-080		CAP, ELECT 4.7-50V
	87-A20-8240100	IC,CS4226		C316	87-012-368-080		C-CAP,S 0.1-50 F
	87-A20-823-010	IC,YSS248		C317	87-010-374-080		CAP, ELECT 47-10V
	87-A21-103-040	IC,MM1454XFBE		C318	87-010-158-080		C-CAP,S 22P-50 SL
	87-A20-715-010	IC,M62439SP		C319	87-010-157-080		C-CAP,S 18P-50 SL
	8A-YP1-615-110	C-IC,LC875132A		C320	87-012-368-080		C-CAP,S 0.1-50 F
	87-A91-074-010	IC,NJL68H380		C321	87-012-368-080		C-CAP,S 0.1-50 F
TRANSISTOR				C322	87-012-368-080		C-CAP,S 0.1-50 F
	89-110-372-080	TR,2SA1037R(140MHZ 200MW)		C323	87-012-368-080		C-CAP,S 0.1-50 F
	87-A30-076-080	C-TR,2SC3052F		C324	87-012-368-080		C-CAP,S 0.1-50 F
	87-026-608-080	C-TR,DTC123JK		C325	87-012-368-080		C-CAP,S 0.1-50 F
	87-026-444-080	C-TR,DTA123EK		C326	87-010-404-080		CAP, ELECT 4.7-50V
	87-A30-087-080	C-TR,2SK2158		C327	87-012-368-080		C-CAP,S 0.1-50 F
	87-A30-075-080	C-TR,2SA1235F		C328	87-010-401-080		CAP, ELECT 1-50V
	87-A30-073-080	C-TR,RT1N141C		C329	87-012-368-080		C-CAP,S 0.1-50 F
				C330	87-010-374-080		CAP, ELECT 47-10V
DIODE				C332	87-010-384-080		CAP, ELECT 100-25V
	87-A40-438-080	ZENER,MTZJ4.7A		C333	87-012-368-080		C-CAP,S 0.1-50 F
	87-070-136-080	ZENER,MTZJ5.1B		C334	87-012-368-080		C-CAP,S 0.1-50 F
	87-A40-235-080	ZENER,MTZJ9.1C		C335	87-010-263-080		CAP, ELECT 100-10V
	87-020-465-080	DIODE,1SS133 (110MA)		C338	87-010-263-080		CAP, ELECT 100-10V
	87-A40-002-080	ZENER,MTZJ5.1C		C900	87-018-128-080		CAP,TC-U 560P-50 KB
	87-A40-291-080	DIODE,1N4148M(CPT)		C901	87-018-128-080		CAP,TC-U 560P-50 KB
	87-A40-348-080	ZENER,MTZJ3.3A		CN8	87-A60-083-010		CONN,04P H 9604S-04F
	87-A40-347-080	ZENER,MTZJ2.2B		CN9	87-A60-080-010		CONN,07P H 9604S-07F
	87-A40-344-080	ZENER,MTZJ6.2C		CN10	87-A60-083-010		CONN,04P H 9604S-04F
	87-A40-349-080	ZENER,MTZJ7.5C		CN11	87-A60-080-010		CONN,07P H 9604S-07F
REAR-TOP C.B				CN101	87-099-186-010		CONN,6P EH V WHT
C9	87-010-404-080	CAP, ELECT 4.7-50V		CN103	87-A60-083-010		CONN,04P H 9604S-04F
C10	87-010-404-080	CAP, ELECT 4.7-50V		CN104	87-A60-080-010		CONN,07P H 9604S-07F
C11	87-012-368-080	C-CAP,S 0.1-50 F		CN106	87-A60-083-010		CONN,04P H 9604S-04F
C12	87-010-401-080	CAP, ELECT 1-50V		CN301	8A-YP1-632-010		CONN ASSY,2P SCNEHR SR
C13	87-010-185-080	C-CAP,S 3900P-50 B		FB301	87-008-372-080		EMIBL01/RN1
C16	87-010-404-080	CAP, ELECT 4.7-50V		FB302	87-008-372-080		EMIBL01/RN1
C17	87-012-368-080	C-CAP,S 0.1-50 F		FB303	87-008-372-080		EMIBL01/RN1
C18	87-010-405-010	CAP 50-10SME		L301	87-005-274-080		COIL,68UH K LAL03
C19	87-012-368-080	C-CAP,S 0.1-50 F		L302	87-003-097-080		COIL,1UH
C20	87-012-368-080	C-CAP,S 0.1-50 F		S10	87-A90-095-080		SW,EVQ11G04M
C21	87-010-404-080	CAP, ELECT 4.7-50V		W1	8A-YP1-638-010		F-CABLE,2P 2 L
C24	87-010-185-080	C-CAP,S 3900P-50 B		W2	8A-YP1-637-010		F-CABLE,2P 2 S
C25	87-010-401-080	CAP, ELECT 1-50V		W3	8A-YP1-637-010		F-CABLE,2P 2 S
C26	87-012-368-080	C-CAP,S 0.1-50 F		W4	88-907-251-210		FF-CABLE, 7P 1.25 250MM R
C27	87-010-404-080	CAP, ELECT 4.7-50V		W5	88-904-201-210		FF-CABLE 4P 1.25
C28	87-010-404-080	CAP, ELECT 4.7-50V		W6	88-904-301-210		FF-CABLE,4P 1.25 300MM
C29	87-010-221-080	CAP, ELECT 470-10V		W7	88-907-201-210		FF-CABLE, 7P 1.25 200MM
C30	87-010-263-080	CAP, ELECT 100-10V		X301	87-A70-115-010		12.288MHZ
C31	87-012-368-080	C-CAP,S 0.1-50 F		X302	87-A70-116-010		10MHZ
C31	87-012-368-080	C-CAP,S 0.1-50 F		REAR-BOTTOM C.B			
C51	87-010-405-010	CAP 50-10SME			88-907-151-210		FF-CABLE, 7P 1.25 150MM
C52	87-010-405-010	CAP 50-10SME			88-912-101-210		FF-CABLE,12P 1.25 100MM
C53	87-012-368-080	C-CAP,S 0.1-50 F			88-904-101-210		FF-CABLE,4P 1.25 100MM
C54	87-012-368-080	C-CAP,S 0.1-50 F			88-904-301-210		FF-CABLE,4P 1.25 300MM
C301	87-012-368-080	C-CAP,S 0.1-50 F		C1	87-010-178-080		CHIP CAP 1000P
C302	87-010-112-080	CAP, ELECT 100-16V		C2	87-010-178-080		CHIP CAP 1000P
C303	87-010-198-080	CAP, CHIP 0.022		C3	87-010-178-080		CHIP CAP 1000P
C304	87-010-174-080	CAP CHIP SL470P (K)		C4	87-010-178-080		CHIP CAP 1000P
C305	87-012-368-080	C-CAP,S 0.1-50 F		C61	87-010-235-080		CAP,E 470-16 SME
				C62	87-010-235-080		CAP,E 470-16 SME

REF. NO	PART NO.	KANRI NO.	DESCRIPTION	REF. NO	PART NO.	KANRI NO.	DESCRIPTION
C63	87-012-368-080		C-CAP,S 0.1-50 F	CN7	87-A60-080-010		CONN,07P H 9604S-07F
C64	87-012-368-080		C-CAP,S 0.1-50 F	CN201	84-722-632-010		CONN,2P H
C101	87-010-158-080		C-CAP,S 22P-50 SL	CN202	84-722-632-010		CONN,2P H
C102	87-010-170-080		S CHIP SL 220P(K)	CN203	84-722-632-010		CONN,2P H
C103	87-012-368-080		C-CAP,S 0.1-50 F	CN204	8A-YP1-633-010		CONN ASSY,2P SCNEHR SL
C104	87-010-379-080		CAP, ELECT 22-16V	CN205	8A-YP1-632-010		CONN ASSY,2P SCNEHR SR
C105	87-010-401-080		CAP, ELECT 1-50V	CN300	8A-YP1-632-010		CONN ASSY,2P SCNEHR SR
C106	87-012-368-080		C-CAP,S 0.1-50 F	FB1	87-008-372-080		EMIBL01/RN1
C107	87-010-166-080		C-CAP,S 100P-50 SL	J1	87-099-911-010		JACK,PIN 3P
C201	87-010-406-080		CAP, ELECT 22-50	J2	87-099-911-010		JACK,PIN 3P
C202	87-010-406-080		CAP, ELECT 22-50	J3	87-099-911-010		JACK,PIN 3P
C203	87-010-371-080		CAP, ELECT 470-6.3V	J4	87-A60-244-010		JACK,PIN 1P/YEL
C204	87-010-371-080		CAP, ELECT 470-6.3V	J5	87-A61-202-010		JACK,DIN 8P
C205	87-010-387-080		CAP,E 470-25 SME	J6	87-A61-201-010		JACK,DIN 6P
C206	87-010-406-080		CAP, ELECT 22-50	J7	87-A61-203-010		JACK,DIN 13P
C207	87-010-406-080		CAP, ELECT 22-50	J101	87-A60-244-010		JACK,PIN 1P/ORG
C208	87-010-406-080		CAP, ELECT 22-50	L101	87-008-501-080		DSS306/B101
C209	87-010-260-080		CAP, ELECT 47-25V	L102	87-008-501-080		DSS306/B101
C210	87-012-368-080		C-CAP,S 0.1-50 F	L103	87-005-274-080		COIL,68UH K LAL03
C251	87-018-015-080		CAP,TC-S 20P-50 SL	L201	87-003-152-080		COIL, 100UH
C252	87-010-316-080		C-CAP,S 33P-50 CH	L202	87-A50-083-080		COIL,47UH (CECS)
C253	87-010-166-080		C-CAP,S 100P-50 SL	L203	87-A50-083-080		COIL,47UH (CECS)
C254	87-010-401-080		CAP, ELECT 1-50V	L204	87-005-849-080		COIL,10UH(CECS)
C255	87-010-168-080		CAP, CHIP 150P	L205	87-005-839-080		COIL,5.6UH G LF5.0S
C256	87-010-149-080		C-CAP,S 5P-50 CH	R258	87-025-486-080		RESISTOR, M/F 1W 820
C257	87-010-149-080		C-CAP,S 5P-50 CH	R259	87-025-486-080		RESISTOR, M/F 1W 820
C258	87-010-263-080		CAP, ELECT 100-10V	X201	80-JU1-676-080		14.31MHZ
C259	87-012-368-080		C-CAP,S 0.1-50 F				
C260	87-010-545-080		CAP, ELECT 0.22-50V				
C261	87-010-401-080		CAP, ELECT 1-50V				
C262	87-010-188-080		CAP,CHIP 6800P				
C263	87-010-401-080		CAP, ELECT 1-50V				
C264	87-012-105-080		CAP,TC 0.022-16 Y				
C265	87-012-159-080		C-CAP,S 24P-50 CH	C709	87-010-178-080		CHIP CAP 1000P
C266	87-010-159-080		C-CAP,S 27P-50 SL	C710	87-010-405-010		CAP 50-10SME
C267	87-010-400-080		CAP, ELECT 0.47-50V	CN13	87-099-756-010		CONN,15P 9604S F
C268	87-012-368-080		C-CAP,S 0.1-50 F	CN14	87-099-750-010		CONN,15P/6203-301-015
C269	87-010-263-080		CAP, ELECT 100-10V	CN15	87-A60-076-010		CONN,12P H 9604S-12F
C270	87-010-401-080		CAP, ELECT 1-50V	D701	87-A40-807-010		LED,L-3VEGW RED/GRN
C801	87-010-405-010		CAP 50-10SME	D702	87-A40-805-010		LED,L-34IDSL RED
C802	87-010-405-010		CAP 50-10SME	D703	87-A40-805-010		LED,L-34IDSL RED
C803	87-010-405-010		CAP 50-10SME	D704	87-A40-805-010		LED,L-34IDSL RED
C804	87-010-405-010		CAP 50-10SME	D705	87-A40-805-010		LED,L-34IDSL RED
C805	87-010-405-010		CAP 50-10SME	D706	87-A40-806-010		LED,L-113IDT RED
C806	87-010-405-010		CAP 50-10SME	D707	87-A40-806-010		LED,L-113IDT RED
C807	87-010-405-010		CAP 50-10SME	D708	87-A40-806-010		LED,L-113IDT RED
C808	87-010-405-010		CAP 50-10SME	D709	87-A40-806-010		LED,L-113IDT RED
C809	87-010-405-010		CAP 50-10SME	D710	87-A40-805-010		LED,L-34IDSL RED
C810	87-010-405-010		CAP 50-10SME	D711	87-A40-806-010		LED,L-113IDT RED
C811	87-010-405-010		CAP 50-10SME	D712	87-A40-806-010		LED,L-113IDT RED
C812	87-010-405-010		CAP 50-10SME	D713	87-A40-806-010		LED,L-113IDT RED
C813	87-012-368-080		C-CAP,S 0.1-50 F	D714	87-A40-806-010		LED,L-113IDT RED
C814	87-012-368-080		C-CAP,S 0.1-50 F	D715	87-A40-806-010		LED,L-113IDT RED
C815	87-012-368-080		C-CAP,S 0.1-50 F	D716	87-A40-806-010		LED,L-113IDT RED
C816	87-012-368-080		C-CAP,S 0.1-50 F	D717	87-A40-806-010		LED,L-113IDT RED
C817	87-012-368-080		C-CAP,S 0.1-50 F	D718	87-A40-806-010		LED,L-113IDT RED
C818	87-012-368-080		C-CAP,S 0.1-50 F	D719	87-A40-806-010		LED,L-113IDT RED
C907	87-018-119-080		CAP,TC-U 100P	D720	87-A40-806-010		LED,L-113IDT RED
C910	87-012-368-080		C-CAP,S 0.1-50 F	D721	87-A40-805-010		LED,L-34IDSL RED
C911	87-012-368-080		C-CAP,S 0.1-50 F	D722	87-A40-805-010		LED,L-34IDSL RED
C913	87-012-368-080		C-CAP,S 0.1-50 F	D723	87-A40-805-010		LED,L-34IDSL RED
C960	87-018-119-080		CAP,TC-U 100P	D724	87-A40-805-010		LED,L-34IDSL RED
C961	87-010-166-080		C-CAP,S 100P-50 SL	D725	87-A40-805-010		LED,L-34IDSL RED
C962	87-010-166-080		C-CAP,S 100P-50 SL	D726	87-A40-805-010		LED,L-34IDSL RED
CN1	8A-YP1-630-010		CONN ASSY,6P SCNEHR	D727	87-A40-805-010		LED,L-34IDSL RED
CN2	87-049-919-010		CONN,3P EH V WHT	D728	87-A40-805-010		LED,L-34IDSL RED
CN3	87-A60-083-010		CONN,04P H 9604S-04F	D729	87-A40-805-010		LED,L-34IDSL RED
CN4	87-A60-080-010		CONN,07P H 9604S-07F	D740	87-A40-805-010		LED,L-34IDSL RED
CN5	87-A60-076-010		CONN,12P H 9604S-12F	D741	87-A40-805-010		LED,L-34IDSL RED
CN6	87-A60-083-010		CONN,04P H 9604S-04F	S701	87-A91-616-010		SW,PUSH 2-2-2
				S702	87-A90-095-080		SW,TACT EVQ11G04M

REF. NO	PART NO.	KANRI NO.	DESCRIPTION	REF. NO	PART NO.	KANRI NO.	DESCRIPTION
S703	87-A90-095-080	SW,TACT	EVQ11G04M	C467	87-010-154-080		CAP CHIP 10P
S704	87-A90-095-080	SW,TACT	EVQ11G04M	C468	87-012-368-080		C-CAP,S 0.1-50 F
S706	87-A90-095-080	SW,TACT	EVQ11G04M	C469	87-010-154-080		CAP CHIP 10P
S708	87-A90-095-080	SW,TACT	EVQ11G04M	C470	87-012-368-080		C-CAP,S 0.1-50 F
S709	87-A90-095-080	SW,TACT	EVQ11G04M	C471	87-010-154-080		CAP CHIP 10P
S715	87-A90-535-010	SW,EC16B24304		C472	87-010-154-080		CAP CHIP 10P
				C473	87-012-368-080		C-CAP,S 0.1-50 F
				C474	87-010-154-080		CAP CHIP 10P
				C475	87-012-368-080		C-CAP,S 0.1-50 F
				C477	87-010-154-080		CAP CHIP 10P
MID-TOP C.B				C478	87-010-154-080		CAP CHIP 10P
	88-907-251-210	FF-CABLE,	7P 1.25 250MM R	C479	87-012-368-080		C-CAP,S 0.1-50 F
	88-904-151-210	FF-CABLE,	4P 1.25 150MM	C480	87-010-154-080		CAP CHIP 10P
C401	87-010-404-080	CAP, ELECT	4.7-50V	C481	87-012-368-080		C-CAP,S 0.1-50 F
C402	87-010-404-080	CAP, ELECT	4.7-50V	C486	87-012-368-080		C-CAP,S 0.1-50 F
C403	87-010-404-080	CAP, ELECT	4.7-50V				
C404	87-010-404-080	CAP, ELECT	4.7-50V	C487	87-010-380-080		CAP, ELECT 47-16V
C405	87-010-404-080	CAP, ELECT	4.7-50V	C491	87-010-405-010		CAP 50-10SME
C406	87-010-404-080	CAP, ELECT	4.7-50V	C492	87-010-405-010		CAP 50-10SME
C407	87-010-178-080	CHIP CAP	1000P	C493	87-012-368-080		C-CAP,S 0.1-50 F
C408	87-010-178-080	CHIP CAP	1000P	C494	87-012-368-080		C-CAP,S 0.1-50 F
C409	87-010-178-080	CHIP CAP	1000P				
C410	87-010-178-080	CHIP CAP	1000P	C505	87-012-368-080		C-CAP,S 0.1-50 F
C411	87-010-178-080	CHIP CAP	1000P	C506	87-012-368-080		C-CAP,S 0.1-50 F
C412	87-010-178-080	CHIP CAP	1000P	C507	87-010-408-080		CAP, ELECT 47-50V
C413	87-010-168-080	CAP, CHIP	150P	C508	87-010-408-080		CAP, ELECT 47-50V
				C510	87-010-380-080		CAP, ELECT 47-16V
C414	87-010-168-080	CAP, CHIP	150P				
C415	87-010-168-080	CAP, CHIP	150P	C902	87-010-401-080		CAP, ELECT 1-50V
C416	87-010-168-080	CAP, CHIP	150P	C903	87-010-405-010		CAP 50-10SME
C417	87-010-168-080	CAP, CHIP	150P	C904	87-010-175-080		C-CAP,560P
C418	87-010-168-080	CAP, CHIP	150P	C905	87-010-175-080		C-CAP,560P
				C906	87-010-175-080		C-CAP,560P
C421	87-012-368-080	C-CAP,S	0.1-50 F				
C422	87-012-368-080	C-CAP,S	0.1-50 F	C970	87-010-404-080		CAP, ELECT 4.7-50V
C423	87-012-368-080	C-CAP,S	0.1-50 F	CN12	87-A60-083-010		CONN,04P H 9604S-04F
C424	87-012-368-080	C-CAP,S	0.1-50 F	CN102	8A-YP1-631-010		CONN ASSY,3P SCNEHR
C425	87-012-368-080	C-CAP,S	0.1-50 F	CN107	87-A60-080-010		CONN,07P H 9604S-07F
				CN109	87-A60-080-010		CONN,07P H 9604S-07F
C426	87-012-368-080	C-CAP,S	0.1-50 F				
C427	87-012-368-080	C-CAP,S	0.1-50 F	CN110	87-A60-083-010		CONN,04P H 9604S-04F
C428	87-012-368-080	C-CAP,S	0.1-50 F				
C429	87-012-368-080	C-CAP,S	0.1-50 F				
C430	87-010-544-080	CAP, ELECT	0.1-50V	MID-REAR C.B			
C431	87-010-544-080	CAP, ELECT	0.1-50V	C700	87-010-236-080		CAP,E 1000-10 SME
C432	87-010-544-080	CAP, ELECT	0.1-50V	C701	87-010-263-080		CAP, ELECT 100-10V
C433	87-010-544-080	CAP, ELECT	0.1-50V	C702	87-012-368-080		C-CAP,S 0.1-50 F
C434	87-010-544-080	CAP, ELECT	0.1-50V	C706	87-012-368-080		C-CAP,S 0.1-50 F
C437	87-010-154-080	CAP CHIP	10P	C707	87-012-368-080		C-CAP,S 0.1-50 F
C438	87-010-154-080	CAP CHIP	10P				
C439	87-010-154-080	CAP CHIP	10P	C712	87-010-178-080		CHIP CAP 1000P
C440	87-010-154-080	CAP CHIP	10P	C713	87-012-368-080		C-CAP,S 0.1-50 F
C441	87-010-154-080	CAP CHIP	10P	C714	87-010-401-080		CAP, ELECT 1-50V
C442	87-010-154-080	CAP CHIP	10P	C750	87-A11-148-080		CAP,TC U 0.1-50 Z F
				C751	87-A11-148-080		CAP,TC U 0.1-50 Z F
C443	87-012-368-080	C-CAP,S	0.1-50 F				
C444	87-012-368-080	C-CAP,S	0.1-50 F	C950	87-010-221-080		CAP, ELECT 470-10V
C445	87-012-368-080	C-CAP,S	0.1-50 F	CF701	87-A70-124-080		VIB,CER 8.0MHz
C446	87-012-368-080	C-CAP,S	0.1-50 F	CN105	87-A60-076-010		CONN,12P H 9604S-12F
C447	87-012-368-080	C-CAP,S	0.1-50 F	CN108	87-A60-083-010		CONN,04P H 9604S-04F
				CN111	87-A60-080-010		CONN,07P H 9604S-07F
C448	87-012-368-080	C-CAP,S	0.1-50 F				
C449	87-010-405-010	CAP 50-10SME		CN112	87-A60-083-010		CONN,04P H 9604S-04F
C450	87-010-405-010	CAP 50-10SME		CN113	87-099-756-010		CONN,15P 9604S F
C451	87-010-405-010	CAP 50-10SME		CN114	87-099-756-010		CONN,15P 9604S F
C452	87-010-405-010	CAP 50-10SME		CN115	87-A60-076-010		CONN,12P H 9604S-12F
C453	87-010-405-010	CAP 50-10SME		SL-SP C.B			
C454	87-010-405-010	CAP 50-10SME					
C455	87-012-368-080	C-CAP,S	0.1-50 F	J901	87-A61-209-010		JACK,TERMINAL ST
C456	87-012-368-080	C-CAP,S	0.1-50 F				
C457	87-012-368-080	C-CAP,S	0.1-50 F	SR-SP C.B			
C460	87-012-141-080	C-CAP,	0.22-16				
C461	87-012-368-080	C-CAP,S	0.1-50 F	J902	87-A61-209-010		JACK,TERMINAL ST
C462	87-012-368-080	C-CAP,S	0.1-50 F				
C463	87-012-358-080	C-CAP,S	0.47-10 F Z				
C466	87-010-154-080	CAP CHIP	10P	SR-JACK C.B			

REF. NO	PART NO.	KANRI NO.	DESCRIPTION
CN901	84-722-632-010		CONN, 2P EH
J903	87-A61-208-010		JACK, TERMINAL SP

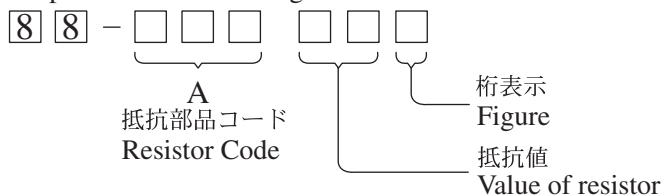
SL-JACK C.B

CN902	84-722-632-010		CONN, 2P EH
J904	87-A61-208-010		JACK, TERMINAL SP

○チップ抵抗部品コード／CHIP RESISTOR PART CODE

チップ抵抗部品コードの成り立ち

Chip Resistor Part Coding



チップ抵抗  
Chip resistor

容量 Wattage	種類 Type	許容誤差 Tolerance	記号 Symbol	寸法/Dimensions (mm)			抵抗コード : A Resistor Code : A	
				外形/Form	L	W		t
1/16W	1005	± 5%	CJ		1.0	0.5	0.35	104
1/16W	1608	± 5%	CJ		1.6	0.8	0.45	108
1/10W	2125	± 5%	CJ		2	1.25	0.45	118
1/8W	3216	± 5%	CJ		3.2	1.6	0.55	128

# ELECTRICAL MAIN PARTS LIST [TS-W701]

REF. NO	PART NO.	KANRI NO.	DESCRIPTION	REF. NO	PART NO.	KANRI NO.	DESCRIPTION
IC				C132	87-A11-731-080		C-CAP,S 0.47-50 Z F
	87-A20-754-010	IC, BA4558N-DX		C201	87-010-178-080		CAP,CHIP S 1000P
	87- - -	IC,NJM79M09		C202	87-010-178-080		CAP,CHIP S 1000P
	87-020-969-010	IC,NJM78M09		C203	87-010-404-080		CAP, ELECT 4.7-50V
				C204	87-010-404-080		CAP, ELECT 4.7-50V
TRANSISTOR				C205	87-010-322-080		C-CAP,S 100P-50 CH
	87-A30-257-080	C-TR,2SD1306E/F		C206	87-010-322-080		C-CAP,S 100P-50 CH
	87-A30-076-080	C-TR,2SC3052F		C207	87-010-406-080		CAP, ELECT 22-50
	87-A30-190-080	TR,CC5551		C208	87-010-406-080		CAP, ELECT 22-50
	87-A30-106-070	C-TR,CMBT5551		C209	87-010-384-080		CAP, ELECT 100-25V
	87-A30-074-080	C-TR,RTIP141C		C210	87-010-384-080		CAP, ELECT 100-25V
	87-A30-268-040	C-TR,2SA1514K		C211	87-A10-946-080		C-CAP,220P-100V
	87-A30-075-080	C-TR,2SA1235F		C212	87-A10-946-080		C-CAP,220P-100V
	87-026-232-080	C-TR,DTA144W/F		C215	87-010-186-080		CAP,CHIP 4700P
	87-A30-215-010	TR,2SD2025		C216	87-010-186-080		CAP,CHIP 4700P
	87-A30-214-010	TR,2SB1344		C219	87-012-368-080		C-CAP,S 0.1-50 F
	87-A30-097-010	TR,FN 1016		C220	87-012-368-080		C-CAP,S 0.1-50 F
	87-A30-098-010	TR,FP 1016		C221	87-012-368-080		C-CAP,S 0.1-50 F
	87-A30-186-080	FET,2SK3053		C222	87-012-368-080		C-CAP,S 0.1-50 F
	89-213-702-010	TR,2SB1370E		C223	87-010-186-080		CAP,CHIP 4700P
	89-420-612-010	TR,2SD2061E(2W)		C231	87-A11-731-080		C-CAP,S 0.47-50 Z F
	87-026-610-080	TR,KTC3198GR		C232	87-A11-731-080		C-CAP,S 0.47-50 Z F
	89-318-155-080	TR,2SC1815GR(0.4W)		C301	87-010-178-080		CAP,CHIP S 1000P
	87-026-609-080	TR,KTA1266GR		C302	87-010-405-080		CAP, ELECT 10-50V
	89-110-155-080	TR,2SA1015GR(0.4W)		C303	87-010-322-080		C-CAP,S 100P-50 CH
	87-026-245-080	TR,DTC114ES		C304	87-010-406-080		CAP, ELECT 22-50
				C305	87-010-384-080		CAP, ELECT 100-25V
				C306	87-A10-946-080		C-CAP,220P-100V
				C308	87-010-186-080		CAP,CHIP 4700P
				C310	87-010-186-080		CAP,CHIP 4700P
DIODE				C311	87-012-368-080		C-CAP,S 0.1-50 F
	87-020-465-080	DIODE,1SS133 (110MA)		C312	87-012-368-080		C-CAP,S 0.1-50 F
	87-A40-345-080	ZENER,MTZJ10C		C318	87-A11-731-080		C-CAP,S 0.47-50 Z F
	87-070-136-080	ZENER,MTZJ5.1B		C401	87-010-182-080		C-CAP,S 2200P-50 B
	87-A40-184-010	DIODE,RK34F		C402	87-010-405-080		CAP, ELECT 10-50V
	87-A40-341-080	ZENER,MTZJ 36 A		C403	87-012-156-080		C-CAP,S 220P-50 CH
	87-A40-004-080	ZENER,MTZJ16A		C404	87-010-405-080		CAP, ELECT 10-50
	87-A40-116-060	DIODE,RS403L-B-D-51		C406	87-010-384-080		CAP, ELECT 100-25V
	87-017-978-080	DIODE,1N4003		C407	87-A10-946-080		C-CAP,220P-100V
	87-A40-547-090	DIODE,D5SBA20		C409	87-010-186-080		CAP,CHIP 4700P
W-MAIN C.B				C411	87-010-186-080		CAP,CHIP 4700P
C5	87-010-322-080	C-CAP,S 100P-50 CH		C412	87-012-368-080		C-CAP,S 0.1-50 F
C6	87-010-322-080	C-CAP,S 100P-50 CH		C413	87-012-368-080		C-CAP,S 0.1-50 F
C7	87-012-368-080	C-CAP,S 0.1-50 F		C414	87-012-368-080		C-CAP,S 0.1-50 F
C8	87-012-368-080	C-CAP,S 0.1-50 F		C415	87-010-178-080		CHIP CAP 1000P
C9	87-010-406-080	CAP, ELECT 22-50		C416	87-010-178-080		CHIP CAP 1000P
C10	87-010-178-080	C-CAP,1000P-50V		C417	87-016-299-080		CAP,E 10-100 SME
C101	87-010-178-080	CHIP CAP 1000P		C418	87-016-299-080		CAP,E 10-100 SME
C102	87-010-178-080	CHIP CAP 1000P		C422	87-A11-731-080		C-CAP,S 0.47-50 Z F
C103	87-010-405-080	CAP, ELECT 10-50V		C502	87-010-404-080		CAP, ELECT 4.7-50V
C104	87-010-405-080	CAP, ELECT 10-50V		C503	87-010-260-080		CAP, ELECT 47-25V
C105	87-010-322-080	C-CAP,S 100P-50 CH		C504	87-012-140-080		CAP 470P
C106	87-010-322-080	C-CAP,S 100P-50 CH		C505	87-010-263-080		CAP, ELECT 100-10V
C107	87-010-406-080	CAP, ELECT 22-50		C507	87-010-247-080		CAP, ELECT 100-50V
C108	87-010-406-080	CAP, ELECT 22-50		C508	87-010-384-080		CAP, ELECT 100-25V
C109	87-010-384-080	CAP, ELECT 100-25V		C509	87-010-384-080		CAP, ELECT 100-25V
C110	87-010-384-080	CAP, ELECT 100-25V		C510	87-010-235-080		CAP,E 470-16 SME
C111	87-A10-946-080	C-CAP,220P-100V		C511	87-010-235-080		CAP,E 470-16 SME
C112	87-A10-946-080	C-CAP,220P-100V		C512	87-016-658-000		CAP,E 4700-35 M SMG
C115	87-010-186-080	CAP,CHIP 4700P		C513	87-016-658-000		CAP,E 4700-35 M SMG
C116	87-010-186-080	CAP,CHIP 4700P		C514	87-012-368-080		C-CAP,S 0.1-50 F
C119	87-012-368-080	C-CAP,S 0.1-50 F		C515	87-012-368-080		C-CAP,S 0.1-50 F
C120	87-012-368-080	C-CAP,S 0.1-50 F		C516	87-010-917-000		CAP,E 3300-50 M SMG
C121	87-012-368-080	C-CAP,S 0.1-50 F		C517	87-010-917-000		CAP,E 3300-50 M SMG
C122	87-012-368-080	C-CAP,S 0.1-50 F		C518	87-012-368-080		C-CAP,S 0.1-50 F
C123	87-010-186-080	CAP,CHIP 4700P		C519	87-012-368-080		C-CAP,S 0.1-50 F
C124	87-010-101-080	CAP, ELECT 220-16		C520	87-012-368-080		C-CAP,S 0.1-50 F
C125	87-010-101-080	CAP, ELECT 220-16		C521	87-012-368-080		C-CAP,S 0.1-50 F
C131	87-A11-731-080	C-CAP,S 0.47-50 Z F		C522	87-010-401-080		CAP, ELECT 1-50V
				C523	87-010-263-080		CAP, ELECT 100-10V

REF. NO	PART NO.	KANRI NO.	DESCRIPTION	REF. NO	PART NO.	KANRI NO.	DESCRIPTION
C524	87-010-260-080		CAP, ELECT 47-25V	W-JACK C.B			
C525	87-010-247-080		CAP, ELECT 100-50V				
C527	87-010-263-080		CAP, ELECT 100-10V	CN2	87-009-313-010		CONN 7P 51048
C528	87-012-140-080		CAP 470P	CNA102	8A-YP8-672-010		CONN ASSY, 10P W-JACK
CN4	87-009-038-010		CONN, 10P PH	J1	87-A61-203-010		JACK, 13P
CN5	87-009-261-010		CONN, 7P52147MXJ	J2	87-A61-201-010		JACK, DIN 6P
CN7	87-009-034-010		CONN, 6P PH V	J3	87-A61-202-010		JACK, DIN 8P
CN9	87-009-030-010		CONNECTOR 2P PH M	W1	8A-YP8-666-010		F-CABLE, 9P 2 W-JACK
CN10	87-099-043-010		CONN 2P EH	W3	8A-YP8-665-010		F-CABLE, 7P 2 W-JACK
CNA103	8A-YP8-669-010		CONN ASSY, 5P W-POWER	W4	8A-YP8-666-010		F-CABLE, 9P 2 W-JACK
L101	87-003-383-010		COIL, 1UH-S	LED C.B			
L102	87-003-383-010		COIL, 1UH-S				
L201	87-003-383-010		COIL, 1UH-S	CNA101	8A-YP8-668-010		CONN ASSY, 2P W-LED
L202	87-003-383-010		COIL, 1UH-S	D908	8Z-YP1-606-010		LED, GRN DIA3
L301	87-003-383-010		COIL, 1UH-S	REG C.B			
L401	87-003-383-010		COIL, 1UH-S				
△PR402	87-A90-113-080		4A-125V	C601	87-012-368-080		C-CAP, S 0.1-50 F
R137	87-A00-257-080		RES, M/F 0.15-1W J	C602	87-012-368-080		C-CAP, S 0.1-50 F
R138	87-A00-257-080		RES, M/F 0.15-1W J	C603	87-012-368-080		C-CAP, S 0.1-50 F
R139	87-A00-257-080		RES, M/F 0.15-1W J	C604	87-012-368-080		C-CAP, S 0.1-50 F
R140	87-A00-257-080		RES, M/F 0.15-1W J	C605	87-010-405-080		CAP, ELECT 10-50V
R141	87-022-602-080		RES, M/F 0.33-2W J	C606	87-010-405-080		CAP, ELECT 10-50V
R142	87-022-602-080		RES, M/F 0.33-2W J	AC C.B			
R237	87-A00-257-080		RES, M/F 0.15-1W J	C901	87-A10-480-080		CAP, 4700-250V MEKH
R238	87-A00-257-080		RES, M/F 0.15-1W J	C903	87-018-209-080		CAP, CER 0.1-50V
R239	87-A00-257-080		RES, M/F 0.15-1W J	C904	87-018-209-080		CAP, CER 0.1-50V
R240	87-A00-257-080		RES, M/F 0.15-1W J	C905	87-018-209-080		CAP, CER 0.1-50V
R241	87-022-602-080		RES, M/F 0.33-2W J	C906	87-010-237-080		CAP, ELECT 1000-16V
R242	87-022-602-080		RES, M/F 0.33-2W J	C907	87-010-403-080		CAP, ELECT 3.3-50V
R324	87-A00-257-080		RES, M/F 0.15-1W J	CN901	87-099-674-010		CONN, 2P VA V
R325	87-A00-257-080		RES, M/F 0.15-1W J	CN902	87-009-030-010		CONNECTOR 2P PH M
R326	87-022-602-080		RES, M/F 0.33-2W J	CNA901	8A-YP8-670-010		CONN ASSY, 6P W-AC
R425	87-A00-262-080		RES, M/F 0.15-2W J	CNA902	8A-YP8-671-010		CONN ASSY, 2P W-AC
R426	87-A00-262-080		RES, M/F 0.15-2W J	△F1	87-A91-276-080		125MA-125V
R427	87-A00-262-080		RES, M/F 0.15-2W J	△PT902	87-NF8-661-010		PT, SUB ZNF-8 (U)
R519	87-025-574-060		RES, M/F 1-1W J	RY901	87-A91-368-010		RELAY, AC DC12V
R531	87-A00-569-010		RES, M/F 5.6-1W J	TR C.B			
TH101	87-A91-081-080		C-THMS, 100K-K 20P				
TH102	87-A91-081-080		C-THMS, 100K-K 20P	CN903	87-099-674-010		CONN, 2P VA V
TH201	87-A91-081-080		C-THMS, 100K-K 20P	CN904	87-009-195-010		CONN, 5P B5BEH
TH202	87-A91-081-080		C-THMS, 100K-K 20P	△PT901	8A-YP8-658-010		PT, U
TH301	87-A91-081-080		C-THMS, 100K-K 20P				
TH401	87-A91-081-080		C-THMS, 100K-K 20P				
W2	8A-YP8-664-010		F-CABLE, 12P 2 W-MAIN				

○チップ抵抗部品コード／CHIP RESISTOR PART CODE

チップ抵抗部品コードの成り立ち

Chip Resistor Part Coding



A  
抵抗部品コード  
Resistor Code

桁表示  
Figure  
抵抗値  
Value of resistor

チップ抵抗  
Chip resistor

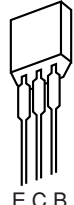
容量 Wattage	種類 Type	許容誤差 Tolerance	記号 Symbol	寸法/Dimensions (mm)			抵抗コード : A Resistor Code : A	
				外形/Form	L	W		t
1/16W	1005	± 5%	CJ		1.0	0.5	0.35	104
1/16W	1608	± 5%	CJ		1.6	0.8	0.45	108
1/10W	2125	± 5%	CJ		2	1.25	0.45	118
1/8W	3216	± 5%	CJ		3.2	1.6	0.55	128



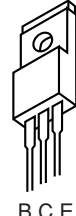
TRANSISTOR ILLUSTRATION



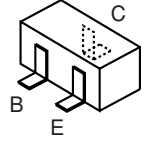
ECB  
2SA1015  
2SC1815  
CC5551  
KTA1266  
KTC3198



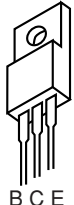
ECB  
DTC114ES



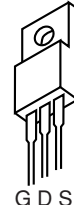
BCE  
2SB1344  
2SB1370  
2SD2025  
2SD2061



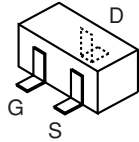
BCE  
2SA1037  
2SA1235  
2SA1514  
2SC3052  
2SD1306  
CMBT5551  
DTA123EK  
DTA144W/F  
DTC123JK  
RTIN141C  
RTIP141C



BCE  
FN1016  
FP1016

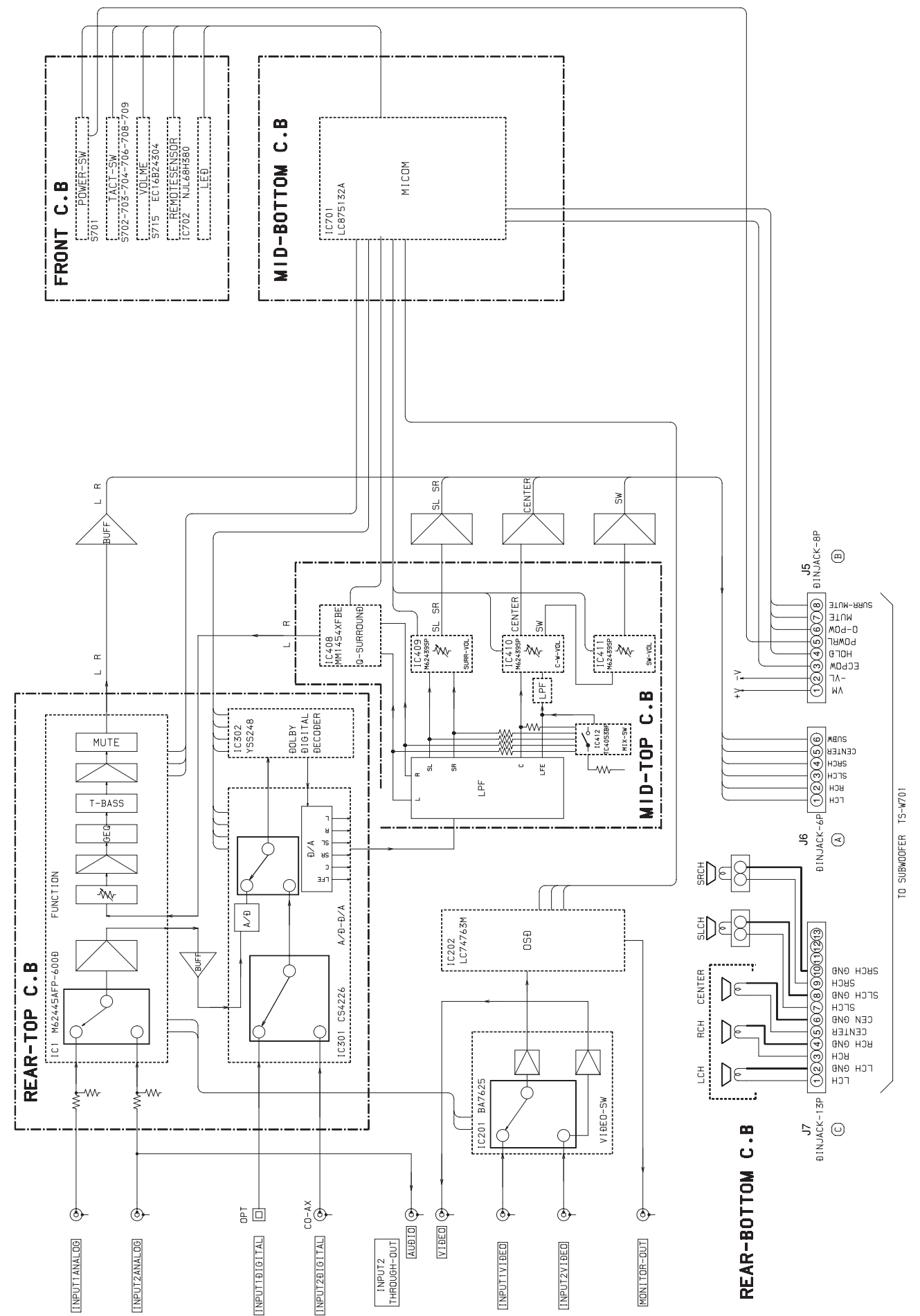


GDS  
2SK3053

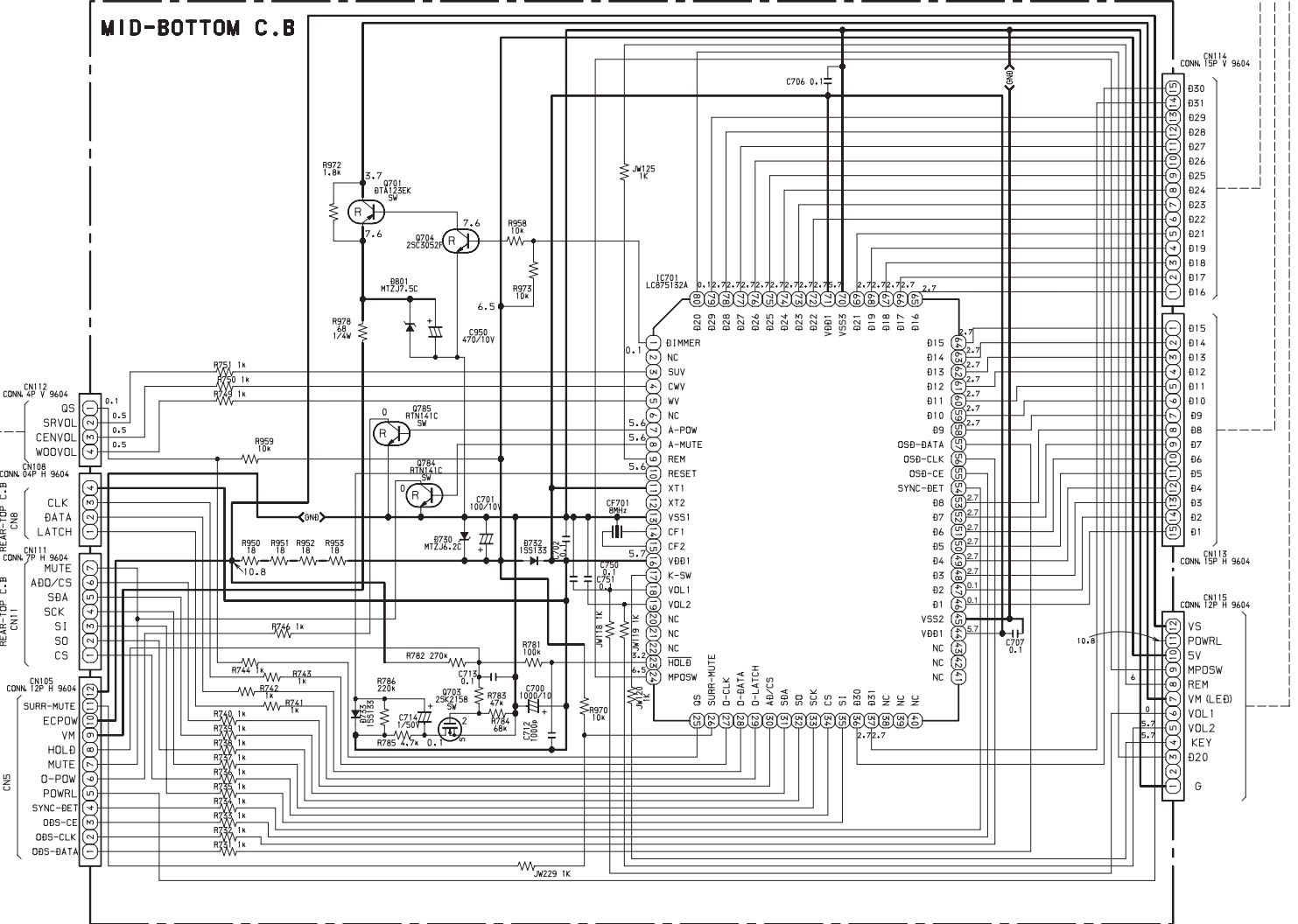
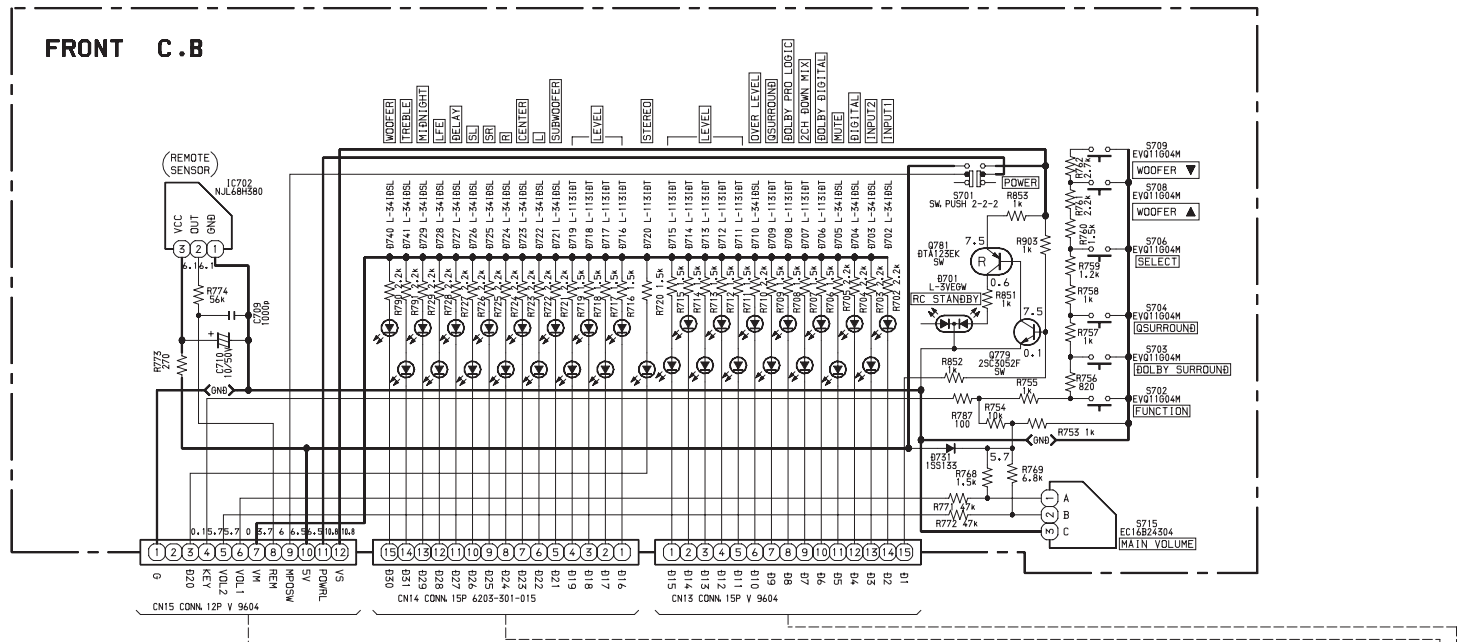
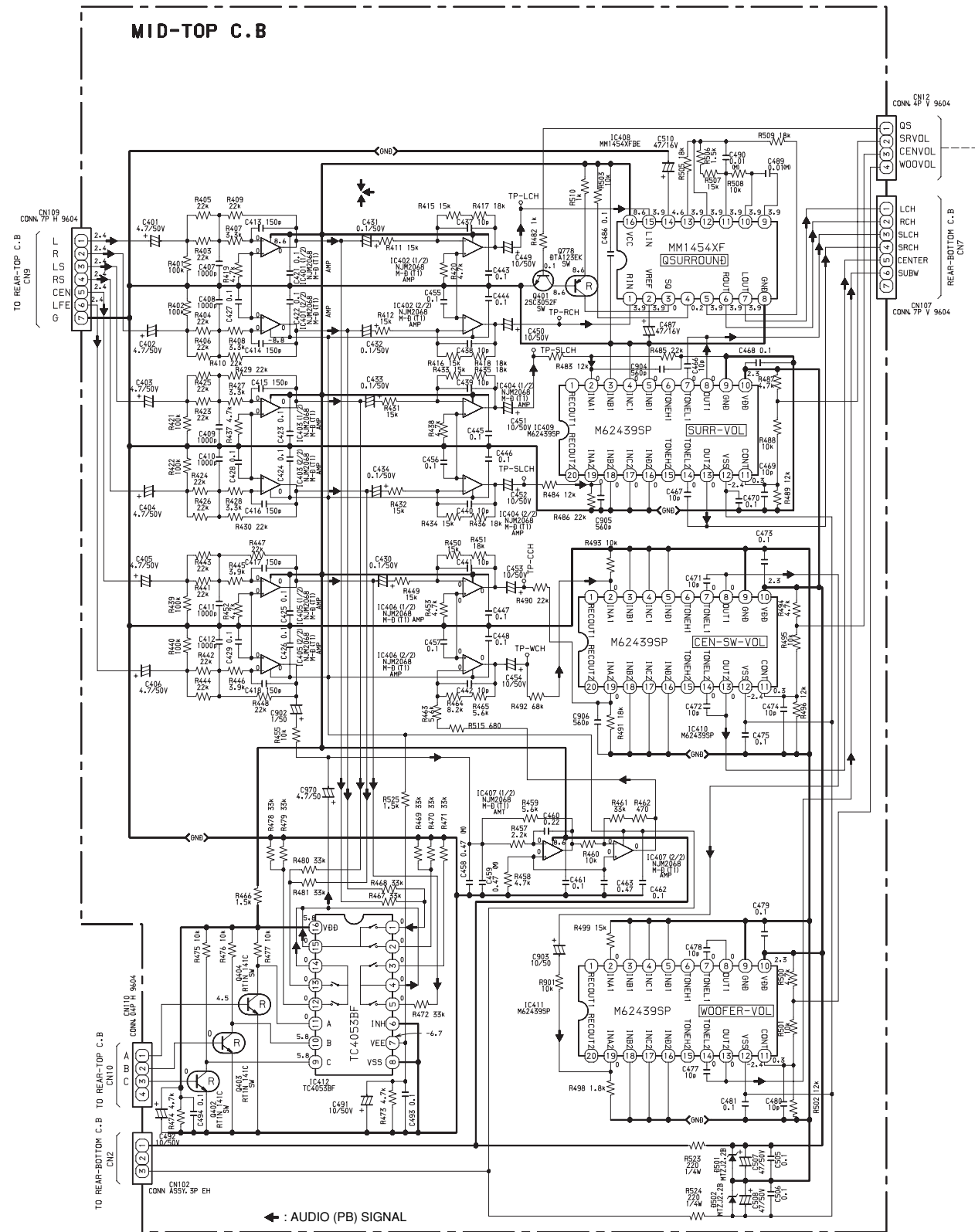


D  
2SK2158

BLOCK DIAGRAM-1 [HE-C701]



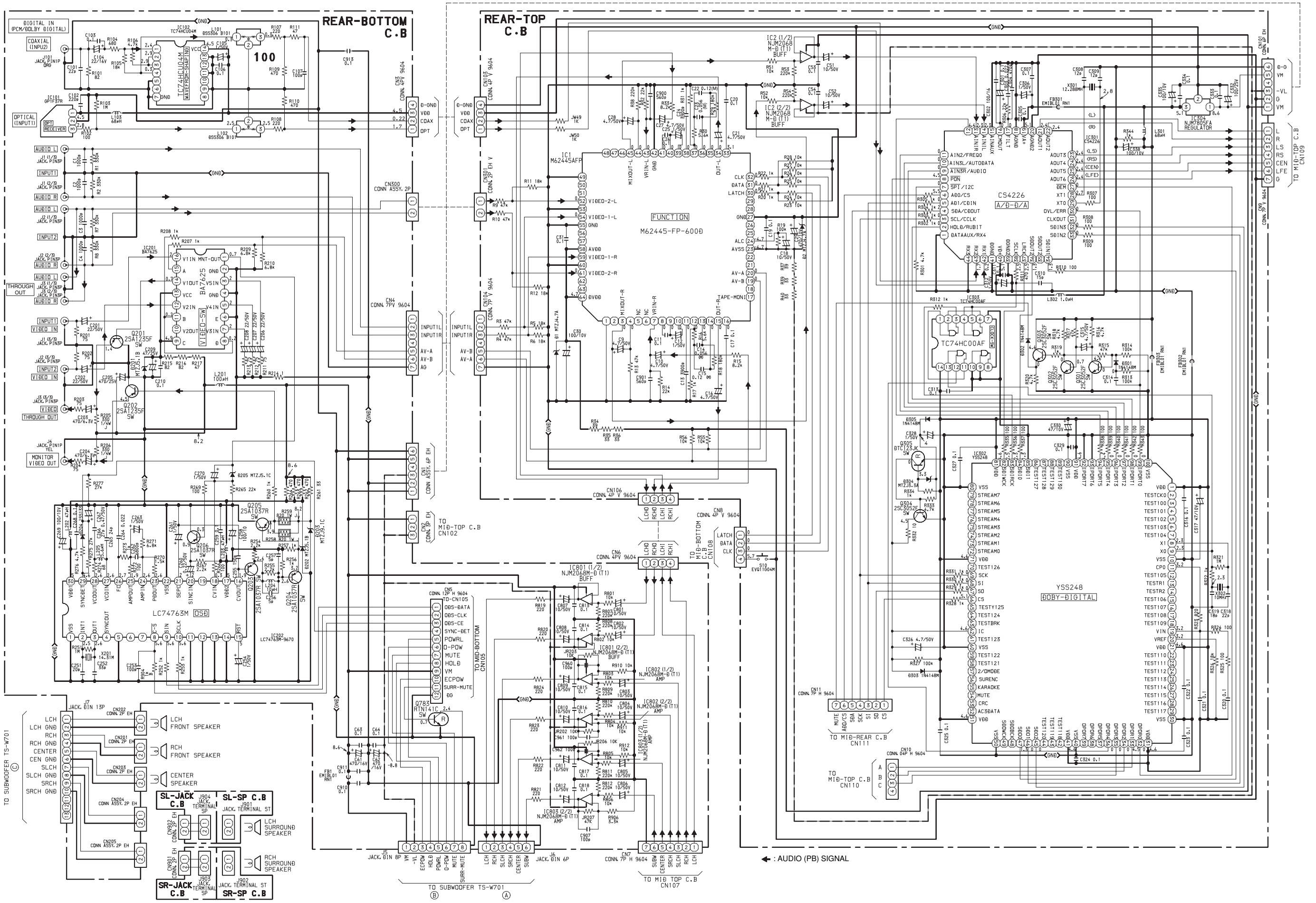
SCHEMATIC DIAGRAM-1 [HE-C701] (FRONT, MID-TOP, MID-BOTTOM SECTION)



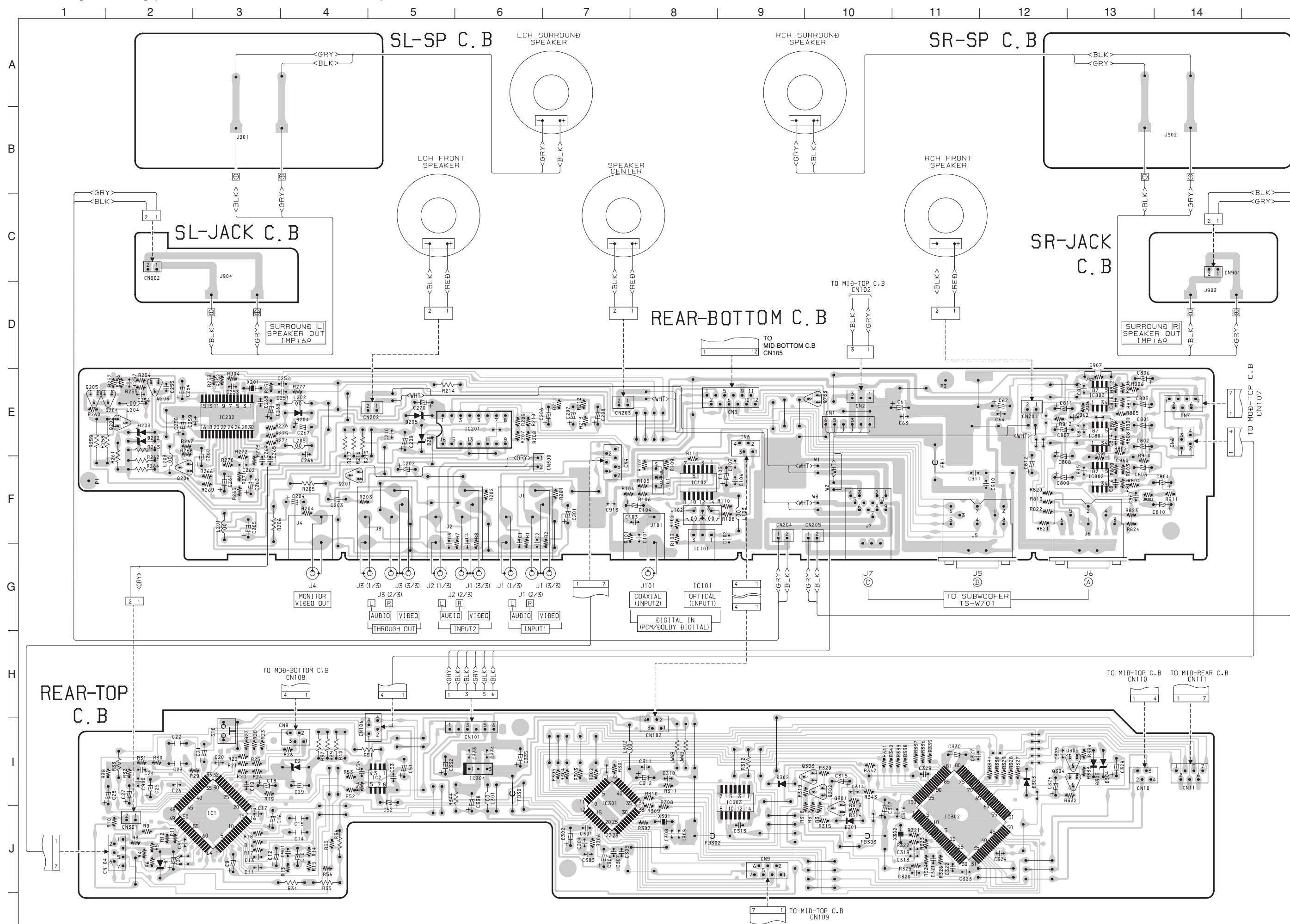




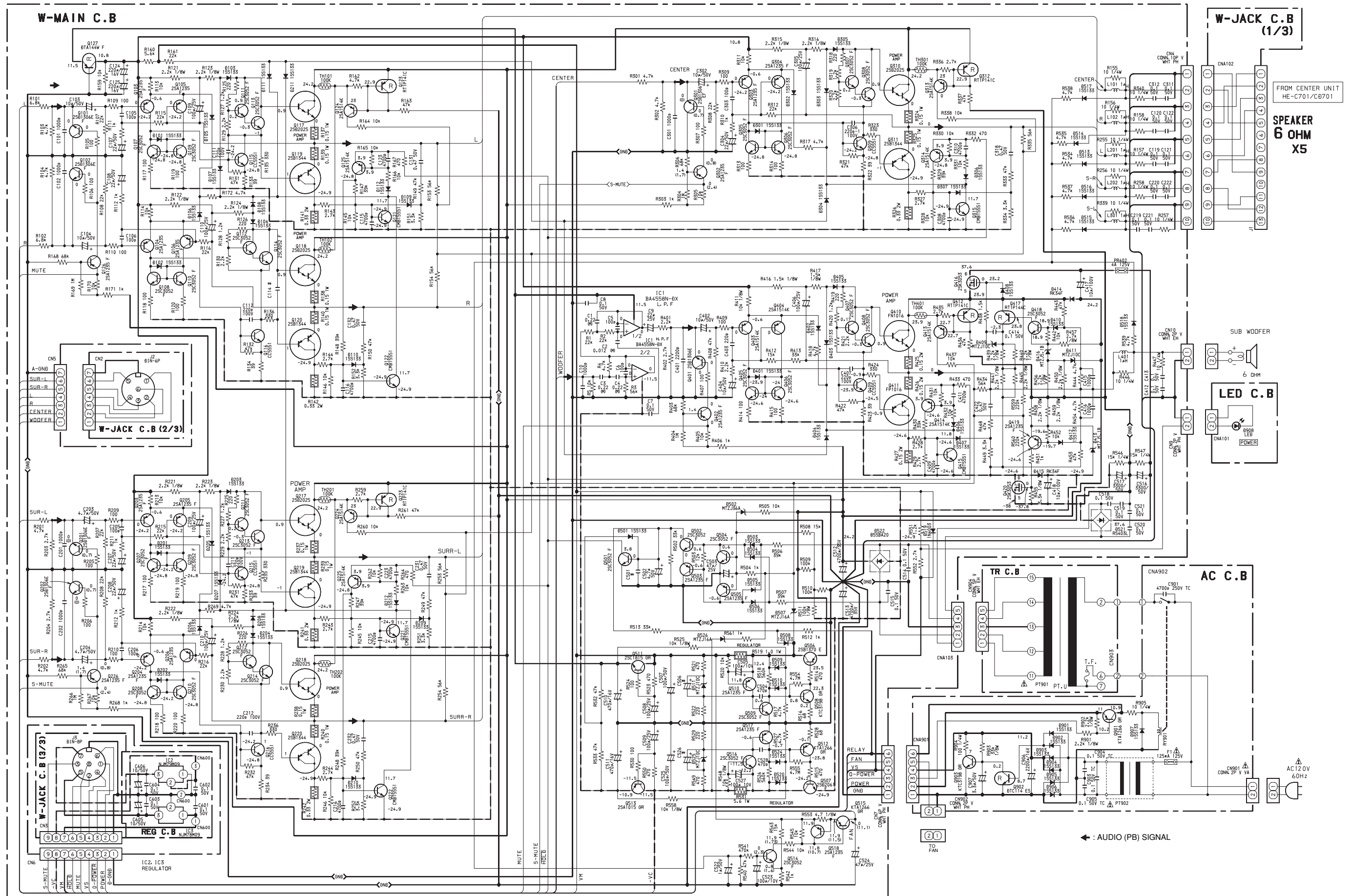
SCHEMATIC DIAGRAM-2 [HE-C701] (REAR-TOP, REAR-BOTTOM SECTION)

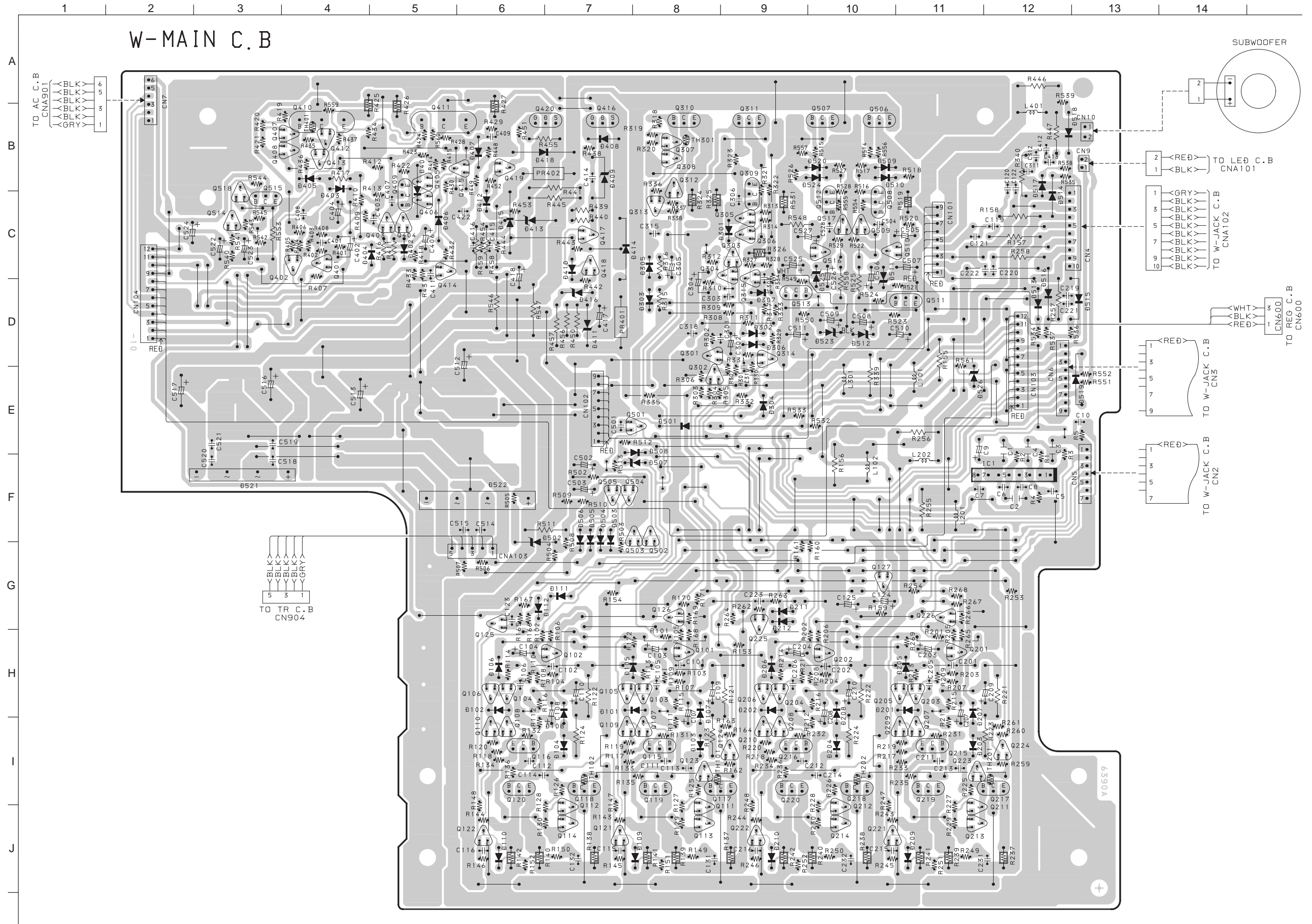


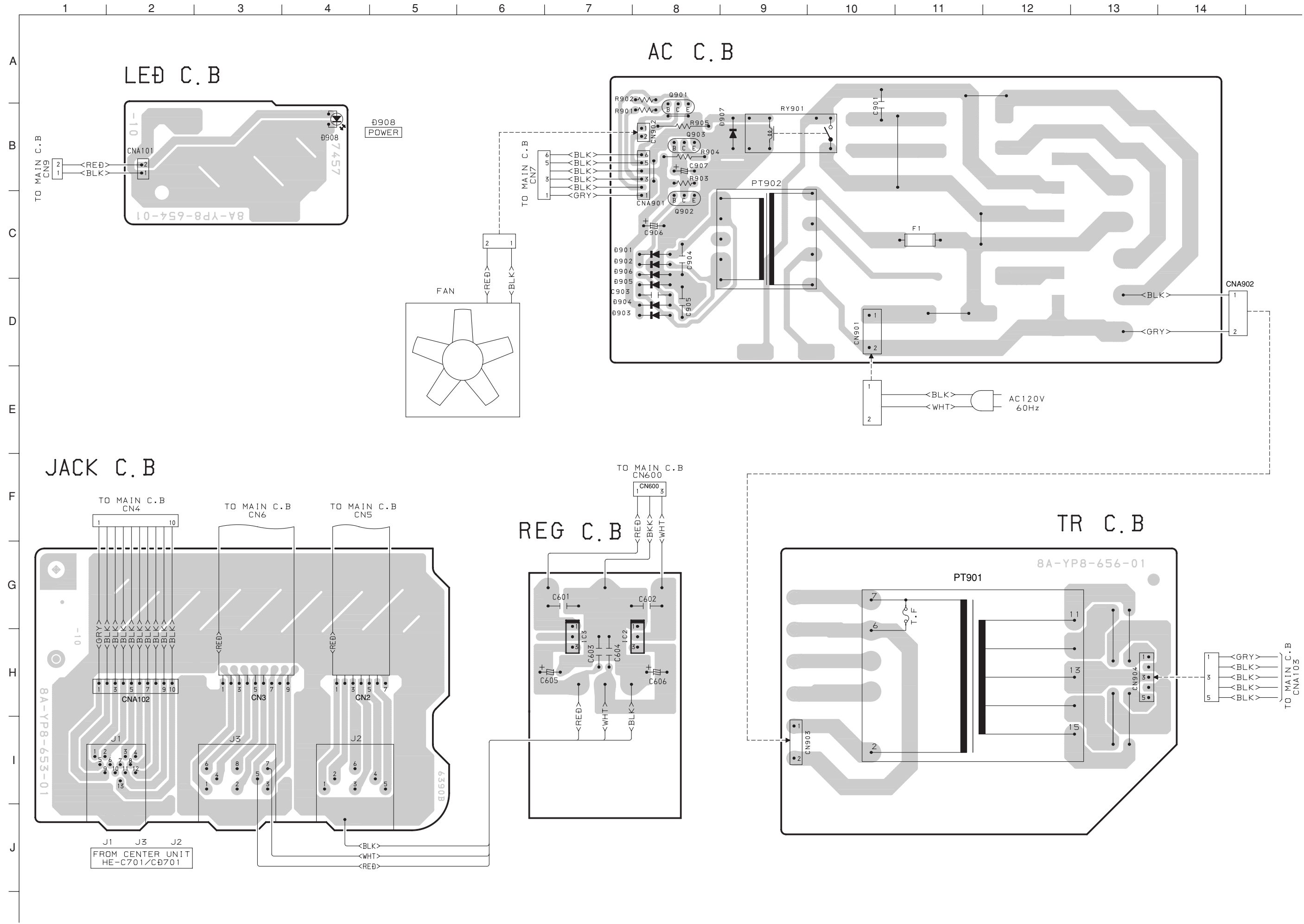
WIRING-2 [HE-C701] (REAR-TOP, REAR-BOTTOM C.B.)





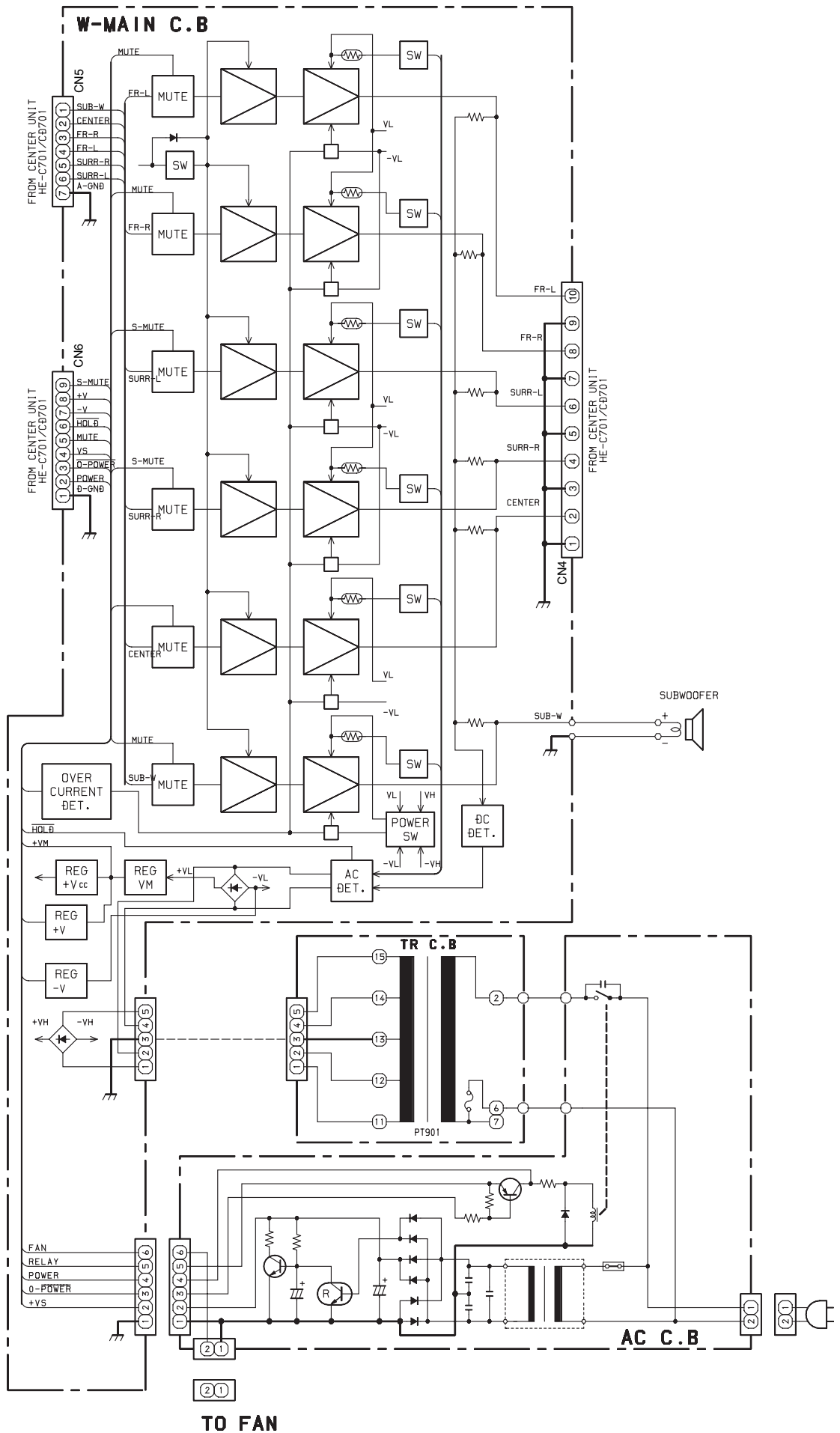








BLOCK DIAGRAM-2 [TS-W701]



TO FAN

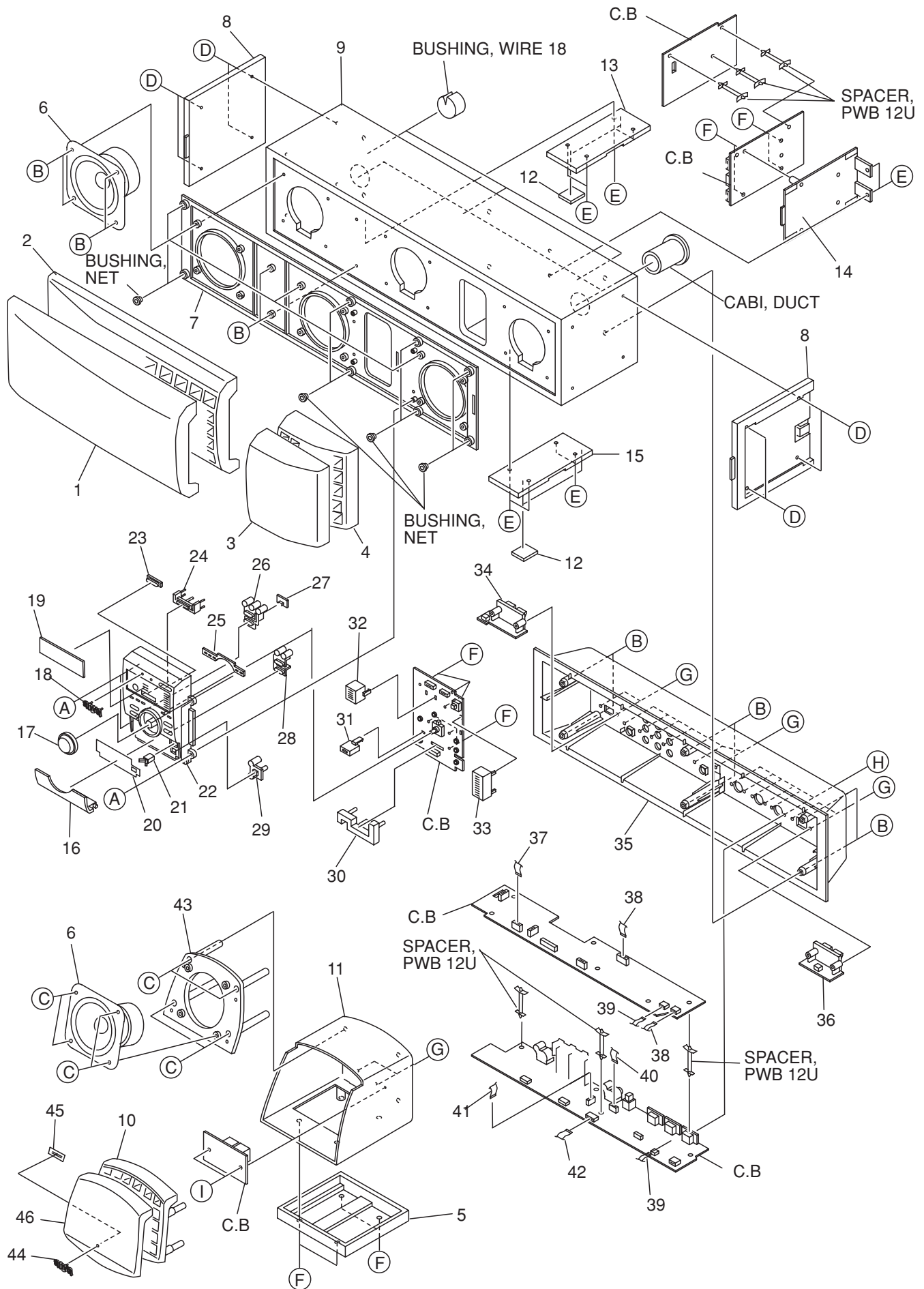
# IC DESCRIPTION

## IC, LC875132A

Pin No.	Pin Name	I/O	Description
1	DIMMER	O	Dimmer on output
2	NC	–	Not connected.
3	SUV	O	Vol control output for SURR L/R
4	CWV	O	Vol control output for CENTER/SUBWOOFER
5	WV	O	SUBWOOFER control output
6	NC	–	Not connected.
7	A-POW	O	System power on output
8	A-MUTE	O	Main mute output for L/R
9	REM	I	Remote control unit
10	RESET	I	Reset input
11	XT1	I	Power supply input
12	XT2	–	Not connected.
13	VSS1	–	GND
14	CF1	I	8 MHz oscillator circuit
15	CF2	O	8 MHz oscillator circuit
16	VDD1	—	Power supply input
17	K-SW	I	Key input
18	VOL1	I	Reotary encoder input
19	VOL2	I	Reotary encoder input
20	NC	—	Not connected.
21	NC	—	Not connected.
22	NC	—	Not connected.
23	$\overline{\text{HOLD}}$	I	Power failure detected input "L" to stop clock and hold memory
24	MPOSW	I	Power sw input
25	QS	O	Qsurround on output
26	SURR-MUTE	O	Surround/center mute output
27	CLK	O	Clock output for function
28	DATA	O	Data output for function
29	LATCH	O	Latch output for function
30	AD/CS	O	Chip select output for CS4226
31	SDA	I	Serial data input for CS4226
32	SO	I	Serial data output for CS4226
33	SCK	O	Clock output for YSS248
34	CS	O	Chip select output for YSS248
35	SI	O	Serial data input for YSS248
36	D30	O	WOOFER LED output
37	D31	O	TREBLE LED output
38	NC	—	Not connected.
39	NC	—	Not connected.
40	NC	—	Not connected.
41	NC	—	Not connected.

Pin No.	Pin Name	I/O	Description
42	NC	–	Not connected.
43	NC	–	Not connected.
44	VDD1	–	Power supply input
45	VSS2	–	GND
46	D1	O	RC STANDBY LED output
47	D2	O	INPUT 1 LED output
48	D3	O	INPUT 2 LED output
49	D4	O	DIGITAL LED output
50	D5	O	MUTE LED output
51	D6	O	DOLBY DIGITAL LED output
52	D7	O	2CH DOWN MIX LED output
53	D8	O	DOLBY PRO LOGIC LED output
54	SYNC-DET	I	Sync detector input for OSD
55	CE	O	Chip enable for OSD
56	CLK	O	Clock output for OSD
57	DATA	O	Data output for OSD
58	D9	O	Q-SURROUND LED output
59	D10	O	OVER LEVE LED output
60	D11	O	LEVEL LED output
61	D12	O	LEVEL LED output
62	D13	O	LEVEL LED output
63	D14	O	LEVEL LED output
64	D15	O	LEVEL LED output
65	D16	O	LEVEL LED output
66	D17	O	LEVEL LED output
67	D18	O	LEVEL LED output
68	D19	O	LEVEL LED output
69	D21	O	SUB WOOFER LED output
70	VSS3	–	GND
71	VDD1	–	Power supply input
72	D22	O	L LED output
73	D23	O	CENTER LED output
74	D24	O	R LED output
75	D25	O	SR LED output
76	D26	O	SL LED output
77	D27	O	DELAY LED output
78	D28	O	LFE LED output
79	D29	O	MIDNIGHT LED output
80	D20	O	STEREO LED output

# MECHANICAL EXPLODED VIEW 1/1 [HE-C701]



# MECHANICAL MAIN PARTS LIST 1/1 [HE-C701]

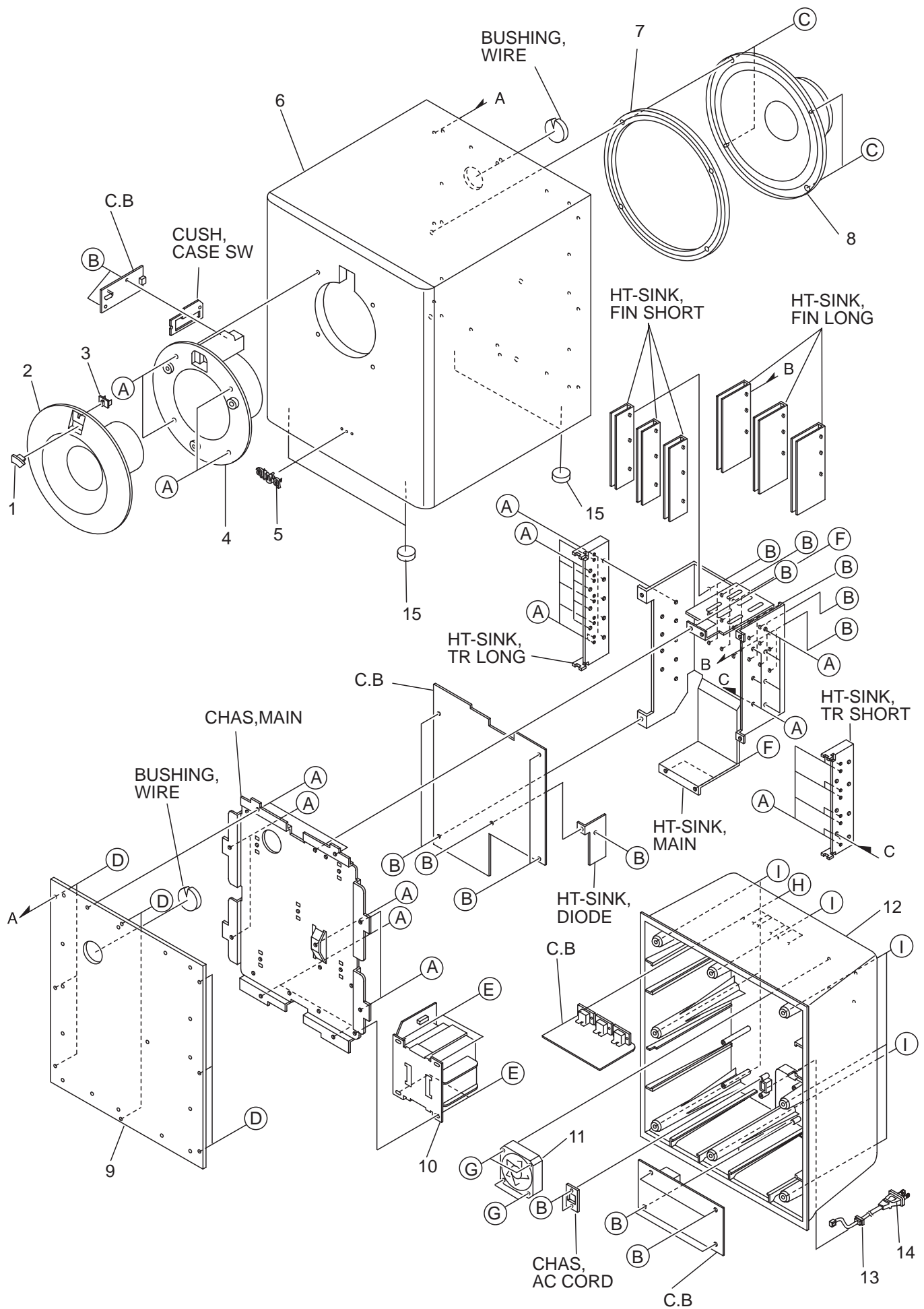
DESCRIPTIONで判断できない物は "REFERENCE NAME LIST" を参照してください。  
 If can't understand for Description please kindly refer to "REFERENCE NAME LIST".

REF. NO	PART NO.	KANRI NO.	DESCRIPTION	REF. NO	PART NO.	KANRI NO.	DESCRIPTION
1	8A-YP1-034-010		CLOTH,FRAME L ST	31	8A-YP1-227-010		HLDR,LED Q SUR
2	8A-YP1-201-010		CABI,FRAME L	32	8A-YP1-210-010		HLDR,LED SUB
3	8A-YP1-035-010		CLOTH,FRAME R ST	33	8A-YP1-209-010		HLDR,LED MAIN
4	8A-YP1-202-010		CABI,FRAME R	34	87-A61-208-010		TERMINAL,SPKR 2P HSP-102V-01
5	8A-YP1-038-010		CABI,BASE SURROUND ST	35	8A-YP1-001-010		CABI,REAR CENTER
6	8A-YP1-613-010		SPKR,88 60HM	36	87-A61-209-010		TERMINAL,SPKR 2P HSP-102H-01
7	8A-YP1-203-010		CABI,BAFFLE	37	88-904-351-210		FF-CABLE,4P 350
8	8A-YP1-026-010		HLDR,SURROUND ST	38	88-907-301-210		FF-CABLE, 7P 300
9	8A-YP1-025-010		CABI,WOOD BOX CENTER ST	39	88-904-301-210		FF-CABLE,4P 1.25 300MM
10	8A-YP1-204-010		CABI,FRAME SURROUND	40	88-904-101-210		FF-CABLE,4P 1.25 100MM
11	8A-YP1-037-010		CABI,REAR SURROUND ST	41	88-907-201-210		FF-CABLE, 7P 1.25 200MM
12	8A-YP1-215-010		FOOT,RUBBER	42	88-912-201-210		FF-CABLE, 4P 100MM
13	8A-YP1-214-010		HLDR,FOOT	43	8A-YP1-205-010		CABI,BAFFLE SURROUND
14	8A-YP1-208-010		HLDR,PWB	44	8A-YP1-041-010		BADGE,AIWA 30 SIL 1P
15	8A-YP1-235-010		HLDR,FOOT R	45	8A-YP1-222-010		NUT,BADGE
16	8A-YP1-048-010		LID,PANEL HTST	46	8A-YP1-039-010		CLOTH,FRAME SURROUND ST
17	8A-YP1-032-010		KNOB,RTRY VOL ST	A	87-751-076-410		SCREW 2.6-12
18	87-B00-010-010		BADGE,AIWA 30.5-5.2 S 2.5L	B	8Z-YP1-233-010		SW+3.5-20
19	8A-YP1-006-110		WINDOW,PANEL	C	87-761-099-410		TAPPING SCREW, VFT2+3-15 (GLD)
20	8A-YP1-019-010		PLATE,PANEL	D	8A-YP1-218-010		QW+3.5-12 BLK
21	87-064-108-110		HLDR,NC LUTCH	E	8Z-YP1-231-010		SW+3.5-12
22	8A-YP1-027-110		PANEL,FRONT ST	F	87-067-703-010		TAPPING SCREW, BVT2+3-10
23	8A-YP1-033-110		BTN,POWER ST	G	87-067-761-010		TAPPING SCREW, BVT2+3-10
24	8A-YP1-029-010		BTN,KNOB TACT DOLBY ST	H	87-263-074-410		V+2.6-8 BLK
25	8A-YP1-008-010		WINDOW,LED COMB	I	87-067-632-010		TAPPING SCREW, BVT2+3-15
26	8A-YP1-031-010		BTN,KNOB TACT FUN ST				
27	8A-YP1-013-010		WINDOW,LED Q SUR				
28	8A-YP1-030-010		BTN,KNOB TACT VOL ST				
29	8A-YP1-042-010		BTN,KNOB TACT SEL ST				
30	8A-YP1-211-010		HLDR,LED LID				

## COLOR NAME TABLE

Basic color symbol	Color	Basic color symbol	Color	Basic color symbol	Color
B	Black	C	Cream	D	Orange
G	Green	H	Gray	L	Blue
LT	Transparent Blue	N	Gold	P	Pink
R	Red	S	Silver	ST	Titan Silver
T	Brown	V	Violet	W	White
WT	Transparent White	Y	Yellow	YT	Transparent Yellow
LM	Metallic Blue	LL	Light Blue	GT	Transparent Green
LD	Dark Blue	DT	Transparent Orange		

MECHANICAL EXPLODED VIEW 1/1 [TS-W701]



# MECHANICAL MAIN PARTS LIST 1/1 [TS-W701]

DESCRIPTIONで判断できない物は "REFERENCE NAME LIST" を参照してください。  
 If can't understand for Description please kindly refer to "REFERENCE NAME LIST".

REF. NO	PART NO.	KANRI NO.	DESCRIPTION
1	8A-YP8-010-010		COVER SW
2	8A-YP8-002-010		PANEL, DUCT W701
3	8A-YP1-006-010		WINDOW, LED
4	8A-YP8-210-010		CASE, SW ST
5	8A-YP8-009-010		BADGE, AIWA N44 SILVER
6	8A-YP8-007-010		CABI, WOOD ST
7	8Z-YP1-202-010		RING, SPKR
8	8A-YP8-662-010		SPKR, 200 6OHM
9	8A-YP8-208-010		BOARD, WOOD
△	10	8A-YP8-658-010	PT, U
11	87-A90-796-010		FAN, F614R-12MC
12	8A-YP8-001-010		CABI, REAR WOOFER
△	13	87-085-207-010	BUSHING, AC CORD 222Y2104-80
△	14	8Z-YP1-624-010	AC CORD ASSY, U SPT 2W
15	8Z-YP1-212-010		FOOT, BOX
A	8Z-YP1-231-010		SW+3.5-12
B	87-067-703-010		TAPPING SCREW, BVT2+3-10
C	8Z-YP1-232-010		UT1+4-20
D	87-YP4-211-010		SW+3.5-22
E	87-078-019-010		S-SCREW, IT+4-6
F	87-067-689-010		TAPPING SCREW, BVTT+3-8
G	87-067-873-010		BVT2+3-25 W/O SLOT
H	87-263-074-410		V+2.6-8 BLK
I	8Z-YP1-233-010		SW+3.5-20

## COLOR NAME TABLE

Basic color symbol	Color	Basic color symbol	Color	Basic color symbol	Color
B	Black	C	Cream	D	Orange
G	Green	H	Gray	L	Blue
LT	Transparent Blue	N	Gold	P	Pink
R	Red	S	Silver	ST	Titan Silver
T	Brown	V	Violet	W	White
WT	Transparent White	Y	Yellow	YT	Transparent Yellow
LM	Metallic Blue	LL	Light Blue	GT	Transparent Green
LD	Dark Blue	DT	Transparent Orange		

アイワ株式会社 〒110-8710 東京都台東区池之端1-2-11 ☎03(3827)3111 (代表)  
**AIWA CO.,LTD.** 2-11, IKENOHATA 1-CHOME, TAITO-KU, TOKYO 110, JAPAN TEL:03 (3827) 3111