



XR-M130 XR-M150

HT

G

SERVICE MANUAL

COMPACT DISC
STEREO SYSTEM

BASIC CD MECHANISM: 3ZG-3 E2NF
BASIC TAPE MECHANISM: 2ZM-1 R8NF

- Replace this Service manual with "Revision Publishing" when it is issued.

aiwa
S/M Code No. 09-006-426-2T3

SIMPLE

DATA

PARTS LIST

! = Δ SAFTY PARTS
 C = Components marked

All components used on this model at the production line are shown in this service manual.

However, please note that not all components will be available as spare parts for after-sales service.

Components marked S and O are designated as spare parts for service and will be stocked at the spare parts centers.

Components marked X and R are not designated as spare parts for after sales service, and will not be stocked at the spare parts centers.

K NO. = Only use japanese.

! C	UNIT NAME	REF NO.	PARTS CODE	K NO.	DESCRIPTION	SUFFIX	MODEL NAME
O	ACCESSORY		87-043-115-010	1A	FEEDER-ANT, FM	HTSF	XR-M130
O	ACCESSORY		87-A90-030-010	1B	ANT, LOOP AM-NC C	HTSF	XR-M130
O	ACCESSORY		87-A90-030-010	1B	ANT, LOOP AM-NC C	GSF	XR-M150
O	ACCESSORY		87-A90-118-010	0E	ANT, WIRE FM(Z)	GSF	XR-M150
O	ACCESSORY		87-A91-017-010	1A	PLUG, CONVERSION JT-0476	HTSF	XR-M130
O	ACCESSORY		8A-CLB-961-110	1H	RC UNIT, RC-AAT11	HTSF	XR-M130
O	ACCESSORY		8A-CLB-961-110	1H	RC UNIT, RC-AAT11	GSF	XR-M150
X	ACCESSORY	*	8A-CL9-951-110	--	SPKR, SX-M130	HTSF	XR-M130
X	ACCESSORY	*	8A-CL9-952-110	--	SPKR, SX-M150	GSF	XR-M150
O	APPEARANCE		8A-CL9-003-210	1H	CABI, FR SI-MB	HTSF	XR-M130
O	APPEARANCE		8A-CL9-003-210	1H	CABI, FR SI-MB	GSF	XR-M150
O	APPEARANCE		8A-CL9-018-010	1B	PANEL, REAR HTSF	HTSF	XR-M130
O	APPEARANCE		8A-CL9-020-010	1B	PANEL, REAR GSF	GSF	XR-M150
X	APPEARANCE		8A-CL9-032-010	--	FRAME, TRAY	HTSF	XR-M130
X	APPEARANCE		8A-CL9-032-010	--	FRAME, TRAY	GSF	XR-M150
O	APPEARANCE		8A-CL9-033-010	1B	PANEL, TRAY SG A	HTSF	XR-M130
O	APPEARANCE		8A-CL9-033-010	1B	PANEL, TRAY SG A	GSF	XR-M150
X	APPEARANCE		8A-CL9-034-010	--	PANEL, TRAY SG	HTSF	XR-M130
X	APPEARANCE		8A-CL9-034-010	--	PANEL, TRAY SG	GSF	XR-M150
O	APPEARANCE		8A-CL9-046-010	1C	BOX, CASS M150	GSF	XR-M150
O	APPEARANCE		8A-CL9-047-010	1C	BOX, CASS M130	HTSF	XR-M130
O	APPEARANCE	*	8A-CL9-026-010	1E	CABI, TOP	HTSF	XR-M130
O	APPEARANCE	*	8A-CL9-026-010	1E	CABI, TOP	GSF	XR-M150
X	CD		M8-3ZG-389-040	--	3ZG-3 E2NF	HTSF	XR-M130
X	CD		M8-3ZG-389-040	--	3ZG-3 E2NF	GSF	XR-M150
X	CD	*	8A-CL9-615-110	1C	PWB, CD -2M	HTSF	XR-M130
X	CD	*	8A-CL9-615-110	1C	PWB, CD -2M	GSF	XR-M150
O	CD	C 0001	87-010-403-080	0E	CAP, E 3.3-50 M 11L SME	HTSF	XR-M130
O	CD	C 0001	87-010-403-080	0E	CAP, E 3.3-50 M 11L SME	GSF	XR-M150
O	CD	C 0002	87-010-197-080	0E	C-CAP, S 0.01-25 K B C2012	HTSF	XR-M130
O	CD	C 0002	87-010-197-080	0E	C-CAP, S 0.01-25 K B C2012	GSF	XR-M150
O	CD	C 0003	87-010-263-080	0E	CAP, E 100-10 M 11L SME	HTSF	XR-M130
O	CD	C 0003	87-010-263-080	0E	CAP, E 100-10 M 11L SME	GSF	XR-M150
O	CD	C 0004	87-010-248-080	0E	CAP, E 220-10 M 11L SME	HTSF	XR-M130
O	CD	C 0004	87-010-248-080	0E	CAP, E 220-10 M 11L SME	GSF	XR-M150
O	CD	C 0005	87-010-197-080	0E	C-CAP, S 0.01-25 K B C2012	HTSF	XR-M130
O	CD	C 0005	87-010-197-080	0E	C-CAP, S 0.01-25 K B C2012	GSF	XR-M150
O	CD	C 0006	87-010-374-080	0E	CAP, E 47-10 M 11L SME	HTSF	XR-M130
O	CD	C 0006	87-010-374-080	0E	CAP, E 47-10 M 11L SME	GSF	XR-M150
O	CD	C 0007	87-012-349-080	0E	C-CAP, S 1000P-50 J CH GRM	HTSF	XR-M130
O	CD	C 0007	87-012-349-080	0E	C-CAP, S 1000P-50 J CH GRM	GSF	XR-M150
O	CD	C 0008	87-010-198-080	0E	C-CAP, S 0.022-25 K B C2012	HTSF	XR-M130
O	CD	C 0008	87-010-198-080	0E	C-CAP, S 0.022-25 K B C2012	GSF	XR-M150
O	CD	C 0009	87-010-263-080	0E	CAP, E 100-10 M 11L SME	HTSF	XR-M130
O	CD	C 0009	87-010-263-080	0E	CAP, E 100-10 M 11L SME	GSF	XR-M150
O	CD	C 0010	87-010-263-080	0E	CAP, E 100-10 M 11L SME	HTSF	XR-M130
O	CD	C 0010	87-010-263-080	0E	CAP, E 100-10 M 11L SME	GSF	XR-M150
X	CD	C 0011	88-707-789-810	0E	CAP, M 0.33-50 J TF ECQ	HTSF	XR-M130
X	CD	C 0011	88-707-789-810	0E	CAP, M 0.33-50 J TF ECQ	GSF	XR-M150
O	CD	C 0012	87-010-401-080	0E	CAP, E 1-50 M 11L SME	HTSF	XR-M130
O	CD	C 0012	87-010-401-080	0E	CAP, E 1-50 M 11L SME	GSF	XR-M150
O	CD	C 0013	87-010-197-080	0E	C-CAP, S 0.01-25 K B C2012	HTSF	XR-M130
O	CD	C 0013	87-010-197-080	0E	C-CAP, S 0.01-25 K B C2012	GSF	XR-M150
O	CD	C 0014	87-010-405-080	0E	CAP, E 10-50 M 11L SME	HTSF	XR-M130
O	CD	C 0014	87-010-405-080	0E	CAP, E 10-50 M 11L SME	GSF	XR-M150
O	CD	C 0016	87-010-545-080	0E	CAP, E 0.22-50 M 11L SME	HTSF	XR-M130
O	CD	C 0016	87-010-545-080	0E	CAP, E 0.22-50 M 11L SME	GSF	XR-M150
O	CD	C 0017	87-012-349-080	0E	C-CAP, S 1000P-50 J CH GRM	HTSF	XR-M130
O	CD	C 0017	87-012-349-080	0E	C-CAP, S 1000P-50 J CH GRM	GSF	XR-M150
O	CD	C 0018	87-010-213-080	0E	C-CAP, S 0.015-25 K B GRM	HTSF	XR-M130
O	CD	C 0018	87-010-213-080	0E	C-CAP, S 0.015-25 K B GRM	GSF	XR-M150
X	CD	C 0019	88-707-789-810	0E	CAP, M 0.33-50 J TF ECQ	HTSF	XR-M130
X	CD	C 0019	88-707-789-810	0E	CAP, M 0.33-50 J TF ECQ	GSF	XR-M150
O	CD	C 0020	87-010-193-080	0E	C-CAP, S 0.033-25 Z F C2012	HTSF	XR-M130
O	CD	C 0020	87-010-193-080	0E	C-CAP, S 0.033-25 Z F C2012	GSF	XR-M150
O	CD	C 0021	87-A10-306-080	0E	CAP, M 0.082-50 J	HTSF	XR-M130
O	CD	C 0021	87-A10-306-080	0E	CAP, M 0.082-50 J	GSF	XR-M150
O	CD	C 0023	87-010-992-080	0E	C-CAP, S 0.047-25 K B MK212	HTSF	XR-M130
O	CD	C 0023	87-010-992-080	0E	C-CAP, S 0.047-25 K B MK212	GSF	XR-M150
X	CD	C 0026	88-700-930-810	0E	CAP, M 0.22-50 J LDS	HTSF	XR-M130

PARTS LIST

! = Δ SAFTY PARTS
 C = Components marked

All components used on this model at the production line are shown in this service manual.

However, please note that not all components will be available as spare parts for after-sales service.

Components marked S and O are designated as spare parts for service and will be stocked at the spare parts centers.

Components marked X and R are not designated as spare parts for after sales service, and will not be stocked at the spare parts centers.

K NO. = Only use japanese.

! C	UNIT NAME	REF NO.	PARTS CODE	K NO.	DESCRIPTION	SUFFIX	MODEL NAME
X	CD	C 0026	88-700-930-810	0E	CAP,M 0.22-50 J LDS	GSF	XR-M150
X	CD	C 0028	88-266-810-810	0E	CAP,SC 0.01-25 K SR DD400	HTSF	XR-M130
X	CD	C 0028	88-266-810-810	0E	CAP,SC 0.01-25 K SR DD400	GSF	XR-M150
O	CD	C 0029	87-010-186-080	0E	C-CAP,S 4700P-50 K B C2012	HTSF	XR-M130
O	CD	C 0029	87-010-186-080	0E	C-CAP,S 4700P-50 K B C2012	GSF	XR-M150
O	CD	C 0030	87-012-156-080	0E	C-CAP,S 220P-50 J CH GRM	HTSF	XR-M130
O	CD	C 0030	87-012-156-080	0E	C-CAP,S 220P-50 J CH GRM	GSF	XR-M150
O	CD	C 0031	87-010-545-080	0E	CAP,E 0.22-50 M 11L SME	HTSF	XR-M130
O	CD	C 0031	87-010-545-080	0E	CAP,E 0.22-50 M 11L SME	GSF	XR-M150
O	CD	C 0032	87-010-374-080	0E	CAP,E 47-10 M 11L SME	HTSF	XR-M130
O	CD	C 0032	87-010-374-080	0E	CAP,E 47-10 M 11L SME	GSF	XR-M150
O	CD	C 0033	87-010-401-080	0E	CAP,E 1-50 M 11L SME	HTSF	XR-M130
O	CD	C 0033	87-010-401-080	0E	CAP,E 1-50 M 11L SME	GSF	XR-M150
O	CD	C 0034	87-010-182-080	0E	C-CAP,S 2200P-50 K B C2012	HTSF	XR-M130
O	CD	C 0034	87-010-182-080	0E	C-CAP,S 2200P-50 K B C2012	GSF	XR-M150
O	CD	C 0035	87-010-197-080	0E	C-CAP,S 0.01-25 K B C2012	HTSF	XR-M130
O	CD	C 0035	87-010-197-080	0E	C-CAP,S 0.01-25 K B C2012	GSF	XR-M150
O	CD	C 0036	87-010-374-080	0E	CAP,E 47-10 M 11L SME	HTSF	XR-M130
O	CD	C 0036	87-010-374-080	0E	CAP,E 47-10 M 11L SME	GSF	XR-M150
O	CD	C 0037	87-010-405-080	0E	CAP,E 10-50 M 11L SME	HTSF	XR-M130
O	CD	C 0037	87-010-405-080	0E	CAP,E 10-50 M 11L SME	GSF	XR-M150
O	CD	C 0038	87-010-196-080	0E	C-CAP,S 0.1-25 Z F C2012	HTSF	XR-M130
O	CD	C 0038	87-010-196-080	0E	C-CAP,S 0.1-25 Z F C2012	GSF	XR-M150
O	CD	C 0039	87-012-349-080	0E	C-CAP,S 1000P-50 J CH GRM	HTSF	XR-M130
O	CD	C 0039	87-012-349-080	0E	C-CAP,S 1000P-50 J CH GRM	GSF	XR-M150
O	CD	C 0040	87-010-148-080	0E	C-CAP,S 4P-50 C CH GRM	HTSF	XR-M130
O	CD	C 0040	87-010-148-080	0E	C-CAP,S 4P-50 C CH GRM	GSF	XR-M150
O	CD	C 0041	87-A10-294-080	0E	CAP,M 8200P-50 J	HTSF	XR-M130
O	CD	C 0041	87-A10-294-080	0E	CAP,M 8200P-50 J	GSF	XR-M150
O	CD	C 0042	87-010-313-080	0E	C-CAP,S 18P-50 J CH GRM	HTSF	XR-M130
O	CD	C 0042	87-010-313-080	0E	C-CAP,S 18P-50 J CH GRM	GSF	XR-M150
O	CD	C 0045	87-010-196-080	0E	C-CAP,S 0.1-25 Z F C2012	HTSF	XR-M130
O	CD	C 0045	87-010-196-080	0E	C-CAP,S 0.1-25 Z F C2012	GSF	XR-M150
O	CD	C 0046	87-010-196-080	0E	C-CAP,S 0.1-25 Z F C2012	HTSF	XR-M130
O	CD	C 0046	87-010-196-080	0E	C-CAP,S 0.1-25 Z F C2012	GSF	XR-M150
O	CD	C 0047	87-010-196-080	0E	C-CAP,S 0.1-25 Z F C2012	HTSF	XR-M130
O	CD	C 0047	87-010-196-080	0E	C-CAP,S 0.1-25 Z F C2012	GSF	XR-M150
O	CD	C 0048	87-010-315-080	0E	C-CAP,S 27P-50 J CH GRM	HTSF	XR-M130
O	CD	C 0048	87-010-315-080	0E	C-CAP,S 27P-50 J CH GRM	GSF	XR-M150
O	CD	C 0050	87-012-140-080	0E	C-CAP,S 470P-50 J CH	HTSF	XR-M130
O	CD	C 0050	87-012-140-080	0E	C-CAP,S 470P-50 J CH	GSF	XR-M150
O	CD	C 0051	87-010-994-080	0E	C-CAP,S 680P-50 J CH	HTSF	XR-M130
O	CD	C 0051	87-010-994-080	0E	C-CAP,S 680P-50 J CH	GSF	XR-M150
O	CD	C 0057	87-010-316-080	0E	C-CAP,S 33P-50 J CH GRM	HTSF	XR-M130
O	CD	C 0057	87-010-316-080	0E	C-CAP,S 33P-50 J CH GRM	GSF	XR-M150
O	CD	C 0058	87-010-316-080	0E	C-CAP,S 33P-50 J CH GRM	HTSF	XR-M130
O	CD	C 0058	87-010-316-080	0E	C-CAP,S 33P-50 J CH GRM	GSF	XR-M150
O	CD	C 0059	87-010-263-080	0E	CAP,E 100-10 M 11L SME	HTSF	XR-M130
O	CD	C 0059	87-010-263-080	0E	CAP,E 100-10 M 11L SME	GSF	XR-M150
O	CD	C 0060	87-010-196-080	0E	C-CAP,S 0.1-25 Z F C2012	HTSF	XR-M130
O	CD	C 0060	87-010-196-080	0E	C-CAP,S 0.1-25 Z F C2012	GSF	XR-M150
O	CD	C 0061	87-010-196-080	0E	C-CAP,S 0.1-25 Z F C2012	HTSF	XR-M130
O	CD	C 0061	87-010-196-080	0E	C-CAP,S 0.1-25 Z F C2012	GSF	XR-M150
O	CD	C 0062	87-010-370-080	0E	CAP,E 330-6.3 M SME	HTSF	XR-M130
O	CD	C 0062	87-010-370-080	0E	CAP,E 330-6.3 M SME	GSF	XR-M150
O	CD	C 0065	87-010-404-080	0E	CAP,E 4.7-50 M 11L SME	HTSF	XR-M130
O	CD	C 0065	87-010-404-080	0E	CAP,E 4.7-50 M 11L SME	GSF	XR-M150
O	CD	C 0066	87-010-196-080	0E	C-CAP,S 0.1-25 Z F C2012	HTSF	XR-M130
O	CD	C 0066	87-010-196-080	0E	C-CAP,S 0.1-25 Z F C2012	GSF	XR-M150
O	CD	C 0067	87-010-263-080	0E	CAP,E 100-10 M 11L SME	HTSF	XR-M130
O	CD	C 0067	87-010-263-080	0E	CAP,E 100-10 M 11L SME	GSF	XR-M150
X	CD	C 0071	88-266-910-810	0E	CAP,SC 0.1-25 K SR DD400	HTSF	XR-M130
X	CD	C 0071	88-266-910-810	0E	CAP,SC 0.1-25 K SR DD400	GSF	XR-M150
X	CD	C 0072	88-266-910-810	0E	CAP,SC 0.1-25 K SR DD400	HTSF	XR-M130
X	CD	C 0072	88-266-910-810	0E	CAP,SC 0.1-25 K SR DD400	GSF	XR-M150
X	CD	C 0073	88-266-910-810	0E	CAP,SC 0.1-25 K SR DD400	HTSF	XR-M130
X	CD	C 0073	88-266-910-810	0E	CAP,SC 0.1-25 K SR DD400	GSF	XR-M150
X	CD	C 0074	88-266-910-810	0E	CAP,SC 0.1-25 K SR DD400	HTSF	XR-M130
X	CD	C 0074	88-266-910-810	0E	CAP,SC 0.1-25 K SR DD400	GSF	XR-M150
O	CD	C 0075	87-010-197-080	0E	C-CAP,S 0.01-25 K B C2012	HTSF	XR-M130

PARTS LIST

! = SAFETY PARTS
 C = Components marked

All components used on this model at the production line are shown in this service manual.

However, please note that not all components will be available as spare parts for after-sales service.

Components marked S and O are designated as spare parts for service and will be stocked at the spare parts centers.

Components marked X and R are not designated as spare parts for after sales service, and will not be stocked at the spare parts centers.

K NO. = Only use Japanese.

! C	UNIT NAME	REF NO.	PARTS CODE	K NO.	DESCRIPTION	SUFFIX	MODEL NAME
O	CD	C 0075	87-010-197-080	0E	C-CAP,S 0.01-25 K B C2012	GSF	XR-M150
O	CD	C 0076	87-A10-102-080	0E	CAP,E 1000-10 REA	HTSF	XR-M130
O	CD	C 0076	87-A10-102-080	0E	CAP,E 1000-10 REA	GSF	XR-M150
O	CD	C 0077	87-010-263-080	0E	CAP,E 100-10 M 11L SME	HTSF	XR-M130
O	CD	C 0077	87-010-263-080	0E	CAP,E 100-10 M 11L SME	GSF	XR-M150
O	CD	C 0078	87-010-197-080	0E	C-CAP,S 0.01-25 K B C2012	HTSF	XR-M130
O	CD	C 0078	87-010-197-080	0E	C-CAP,S 0.01-25 K B C2012	GSF	XR-M150
O	CD	C 0079	87-010-197-080	0E	C-CAP,S 0.01-25 K B C2012	HTSF	XR-M130
O	CD	C 0079	87-010-197-080	0E	C-CAP,S 0.01-25 K B C2012	GSF	XR-M150
O	CD	C 0080	87-010-112-080	0E	CAP,E 100-16 M 11L SME	HTSF	XR-M130
O	CD	C 0080	87-010-112-080	0E	CAP,E 100-16 M 11L SME	GSF	XR-M150
O	CD	C 0081	87-010-405-080	0E	CAP,E 10-50 M 11L SME	HTSF	XR-M130
O	CD	C 0081	87-010-405-080	0E	CAP,E 10-50 M 11L SME	GSF	XR-M150
O	CD	C 0082	87-010-405-080	0E	CAP,E 10-50 M 11L SME	HTSF	XR-M130
O	CD	C 0082	87-010-405-080	0E	CAP,E 10-50 M 11L SME	GSF	XR-M150
O	CD	C 0083	87-010-181-080	0E	C-CAP,S 1800P-50 K B GRM	HTSF	XR-M130
O	CD	C 0083	87-010-181-080	0E	C-CAP,S 1800P-50 K B GRM	GSF	XR-M150
O	CD	C 0084	87-010-181-080	0E	C-CAP,S 1800P-50 K B GRM	HTSF	XR-M130
O	CD	C 0084	87-010-181-080	0E	C-CAP,S 1800P-50 K B GRM	GSF	XR-M150
O	CD	C 0090	87-010-197-080	0E	C-CAP,S 0.01-25 K B C2012	HTSF	XR-M130
O	CD	C 0090	87-010-197-080	0E	C-CAP,S 0.01-25 K B C2012	GSF	XR-M150
O	CD	C 0091	87-010-404-080	0E	CAP,E 4.7-50 M 11L SME	HTSF	XR-M130
O	CD	C 0091	87-010-404-080	0E	CAP,E 4.7-50 M 11L SME	GSF	XR-M150
O	CD	C 0092	87-010-387-080	1A	CAP,E 470-25 M SME	HTSF	XR-M130
O	CD	C 0092	87-010-387-080	1A	CAP,E 470-25 M SME	GSF	XR-M150
O	CD	C 0093	87-010-197-080	0E	C-CAP,S 0.01-25 K B C2012	HTSF	XR-M130
O	CD	C 0093	87-010-197-080	0E	C-CAP,S 0.01-25 K B C2012	GSF	XR-M150
O	CD	C 0094	87-010-197-080	0E	C-CAP,S 0.01-25 K B C2012	HTSF	XR-M130
O	CD	C 0094	87-010-197-080	0E	C-CAP,S 0.01-25 K B C2012	GSF	XR-M150
O	CD	C 0095	87-010-197-080	0E	C-CAP,S 0.01-25 K B C2012	HTSF	XR-M130
O	CD	C 0095	87-010-197-080	0E	C-CAP,S 0.01-25 K B C2012	GSF	XR-M150
O	CD	C 0096	87-010-221-080	0E	CAP,E 470-10 M SME	HTSF	XR-M130
O	CD	C 0096	87-010-221-080	0E	CAP,E 470-10 M SME	GSF	XR-M150
O	CD	C 0097	87-010-197-080	0E	C-CAP,S 0.01-25 K B C2012	HTSF	XR-M130
O	CD	C 0097	87-010-197-080	0E	C-CAP,S 0.01-25 K B C2012	GSF	XR-M150
O	CD	C 0098	87-012-154-080	0E	C-CAP,S 150P-50 J CH GRM	HTSF	XR-M130
O	CD	C 0098	87-012-154-080	0E	C-CAP,S 150P-50 J CH GRM	GSF	XR-M150
O	CD	C 0104	87-010-322-080	0E	C-CAP,S 100P-50 J CH GRM	HTSF	XR-M130
O	CD	C 0104	87-010-322-080	0E	C-CAP,S 100P-50 J CH GRM	GSF	XR-M150
O	CD	C 0105	87-010-322-080	0E	C-CAP,S 100P-50 J CH GRM	HTSF	XR-M130
O	CD	C 0105	87-010-322-080	0E	C-CAP,S 100P-50 J CH GRM	GSF	XR-M150
O	CD	C 0110	87-010-196-080	0E	C-CAP,S 0.1-25 Z F C2012	HTSF	XR-M130
O	CD	C 0110	87-010-196-080	0E	C-CAP,S 0.1-25 Z F C2012	GSF	XR-M150
O	CD	C 0162	87-010-178-080	0E	C-CAP,S 1000P-50 K B C2012	HTSF	XR-M130
O	CD	C 0162	87-010-178-080	0E	C-CAP,S 1000P-50 K B C2012	GSF	XR-M150
!	O CD	CN 0001	87-A60-424-010	0E	CONN,16P V TOC-B	HTSF	XR-M130
!	O CD	CN 0001	87-A60-424-010	0E	CONN,16P V TOC-B	GSF	XR-M150
!	O CD	CN 0003	87-A60-131-010	0E	CONN,6P V FE	HTSF	XR-M130
!	O CD	CN 0003	87-A60-131-010	0E	CONN,6P V FE	GSF	XR-M150
!	O CD	CN 0004	87-099-032-010	0E	CONN,15P H BLK 6216	HTSF	XR-M130
!	O CD	CN 0004	87-099-032-010	0E	CONN,15P H BLK 6216	GSF	XR-M150
O	CD	CN 0006	87-A60-153-010	0E	CONN,5P H FE	HTSF	XR-M130
O	CD	CN 0006	87-A60-153-010	0E	CONN,5P H FE	GSF	XR-M150
S	CD	D 0001	87-020-465-080	0E	DIODE,1SS133	HTSF	XR-M130
S	CD	D 0001	87-020-465-080	0E	DIODE,1SS133	GSF	XR-M150
S	CD	D 0002	87-020-465-080	0E	DIODE,1SS133	HTSF	XR-M130
S	CD	D 0002	87-020-465-080	0E	DIODE,1SS133	GSF	XR-M150
S	CD	D 0012	87-020-465-080	0E	DIODE,1SS133	HTSF	XR-M130
S	CD	D 0012	87-020-465-080	0E	DIODE,1SS133	GSF	XR-M150
S	CD	D 0013	87-A40-270-080	0E	C-DIODE,MC2838	HTSF	XR-M130
S	CD	D 0013	87-A40-270-080	0E	C-DIODE,MC2838	GSF	XR-M150
S	CD	IC 0001	87-A20-446-010	1E	C-IC,LA9241ML	HTSF	XR-M130
S	CD	IC 0001	87-A20-446-010	1E	C-IC,LA9241ML	GSF	XR-M150
S	CD	IC 0002	87-A20-459-010	2A	C-IC,LC78622ED	HTSF	XR-M130
S	CD	IC 0002	87-A20-459-010	2A	C-IC,LC78622ED	GSF	XR-M150
S	CD	IC 0004	87-A20-157-010	1E	IC,TA2092N	HTSF	XR-M130
S	CD	IC 0004	87-A20-157-010	1E	IC,TA2092N	GSF	XR-M150
S	CD	IC 0006	87-001-536-010	1A	IC,NJM78M05FA	HTSF	XR-M130
S	CD	IC 0006	87-001-536-010	1A	IC,NJM78M05FA	GSF	XR-M150
S	CD	IC 0010	87-001-982-010	1B	IC,TA7291S	HTSF	XR-M130

PARTS LIST

! = Δ SAFTY PARTS
 C = Components marked

All components used on this model at the production line are shown in this service manual.

However, please note that not all components will be available as spare parts for after-sales service.

Components marked S and O are designated as spare parts for service and will be stocked at the spare parts centers.

Components marked X and R are not designated as spare parts for after sales service, and will not be stocked at the spare parts centers.

K NO. = Only use japanese.

! C	UNIT NAME	REF NO.	PARTS CODE	K NO.	DESCRIPTION	SUFFIX	MODEL NAME
S	CD	IC 0010	87-001-982-010	1B	IC,TA7291S	GSF	XR-M150
X	CD	JR 0100	88-129-000-080	0E	C-JUMPER, 3216	HTSF	XR-M130
X	CD	JR 0100	88-129-000-080	0E	C-JUMPER, 3216	GSF	XR-M150
X	CD	JR 0101	88-129-000-080	0E	C-JUMPER, 3216	HTSF	XR-M130
X	CD	JR 0101	88-129-000-080	0E	C-JUMPER, 3216	GSF	XR-M150
X	CD	JR 0151	88-118-000-080	0E	C-JUMPER, S	HTSF	XR-M130
X	CD	JR 0151	88-118-000-080	0E	C-JUMPER, S	GSF	XR-M150
X	CD	JR 0153	88-118-000-080	0E	C-JUMPER, S	HTSF	XR-M130
X	CD	JR 0153	88-118-000-080	0E	C-JUMPER, S	GSF	XR-M150
X	CD	JR 0154	88-129-000-080	0E	C-JUMPER, 3216	HTSF	XR-M130
X	CD	JR 0154	88-129-000-080	0E	C-JUMPER, 3216	GSF	XR-M150
X	CD	JR 0160	88-118-000-080	0E	C-JUMPER, S	HTSF	XR-M130
X	CD	JR 0160	88-118-000-080	0E	C-JUMPER, S	GSF	XR-M150
O	CD	JR 0161	83-XM1-617-080	0E	C-COIL, BK2125HM601	HTSF	XR-M130
O	CD	JR 0161	83-XM1-617-080	0E	C-COIL, BK2125HM601	GSF	XR-M150
X	CD	JR 0163	88-118-000-080	0E	C-JUMPER, S	HTSF	XR-M130
X	CD	JR 0163	88-118-000-080	0E	C-JUMPER, S	GSF	XR-M150
X	CD	JR 0164	88-118-000-080	0E	C-JUMPER, S	HTSF	XR-M130
X	CD	JR 0164	88-118-000-080	0E	C-JUMPER, S	GSF	XR-M150
X	CD	JR 0166	88-118-000-080	0E	C-JUMPER, S	HTSF	XR-M130
X	CD	JR 0166	88-118-000-080	0E	C-JUMPER, S	GSF	XR-M150
X	CD	JR 0167	88-129-000-080	0E	C-JUMPER, 3216	HTSF	XR-M130
X	CD	JR 0167	88-129-000-080	0E	C-JUMPER, 3216	GSF	XR-M150
X	CD	JR 0168	88-118-000-080	0E	C-JUMPER, S	HTSF	XR-M130
X	CD	JR 0168	88-118-000-080	0E	C-JUMPER, S	GSF	XR-M150
X	CD	JR 0169	88-118-000-080	0E	C-JUMPER, S	HTSF	XR-M130
X	CD	JR 0169	88-118-000-080	0E	C-JUMPER, S	GSF	XR-M150
X	CD	JR 0170	88-118-000-080	0E	C-JUMPER, S	HTSF	XR-M130
X	CD	JR 0170	88-118-000-080	0E	C-JUMPER, S	GSF	XR-M150
X	CD	JR 0171	88-118-000-080	0E	C-JUMPER, S	HTSF	XR-M130
X	CD	JR 0171	88-118-000-080	0E	C-JUMPER, S	GSF	XR-M150
X	CD	JR 0174	88-129-000-080	0E	C-JUMPER, 3216	HTSF	XR-M130
X	CD	JR 0174	88-129-000-080	0E	C-JUMPER, 3216	GSF	XR-M150
X	CD	JR 0176	88-118-000-080	0E	C-JUMPER, S	HTSF	XR-M130
X	CD	JR 0176	88-118-000-080	0E	C-JUMPER, S	GSF	XR-M150
X	CD	JR 0177	88-118-000-080	0E	C-JUMPER, S	HTSF	XR-M130
X	CD	JR 0177	88-118-000-080	0E	C-JUMPER, S	GSF	XR-M150
X	CD	JR 0178	88-118-000-080	0E	C-JUMPER, S	HTSF	XR-M130
X	CD	JR 0178	88-118-000-080	0E	C-JUMPER, S	GSF	XR-M150
X	CD	JR 0179	88-129-000-080	0E	C-JUMPER, 3216	HTSF	XR-M130
X	CD	JR 0179	88-129-000-080	0E	C-JUMPER, 3216	GSF	XR-M150
X	CD	JR 0180	88-129-000-080	0E	C-JUMPER, 3216	HTSF	XR-M130
X	CD	JR 0180	88-129-000-080	0E	C-JUMPER, 3216	GSF	XR-M150
X	CD	JR 0184	88-129-000-080	0E	C-JUMPER, 3216	HTSF	XR-M130
X	CD	JR 0184	88-129-000-080	0E	C-JUMPER, 3216	GSF	XR-M150
X	CD	JR 0185	88-129-000-080	0E	C-JUMPER, 3216	HTSF	XR-M130
X	CD	JR 0185	88-129-000-080	0E	C-JUMPER, 3216	GSF	XR-M150
X	CD	JR 0190	88-129-000-080	0E	C-JUMPER, 3216	HTSF	XR-M130
X	CD	JR 0190	88-129-000-080	0E	C-JUMPER, 3216	GSF	XR-M150
X	CD	JR 0192	88-118-000-080	0E	C-JUMPER, S	HTSF	XR-M130
X	CD	JR 0192	88-118-000-080	0E	C-JUMPER, S	GSF	XR-M150
X	CD	JR 0193	88-118-000-080	0E	C-JUMPER, S	HTSF	XR-M130
X	CD	JR 0193	88-118-000-080	0E	C-JUMPER, S	GSF	XR-M150
X	CD	JR 0198	88-129-000-080	0E	C-JUMPER, 3216	HTSF	XR-M130
X	CD	JR 0198	88-129-000-080	0E	C-JUMPER, 3216	GSF	XR-M150
X	CD	JR 0199	88-129-000-080	0E	C-JUMPER, 3216	HTSF	XR-M130
X	CD	JR 0199	88-129-000-080	0E	C-JUMPER, 3216	GSF	XR-M150
X	CD	JR 0200	88-118-000-080	0E	C-JUMPER, S	HTSF	XR-M130
X	CD	JR 0200	88-118-000-080	0E	C-JUMPER, S	GSF	XR-M150
X	CD	JR 0210	88-129-000-080	0E	C-JUMPER, 3216	HTSF	XR-M130
X	CD	JR 0210	88-129-000-080	0E	C-JUMPER, 3216	GSF	XR-M150
X	CD	JR 0252	88-118-000-080	0E	C-JUMPER, S	HTSF	XR-M130
X	CD	JR 0252	88-118-000-080	0E	C-JUMPER, S	GSF	XR-M150
X	CD	JR 0253	88-118-000-080	0E	C-JUMPER, S	HTSF	XR-M130
X	CD	JR 0253	88-118-000-080	0E	C-JUMPER, S	GSF	XR-M150
X	CD	JR 0254	88-129-000-080	0E	C-JUMPER, 3216	HTSF	XR-M130
X	CD	JR 0254	88-129-000-080	0E	C-JUMPER, 3216	GSF	XR-M150
X	CD	JR 0255	88-118-000-080	0E	C-JUMPER, S	HTSF	XR-M130
X	CD	JR 0255	88-118-000-080	0E	C-JUMPER, S	GSF	XR-M150
X	CD	JR 0256	88-118-000-080	0E	C-JUMPER, S	HTSF	XR-M130

PARTS LIST

! = Δ SAFTY PARTS
 C = Components marked

All components used on this model at the production line are shown in this service manual.

However, please note that not all components will be available as spare parts for after-sales service.

Components marked S and O are designated as spare parts for service and will be stocked at the spare parts centers.

Components marked X and R are not designated as spare parts for after sales service, and will not be stocked at the spare parts centers.

K NO. = Only use Japanese.

! C	UNIT NAME	REF NO.	PARTS CODE	K NO.	DESCRIPTION	SUFFIX	MODEL NAME
X	CD	JR 0256	88-118-000-080	0E	C-JUMPER, S	GSF	XR-M150
X	CD	JR 0257	88-118-000-080	0E	C-JUMPER, S	HTSF	XR-M130
X	CD	JR 0257	88-118-000-080	0E	C-JUMPER, S	GSF	XR-M150
X	CD	JR 0273	88-129-000-080	0E	C-JUMPER, 3216	HTSF	XR-M130
X	CD	JR 0273	88-129-000-080	0E	C-JUMPER, 3216	GSF	XR-M150
X	CD	JR 0280	88-129-000-080	0E	C-JUMPER, 3216	HTSF	XR-M130
X	CD	JR 0280	88-129-000-080	0E	C-JUMPER, 3216	GSF	XR-M150
O	CD	L 0001	87-003-102-080	0E	COIL,10UH J LAL02	HTSF	XR-M130
O	CD	L 0001	87-003-102-080	0E	COIL,10UH J LAL02	GSF	XR-M150
S	CD	Q 0001	87-026-463-080	0E	TR,2SA933SRS	HTSF	XR-M130
S	CD	Q 0001	87-026-463-080	0E	TR,2SA933SRS	GSF	XR-M150
S	CD	Q 0010	87-026-297-080	0E	C-TR,DTA144TK	HTSF	XR-M130
S	CD	Q 0010	87-026-297-080	0E	C-TR,DTA144TK	GSF	XR-M150
S	CD	Q 0011	87-026-297-080	0E	C-TR,DTA144TK	HTSF	XR-M130
S	CD	Q 0011	87-026-297-080	0E	C-TR,DTA144TK	GSF	XR-M150
S	CD	Q 0012	87-026-297-080	0E	C-TR,DTA144TK	HTSF	XR-M130
S	CD	Q 0012	87-026-297-080	0E	C-TR,DTA144TK	GSF	XR-M150
S	CD	Q 0013	87-026-297-080	0E	C-TR,DTA144TK	HTSF	XR-M130
S	CD	Q 0013	87-026-297-080	0E	C-TR,DTA144TK	GSF	XR-M150
S	CD	Q 0014	87-026-297-080	0E	C-TR,DTA144TK	HTSF	XR-M130
S	CD	Q 0014	87-026-297-080	0E	C-TR,DTA144TK	GSF	XR-M150
S	CD	Q 0015	87-026-297-080	0E	C-TR,DTA144TK	HTSF	XR-M130
S	CD	Q 0015	87-026-297-080	0E	C-TR,DTA144TK	GSF	XR-M150
S	CD	Q 0081	87-026-297-080	0E	C-TR,DTA144TK	HTSF	XR-M130
S	CD	Q 0081	87-026-297-080	0E	C-TR,DTA144TK	GSF	XR-M150
S	CD	Q 0082	87-026-297-080	0E	C-TR,DTA144TK	HTSF	XR-M130
S	CD	Q 0082	87-026-297-080	0E	C-TR,DTA144TK	GSF	XR-M150
S	CD	Q 0083	87-026-239-080	0E	C-TR,DTC114TK	HTSF	XR-M130
S	CD	Q 0083	87-026-239-080	0E	C-TR,DTC114TK	GSF	XR-M150
S	CD	Q 0084	87-026-239-080	0E	C-TR,DTC114TK	HTSF	XR-M130
S	CD	Q 0084	87-026-239-080	0E	C-TR,DTC114TK	GSF	XR-M150
S	CD	Q 0090	89-109-521-080	0E	TR,2SA952K	HTSF	XR-M130
S	CD	Q 0090	89-109-521-080	0E	TR,2SA952K	GSF	XR-M150
S	CD	Q 0092	89-109-521-080	0E	TR,2SA952K	HTSF	XR-M130
S	CD	Q 0092	89-109-521-080	0E	TR,2SA952K	GSF	XR-M150
S	CD	Q 0094	89-109-521-080	0E	TR,2SA952K	HTSF	XR-M130
S	CD	Q 0094	89-109-521-080	0E	TR,2SA952K	GSF	XR-M150
S	CD	Q 0096	89-109-521-080	0E	TR,2SA952K	HTSF	XR-M130
S	CD	Q 0096	89-109-521-080	0E	TR,2SA952K	GSF	XR-M150
S	CD	Q 0098	89-318-155-080	0E	TR,2SC1815GR	HTSF	XR-M130
S	CD	Q 0098	89-318-155-080	0E	TR,2SC1815GR	GSF	XR-M150
X	CD	R 0001	88-118-101-080	0E	C-RES,S 100-1/10W J	HTSF	XR-M130
X	CD	R 0001	88-118-101-080	0E	C-RES,S 100-1/10W J	GSF	XR-M150
X	CD	R 0002	88-118-100-080	0E	C-RES,S 10-1/10W J	HTSF	XR-M130
X	CD	R 0002	88-118-100-080	0E	C-RES,S 10-1/10W J	GSF	XR-M150
X	CD	R 0003	88-118-123-080	0E	C-RES,S 12K-1/10W J	HTSF	XR-M130
X	CD	R 0003	88-118-123-080	0E	C-RES,S 12K-1/10W J	GSF	XR-M150
X	CD	R 0004	88-118-101-080	0E	C-RES,S 100-1/10W J	HTSF	XR-M130
X	CD	R 0004	88-118-101-080	0E	C-RES,S 100-1/10W J	GSF	XR-M150
X	CD	R 0005	88-118-104-080	0E	C-RES,S 100K-1/10W J	HTSF	XR-M130
X	CD	R 0005	88-118-104-080	0E	C-RES,S 100K-1/10W J	GSF	XR-M150
X	CD	R 0006	88-118-682-080	0E	C-RES,S 6.8K-1/10W J	HTSF	XR-M130
X	CD	R 0006	88-118-682-080	0E	C-RES,S 6.8K-1/10W J	GSF	XR-M150
X	CD	R 0007	88-118-102-080	0E	C-RES,S 1K-1/10W J	HTSF	XR-M130
X	CD	R 0007	88-118-102-080	0E	C-RES,S 1K-1/10W J	GSF	XR-M150
X	CD	R 0008	88-118-683-080	0E	C-RES,S 68K-1/10W J	HTSF	XR-M130
X	CD	R 0008	88-118-683-080	0E	C-RES,S 68K-1/10W J	GSF	XR-M150
X	CD	R 0009	88-118-222-080	0E	C-RES,S 2.2K-1/10W J	HTSF	XR-M130
X	CD	R 0009	88-118-222-080	0E	C-RES,S 2.2K-1/10W J	GSF	XR-M150
X	CD	R 0010	88-118-273-080	0E	C-RES,S 27K-1/10W J	HTSF	XR-M130
X	CD	R 0010	88-118-273-080	0E	C-RES,S 27K-1/10W J	GSF	XR-M150
X	CD	R 0011	88-118-102-080	0E	C-RES,S 1K-1/10W J	HTSF	XR-M130
X	CD	R 0011	88-118-102-080	0E	C-RES,S 1K-1/10W J	GSF	XR-M150
X	CD	R 0012	88-118-273-080	0E	C-RES,S 27K-1/10W J	HTSF	XR-M130
X	CD	R 0012	88-118-273-080	0E	C-RES,S 27K-1/10W J	GSF	XR-M150
X	CD	R 0014	88-118-272-080	0E	C-RES,S 2.7K-1/10W J	HTSF	XR-M130
X	CD	R 0014	88-118-272-080	0E	C-RES,S 2.7K-1/10W J	GSF	XR-M150
X	CD	R 0015	88-118-393-080	0E	C-RES,S 39K-1/10W J	HTSF	XR-M130
X	CD	R 0015	88-118-393-080	0E	C-RES,S 39K-1/10W J	GSF	XR-M150
X	CD	R 0017	88-118-123-080	0E	C-RES,S 12K-1/10W J	HTSF	XR-M130

PARTS LIST

! = Δ SAFTY PARTS
 C = Components marked

All components used on this model at the production line are shown in this service manual.

However, please note that not all components will be available as spare parts for after-sales service.

Components marked S and O are designated as spare parts for service and will be stocked at the spare parts centers.

Components marked X and R are not designated as spare parts for after sales service, and will not be stocked at the spare parts centers.

K NO. = Only use Japanese.

! C	UNIT NAME	REF NO.	PARTS CODE	K NO.	DESCRIPTION	SUFFIX	MODEL NAME
X	CD	R 0017	88-118-123-080	0E	C-RES,S 12K-1/10W J	GSF	XR-M150
X	CD	R 0018	88-118-473-080	0E	C-RES,S 47K-1/10W J	HTSF	XR-M130
X	CD	R 0018	88-118-473-080	0E	C-RES,S 47K-1/10W J	GSF	XR-M150
X	CD	R 0019	88-118-152-080	0E	C-RES,S 1.5K-1/10W J	HTSF	XR-M130
X	CD	R 0019	88-118-152-080	0E	C-RES,S 1.5K-1/10W J	GSF	XR-M150
X	CD	R 0020	88-118-273-080	0E	C-RES,S 27K-1/10W J	HTSF	XR-M130
X	CD	R 0020	88-118-273-080	0E	C-RES,S 27K-1/10W J	GSF	XR-M150
X	CD	R 0021	88-118-184-080	0E	C-RES,S 180K-1/10W J	HTSF	XR-M130
X	CD	R 0021	88-118-184-080	0E	C-RES,S 180K-1/10W J	GSF	XR-M150
X	CD	R 0022	88-118-223-080	0E	C-RES,S 22K-1/10W J	HTSF	XR-M130
X	CD	R 0022	88-118-223-080	0E	C-RES,S 22K-1/10W J	GSF	XR-M150
X	CD	R 0023	88-118-563-080	0E	C-RES,S 56K-1/10W J	HTSF	XR-M130
X	CD	R 0023	88-118-563-080	0E	C-RES,S 56K-1/10W J	GSF	XR-M150
X	CD	R 0024	88-118-681-080	0E	C-RES,S 680-1/10W J	HTSF	XR-M130
X	CD	R 0024	88-118-681-080	0E	C-RES,S 680-1/10W J	GSF	XR-M150
X	CD	R 0025	88-118-563-080	0E	C-RES,S 56K-1/10W J	HTSF	XR-M130
X	CD	R 0025	88-118-563-080	0E	C-RES,S 56K-1/10W J	GSF	XR-M150
X	CD	R 0026	88-118-153-080	0E	C-RES,S 15K-1/10W J	HTSF	XR-M130
X	CD	R 0026	88-118-153-080	0E	C-RES,S 15K-1/10W J	GSF	XR-M150
X	CD	R 0027	88-118-682-080	0E	C-RES,S 6.8K-1/10W J	HTSF	XR-M130
X	CD	R 0027	88-118-682-080	0E	C-RES,S 6.8K-1/10W J	GSF	XR-M150
X	CD	R 0028	88-118-101-080	0E	C-RES,S 100-1/10W J	HTSF	XR-M130
X	CD	R 0028	88-118-101-080	0E	C-RES,S 100-1/10W J	GSF	XR-M150
X	CD	R 0029	88-118-152-080	0E	C-RES,S 1.5K-1/10W J	HTSF	XR-M130
X	CD	R 0029	88-118-152-080	0E	C-RES,S 1.5K-1/10W J	GSF	XR-M150
X	CD	R 0031	88-118-474-080	0E	C-RES,S 470K-1/10W J	HTSF	XR-M130
X	CD	R 0031	88-118-474-080	0E	C-RES,S 470K-1/10W J	GSF	XR-M150
X	CD	R 0032	88-118-474-080	0E	C-RES,S 470K-1/10W J	HTSF	XR-M130
X	CD	R 0032	88-118-474-080	0E	C-RES,S 470K-1/10W J	GSF	XR-M150
X	CD	R 0033	88-118-472-080	0E	C-RES,S 4.7K-1/10W J	HTSF	XR-M130
X	CD	R 0033	88-118-472-080	0E	C-RES,S 4.7K-1/10W J	GSF	XR-M150
X	CD	R 0034	88-118-473-080	0E	C-RES,S 47K-1/10W J	HTSF	XR-M130
X	CD	R 0034	88-118-473-080	0E	C-RES,S 47K-1/10W J	GSF	XR-M150
X	CD	R 0035	88-118-223-080	0E	C-RES,S 22K-1/10W J	HTSF	XR-M130
X	CD	R 0035	88-118-223-080	0E	C-RES,S 22K-1/10W J	GSF	XR-M150
X	CD	R 0036	88-118-103-080	0E	C-RES,S 10K-1/10W J	HTSF	XR-M130
X	CD	R 0036	88-118-103-080	0E	C-RES,S 10K-1/10W J	GSF	XR-M150
X	CD	R 0037	88-118-103-080	0E	C-RES,S 10K-1/10W J	HTSF	XR-M130
X	CD	R 0037	88-118-103-080	0E	C-RES,S 10K-1/10W J	GSF	XR-M150
X	CD	R 0038	88-118-681-080	0E	C-RES,S 680-1/10W J	HTSF	XR-M130
X	CD	R 0038	88-118-681-080	0E	C-RES,S 680-1/10W J	GSF	XR-M150
X	CD	R 0039	88-118-223-080	0E	C-RES,S 22K-1/10W J	HTSF	XR-M130
X	CD	R 0039	88-118-223-080	0E	C-RES,S 22K-1/10W J	GSF	XR-M150
X	CD	R 0040	88-118-471-080	0E	C-RES,S 470-1/10W J	HTSF	XR-M130
X	CD	R 0040	88-118-471-080	0E	C-RES,S 470-1/10W J	GSF	XR-M150
X	CD	R 0041	88-118-681-080	0E	C-RES,S 680-1/10W J	HTSF	XR-M130
X	CD	R 0041	88-118-681-080	0E	C-RES,S 680-1/10W J	GSF	XR-M150
X	CD	R 0042	88-118-683-080	0E	C-RES,S 68K-1/10W J	HTSF	XR-M130
X	CD	R 0042	88-118-683-080	0E	C-RES,S 68K-1/10W J	GSF	XR-M150
X	CD	R 0043	88-118-122-080	0E	C-RES,S 1.2K-1/10W J	HTSF	XR-M130
X	CD	R 0043	88-118-122-080	0E	C-RES,S 1.2K-1/10W J	GSF	XR-M150
X	CD	R 0044	88-118-333-080	0E	C-RES,S 33K-1/10W J	HTSF	XR-M130
X	CD	R 0044	88-118-333-080	0E	C-RES,S 33K-1/10W J	GSF	XR-M150
X	CD	R 0047	88-128-223-080	0E	C-RES, 22K-1/8W J	HTSF	XR-M130
X	CD	R 0047	88-128-223-080	0E	C-RES, 22K-1/8W J	GSF	XR-M150
X	CD	R 0048	88-128-153-080	0E	C-RES, 15K-1/8W J	HTSF	XR-M130
X	CD	R 0048	88-128-153-080	0E	C-RES, 15K-1/8W J	GSF	XR-M150
X	CD	R 0049	88-118-183-080	0E	C-RES,S 18K-1/10W J	HTSF	XR-M130
X	CD	R 0049	88-118-183-080	0E	C-RES,S 18K-1/10W J	GSF	XR-M150
X	CD	R 0050	88-118-473-080	0E	C-RES,S 47K-1/10W J	HTSF	XR-M130
X	CD	R 0050	88-118-473-080	0E	C-RES,S 47K-1/10W J	GSF	XR-M150
X	CD	R 0051	88-118-393-080	0E	C-RES,S 39K-1/10W J	HTSF	XR-M130
X	CD	R 0051	88-118-393-080	0E	C-RES,S 39K-1/10W J	GSF	XR-M150
X	CD	R 0052	88-118-223-080	0E	C-RES,S 22K-1/10W J	HTSF	XR-M130
X	CD	R 0052	88-118-223-080	0E	C-RES,S 22K-1/10W J	GSF	XR-M150
X	CD	R 0054	88-118-683-080	0E	C-RES,S 68K-1/10W J	HTSF	XR-M130
X	CD	R 0054	88-118-683-080	0E	C-RES,S 68K-1/10W J	GSF	XR-M150
X	CD	R 0055	88-118-102-080	0E	C-RES,S 1K-1/10W J	HTSF	XR-M130
X	CD	R 0055	88-118-102-080	0E	C-RES,S 1K-1/10W J	GSF	XR-M150
X	CD	R 0056	88-118-563-080	0E	C-RES,S 56K-1/10W J	HTSF	XR-M130

PARTS LIST

! = Δ SAFTY PARTS
 C = Components marked

All components used on this model at the production line are shown in this service manual.

However, please note that not all components will be available as spare parts for after-sales service.

Components marked S and O are designated as spare parts for service and will be stocked at the spare parts centers.

Components marked X and R are not designated as spare parts for after sales service, and will not be stocked at the spare parts centers.

K NO. = Only use japanese.

! C	UNIT NAME	REF NO.	PARTS CODE	K NO.	DESCRIPTION	SUFFIX	MODEL NAME
X	CD	R 0056	88-118-563-080	0E	C-RES,S 56K-1/10W J	GSF	XR-M150
X	CD	R 0059	88-118-104-080	0E	C-RES,S 100K-1/10W J	HTSF	XR-M130
X	CD	R 0059	88-118-104-080	0E	C-RES,S 100K-1/10W J	GSF	XR-M150
X	CD	R 0061	88-118-102-080	0E	C-RES,S 1K-1/10W J	HTSF	XR-M130
X	CD	R 0061	88-118-102-080	0E	C-RES,S 1K-1/10W J	GSF	XR-M150
X	CD	R 0065	88-118-680-080	0E	C-RES,S 68-1/10W J	HTSF	XR-M130
X	CD	R 0065	88-118-680-080	0E	C-RES,S 68-1/10W J	GSF	XR-M150
X	CD	R 0066	88-121-101-080	0E	RES,100-1/8W J	HTSF	XR-M130
X	CD	R 0066	88-121-101-080	0E	RES,100-1/8W J	GSF	XR-M150
X	CD	R 0067	88-121-333-080	0E	RES,33K-1/8W J	HTSF	XR-M130
X	CD	R 0067	88-121-333-080	0E	RES,33K-1/8W J	GSF	XR-M150
X	CD	R 0069	88-118-104-080	0E	C-RES,S 100K-1/10W J	HTSF	XR-M130
X	CD	R 0069	88-118-104-080	0E	C-RES,S 100K-1/10W J	GSF	XR-M150
!	S CD	R 0070	87-029-124-090	0E	RES,FUSE 2.2-1/4W J	HTSF	XR-M130
!	S CD	R 0070	87-029-124-090	0E	RES,FUSE 2.2-1/4W J	GSF	XR-M150
X	CD	R 0071	88-118-104-080	0E	C-RES,S 100K-1/10W J	HTSF	XR-M130
X	CD	R 0071	88-118-104-080	0E	C-RES,S 100K-1/10W J	GSF	XR-M150
X	CD	R 0072	88-118-562-080	0E	C-RES,S 5.6K-1/10W J	HTSF	XR-M130
X	CD	R 0072	88-118-562-080	0E	C-RES,S 5.6K-1/10W J	GSF	XR-M150
S	CD	R 0073	87-029-361-090	0E	RES,FUSE 3.3-1/2W J	HTSF	XR-M130
S	CD	R 0073	87-029-361-090	0E	RES,FUSE 3.3-1/2W J	GSF	XR-M150
X	CD	R 0074	88-118-472-080	0E	C-RES,S 4.7K-1/10W J	HTSF	XR-M130
X	CD	R 0074	88-118-472-080	0E	C-RES,S 4.7K-1/10W J	GSF	XR-M150
X	CD	R 0075	88-118-122-080	0E	C-RES,S 1.2K-1/10W J	HTSF	XR-M130
X	CD	R 0075	88-118-122-080	0E	C-RES,S 1.2K-1/10W J	GSF	XR-M150
X	CD	R 0076	88-118-562-080	0E	C-RES,S 5.6K-1/10W J	HTSF	XR-M130
X	CD	R 0076	88-118-562-080	0E	C-RES,S 5.6K-1/10W J	GSF	XR-M150
X	CD	R 0077	88-118-104-080	0E	C-RES,S 100K-1/10W J	HTSF	XR-M130
X	CD	R 0077	88-118-104-080	0E	C-RES,S 100K-1/10W J	GSF	XR-M150
X	CD	R 0078	88-118-104-080	0E	C-RES,S 100K-1/10W J	HTSF	XR-M130
X	CD	R 0078	88-118-104-080	0E	C-RES,S 100K-1/10W J	GSF	XR-M150
X	CD	R 0079	88-118-104-080	0E	C-RES,S 100K-1/10W J	HTSF	XR-M130
X	CD	R 0079	88-118-104-080	0E	C-RES,S 100K-1/10W J	GSF	XR-M150
X	CD	R 0081	88-118-102-080	0E	C-RES,S 1K-1/10W J	HTSF	XR-M130
X	CD	R 0081	88-118-102-080	0E	C-RES,S 1K-1/10W J	GSF	XR-M150
X	CD	R 0082	88-128-102-080	0E	C-RES, 1K-1/8W J	HTSF	XR-M130
X	CD	R 0082	88-128-102-080	0E	C-RES, 1K-1/8W J	GSF	XR-M150
X	CD	R 0083	88-118-103-080	0E	C-RES,S 10K-1/10W J	HTSF	XR-M130
X	CD	R 0083	88-118-103-080	0E	C-RES,S 10K-1/10W J	GSF	XR-M150
X	CD	R 0084	88-118-103-080	0E	C-RES,S 10K-1/10W J	HTSF	XR-M130
X	CD	R 0084	88-118-103-080	0E	C-RES,S 10K-1/10W J	GSF	XR-M150
X	CD	R 0085	88-118-683-080	0E	C-RES,S 68K-1/10W J	HTSF	XR-M130
X	CD	R 0085	88-118-683-080	0E	C-RES,S 68K-1/10W J	GSF	XR-M150
X	CD	R 0086	88-118-683-080	0E	C-RES,S 68K-1/10W J	HTSF	XR-M130
X	CD	R 0086	88-118-683-080	0E	C-RES,S 68K-1/10W J	GSF	XR-M150
X	CD	R 0087	88-118-683-080	0E	C-RES,S 68K-1/10W J	HTSF	XR-M130
X	CD	R 0087	88-118-683-080	0E	C-RES,S 68K-1/10W J	GSF	XR-M150
X	CD	R 0088	88-118-683-080	0E	C-RES,S 68K-1/10W J	HTSF	XR-M130
X	CD	R 0088	88-118-683-080	0E	C-RES,S 68K-1/10W J	GSF	XR-M150
X	CD	R 0090	88-121-229-080	0E	RES,2.2-1/8W J	HTSF	XR-M130
X	CD	R 0090	88-121-229-080	0E	RES,2.2-1/8W J	GSF	XR-M150
X	CD	R 0091	88-121-229-080	0E	RES,2.2-1/8W J	HTSF	XR-M130
X	CD	R 0091	88-121-229-080	0E	RES,2.2-1/8W J	GSF	XR-M150
X	CD	R 0092	88-121-229-080	0E	RES,2.2-1/8W J	HTSF	XR-M130
X	CD	R 0092	88-121-229-080	0E	RES,2.2-1/8W J	GSF	XR-M150
X	CD	R 0093	88-121-229-080	0E	RES,2.2-1/8W J	HTSF	XR-M130
X	CD	R 0093	88-121-229-080	0E	RES,2.2-1/8W J	GSF	XR-M150
X	CD	R 0094	88-121-229-080	0E	RES,2.2-1/8W J	HTSF	XR-M130
X	CD	R 0094	88-121-229-080	0E	RES,2.2-1/8W J	GSF	XR-M150
X	CD	R 0095	88-121-229-080	0E	RES,2.2-1/8W J	HTSF	XR-M130
X	CD	R 0095	88-121-229-080	0E	RES,2.2-1/8W J	GSF	XR-M150
X	CD	R 0096	88-121-229-080	0E	RES,2.2-1/8W J	HTSF	XR-M130
X	CD	R 0096	88-121-229-080	0E	RES,2.2-1/8W J	GSF	XR-M150
X	CD	R 0097	88-121-229-080	0E	RES,2.2-1/8W J	HTSF	XR-M130
X	CD	R 0097	88-121-229-080	0E	RES,2.2-1/8W J	GSF	XR-M150
X	CD	R 0098	88-118-102-080	0E	C-RES,S 1K-1/10W J	HTSF	XR-M130
X	CD	R 0098	88-118-102-080	0E	C-RES,S 1K-1/10W J	GSF	XR-M150
X	CD	R 0099	88-118-123-080	0E	C-RES,S 12K-1/10W J	HTSF	XR-M130
X	CD	R 0099	88-118-123-080	0E	C-RES,S 12K-1/10W J	GSF	XR-M150
X	CD	R 0101	88-118-103-080	0E	C-RES,S 10K-1/10W J	HTSF	XR-M130

PARTS LIST

! = Δ SAFTY PARTS
 C = Components marked

All components used on this model at the production line are shown in this service manual.

However, please note that not all components will be available as spare parts for after-sales service.

Components marked S and O are designated as spare parts for service and will be stocked at the spare parts centers.

Components marked X and R are not designated as spare parts for after sales service, and will not be stocked at the spare parts centers.

K NO. = Only use japanese.

! C	UNIT NAME	REF NO.	PARTS CODE	K NO.	DESCRIPTION	SUFFIX	MODEL NAME
X	CD	R 0101	88-118-103-080	0E	C-RES,S 10K-1/10W J	GSF	XR-M150
X	CD	R 0102	88-118-392-080	0E	C-RES,S 3.9K-1/10W J	HTSF	XR-M130
X	CD	R 0102	88-118-392-080	0E	C-RES,S 3.9K-1/10W J	GSF	XR-M150
X	CD	R 0103	88-118-101-080	0E	C-RES,S 100-1/10W J	HTSF	XR-M130
X	CD	R 0103	88-118-101-080	0E	C-RES,S 100-1/10W J	GSF	XR-M150
X	CD	R 0104	88-118-271-080	0E	C-RES,S 270-1/10W J	HTSF	XR-M130
X	CD	R 0104	88-118-271-080	0E	C-RES,S 270-1/10W J	GSF	XR-M150
X	CD	R 0105	88-118-271-080	0E	C-RES,S 270-1/10W J	HTSF	XR-M130
X	CD	R 0105	88-118-271-080	0E	C-RES,S 270-1/10W J	GSF	XR-M150
X	CD	R 0106	88-118-101-080	0E	C-RES,S 100-1/10W J	HTSF	XR-M130
X	CD	R 0106	88-118-101-080	0E	C-RES,S 100-1/10W J	GSF	XR-M150
X	CD	R 0107	88-118-153-080	0E	C-RES,S 15K-1/10W J	HTSF	XR-M130
X	CD	R 0107	88-118-153-080	0E	C-RES,S 15K-1/10W J	GSF	XR-M150
X	CD	R 0108	88-118-153-080	0E	C-RES,S 15K-1/10W J	HTSF	XR-M130
X	CD	R 0108	88-118-153-080	0E	C-RES,S 15K-1/10W J	GSF	XR-M150
X	CD	R 0109	88-118-153-080	0E	C-RES,S 15K-1/10W J	HTSF	XR-M130
X	CD	R 0109	88-118-153-080	0E	C-RES,S 15K-1/10W J	GSF	XR-M150
X	CD	R 0110	88-118-153-080	0E	C-RES,S 15K-1/10W J	HTSF	XR-M130
X	CD	R 0110	88-118-153-080	0E	C-RES,S 15K-1/10W J	GSF	XR-M150
X	CD	R 0117	88-118-333-080	0E	C-RES,S 33K-1/10W J	HTSF	XR-M130
X	CD	R 0117	88-118-333-080	0E	C-RES,S 33K-1/10W J	GSF	XR-M150
X	CD	R 0118	88-118-333-080	0E	C-RES,S 33K-1/10W J	HTSF	XR-M130
X	CD	R 0118	88-118-333-080	0E	C-RES,S 33K-1/10W J	GSF	XR-M150
X	CD	R 0121	88-118-222-080	0E	C-RES,S 2.2K-1/10W J	HTSF	XR-M130
X	CD	R 0121	88-118-222-080	0E	C-RES,S 2.2K-1/10W J	GSF	XR-M150
X	CD	R 0122	88-118-222-080	0E	C-RES,S 2.2K-1/10W J	HTSF	XR-M130
X	CD	R 0122	88-118-222-080	0E	C-RES,S 2.2K-1/10W J	GSF	XR-M150
X	CD	R 0123	88-118-272-080	0E	C-RES,S 2.7K-1/10W J	HTSF	XR-M130
X	CD	R 0123	88-118-272-080	0E	C-RES,S 2.7K-1/10W J	GSF	XR-M150
X	CD	R 0124	88-118-102-080	0E	C-RES,S 1K-1/10W J	HTSF	XR-M130
X	CD	R 0124	88-118-102-080	0E	C-RES,S 1K-1/10W J	GSF	XR-M150
O	CD	X 0001	87-A70-046-010	1B	VIB,XTAL 16.934MHZ	HTSF	XR-M130
O	CD	X 0001	87-A70-046-010	1B	VIB,XTAL 16.934MHZ	GSF	XR-M150
X	CNTL	*	8A-CL9-610-010	1E	PWB,FR	HTSF	XR-M130
X	CNTL	*	8A-CL9-610-010	1E	PWB,FR	GSF	XR-M150
O	CNTL	C 0300	87-012-153-080	0E	C-CAP,S 120P-50 J CH GRM	HTSF	XR-M130
O	CNTL	C 0300	87-012-153-080	0E	C-CAP,S 120P-50 J CH GRM	GSF	XR-M150
O	CNTL	C 0301	87-012-145-080	0E	C-CAP,S 270P-50 J CH GRM	HTSF	XR-M130
O	CNTL	C 0301	87-012-145-080	0E	C-CAP,S 270P-50 J CH GRM	GSF	XR-M150
O	CNTL	C 0302	87-010-197-080	0E	C-CAP,S 0.01-25 K B C2012	HTSF	XR-M130
O	CNTL	C 0302	87-010-197-080	0E	C-CAP,S 0.01-25 K B C2012	GSF	XR-M150
O	CNTL	C 0304	87-010-405-040	0E	CAP,E 10-50 M 11L SME	HTSF	XR-M130
O	CNTL	C 0304	87-010-405-040	0E	CAP,E 10-50 M 11L SME	GSF	XR-M150
O	CNTL	C 0305	87-A10-797-040	0E	CAP,E 47-35 M 5L SRM	HTSF	XR-M130
O	CNTL	C 0305	87-A10-797-040	0E	CAP,E 47-35 M 5L SRM	GSF	XR-M150
O	CNTL	C 0307	87-010-421-040	0E	CAP,E 4.7-50 M 5L SRE	HTSF	XR-M130
O	CNTL	C 0307	87-010-421-040	0E	CAP,E 4.7-50 M 5L SRE	GSF	XR-M150
O	CNTL	C 0308	87-010-421-040	0E	CAP,E 4.7-50 M 5L SRE	HTSF	XR-M130
O	CNTL	C 0308	87-010-421-040	0E	CAP,E 4.7-50 M 5L SRE	GSF	XR-M150
O	CNTL	C 0309	87-010-787-080	0E	C-CAP,U 0.022-25 K B	HTSF	XR-M130
O	CNTL	C 0309	87-010-787-080	0E	C-CAP,U 0.022-25 K B	GSF	XR-M150
O	CNTL	C 0313	87-010-112-040	0E	CAP,E 100-16 M 11L SME	HTSF	XR-M130
O	CNTL	C 0313	87-010-112-040	0E	CAP,E 100-16 M 11L SME	GSF	XR-M150
O	CNTL	C 0314	87-A10-189-040	0E	CAP,E 220-10 M 5L	HTSF	XR-M130
O	CNTL	C 0314	87-A10-189-040	0E	CAP,E 220-10 M 5L	GSF	XR-M150
O	CNTL	C 0315	87-010-198-080	0E	C-CAP,S 0.022-25 K B C2012	HTSF	XR-M130
O	CNTL	C 0315	87-010-198-080	0E	C-CAP,S 0.022-25 K B C2012	GSF	XR-M150
O	CNTL	C 0316	87-012-286-080	0E	C-CAP,U 0.01-25 K B	HTSF	XR-M130
O	CNTL	C 0316	87-012-286-080	0E	C-CAP,U 0.01-25 K B	GSF	XR-M150
O	CNTL	C 0317	87-010-787-080	0E	C-CAP,U 0.022-25 K B	HTSF	XR-M130
O	CNTL	C 0317	87-010-787-080	0E	C-CAP,U 0.022-25 K B	GSF	XR-M150
O	CNTL	C 0318	87-010-320-080	0E	C-CAP,S 68P-50 J CH GRM	HTSF	XR-M130
O	CNTL	C 0318	87-010-320-080	0E	C-CAP,S 68P-50 J CH GRM	GSF	XR-M150
O	CNTL	C 0319	87-010-320-080	0E	C-CAP,S 68P-50 J CH GRM	HTSF	XR-M130
O	CNTL	C 0319	87-010-320-080	0E	C-CAP,S 68P-50 J CH GRM	GSF	XR-M150
O	CNTL	C 0320	87-010-320-080	0E	C-CAP,S 68P-50 J CH GRM	HTSF	XR-M130
O	CNTL	C 0320	87-010-320-080	0E	C-CAP,S 68P-50 J CH GRM	GSF	XR-M150
O	CNTL	C 0321	87-010-320-080	0E	C-CAP,S 68P-50 J CH GRM	HTSF	XR-M130
O	CNTL	C 0321	87-010-320-080	0E	C-CAP,S 68P-50 J CH GRM	GSF	XR-M150
O	CNTL	C 0322	87-010-320-080	0E	C-CAP,S 68P-50 J CH GRM	HTSF	XR-M130

PARTS LIST

! = Δ SAFTY PARTS
 C = Components marked

All components used on this model at the production line are shown in this service manual.

However, please note that not all components will be available as spare parts for after-sales service.

Components marked S and O are designated as spare parts for service and will be stocked at the spare parts centers.

Components marked X and R are not designated as spare parts for after sales service, and will not be stocked at the spare parts centers.

K NO. = Only use japanese.

! C	UNIT NAME	REF NO.	PARTS CODE	K NO.	DESCRIPTION	SUFFIX	MODEL NAME		
O	CNTL	C	0322	87-010-320-080	0E	C-CAP,S 68P-50 J CH GRM	GSF	XR-M150	
O	CNTL	C	0323	87-010-320-080	0E	C-CAP,S 68P-50 J CH GRM	HTSF	XR-M130	
O	CNTL	C	0323	87-010-320-080	0E	C-CAP,S 68P-50 J CH GRM	GSF	XR-M150	
O	CNTL	C	0324	87-010-320-080	0E	C-CAP,S 68P-50 J CH GRM	HTSF	XR-M130	
O	CNTL	C	0324	87-010-320-080	0E	C-CAP,S 68P-50 J CH GRM	GSF	XR-M150	
O	CNTL	C	0325	87-010-320-080	0E	C-CAP,S 68P-50 J CH GRM	HTSF	XR-M130	
O	CNTL	C	0325	87-010-320-080	0E	C-CAP,S 68P-50 J CH GRM	GSF	XR-M150	
O	CNTL	C	0326	87-010-320-080	0E	C-CAP,S 68P-50 J CH GRM	HTSF	XR-M130	
O	CNTL	C	0326	87-010-320-080	0E	C-CAP,S 68P-50 J CH GRM	GSF	XR-M150	
O	CNTL	C	0327	87-010-320-080	0E	C-CAP,S 68P-50 J CH GRM	HTSF	XR-M130	
O	CNTL	C	0327	87-010-320-080	0E	C-CAP,S 68P-50 J CH GRM	GSF	XR-M150	
O	CNTL	C	0328	87-010-320-080	0E	C-CAP,S 68P-50 J CH GRM	HTSF	XR-M130	
O	CNTL	C	0328	87-010-320-080	0E	C-CAP,S 68P-50 J CH GRM	GSF	XR-M150	
O	CNTL	C	0329	87-010-198-080	0E	C-CAP,S 0.022-25 K B C2012	HTSF	XR-M130	
O	CNTL	C	0329	87-010-198-080	0E	C-CAP,S 0.022-25 K B C2012	GSF	XR-M150	
O	CNTL	C	0330	87-010-318-080	0E	C-CAP,S 47P-50 J CH GRM	HTSF	XR-M130	
O	CNTL	C	0330	87-010-318-080	0E	C-CAP,S 47P-50 J CH GRM	GSF	XR-M150	
O	CNTL	C	0331	87-010-312-080	0E	C-CAP,S 15P-50 J CH GRM	HTSF	XR-M130	
O	CNTL	C	0331	87-010-312-080	0E	C-CAP,S 15P-50 J CH GRM	GSF	XR-M150	
O	CNTL	C	0333	87-015-695-040	0E	CAP,E 1-50 7L SRA	HTSF	XR-M130	
O	CNTL	C	0333	87-015-695-040	0E	CAP,E 1-50 7L SRA	GSF	XR-M150	
O	CNTL	C	0335	87-010-316-080	0E	C-CAP,S 33P-50 J CH GRM	HTSF	XR-M130	
O	CNTL	C	0335	87-010-316-080	0E	C-CAP,S 33P-50 J CH GRM	GSF	XR-M150	
O	CNTL	C	0338	87-010-197-080	0E	C-CAP,S 0.01-25 K B C2012	HTSF	XR-M130	
O	CNTL	C	0338	87-010-197-080	0E	C-CAP,S 0.01-25 K B C2012	GSF	XR-M150	
O	CNTL	C	0339	87-010-197-080	0E	C-CAP,S 0.01-25 K B C2012	HTSF	XR-M130	
O	CNTL	C	0339	87-010-197-080	0E	C-CAP,S 0.01-25 K B C2012	GSF	XR-M150	
O	CNTL	C	0340	87-010-197-080	0E	C-CAP,S 0.01-25 K B C2012	HTSF	XR-M130	
O	CNTL	C	0340	87-010-197-080	0E	C-CAP,S 0.01-25 K B C2012	GSF	XR-M150	
O	CNTL	C	0341	87-010-263-040	0E	CAP,E 100-10 M 11L SME	HTSF	XR-M130	
O	CNTL	C	0341	87-010-263-040	0E	CAP,E 100-10 M 11L SME	GSF	XR-M150	
O	CNTL	C	0352	87-010-194-080	0E	C-CAP,S 0.047-25 Z F	HTSF	XR-M130	
O	CNTL	C	0352	87-010-194-080	0E	C-CAP,S 0.047-25 Z F	GSF	XR-M150	
O	CNTL	C	0395	87-012-154-080	0E	C-CAP,S 150P-50 J CH GRM	HTSF	XR-M130	
O	CNTL	C	0395	87-012-154-080	0E	C-CAP,S 150P-50 J CH GRM	GSF	XR-M150	
O	CNTL	C	0397	87-012-154-080	0E	C-CAP,S 150P-50 J CH GRM	HTSF	XR-M130	
O	CNTL	C	0397	87-012-154-080	0E	C-CAP,S 150P-50 J CH GRM	GSF	XR-M150	
O	CNTL	C	0399	87-010-314-080	0E	C-CAP,S 22P-50 J CH GRM	HTSF	XR-M130	
O	CNTL	C	0399	87-010-314-080	0E	C-CAP,S 22P-50 J CH GRM	GSF	XR-M150	
O	CNTL	C	0400	87-012-154-080	0E	C-CAP,S 150P-50 J CH GRM	HTSF	XR-M130	
O	CNTL	C	0400	87-012-154-080	0E	C-CAP,S 150P-50 J CH GRM	GSF	XR-M150	
O	CNTL	C	0420	87-010-196-080	0E	C-CAP,S 0.1-25 Z F C2012	HTSF	XR-M130	
O	CNTL	C	0420	87-010-196-080	0E	C-CAP,S 0.1-25 Z F C2012	GSF	XR-M150	
O	CNTL	C	0421	87-010-318-080	0E	C-CAP,S 47P-50 J CH GRM	HTSF	XR-M130	
O	CNTL	C	0421	87-010-318-080	0E	C-CAP,S 47P-50 J CH GRM	GSF	XR-M150	
O	CNTL	C	0422	87-010-197-080	0E	C-CAP,S 0.01-25 K B C2012	HTSF	XR-M130	
O	CNTL	C	0422	87-010-197-080	0E	C-CAP,S 0.01-25 K B C2012	GSF	XR-M150	
O	CNTL	C	0423	87-010-403-040	0E	CAP,E 3.3-50 M 11L SME	HTSF	XR-M130	
O	CNTL	C	0423	87-010-403-040	0E	CAP,E 3.3-50 M 11L SME	GSF	XR-M150	
!	O	CNTL	CN	0004	87-099-032-010	0E	CONN,15P H BLK 6216	HTSF	XR-M130
!	O	CNTL	CN	0004	87-099-032-010	0E	CONN,15P H BLK 6216	GSF	XR-M150
!	O	CNTL	CN	0301	87-099-720-010	1B	CONN,30P BLK TYK-B(P)	HTSF	XR-M130
!	O	CNTL	CN	0301	87-099-720-010	1B	CONN,30P BLK TYK-B(P)	GSF	XR-M150
O	CNTL	CN	0302	87-CL4-704-010	1B	CONN ASSY,9P DECK	HTSF	XR-M130	
O	CNTL	CN	0302	87-CL4-704-010	1B	CONN ASSY,9P DECK	GSF	XR-M150	
S	CNTL	D	0301	87-020-465-080	0E	DIODE,1SS133	HTSF	XR-M130	
S	CNTL	D	0301	87-020-465-080	0E	DIODE,1SS133	GSF	XR-M150	
S	CNTL	D	0308	87-020-465-080	0E	DIODE,1SS133	GSF	XR-M150	
S	CNTL	D	0311	87-020-465-080	0E	DIODE,1SS133	HTSF	XR-M130	
S	CNTL	D	0311	87-020-465-080	0E	DIODE,1SS133	GSF	XR-M150	
S	CNTL	D	0312	87-020-465-080	0E	DIODE,1SS133	HTSF	XR-M130	
S	CNTL	D	0312	87-020-465-080	0E	DIODE,1SS133	GSF	XR-M150	
S	CNTL	D	0313	87-020-465-080	0E	DIODE,1SS133	HTSF	XR-M130	
S	CNTL	D	0313	87-020-465-080	0E	DIODE,1SS133	GSF	XR-M150	
S	CNTL	D	0314	87-020-465-080	0E	DIODE,1SS133	HTSF	XR-M130	
S	CNTL	D	0314	87-020-465-080	0E	DIODE,1SS133	GSF	XR-M150	
S	CNTL	D	0315	87-020-465-080	0E	DIODE,1SS133	HTSF	XR-M130	
S	CNTL	D	0315	87-020-465-080	0E	DIODE,1SS133	GSF	XR-M150	
S	CNTL	D	0316	87-001-731-080	0E	ZENER,HZS6C2L	HTSF	XR-M130	
S	CNTL	D	0316	87-001-731-080	0E	ZENER,HZS6C2L	GSF	XR-M150	

PARTS LIST

! = Δ SAFTY PARTS
 C = Components marked

All components used on this model at the production line are shown in this service manual.

However, please note that not all components will be available as spare parts for after-sales service.

Components marked S and O are designated as spare parts for service and will be stocked at the spare parts centers.

Components marked X and R are not designated as spare parts for after sales service, and will not be stocked at the spare parts centers.

K NO. = Only use japanese.

! C	UNIT NAME	REF NO.	PARTS CODE	K NO.	DESCRIPTION	SUFFIX	MODEL NAME	
S	CNTL	D 0318	87-020-465-080	0E	DIODE,1SS133	HTSF	XR-M130	
S	CNTL	D 0318	87-020-465-080	0E	DIODE,1SS133	GSF	XR-M150	
S	CNTL	D 0320	87-020-465-080	0E	DIODE,1SS133	HTSF	XR-M130	
S	CNTL	D 0320	87-020-465-080	0E	DIODE,1SS133	GSF	XR-M150	
S	CNTL	D 0321	87-020-465-080	0E	DIODE,1SS133	HTSF	XR-M130	
S	CNTL	D 0321	87-020-465-080	0E	DIODE,1SS133	GSF	XR-M150	
S	CNTL	D 0322	87-020-027-080	0E	C-DIODE,1SS184	HTSF	XR-M130	
S	CNTL	D 0322	87-020-027-080	0E	C-DIODE,1SS184	GSF	XR-M150	
S	CNTL	D 0323	87-020-465-080	0E	DIODE,1SS133	HTSF	XR-M130	
S	CNTL	D 0323	87-020-465-080	0E	DIODE,1SS133	GSF	XR-M150	
S	CNTL	D 0325	87-020-465-080	0E	DIODE,1SS133	HTSF	XR-M130	
S	CNTL	D 0325	87-020-465-080	0E	DIODE,1SS133	GSF	XR-M150	
S	CNTL	D 0331	87-020-027-080	0E	C-DIODE,1SS184	HTSF	XR-M130	
S	CNTL	D 0331	87-020-027-080	0E	C-DIODE,1SS184	GSF	XR-M150	
O	CNTL	FL 0301	8A-CL9-682-010	2A	FL,11-BT-179GNK	HTSF	XR-M130	
O	CNTL	FL 0301	8A-CL9-682-010	2A	FL,11-BT-179GNK	GSF	XR-M150	
!	O	CNTL	GFL0001	82-NF7-210-110	0E	GUIDE,FL (*)	HTSF	XR-M130
!	O	CNTL	GFL0001	82-NF7-210-110	0E	GUIDE,FL (*)	GSF	XR-M150
S	CNTL	IC 0301	8A-CL9-681-010	1H	C-IC,M38B57MCH-P239FP	HTSF	XR-M130	
S	CNTL	IC 0301	8A-CL9-681-010	1H	C-IC,M38B57MCH-P239FP	GSF	XR-M150	
S	CNTL	IC 0303	87-A20-914-010	1B	IC,SPS-442-1-F	HTSF	XR-M130	
S	CNTL	IC 0303	87-A20-914-010	1B	IC,SPS-442-1-F	GSF	XR-M150	
X	CNTL	JR 0002	88-118-000-080	0E	C-JUMPER,S	GSF	XR-M150	
X	CNTL	JR 0041	88-118-000-080	0E	C-JUMPER,S	HTSF	XR-M130	
X	CNTL	JR 0041	88-118-000-080	0E	C-JUMPER,S	GSF	XR-M150	
X	CNTL	JR 0042	88-118-000-080	0E	C-JUMPER,S	HTSF	XR-M130	
X	CNTL	JR 0042	88-118-000-080	0E	C-JUMPER,S	GSF	XR-M150	
X	CNTL	JR 0043	88-118-000-080	0E	C-JUMPER,S	HTSF	XR-M130	
X	CNTL	JR 0043	88-118-000-080	0E	C-JUMPER,S	GSF	XR-M150	
X	CNTL	JR 0044	88-129-000-080	0E	C-JUMPER,3216	HTSF	XR-M130	
X	CNTL	JR 0044	88-129-000-080	0E	C-JUMPER,3216	GSF	XR-M150	
X	CNTL	JR 0045	88-129-000-080	0E	C-JUMPER,3216	HTSF	XR-M130	
X	CNTL	JR 0045	88-129-000-080	0E	C-JUMPER,3216	GSF	XR-M150	
X	CNTL	JR 0046	88-129-000-080	0E	C-JUMPER,3216	HTSF	XR-M130	
X	CNTL	JR 0046	88-129-000-080	0E	C-JUMPER,3216	GSF	XR-M150	
X	CNTL	JR 0048	88-118-000-080	0E	C-JUMPER,S	HTSF	XR-M130	
X	CNTL	JR 0048	88-118-000-080	0E	C-JUMPER,S	GSF	XR-M150	
X	CNTL	JR 0100	88-118-000-080	0E	C-JUMPER,S	HTSF	XR-M130	
X	CNTL	JR 0100	88-118-000-080	0E	C-JUMPER,S	GSF	XR-M150	
X	CNTL	JR 0101	88-118-000-080	0E	C-JUMPER,S	HTSF	XR-M130	
X	CNTL	JR 0101	88-118-000-080	0E	C-JUMPER,S	GSF	XR-M150	
X	CNTL	JR 0102	88-118-000-080	0E	C-JUMPER,S	HTSF	XR-M130	
X	CNTL	JR 0102	88-118-000-080	0E	C-JUMPER,S	GSF	XR-M150	
X	CNTL	JR 0103	88-118-000-080	0E	C-JUMPER,S	HTSF	XR-M130	
X	CNTL	JR 0103	88-118-000-080	0E	C-JUMPER,S	GSF	XR-M150	
X	CNTL	JR 0104	88-118-000-080	0E	C-JUMPER,S	HTSF	XR-M130	
X	CNTL	JR 0104	88-118-000-080	0E	C-JUMPER,S	GSF	XR-M150	
X	CNTL	JR 0105	88-129-000-080	0E	C-JUMPER,3216	HTSF	XR-M130	
X	CNTL	JR 0105	88-129-000-080	0E	C-JUMPER,3216	GSF	XR-M150	
X	CNTL	JR 0106	88-129-000-080	0E	C-JUMPER,3216	HTSF	XR-M130	
X	CNTL	JR 0106	88-129-000-080	0E	C-JUMPER,3216	GSF	XR-M150	
X	CNTL	JR 0107	88-129-000-080	0E	C-JUMPER,3216	HTSF	XR-M130	
X	CNTL	JR 0107	88-129-000-080	0E	C-JUMPER,3216	GSF	XR-M150	
X	CNTL	JR 0108	88-129-000-080	0E	C-JUMPER,3216	HTSF	XR-M130	
X	CNTL	JR 0108	88-129-000-080	0E	C-JUMPER,3216	GSF	XR-M150	
X	CNTL	JR 0109	88-129-000-080	0E	C-JUMPER,3216	HTSF	XR-M130	
X	CNTL	JR 0109	88-129-000-080	0E	C-JUMPER,3216	GSF	XR-M150	
X	CNTL	JR 0110	88-118-000-080	0E	C-JUMPER,S	HTSF	XR-M130	
X	CNTL	JR 0110	88-118-000-080	0E	C-JUMPER,S	GSF	XR-M150	
X	CNTL	JR 0111	88-129-000-080	0E	C-JUMPER,3216	HTSF	XR-M130	
X	CNTL	JR 0111	88-129-000-080	0E	C-JUMPER,3216	GSF	XR-M150	
X	CNTL	JR 0112	88-118-000-080	0E	C-JUMPER,S	HTSF	XR-M130	
X	CNTL	JR 0112	88-118-000-080	0E	C-JUMPER,S	GSF	XR-M150	
X	CNTL	JR 0113	88-129-000-080	0E	C-JUMPER,3216	HTSF	XR-M130	
X	CNTL	JR 0113	88-129-000-080	0E	C-JUMPER,3216	GSF	XR-M150	
X	CNTL	JR 0114	88-118-000-080	0E	C-JUMPER,S	HTSF	XR-M130	
X	CNTL	JR 0114	88-118-000-080	0E	C-JUMPER,S	GSF	XR-M150	
X	CNTL	JR 0115	88-118-000-080	0E	C-JUMPER,S	HTSF	XR-M130	
X	CNTL	JR 0115	88-118-000-080	0E	C-JUMPER,S	GSF	XR-M150	
X	CNTL	JR 0116	88-118-000-080	0E	C-JUMPER,S	HTSF	XR-M130	

PARTS LIST

! = Δ SAFTY PARTS
 C = Components marked

All components used on this model at the production line are shown in this service manual.

However, please note that not all components will be available as spare parts for after-sales service.

Components marked S and O are designated as spare parts for service and will be stocked at the spare parts centers.

Components marked X and R are not designated as spare parts for after sales service, and will not be stocked at the spare parts centers.

K NO. = Only use japanese.

! C	UNIT NAME	REF NO.	PARTS CODE	K NO.	DESCRIPTION	SUFFIX	MODEL NAME
X	CNTL	JR 0116	88-118-000-080	0E	C-JUMPER, S	GSF	XR-M150
X	CNTL	JR 0117	88-118-000-080	0E	C-JUMPER, S	HTSF	XR-M130
X	CNTL	JR 0117	88-118-000-080	0E	C-JUMPER, S	GSF	XR-M150
X	CNTL	JR 0118	88-118-000-080	0E	C-JUMPER, S	HTSF	XR-M130
X	CNTL	JR 0118	88-118-000-080	0E	C-JUMPER, S	GSF	XR-M150
X	CNTL	JR 0119	88-118-000-080	0E	C-JUMPER, S	HTSF	XR-M130
X	CNTL	JR 0119	88-118-000-080	0E	C-JUMPER, S	GSF	XR-M150
X	CNTL	JR 0120	88-118-000-080	0E	C-JUMPER, S	HTSF	XR-M130
X	CNTL	JR 0120	88-118-000-080	0E	C-JUMPER, S	GSF	XR-M150
X	CNTL	JR 0121	88-118-000-080	0E	C-JUMPER, S	HTSF	XR-M130
X	CNTL	JR 0121	88-118-000-080	0E	C-JUMPER, S	GSF	XR-M150
X	CNTL	JR 0122	88-129-000-080	0E	C-JUMPER, 3216	HTSF	XR-M130
X	CNTL	JR 0122	88-129-000-080	0E	C-JUMPER, 3216	GSF	XR-M150
X	CNTL	JR 0123	88-129-000-080	0E	C-JUMPER, 3216	HTSF	XR-M130
X	CNTL	JR 0123	88-129-000-080	0E	C-JUMPER, 3216	GSF	XR-M150
X	CNTL	JR 0124	88-118-000-080	0E	C-JUMPER, S	HTSF	XR-M130
X	CNTL	JR 0124	88-118-000-080	0E	C-JUMPER, S	GSF	XR-M150
X	CNTL	JR 0125	88-129-000-080	0E	C-JUMPER, 3216	HTSF	XR-M130
X	CNTL	JR 0125	88-129-000-080	0E	C-JUMPER, 3216	GSF	XR-M150
X	CNTL	JR 0126	88-129-000-080	0E	C-JUMPER, 3216	HTSF	XR-M130
X	CNTL	JR 0126	88-129-000-080	0E	C-JUMPER, 3216	GSF	XR-M150
X	CNTL	JR 0127	88-118-000-080	0E	C-JUMPER, S	HTSF	XR-M130
X	CNTL	JR 0127	88-118-000-080	0E	C-JUMPER, S	GSF	XR-M150
X	CNTL	JR 0128	88-118-000-080	0E	C-JUMPER, S	HTSF	XR-M130
X	CNTL	JR 0128	88-118-000-080	0E	C-JUMPER, S	GSF	XR-M150
X	CNTL	JR 0130	88-129-000-080	0E	C-JUMPER, 3216	HTSF	XR-M130
X	CNTL	JR 0130	88-129-000-080	0E	C-JUMPER, 3216	GSF	XR-M150
X	CNTL	JR 0131	88-129-000-080	0E	C-JUMPER, 3216	HTSF	XR-M130
X	CNTL	JR 0131	88-129-000-080	0E	C-JUMPER, 3216	GSF	XR-M150
X	CNTL	JR 0132	88-118-000-080	0E	C-JUMPER, S	HTSF	XR-M130
X	CNTL	JR 0132	88-118-000-080	0E	C-JUMPER, S	GSF	XR-M150
X	CNTL	JR 0133	88-129-000-080	0E	C-JUMPER, 3216	HTSF	XR-M130
X	CNTL	JR 0133	88-129-000-080	0E	C-JUMPER, 3216	GSF	XR-M150
X	CNTL	JR 0134	88-129-000-080	0E	C-JUMPER, 3216	HTSF	XR-M130
X	CNTL	JR 0134	88-129-000-080	0E	C-JUMPER, 3216	GSF	XR-M150
X	CNTL	JR 0136	88-118-000-080	0E	C-JUMPER, S	HTSF	XR-M130
X	CNTL	JR 0136	88-118-000-080	0E	C-JUMPER, S	GSF	XR-M150
X	CNTL	JR 0137	88-118-000-080	0E	C-JUMPER, S	HTSF	XR-M130
X	CNTL	JR 0137	88-118-000-080	0E	C-JUMPER, S	GSF	XR-M150
X	CNTL	JR 0138	88-129-000-080	0E	C-JUMPER, 3216	HTSF	XR-M130
X	CNTL	JR 0138	88-129-000-080	0E	C-JUMPER, 3216	GSF	XR-M150
X	CNTL	JR 0139	88-129-000-080	0E	C-JUMPER, 3216	HTSF	XR-M130
X	CNTL	JR 0139	88-129-000-080	0E	C-JUMPER, 3216	GSF	XR-M150
X	CNTL	JR 0140	88-129-000-080	0E	C-JUMPER, 3216	HTSF	XR-M130
X	CNTL	JR 0140	88-129-000-080	0E	C-JUMPER, 3216	GSF	XR-M150
X	CNTL	JR 0141	88-129-000-080	0E	C-JUMPER, 3216	HTSF	XR-M130
X	CNTL	JR 0141	88-129-000-080	0E	C-JUMPER, 3216	GSF	XR-M150
X	CNTL	JR 0142	88-118-000-080	0E	C-JUMPER, S	HTSF	XR-M130
X	CNTL	JR 0142	88-118-000-080	0E	C-JUMPER, S	GSF	XR-M150
X	CNTL	JR 0143	88-118-000-080	0E	C-JUMPER, S	HTSF	XR-M130
X	CNTL	JR 0143	88-118-000-080	0E	C-JUMPER, S	GSF	XR-M150
X	CNTL	JR 0144	88-118-000-080	0E	C-JUMPER, S	HTSF	XR-M130
X	CNTL	JR 0144	88-118-000-080	0E	C-JUMPER, S	GSF	XR-M150
X	CNTL	JR 0145	88-118-000-080	0E	C-JUMPER, S	HTSF	XR-M130
X	CNTL	JR 0145	88-118-000-080	0E	C-JUMPER, S	GSF	XR-M150
X	CNTL	JR 0146	88-118-000-080	0E	C-JUMPER, S	HTSF	XR-M130
X	CNTL	JR 0146	88-118-000-080	0E	C-JUMPER, S	GSF	XR-M150
X	CNTL	JR 0147	88-118-000-080	0E	C-JUMPER, S	HTSF	XR-M130
X	CNTL	JR 0147	88-118-000-080	0E	C-JUMPER, S	GSF	XR-M150
X	CNTL	JR 0148	88-118-000-080	0E	C-JUMPER, S	HTSF	XR-M130
X	CNTL	JR 0148	88-118-000-080	0E	C-JUMPER, S	GSF	XR-M150
X	CNTL	JR 0149	88-118-000-080	0E	C-JUMPER, S	HTSF	XR-M130
X	CNTL	JR 0149	88-118-000-080	0E	C-JUMPER, S	GSF	XR-M150
X	CNTL	JR 0152	88-118-000-080	0E	C-JUMPER, S	HTSF	XR-M130
X	CNTL	JR 0152	88-118-000-080	0E	C-JUMPER, S	GSF	XR-M150
X	CNTL	JR 0154	88-129-000-080	0E	C-JUMPER, 3216	HTSF	XR-M130
X	CNTL	JR 0154	88-129-000-080	0E	C-JUMPER, 3216	GSF	XR-M150
X	CNTL	JR 0159	88-118-000-080	0E	C-JUMPER, S	HTSF	XR-M130
X	CNTL	JR 0159	88-118-000-080	0E	C-JUMPER, S	GSF	XR-M150
X	CNTL	JR 0200	88-129-000-080	0E	C-JUMPER, 3216	HTSF	XR-M130

PARTS LIST

! = Δ SAFTY PARTS
 C = Components marked

All components used on this model at the production line are shown in this service manual.

However, please note that not all components will be available as spare parts for after-sales service.

Components marked S and O are designated as spare parts for service and will be stocked at the spare parts centers.

Components marked X and R are not designated as spare parts for after sales service, and will not be stocked at the spare parts centers.

K NO. = Only use japanese.

! C	UNIT NAME	REF NO.	PARTS CODE	K NO.	DESCRIPTION	SUFFIX	MODEL NAME
X	CNTL	JR 0200	88-129-000-080	0E	C-JUMPER, 3216	GSF	XR-M150
X	CNTL	JR 0201	88-118-000-080	0E	C-JUMPER, S	HTSF	XR-M130
X	CNTL	JR 0201	88-118-000-080	0E	C-JUMPER, S	GSF	XR-M150
X	CNTL	JR 0202	88-118-000-080	0E	C-JUMPER, S	HTSF	XR-M130
X	CNTL	JR 0202	88-118-000-080	0E	C-JUMPER, S	GSF	XR-M150
X	CNTL	JR 0203	88-129-000-080	0E	C-JUMPER, 3216	HTSF	XR-M130
X	CNTL	JR 0203	88-129-000-080	0E	C-JUMPER, 3216	GSF	XR-M150
X	CNTL	JR 0204	88-129-000-080	0E	C-JUMPER, 3216	HTSF	XR-M130
X	CNTL	JR 0204	88-129-000-080	0E	C-JUMPER, 3216	GSF	XR-M150
X	CNTL	JR 0205	88-118-000-080	0E	C-JUMPER, S	HTSF	XR-M130
X	CNTL	JR 0205	88-118-000-080	0E	C-JUMPER, S	GSF	XR-M150
X	CNTL	JR 0206	88-129-000-080	0E	C-JUMPER, 3216	HTSF	XR-M130
X	CNTL	JR 0206	88-129-000-080	0E	C-JUMPER, 3216	GSF	XR-M150
X	CNTL	JR 0207	88-129-000-080	0E	C-JUMPER, 3216	HTSF	XR-M130
X	CNTL	JR 0207	88-129-000-080	0E	C-JUMPER, 3216	GSF	XR-M150
X	CNTL	JR 0210	88-118-000-080	0E	C-JUMPER, S	HTSF	XR-M130
X	CNTL	JR 0210	88-118-000-080	0E	C-JUMPER, S	GSF	XR-M150
X	CNTL	JR 0211	88-118-000-080	0E	C-JUMPER, S	HTSF	XR-M130
X	CNTL	JR 0211	88-118-000-080	0E	C-JUMPER, S	GSF	XR-M150
X	CNTL	JR 0212	88-129-000-080	0E	C-JUMPER, 3216	HTSF	XR-M130
X	CNTL	JR 0212	88-129-000-080	0E	C-JUMPER, 3216	GSF	XR-M150
X	CNTL	JR 0213	88-118-000-080	0E	C-JUMPER, S	HTSF	XR-M130
X	CNTL	JR 0213	88-118-000-080	0E	C-JUMPER, S	GSF	XR-M150
X	CNTL	JR 0460	88-118-000-080	0E	C-JUMPER, S	HTSF	XR-M130
X	CNTL	JR 0460	88-118-000-080	0E	C-JUMPER, S	GSF	XR-M150
O	CNTL	LED0301	87-A40-229-040	0E	LED, SLR-342VR TB7 RED	HTSF	XR-M130
O	CNTL	LED0301	87-A40-229-040	0E	LED, SLR-342VR TB7 RED	GSF	XR-M150
O	CNTL	LED0302	87-A40-619-040	0E	LED, SLR-56PT-T31-W GRN	HTSF	XR-M130
O	CNTL	LED0302	87-A40-619-040	0E	LED, SLR-56PT-T31-W GRN	GSF	XR-M150
O	CNTL	LED0303	87-A40-619-040	0E	LED, SLR-56PT-T31-W GRN	HTSF	XR-M130
O	CNTL	LED0304	87-A40-619-040	0E	LED, SLR-56PT-T31-W GRN	GSF	XR-M150
O	CNTL	LED0304	87-A40-619-040	0E	LED, SLR-56PT-T31-W GRN	HTSF	XR-M130
O	CNTL	LED0305	87-A40-619-040	0E	LED, SLR-56PT-T31-W GRN	GSF	XR-M150
O	CNTL	LED0305	87-A40-619-040	0E	LED, SLR-56PT-T31-W GRN	HTSF	XR-M130
!	S CNTL	PR 0301	87-026-689-080	0E	PROTECTOR, 1A 491SERIES 60V	HTSF	XR-M130
!	S CNTL	PR 0301	87-026-689-080	0E	PROTECTOR, 1A 491SERIES 60V	GSF	XR-M150
S	CNTL	Q 0301	87-026-245-080	0E	TR, DTC114ES	HTSF	XR-M130
S	CNTL	Q 0301	87-026-245-080	0E	TR, DTC114ES	GSF	XR-M150
S	CNTL	Q 0302	89-112-965-080	0E	TR, 2SA1296GR	HTSF	XR-M130
S	CNTL	Q 0302	89-112-965-080	0E	TR, 2SA1296GR	GSF	XR-M150
S	CNTL	Q 0303	89-112-965-080	0E	TR, 2SA1296GR	HTSF	XR-M130
S	CNTL	Q 0303	89-112-965-080	0E	TR, 2SA1296GR	GSF	XR-M150
S	CNTL	Q 0304	89-327-125-080	0E	C-TR, 2SC2712GR	HTSF	XR-M130
S	CNTL	Q 0304	89-327-125-080	0E	C-TR, 2SC2712GR	GSF	XR-M150
S	CNTL	Q 0305	89-327-125-080	0E	C-TR, 2SC2712GR	HTSF	XR-M130
S	CNTL	Q 0305	89-327-125-080	0E	C-TR, 2SC2712GR	GSF	XR-M150
S	CNTL	Q 0306	89-327-125-080	0E	C-TR, 2SC2712GR	HTSF	XR-M130
S	CNTL	Q 0306	89-327-125-080	0E	C-TR, 2SC2712GR	GSF	XR-M150
S	CNTL	Q 0307	89-327-125-080	0E	C-TR, 2SC2712GR	HTSF	XR-M130
S	CNTL	Q 0307	89-327-125-080	0E	C-TR, 2SC2712GR	GSF	XR-M150
S	CNTL	Q 0308	89-327-125-080	0E	C-TR, 2SC2712GR	HTSF	XR-M130
S	CNTL	Q 0308	89-327-125-080	0E	C-TR, 2SC2712GR	GSF	XR-M150
S	CNTL	Q 0309	89-111-624-080	0E	C-TR, 2SA1162Y	HTSF	XR-M130
S	CNTL	Q 0309	89-111-624-080	0E	C-TR, 2SA1162Y	GSF	XR-M150
S	CNTL	Q 0310	87-A30-076-080	0E	C-TR, 2SC3052F	HTSF	XR-M130
S	CNTL	Q 0310	87-A30-076-080	0E	C-TR, 2SC3052F	GSF	XR-M150
S	CNTL	Q 0312	89-327-125-080	0E	C-TR, 2SC2712GR	HTSF	XR-M130
S	CNTL	Q 0312	89-327-125-080	0E	C-TR, 2SC2712GR	GSF	XR-M150
S	CNTL	Q 0313	87-026-235-080	0E	C-TR, DTC114EK	HTSF	XR-M130
S	CNTL	Q 0313	87-026-235-080	0E	C-TR, DTC114EK	GSF	XR-M150
S	CNTL	Q 0314	87-026-610-080	0E	TR, KTC3198GR	HTSF	XR-M130
S	CNTL	Q 0314	87-026-610-080	0E	TR, KTC3198GR	GSF	XR-M150
S	CNTL	Q 0315	87-A30-074-080	0E	C-TR, RT1P 141C	HTSF	XR-M130
S	CNTL	Q 0315	87-A30-074-080	0E	C-TR, RT1P 141C	GSF	XR-M150
S	CNTL	Q 0316	87-A30-074-080	0E	C-TR, RT1P 141C	HTSF	XR-M130
S	CNTL	Q 0316	87-A30-074-080	0E	C-TR, RT1P 141C	GSF	XR-M150
S	CNTL	Q 0400	87-A30-087-080	0E	C-FET, 2SK2158	HTSF	XR-M130
S	CNTL	Q 0400	87-A30-087-080	0E	C-FET, 2SK2158	GSF	XR-M150
S	CNTL	Q 0401	87-A30-087-080	0E	C-FET, 2SK2158	HTSF	XR-M130

PARTS LIST

! = Δ SAFTY PARTS
 C = Components marked

All components used on this model at the production line are shown in this service manual.

However, please note that not all components will be available as spare parts for after-sales service.

Components marked S and O are designated as spare parts for service and will be stocked at the spare parts centers.

Components marked X and R are not designated as spare parts for after sales service, and will not be stocked at the spare parts centers.

K NO. = Only use japanese.

! C	UNIT NAME	REF NO.	PARTS CODE	K NO.	DESCRIPTION	SUFFIX	MODEL NAME	
S	CNTL	Q	0401	87-A30-087-080	0E	C-FET,2SK2158	GSF	XR-M150
X	CNTL	R	0301	88-121-473-080	0E	RES,47K-1/8W J	HTSF	XR-M130
X	CNTL	R	0301	88-121-473-080	0E	RES,47K-1/8W J	GSF	XR-M150
X	CNTL	R	0310	88-118-183-080	0E	C-RES,S 18K-1/10W J	HTSF	XR-M130
X	CNTL	R	0310	88-118-183-080	0E	C-RES,S 18K-1/10W J	GSF	XR-M150
X	CNTL	R	0311	88-118-393-080	0E	C-RES,S 39K-1/10W J	HTSF	XR-M130
X	CNTL	R	0311	88-118-393-080	0E	C-RES,S 39K-1/10W J	GSF	XR-M150
X	CNTL	R	0312	88-118-103-080	0E	C-RES,S 10K-1/10W J	HTSF	XR-M130
X	CNTL	R	0312	88-118-103-080	0E	C-RES,S 10K-1/10W J	GSF	XR-M150
X	CNTL	R	0313	88-121-103-080	0E	RES,10K-1/8W J	HTSF	XR-M130
X	CNTL	R	0313	88-121-103-080	0E	RES,10K-1/8W J	GSF	XR-M150
X	CNTL	R	0314	88-130-129-080	0E	RES,1.2-1/4W J	HTSF	XR-M130
X	CNTL	R	0314	88-130-129-080	0E	RES,1.2-1/4W J	GSF	XR-M150
X	CNTL	R	0315	88-118-102-080	0E	C-RES,S 1K-1/10W J	HTSF	XR-M130
X	CNTL	R	0315	88-118-102-080	0E	C-RES,S 1K-1/10W J	GSF	XR-M150
X	CNTL	R	0316	88-118-223-080	0E	C-RES,S 22K-1/10W J	HTSF	XR-M130
X	CNTL	R	0316	88-118-223-080	0E	C-RES,S 22K-1/10W J	GSF	XR-M150
X	CNTL	R	0317	88-118-103-080	0E	C-RES,S 10K-1/10W J	HTSF	XR-M130
X	CNTL	R	0317	88-118-103-080	0E	C-RES,S 10K-1/10W J	GSF	XR-M150
X	CNTL	R	0318	88-118-222-080	0E	C-RES,S 2.2K-1/10W J	HTSF	XR-M130
X	CNTL	R	0318	88-118-222-080	0E	C-RES,S 2.2K-1/10W J	GSF	XR-M150
X	CNTL	R	0320	88-118-332-080	0E	C-RES,S 3.3K-1/10W J	HTSF	XR-M130
X	CNTL	R	0320	88-118-332-080	0E	C-RES,S 3.3K-1/10W J	GSF	XR-M150
X	CNTL	R	0321	88-118-272-080	0E	C-RES,S 2.7K-1/10W J	HTSF	XR-M130
X	CNTL	R	0321	88-118-272-080	0E	C-RES,S 2.7K-1/10W J	GSF	XR-M150
X	CNTL	R	0322	88-118-272-080	0E	C-RES,S 2.7K-1/10W J	HTSF	XR-M130
X	CNTL	R	0322	88-118-272-080	0E	C-RES,S 2.7K-1/10W J	GSF	XR-M150
X	CNTL	R	0323	88-118-222-080	0E	C-RES,S 2.2K-1/10W J	HTSF	XR-M130
X	CNTL	R	0323	88-118-222-080	0E	C-RES,S 2.2K-1/10W J	GSF	XR-M150
X	CNTL	R	0324	88-121-222-080	0E	RES,2.2K-1/8W J	HTSF	XR-M130
X	CNTL	R	0324	88-121-222-080	0E	RES,2.2K-1/8W J	GSF	XR-M150
X	CNTL	R	0325	88-118-152-080	0E	C-RES,S 1.5K-1/10W J	HTSF	XR-M130
X	CNTL	R	0325	88-118-152-080	0E	C-RES,S 1.5K-1/10W J	GSF	XR-M150
X	CNTL	R	0326	88-118-152-080	0E	C-RES,S 1.5K-1/10W J	HTSF	XR-M130
X	CNTL	R	0326	88-118-152-080	0E	C-RES,S 1.5K-1/10W J	GSF	XR-M150
X	CNTL	R	0327	88-121-122-080	0E	RES,1.2K-1/8W J	HTSF	XR-M130
X	CNTL	R	0327	88-121-122-080	0E	RES,1.2K-1/8W J	GSF	XR-M150
X	CNTL	R	0328	88-118-122-080	0E	C-RES,S 1.2K-1/10W J	HTSF	XR-M130
X	CNTL	R	0328	88-118-122-080	0E	C-RES,S 1.2K-1/10W J	GSF	XR-M150
X	CNTL	R	0329	88-121-122-080	0E	RES,1.2K-1/8W J	HTSF	XR-M130
X	CNTL	R	0329	88-121-122-080	0E	RES,1.2K-1/8W J	GSF	XR-M150
X	CNTL	R	0330	88-118-122-080	0E	C-RES,S 1.2K-1/10W J	HTSF	XR-M130
X	CNTL	R	0330	88-118-122-080	0E	C-RES,S 1.2K-1/10W J	GSF	XR-M150
X	CNTL	R	0331	88-128-102-080	0E	C-RES, 1K-1/8W J	HTSF	XR-M130
X	CNTL	R	0331	88-128-102-080	0E	C-RES, 1K-1/8W J	GSF	XR-M150
X	CNTL	R	0332	88-118-102-080	0E	C-RES,S 1K-1/10W J	HTSF	XR-M130
X	CNTL	R	0332	88-118-102-080	0E	C-RES,S 1K-1/10W J	GSF	XR-M150
X	CNTL	R	0333	88-118-821-080	0E	C-RES,S 820-1/10W J	HTSF	XR-M130
X	CNTL	R	0333	88-118-821-080	0E	C-RES,S 820-1/10W J	GSF	XR-M150
X	CNTL	R	0334	88-118-821-080	0E	C-RES,S 820-1/10W J	HTSF	XR-M130
X	CNTL	R	0334	88-118-821-080	0E	C-RES,S 820-1/10W J	GSF	XR-M150
X	CNTL	R	0335	88-128-102-080	0E	C-RES, 1K-1/8W J	HTSF	XR-M130
X	CNTL	R	0335	88-128-102-080	0E	C-RES, 1K-1/8W J	GSF	XR-M150
X	CNTL	R	0336	88-118-102-080	0E	C-RES,S 1K-1/10W J	HTSF	XR-M130
X	CNTL	R	0336	88-118-102-080	0E	C-RES,S 1K-1/10W J	GSF	XR-M150
X	CNTL	R	0337	88-118-103-080	0E	C-RES,S 10K-1/10W J	HTSF	XR-M130
X	CNTL	R	0337	88-118-103-080	0E	C-RES,S 10K-1/10W J	GSF	XR-M150
X	CNTL	R	0338	88-118-103-080	0E	C-RES,S 10K-1/10W J	HTSF	XR-M130
X	CNTL	R	0338	88-118-103-080	0E	C-RES,S 10K-1/10W J	GSF	XR-M150
X	CNTL	R	0339	88-118-103-080	0E	C-RES,S 10K-1/10W J	HTSF	XR-M130
X	CNTL	R	0339	88-118-103-080	0E	C-RES,S 10K-1/10W J	GSF	XR-M150
X	CNTL	R	0340	88-118-103-080	0E	C-RES,S 10K-1/10W J	HTSF	XR-M130
X	CNTL	R	0340	88-118-103-080	0E	C-RES,S 10K-1/10W J	GSF	XR-M150
X	CNTL	R	0341	88-118-222-080	0E	C-RES,S 2.2K-1/10W J	HTSF	XR-M130
X	CNTL	R	0341	88-118-222-080	0E	C-RES,S 2.2K-1/10W J	GSF	XR-M150
X	CNTL	R	0342	88-118-222-080	0E	C-RES,S 2.2K-1/10W J	HTSF	XR-M130
X	CNTL	R	0342	88-118-222-080	0E	C-RES,S 2.2K-1/10W J	GSF	XR-M150
X	CNTL	R	0344	88-128-563-080	0E	C-RES, 56K-1/8W J	HTSF	XR-M130
X	CNTL	R	0344	88-128-563-080	0E	C-RES, 56K-1/8W J	GSF	XR-M150
X	CNTL	R	0345	88-118-101-080	0E	C-RES,S 100-1/10W J	HTSF	XR-M130

PARTS LIST

! = SAFETY PARTS
 C = Components marked

All components used on this model at the production line are shown in this service manual.

However, please note that not all components will be available as spare parts for after-sales service.

Components marked S and O are designated as spare parts for service and will be stocked at the spare parts centers.

Components marked X and R are not designated as spare parts for after sales service, and will not be stocked at the spare parts centers.

K NO. = Only use Japanese.

! C	UNIT NAME	REF NO.	PARTS CODE	K NO.	DESCRIPTION	SUFFIX	MODEL NAME
X	CNTL	R 0345	88-118-101-080	0E	C-RES,S 100-1/10W J	GSF	XR-M150
X	CNTL	R 0346	88-118-152-080	0E	C-RES,S 1.5K-1/10W J	HTSF	XR-M130
X	CNTL	R 0346	88-118-152-080	0E	C-RES,S 1.5K-1/10W J	GSF	XR-M150
X	CNTL	R 0347	88-118-102-080	0E	C-RES,S 1K-1/10W J	HTSF	XR-M130
X	CNTL	R 0347	88-118-102-080	0E	C-RES,S 1K-1/10W J	GSF	XR-M150
X	CNTL	R 0348	88-118-183-080	0E	C-RES,S 18K-1/10W J	HTSF	XR-M130
X	CNTL	R 0348	88-118-183-080	0E	C-RES,S 18K-1/10W J	GSF	XR-M150
X	CNTL	R 0349	88-118-682-080	0E	C-RES,S 6.8K-1/10W J	HTSF	XR-M130
X	CNTL	R 0349	88-118-682-080	0E	C-RES,S 6.8K-1/10W J	GSF	XR-M150
X	CNTL	R 0350	88-118-473-080	0E	C-RES,S 47K-1/10W J	HTSF	XR-M130
X	CNTL	R 0350	88-118-473-080	0E	C-RES,S 47K-1/10W J	GSF	XR-M150
X	CNTL	R 0351	88-118-471-080	0E	C-RES,S 470-1/10W J	HTSF	XR-M130
X	CNTL	R 0351	88-118-471-080	0E	C-RES,S 470-1/10W J	GSF	XR-M150
X	CNTL	R 0352	88-118-471-080	0E	C-RES,S 470-1/10W J	HTSF	XR-M130
X	CNTL	R 0352	88-118-471-080	0E	C-RES,S 470-1/10W J	GSF	XR-M150
X	CNTL	R 0353	88-118-471-080	0E	C-RES,S 470-1/10W J	HTSF	XR-M130
X	CNTL	R 0353	88-118-471-080	0E	C-RES,S 470-1/10W J	GSF	XR-M150
X	CNTL	R 0354	88-118-471-080	0E	C-RES,S 470-1/10W J	HTSF	XR-M130
X	CNTL	R 0354	88-118-471-080	0E	C-RES,S 470-1/10W J	GSF	XR-M150
X	CNTL	R 0355	88-108-103-080	0E	C-RES,U 10K-1/16W J	HTSF	XR-M130
X	CNTL	R 0355	88-108-103-080	0E	C-RES,U 10K-1/16W J	GSF	XR-M150
X	CNTL	R 0356	88-118-103-080	0E	C-RES,S 10K-1/10W J	HTSF	XR-M130
X	CNTL	R 0356	88-118-103-080	0E	C-RES,S 10K-1/10W J	GSF	XR-M150
X	CNTL	R 0357	88-118-103-080	0E	C-RES,S 10K-1/10W J	HTSF	XR-M130
X	CNTL	R 0357	88-118-103-080	0E	C-RES,S 10K-1/10W J	GSF	XR-M150
X	CNTL	R 0358	88-118-103-080	0E	C-RES,S 10K-1/10W J	HTSF	XR-M130
X	CNTL	R 0358	88-118-103-080	0E	C-RES,S 10K-1/10W J	GSF	XR-M150
X	CNTL	R 0361	88-118-221-080	0E	C-RES,S 220-1/10W J	HTSF	XR-M130
X	CNTL	R 0361	88-118-221-080	0E	C-RES,S 220-1/10W J	GSF	XR-M150
X	CNTL	R 0362	88-128-470-080	0E	C-RES, 47-1/8W J	HTSF	XR-M130
X	CNTL	R 0362	88-128-470-080	0E	C-RES, 47-1/8W J	GSF	XR-M150
X	CNTL	R 0363	88-128-470-080	0E	C-RES, 47-1/8W J	HTSF	XR-M130
X	CNTL	R 0363	88-128-470-080	0E	C-RES, 47-1/8W J	GSF	XR-M150
X	CNTL	R 0364	88-118-561-080	0E	C-RES,S 560-1/10W J	HTSF	XR-M130
X	CNTL	R 0364	88-118-561-080	0E	C-RES,S 560-1/10W J	GSF	XR-M150
X	CNTL	R 0365	88-118-104-080	0E	C-RES,S 100K-1/10W J	HTSF	XR-M130
X	CNTL	R 0365	88-118-104-080	0E	C-RES,S 100K-1/10W J	GSF	XR-M150
X	CNTL	R 0366	88-121-104-080	0E	RES,100K-1/8W J	HTSF	XR-M130
X	CNTL	R 0366	88-121-104-080	0E	RES,100K-1/8W J	GSF	XR-M150
X	CNTL	R 0367	88-108-104-080	0E	C-RES,U 100K-1/16W J	HTSF	XR-M130
X	CNTL	R 0367	88-108-104-080	0E	C-RES,U 100K-1/16W J	GSF	XR-M150
X	CNTL	R 0368	88-118-683-080	0E	C-RES,S 68K-1/10W J	HTSF	XR-M130
X	CNTL	R 0368	88-118-683-080	0E	C-RES,S 68K-1/10W J	GSF	XR-M150
X	CNTL	R 0369	88-118-683-080	0E	C-RES,S 68K-1/10W J	HTSF	XR-M130
X	CNTL	R 0369	88-118-683-080	0E	C-RES,S 68K-1/10W J	GSF	XR-M150
X	CNTL	R 0370	88-118-823-080	0E	C-RES,S 82K-1/10W J	HTSF	XR-M130
X	CNTL	R 0370	88-118-823-080	0E	C-RES,S 82K-1/10W J	GSF	XR-M150
X	CNTL	R 0371	88-118-224-080	0E	C-RES,S 220K-1/10W J	HTSF	XR-M130
X	CNTL	R 0371	88-118-224-080	0E	C-RES,S 220K-1/10W J	GSF	XR-M150
X	CNTL	R 0372	88-118-333-080	0E	C-RES,S 33K-1/10W J	HTSF	XR-M130
X	CNTL	R 0372	88-118-333-080	0E	C-RES,S 33K-1/10W J	GSF	XR-M150
X	CNTL	R 0373	88-118-153-080	0E	C-RES,S 15K-1/10W J	HTSF	XR-M130
X	CNTL	R 0373	88-118-153-080	0E	C-RES,S 15K-1/10W J	GSF	XR-M150
X	CNTL	R 0374	88-108-472-080	0E	C-RES,U 4.7K-1/16W J	HTSF	XR-M130
X	CNTL	R 0374	88-108-472-080	0E	C-RES,U 4.7K-1/16W J	GSF	XR-M150
X	CNTL	R 0375	88-108-224-080	0E	C-RES,U 220K-1/16W J	HTSF	XR-M130
X	CNTL	R 0375	88-108-224-080	0E	C-RES,U 220K-1/16W J	GSF	XR-M150
X	CNTL	R 0377	88-118-101-080	0E	C-RES,S 100-1/10W J	HTSF	XR-M130
X	CNTL	R 0377	88-118-101-080	0E	C-RES,S 100-1/10W J	GSF	XR-M150
X	CNTL	R 0379	88-118-152-080	0E	C-RES,S 1.5K-1/10W J	HTSF	XR-M130
X	CNTL	R 0379	88-118-152-080	0E	C-RES,S 1.5K-1/10W J	GSF	XR-M150
X	CNTL	R 0383	88-118-103-080	0E	C-RES,S 10K-1/10W J	HTSF	XR-M130
X	CNTL	R 0383	88-118-103-080	0E	C-RES,S 10K-1/10W J	GSF	XR-M150
X	CNTL	R 0384	88-118-472-080	0E	C-RES,S 4.7K-1/10W J	HTSF	XR-M130
X	CNTL	R 0384	88-118-472-080	0E	C-RES,S 4.7K-1/10W J	GSF	XR-M150
X	CNTL	R 0385	88-118-223-080	0E	C-RES,S 22K-1/10W J	HTSF	XR-M130
X	CNTL	R 0385	88-118-223-080	0E	C-RES,S 22K-1/10W J	GSF	XR-M150
X	CNTL	R 0386	88-121-100-080	0E	RES,10-1/8W J	HTSF	XR-M130
X	CNTL	R 0386	88-121-100-080	0E	RES,10-1/8W J	GSF	XR-M150
X	CNTL	R 0387	88-118-391-080	0E	C-RES,S 390-1/10W J	HTSF	XR-M130

PARTS LIST

! = Δ SAFTY PARTS
 C = Components marked

All components used on this model at the production line are shown in this service manual.

However, please note that not all components will be available as spare parts for after-sales service.

Components marked S and O are designated as spare parts for service and will be stocked at the spare parts centers.

Components marked X and R are not designated as spare parts for after sales service, and will not be stocked at the spare parts centers.

K NO. = Only use Japanese.

! C	UNIT NAME	REF NO.	PARTS CODE	K NO.	DESCRIPTION	SUFFIX	MODEL NAME	
X	CNTL	R	0387	88-118-391-080	0E	C-RES,S 390-1/10W J	GSF	XR-M150
X	CNTL	R	0388	88-118-391-080	0E	C-RES,S 390-1/10W J	HTSF	XR-M130
X	CNTL	R	0388	88-118-391-080	0E	C-RES,S 390-1/10W J	GSF	XR-M150
X	CNTL	R	0389	88-128-391-080	0E	C-RES, 390-1/8W J	HTSF	XR-M130
X	CNTL	R	0389	88-128-391-080	0E	C-RES, 390-1/8W J	GSF	XR-M150
X	CNTL	R	0390	88-118-391-080	0E	C-RES,S 390-1/10W J	HTSF	XR-M130
X	CNTL	R	0390	88-118-391-080	0E	C-RES,S 390-1/10W J	GSF	XR-M150
X	CNTL	R	0391	88-118-152-080	0E	C-RES,S 1.5K-1/10W J	HTSF	XR-M130
X	CNTL	R	0391	88-118-152-080	0E	C-RES,S 1.5K-1/10W J	GSF	XR-M150
X	CNTL	R	0392	88-118-473-080	0E	C-RES,S 47K-1/10W J	HTSF	XR-M130
X	CNTL	R	0392	88-118-473-080	0E	C-RES,S 47K-1/10W J	GSF	XR-M150
X	CNTL	R	0393	88-118-103-080	0E	C-RES,S 10K-1/10W J	HTSF	XR-M130
X	CNTL	R	0393	88-118-103-080	0E	C-RES,S 10K-1/10W J	GSF	XR-M150
X	CNTL	R	0394	88-128-102-080	0E	C-RES, 1K-1/8W J	HTSF	XR-M130
X	CNTL	R	0394	88-128-102-080	0E	C-RES, 1K-1/8W J	GSF	XR-M150
X	CNTL	R	0403	88-118-104-080	0E	C-RES,S 100K-1/10W J	HTSF	XR-M130
X	CNTL	R	0403	88-118-104-080	0E	C-RES,S 100K-1/10W J	GSF	XR-M150
X	CNTL	R	0404	88-128-104-080	0E	C-RES, 100K-1/8W J	HTSF	XR-M130
X	CNTL	R	0404	88-128-104-080	0E	C-RES, 100K-1/8W J	GSF	XR-M150
X	CNTL	R	0405	88-128-104-080	0E	C-RES, 100K-1/8W J	HTSF	XR-M130
X	CNTL	R	0405	88-128-104-080	0E	C-RES, 100K-1/8W J	GSF	XR-M150
X	CNTL	R	0406	88-128-104-080	0E	C-RES, 100K-1/8W J	HTSF	XR-M130
X	CNTL	R	0406	88-128-104-080	0E	C-RES, 100K-1/8W J	GSF	XR-M150
X	CNTL	R	0410	88-118-472-080	0E	C-RES,S 4.7K-1/10W J	HTSF	XR-M130
X	CNTL	R	0410	88-118-472-080	0E	C-RES,S 4.7K-1/10W J	GSF	XR-M150
X	CNTL	R	0411	88-118-152-080	0E	C-RES,S 1.5K-1/10W J	HTSF	XR-M130
X	CNTL	R	0411	88-118-152-080	0E	C-RES,S 1.5K-1/10W J	GSF	XR-M150
X	CNTL	R	0437	88-118-104-080	0E	C-RES,S 100K-1/10W J	HTSF	XR-M130
X	CNTL	R	0437	88-118-104-080	0E	C-RES,S 100K-1/10W J	GSF	XR-M150
X	CNTL	R	0438	88-128-104-080	0E	C-RES, 100K-1/8W J	HTSF	XR-M130
X	CNTL	R	0438	88-128-104-080	0E	C-RES, 100K-1/8W J	GSF	XR-M150
X	CNTL	R	0439	88-118-475-080	0E	C-RES,S 4.7M-1/10W J	HTSF	XR-M130
X	CNTL	R	0439	88-118-475-080	0E	C-RES,S 4.7M-1/10W J	GSF	XR-M150
X	CNTL	R	0440	88-118-103-080	0E	C-RES,S 10K-1/10W J	HTSF	XR-M130
X	CNTL	R	0440	88-118-103-080	0E	C-RES,S 10K-1/10W J	GSF	XR-M150
X	CNTL	R	0441	88-118-104-080	0E	C-RES,S 100K-1/10W J	HTSF	XR-M130
X	CNTL	R	0441	88-118-104-080	0E	C-RES,S 100K-1/10W J	GSF	XR-M150
X	CNTL	R	0442	88-118-103-080	0E	C-RES,S 10K-1/10W J	HTSF	XR-M130
X	CNTL	R	0442	88-118-103-080	0E	C-RES,S 10K-1/10W J	GSF	XR-M150
X	CNTL	R	0443	88-118-183-080	0E	C-RES,S 18K-1/10W J	HTSF	XR-M130
X	CNTL	R	0443	88-118-183-080	0E	C-RES,S 18K-1/10W J	GSF	XR-M150
X	CNTL	R	0448	88-128-122-080	0E	C-RES, 1.2K-1/8W J	HTSF	XR-M130
X	CNTL	R	0448	88-128-122-080	0E	C-RES, 1.2K-1/8W J	GSF	XR-M150
X	CNTL	R	0500	88-118-104-080	0E	C-RES,S 100K-1/10W J	HTSF	XR-M130
X	CNTL	R	0500	88-118-104-080	0E	C-RES,S 100K-1/10W J	GSF	XR-M150
X	CNTL	R	0501	88-118-332-080	0E	C-RES,S 3.3K-1/10W J	HTSF	XR-M130
X	CNTL	R	0501	88-118-332-080	0E	C-RES,S 3.3K-1/10W J	GSF	XR-M150
X	CNTL	R	0600	88-118-473-080	0E	C-RES,S 47K-1/10W J	HTSF	XR-M130
X	CNTL	R	0600	88-118-473-080	0E	C-RES,S 47K-1/10W J	GSF	XR-M150
O	CNTL	S	0301	87-A90-095-080	0E	SW,TACT EVQ11G04M	HTSF	XR-M130
O	CNTL	S	0301	87-A90-095-080	0E	SW,TACT EVQ11G04M	GSF	XR-M150
O	CNTL	S	0302	87-A90-095-080	0E	SW,TACT EVQ11G04M	HTSF	XR-M130
O	CNTL	S	0302	87-A90-095-080	0E	SW,TACT EVQ11G04M	GSF	XR-M150
O	CNTL	S	0303	87-A90-095-080	0E	SW,TACT EVQ11G04M	HTSF	XR-M130
O	CNTL	S	0303	87-A90-095-080	0E	SW,TACT EVQ11G04M	GSF	XR-M150
O	CNTL	S	0304	87-A90-095-080	0E	SW,TACT EVQ11G04M	HTSF	XR-M130
O	CNTL	S	0304	87-A90-095-080	0E	SW,TACT EVQ11G04M	GSF	XR-M150
O	CNTL	S	0305	87-A90-095-080	0E	SW,TACT EVQ11G04M	HTSF	XR-M130
O	CNTL	S	0305	87-A90-095-080	0E	SW,TACT EVQ11G04M	GSF	XR-M150
O	CNTL	S	0306	87-A90-095-080	0E	SW,TACT EVQ11G04M	HTSF	XR-M130
O	CNTL	S	0306	87-A90-095-080	0E	SW,TACT EVQ11G04M	GSF	XR-M150
O	CNTL	S	0307	87-A90-095-080	0E	SW,TACT EVQ11G04M	HTSF	XR-M130
O	CNTL	S	0307	87-A90-095-080	0E	SW,TACT EVQ11G04M	GSF	XR-M150
O	CNTL	S	0308	87-A90-095-080	0E	SW,TACT EVQ11G04M	HTSF	XR-M130
O	CNTL	S	0308	87-A90-095-080	0E	SW,TACT EVQ11G04M	GSF	XR-M150
O	CNTL	S	0309	87-A90-095-080	0E	SW,TACT EVQ11G04M	HTSF	XR-M130
O	CNTL	S	0309	87-A90-095-080	0E	SW,TACT EVQ11G04M	GSF	XR-M150
O	CNTL	S	0310	87-A90-095-080	0E	SW,TACT EVQ11G04M	HTSF	XR-M130
O	CNTL	S	0310	87-A90-095-080	0E	SW,TACT EVQ11G04M	GSF	XR-M150
O	CNTL	S	0311	87-A90-095-080	0E	SW,TACT EVQ11G04M	HTSF	XR-M130

PARTS LIST

! = Δ SAFTY PARTS
 C = Components marked

All components used on this model at the production line are shown in this service manual.

However, please note that not all components will be available as spare parts for after-sales service.

Components marked S and O are designated as spare parts for service and will be stocked at the spare parts centers.

Components marked X and R are not designated as spare parts for after sales service, and will not be stocked at the spare parts centers.

K NO. = Only use japanese.

! C	UNIT NAME	REF NO.	PARTS CODE	K NO.	DESCRIPTION	SUFFIX	MODEL NAME	
O	CNTL	S	0311	87-A90-095-080	0E	SW,TACT EVQ11G04M	GSF XR-M150	
O	CNTL	S	0312	87-A90-095-080	0E	SW,TACT EVQ11G04M	HTSF XR-M130	
O	CNTL	S	0312	87-A90-095-080	0E	SW,TACT EVQ11G04M	GSF XR-M150	
O	CNTL	S	0313	87-A90-095-080	0E	SW,TACT EVQ11G04M	HTSF XR-M130	
O	CNTL	S	0313	87-A90-095-080	0E	SW,TACT EVQ11G04M	GSF XR-M150	
O	CNTL	S	0314	87-A90-095-080	0E	SW,TACT EVQ11G04M	HTSF XR-M130	
O	CNTL	S	0314	87-A90-095-080	0E	SW,TACT EVQ11G04M	GSF XR-M150	
O	CNTL	S	0315	87-A90-095-080	0E	SW,TACT EVQ11G04M	HTSF XR-M130	
O	CNTL	S	0315	87-A90-095-080	0E	SW,TACT EVQ11G04M	GSF XR-M150	
O	CNTL	S	0316	87-A90-095-080	0E	SW,TACT EVQ11G04M	HTSF XR-M130	
O	CNTL	S	0316	87-A90-095-080	0E	SW,TACT EVQ11G04M	GSF XR-M150	
O	CNTL	S	0317	87-A90-095-080	0E	SW,TACT EVQ11G04M	HTSF XR-M130	
O	CNTL	S	0317	87-A90-095-080	0E	SW,TACT EVQ11G04M	GSF XR-M150	
O	CNTL	S	0318	87-A90-095-080	0E	SW,TACT EVQ11G04M	HTSF XR-M130	
O	CNTL	S	0318	87-A90-095-080	0E	SW,TACT EVQ11G04M	GSF XR-M150	
O	CNTL	S	0320	87-A90-095-080	0E	SW,TACT EVQ11G04M	HTSF XR-M130	
O	CNTL	S	0320	87-A90-095-080	0E	SW,TACT EVQ11G04M	GSF XR-M150	
O	CNTL	S	0351	87-A91-690-010	1A	SW,RTRY JOG RE0121PVB25FINB	HTSF XR-M130	
O	CNTL	S	0351	87-A91-690-010	1A	SW,RTRY JOG RE0121PVB25FINB	GSF XR-M150	
O	CNTL	X	0301	87-030-375-080	1A	VIB,CER 4.194MHZ CSA MG200	HTSF XR-M130	
O	CNTL	X	0301	87-030-375-080	1A	VIB,CER 4.194MHZ CSA MG200	GSF XR-M150	
O	ELECTRICAL			87-018-101-080	0E	CAP,TC U 5.6P-50 K SL UP050	GSF XR-M150	
O	ELECTRICAL			87-018-119-080	0E	CAP,TC U 100P-50 K B UP050	HTSF XR-M130	
O	ELECTRICAL			87-018-119-080	0E	CAP,TC U 100P-50 K B UP050	GSF XR-M150	
O	ELECTRICAL			87-067-703-010	0E	BVT2+3-10 W/O SLOT	HTSF XR-M130	
O	ELECTRICAL			87-067-703-010	0E	BVT2+3-10 W/O SLOT	GSF XR-M150	
!	O	ELECTRICAL		87-A80-146-010	1C	AC CORD ASSY,G	GSF XR-M150	
!	O	ELECTRICAL		87-A80-157-010	1B	AC CORD ASSY,E BLK CC	HTSF XR-M130	
X	O	ELECTRICAL		87-A90-230-010	0E	CABLE TIE,CV100(N)	HTSF XR-M130	
X	O	ELECTRICAL		87-A90-230-010	0E	CABLE TIE,CV100(N)	GSF XR-M150	
O	ELECTRICAL			87-A90-562-010	1A	FF-BEAD,9.5-17.5-28.5 BRH	GSF XR-M150	
O	ELECTRICAL			88-905-231-110	0E	FF-CABLE, 5P 1.25 230MM	HTSF XR-M130	
O	ELECTRICAL			88-905-231-110	0E	FF-CABLE, 5P 1.25 230MM	GSF XR-M150	
O	ELECTRICAL			88-906-131-110	0E	FF-CABLE,6P 1.25	HTSF XR-M130	
O	ELECTRICAL			88-906-131-110	0E	FF-CABLE,6P 1.25	GSF XR-M150	
O	ELECTRICAL			88-915-231-110	1A	FF-CABLE, 15P 1.25 230MM	HTSF XR-M130	
O	ELECTRICAL			88-915-231-110	1A	FF-CABLE, 15P 1.25 230MM	GSF XR-M150	
O	ELECTRICAL			88-CL4-701-010	1B	CONN ASSY,7P RPEH	HTSF XR-M130	
O	ELECTRICAL			88-CL4-701-010	1B	CONN ASSY,7P RPEH	GSF XR-M150	
O	ELECTRICAL			88-CL4-704-010	1A	FF-CABLE, 16P 1.0	HTSF XR-M130	
O	ELECTRICAL			88-CL4-704-010	1A	FF-CABLE, 16P 1.0	GSF XR-M150	
X	ELECTRICAL			88-CL4-707-010	0E	WIRE ASSY, 1P(DECK)	HTSF XR-M130	
X	ELECTRICAL			88-CL4-707-010	0E	WIRE ASSY, 1P(DECK)	GSF XR-M150	
X	ELECTRICAL			89-940-151-110	0E	WIRE,UXO-15-3	GSF XR-M150	
X	ELECTRICAL			8A-CL9-501-010	0E	SH,SHIELD TUNER	GSF XR-M150	
X	ELECTRICAL			A8-ZZA-18U-040	--	ZZA-1 EZKG RPNF	GSF XR-M150	
X	ELECTRICAL			A8-ZZA-19W-070	--	ZZA-1 YHE2BRTNC	HTSF XR-M130	
X	ELECTRICAL	*		8A-CL9-210-010	1H	HT-SINK,MAIN	HTSF XR-M130	
X	ELECTRICAL	*		8A-CL9-210-010	1H	HT-SINK,MAIN	GSF XR-M150	
!	S	ELECTRICAL	F	0101	87-035-454-010	0E	FUSE,1.6A 250V T 218	HTSF XR-M130
!	O	ELECTRICAL	PT	0101	8A-CL9-643-010	2A	PT,EZ	GSF XR-M150
!	O	ELECTRICAL	PT	0101	8A-CL9-644-010	2A	PT,LH	HTSF XR-M130
O	KNOB			8A-CL9-062-010	1A	KEY,POWER	HTSF XR-M130	
O	KNOB			8A-CL9-062-010	1A	KEY,POWER	GSF XR-M150	
O	KNOB			8A-CL9-063-010	1B	KEY,FUNC ASSY	HTSF XR-M130	
O	KNOB			8A-CL9-063-010	1B	KEY,FUNC ASSY	GSF XR-M150	
X	KNOB			8A-CL9-064-010	--	KEY,FUNC	HTSF XR-M130	
X	KNOB			8A-CL9-064-010	--	KEY,FUNC	GSF XR-M150	
O	KNOB			8A-CL9-065-010	1A	KEY,OPEN	HTSF XR-M130	
O	KNOB			8A-CL9-065-010	1A	KEY,OPEN	GSF XR-M150	
O	KNOB			8A-CL9-066-010	1B	KEY,CONTROL	HTSF XR-M130	
O	KNOB			8A-CL9-066-010	1B	KEY,CONTROL	GSF XR-M150	
O	KNOB			8A-CL9-067-010	1A	KEY,Q-SOUND	HTSF XR-M130	
O	KNOB			8A-CL9-067-010	1A	KEY,Q-SOUND	GSF XR-M150	
O	KNOB			8A-CL9-068-010	1A	KEY,JOGMODE	HTSF XR-M130	
O	KNOB			8A-CL9-068-010	1A	KEY,JOGMODE	GSF XR-M150	
O	KNOB			8A-CL9-069-010	1A	KEY,DEMO	HTSF XR-M130	
O	KNOB			8A-CL9-069-010	1A	KEY,DEMO	GSF XR-M150	
O	KNOB			8A-CL9-080-010	1A	KNOB,RTRY VOLUME	HTSF XR-M130	
O	KNOB			8A-CL9-080-010	1A	KNOB,RTRY VOLUME	GSF XR-M150	

PARTS LIST

! = Δ SAFTY PARTS
 C = Components marked

All components used on this model at the production line are shown in this service manual.

However, please note that not all components will be available as spare parts for after-sales service.

Components marked S and O are designated as spare parts for service and will be stocked at the spare parts centers.

Components marked X and R are not designated as spare parts for after sales service, and will not be stocked at the spare parts centers.

K NO. = Only use Japanese.

! C	UNIT NAME	REF NO.	PARTS CODE	K NO.	DESCRIPTION	SUFFIX	MODEL NAME
X	KNOB		8A-CL9-205-010	--	FRAME,KEY-FUNC	HTSF	XR-M130
X	KNOB		8A-CL9-205-010	--	FRAME,KEY-FUNC	GSF	XR-M150
!	O OTHERS		82-NF5-229-010	0E	PLATE,LOCK(*)	HTSF	XR-M130
!	O OTHERS		82-NF5-229-010	0E	PLATE,LOCK(*)	GSF	XR-M150
!	O OTHERS		82-ZM1-264-010	0E	LVR,EJECT R	HTSF	XR-M130
!	O OTHERS		82-ZM1-264-010	0E	LVR,EJECT R	GSF	XR-M150
X	OTHERS		82-ZM3-213-010	0E	PLATE,SHLD	HTSF	XR-M130
X	OTHERS		82-ZM3-213-010	0E	PLATE,SHLD	GSF	XR-M150
O	OTHERS		86-NF9-224-010	0E	SPR-C,LOCK	HTSF	XR-M130
O	OTHERS		86-NF9-224-010	0E	SPR-C,LOCK	GSF	XR-M150
!	O OTHERS		87-NF4-217-110	0E	HLDR,LOCK 2	HTSF	XR-M130
!	O OTHERS		87-NF4-217-110	0E	HLDR,LOCK 2	GSF	XR-M150
!	O OTHERS		87-NF8-220-010	0E	DMPR,150	HTSF	XR-M130
!	O OTHERS		87-NF8-220-010	0E	DMPR,150	GSF	XR-M150
O	OTHERS		88-CL4-215-010	0E	CUSH,FOOT FR	HTSF	XR-M130
O	OTHERS		88-CL4-215-010	0E	CUSH,FOOT FR	GSF	XR-M150
O	OTHERS		88-CL4-216-010	0E	CUSH,FOOT REAR	HTSF	XR-M130
O	OTHERS		88-CL4-216-010	0E	CUSH,FOOT REAR	GSF	XR-M150
O	OTHERS		88-CL4-220-010	0E	SPR-T,CASS	HTSF	XR-M130
O	OTHERS		88-CL4-220-010	0E	SPR-T,CASS	GSF	XR-M150
X	OTHERS		8A-CL9-201-010	1C	CHAS,MAIN	HTSF	XR-M130
X	OTHERS		8A-CL9-201-010	1C	CHAS,MAIN	GSF	XR-M150
X	OTHERS		8A-CL9-221-010	0E	CUSH, 15-8-4 W/ADH	HTSF	XR-M130
X	OTHERS		8A-CL9-221-010	0E	CUSH, 15-8-4 W/ADH	GSF	XR-M150
X	OTHERS		8A-CL9-222-110	0E	SH, 8-15-0.5 W/ADH	HTSF	XR-M130
X	OTHERS		8A-CL9-222-110	0E	SH, 8-15-0.5 W/ADH	GSF	XR-M150
X	OTHERS		8A-CL9-225-010	--	CUSH,ASSY	HTSF	XR-M130
X	OTHERS		8A-CL9-225-010	--	CUSH,ASSY	GSF	XR-M150
O	OTHERS	*	8A-CL9-202-010	1C	HLDR,CD	HTSF	XR-M130
O	OTHERS	*	8A-CL9-202-010	1C	HLDR,CD	GSF	XR-M150
O	OTHERS	*	8A-CL9-206-010	0E	GUIDE,LED-FUNC	HTSF	XR-M130
O	OTHERS	*	8A-CL9-206-010	0E	GUIDE,LED-FUNC	GSF	XR-M150
O	OTHERS	*	8A-CL9-211-110	1B	HLDR,TRANS	HTSF	XR-M130
O	OTHERS	*	8A-CL9-211-110	1B	HLDR,TRANS	GSF	XR-M150
X	OTHERS	*	8A-CL9-212-010	1C	HT-SINK,HR	HTSF	XR-M130
X	PACKING DU		83-CT2-854-010	0E	SH,FOAMED MAT	HTSF	XR-M130
X	PACKING DU		83-CT2-854-010	0E	SH,FOAMED MAT	GSF	XR-M150
X	PACKING DU		87-B40-093-010	0E	BAG,PV 0.04-450-650 PL	HTSF	XR-M130
X	PACKING DU		87-B40-093-010	0E	BAG,PV 0.04-450-650 PL	GSF	XR-M150
X	PACKING DU		87-B40-281-010	0E	LBL,BAR-CODE A 35X8	HTSF	XR-M130
X	PACKING DU		87-B40-281-010	0E	LBL,BAR-CODE A 35X8	GSF	XR-M150
X	PACKING DU		87-B40-334-010	0E	BAG,PV 0.03-120-400	GSF	XR-M150
X	PACKING DU		87-B40-408-010	0E	LBL,L HT	HTSF	XR-M130
X	PACKING DU		8A-CL9-864-110	1B	CUSHION,FRONT NF	HTSF	XR-M130
X	PACKING DU		8A-CL9-864-110	1B	CUSHION,FRONT NF	GSF	XR-M150
X	PACKING DU		8A-CL9-865-010	1B	CUSHION,REAR NF	HTSF	XR-M130
X	PACKING DU		8A-CL9-865-010	1B	CUSHION,REAR NF	GSF	XR-M150
X	PACKING DU		8A-CL9-870-010	1E	CTN,PRINTED M130HRSF	HTSF	XR-M130
X	PACKING DU		8A-CL9-875-010	1C	BOX, ACC NF	HTSF	XR-M130
X	PACKING DU		8A-CL9-875-010	1C	BOX, ACC NF	GSF	XR-M150
X	PACKING DU		8A-CL9-877-010	1C	SLEEVE,SET F	HTSF	XR-M130
X	PACKING DU		8A-CL9-877-010	1C	SLEEVE,SET F	GSF	XR-M150
X	PACKING DU		8A-CL9-881-010	1F	CTN,PRINTED GSF	GSF	XR-M150
X	PACKING DU		8A-CL9-972-010	0E	LBL,POP M130H	HTSF	XR-M130
X	PACKING DU		8A-CL9-977-010	0E	LBL,POP M150K	GSF	XR-M150
!	X PLATE		87-057-961-010	0E	LBL,CAUTION TRIANGLE	HTSF	XR-M130
!	X PLATE		87-057-961-010	0E	LBL,CAUTION TRIANGLE	GSF	XR-M150
!	X PLATE		87-057-995-010	0E	LBL,CAUTION EFSD	HTSF	XR-M130
!	X PLATE		87-057-995-010	0E	LBL,CAUTION EFSD	GSF	XR-M150
O	PLATE		8A-CL9-054-010	1A	WINDOW,CASS SG	HTSF	XR-M130
O	PLATE		8A-CL9-054-010	1A	WINDOW,CASS SG	GSF	XR-M150
O	PLATE		8A-CL9-056-010	1A	WINDOW,DISP SG	HTSF	XR-M130
O	PLATE		8A-CL9-056-010	1A	WINDOW,DISP SG	GSF	XR-M150
O	PLATE		8A-CL9-077-010	1A	RING,VOLUME	HTSF	XR-M130
O	PLATE		8A-CL9-077-010	1A	RING,VOLUME	GSF	XR-M150
O	PLATE		8A-CL9-085-010	0E	REFLECTOR,LED-FUNC	HTSF	XR-M130
O	PLATE		8A-CL9-085-010	0E	REFLECTOR,LED-FUNC	GSF	XR-M150
O	PLATE		8A-CL9-088-110	0E	LENS,REMOTE-C	HTSF	XR-M130
O	PLATE		8A-CL9-088-110	0E	LENS,REMOTE-C	GSF	XR-M150
X	PLATE		8A-CL9-091-010	0E	LBL,CAUTION AC CORD	HTSF	XR-M130

PARTS LIST

! = Δ SAFTY PARTS
 C = Components marked

All components used on this model at the production line are shown in this service manual.

However, please note that not all components will be available as spare parts for after-sales service.

Components marked S and O are designated as spare parts for service and will be stocked at the spare parts centers.

Components marked X and R are not designated as spare parts for after sales service, and will not be stocked at the spare parts centers.

K NO. = Only use japanese.

! C	UNIT NAME	REF NO.	PARTS CODE	K NO.	DESCRIPTION	SUFFIX	MODEL NAME
X	PLATE		8A-CL9-091-010	0E	LBL,CAUTION AC CORD	GSF	XR-M150
O	PLATE	*	8A-MA6-203-010	1A	PLATE,FL	HTSF	XR-M130
O	PLATE	*	8A-MA6-203-010	1A	PLATE,FL	GSF	XR-M150
O	POWER AMP		87-067-579-010	0E	BVT2+3-8 W/O SL0T	HTSF	XR-M130
O	POWER AMP		87-067-579-010	0E	BVT2+3-8 W/O SL0T	GSF	XR-M150
X	POWER AMP	*	8Z-CL7-212-010	1A	HT-SINK,SUB	HTSF	XR-M130
X	POWER AMP	*	8Z-CL7-212-010	1A	HT-SINK,SUB	GSF	XR-M150
O	POWER AMP	C 0200	87-010-197-080	0E	C-CAP,S 0.01-25 K B C2012	HTSF	XR-M130
O	POWER AMP	C 0200	87-010-197-080	0E	C-CAP,S 0.01-25 K B C2012	GSF	XR-M150
O	POWER AMP	C 0201	87-010-197-080	0E	C-CAP,S 0.01-25 K B C2012	HTSF	XR-M130
O	POWER AMP	C 0201	87-010-197-080	0E	C-CAP,S 0.01-25 K B C2012	GSF	XR-M150
X	POWER AMP	C 0203	88-266-660-810	0E	CAP,SC 2200P-25 K SR DD400	HTSF	XR-M130
X	POWER AMP	C 0203	88-266-660-810	0E	CAP,SC 2200P-25 K SR DD400	GSF	XR-M150
X	POWER AMP	C 0204	88-266-660-810	0E	CAP,SC 2200P-25 K SR DD400	HTSF	XR-M130
X	POWER AMP	C 0204	88-266-660-810	0E	CAP,SC 2200P-25 K SR DD400	GSF	XR-M150
O	POWER AMP	C 0207	87-010-546-080	0E	CAP,E 0.33-50 M 11L SME	HTSF	XR-M130
O	POWER AMP	C 0207	87-010-546-080	0E	CAP,E 0.33-50 M 11L SME	GSF	XR-M150
O	POWER AMP	C 0208	87-010-546-080	0E	CAP,E 0.33-50 M 11L SME	HTSF	XR-M130
O	POWER AMP	C 0208	87-010-546-080	0E	CAP,E 0.33-50 M 11L SME	GSF	XR-M150
O	POWER AMP	C 0209	87-010-186-080	0E	C-CAP,S 4700P-50 K B C2012	HTSF	XR-M130
O	POWER AMP	C 0209	87-010-186-080	0E	C-CAP,S 4700P-50 K B C2012	GSF	XR-M150
O	POWER AMP	C 0210	87-010-186-080	0E	C-CAP,S 4700P-50 K B C2012	HTSF	XR-M130
O	POWER AMP	C 0210	87-010-186-080	0E	C-CAP,S 4700P-50 K B C2012	GSF	XR-M150
O	POWER AMP	C 0211	87-010-403-080	0E	CAP,E 3.3-50 M 11L SME	HTSF	XR-M130
O	POWER AMP	C 0211	87-010-403-080	0E	CAP,E 3.3-50 M 11L SME	GSF	XR-M150
O	POWER AMP	C 0212	87-010-403-080	0E	CAP,E 3.3-50 M 11L SME	HTSF	XR-M130
O	POWER AMP	C 0212	87-010-403-080	0E	CAP,E 3.3-50 M 11L SME	GSF	XR-M150
O	POWER AMP	C 0213	87-010-260-080	0E	CAP,E 47-25 M 11L SME	HTSF	XR-M130
O	POWER AMP	C 0213	87-010-260-080	0E	CAP,E 47-25 M 11L SME	GSF	XR-M150
O	POWER AMP	C 0214	87-010-260-080	0E	CAP,E 47-25 M 11L SME	HTSF	XR-M130
O	POWER AMP	C 0214	87-010-260-080	0E	CAP,E 47-25 M 11L SME	GSF	XR-M150
O	POWER AMP	C 0217	87-010-993-080	0E	C-CAP,S 0.056-25 K B MK212	HTSF	XR-M130
O	POWER AMP	C 0217	87-010-993-080	0E	C-CAP,S 0.056-25 K B MK212	GSF	XR-M150
O	POWER AMP	C 0218	87-010-993-080	0E	C-CAP,S 0.056-25 K B MK212	HTSF	XR-M130
O	POWER AMP	C 0218	87-010-993-080	0E	C-CAP,S 0.056-25 K B MK212	GSF	XR-M150
O	POWER AMP	C 0219	87-010-196-080	0E	C-CAP,S 0.1-25 Z F C2012	HTSF	XR-M130
O	POWER AMP	C 0219	87-010-196-080	0E	C-CAP,S 0.1-25 Z F C2012	GSF	XR-M150
O	POWER AMP	C 0220	87-010-196-080	0E	C-CAP,S 0.1-25 Z F C2012	HTSF	XR-M130
O	POWER AMP	C 0220	87-010-196-080	0E	C-CAP,S 0.1-25 Z F C2012	GSF	XR-M150
O	POWER AMP	C 0221	87-010-189-080	0E	C-CAP,S 8200P-50 K B	GSF	XR-M150
O	POWER AMP	C 0222	87-010-189-080	0E	C-CAP,S 8200P-50 K B	GSF	XR-M150
O	POWER AMP	C 0227	87-010-260-080	0E	CAP,E 47-25 M 11L SME	HTSF	XR-M130
O	POWER AMP	C 0227	87-010-260-080	0E	CAP,E 47-25 M 11L SME	GSF	XR-M150
O	POWER AMP	C 0229	87-012-156-080	0E	C-CAP,S 220P-50 J CH GRM	HTSF	XR-M130
O	POWER AMP	C 0229	87-012-156-080	0E	C-CAP,S 220P-50 J CH GRM	GSF	XR-M150
O	POWER AMP	C 0230	87-012-156-080	0E	C-CAP,S 220P-50 J CH GRM	HTSF	XR-M130
O	POWER AMP	C 0230	87-012-156-080	0E	C-CAP,S 220P-50 J CH GRM	GSF	XR-M150
O	POWER AMP	C 0261	87-010-197-080	0E	C-CAP,S 0.01-25 K B C2012	HTSF	XR-M130
O	POWER AMP	C 0261	87-010-197-080	0E	C-CAP,S 0.01-25 K B C2012	GSF	XR-M150
O	POWER AMP	C 0273	87-010-196-080	0E	C-CAP,S 0.1-25 Z F C2012	HTSF	XR-M130
O	POWER AMP	C 0273	87-010-196-080	0E	C-CAP,S 0.1-25 Z F C2012	GSF	XR-M150
O	POWER AMP	C 0274	87-012-145-080	0E	C-CAP,S 270P-50 J CH GRM	HTSF	XR-M130
O	POWER AMP	C 0274	87-012-145-080	0E	C-CAP,S 270P-50 J CH GRM	GSF	XR-M150
O	POWER AMP	C 0275	87-012-145-080	0E	C-CAP,S 270P-50 J CH GRM	HTSF	XR-M130
O	POWER AMP	C 0275	87-012-145-080	0E	C-CAP,S 270P-50 J CH GRM	GSF	XR-M150
O	POWER AMP	C 0276	87-010-178-080	0E	C-CAP,S 1000P-50 K B C2012	HTSF	XR-M130
O	POWER AMP	C 0276	87-010-178-080	0E	C-CAP,S 1000P-50 K B C2012	GSF	XR-M150
S	POWER AMP	D 0201	87-020-465-080	0E	DIODE,1SS133	HTSF	XR-M130
S	POWER AMP	D 0201	87-020-465-080	0E	DIODE,1SS133	GSF	XR-M150
S	POWER AMP	D 0202	87-020-465-080	0E	DIODE,1SS133	HTSF	XR-M130
S	POWER AMP	D 0202	87-020-465-080	0E	DIODE,1SS133	GSF	XR-M150
S	POWER AMP	D 0203	87-020-465-080	0E	DIODE,1SS133	HTSF	XR-M130
S	POWER AMP	D 0203	87-020-465-080	0E	DIODE,1SS133	GSF	XR-M150
S	POWER AMP	D 0204	87-020-465-080	0E	DIODE,1SS133	HTSF	XR-M130
S	POWER AMP	D 0204	87-020-465-080	0E	DIODE,1SS133	GSF	XR-M150
S	POWER AMP	D 0205	87-020-465-080	0E	DIODE,1SS133	HTSF	XR-M130
S	POWER AMP	D 0205	87-020-465-080	0E	DIODE,1SS133	GSF	XR-M150
S	POWER AMP	D 0206	87-020-465-080	0E	DIODE,1SS133	HTSF	XR-M130
S	POWER AMP	D 0206	87-020-465-080	0E	DIODE,1SS133	GSF	XR-M150
S	POWER AMP	D 0209	87-020-465-080	0E	DIODE,1SS133	HTSF	XR-M130
S	POWER AMP	D 0209	87-020-465-080	0E	DIODE,1SS133	GSF	XR-M150
S	POWER AMP	D 0210	87-020-465-080	0E	DIODE,1SS133	HTSF	XR-M130
S	POWER AMP	D 0210	87-020-465-080	0E	DIODE,1SS133	GSF	XR-M150

PARTS LIST

! = Δ SAFTY PARTS
 C = Components marked

All components used on this model at the production line are shown in this service manual.

However, please note that not all components will be available as spare parts for after-sales service.

Components marked S and O are designated as spare parts for service and will be stocked at the spare parts centers.

Components marked X and R are not designated as spare parts for after sales service, and will not be stocked at the spare parts centers.

K NO. = Only use japanese.

! C	UNIT NAME	REF NO.	PARTS CODE	K NO.	DESCRIPTION	SUFFIX	MODEL NAME
S	POWER AMP	D	0211	87-020-465-080	0E	DIODE,1SS133	HTSF XR-M130
S	POWER AMP	D	0211	87-020-465-080	0E	DIODE,1SS133	GSF XR-M150
O	POWER AMP	J	0231	87-A60-420-010	1A	JACK,3.5 ST (MSC)	HTSF XR-M130
O	POWER AMP	J	0231	87-A60-420-010	1A	JACK,3.5 ST (MSC)	GSF XR-M150
!	O POWER AMP	J	0241	87-A60-217-010	1A	TERMINAL,SPKR 4P	HTSF XR-M130
!	O POWER AMP	J	0241	87-A60-217-010	1A	TERMINAL,SPKR 4P	GSF XR-M150
!	O POWER AMP	J	0603	87-099-801-010	0E	JACK,PIN 1P BLK W/O SW	HTSF XR-M130
!	O POWER AMP	J	0603	87-099-801-010	0E	JACK,PIN 1P BLK W/O SW	GSF XR-M150
O	POWER AMP	L	0201	87-005-366-010	1A	COIL,1UH K	HTSF XR-M130
O	POWER AMP	L	0201	87-005-366-010	1A	COIL,1UH K	GSF XR-M150
O	POWER AMP	L	0202	87-005-366-010	1A	COIL,1UH K	HTSF XR-M130
O	POWER AMP	L	0202	87-005-366-010	1A	COIL,1UH K	GSF XR-M150
S	POWER AMP	Q	0201	87-A30-197-080	0E	TR,KTA1267GR	HTSF XR-M130
S	POWER AMP	Q	0201	87-A30-197-080	0E	TR,KTA1267GR	GSF XR-M150
S	POWER AMP	Q	0202	87-A30-197-080	0E	TR,KTA1267GR	HTSF XR-M130
S	POWER AMP	Q	0202	87-A30-197-080	0E	TR,KTA1267GR	GSF XR-M150
S	POWER AMP	Q	0203	87-A30-197-080	0E	TR,KTA1267GR	HTSF XR-M130
S	POWER AMP	Q	0203	87-A30-197-080	0E	TR,KTA1267GR	GSF XR-M150
S	POWER AMP	Q	0204	87-A30-197-080	0E	TR,KTA1267GR	HTSF XR-M130
S	POWER AMP	Q	0204	87-A30-197-080	0E	TR,KTA1267GR	GSF XR-M150
S	POWER AMP	Q	0205	87-A30-198-080	0E	TR,KTC3199GR	HTSF XR-M130
S	POWER AMP	Q	0205	87-A30-198-080	0E	TR,KTC3199GR	GSF XR-M150
S	POWER AMP	Q	0206	87-A30-198-080	0E	TR,KTC3199GR	HTSF XR-M130
S	POWER AMP	Q	0206	87-A30-198-080	0E	TR,KTC3199GR	GSF XR-M150
S	POWER AMP	Q	0207	87-A30-198-080	0E	TR,KTC3199GR	HTSF XR-M130
S	POWER AMP	Q	0207	87-A30-198-080	0E	TR,KTC3199GR	GSF XR-M150
S	POWER AMP	Q	0208	87-A30-198-080	0E	TR,KTC3199GR	HTSF XR-M130
S	POWER AMP	Q	0208	87-A30-198-080	0E	TR,KTC3199GR	GSF XR-M150
S	POWER AMP	Q	0209	87-026-610-080	0E	TR,KTC3198GR	HTSF XR-M130
S	POWER AMP	Q	0209	87-026-610-080	0E	TR,KTC3198GR	GSF XR-M150
S	POWER AMP	Q	0210	87-026-610-080	0E	TR,KTC3198GR	HTSF XR-M130
S	POWER AMP	Q	0210	87-026-610-080	0E	TR,KTC3198GR	GSF XR-M150
S	POWER AMP	Q	0211	87-A30-127-010	1A	TR,2SD2478	HTSF XR-M130
S	POWER AMP	Q	0211	87-A30-127-010	1A	TR,2SD2478	GSF XR-M150
S	POWER AMP	Q	0212	87-A30-127-010	1A	TR,2SD2478	HTSF XR-M130
S	POWER AMP	Q	0212	87-A30-127-010	1A	TR,2SD2478	GSF XR-M150
S	POWER AMP	Q	0213	87-A30-126-010	1A	TR,2SB1616	HTSF XR-M130
S	POWER AMP	Q	0213	87-A30-126-010	1A	TR,2SB1616	GSF XR-M150
S	POWER AMP	Q	0214	87-A30-126-010	1A	TR,2SB1616	HTSF XR-M130
S	POWER AMP	Q	0214	87-A30-126-010	1A	TR,2SB1616	GSF XR-M150
S	POWER AMP	Q	0215	87-A30-198-080	0E	TR,KTC3199GR	HTSF XR-M130
S	POWER AMP	Q	0215	87-A30-198-080	0E	TR,KTC3199GR	GSF XR-M150
S	POWER AMP	Q	0216	87-A30-198-080	0E	TR,KTC3199GR	HTSF XR-M130
S	POWER AMP	Q	0216	87-A30-198-080	0E	TR,KTC3199GR	GSF XR-M150
S	POWER AMP	Q	0217	87-026-219-080	0E	TR,DTA144ES	HTSF XR-M130
S	POWER AMP	Q	0217	87-026-219-080	0E	TR,DTA144ES	GSF XR-M150
S	POWER AMP	Q	0261	89-406-555-080	0E	TR,2SD655E	HTSF XR-M130
S	POWER AMP	Q	0261	89-406-555-080	0E	TR,2SD655E	GSF XR-M150
S	POWER AMP	Q	0262	89-406-555-080	0E	TR,2SD655E	HTSF XR-M130
S	POWER AMP	Q	0262	89-406-555-080	0E	TR,2SD655E	GSF XR-M150
S	POWER AMP	Q	0263	87-026-609-080	0E	TR,KTA1266GR	HTSF XR-M130
S	POWER AMP	Q	0263	87-026-609-080	0E	TR,KTA1266GR	GSF XR-M150
X	POWER AMP	R	0203	88-118-473-080	0E	C-RES,S 47K-1/10W J	HTSF XR-M130
X	POWER AMP	R	0203	88-118-473-080	0E	C-RES,S 47K-1/10W J	GSF XR-M150
X	POWER AMP	R	0204	88-118-473-080	0E	C-RES,S 47K-1/10W J	HTSF XR-M130
X	POWER AMP	R	0204	88-118-473-080	0E	C-RES,S 47K-1/10W J	GSF XR-M150
X	POWER AMP	R	0207	88-118-223-080	0E	C-RES,S 22K-1/10W J	HTSF XR-M130
X	POWER AMP	R	0207	88-118-223-080	0E	C-RES,S 22K-1/10W J	GSF XR-M150
X	POWER AMP	R	0208	88-118-223-080	0E	C-RES,S 22K-1/10W J	HTSF XR-M130
X	POWER AMP	R	0208	88-118-223-080	0E	C-RES,S 22K-1/10W J	GSF XR-M150
X	POWER AMP	R	0209	88-118-101-080	0E	C-RES,S 100-1/10W J	HTSF XR-M130
X	POWER AMP	R	0209	88-118-101-080	0E	C-RES,S 100-1/10W J	GSF XR-M150
X	POWER AMP	R	0210	88-118-101-080	0E	C-RES,S 100-1/10W J	HTSF XR-M130
X	POWER AMP	R	0210	88-118-101-080	0E	C-RES,S 100-1/10W J	GSF XR-M150
X	POWER AMP	R	0211	88-118-222-080	0E	C-RES,S 2.2K-1/10W J	HTSF XR-M130
X	POWER AMP	R	0211	88-118-222-080	0E	C-RES,S 2.2K-1/10W J	GSF XR-M150
X	POWER AMP	R	0212	88-118-222-080	0E	C-RES,S 2.2K-1/10W J	HTSF XR-M130
X	POWER AMP	R	0212	88-118-222-080	0E	C-RES,S 2.2K-1/10W J	GSF XR-M150
X	POWER AMP	R	0213	88-118-102-080	0E	C-RES,S 1K-1/10W J	HTSF XR-M130
X	POWER AMP	R	0213	88-118-102-080	0E	C-RES,S 1K-1/10W J	GSF XR-M150

PARTS LIST

! = Δ SAFTY PARTS
 C = Components marked

All components used on this model at the production line are shown in this service manual.

However, please note that not all components will be available as spare parts for after-sales service.

Components marked S and O are designated as spare parts for service and will be stocked at the spare parts centers.

Components marked X and R are not designated as spare parts for after sales service, and will not be stocked at the spare parts centers.

K NO. = Only use japanese.

! C	UNIT NAME	REF NO.	PARTS CODE	K NO.	DESCRIPTION	SUFFIX	MODEL NAME
X	POWER AMP	R 0214	88-118-102-080	0E	C-RES,S 1K-1/10W J	HTSF	XR-M130
X	POWER AMP	R 0214	88-118-102-080	0E	C-RES,S 1K-1/10W J	GSF	XR-M150
X	POWER AMP	R 0215	88-118-103-080	0E	C-RES,S 10K-1/10W J	HTSF	XR-M130
X	POWER AMP	R 0215	88-118-103-080	0E	C-RES,S 10K-1/10W J	GSF	XR-M150
X	POWER AMP	R 0216	88-118-103-080	0E	C-RES,S 10K-1/10W J	HTSF	XR-M130
X	POWER AMP	R 0216	88-118-103-080	0E	C-RES,S 10K-1/10W J	GSF	XR-M150
X	POWER AMP	R 0217	88-118-223-080	0E	C-RES,S 22K-1/10W J	HTSF	XR-M130
X	POWER AMP	R 0217	88-118-223-080	0E	C-RES,S 22K-1/10W J	GSF	XR-M150
X	POWER AMP	R 0218	88-118-223-080	0E	C-RES,S 22K-1/10W J	HTSF	XR-M130
X	POWER AMP	R 0218	88-118-223-080	0E	C-RES,S 22K-1/10W J	GSF	XR-M150
X	POWER AMP	R 0219	88-118-472-080	0E	C-RES,S 4.7K-1/10W J	HTSF	XR-M130
X	POWER AMP	R 0219	88-118-472-080	0E	C-RES,S 4.7K-1/10W J	GSF	XR-M150
X	POWER AMP	R 0220	88-118-472-080	0E	C-RES,S 4.7K-1/10W J	HTSF	XR-M130
X	POWER AMP	R 0220	88-118-472-080	0E	C-RES,S 4.7K-1/10W J	GSF	XR-M150
X	POWER AMP	R 0221	88-118-472-080	0E	C-RES,S 4.7K-1/10W J	HTSF	XR-M130
X	POWER AMP	R 0221	88-118-472-080	0E	C-RES,S 4.7K-1/10W J	GSF	XR-M150
X	POWER AMP	R 0222	88-118-472-080	0E	C-RES,S 4.7K-1/10W J	HTSF	XR-M130
X	POWER AMP	R 0222	88-118-472-080	0E	C-RES,S 4.7K-1/10W J	GSF	XR-M150
O	POWER AMP	R 0223	87-A00-258-080	0E	RES,M/F 0.22-1W J	HTSF	XR-M130
O	POWER AMP	R 0223	87-A00-258-080	0E	RES,M/F 0.22-1W J	GSF	XR-M150
O	POWER AMP	R 0224	87-A00-258-080	0E	RES,M/F 0.22-1W J	HTSF	XR-M130
O	POWER AMP	R 0224	87-A00-258-080	0E	RES,M/F 0.22-1W J	GSF	XR-M150
X	POWER AMP	R 0225	88-118-123-080	0E	C-RES,S 12K-1/10W J	HTSF	XR-M130
X	POWER AMP	R 0225	88-118-123-080	0E	C-RES,S 12K-1/10W J	GSF	XR-M150
X	POWER AMP	R 0226	88-118-123-080	0E	C-RES,S 12K-1/10W J	HTSF	XR-M130
X	POWER AMP	R 0226	88-118-123-080	0E	C-RES,S 12K-1/10W J	GSF	XR-M150
X	POWER AMP	R 0227	88-118-101-080	0E	C-RES,S 100-1/10W J	HTSF	XR-M130
X	POWER AMP	R 0227	88-118-101-080	0E	C-RES,S 100-1/10W J	GSF	XR-M150
X	POWER AMP	R 0228	88-118-101-080	0E	C-RES,S 100-1/10W J	HTSF	XR-M130
X	POWER AMP	R 0228	88-118-101-080	0E	C-RES,S 100-1/10W J	GSF	XR-M150
X	POWER AMP	R 0229	88-118-100-080	0E	C-RES,S 10-1/10W J	HTSF	XR-M130
X	POWER AMP	R 0229	88-118-100-080	0E	C-RES,S 10-1/10W J	GSF	XR-M150
X	POWER AMP	R 0230	88-118-100-080	0E	C-RES,S 10-1/10W J	HTSF	XR-M130
X	POWER AMP	R 0230	88-118-100-080	0E	C-RES,S 10-1/10W J	GSF	XR-M150
X	POWER AMP	R 0231	88-130-221-080	0E	RES,220-1/4W J	HTSF	XR-M130
X	POWER AMP	R 0231	88-130-221-080	0E	RES,220-1/4W J	GSF	XR-M150
X	POWER AMP	R 0232	88-130-221-080	0E	RES,220-1/4W J	HTSF	XR-M130
X	POWER AMP	R 0232	88-130-221-080	0E	RES,220-1/4W J	GSF	XR-M150
X	POWER AMP	R 0233	88-130-221-080	0E	RES,220-1/4W J	HTSF	XR-M130
X	POWER AMP	R 0233	88-130-221-080	0E	RES,220-1/4W J	GSF	XR-M150
X	POWER AMP	R 0234	88-130-221-080	0E	RES,220-1/4W J	HTSF	XR-M130
X	POWER AMP	R 0234	88-130-221-080	0E	RES,220-1/4W J	GSF	XR-M150
X	POWER AMP	R 0235	88-130-100-080	0E	RES,10-1/4W J	HTSF	XR-M130
X	POWER AMP	R 0235	88-130-100-080	0E	RES,10-1/4W J	GSF	XR-M150
X	POWER AMP	R 0236	88-130-100-080	0E	RES,10-1/4W J	HTSF	XR-M130
X	POWER AMP	R 0236	88-130-100-080	0E	RES,10-1/4W J	GSF	XR-M150
X	POWER AMP	R 0237	88-121-104-080	0E	RES,100K-1/8W J	HTSF	XR-M130
X	POWER AMP	R 0237	88-121-104-080	0E	RES,100K-1/8W J	GSF	XR-M150
X	POWER AMP	R 0238	88-121-104-080	0E	RES,100K-1/8W J	HTSF	XR-M130
X	POWER AMP	R 0238	88-121-104-080	0E	RES,100K-1/8W J	GSF	XR-M150
X	POWER AMP	R 0244	88-118-471-080	0E	C-RES,S 470-1/10W J	HTSF	XR-M130
X	POWER AMP	R 0244	88-118-471-080	0E	C-RES,S 470-1/10W J	GSF	XR-M150
X	POWER AMP	R 0247	88-118-103-080	0E	C-RES,S 10K-1/10W J	HTSF	XR-M130
X	POWER AMP	R 0247	88-118-103-080	0E	C-RES,S 10K-1/10W J	GSF	XR-M150
X	POWER AMP	R 0248	88-118-103-080	0E	C-RES,S 10K-1/10W J	HTSF	XR-M130
X	POWER AMP	R 0248	88-118-103-080	0E	C-RES,S 10K-1/10W J	GSF	XR-M150
O	POWER AMP	R 0249	87-A00-258-080	0E	RES,M/F 0.22-1W J	HTSF	XR-M130
O	POWER AMP	R 0249	87-A00-258-080	0E	RES,M/F 0.22-1W J	GSF	XR-M150
O	POWER AMP	R 0250	87-A00-258-080	0E	RES,M/F 0.22-1W J	HTSF	XR-M130
O	POWER AMP	R 0250	87-A00-258-080	0E	RES,M/F 0.22-1W J	GSF	XR-M150
X	POWER AMP	R 0251	88-118-392-080	0E	C-RES,S 3.9K-1/10W J	HTSF	XR-M130
X	POWER AMP	R 0251	88-118-392-080	0E	C-RES,S 3.9K-1/10W J	GSF	XR-M150
X	POWER AMP	R 0252	88-118-392-080	0E	C-RES,S 3.9K-1/10W J	HTSF	XR-M130
X	POWER AMP	R 0252	88-118-392-080	0E	C-RES,S 3.9K-1/10W J	GSF	XR-M150
X	POWER AMP	R 0261	88-118-101-080	0E	C-RES,S 100-1/10W J	HTSF	XR-M130
X	POWER AMP	R 0261	88-118-101-080	0E	C-RES,S 100-1/10W J	GSF	XR-M150
X	POWER AMP	R 0262	88-118-101-080	0E	C-RES,S 100-1/10W J	HTSF	XR-M130
X	POWER AMP	R 0262	88-118-101-080	0E	C-RES,S 100-1/10W J	GSF	XR-M150
X	POWER AMP	R 0263	88-118-473-080	0E	C-RES,S 47K-1/10W J	HTSF	XR-M130
X	POWER AMP	R 0263	88-118-473-080	0E	C-RES,S 47K-1/10W J	GSF	XR-M150

PARTS LIST

! = Δ SAFTY PARTS
 C = Components marked

All components used on this model at the production line are shown in this service manual.

However, please note that not all components will be available as spare parts for after-sales service.

Components marked S and O are designated as spare parts for service and will be stocked at the spare parts centers.

Components marked X and R are not designated as spare parts for after sales service, and will not be stocked at the spare parts centers.

K NO. = Only use japanese.

! C	UNIT NAME	REF NO.	PARTS CODE	K NO.	DESCRIPTION	SUFFIX	MODEL NAME
X	POWER AMP	R 0264	88-118-105-080	0E	C-RES,S 1M-1/10W J	HTSF	XR-M130
X	POWER AMP	R 0264	88-118-105-080	0E	C-RES,S 1M-1/10W J	GSF	XR-M150
X	POWER AMP	R 0265	88-118-103-080	0E	C-RES,S 10K-1/10W J	HTSF	XR-M130
X	POWER AMP	R 0265	88-118-103-080	0E	C-RES,S 10K-1/10W J	GSF	XR-M150
X	POWER AMP	R 0266	88-118-102-080	0E	C-RES,S 1K-1/10W J	HTSF	XR-M130
X	POWER AMP	R 0266	88-118-102-080	0E	C-RES,S 1K-1/10W J	GSF	XR-M150
X	POWER AMP	R 0267	88-118-101-080	0E	C-RES,S 100-1/10W J	HTSF	XR-M130
X	POWER AMP	R 0267	88-118-101-080	0E	C-RES,S 100-1/10W J	GSF	XR-M150
X	POWER AMP	R 0269	88-118-101-080	0E	C-RES,S 100-1/10W J	HTSF	XR-M130
X	POWER AMP	R 0269	88-118-101-080	0E	C-RES,S 100-1/10W J	GSF	XR-M150
X	POWER AMP	R 0270	88-118-101-080	0E	C-RES,S 100-1/10W J	HTSF	XR-M130
X	POWER AMP	R 0270	88-118-101-080	0E	C-RES,S 100-1/10W J	GSF	XR-M150
X	POWER AMP	R 0271	88-118-390-080	0E	C-RES,S 39-1/10W J	HTSF	XR-M130
X	POWER AMP	R 0271	88-118-390-080	0E	C-RES,S 39-1/10W J	GSF	XR-M150
X	POWER AMP	R 0272	88-118-390-080	0E	C-RES,S 39-1/10W J	HTSF	XR-M130
X	POWER AMP	R 0272	88-118-390-080	0E	C-RES,S 39-1/10W J	GSF	XR-M150
X	POWER AMP	R 0273	88-118-332-080	0E	C-RES,S 3.3K-1/10W J	HTSF	XR-M130
X	POWER AMP	R 0273	88-118-332-080	0E	C-RES,S 3.3K-1/10W J	GSF	XR-M150
X	POWER AMP	R 0274	88-121-473-080	0E	RES,47K-1/8W J	HTSF	XR-M130
X	POWER AMP	R 0274	88-121-473-080	0E	RES,47K-1/8W J	GSF	XR-M150
X	POWER AMP	R 0281	88-118-562-080	0E	C-RES,S 5.6K-1/10W J	HTSF	XR-M130
X	POWER AMP	R 0281	88-118-562-080	0E	C-RES,S 5.6K-1/10W J	GSF	XR-M150
X	POWER AMP	R 0282	88-118-562-080	0E	C-RES,S 5.6K-1/10W J	HTSF	XR-M130
X	POWER AMP	R 0282	88-118-562-080	0E	C-RES,S 5.6K-1/10W J	GSF	XR-M150
X	POWER AMP	R 0290	88-128-224-080	0E	C-RES, 220K-1/8W J	HTSF	XR-M130
X	POWER AMP	R 0290	88-128-224-080	0E	C-RES, 220K-1/8W J	GSF	XR-M150
X	POWER AMP	R 0291	88-128-224-080	0E	C-RES, 220K-1/8W J	HTSF	XR-M130
X	POWER AMP	R 0291	88-128-224-080	0E	C-RES, 220K-1/8W J	GSF	XR-M150
X	POWER AMP	R 0292	88-128-123-080	0E	C-RES, 12K-1/8W J	HTSF	XR-M130
X	POWER AMP	R 0292	88-128-123-080	0E	C-RES, 12K-1/8W J	GSF	XR-M150
O	POWER SUPPLY	*	8A-CL9-671-010	1A	F-CABLE,9P 2.5	HTSF	XR-M130
O	POWER SUPPLY	*	8A-CL9-671-010	1A	F-CABLE,9P 2.5	GSF	XR-M150
O	POWER SUPPLY	C 0101	87-016-495-000	1B	CAP,E 3300-25 M SMG	HTSF	XR-M130
O	POWER SUPPLY	C 0101	87-016-495-000	1B	CAP,E 3300-25 M SMG	GSF	XR-M150
O	POWER SUPPLY	C 0102	87-010-197-080	0E	C-CAP,S 0.01-25 K B C2012	HTSF	XR-M130
O	POWER SUPPLY	C 0102	87-010-197-080	0E	C-CAP,S 0.01-25 K B C2012	GSF	XR-M150
O	POWER SUPPLY	C 0104	87-A10-011-090	2A	CAP,E 2200-25 SMG	HTSF	XR-M130
O	POWER SUPPLY	C 0104	87-A10-011-090	2A	CAP,E 2200-25 SMG	GSF	XR-M150
O	POWER SUPPLY	C 0105	87-012-140-080	0E	C-CAP,S 470P-50 J CH	HTSF	XR-M130
O	POWER SUPPLY	C 0105	87-012-140-080	0E	C-CAP,S 470P-50 J CH	GSF	XR-M150
O	POWER SUPPLY	C 0106	87-010-408-080	0E	CAP,E 47-50 M 11L SME	HTSF	XR-M130
O	POWER SUPPLY	C 0106	87-010-408-080	0E	CAP,E 47-50 M 11L SME	GSF	XR-M150
O	POWER SUPPLY	C 0107	87-010-384-080	0E	CAP,E 100-25 M 11L SME	HTSF	XR-M130
O	POWER SUPPLY	C 0107	87-010-384-080	0E	CAP,E 100-25 M 11L SME	GSF	XR-M150
O	POWER SUPPLY	C 0108	87-010-381-080	0E	CAP,E 330-16 M SME	HTSF	XR-M130
O	POWER SUPPLY	C 0108	87-010-381-080	0E	CAP,E 330-16 M SME	GSF	XR-M150
O	POWER SUPPLY	C 0109	87-010-260-080	0E	CAP,E 47-25 M 11L SME	HTSF	XR-M130
O	POWER SUPPLY	C 0109	87-010-260-080	0E	CAP,E 47-25 M 11L SME	GSF	XR-M150
O	POWER SUPPLY	C 0110	87-010-260-080	0E	CAP,E 47-25 M 11L SME	HTSF	XR-M130
O	POWER SUPPLY	C 0110	87-010-260-080	0E	CAP,E 47-25 M 11L SME	GSF	XR-M150
O	POWER SUPPLY	C 0111	87-010-247-080	0E	CAP,E 100-50 M SME	HTSF	XR-M130
O	POWER SUPPLY	C 0111	87-010-247-080	0E	CAP,E 100-50 M SME	GSF	XR-M150
O	POWER SUPPLY	C 0112	87-010-263-080	0E	CAP,E 100-10 M 11L SME	HTSF	XR-M130
O	POWER SUPPLY	C 0112	87-010-263-080	0E	CAP,E 100-10 M 11L SME	GSF	XR-M150
O	POWER SUPPLY	C 0113	87-010-403-080	0E	CAP,E 3.3-50 M 11L SME	HTSF	XR-M130
O	POWER SUPPLY	C 0113	87-010-403-080	0E	CAP,E 3.3-50 M 11L SME	GSF	XR-M150
O	POWER SUPPLY	C 0114	87-010-374-080	0E	CAP,E 47-10 M 11L SME	HTSF	XR-M130
O	POWER SUPPLY	C 0114	87-010-374-080	0E	CAP,E 47-10 M 11L SME	GSF	XR-M150
O	POWER SUPPLY	C 0115	87-A11-007-080	0E	CAP,M 0.047-50 J DE	HTSF	XR-M130
O	POWER SUPPLY	C 0115	87-A11-007-080	0E	CAP,M 0.047-50 J DE	GSF	XR-M150
O	POWER SUPPLY	C 0116	87-A11-007-080	0E	CAP,M 0.047-50 J DE	HTSF	XR-M130
O	POWER SUPPLY	C 0116	87-A11-007-080	0E	CAP,M 0.047-50 J DE	GSF	XR-M150
O	POWER SUPPLY	C 0122	87-010-260-080	0E	CAP,E 47-25 M 11L SME	HTSF	XR-M130
O	POWER SUPPLY	C 0122	87-010-260-080	0E	CAP,E 47-25 M 11L SME	GSF	XR-M150
O	POWER SUPPLY	C 0123	87-010-260-080	0E	CAP,E 47-25 M 11L SME	HTSF	XR-M130
O	POWER SUPPLY	C 0123	87-010-260-080	0E	CAP,E 47-25 M 11L SME	GSF	XR-M150
O	POWER SUPPLY	C 0131	87-012-368-080	0E	C-CAP,S 0.1-50 Z F	HTSF	XR-M130
O	POWER SUPPLY	C 0131	87-012-368-080	0E	C-CAP,S 0.1-50 Z F	GSF	XR-M150
O	POWER SUPPLY	C 0132	87-012-368-080	0E	C-CAP,S 0.1-50 Z F	HTSF	XR-M130
O	POWER SUPPLY	C 0132	87-012-368-080	0E	C-CAP,S 0.1-50 Z F	GSF	XR-M150

PARTS LIST

! = Δ SAFTY PARTS
 C = Components marked

All components used on this model at the production line are shown in this service manual.

However, please note that not all components will be available as spare parts for after-sales service.

Components marked S and O are designated as spare parts for service and will be stocked at the spare parts centers.

Components marked X and R are not designated as spare parts for after sales service, and will not be stocked at the spare parts centers.

K NO. = Only use Japanese.

! C	UNIT NAME	REF NO.	PARTS CODE	K NO.	DESCRIPTION	SUFFIX	MODEL NAME
O	POWER SUPPLY	C 0151	87-010-196-080	0E	C-CAP,S 0.1-25 Z F C2012	HTSF	XR-M130
O	POWER SUPPLY	C 0151	87-010-196-080	0E	C-CAP,S 0.1-25 Z F C2012	GSF	XR-M150
S	POWER SUPPLY	D 0101	87-A40-454-080	0E	DIODE,1N5393 GW	HTSF	XR-M130
S	POWER SUPPLY	D 0101	87-A40-454-080	0E	DIODE,1N5393 GW	GSF	XR-M150
S	POWER SUPPLY	D 0102	87-A40-454-080	0E	DIODE,1N5393 GW	HTSF	XR-M130
S	POWER SUPPLY	D 0102	87-A40-454-080	0E	DIODE,1N5393 GW	GSF	XR-M150
S	POWER SUPPLY	D 0103	87-A40-454-080	0E	DIODE,1N5393 GW	HTSF	XR-M130
S	POWER SUPPLY	D 0103	87-A40-454-080	0E	DIODE,1N5393 GW	GSF	XR-M150
S	POWER SUPPLY	D 0104	87-A40-454-080	0E	DIODE,1N5393 GW	HTSF	XR-M130
S	POWER SUPPLY	D 0104	87-A40-454-080	0E	DIODE,1N5393 GW	GSF	XR-M150
S	POWER SUPPLY	D 0105	87-A40-553-080	0E	DIODE,1N4003 LES	HTSF	XR-M130
S	POWER SUPPLY	D 0105	87-A40-553-080	0E	DIODE,1N4003 LES	GSF	XR-M150
S	POWER SUPPLY	D 0106	87-A40-553-080	0E	DIODE,1N4003 LES	HTSF	XR-M130
S	POWER SUPPLY	D 0106	87-A40-553-080	0E	DIODE,1N4003 LES	GSF	XR-M150
S	POWER SUPPLY	D 0107	87-A40-781-080	0E	ZENER,UZ36BSA	HTSF	XR-M130
S	POWER SUPPLY	D 0107	87-A40-781-080	0E	ZENER,UZ36BSA	GSF	XR-M150
S	POWER SUPPLY	D 0108	87-020-465-080	0E	DIODE,1SS133	HTSF	XR-M130
S	POWER SUPPLY	D 0108	87-020-465-080	0E	DIODE,1SS133	GSF	XR-M150
S	POWER SUPPLY	D 0110	87-A40-764-080	0E	ZENER,UZ10BSC	HTSF	XR-M130
S	POWER SUPPLY	D 0110	87-A40-764-080	0E	ZENER,UZ10BSC	GSF	XR-M150
S	POWER SUPPLY	D 0116	87-A40-553-080	0E	DIODE,1N4003 LES	HTSF	XR-M130
S	POWER SUPPLY	D 0116	87-A40-553-080	0E	DIODE,1N4003 LES	GSF	XR-M150
S	POWER SUPPLY	D 0117	87-A40-553-080	0E	DIODE,1N4003 LES	HTSF	XR-M130
S	POWER SUPPLY	D 0117	87-A40-553-080	0E	DIODE,1N4003 LES	GSF	XR-M150
S	POWER SUPPLY	D 0171	87-020-465-080	0E	DIODE,1SS133	HTSF	XR-M130
S	POWER SUPPLY	D 0171	87-020-465-080	0E	DIODE,1SS133	GSF	XR-M150
!	O POWER SUPPLY	PN 0101	87-A90-510-010	0E	HLD R,WIRE 2.5-9P	HTSF	XR-M130
!	O POWER SUPPLY	PN 0101	87-A90-510-010	0E	HLD R,WIRE 2.5-9P	GSF	XR-M150
S	POWER SUPPLY	PR 0201	87-A90-473-080	0E	PROTECTOR,3.5A 491SERIES 60V	HTSF	XR-M130
S	POWER SUPPLY	PR 0201	87-A90-473-080	0E	PROTECTOR,3.5A 491SERIES 60V	GSF	XR-M150
S	POWER SUPPLY	PR 0202	87-A90-473-080	0E	PROTECTOR,3.5A 491SERIES 60V	HTSF	XR-M130
S	POWER SUPPLY	PR 0202	87-A90-473-080	0E	PROTECTOR,3.5A 491SERIES 60V	GSF	XR-M150
S	POWER SUPPLY	Q 0101	89-213-702-010	1A	TR,2SB1370E	HTSF	XR-M130
S	POWER SUPPLY	Q 0101	89-213-702-010	1A	TR,2SB1370E	GSF	XR-M150
S	POWER SUPPLY	Q 0102	87-026-610-080	0E	TR,KTC3198GR	HTSF	XR-M130
S	POWER SUPPLY	Q 0102	87-026-610-080	0E	TR,KTC3198GR	GSF	XR-M150
S	POWER SUPPLY	Q 0104	87-A30-196-080	0E	TR,2SC4115SRS	HTSF	XR-M130
S	POWER SUPPLY	Q 0104	87-A30-196-080	0E	TR,2SC4115SRS	GSF	XR-M150
S	POWER SUPPLY	Q 0105	89-113-187-880	0E	TR,2SA1318(T/U)	HTSF	XR-M130
S	POWER SUPPLY	Q 0105	89-113-187-880	0E	TR,2SA1318(T/U)	GSF	XR-M150
S	POWER SUPPLY	Q 0106	87-A30-198-080	0E	TR,KTC3199GR	HTSF	XR-M130
S	POWER SUPPLY	Q 0106	87-A30-198-080	0E	TR,KTC3199GR	GSF	XR-M150
S	POWER SUPPLY	Q 0107	87-A30-198-080	0E	TR,KTC3199GR	HTSF	XR-M130
S	POWER SUPPLY	Q 0107	87-A30-198-080	0E	TR,KTC3199GR	GSF	XR-M150
S	POWER SUPPLY	Q 0109	87-A30-198-080	0E	TR,KTC3199GR	HTSF	XR-M130
S	POWER SUPPLY	Q 0109	87-A30-198-080	0E	TR,KTC3199GR	GSF	XR-M150
S	POWER SUPPLY	Q 0110	87-A30-197-080	0E	TR,KTA1267GR	HTSF	XR-M130
S	POWER SUPPLY	Q 0110	87-A30-197-080	0E	TR,KTA1267GR	GSF	XR-M150
S	POWER SUPPLY	Q 0111	89-213-702-010	1A	TR,2SB1370E	HTSF	XR-M130
S	POWER SUPPLY	Q 0111	89-213-702-010	1A	TR,2SB1370E	GSF	XR-M150
S	POWER SUPPLY	Q 0112	87-A30-198-080	0E	TR,KTC3199GR	HTSF	XR-M130
S	POWER SUPPLY	Q 0112	87-A30-198-080	0E	TR,KTC3199GR	GSF	XR-M150
S	POWER SUPPLY	Q 0115	87-026-219-080	0E	TR,DTA144ES	HTSF	XR-M130
S	POWER SUPPLY	Q 0115	87-026-219-080	0E	TR,DTA144ES	GSF	XR-M150
X	POWER SUPPLY	R 0101	88-121-109-080	0E	RES,1-1/8W J	HTSF	XR-M130
X	POWER SUPPLY	R 0101	88-121-109-080	0E	RES,1-1/8W J	GSF	XR-M150
X	POWER SUPPLY	R 0102	88-121-109-080	0E	RES,1-1/8W J	HTSF	XR-M130
X	POWER SUPPLY	R 0102	88-121-109-080	0E	RES,1-1/8W J	GSF	XR-M150
X	POWER SUPPLY	R 0104	88-118-471-080	0E	C-RES,S 470-1/10W J	HTSF	XR-M130
X	POWER SUPPLY	R 0104	88-118-471-080	0E	C-RES,S 470-1/10W J	GSF	XR-M150
X	POWER SUPPLY	R 0105	88-118-823-080	0E	C-RES,S 82K-1/10W J	HTSF	XR-M130
X	POWER SUPPLY	R 0105	88-118-823-080	0E	C-RES,S 82K-1/10W J	GSF	XR-M150
X	POWER SUPPLY	R 0106	88-118-680-080	0E	C-RES,S 68-1/10W J	HTSF	XR-M130
X	POWER SUPPLY	R 0106	88-118-680-080	0E	C-RES,S 68-1/10W J	GSF	XR-M150
X	POWER SUPPLY	R 0108	88-118-472-080	0E	C-RES,S 4.7K-1/10W J	HTSF	XR-M130
X	POWER SUPPLY	R 0108	88-118-472-080	0E	C-RES,S 4.7K-1/10W J	GSF	XR-M150
X	POWER SUPPLY	R 0109	88-118-103-080	0E	C-RES,S 10K-1/10W J	HTSF	XR-M130
X	POWER SUPPLY	R 0109	88-118-103-080	0E	C-RES,S 10K-1/10W J	GSF	XR-M150
X	POWER SUPPLY	R 0110	88-118-471-080	0E	C-RES,S 470-1/10W J	HTSF	XR-M130
X	POWER SUPPLY	R 0110	88-118-471-080	0E	C-RES,S 470-1/10W J	GSF	XR-M150

PARTS LIST

! = Δ SAFTY PARTS
 C = Components marked

All components used on this model at the production line are shown in this service manual.

However, please note that not all components will be available as spare parts for after-sales service.

Components marked S and O are designated as spare parts for service and will be stocked at the spare parts centers.

Components marked X and R are not designated as spare parts for after sales service, and will not be stocked at the spare parts centers.

K NO. = Only use japanese.

! C	UNIT NAME	REF NO.	PARTS CODE	K NO.	DESCRIPTION	SUFFIX	MODEL NAME
X	POWER SUPPLY	R 0111	88-118-221-080	0E	C-RES,S 220-1/10W J	HTSF	XR-M130
X	POWER SUPPLY	R 0111	88-118-221-080	0E	C-RES,S 220-1/10W J	GSF	XR-M150
X	POWER SUPPLY	R 0112	88-118-103-080	0E	C-RES,S 10K-1/10W J	HTSF	XR-M130
X	POWER SUPPLY	R 0112	88-118-103-080	0E	C-RES,S 10K-1/10W J	GSF	XR-M150
X	POWER SUPPLY	R 0113	88-118-331-080	0E	C-RES,S 330-1/10W J	HTSF	XR-M130
X	POWER SUPPLY	R 0113	88-118-331-080	0E	C-RES,S 330-1/10W J	GSF	XR-M150
X	POWER SUPPLY	R 0114	88-118-101-080	0E	C-RES,S 100-1/10W J	HTSF	XR-M130
X	POWER SUPPLY	R 0114	88-118-101-080	0E	C-RES,S 100-1/10W J	GSF	XR-M150
X	POWER SUPPLY	R 0115	88-128-109-080	0E	C-RES, 1-1/8W J	HTSF	XR-M130
X	POWER SUPPLY	R 0115	88-128-109-080	0E	C-RES, 1-1/8W J	GSF	XR-M150
X	POWER SUPPLY	R 0116	88-128-109-080	0E	C-RES, 1-1/8W J	HTSF	XR-M130
X	POWER SUPPLY	R 0116	88-128-109-080	0E	C-RES, 1-1/8W J	GSF	XR-M150
X	POWER SUPPLY	R 0119	88-118-333-080	0E	C-RES,S 33K-1/10W J	HTSF	XR-M130
X	POWER SUPPLY	R 0119	88-118-333-080	0E	C-RES,S 33K-1/10W J	GSF	XR-M150
X	POWER SUPPLY	R 0120	88-118-472-080	0E	C-RES,S 4.7K-1/10W J	HTSF	XR-M130
X	POWER SUPPLY	R 0120	88-118-472-080	0E	C-RES,S 4.7K-1/10W J	GSF	XR-M150
X	POWER SUPPLY	R 0121	88-118-472-080	0E	C-RES,S 4.7K-1/10W J	HTSF	XR-M130
X	POWER SUPPLY	R 0121	88-118-472-080	0E	C-RES,S 4.7K-1/10W J	GSF	XR-M150
X	POWER SUPPLY	R 0122	88-118-100-080	0E	C-RES,S 10-1/10W J	HTSF	XR-M130
X	POWER SUPPLY	R 0122	88-118-100-080	0E	C-RES,S 10-1/10W J	GSF	XR-M150
X	POWER SUPPLY	R 0123	88-118-104-080	0E	C-RES,S 100K-1/10W J	HTSF	XR-M130
X	POWER SUPPLY	R 0123	88-118-104-080	0E	C-RES,S 100K-1/10W J	GSF	XR-M150
X	POWER SUPPLY	R 0130	88-118-471-080	0E	C-RES,S 470-1/10W J	HTSF	XR-M130
X	POWER SUPPLY	R 0130	88-118-471-080	0E	C-RES,S 470-1/10W J	GSF	XR-M150
O	PRE-AMP	C 0303	87-010-177-080	0E	C-CAP,S 820P-50 J SL C2012	HTSF	XR-M130
O	PRE-AMP	C 0303	87-010-177-080	0E	C-CAP,S 820P-50 J SL C2012	GSF	XR-M150
O	PRE-AMP	C 0304	87-010-177-080	0E	C-CAP,S 820P-50 J SL C2012	HTSF	XR-M130
O	PRE-AMP	C 0304	87-010-177-080	0E	C-CAP,S 820P-50 J SL C2012	GSF	XR-M150
O	PRE-AMP	C 0307	87-010-263-080	0E	CAP,E 100-10 M 11L SME	HTSF	XR-M130
O	PRE-AMP	C 0307	87-010-263-080	0E	CAP,E 100-10 M 11L SME	GSF	XR-M150
O	PRE-AMP	C 0308	87-010-263-080	0E	CAP,E 100-10 M 11L SME	HTSF	XR-M130
O	PRE-AMP	C 0308	87-010-263-080	0E	CAP,E 100-10 M 11L SME	GSF	XR-M150
O	PRE-AMP	C 0311	87-010-195-080	0E	C-CAP,S 0.068-25 Z F C2012	HTSF	XR-M130
O	PRE-AMP	C 0311	87-010-195-080	0E	C-CAP,S 0.068-25 Z F C2012	GSF	XR-M150
O	PRE-AMP	C 0312	87-010-195-080	0E	C-CAP,S 0.068-25 Z F C2012	HTSF	XR-M130
O	PRE-AMP	C 0312	87-010-195-080	0E	C-CAP,S 0.068-25 Z F C2012	GSF	XR-M150
O	PRE-AMP	C 0313	87-010-184-080	0E	C-CAP,S 3300P-50 K B C2012	HTSF	XR-M130
O	PRE-AMP	C 0313	87-010-184-080	0E	C-CAP,S 3300P-50 K B C2012	GSF	XR-M150
O	PRE-AMP	C 0314	87-010-184-080	0E	C-CAP,S 3300P-50 K B C2012	HTSF	XR-M130
O	PRE-AMP	C 0314	87-010-184-080	0E	C-CAP,S 3300P-50 K B C2012	GSF	XR-M150
O	PRE-AMP	C 0315	87-010-374-080	0E	CAP,E 47-10 M 11L SME	HTSF	XR-M130
O	PRE-AMP	C 0315	87-010-374-080	0E	CAP,E 47-10 M 11L SME	GSF	XR-M150
O	PRE-AMP	C 0317	87-010-546-080	0E	CAP,E 0.33-50 M 11L SME	HTSF	XR-M130
O	PRE-AMP	C 0317	87-010-546-080	0E	CAP,E 0.33-50 M 11L SME	GSF	XR-M150
O	PRE-AMP	C 0318	87-010-546-080	0E	CAP,E 0.33-50 M 11L SME	HTSF	XR-M130
O	PRE-AMP	C 0318	87-010-546-080	0E	CAP,E 0.33-50 M 11L SME	GSF	XR-M150
O	PRE-AMP	C 0320	87-010-401-080	0E	CAP,E 1-50 M 11L SME	HTSF	XR-M130
O	PRE-AMP	C 0320	87-010-401-080	0E	CAP,E 1-50 M 11L SME	GSF	XR-M150
O	PRE-AMP	C 0321	87-010-405-080	0E	CAP,E 10-50 M 11L SME	HTSF	XR-M130
O	PRE-AMP	C 0321	87-010-405-080	0E	CAP,E 10-50 M 11L SME	GSF	XR-M150
O	PRE-AMP	C 0340	87-012-156-080	0E	C-CAP,S 220P-50 J CH GRM	HTSF	XR-M130
O	PRE-AMP	C 0340	87-012-156-080	0E	C-CAP,S 220P-50 J CH GRM	GSF	XR-M150
O	PRE-AMP	C 0349	87-010-322-080	0E	C-CAP,S 100P-50 J CH GRM	GSF	XR-M150
O	PRE-AMP	C 0350	87-010-322-080	0E	C-CAP,S 100P-50 J CH GRM	GSF	XR-M150
O	PRE-AMP	C 0361	87-010-374-080	0E	CAP,E 47-10 M 11L SME	HTSF	XR-M130
O	PRE-AMP	C 0361	87-010-374-080	0E	CAP,E 47-10 M 11L SME	GSF	XR-M150
O	PRE-AMP	C 0362	87-010-401-080	0E	CAP,E 1-50 M 11L SME	HTSF	XR-M130
O	PRE-AMP	C 0362	87-010-401-080	0E	CAP,E 1-50 M 11L SME	GSF	XR-M150
O	PRE-AMP	C 0386	87-010-197-080	0E	C-CAP,S 0.01-25 K B C2012	GSF	XR-M150
O	PRE-AMP	C 0393	87-010-178-080	0E	C-CAP,S 1000P-50 K B C2012	GSF	XR-M150
O	PRE-AMP	C 0394	87-010-178-080	0E	C-CAP,S 1000P-50 K B C2012	GSF	XR-M150
O	PRE-AMP	C 0401	87-010-401-080	0E	CAP,E 1-50 M 11L SME	HTSF	XR-M130
O	PRE-AMP	C 0401	87-010-401-080	0E	CAP,E 1-50 M 11L SME	GSF	XR-M150
O	PRE-AMP	C 0402	87-010-401-080	0E	CAP,E 1-50 M 11L SME	HTSF	XR-M130
O	PRE-AMP	C 0402	87-010-401-080	0E	CAP,E 1-50 M 11L SME	GSF	XR-M150
O	PRE-AMP	C 0403	87-010-321-080	0E	C-CAP,S 82P-50 J CH	HTSF	XR-M130
O	PRE-AMP	C 0403	87-010-321-080	0E	C-CAP,S 82P-50 J CH	GSF	XR-M150
O	PRE-AMP	C 0404	87-010-321-080	0E	C-CAP,S 82P-50 J CH	HTSF	XR-M130
O	PRE-AMP	C 0404	87-010-321-080	0E	C-CAP,S 82P-50 J CH	GSF	XR-M150
O	PRE-AMP	C 0405	87-010-188-080	0E	C-CAP,S 6800P-50 K B C2012	HTSF	XR-M130

PARTS LIST

! = Δ SAFTY PARTS
 C = Components marked

All components used on this model at the production line are shown in this service manual.

However, please note that not all components will be available as spare parts for after-sales service.

Components marked S and O are designated as spare parts for service and will be stocked at the spare parts centers.

Components marked X and R are not designated as spare parts for after sales service, and will not be stocked at the spare parts centers.

K NO. = Only use japanese.

! C	UNIT NAME	REF NO.	PARTS CODE	K NO.	DESCRIPTION	SUFFIX	MODEL NAME
O	PRE-AMP	C 0405	87-010-188-080	0E	C-CAP,S 6800P-50 K B C2012	GSF	XR-M150
O	PRE-AMP	C 0406	87-010-188-080	0E	C-CAP,S 6800P-50 K B C2012	HTSF	XR-M130
O	PRE-AMP	C 0406	87-010-188-080	0E	C-CAP,S 6800P-50 K B C2012	GSF	XR-M150
O	PRE-AMP	C 0407	87-010-426-080	0E	C-CAP,S 0.012-25 K B	HTSF	XR-M130
O	PRE-AMP	C 0407	87-010-426-080	0E	C-CAP,S 0.012-25 K B	GSF	XR-M150
O	PRE-AMP	C 0408	87-010-426-080	0E	C-CAP,S 0.012-25 K B	HTSF	XR-M130
O	PRE-AMP	C 0408	87-010-426-080	0E	C-CAP,S 0.012-25 K B	GSF	XR-M150
X	PRE-AMP	C 0409	88-266-660-810	0E	CAP,SC 2200P-25 K SR DD400	HTSF	XR-M130
X	PRE-AMP	C 0409	88-266-660-810	0E	CAP,SC 2200P-25 K SR DD400	GSF	XR-M150
X	PRE-AMP	C 0410	88-266-660-810	0E	CAP,SC 2200P-25 K SR DD400	HTSF	XR-M130
X	PRE-AMP	C 0410	88-266-660-810	0E	CAP,SC 2200P-25 K SR DD400	GSF	XR-M150
O	PRE-AMP	C 0451	87-010-198-080	0E	C-CAP,S 0.022-25 K B C2012	HTSF	XR-M130
O	PRE-AMP	C 0451	87-010-198-080	0E	C-CAP,S 0.022-25 K B C2012	GSF	XR-M150
O	PRE-AMP	C 0452	87-010-382-080	0E	CAP,E 22-25 M 11L SME	HTSF	XR-M130
O	PRE-AMP	C 0452	87-010-382-080	0E	CAP,E 22-25 M 11L SME	GSF	XR-M150
O	PRE-AMP	C 0453	87-010-183-080	0E	C-CAP,S 2700P-50 K B GRM	HTSF	XR-M130
O	PRE-AMP	C 0453	87-010-183-080	0E	C-CAP,S 2700P-50 K B GRM	GSF	XR-M150
O	PRE-AMP	C 0454	87-010-183-080	0E	C-CAP,S 2700P-50 K B GRM	HTSF	XR-M130
O	PRE-AMP	C 0454	87-010-183-080	0E	C-CAP,S 2700P-50 K B GRM	GSF	XR-M150
O	PRE-AMP	C 0455	87-010-183-080	0E	C-CAP,S 2700P-50 K B GRM	HTSF	XR-M130
O	PRE-AMP	C 0455	87-010-183-080	0E	C-CAP,S 2700P-50 K B GRM	GSF	XR-M150
O	PRE-AMP	C 0456	87-010-197-080	0E	C-CAP,S 0.01-25 K B C2012	HTSF	XR-M130
O	PRE-AMP	C 0456	87-010-197-080	0E	C-CAP,S 0.01-25 K B C2012	GSF	XR-M150
O	PRE-AMP	C 0457	87-A10-772-080	0E	CAP,M 5600P-50 J	HTSF	XR-M130
O	PRE-AMP	C 0457	87-A10-772-080	0E	CAP,M 5600P-50 J	GSF	XR-M150
O	PRE-AMP	C 0458	87-010-178-080	0E	C-CAP,S 1000P-50 K B C2012	HTSF	XR-M130
O	PRE-AMP	C 0458	87-010-178-080	0E	C-CAP,S 1000P-50 K B C2012	GSF	XR-M150
O	PRE-AMP	C 0459	87-010-175-080	0E	C-CAP,S 560P-50 J SL	HTSF	XR-M130
O	PRE-AMP	C 0459	87-010-175-080	0E	C-CAP,S 560P-50 J SL	GSF	XR-M150
O	PRE-AMP	C 0461	87-012-158-080	0E	C-CAP,S 390P-50 J CH GRM	HTSF	XR-M130
O	PRE-AMP	C 0461	87-012-158-080	0E	C-CAP,S 390P-50 J CH GRM	GSF	XR-M150
O	PRE-AMP	C 0462	87-012-158-080	0E	C-CAP,S 390P-50 J CH GRM	HTSF	XR-M130
O	PRE-AMP	C 0462	87-012-158-080	0E	C-CAP,S 390P-50 J CH GRM	GSF	XR-M150
!	PRE-AMP	CN 0351	87-A60-624-010	0E	CONN,7P V 2MM JMT	HTSF	XR-M130
!	PRE-AMP	CN 0351	87-A60-624-010	0E	CONN,7P V 2MM JMT	GSF	XR-M150
S	PRE-AMP	D 0310	87-020-465-080	0E	DIODE,1SS133	HTSF	XR-M130
S	PRE-AMP	D 0310	87-020-465-080	0E	DIODE,1SS133	GSF	XR-M150
S	PRE-AMP	D 0311	87-020-465-080	0E	DIODE,1SS133	HTSF	XR-M130
S	PRE-AMP	D 0311	87-020-465-080	0E	DIODE,1SS133	GSF	XR-M150
X	PRE-AMP	FB 0401	88-118-000-080	0E	C-JUMPER,S	HTSF	XR-M130
X	PRE-AMP	FB 0401	88-118-000-080	0E	C-JUMPER,S	GSF	XR-M150
X	PRE-AMP	FB 0402	88-118-000-080	0E	C-JUMPER,S	HTSF	XR-M130
X	PRE-AMP	FB 0402	88-118-000-080	0E	C-JUMPER,S	GSF	XR-M150
S	PRE-AMP	IC 0301	87-017-889-010	1A	IC,NJM4558LD	HTSF	XR-M130
S	PRE-AMP	IC 0301	87-017-889-010	1A	IC,NJM4558LD	GSF	XR-M150
S	PRE-AMP	IC 0401	87-017-889-010	1A	IC,NJM4558LD	HTSF	XR-M130
S	PRE-AMP	IC 0401	87-017-889-010	1A	IC,NJM4558LD	GSF	XR-M150
O	PRE-AMP	L 0451	87-007-342-010	0E	COIL,OSC 85KHZ BIAS	HTSF	XR-M130
O	PRE-AMP	L 0451	87-007-342-010	0E	COIL,OSC 85KHZ BIAS	GSF	XR-M150
S	PRE-AMP	Q 0305	87-A30-090-080	0E	FET,2SK2541	HTSF	XR-M130
S	PRE-AMP	Q 0305	87-A30-090-080	0E	FET,2SK2541	GSF	XR-M150
S	PRE-AMP	Q 0306	87-026-219-080	0E	TR,DTA144ES	HTSF	XR-M130
S	PRE-AMP	Q 0306	87-026-219-080	0E	TR,DTA144ES	GSF	XR-M150
S	PRE-AMP	Q 0307	87-A30-090-080	0E	FET,2SK2541	HTSF	XR-M130
S	PRE-AMP	Q 0307	87-A30-090-080	0E	FET,2SK2541	GSF	XR-M150
S	PRE-AMP	Q 0308	87-A30-090-080	0E	FET,2SK2541	HTSF	XR-M130
S	PRE-AMP	Q 0308	87-A30-090-080	0E	FET,2SK2541	GSF	XR-M150
S	PRE-AMP	Q 0309	87-A30-197-080	0E	TR,KTA1267GR	HTSF	XR-M130
S	PRE-AMP	Q 0309	87-A30-197-080	0E	TR,KTA1267GR	GSF	XR-M150
S	PRE-AMP	Q 0310	87-A30-197-080	0E	TR,KTA1267GR	HTSF	XR-M130
S	PRE-AMP	Q 0310	87-A30-197-080	0E	TR,KTA1267GR	GSF	XR-M150
S	PRE-AMP	Q 0315	89-327-125-080	0E	C-TR,2SC2712GR	HTSF	XR-M130
S	PRE-AMP	Q 0315	89-327-125-080	0E	C-TR,2SC2712GR	GSF	XR-M150
S	PRE-AMP	Q 0441	87-A30-197-080	0E	TR,KTA1267GR	HTSF	XR-M130
S	PRE-AMP	Q 0441	87-A30-197-080	0E	TR,KTA1267GR	GSF	XR-M150
S	PRE-AMP	Q 0442	87-A30-197-080	0E	TR,KTA1267GR	HTSF	XR-M130
S	PRE-AMP	Q 0442	87-A30-197-080	0E	TR,KTA1267GR	GSF	XR-M150
S	PRE-AMP	Q 0451	87-026-610-080	0E	TR,KTC3198GR	HTSF	XR-M130
S	PRE-AMP	Q 0451	87-026-610-080	0E	TR,KTC3198GR	GSF	XR-M150
S	PRE-AMP	Q 0452	87-A30-198-080	0E	TR,KTC3199GR	HTSF	XR-M130
S	PRE-AMP	Q 0452	87-A30-198-080	0E	TR,KTC3199GR	GSF	XR-M150

PARTS LIST

! = Δ SAFTY PARTS
 C = Components marked

All components used on this model at the production line are shown in this service manual.

However, please note that not all components will be available as spare parts for after-sales service.

Components marked S and O are designated as spare parts for service and will be stocked at the spare parts centers.

Components marked X and R are not designated as spare parts for after sales service, and will not be stocked at the spare parts centers.

K NO. = Only use japanese.

! C	UNIT NAME	REF NO.	PARTS CODE	K NO.	DESCRIPTION	SUFFIX	MODEL NAME
S	PRE-AMP	Q 0453	87-026-610-080	0E	TR,KTC3198GR	HTSF	XR-M130
S	PRE-AMP	Q 0453	87-026-610-080	0E	TR,KTC3198GR	GSF	XR-M150
S	PRE-AMP	Q 0454	87-026-610-080	0E	TR,KTC3198GR	HTSF	XR-M130
S	PRE-AMP	Q 0454	87-026-610-080	0E	TR,KTC3198GR	GSF	XR-M150
X	PRE-AMP	R 0303	88-118-334-080	0E	C-RES,S 330K-1/10W J	HTSF	XR-M130
X	PRE-AMP	R 0303	88-118-334-080	0E	C-RES,S 330K-1/10W J	GSF	XR-M150
X	PRE-AMP	R 0304	88-118-334-080	0E	C-RES,S 330K-1/10W J	HTSF	XR-M130
X	PRE-AMP	R 0304	88-118-334-080	0E	C-RES,S 330K-1/10W J	GSF	XR-M150
X	PRE-AMP	R 0307	88-118-000-080	0E	C-JUMPER,S	GSF	XR-M150
X	PRE-AMP	R 0307	88-118-471-080	0E	C-RES,S 470-1/10W J	HTSF	XR-M130
X	PRE-AMP	R 0308	88-118-000-080	0E	C-JUMPER,S	GSF	XR-M150
X	PRE-AMP	R 0308	88-118-471-080	0E	C-RES,S 470-1/10W J	HTSF	XR-M130
X	PRE-AMP	R 0309	88-118-680-080	0E	C-RES,S 68-1/10W J	HTSF	XR-M130
X	PRE-AMP	R 0309	88-118-680-080	0E	C-RES,S 68-1/10W J	GSF	XR-M150
X	PRE-AMP	R 0310	88-118-680-080	0E	C-RES,S 68-1/10W J	HTSF	XR-M130
X	PRE-AMP	R 0310	88-118-680-080	0E	C-RES,S 68-1/10W J	GSF	XR-M150
X	PRE-AMP	R 0311	88-118-680-080	0E	C-RES,S 68-1/10W J	HTSF	XR-M130
X	PRE-AMP	R 0311	88-118-680-080	0E	C-RES,S 68-1/10W J	GSF	XR-M150
X	PRE-AMP	R 0312	88-118-680-080	0E	C-RES,S 68-1/10W J	HTSF	XR-M130
X	PRE-AMP	R 0312	88-118-680-080	0E	C-RES,S 68-1/10W J	GSF	XR-M150
X	PRE-AMP	R 0313	88-118-183-080	0E	C-RES,S 18K-1/10W J	HTSF	XR-M130
X	PRE-AMP	R 0313	88-118-183-080	0E	C-RES,S 18K-1/10W J	GSF	XR-M150
X	PRE-AMP	R 0314	88-118-183-080	0E	C-RES,S 18K-1/10W J	HTSF	XR-M130
X	PRE-AMP	R 0314	88-118-183-080	0E	C-RES,S 18K-1/10W J	GSF	XR-M150
X	PRE-AMP	R 0315	88-118-394-080	0E	C-RES,S 390K-1/10W J	HTSF	XR-M130
X	PRE-AMP	R 0315	88-118-394-080	0E	C-RES,S 390K-1/10W J	GSF	XR-M150
X	PRE-AMP	R 0316	88-118-394-080	0E	C-RES,S 390K-1/10W J	HTSF	XR-M130
X	PRE-AMP	R 0316	88-118-394-080	0E	C-RES,S 390K-1/10W J	GSF	XR-M150
X	PRE-AMP	R 0317	88-118-183-080	0E	C-RES,S 18K-1/10W J	HTSF	XR-M130
X	PRE-AMP	R 0317	88-118-183-080	0E	C-RES,S 18K-1/10W J	GSF	XR-M150
X	PRE-AMP	R 0318	88-118-183-080	0E	C-RES,S 18K-1/10W J	HTSF	XR-M130
X	PRE-AMP	R 0318	88-118-183-080	0E	C-RES,S 18K-1/10W J	GSF	XR-M150
X	PRE-AMP	R 0325	88-118-105-080	0E	C-RES,S 1M-1/10W J	HTSF	XR-M130
X	PRE-AMP	R 0325	88-118-105-080	0E	C-RES,S 1M-1/10W J	GSF	XR-M150
X	PRE-AMP	R 0328	88-118-103-080	0E	C-RES,S 10K-1/10W J	HTSF	XR-M130
X	PRE-AMP	R 0328	88-118-103-080	0E	C-RES,S 10K-1/10W J	GSF	XR-M150
X	PRE-AMP	R 0353	88-118-000-080	0E	C-JUMPER,S	HTSF	XR-M130
X	PRE-AMP	R 0353	88-118-000-080	0E	C-JUMPER,S	GSF	XR-M150
X	PRE-AMP	R 0375	88-118-102-080	0E	C-RES,S 1K-1/10W J	HTSF	XR-M130
X	PRE-AMP	R 0375	88-118-102-080	0E	C-RES,S 1K-1/10W J	GSF	XR-M150
X	PRE-AMP	R 0376	88-118-102-080	0E	C-RES,S 1K-1/10W J	HTSF	XR-M130
X	PRE-AMP	R 0376	88-118-102-080	0E	C-RES,S 1K-1/10W J	GSF	XR-M150
X	PRE-AMP	R 0377	88-121-101-080	0E	RES,100-1/8W J	HTSF	XR-M130
X	PRE-AMP	R 0377	88-121-101-080	0E	RES,100-1/8W J	GSF	XR-M150
X	PRE-AMP	R 0401	88-118-183-080	0E	C-RES,S 18K-1/10W J	HTSF	XR-M130
X	PRE-AMP	R 0401	88-118-183-080	0E	C-RES,S 18K-1/10W J	GSF	XR-M150
X	PRE-AMP	R 0402	88-118-183-080	0E	C-RES,S 18K-1/10W J	HTSF	XR-M130
X	PRE-AMP	R 0402	88-118-183-080	0E	C-RES,S 18K-1/10W J	GSF	XR-M150
X	PRE-AMP	R 0403	88-118-123-080	0E	C-RES,S 12K-1/10W J	HTSF	XR-M130
X	PRE-AMP	R 0403	88-118-123-080	0E	C-RES,S 12K-1/10W J	GSF	XR-M150
X	PRE-AMP	R 0404	88-118-123-080	0E	C-RES,S 12K-1/10W J	HTSF	XR-M130
X	PRE-AMP	R 0404	88-118-123-080	0E	C-RES,S 12K-1/10W J	GSF	XR-M150
X	PRE-AMP	R 0405	88-118-104-080	0E	C-RES,S 100K-1/10W J	HTSF	XR-M130
X	PRE-AMP	R 0405	88-118-104-080	0E	C-RES,S 100K-1/10W J	GSF	XR-M150
X	PRE-AMP	R 0406	88-118-104-080	0E	C-RES,S 100K-1/10W J	HTSF	XR-M130
X	PRE-AMP	R 0406	88-118-104-080	0E	C-RES,S 100K-1/10W J	GSF	XR-M150
X	PRE-AMP	R 0407	88-118-102-080	0E	C-RES,S 1K-1/10W J	HTSF	XR-M130
X	PRE-AMP	R 0407	88-118-102-080	0E	C-RES,S 1K-1/10W J	GSF	XR-M150
X	PRE-AMP	R 0408	88-118-102-080	0E	C-RES,S 1K-1/10W J	HTSF	XR-M130
X	PRE-AMP	R 0408	88-118-102-080	0E	C-RES,S 1K-1/10W J	GSF	XR-M150
X	PRE-AMP	R 0409	88-118-821-080	0E	C-RES,S 820-1/10W J	HTSF	XR-M130
X	PRE-AMP	R 0409	88-118-821-080	0E	C-RES,S 820-1/10W J	GSF	XR-M150
X	PRE-AMP	R 0410	88-118-821-080	0E	C-RES,S 820-1/10W J	HTSF	XR-M130
X	PRE-AMP	R 0410	88-118-821-080	0E	C-RES,S 820-1/10W J	GSF	XR-M150
X	PRE-AMP	R 0411	88-118-682-080	0E	C-RES,S 6.8K-1/10W J	HTSF	XR-M130
X	PRE-AMP	R 0411	88-118-682-080	0E	C-RES,S 6.8K-1/10W J	GSF	XR-M150
X	PRE-AMP	R 0412	88-118-682-080	0E	C-RES,S 6.8K-1/10W J	HTSF	XR-M130
X	PRE-AMP	R 0412	88-118-682-080	0E	C-RES,S 6.8K-1/10W J	GSF	XR-M150
X	PRE-AMP	R 0413	88-118-222-080	0E	C-RES,S 2.2K-1/10W J	HTSF	XR-M130
X	PRE-AMP	R 0413	88-118-222-080	0E	C-RES,S 2.2K-1/10W J	GSF	XR-M150

PARTS LIST

! = Δ SAFTY PARTS
 C = Components marked

All components used on this model at the production line are shown in this service manual.

However, please note that not all components will be available as spare parts for after-sales service.

Components marked S and O are designated as spare parts for service and will be stocked at the spare parts centers.

Components marked X and R are not designated as spare parts for after sales service, and will not be stocked at the spare parts centers.

K NO. = Only use japanese.

! C	UNIT NAME	REF NO.	PARTS CODE	K NO.	DESCRIPTION	SUFFIX	MODEL NAME		
X	PRE-AMP	R 0414	88-118-222-080	0E	C-RES,S 2.2K-1/10W J	HTSF	XR-M130		
X	PRE-AMP	R 0414	88-118-222-080	0E	C-RES,S 2.2K-1/10W J	GSF	XR-M150		
X	PRE-AMP	R 0415	88-118-681-080	0E	C-RES,S 680-1/10W J	HTSF	XR-M130		
X	PRE-AMP	R 0415	88-118-681-080	0E	C-RES,S 680-1/10W J	GSF	XR-M150		
X	PRE-AMP	R 0416	88-118-681-080	0E	C-RES,S 680-1/10W J	HTSF	XR-M130		
X	PRE-AMP	R 0416	88-118-681-080	0E	C-RES,S 680-1/10W J	GSF	XR-M150		
X	PRE-AMP	R 0417	88-118-103-080	0E	C-RES,S 10K-1/10W J	HTSF	XR-M130		
X	PRE-AMP	R 0417	88-118-103-080	0E	C-RES,S 10K-1/10W J	GSF	XR-M150		
X	PRE-AMP	R 0418	88-118-103-080	0E	C-RES,S 10K-1/10W J	HTSF	XR-M130		
X	PRE-AMP	R 0418	88-118-103-080	0E	C-RES,S 10K-1/10W J	GSF	XR-M150		
X	PRE-AMP	R 0419	88-118-222-080	0E	C-RES,S 2.2K-1/10W J	HTSF	XR-M130		
X	PRE-AMP	R 0419	88-118-222-080	0E	C-RES,S 2.2K-1/10W J	GSF	XR-M150		
X	PRE-AMP	R 0420	88-118-222-080	0E	C-RES,S 2.2K-1/10W J	HTSF	XR-M130		
X	PRE-AMP	R 0420	88-118-222-080	0E	C-RES,S 2.2K-1/10W J	GSF	XR-M150		
X	PRE-AMP	R 0421	88-118-223-080	0E	C-RES,S 22K-1/10W J	HTSF	XR-M130		
X	PRE-AMP	R 0421	88-118-223-080	0E	C-RES,S 22K-1/10W J	GSF	XR-M150		
X	PRE-AMP	R 0422	88-118-223-080	0E	C-RES,S 22K-1/10W J	HTSF	XR-M130		
X	PRE-AMP	R 0422	88-118-223-080	0E	C-RES,S 22K-1/10W J	GSF	XR-M150		
X	PRE-AMP	R 0423	88-118-183-080	0E	C-RES,S 18K-1/10W J	HTSF	XR-M130		
X	PRE-AMP	R 0423	88-118-183-080	0E	C-RES,S 18K-1/10W J	GSF	XR-M150		
X	PRE-AMP	R 0424	88-118-183-080	0E	C-RES,S 18K-1/10W J	HTSF	XR-M130		
X	PRE-AMP	R 0424	88-118-183-080	0E	C-RES,S 18K-1/10W J	GSF	XR-M150		
X	PRE-AMP	R 0451	88-121-473-080	0E	RES,47K-1/8W J	GSF	XR-M150		
X	PRE-AMP	R 0452	88-121-103-080	0E	RES,10K-1/8W J	GSF	XR-M150		
X	PRE-AMP	R 0453	88-118-101-080	0E	C-RES,S 100-1/10W J	HTSF	XR-M130		
X	PRE-AMP	R 0453	88-118-101-080	0E	C-RES,S 100-1/10W J	GSF	XR-M150		
X	PRE-AMP	R 0454	88-118-829-080	0E	C-RES,S 8.2-1/10W J	HTSF	XR-M130		
X	PRE-AMP	R 0454	88-118-829-080	0E	C-RES,S 8.2-1/10W J	GSF	XR-M150		
X	PRE-AMP	R 0455	88-118-183-080	0E	C-RES,S 18K-1/10W J	HTSF	XR-M130		
X	PRE-AMP	R 0455	88-118-183-080	0E	C-RES,S 18K-1/10W J	GSF	XR-M150		
X	PRE-AMP	R 0456	88-118-183-080	0E	C-RES,S 18K-1/10W J	HTSF	XR-M130		
X	PRE-AMP	R 0456	88-118-183-080	0E	C-RES,S 18K-1/10W J	GSF	XR-M150		
X	PRE-AMP	R 0457	88-118-479-080	0E	C-RES,S 4.7-1/10W J	HTSF	XR-M130		
X	PRE-AMP	R 0457	88-118-479-080	0E	C-RES,S 4.7-1/10W J	GSF	XR-M150		
X	PRE-AMP	R 0458	88-130-100-080	0E	RES,10-1/4W J	HTSF	XR-M130		
X	PRE-AMP	R 0458	88-130-100-080	0E	RES,10-1/4W J	GSF	XR-M150		
X	PRE-AMP	R 0459	88-130-100-080	0E	RES,10-1/4W J	HTSF	XR-M130		
X	PRE-AMP	R 0459	88-130-100-080	0E	RES,10-1/4W J	GSF	XR-M150		
X	PRE-AMP	R 0463	88-118-103-080	0E	C-RES,S 10K-1/10W J	HTSF	XR-M130		
X	PRE-AMP	R 0463	88-118-103-080	0E	C-RES,S 10K-1/10W J	GSF	XR-M150		
X	PRE-AMP	R 0465	88-118-103-080	0E	C-RES,S 10K-1/10W J	HTSF	XR-M130		
X	PRE-AMP	R 0465	88-118-103-080	0E	C-RES,S 10K-1/10W J	GSF	XR-M150		
X	PRE-AMP	R 0466	88-118-103-080	0E	C-RES,S 10K-1/10W J	HTSF	XR-M130		
X	PRE-AMP	R 0466	88-118-103-080	0E	C-RES,S 10K-1/10W J	GSF	XR-M150		
X	PRINTED DU		87-B40-086-010	0E	BAG,PV 0.04-230-400 PL	HTSF	XR-M130		
X	PRINTED DU		87-B40-086-010	0E	BAG,PV 0.04-230-400 PL	GSF	XR-M150		
X	PRINTED DU		87-B50-066-010	0E	LIST,FACILITY(B)-TOKYO	HTSF	XR-M130		
X	PRINTED DU		87-B50-066-010	0E	LIST,FACILITY(B)-TOKYO	GSF	XR-M150		
X	PRINTED DU		87-B50-075-010	0E	WARR-CARD,TAIWAN	HTSF	XR-M130		
O	PRINTED DU		8A-CL9-908-010	1B	IB,H (ECA)-IN	HTSF	XR-M130		
O	PRINTED DU		8A-CL9-913-010	--	IB,G (E)-IN	GSF	XR-M150		
X	PT PWB		8A-CL9-605-110	1C	PWB,PT(U) -4M	GSF	XR-M150		
X	PT PWB	*	8A-CL9-607-010	1C	PWB,PT(HR) -4M	HTSF	XR-M130		
O	PT PWB	C	0101	87-010-387-080	1A	CAP,E 470-25 M SME	HTSF	XR-M130	
O	PT PWB	C	0101	87-010-387-080	1A	CAP,E 470-25 M SME	GSF	XR-M150	
!	O	PT PWB	CN	0101	87-A61-110-010	0E	CONN,9P V TID-A	HTSF	XR-M130
!	O	PT PWB	CN	0101	87-A61-110-010	0E	CONN,9P V TID-A	GSF	XR-M150
S	PT PWB	D	0101	87-020-465-080	0E	DIODE,1SS133	HTSF	XR-M130	
S	PT PWB	D	0101	87-020-465-080	0E	DIODE,1SS133	GSF	XR-M150	
S	PT PWB	D	0102	87-020-465-080	0E	DIODE,1SS133	HTSF	XR-M130	
S	PT PWB	D	0102	87-020-465-080	0E	DIODE,1SS133	GSF	XR-M150	
S	PT PWB	D	0103	87-020-465-080	0E	DIODE,1SS133	HTSF	XR-M130	
S	PT PWB	D	0103	87-020-465-080	0E	DIODE,1SS133	GSF	XR-M150	
S	PT PWB	D	0104	87-020-465-080	0E	DIODE,1SS133	HTSF	XR-M130	
S	PT PWB	D	0104	87-020-465-080	0E	DIODE,1SS133	GSF	XR-M150	
S	PT PWB	D	0105	87-020-465-080	0E	DIODE,1SS133	HTSF	XR-M130	
S	PT PWB	D	0105	87-020-465-080	0E	DIODE,1SS133	GSF	XR-M150	
S	PT PWB	D	0107	87-020-465-080	0E	DIODE,1SS133	HTSF	XR-M130	
S	PT PWB	D	0107	87-020-465-080	0E	DIODE,1SS133	GSF	XR-M150	
S	PT PWB	D	0108	87-020-465-080	0E	DIODE,1SS133	HTSF	XR-M130	

PARTS LIST

! = Δ SAFTY PARTS
 C = Components marked

All components used on this model at the production line are shown in this service manual.

However, please note that not all components will be available as spare parts for after-sales service.

Components marked S and O are designated as spare parts for service and will be stocked at the spare parts centers.

Components marked X and R are not designated as spare parts for after sales service, and will not be stocked at the spare parts centers.

K NO. = Only use japanese.

! C	UNIT NAME	REF NO.	PARTS CODE	K NO.	DESCRIPTION	SUFFIX	MODEL NAME
S	PT PWB	D 0108	87-020-465-080	0E	DIODE,1SS133	GSF	XR-M150
O	PT PWB	FC 0101	87-033-213-080	0E	FUSE CLAMP,PFC5000	HTSF	XR-M130
O	PT PWB	FC 0102	87-033-213-080	0E	FUSE CLAMP,PFC5000	HTSF	XR-M130
S	PT PWB	PR 0101	87-026-681-080	0E	PROTECTOR,5A 491SERIES 60V	HTSF	XR-M130
S	PT PWB	PR 0101	87-026-681-080	0E	PROTECTOR,5A 491SERIES 60V	GSF	XR-M150
S	PT PWB	PR 0102	87-026-681-080	0E	PROTECTOR,5A 491SERIES 60V	HTSF	XR-M130
S	PT PWB	PR 0102	87-026-681-080	0E	PROTECTOR,5A 491SERIES 60V	GSF	XR-M150
!	O PT PWB	PT 0102	8A-NF8-662-010	1C	PT,SUB ANF-8 (E)	GSF	XR-M150
!	O PT PWB	PT 0102	8A-NF8-673-010	1D	PT,SUB ANF-8 (H)KAMI	HTSF	XR-M130
S	PT PWB	Q 0101	87-026-610-080	0E	TR,KTC3198GR	HTSF	XR-M130
S	PT PWB	Q 0101	87-026-610-080	0E	TR,KTC3198GR	GSF	XR-M150
X	PT PWB	R 0101	88-121-103-080	0E	RES,10K-1/8W J	HTSF	XR-M130
X	PT PWB	R 0101	88-121-103-080	0E	RES,10K-1/8W J	GSF	XR-M150
X	PT PWB	R 0102	88-121-180-080	0E	RES,18-1/8W J	HTSF	XR-M130
X	PT PWB	R 0102	88-121-180-080	0E	RES,18-1/8W J	GSF	XR-M150
X	PT PWB	R 0106	88-121-104-080	0E	RES,100K-1/8W J	HTSF	XR-M130
X	PT PWB	R 0106	88-121-104-080	0E	RES,100K-1/8W J	GSF	XR-M150
X	PT PWB	R 0107	88-121-273-080	0E	RES,27K-1/8W J	HTSF	XR-M130
X	PT PWB	R 0107	88-121-273-080	0E	RES,27K-1/8W J	GSF	XR-M150
X	PT PWB	R 0108	88-121-273-080	0E	RES,27K-1/8W J	HTSF	XR-M130
X	PT PWB	R 0108	88-121-273-080	0E	RES,27K-1/8W J	GSF	XR-M150
!	O PT PWB	RY 0102	87-A90-976-010	1B	RELAY,AC12V SDT-S-112LMR	GSF	XR-M150
!	O PT PWB	RY 0102	87-A91-281-010	1B	RELAY,AC DC12V OSA-SS-212DM5	HTSF	XR-M130
!	O PT PWB	SW 0101	87-A90-234-010	1A	SW,SL 1-2-2 SWS2201	HTSF	XR-M130
O	PT PWB	T 0101	87-A60-317-010	0E	TERMINAL, 1P MSC	HTSF	XR-M130
O	PT PWB	T 0101	87-A60-317-010	0E	TERMINAL, 1P MSC	GSF	XR-M150
O	PT PWB	T 0102	87-A60-317-010	0E	TERMINAL, 1P MSC	HTSF	XR-M130
O	PT PWB	T 0102	87-A60-317-010	0E	TERMINAL, 1P MSC	GSF	XR-M150
X	PWB		8A-CL9-601-110	1E	PWB,COMBI MAIN	HTSF	XR-M130
X	PWB		8A-CL9-601-110	1E	PWB,COMBI MAIN	GSF	XR-M150
X	PWB		8A-CL9-602-110	--	PWB,MAIN	HTSF	XR-M130
X	PWB		8A-CL9-602-110	--	PWB,MAIN	GSF	XR-M150
X	PWB		8A-CL9-603-110	--	PWB,BACKBONE	HTSF	XR-M130
X	PWB		8A-CL9-603-110	--	PWB,BACKBONE	GSF	XR-M150
O	PWB	C 0604	87-012-156-080	0E	C-CAP,S 220P-50 J CH GRM	HTSF	XR-M130
O	PWB	C 0604	87-012-156-080	0E	C-CAP,S 220P-50 J CH GRM	GSF	XR-M150
O	PWB	C 0705	87-010-186-080	0E	C-CAP,S 4700P-50 K B C2012	HTSF	XR-M130
O	PWB	C 0705	87-010-186-080	0E	C-CAP,S 4700P-50 K B C2012	GSF	XR-M150
S	PWB	D 0702	87-020-465-080	0E	DIODE,1SS133	HTSF	XR-M130
S	PWB	D 0702	87-020-465-080	0E	DIODE,1SS133	GSF	XR-M150
O	PWB	FB 0101	87-A90-896-080	0E	F-BEAD, 035600STY7	HTSF	XR-M130
O	PWB	FB 0101	87-A90-896-080	0E	F-BEAD, 035600STY7	GSF	XR-M150
O	PWB	FB 0102	87-A90-896-080	0E	F-BEAD, 035600STY7	HTSF	XR-M130
O	PWB	FB 0102	87-A90-896-080	0E	F-BEAD, 035600STY7	GSF	XR-M150
X	PWB	JR 0002	88-129-000-080	0E	C-JUMPER,3216	HTSF	XR-M130
X	PWB	JR 0002	88-129-000-080	0E	C-JUMPER,3216	GSF	XR-M150
X	PWB	JR 0003	88-118-000-080	0E	C-JUMPER,S	HTSF	XR-M130
X	PWB	JR 0003	88-118-000-080	0E	C-JUMPER,S	GSF	XR-M150
X	PWB	JR 0004	88-118-000-080	0E	C-JUMPER,S	HTSF	XR-M130
X	PWB	JR 0004	88-118-000-080	0E	C-JUMPER,S	GSF	XR-M150
X	PWB	JR 0005	88-118-000-080	0E	C-JUMPER,S	HTSF	XR-M130
X	PWB	JR 0005	88-118-000-080	0E	C-JUMPER,S	GSF	XR-M150
X	PWB	JR 0007	88-129-000-080	0E	C-JUMPER,3216	HTSF	XR-M130
X	PWB	JR 0007	88-129-000-080	0E	C-JUMPER,3216	GSF	XR-M150
X	PWB	JR 0008	88-118-000-080	0E	C-JUMPER,S	HTSF	XR-M130
X	PWB	JR 0008	88-118-000-080	0E	C-JUMPER,S	GSF	XR-M150
X	PWB	JR 0010	88-118-000-080	0E	C-JUMPER,S	HTSF	XR-M130
X	PWB	JR 0010	88-118-000-080	0E	C-JUMPER,S	GSF	XR-M150
X	PWB	JR 0011	88-118-000-080	0E	C-JUMPER,S	HTSF	XR-M130
X	PWB	JR 0011	88-118-000-080	0E	C-JUMPER,S	GSF	XR-M150
X	PWB	JR 0012	88-118-000-080	0E	C-JUMPER,S	HTSF	XR-M130
X	PWB	JR 0012	88-118-000-080	0E	C-JUMPER,S	GSF	XR-M150
X	PWB	JR 0013	88-118-000-080	0E	C-JUMPER,S	HTSF	XR-M130
X	PWB	JR 0013	88-118-000-080	0E	C-JUMPER,S	GSF	XR-M150
X	PWB	JR 0014	88-118-000-080	0E	C-JUMPER,S	HTSF	XR-M130
X	PWB	JR 0014	88-118-000-080	0E	C-JUMPER,S	GSF	XR-M150
X	PWB	JR 0017	88-129-000-080	0E	C-JUMPER,3216	HTSF	XR-M130
X	PWB	JR 0017	88-129-000-080	0E	C-JUMPER,3216	GSF	XR-M150
X	PWB	JR 0018	88-118-000-080	0E	C-JUMPER,S	HTSF	XR-M130
X	PWB	JR 0018	88-118-000-080	0E	C-JUMPER,S	GSF	XR-M150

PARTS LIST

! = Δ SAFTY PARTS
 C = Components marked

All components used on this model at the production line are shown in this service manual.

However, please note that not all components will be available as spare parts for after-sales service.

Components marked S and O are designated as spare parts for service and will be stocked at the spare parts centers.

Components marked X and R are not designated as spare parts for after sales service, and will not be stocked at the spare parts centers.

K NO. = Only use japanese.

! C	UNIT NAME	REF NO.	PARTS CODE	K NO.	DESCRIPTION	SUFFIX	MODEL NAME
X	PWB	JR 0019	88-129-000-080	0E	C-JUMPER, 3216	HTSF	XR-M130
X	PWB	JR 0019	88-129-000-080	0E	C-JUMPER, 3216	GSF	XR-M150
X	PWB	JR 0020	88-118-472-080	0E	C-RES, S 4.7K-1/10W J	HTSF	XR-M130
X	PWB	JR 0020	88-118-472-080	0E	C-RES, S 4.7K-1/10W J	GSF	XR-M150
X	PWB	JR 0025	88-118-000-080	0E	C-JUMPER, S	GSF	XR-M150
X	PWB	JR 0026	88-118-000-080	0E	C-JUMPER, S	GSF	XR-M150
X	PWB	JR 0027	88-129-000-080	0E	C-JUMPER, 3216	HTSF	XR-M130
X	PWB	JR 0027	88-129-000-080	0E	C-JUMPER, 3216	GSF	XR-M150
X	PWB	JR 0028	88-118-000-080	0E	C-JUMPER, S	HTSF	XR-M130
X	PWB	JR 0028	88-118-000-080	0E	C-JUMPER, S	GSF	XR-M150
X	PWB	JR 0030	88-118-000-080	0E	C-JUMPER, S	HTSF	XR-M130
X	PWB	JR 0030	88-118-000-080	0E	C-JUMPER, S	GSF	XR-M150
X	PWB	JR 0031	88-129-000-080	0E	C-JUMPER, 3216	HTSF	XR-M130
X	PWB	JR 0031	88-129-000-080	0E	C-JUMPER, 3216	GSF	XR-M150
X	PWB	JR 0032	88-118-000-080	0E	C-JUMPER, S	HTSF	XR-M130
X	PWB	JR 0032	88-118-000-080	0E	C-JUMPER, S	GSF	XR-M150
X	PWB	JR 0033	88-118-000-080	0E	C-JUMPER, S	HTSF	XR-M130
X	PWB	JR 0033	88-118-000-080	0E	C-JUMPER, S	GSF	XR-M150
X	PWB	JR 0037	88-129-000-080	0E	C-JUMPER, 3216	HTSF	XR-M130
X	PWB	JR 0037	88-129-000-080	0E	C-JUMPER, 3216	GSF	XR-M150
X	PWB	JR 0039	88-118-000-080	0E	C-JUMPER, S	HTSF	XR-M130
X	PWB	JR 0039	88-118-000-080	0E	C-JUMPER, S	GSF	XR-M150
X	PWB	JR 0040	88-118-000-080	0E	C-JUMPER, S	HTSF	XR-M130
X	PWB	JR 0040	88-118-000-080	0E	C-JUMPER, S	GSF	XR-M150
X	PWB	JR 0042	88-118-000-080	0E	C-JUMPER, S	HTSF	XR-M130
X	PWB	JR 0042	88-118-000-080	0E	C-JUMPER, S	GSF	XR-M150
X	PWB	JR 0044	88-129-000-080	0E	C-JUMPER, 3216	HTSF	XR-M130
X	PWB	JR 0044	88-129-000-080	0E	C-JUMPER, 3216	GSF	XR-M150
X	PWB	JR 0050	88-129-000-080	0E	C-JUMPER, 3216	HTSF	XR-M130
X	PWB	JR 0050	88-129-000-080	0E	C-JUMPER, 3216	GSF	XR-M150
X	PWB	JR 0051	88-129-000-080	0E	C-JUMPER, 3216	HTSF	XR-M130
X	PWB	JR 0051	88-129-000-080	0E	C-JUMPER, 3216	GSF	XR-M150
X	PWB	JR 0053	88-118-000-080	0E	C-JUMPER, S	HTSF	XR-M130
X	PWB	JR 0053	88-118-000-080	0E	C-JUMPER, S	GSF	XR-M150
X	PWB	JR 0100	88-118-000-080	0E	C-JUMPER, S	HTSF	XR-M130
X	PWB	JR 0100	88-118-000-080	0E	C-JUMPER, S	GSF	XR-M150
X	PWB	JR 0152	88-118-000-080	0E	C-JUMPER, S	HTSF	XR-M130
X	PWB	JR 0152	88-118-000-080	0E	C-JUMPER, S	GSF	XR-M150
X	PWB	JR 0153	88-118-000-080	0E	C-JUMPER, S	HTSF	XR-M130
X	PWB	JR 0153	88-118-000-080	0E	C-JUMPER, S	GSF	XR-M150
X	PWB	JR 0155	88-129-000-080	0E	C-JUMPER, 3216	HTSF	XR-M130
X	PWB	JR 0155	88-129-000-080	0E	C-JUMPER, 3216	GSF	XR-M150
X	PWB	JR 0250	88-118-000-080	0E	C-JUMPER, S	HTSF	XR-M130
X	PWB	JR 0250	88-118-000-080	0E	C-JUMPER, S	GSF	XR-M150
X	PWB	JR 0251	88-129-000-080	0E	C-JUMPER, 3216	HTSF	XR-M130
X	PWB	JR 0251	88-129-000-080	0E	C-JUMPER, 3216	GSF	XR-M150
X	PWB	JR 0335	88-118-000-080	0E	C-JUMPER, S	HTSF	XR-M130
X	PWB	JR 0335	88-118-000-080	0E	C-JUMPER, S	GSF	XR-M150
X	PWB	JR 0560	88-118-000-080	0E	C-JUMPER, S	HTSF	XR-M130
X	PWB	JR 0560	88-118-000-080	0E	C-JUMPER, S	GSF	XR-M150
X	PWB	JR 0561	88-118-000-080	0E	C-JUMPER, S	HTSF	XR-M130
X	PWB	JR 0561	88-118-000-080	0E	C-JUMPER, S	GSF	XR-M150
X	PWB	JR 0562	88-129-000-080	0E	C-JUMPER, 3216	HTSF	XR-M130
X	PWB	JR 0562	88-129-000-080	0E	C-JUMPER, 3216	GSF	XR-M150
X	PWB	JR 0563	88-129-000-080	0E	C-JUMPER, 3216	HTSF	XR-M130
X	PWB	JR 0563	88-129-000-080	0E	C-JUMPER, 3216	GSF	XR-M150
X	PWB	JR 0564	88-118-000-080	0E	C-JUMPER, S	HTSF	XR-M130
X	PWB	JR 0564	88-118-000-080	0E	C-JUMPER, S	GSF	XR-M150
X	PWB	JR 0565	88-118-000-080	0E	C-JUMPER, S	HTSF	XR-M130
X	PWB	JR 0565	88-118-000-080	0E	C-JUMPER, S	GSF	XR-M150
X	PWB	JR 0567	88-118-000-080	0E	C-JUMPER, S	HTSF	XR-M130
X	PWB	JR 0567	88-118-000-080	0E	C-JUMPER, S	GSF	XR-M150
X	PWB	JR 0568	88-129-000-080	0E	C-JUMPER, 3216	HTSF	XR-M130
X	PWB	JR 0568	88-129-000-080	0E	C-JUMPER, 3216	GSF	XR-M150
X	PWB	JR 0570	88-129-000-080	0E	C-JUMPER, 3216	HTSF	XR-M130
X	PWB	JR 0570	88-129-000-080	0E	C-JUMPER, 3216	GSF	XR-M150
X	PWB	JR 0572	88-118-000-080	0E	C-JUMPER, S	HTSF	XR-M130
X	PWB	JR 0572	88-118-000-080	0E	C-JUMPER, S	GSF	XR-M150
X	PWB	JR 0573	88-118-000-080	0E	C-JUMPER, S	HTSF	XR-M130
X	PWB	JR 0573	88-118-000-080	0E	C-JUMPER, S	GSF	XR-M150

PARTS LIST

! = Δ SAFTY PARTS
 C = Components marked

All components used on this model at the production line are shown in this service manual.

However, please note that not all components will be available as spare parts for after-sales service.

Components marked S and O are designated as spare parts for service and will be stocked at the spare parts centers.

Components marked X and R are not designated as spare parts for after sales service, and will not be stocked at the spare parts centers.

K NO. = Only use japanese.

! C	UNIT NAME	REF NO.	PARTS CODE	K NO.	DESCRIPTION	SUFFIX	MODEL NAME
O	SCREW	*	87-B10-231-010	0E	QT1+3-12 SILVER CR	GSF	XR-M150
O	SCREW	*	87-B10-231-010	0E	QT1+3-12 SILVER CR	GSF	XR-M150
O	SCREW	*	87-B10-250-010	0E	BVT2+3-12 W/O SLOT CR SILVER	HTSF	XR-M130
O	SCREW	*	87-B10-250-010	0E	BVT2+3-12 W/O SLOT CR SILVER	HTSF	XR-M130
O	SCREW	*	87-B10-250-010	0E	BVT2+3-12 W/O SLOT CR SILVER	GSF	XR-M150
O	SCREW	*	87-B10-250-010	0E	BVT2+3-12 W/O SLOT CR SILVER	GSF	XR-M150
X	TAPE		M8-2ZM-188-040	--	2ZM-1 R12NF	HTSF	XR-M130
X	TAPE		M8-2ZM-188-040	--	2ZM-1 R12NF	GSF	XR-M150
O	VOL	C 0152	87-010-178-080	0E	C-CAP,S 1000P-50 K B C2012	GSF	XR-M150
O	VOL	C 0601	87-010-180-080	0E	C-CAP,S 1500P-50 K B C2012	HTSF	XR-M130
O	VOL	C 0601	87-010-180-080	0E	C-CAP,S 1500P-50 K B C2012	GSF	XR-M150
O	VOL	C 0602	87-010-180-080	0E	C-CAP,S 1500P-50 K B C2012	HTSF	XR-M130
O	VOL	C 0602	87-010-180-080	0E	C-CAP,S 1500P-50 K B C2012	GSF	XR-M150
O	VOL	C 0603	87-010-322-080	0E	C-CAP,S 100P-50 J CH GRM	HTSF	XR-M130
O	VOL	C 0603	87-010-322-080	0E	C-CAP,S 100P-50 J CH GRM	GSF	XR-M150
O	VOL	C 0609	87-012-287-080	0E	C-CAP,U 0.015-25 Z F	HTSF	XR-M130
O	VOL	C 0609	87-012-287-080	0E	C-CAP,U 0.015-25 Z F	GSF	XR-M150
O	VOL	C 0610	87-010-213-080	0E	C-CAP,S 0.015-25 K B GRM	HTSF	XR-M130
O	VOL	C 0610	87-010-213-080	0E	C-CAP,S 0.015-25 K B GRM	GSF	XR-M150
O	VOL	C 0611	87-010-545-080	0E	CAP,E 0.22-50 M 11L SME	HTSF	XR-M130
O	VOL	C 0611	87-010-545-080	0E	CAP,E 0.22-50 M 11L SME	GSF	XR-M150
O	VOL	C 0612	87-010-545-080	0E	CAP,E 0.22-50 M 11L SME	HTSF	XR-M130
O	VOL	C 0612	87-010-545-080	0E	CAP,E 0.22-50 M 11L SME	GSF	XR-M150
O	VOL	C 0613	87-010-545-080	0E	CAP,E 0.22-50 M 11L SME	HTSF	XR-M130
O	VOL	C 0613	87-010-545-080	0E	CAP,E 0.22-50 M 11L SME	GSF	XR-M150
O	VOL	C 0614	87-010-545-080	0E	CAP,E 0.22-50 M 11L SME	HTSF	XR-M130
O	VOL	C 0614	87-010-545-080	0E	CAP,E 0.22-50 M 11L SME	GSF	XR-M150
O	VOL	C 0615	87-010-154-080	0E	C-CAP,S 10P-50 D CH GRM	HTSF	XR-M130
O	VOL	C 0615	87-010-154-080	0E	C-CAP,S 10P-50 D CH GRM	GSF	XR-M150
O	VOL	C 0616	87-010-408-080	0E	CAP,E 47-50 M 11L SME	HTSF	XR-M130
O	VOL	C 0616	87-010-408-080	0E	CAP,E 47-50 M 11L SME	GSF	XR-M150
O	VOL	C 0617	87-010-408-080	0E	CAP,E 47-50 M 11L SME	HTSF	XR-M130
O	VOL	C 0617	87-010-408-080	0E	CAP,E 47-50 M 11L SME	GSF	XR-M150
O	VOL	C 0619	87-010-401-080	0E	CAP,E 1-50 M 11L SME	HTSF	XR-M130
O	VOL	C 0619	87-010-401-080	0E	CAP,E 1-50 M 11L SME	GSF	XR-M150
O	VOL	C 0620	87-010-401-080	0E	CAP,E 1-50 M 11L SME	HTSF	XR-M130
O	VOL	C 0620	87-010-401-080	0E	CAP,E 1-50 M 11L SME	GSF	XR-M150
O	VOL	C 0627	87-010-197-080	0E	C-CAP,S 0.01-25 K B C2012	HTSF	XR-M130
O	VOL	C 0627	87-010-197-080	0E	C-CAP,S 0.01-25 K B C2012	GSF	XR-M150
O	VOL	C 0628	87-010-197-080	0E	C-CAP,S 0.01-25 K B C2012	HTSF	XR-M130
O	VOL	C 0628	87-010-197-080	0E	C-CAP,S 0.01-25 K B C2012	GSF	XR-M150
O	VOL	C 0631	87-010-197-080	0E	C-CAP,S 0.01-25 K B C2012	HTSF	XR-M130
O	VOL	C 0631	87-010-197-080	0E	C-CAP,S 0.01-25 K B C2012	GSF	XR-M150
O	VOL	C 0635	87-015-785-080	0E	C-CAP, 0.1-25 Z F C3216	HTSF	XR-M130
O	VOL	C 0635	87-015-785-080	0E	C-CAP, 0.1-25 Z F C3216	GSF	XR-M150
O	VOL	C 0661	87-010-178-080	0E	C-CAP,S 1000P-50 K B C2012	GSF	XR-M150
O	VOL	C 0663	87-010-196-080	0E	C-CAP,S 0.1-25 Z F C2012	GSF	XR-M150
O	VOL	C 0670	87-010-196-080	0E	C-CAP,S 0.1-25 Z F C2012	HTSF	XR-M130
O	VOL	C 0670	87-010-196-080	0E	C-CAP,S 0.1-25 Z F C2012	GSF	XR-M150
O	VOL	C 0697	87-010-197-080	0E	C-CAP,S 0.01-25 K B C2012	HTSF	XR-M130
O	VOL	C 0697	87-010-197-080	0E	C-CAP,S 0.01-25 K B C2012	GSF	XR-M150
O	VOL	C 0698	87-010-197-080	0E	C-CAP,S 0.01-25 K B C2012	HTSF	XR-M130
O	VOL	C 0698	87-010-197-080	0E	C-CAP,S 0.01-25 K B C2012	GSF	XR-M150
O	VOL	C 0703	87-010-971-080	0E	C-CAP,S 4700P-50 J B	GSF	XR-M150
O	VOL	C 0704	87-010-971-080	0E	C-CAP,S 4700P-50 J B	GSF	XR-M150
!	O VOL	CN 0202	87-099-719-010	1B	CONN,30P H BLK TYK-B(X)	HTSF	XR-M130
!	O VOL	CN 0202	87-099-719-010	1B	CONN,30P H BLK TYK-B(X)	GSF	XR-M150
!	O VOL	CN 0702	87-099-570-010	1A	CONN,13P V TUC-P13P-B1	HTSF	XR-M130
!	O VOL	CN 0702	87-099-570-010	1A	CONN,13P V TUC-P13P-B1	GSF	XR-M150
S	VOL	D 0601	87-A40-739-080	0E	ZENER,UZ2.7BSA	HTSF	XR-M130
S	VOL	D 0601	87-A40-739-080	0E	ZENER,UZ2.7BSA	GSF	XR-M150
S	VOL	D 0602	87-A40-739-080	0E	ZENER,UZ2.7BSA	HTSF	XR-M130
S	VOL	D 0602	87-A40-739-080	0E	ZENER,UZ2.7BSA	GSF	XR-M150
S	VOL	IC 0601	87-A21-520-040	1E	C-IC,M61509FP	HTSF	XR-M130
S	VOL	IC 0601	87-A21-520-040	1E	C-IC,M61509FP	GSF	XR-M150
O	VOL	J 0601	87-A60-881-010	0E	JACK,PIN 2P MSP 242V05 PBSN	HTSF	XR-M130
O	VOL	J 0601	87-A60-881-010	0E	JACK,PIN 2P MSP 242V05 PBSN	GSF	XR-M150
X	VOL	JR 0200	88-118-000-080	0E	C-JUMPER,S	HTSF	XR-M130
X	VOL	JR 0200	88-118-000-080	0E	C-JUMPER,S	GSF	XR-M150
X	VOL	JR 0201	88-129-000-080	0E	C-JUMPER,3216	HTSF	XR-M130

PARTS LIST

! = Δ SAFTY PARTS
 C = Components marked

All components used on this model at the production line are shown in this service manual.

However, please note that not all components will be available as spare parts for after-sales service.

Components marked S and O are designated as spare parts for service and will be stocked at the spare parts centers.

Components marked X and R are not designated as spare parts for after sales service, and will not be stocked at the spare parts centers.

K NO. = Only use japanese.

! C	UNIT NAME	REF NO.	PARTS CODE	K NO.	DESCRIPTION	SUFFIX	MODEL NAME
X VOL		JR 0201	88-129-000-080	0E	C-JUMPER, 3216	GSF	XR-M150
X VOL		JR 0203	88-118-000-080	0E	C-JUMPER, S	HTSF	XR-M130
X VOL		JR 0203	88-118-000-080	0E	C-JUMPER, S	GSF	XR-M150
X VOL		JR 0205	88-118-000-080	0E	C-JUMPER, S	HTSF	XR-M130
X VOL		JR 0205	88-118-000-080	0E	C-JUMPER, S	GSF	XR-M150
X VOL		JR 0206	88-118-000-080	0E	C-JUMPER, S	HTSF	XR-M130
X VOL		JR 0206	88-118-000-080	0E	C-JUMPER, S	GSF	XR-M150
S VOL		Q 0601	87-026-502-080	0E	TR, DTC144TS	HTSF	XR-M130
S VOL		Q 0601	87-026-502-080	0E	TR, DTC144TS	GSF	XR-M150
S VOL		Q 0602	87-A30-436-040	--	C-TR, DTC144TKA	HTSF	XR-M130
S VOL		Q 0602	87-A30-436-040	--	C-TR, DTC144TKA	GSF	XR-M150
S VOL		Q 0603	87-A30-436-040	--	C-TR, DTC144TKA	HTSF	XR-M130
S VOL		Q 0603	87-A30-436-040	--	C-TR, DTC144TKA	GSF	XR-M150
X VOL		R 0601	88-118-123-080	0E	C-RES, S 12K-1/10W J	HTSF	XR-M130
X VOL		R 0601	88-118-123-080	0E	C-RES, S 12K-1/10W J	GSF	XR-M150
X VOL		R 0602	88-118-123-080	0E	C-RES, S 12K-1/10W J	HTSF	XR-M130
X VOL		R 0602	88-118-123-080	0E	C-RES, S 12K-1/10W J	GSF	XR-M150
X VOL		R 0603	88-118-103-080	0E	C-RES, S 10K-1/10W J	HTSF	XR-M130
X VOL		R 0603	88-118-103-080	0E	C-RES, S 10K-1/10W J	GSF	XR-M150
X VOL		R 0604	88-118-103-080	0E	C-RES, S 10K-1/10W J	HTSF	XR-M130
X VOL		R 0604	88-118-103-080	0E	C-RES, S 10K-1/10W J	GSF	XR-M150
X VOL		R 0605	88-118-000-080	0E	C-JUMPER, S	HTSF	XR-M130
X VOL		R 0605	88-118-000-080	0E	C-JUMPER, S	GSF	XR-M150
X VOL		R 0606	88-100-000-010	0E	PLATING-JW, 0.58 SN95	HTSF	XR-M130
X VOL		R 0606	88-100-000-010	0E	PLATING-JW, 0.58 SN95	GSF	XR-M150
X VOL		R 0609	88-118-272-080	0E	C-RES, S 2.7K-1/10W J	HTSF	XR-M130
X VOL		R 0609	88-118-272-080	0E	C-RES, S 2.7K-1/10W J	GSF	XR-M150
X VOL		R 0610	88-118-272-080	0E	C-RES, S 2.7K-1/10W J	HTSF	XR-M130
X VOL		R 0610	88-118-272-080	0E	C-RES, S 2.7K-1/10W J	GSF	XR-M150
X VOL		R 0613	88-118-123-080	0E	C-RES, S 12K-1/10W J	HTSF	XR-M130
X VOL		R 0613	88-118-123-080	0E	C-RES, S 12K-1/10W J	GSF	XR-M150
X VOL		R 0614	88-118-103-080	0E	C-RES, S 10K-1/10W J	HTSF	XR-M130
X VOL		R 0614	88-118-103-080	0E	C-RES, S 10K-1/10W J	GSF	XR-M150
X VOL		R 0615	88-118-472-080	0E	C-RES, S 4.7K-1/10W J	HTSF	XR-M130
X VOL		R 0615	88-118-472-080	0E	C-RES, S 4.7K-1/10W J	GSF	XR-M150
X VOL		R 0616	88-128-680-080	0E	C-RES, 68-1/8W J	HTSF	XR-M130
X VOL		R 0616	88-128-680-080	0E	C-RES, 68-1/8W J	GSF	XR-M150
X VOL		R 0617	88-128-680-080	0E	C-RES, 68-1/8W J	HTSF	XR-M130
X VOL		R 0617	88-128-680-080	0E	C-RES, 68-1/8W J	GSF	XR-M150
X VOL		R 0621	88-128-680-080	0E	C-RES, 68-1/8W J	HTSF	XR-M130
X VOL		R 0621	88-128-680-080	0E	C-RES, 68-1/8W J	GSF	XR-M150
X VOL		R 0622	88-130-820-080	0E	RES, 82-1/4W J	HTSF	XR-M130
X VOL		R 0622	88-130-820-080	0E	RES, 82-1/4W J	GSF	XR-M150
X VOL		R 0623	88-130-820-080	0E	RES, 82-1/4W J	HTSF	XR-M130
X VOL		R 0623	88-130-820-080	0E	RES, 82-1/4W J	GSF	XR-M150
X VOL		R 0624	88-130-820-080	0E	RES, 82-1/4W J	HTSF	XR-M130
X VOL		R 0624	88-130-820-080	0E	RES, 82-1/4W J	GSF	XR-M150
X VOL		R 0625	88-118-103-080	0E	C-RES, S 10K-1/10W J	HTSF	XR-M130
X VOL		R 0625	88-118-103-080	0E	C-RES, S 10K-1/10W J	GSF	XR-M150
X VOL		R 0626	88-118-103-080	0E	C-RES, S 10K-1/10W J	HTSF	XR-M130
X VOL		R 0626	88-118-103-080	0E	C-RES, S 10K-1/10W J	GSF	XR-M150
X VOL		R 0627	88-121-103-080	0E	RES, 10K-1/8W J	HTSF	XR-M130
X VOL		R 0627	88-121-103-080	0E	RES, 10K-1/8W J	GSF	XR-M150
X VOL		R 0628	88-118-392-080	0E	C-RES, S 3.9K-1/10W J	HTSF	XR-M130
X VOL		R 0628	88-118-392-080	0E	C-RES, S 3.9K-1/10W J	GSF	XR-M150
X VOL		R 0629	88-121-562-080	0E	RES, 5.6K-1/8W J	HTSF	XR-M130
X VOL		R 0629	88-121-562-080	0E	RES, 5.6K-1/8W J	GSF	XR-M150
X VOL		R 0630	88-121-103-080	0E	RES, 10K-1/8W J	HTSF	XR-M130
X VOL		R 0630	88-121-103-080	0E	RES, 10K-1/8W J	GSF	XR-M150
X VOL		R 0631	88-128-123-080	0E	C-RES, 12K-1/8W J	HTSF	XR-M130
X VOL		R 0631	88-128-123-080	0E	C-RES, 12K-1/8W J	GSF	XR-M150
X VOL		R 0632	88-118-123-080	0E	C-RES, S 12K-1/10W J	HTSF	XR-M130
X VOL		R 0632	88-118-123-080	0E	C-RES, S 12K-1/10W J	GSF	XR-M150
X VOL		R 0633	88-118-682-080	0E	C-RES, S 6.8K-1/10W J	HTSF	XR-M130
X VOL		R 0633	88-118-682-080	0E	C-RES, S 6.8K-1/10W J	GSF	XR-M150
X VOL		R 0634	88-118-682-080	0E	C-RES, S 6.8K-1/10W J	HTSF	XR-M130
X VOL		R 0634	88-118-682-080	0E	C-RES, S 6.8K-1/10W J	GSF	XR-M150
X VOL		R 0641	88-121-103-080	0E	RES, 10K-1/8W J	HTSF	XR-M130
X VOL		R 0641	88-121-103-080	0E	RES, 10K-1/8W J	GSF	XR-M150
X VOL		R 0642	88-121-103-080	0E	RES, 10K-1/8W J	HTSF	XR-M130
X VOL		R 0642	88-121-103-080	0E	RES, 10K-1/8W J	GSF	XR-M150

PARTS LIST

- ! = Δ SAFTY PARTS
 C = Components marked

All components used on this model at the production line are shown in this service manual.

However, please note that not all components will be available as spare parts for after-sales service.

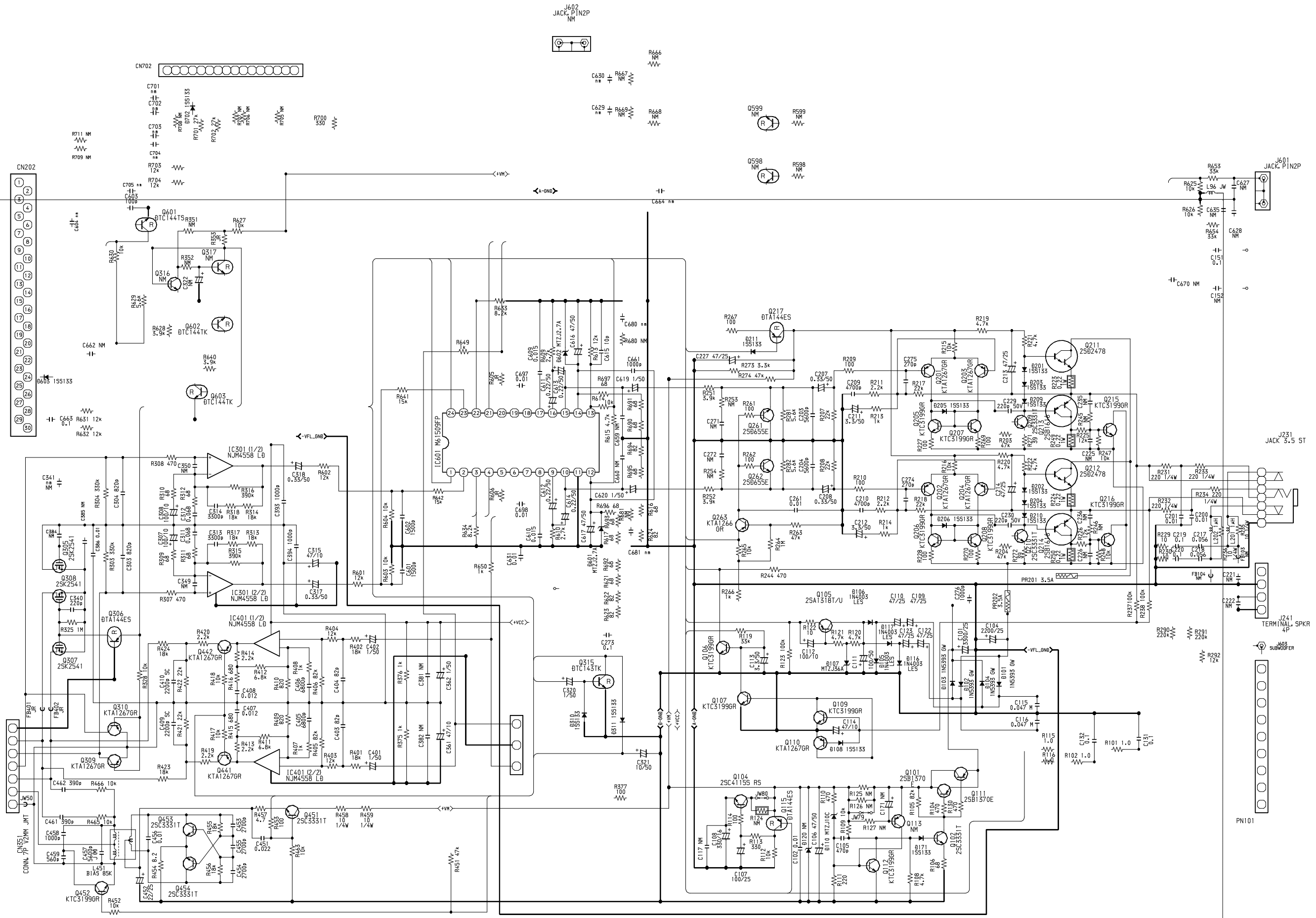
Components marked S and O are designated as spare parts for service and will be stocked at the spare parts centers.

Components marked X and R are not designated as spare parts for after sales service, and will not be stocked at the spare parts centers.

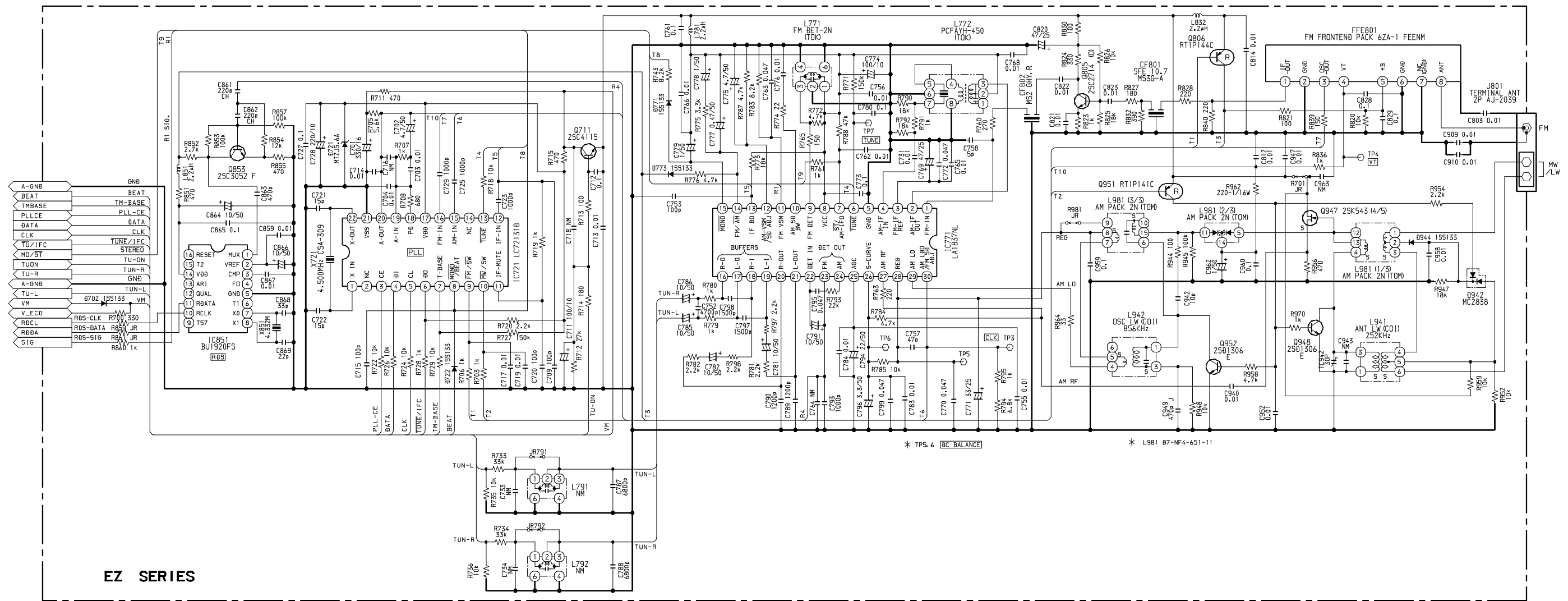
K NO. = Only use japanese.

! C	UNIT NAME	REF NO.	PARTS CODE	K NO.	DESCRIPTION	SUFFIX	MODEL NAME
X	VOL	R 0642	88-121-103-080	0E	RES,10K-1/8W J	GSF	XR-M150
X	VOL	R 0649	88-118-102-080	0E	C-RES,S 1K-1/10W J	HTSF	XR-M130
X	VOL	R 0649	88-118-102-080	0E	C-RES,S 1K-1/10W J	GSF	XR-M150
X	VOL	R 0650	88-118-102-080	0E	C-RES,S 1K-1/10W J	HTSF	XR-M130
X	VOL	R 0650	88-118-102-080	0E	C-RES,S 1K-1/10W J	GSF	XR-M150
X	VOL	R 0653	88-121-333-080	0E	RES,33K-1/8W J	HTSF	XR-M130
X	VOL	R 0653	88-121-333-080	0E	RES,33K-1/8W J	GSF	XR-M150
X	VOL	R 0654	88-121-333-080	0E	RES,33K-1/8W J	HTSF	XR-M130
X	VOL	R 0654	88-121-333-080	0E	RES,33K-1/8W J	GSF	XR-M150
X	VOL	R 0690	88-128-680-080	0E	C-RES, 68-1/8W J	HTSF	XR-M130
X	VOL	R 0690	88-128-680-080	0E	C-RES, 68-1/8W J	GSF	XR-M150
X	VOL	R 0691	88-128-680-080	0E	C-RES, 68-1/8W J	HTSF	XR-M130
X	VOL	R 0691	88-128-680-080	0E	C-RES, 68-1/8W J	GSF	XR-M150
X	VOL	R 0692	88-128-680-080	0E	C-RES, 68-1/8W J	HTSF	XR-M130
X	VOL	R 0692	88-128-680-080	0E	C-RES, 68-1/8W J	GSF	XR-M150
X	VOL	R 0693	88-128-680-080	0E	C-RES, 68-1/8W J	HTSF	XR-M130
X	VOL	R 0693	88-128-680-080	0E	C-RES, 68-1/8W J	GSF	XR-M150
X	VOL	R 0694	88-130-820-080	0E	RES,82-1/4W J	HTSF	XR-M130
X	VOL	R 0694	88-130-820-080	0E	RES,82-1/4W J	GSF	XR-M150
X	VOL	R 0695	88-128-680-080	0E	C-RES, 68-1/8W J	HTSF	XR-M130
X	VOL	R 0695	88-128-680-080	0E	C-RES, 68-1/8W J	GSF	XR-M150
X	VOL	R 0696	88-128-680-080	0E	C-RES, 68-1/8W J	HTSF	XR-M130
X	VOL	R 0696	88-128-680-080	0E	C-RES, 68-1/8W J	GSF	XR-M150
X	VOL	R 0697	88-128-680-080	0E	C-RES, 68-1/8W J	HTSF	XR-M130
X	VOL	R 0697	88-128-680-080	0E	C-RES, 68-1/8W J	GSF	XR-M150

SCHEMATIC DIAGRAM - 1 (MAIN)

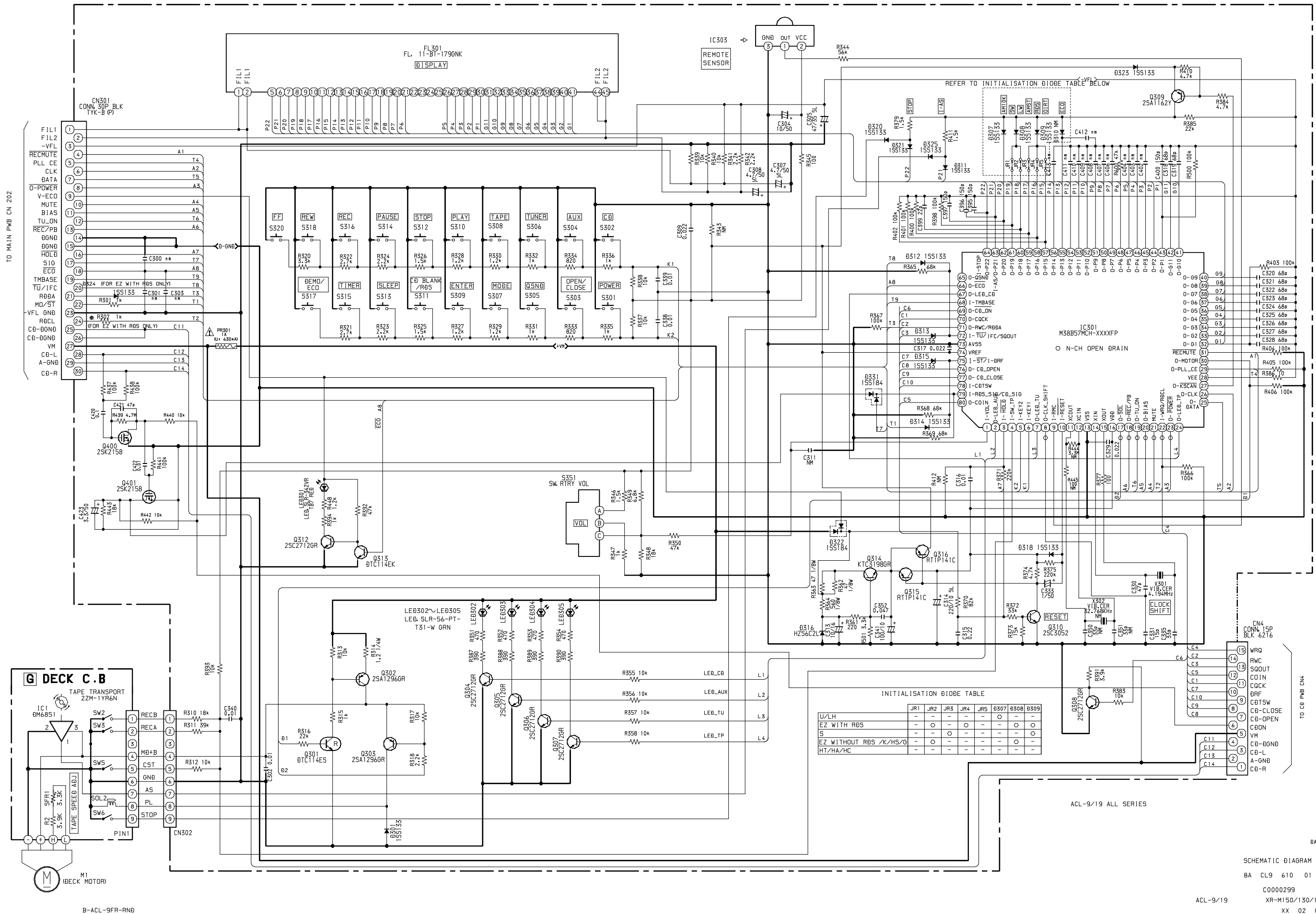


SCHEMATIC DIAGRAM – 2 (TUNER)



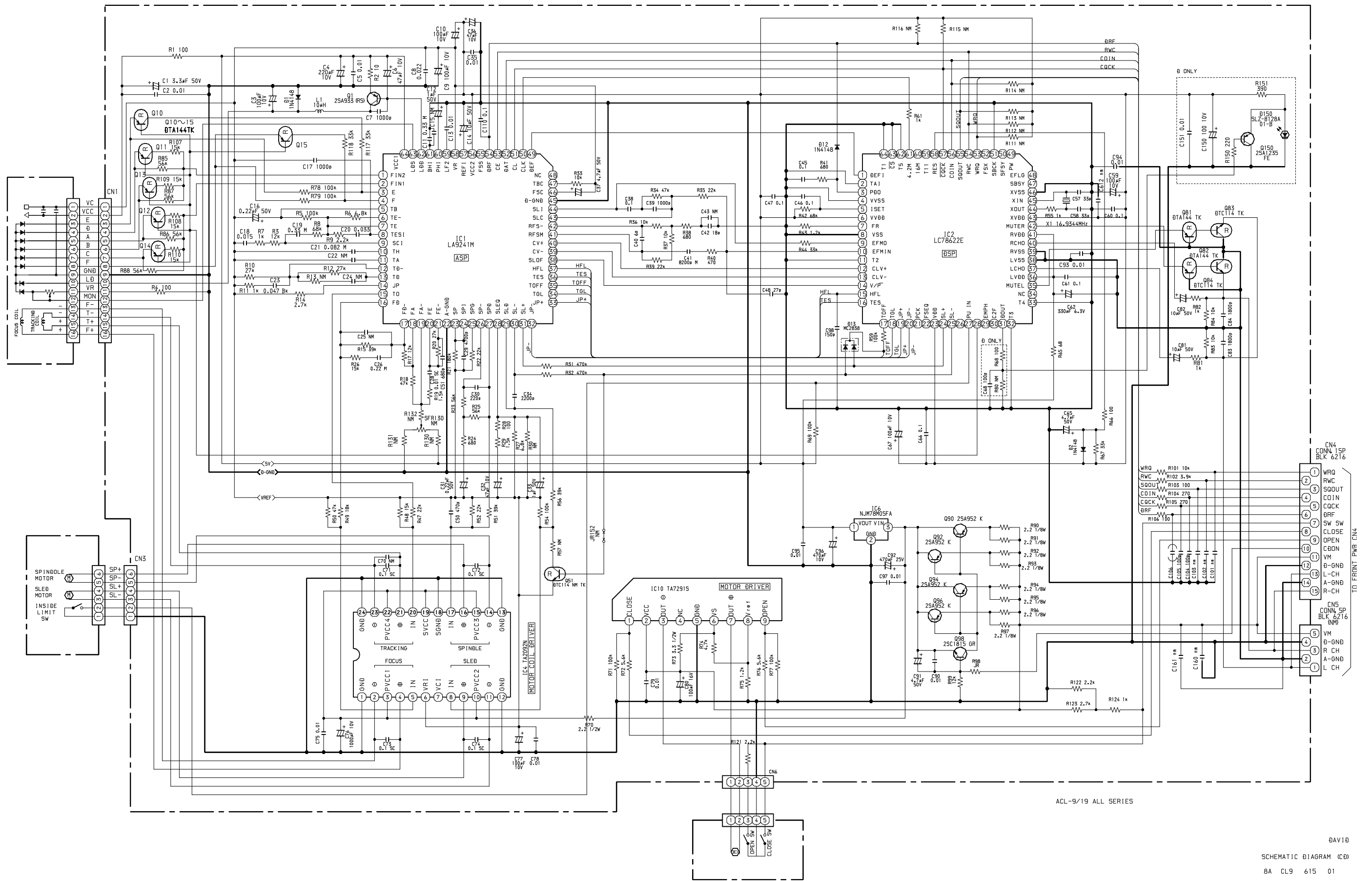
EZ SERIES

SCHEMATIC DIAGRAM - 3 (FRONT)



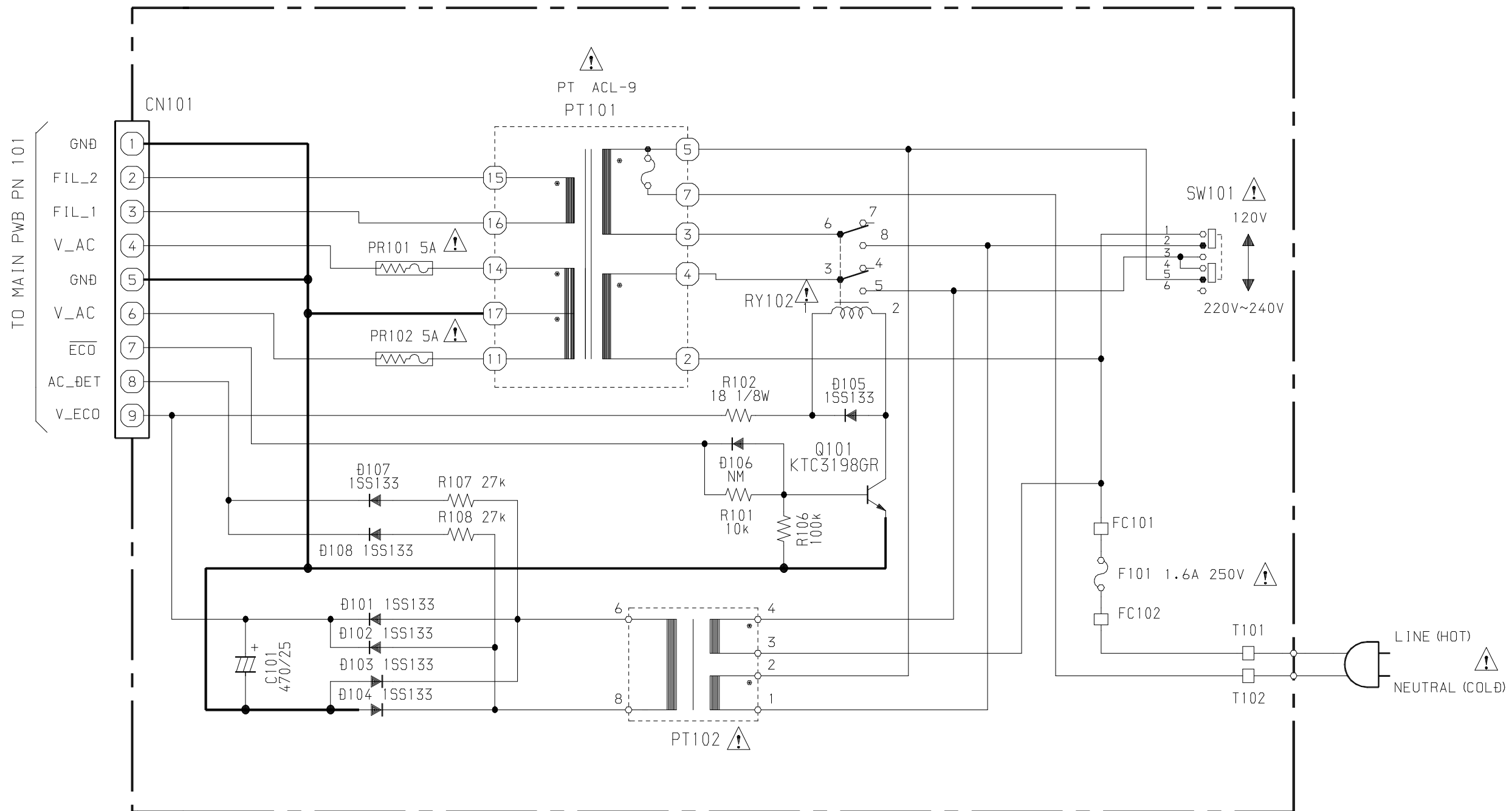
DAV10
 SCHEMATIC DIAGRAM (FR)
 8A CL9 610 01
 C0000299
 XR-M150/130/120
 ACL-9/19
 XX 02 00

SCHEMATIC DIAGRAM - 4 (CD)



DAVID
 SCHEMATIC DIAGRAM (CD)
 8A CL9 615 01
 C0000301
 XR-M150/130/120
 XX 02 00

SCHEMATIC DIAGRAM - 5 (PT: LH)



ACL-9/19 LH, HE, HC, HT & HR SERIES

DAVID

SCHEMATIC DIAG (PT)

8A CL9 607 01

C0000296

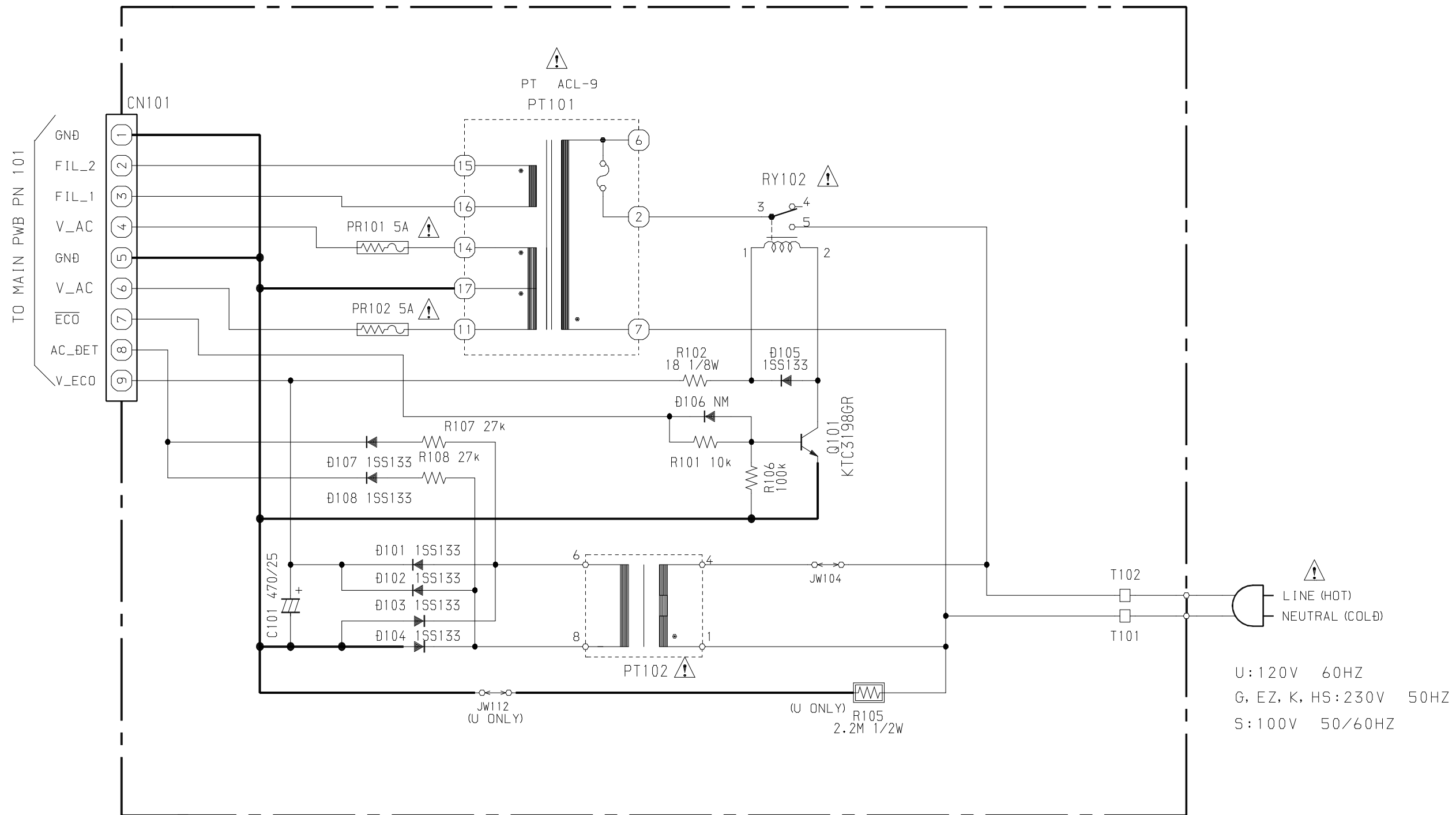
ACL-9/19

XR-M130/120

B-ACL-9PT-RNB.PT

XX 02 00

SCHEMATIC DIAGRAM - 6 (PT: U)



ACL-9/19 U, EZ, K, HS & S SERIES

DAVID

SCHEMATIC DIAG (PT)

8A CL9 605 01

C0000297

ACL-9/19

XR-M150/130/120

B-ACL-9PT-U-RND.PT

XX 02 00

アイワ株式会社 〒110-8710 東京都台東区池之端1-2-11 ☎03(3827)3111 (代表)
AIWA CO.,LTD. 2-11, IKENOHATA 1-CHOME, TAITO-KU, TOKYO 110, JAPAN TEL:03 (3827) 3111