



XR-M120

HC

SERVICE MANUAL

COMPACT DISC
STEREO SYSTEM

BASIC CD MECHANISM: 3ZG-3 E2NF
BASIC TAPE MECHANISM: 2ZM-1 R8NF

- Replace this Service manual with "Revision Publishing" when it is issued.

aiwa

S/M Code No. 09-008-432-5T3

SIMPLE

DATA

ELECTRICAL MAIN PARTS LIST - 1/7

NOTE: The characters in the suffix column indicate the part usage.

| HC | REF.NO | PARTS NO. | XX KANRI NO. | DESCRIPTION | A SUFFIX |
|----|--------|-----------|--------------------|-------------------------|-------------|
| | C | 301 | 87-010-197-080 | CAP, CHIP 0.01 DM | . |
| | C | 302 | 87-010-197-080 | CAP, CHIP 0.01 DM | A |
| | C | 304 | 87-010-405-040 | CAP, E 10-50 | A |
| | C | 308 | 87-010-421-040 | CAP, E 4.7-50 5L | A |
| | C | 307 | 87-010-421-040 | CAP, E 4.7-50 5L | A |
| | C | 309 | 87-010-787-080 | CAP, U 0.022-25 | A |
| | C | 301 | 87-012-145-080 | CAP, CHIP S 270P CH | A |
| | C | 300 | 87-012-153-080 | C-CAP, S 120P-50 CH | A |
| | C | 305 | 87-A10-797-040 | CAP, E 47-35 M 5L SRM | A |
| | C | 313 | 87-010-112-040 | CAP, E 100-16 | A |
| | C | 315 | 87-010-198-080 | CAP, CHIP 0.022 | A |
| | C | 319 | 87-010-320-080 | CHIP CAP 68P | A |
| | C | 318 | 87-010-320-080 | CHIP CAP 68P | A |
| | C | 317 | 87-010-787-080 | CAP, U 0.022-25 | A |
| | C | 316 | 87-012-286-080 | CAP, U 0.01-25 | A |
| | C | 314 | 87-A10-189-040 | CAP, E 220-10 | A |
| | C | 329 | 87-010-198-080 | CAP, CHIP 0.022 | A |
| | C | 322 | 87-010-320-080 | CHIP CAP 68P | A |
| | C | 327 | 87-010-320-080 | CHIP CAP 68P | A |
| | C | 328 | 87-010-320-080 | CHIP CAP 68P | A |
| | C | 323 | 87-010-320-080 | CHIP CAP 68P | A |
| | C | 321 | 87-010-320-080 | CHIP CAP 68P | A |
| | C | 325 | 87-010-320-080 | CHIP CAP 68P | A |
| | C | 320 | 87-010-320-080 | CHIP CAP 68P | A |
| | C | 324 | 87-010-320-080 | CHIP CAP 68P | A |
| | C | 326 | 87-010-320-080 | CHIP CAP 68P | A |
| | C | 338 | 87-010-197-080 | CAP, CHIP 0.01 DM | A |
| | C | 339 | 87-010-197-080 | CAP, CHIP 0.01 DM | A |
| | C | 331 | 87-010-312-080 | C-CAP, S 15P-50 CH | A |
| | C | 335 | 87-010-316-080 | C-CAP, S 33P-50 CH | A |
| | C | 330 | 87-010-318-080 | C-CAP, S 47P-50 CH | A |
| | C | 333 | 87-015-695-040 | E/CAP, 1UF 50V TAPG | A |
| | C | 340 | 87-010-197-080 | CAP, CHIP 0.01 DM | A |
| | C | 341 | 87-010-263-040 | CAP, E 100-10 | A |
| | C | 352 | 87-010-194-080 | CAP, CHIP 0.047 | A |
| | C | 399 | 87-010-314-080 | C-CAP, S 22P-50V | A |
| | C | 395 | 87-012-154-080 | C-CAP, S 150P-50 CH | A |
| | C | 397 | 87-012-154-080 | C-CAP, S 150P-50 CH | A |
| | C | 400 | 87-012-154-080 | C-CAP, S 150P-50 CH | A |
| | C | 420 | 87-010-196-080 | CHIP CAPACITOR, 0.1-25 | A |
| | C | 422 | 87-010-197-080 | CAP, CHIP 0.01 DM | A |
| | C | 421 | 87-010-318-080 | C-CAP, S 47P-50 CH | A |
| | C | 423 | 87-010-403-040 | CAP, E 3.3-50 SME | A |
| | CN | 4 | 87-099-032-010 | CONN, 15P 6216 H | A |
| | CN | 301 | 87-099-720-010 | CONN, 30P TYK-B(P) | A |
| | CN | 302 | 87-CL4-704-010 | CONN ASSY 9P DECK | A |
| | D | 308 | 87-020-465-080 | DIODE, 1SS133 (110MA) | . |
| | D | 309 | 87-020-465-080 | DIODE, 1SS133 (110MA) | . |
| | D | 301 | 87-020-465-080 | DIODE, 1SS133 (110MA) | A |
| | D | 307 | 87-020-465-080 | DIODE, 1SS133 (110MA) | . |
| | D | 316 | 87-001-731-080 | ZENER, HZS6C2L | A |
| | D | 315 | 87-020-465-080 | DIODE, 1SS133 (110MA) | A |
| | D | 311 | 87-020-465-080 | DIODE, 1SS133 (110MA) | A |
| | D | 318 | 87-020-465-080 | DIODE, 1SS133 (110MA) | A |
| | D | 314 | 87-020-465-080 | DIODE, 1SS133 (110MA) | A |
| | D | 313 | 87-020-465-080 | DIODE, 1SS133 (110MA) | A |
| | D | 312 | 87-020-465-080 | DIODE, 1SS133 (110MA) | A |
| | D | 322 | 87-020-027-080 | CHIP-DIODE 1SS184 | A |
| | D | 325 | 87-020-465-080 | DIODE, 1SS133 (110MA) | A |
| | D | 320 | 87-020-465-080 | DIODE, 1SS133 (110MA) | A |
| | D | 323 | 87-020-465-080 | DIODE, 1SS133 (110MA) | A |
| | D | 324 | 87-020-465-080 | DIODE, 1SS133 (110MA) | . |
| | D | 321 | 87-020-465-080 | DIODE, 1SS133 (110MA) | A |
| | D | 331 | 87-020-027-080 | CHIP-DIODE 1SS184 | A |
| | FL | 301 | 8A-CL9-682-010 | FL, ACL-9 | A |
| | GFL | 1 | 82-NF7-210-110 | GUIDE, FL (*) | A |
| | IC | 303 | 87-A20-914-010 | IC, SPS-442-1-F | A |
| | IC | 301 | 8A-CL9-681-010 | C-IC, M38B57MCH-XXXXFP | A |
| | JW | 405 | 87-A90-896-080 | F-BEAD, 035600STY7 | A |
| | JW | 472 | 87-A90-896-080 | F-BEAD, 035600STY7 | A |
| | LED | 301 | 87-A40-229-040 | LED, SLR-342VR TB7 RED | A |
| | LED | 305 | 87-A40-619-040 | LED, SLR-56PT-T31-W GRN | A |
| | LED | 303 | 87-A40-619-040 | LED, SLR-56PT-T31-W GRN | A |
| | LED | 304 | 87-A40-619-040 | LED, SLR-56PT-T31-W GRN | A |
| | LED | 302 | 87-A40-619-040 | LED, SLR-56PT-T31-W GRN | A |
| | PR | 301 | 87-026-689-080 | PROTECTOR, 1A 60V 491 | A |
| | PR | 301 | 87-A91-153-080 | FUSE, 630MA 125V 251 | . |
| | Q | 301 | 87-026-245-080 | TR, DTC114ES | A |
| | Q | 309 | 89-111-624-080 | TR, 2SA1162Y | A |
| | Q | 303 | 89-112-965-080 | TR, 2SA1296 (0.75W) | A |
| | Q | 302 | 89-112-965-080 | TR, 2SA1296 (0.75W) | A |

ELECTRICAL MAIN PARTS LIST - 2/7

| | | | | |
|---|-----|----------------|-----------------------------|--------------------|
| Q | 307 | 89-327-125-080 | CHIP TR,2SC2712GR | A..... |
| Q | 308 | 89-327-125-080 | CHIP TR,2SC2712GR | A..... |
| Q | 304 | 89-327-125-080 | CHIP TR,2SC2712GR | A..... |
| Q | 306 | 89-327-125-080 | CHIP TR,2SC2712GR | A..... |
| Q | 305 | 89-327-125-080 | CHIP TR,2SC2712GR | A..... |
| Q | 313 | 87-026-235-080 | CHIP-TR,DTC114EK | A..... |
| Q | 314 | 87-026-610-080 | TR,KTC3198GR | A..... |
| Q | 316 | 87-A30-074-080 | C-TR,RT1P 141C | A..... |
| Q | 315 | 87-A30-074-080 | C-TR,RT1P 141C | A..... |
| Q | 310 | 87-A30-076-080 | C-TR,2SC3052F | A..... |
| Q | 312 | 89-327-125-080 | CHIP TR,2SC2712GR | A..... |
| Q | 400 | 87-A30-087-080 | C-FET,2SK2158 | A..... |
| Q | 401 | 87-A30-087-080 | C-FET,2SK2158 | A..... |
| S | 302 | 87-A90-095-080 | SW,TACT EVQ11G04M | A..... |
| S | 306 | 87-A90-095-080 | SW,TACT EVQ11G04M | A..... |
| S | 307 | 87-A90-095-080 | SW,TACT EVQ11G04M | A..... |
| S | 303 | 87-A90-095-080 | SW,TACT EVQ11G04M | A..... |
| S | 308 | 87-A90-095-080 | SW,TACT EVQ11G04M | A..... |
| S | 305 | 87-A90-095-080 | SW,TACT EVQ11G04M | A..... |
| S | 304 | 87-A90-095-080 | SW,TACT EVQ11G04M | A..... |
| S | 301 | 87-A90-095-080 | SW,TACT EVQ11G04M | A..... |
| S | 309 | 87-A90-095-080 | SW,TACT EVQ11G04M | A..... |
| S | 317 | 87-A90-095-080 | SW,TACT EVQ11G04M | A..... |
| S | 316 | 87-A90-095-080 | SW,TACT EVQ11G04M | A..... |
| S | 310 | 87-A90-095-080 | SW,TACT EVQ11G04M | A..... |
| S | 312 | 87-A90-095-080 | SW,TACT EVQ11G04M | A..... |
| S | 318 | 87-A90-095-080 | SW,TACT EVQ11G04M | A..... |
| S | 314 | 87-A90-095-080 | SW,TACT EVQ11G04M | A..... |
| S | 311 | 87-A90-095-080 | SW,TACT EVQ11G04M | A..... |
| S | 313 | 87-A90-095-080 | SW,TACT EVQ11G04M | A..... |
| S | 315 | 87-A90-095-080 | SW,TACT EVQ11G04M | A..... |
| S | 320 | 87-A90-095-080 | SW,TACT EVQ11G04M | A..... |
| S | 351 | 87-A91-690-010 | SW,RTRY JOG RE0121PVB25FINB | A..... |
| X | 301 | 87-030-375-080 | VIB,CF 4.19MG200 | A..... |
| | | 87-067-579-010 | TAPPING SCREW, BVT2+3-8 | A..... |
| C | 209 | 87-010-186-080 | CAP,CHIP 4700P | A..... |
| C | 201 | 87-010-197-080 | CAP,CHIP 0.01 DM | A..... |
| C | 200 | 87-010-197-080 | CAP,CHIP 0.01 DM | A..... |
| C | 208 | 87-010-546-080 | CAP,ELECT 0.33-50V | A..... |
| C | 207 | 87-010-546-080 | CAP,ELECT 0.33-50V | A..... |
| C | 210 | 87-010-186-080 | CAP,CHIP 4700P | A..... |
| C | 219 | 87-010-196-080 | CHIP CAPACITOR,0.1-25 | A..... |
| C | 214 | 87-010-260-080 | CAP,ELECT 47-25V | A..... |
| C | 213 | 87-010-260-080 | CAP,ELECT 47-25V | A..... |
| C | 212 | 87-010-403-080 | CAP,ELECT 3.3-50V | A..... |
| C | 211 | 87-010-403-080 | CAP,ELECT 3.3-50V | A..... |
| C | 218 | 87-010-993-080 | C-CAP,S 0.056-25 B | A..... |
| C | 217 | 87-010-993-080 | C-CAP,S 0.056-25 B | A..... |
| C | 222 | 87-010-189-080 | C-CAP,S 8200P-50 B | A..... |
| C | 221 | 87-010-189-080 | C-CAP,S 8200P-50 B | A..... |
| C | 220 | 87-010-196-080 | CHIP CAPACITOR,0.1-25 | A..... |
| C | 227 | 87-010-260-080 | CAP,ELECT 47-25V | A..... |
| C | 229 | 87-012-156-080 | C-CAP,S 220P-50 CH | A..... |
| C | 230 | 87-012-156-080 | C-CAP,S 220P-50 CH | A..... |
| C | 261 | 87-010-197-080 | CAP,CHIP 0.01 DM | A..... |
| C | 276 | 87-010-178-080 | CHIP CAP 1000P | A..... |
| C | 273 | 87-010-196-080 | CHIP CAPACITOR,0.1-25 | A..... |
| C | 275 | 87-012-145-080 | CAP,CHIP S 270P CH | A..... |
| C | 274 | 87-012-145-080 | CAP,CHIP S 270P CH | A..... |
| D | 204 | 87-020-465-080 | DIODE,1SS133 (110MA) | A..... |
| D | 205 | 87-020-465-080 | DIODE,1SS133 (110MA) | A..... |
| D | 206 | 87-020-465-080 | DIODE,1SS133 (110MA) | A..... |
| D | 203 | 87-020-465-080 | DIODE,1SS133 (110MA) | A..... |
| D | 202 | 87-020-465-080 | DIODE,1SS133 (110MA) | A..... |
| D | 201 | 87-020-465-080 | DIODE,1SS133 (110MA) | A..... |
| D | 209 | 87-020-465-080 | DIODE,1SS133 (110MA) | A..... |
| D | 211 | 87-020-465-080 | DIODE,1SS133 (110MA) | A..... |
| D | 210 | 87-020-465-080 | DIODE,1SS133 (110MA) | A..... |
| J | 231 | 87-A60-420-010 | JACK,3.5 ST (MSC) | A..... |
| J | 241 | 87-A60-217-010 | TERMINAL,SPKR 4P | A..... |
| J | 241 | 87-A60-238-010 | TERMINAL,SP 4P (MSC) | A..... |
| J | 603 | 87-099-801-010 | JACK,PIN 1P BLK | A..... |
| L | 201 | 87-005-366-010 | COIL,1UH | A..... |
| L | 202 | 87-005-366-010 | COIL,1UH | A..... |
| Q | 209 | 87-026-610-080 | TR,KTC3198GR | A..... |
| Q | 204 | 87-A30-197-080 | TR,KTA1267GR | A..... |
| Q | 202 | 87-A30-197-080 | TR,KTA1267GR | A..... |
| Q | 203 | 87-A30-197-080 | TR,KTA1267GR | A..... |
| Q | 201 | 87-A30-197-080 | TR,KTA1267GR | A..... |
| Q | 208 | 87-A30-198-080 | TR,KTC3199GR | A..... |
| Q | 205 | 87-A30-198-080 | TR,KTC3199GR | A..... |
| Q | 206 | 87-A30-198-080 | TR,KTC3199GR | A..... |
| Q | 207 | 87-A30-198-080 | TR,KTC3199GR | A..... |
| Q | 217 | 87-026-219-080 | TR,DTA144ES (0.3W) | A..... |
| Q | 210 | 87-026-610-080 | TR,KTC3198GR | A..... |
| Q | 214 | 87-A30-126-010 | TR,2SB1616 | A..... SVT00074010 |
| Q | 213 | 87-A30-126-010 | TR,2SB1616 | A..... SVT00074010 |

ELECTRICAL MAIN PARTS LIST - 3/7

| | | | | | |
|----|-----|----------------|------------------------------|-------------|--------|
| Q | 212 | 87-A30-127-010 | TR,2SD2478 | SVT00074010 | A..... |
| Q | 211 | 87-A30-127-010 | TR,2SD2478 | SVT00074010 | A..... |
| Q | 216 | 87-A30-198-080 | TR,KTC3199GR | | A..... |
| Q | 215 | 87-A30-198-080 | TR,KTC3199GR | | A..... |
| Q | 263 | 87-026-609-080 | TR,KTA1266GR | | A..... |
| Q | 262 | 89-406-555-080 | TR,2SD655 (0.5W) | | A..... |
| Q | 261 | 89-406-555-080 | TR,2SD655 (0.5W) | | A..... |
| R | 223 | 87-A00-258-080 | RES,M/F 0.22-1W J | | A..... |
| R | 224 | 87-A00-258-080 | RES,M/F 0.22-1W J | | A..... |
| R | 249 | 87-A00-258-080 | RES,M/F 0.22-1W J | | A..... |
| R | 250 | 87-A00-258-080 | RES,M/F 0.22-1W J | | A..... |
| * | | 8A-CL9-671-010 | F-CABLE,9P 2.5 | | A..... |
| C | 102 | 87-010-197-080 | CAP,CHIP 0.01 DM | | A..... |
| C | 109 | 87-010-260-080 | CAP,ELECT 47-25V | | A..... |
| C | 108 | 87-010-381-080 | CAP,ELECT 330-16V | | A..... |
| C | 107 | 87-010-384-080 | CAP,ELECT 100-25V | | A..... |
| C | 106 | 87-010-408-080 | CAP,ELECT 47-50V | | A..... |
| C | 105 | 87-012-140-080 | CAP 470P | | A..... |
| C | 101 | 87-016-495-000 | CAP,E 3300-25 M SMG | | A..... |
| C | 104 | 87-A10-011-090 | CAP,E 2200-25 SMG | | A..... |
| C | 111 | 87-010-247-080 | CAP,ELECT 100-50V | | A..... |
| C | 110 | 87-010-260-080 | CAP,ELECT 47-25V | | A..... |
| C | 112 | 87-010-263-080 | CAP,ELECT 100-10V | | A..... |
| C | 114 | 87-010-374-080 | CAP,ELECT 47-10V | | A..... |
| C | 113 | 87-010-403-080 | CAP,ELECT 3.3-50V | | A..... |
| C | 115 | 87-A11-007-080 | CAP,M 0.047-50 J DE | | A..... |
| C | 116 | 87-A11-007-080 | CAP,M 0.047-50 J DE | | A..... |
| C | 122 | 87-010-260-080 | CAP,ELECT 47-25V | | A..... |
| C | 123 | 87-010-260-080 | CAP,ELECT 47-25V | | A..... |
| C | 132 | 87-012-368-080 | C-CAP,S 0.1-50 F | | A..... |
| C | 131 | 87-012-368-080 | C-CAP,S 0.1-50 F | | A..... |
| C | 151 | 87-010-196-080 | CHIP CAPACITOR,0.1-25 | | A..... |
| D | 108 | 87-020-465-080 | DIODE,1SS133 (110MA) | | A..... |
| D | 103 | 87-A40-454-080 | DIODE,1N5393 GW | | A..... |
| D | 102 | 87-A40-454-080 | DIODE,1N5393 GW | | A..... |
| D | 101 | 87-A40-454-080 | DIODE,1N5393 GW | | A..... |
| D | 104 | 87-A40-454-080 | DIODE,1N5393 GW | | A..... |
| D | 105 | 87-A40-553-080 | DIODE,1N4003 LES | | A..... |
| D | 106 | 87-A40-553-080 | DIODE,1N4003 LES | | A..... |
| D | 107 | 87-A40-781-080 | ZENER,UZ36BSA | | A..... |
| D | 117 | 87-A40-553-080 | DIODE,1N4003 LES | | A..... |
| D | 116 | 87-A40-553-080 | DIODE,1N4003 LES | | A..... |
| D | 110 | 87-A40-764-080 | ZENER,UZ10BSC | | A..... |
| D | 171 | 87-020-465-080 | DIODE,1SS133 (110MA) | | A..... |
| PN | 101 | 87-A90-510-010 | HLDR,WIRE 2.5-9P | | A..... |
| PR | 202 | 87-A90-070-080 | PROTECTOR,3.5A 251 | | |
| PR | 201 | 87-A90-070-080 | PROTECTOR,3.5A 251 | | |
| PR | 202 | 87-A90-473-080 | PROTECTOR,3.5A 491SERIES 60V | | A..... |
| PR | 201 | 87-A90-473-080 | PROTECTOR,3.5A 491SERIES 60V | | A..... |
| Q | 102 | 87-026-610-080 | TR,KTC3198GR | | A..... |
| Q | 104 | 87-A30-196-080 | TR,2SC4115SRS | | A..... |
| Q | 109 | 87-A30-198-080 | TR,KTC3199GR | | A..... |
| Q | 107 | 87-A30-198-080 | TR,KTC3199GR | | A..... |
| Q | 106 | 87-A30-198-080 | TR,KTC3199GR | | A..... |
| Q | 105 | 89-113-187-880 | TRANSISTOR,2SA1318 (0.5W) | | A..... |
| Q | 101 | 89-213-702-010 | TR,2SB1370 (1.8W) | | A..... |
| Q | 115 | 87-026-219-080 | TR,DTA144ES (0.3W) | | A..... |
| Q | 110 | 87-A30-197-080 | TR,KTA1267GR | | A..... |
| Q | 112 | 87-A30-198-080 | TR,KTC3199GR | | A..... |
| Q | 111 | 89-213-702-010 | TR,2SB1370 (1.8W) | | A..... |
| C | 303 | 87-010-177-080 | C-CAP,S 820P-50 SL | | A..... |
| C | 304 | 87-010-177-080 | C-CAP,S 820P-50 SL | | A..... |
| C | 307 | 87-010-263-080 | CAP,ELECT 100-10V | | A..... |
| C | 308 | 87-010-263-080 | CAP,ELECT 100-10V | | A..... |
| C | 313 | 87-010-184-080 | CHIP CAPACITOR 3300P(K) | | A..... |
| C | 314 | 87-010-184-080 | CHIP CAPACITOR 3300P(K) | | A..... |
| C | 312 | 87-010-195-080 | C-CAP,S 0.068-25 F | | A..... |
| C | 311 | 87-010-195-080 | C-CAP,S 0.068-25 F | | A..... |
| C | 315 | 87-010-374-080 | CAP,ELECT 47-10V | | A..... |
| C | 317 | 87-010-546-080 | CAP,ELECT 0.33-50V | | A..... |
| C | 318 | 87-010-546-080 | CAP,ELECT 0.33-50V | | A..... |
| C | 320 | 87-010-401-080 | CAP,ELECT 1-50V | | A..... |
| C | 321 | 87-010-405-080 | CAP,ELECT 10-50V | | A..... |
| C | 349 | 87-010-322-080 | C-CAP,S 100P-50 CH | | |
| C | 340 | 87-012-156-080 | C-CAP,S 220P-50 CH | | A..... |
| C | 350 | 87-010-322-080 | C-CAP,S 100P-50 CH | | |
| C | 361 | 87-010-374-080 | CAP,ELECT 47-10V | | A..... |
| C | 362 | 87-010-401-080 | CAP,ELECT 1-50V | | A..... |
| C | 386 | 87-010-197-080 | CAP,CHIP 0.01 DM | | |
| C | 393 | 87-010-178-080 | CHIP CAP 1000P | | |
| C | 394 | 87-010-178-080 | CHIP CAP 1000P | | |
| C | 406 | 87-010-188-080 | CAP,CHIP 6800P | | A..... |
| C | 405 | 87-010-188-080 | CAP,CHIP 6800P | | A..... |
| C | 403 | 87-010-321-080 | CHIP CAPACITOR,82P(J) | | A..... |
| C | 404 | 87-010-321-080 | CHIP CAPACITOR,82P(J) | | A..... |
| C | 402 | 87-010-401-080 | CAP,ELECT 1-50V | | A..... |
| C | 401 | 87-010-401-080 | CAP,ELECT 1-50V | | A..... |

ELECTRICAL MAIN PARTS LIST - 4/7

| | | | | |
|----|-----|----------------|------------------------------|---|
| C | 407 | 87-010-426-080 | C-CAP, S 0.012-25 B | A |
| C | 408 | 87-010-426-080 | C-CAP, S 0.012-25 B | A |
| C | 459 | 87-010-175-080 | CAP 560P | A |
| C | 458 | 87-010-178-080 | CHIP CAP 1000P | A |
| C | 453 | 87-010-183-080 | C-CAP, S 2700P-50 B | A |
| C | 454 | 87-010-183-080 | C-CAP, S 2700P-50 B | A |
| C | 455 | 87-010-183-080 | C-CAP, S 2700P-50 B | A |
| C | 456 | 87-010-197-080 | CAP, CHIP 0.01 DM | A |
| C | 451 | 87-010-198-080 | CAP, CHIP 0.022 | A |
| C | 452 | 87-010-382-080 | CAP, ELECT 22-25V | A |
| C | 457 | 87-A10-772-080 | CAP, M 5600P-50 J | A |
| C | 462 | 87-012-158-080 | C-CAP, S 390P-50 CH | A |
| C | 461 | 87-012-158-080 | C-CAP, S 390P-50 CH | A |
| CN | 351 | 87-A60-624-010 | CONN, 7P V 2MM JMT | A |
| D | 311 | 87-020-465-080 | DIODE, 1SS133 (110MA) | A |
| D | 310 | 87-020-465-080 | DIODE, 1SS133 (110MA) | A |
| IC | 301 | 87-017-889-010 | IC, NJM4558LD | A |
| IC | 401 | 87-017-889-010 | IC, NJM4558LD | A |
| L | 451 | 87-007-342-010 | COIL, OSC 85K BIAS | A |
| Q | 306 | 87-026-219-080 | TR, DTA144ES (0.3W) | A |
| Q | 308 | 87-A30-090-080 | FET, 2SK2541 | A |
| Q | 307 | 87-A30-090-080 | FET, 2SK2541 | A |
| Q | 305 | 87-A30-090-080 | FET, 2SK2541 | A |
| Q | 309 | 87-A30-197-080 | TR, KTA1267GR | A |
| Q | 310 | 87-A30-197-080 | TR, KTA1267GR | A |
| Q | 315 | 89-327-125-080 | CHIP TR, 2SC2712GR | A |
| Q | 441 | 87-A30-197-080 | TR, KTA1267GR | A |
| Q | 442 | 87-A30-197-080 | TR, KTA1267GR | A |
| Q | 451 | 87-026-610-080 | TR, KTC3198GR | A |
| Q | 454 | 87-026-610-080 | TR, KTC3198GR | A |
| Q | 453 | 87-026-610-080 | TR, KTC3198GR | A |
| Q | 452 | 87-A30-198-080 | TR, KTC3199GR | A |
| Q | 152 | 87-010-178-080 | CHIP CAP 1000P | A |
| C | 602 | 87-010-180-080 | C-CER 1500P | A |
| C | 601 | 87-010-180-080 | C-CER 1500P | A |
| C | 603 | 87-010-322-080 | C-CAP, S 100P-50 CH | A |
| C | 609 | 87-012-287-080 | C-CAP, U 0.015-25 F | A |
| C | 615 | 87-010-154-080 | CAP CHIP 10P | A |
| C | 610 | 87-010-213-080 | C-CAP, S 0.015-50 B | A |
| C | 619 | 87-010-401-080 | CAP, ELECT 1-50V | A |
| C | 617 | 87-010-408-080 | CAP, ELECT 47-50V | A |
| C | 616 | 87-010-408-080 | CAP, ELECT 47-50V | A |
| C | 612 | 87-010-545-080 | CAP, ELECT 0.22-50V | A |
| C | 614 | 87-010-545-080 | CAP, ELECT 0.22-50V | A |
| C | 613 | 87-010-545-080 | CAP, ELECT 0.22-50V | A |
| C | 611 | 87-010-545-080 | CAP, ELECT 0.22-50V | A |
| C | 628 | 87-010-197-080 | CAP, CHIP 0.01 DM | A |
| C | 627 | 87-010-197-080 | CAP, CHIP 0.01 DM | A |
| C | 620 | 87-010-401-080 | CAP, ELECT 1-50V | A |
| C | 631 | 87-010-197-080 | CAP, CHIP 0.01 DM | A |
| C | 635 | 87-015-785-080 | CHIP CAPACITOR, 0.1FZ-25Z | A |
| C | 661 | 87-010-178-080 | CHIP CAP 1000P | A |
| C | 663 | 87-010-196-080 | CHIP CAPACITOR, 0.1-25 | A |
| C | 670 | 87-010-196-080 | CHIP CAPACITOR, 0.1-25 | A |
| C | 697 | 87-010-197-080 | CAP, CHIP 0.01 DM | A |
| C | 698 | 87-010-197-080 | CAP, CHIP 0.01 DM | A |
| C | 704 | 87-010-971-080 | C-CAP, S 4700P-50 B J | A |
| C | 703 | 87-010-971-080 | C-CAP, S 4700P-50 B J | A |
| CN | 202 | 87-099-719-010 | CONN, 30P TYK-B(X) | A |
| CN | 702 | 87-099-570-010 | CONN, 13P TUC-P13P-B1 | A |
| CN | 702 | 87-A60-189-010 | CONN, 16P V TUC-P16P-B1 | A |
| D | 603 | 87-020-465-080 | DIODE, 1SS133 (110MA) | A |
| D | 602 | 87-A40-739-080 | ZENER, UZ2.7BSA | A |
| D | 601 | 87-A40-739-080 | ZENER, UZ2.7BSA | A |
| IC | 601 | 87-A21-520-040 | C-IC, M61509FP | A |
| J | 601 | 87-A60-881-010 | JACK, PIN 2P MSP 242V05 PBSN | A |
| Q | 601 | 87-026-502-080 | DTC144TS | A |
| Q | 602 | 87-A30-436-040 | C-TR, DTC144TKA | A |
| Q | 603 | 87-A30-436-040 | C-TR, DTC144TKA | A |
| C | 604 | 87-012-156-080 | C-CAP, S 220P-50 CH | A |
| C | 705 | 87-010-186-080 | CAP, CHIP 4700P | A |
| D | 702 | 87-020-465-080 | DIODE, 1SS133 (110MA) | A |
| FB | 101 | 87-A90-896-080 | F-BEAD, 035600STY7 | A |
| FB | 102 | 87-A90-896-080 | F-BEAD, 035600STY7 | A |
| JW | 50 | 87-A90-896-080 | F-BEAD, 035600STY7 | A |
| JW | 69 | 87-A90-896-080 | F-BEAD, 035600STY7 | A |
| JW | 568 | 87-A90-896-080 | F-BEAD, 035600STY7 | A |
| JW | 569 | 87-A90-896-080 | F-BEAD, 035600STY7 | A |
| L | 96 | 87-003-097-080 | COIL, 1UH | A |
| C | 2 | 87-010-197-080 | CAP, CHIP 0.01 DM | A |
| C | 5 | 87-010-197-080 | CAP, CHIP 0.01 DM | A |
| C | 8 | 87-010-198-080 | CAP, CHIP 0.022 | A |
| C | 4 | 87-010-248-080 | CAP, ELECT 220-10V | A |
| C | 3 | 87-010-263-080 | CAP, ELECT 100-10V | A |
| C | 9 | 87-010-263-080 | CAP, ELECT 100-10V | A |
| C | 6 | 87-010-374-080 | CAP, ELECT 47-10V | A |
| C | 1 | 87-010-403-080 | CAP, ELECT 3.3-50V | A |

ELECTRICAL MAIN PARTS LIST - 5/7

| | | | | |
|----|-----|----------------|-----------------------|--|
| C | 7 | 87-012-349-080 | C-CAP,S 1000P-50 CH | |
| C | 13 | 87-010-197-080 | CAP, CHIP 0.01 DM | |
| C | 18 | 87-010-213-080 | C-CAP,S 0.015-50 B | |
| C | 10 | 87-010-263-080 | CAP, ELECT 100-10V | |
| C | 12 | 87-010-401-080 | CAP, ELECT 1-50V | |
| C | 14 | 87-010-405-080 | CAP, ELECT 10-50V | |
| C | 16 | 87-010-545-080 | CAP, ELECT 0.22-50V | |
| C | 17 | 87-012-349-080 | C-CAP,S 1000P-50 CH | |
| C | 29 | 87-010-186-080 | CAP,CHIP 4700P | |
| C | 20 | 87-010-193-080 | CHIP CAPACITOR,0.033 | |
| C | 23 | 87-010-992-080 | C-CAP,S 0.047-25 B | |
| C | 21 | 87-A10-306-080 | CAP,M 0.082-50 J | |
| C | 34 | 87-010-182-080 | C-CAP,S 2200P-50 B | |
| C | 38 | 87-010-196-080 | CHIP CAPACITOR,0.1-25 | |
| C | 35 | 87-010-197-080 | CAP, CHIP 0.01 DM | |
| C | 36 | 87-010-374-080 | CAP, ELECT 47-10V | |
| C | 32 | 87-010-374-080 | CAP, ELECT 47-10V | |
| C | 33 | 87-010-401-080 | CAP, ELECT 1-50V | |
| C | 37 | 87-010-404-080 | CAP, ELECT 4.7-50V | |
| C | 31 | 87-010-545-080 | CAP, ELECT 0.22-50V | |
| C | 30 | 87-012-156-080 | C-CAP,S 220P-50 CH | |
| C | 39 | 87-012-349-080 | C-CAP,S 1000P-50 CH | |
| C | 40 | 87-010-150-080 | C-CAP,S 6P-50 CH | |
| C | 45 | 87-010-196-080 | CHIP CAPACITOR,0.1-25 | |
| C | 46 | 87-010-196-080 | CHIP CAPACITOR,0.1-25 | |
| C | 47 | 87-010-196-080 | CHIP CAPACITOR,0.1-25 | |
| C | 42 | 87-010-313-080 | CAP, CHIP 18P | |
| C | 48 | 87-010-315-080 | C-CAP,S 27P-50 CH | |
| C | 41 | 87-A10-301-080 | CAP,M 0.033-50 J | |
| C | 59 | 87-010-263-080 | CAP, ELECT 100-10V | |
| C | 58 | 87-010-316-080 | C-CAP,S 33P-50 CH | |
| C | 57 | 87-010-316-080 | C-CAP,S 33P-50 CH | |
| C | 51 | 87-010-994-080 | C-CAP,S 680P-50 CH | |
| C | 50 | 87-012-140-080 | CAP 470P | |
| C | 61 | 87-010-196-080 | CHIP CAPACITOR,0.1-25 | |
| C | 66 | 87-010-196-080 | CHIP CAPACITOR,0.1-25 | |
| C | 60 | 87-010-196-080 | CHIP CAPACITOR,0.1-25 | |
| C | 67 | 87-010-263-080 | CAP, ELECT 100-10V | |
| C | 62 | 87-010-370-080 | CAP,E 330-6.3 SME | |
| C | 65 | 87-010-404-080 | CAP, ELECT 4.7-50V | |
| C | 79 | 87-010-197-080 | CAP, CHIP 0.01 DM | |
| C | 78 | 87-010-197-080 | CAP, CHIP 0.01 DM | |
| C | 75 | 87-010-197-080 | CAP, CHIP 0.01 DM | |
| C | 77 | 87-010-263-080 | CAP, ELECT 100-10V | |
| C | 76 | 87-A10-102-080 | CAP,E 1000-10 REA | |
| C | 80 | 87-010-112-080 | CAP, ELECT 100-16V | |
| C | 83 | 87-010-181-080 | CAP,CHIP S 1800P | |
| C | 84 | 87-010-181-080 | CAP,CHIP S 1800P | |
| C | 81 | 87-010-405-080 | CAP, ELECT 10-50V | |
| C | 82 | 87-010-405-080 | CAP, ELECT 10-50V | |
| C | 90 | 87-010-197-080 | CAP, CHIP 0.01 DM | |
| C | 95 | 87-010-197-080 | CAP, CHIP 0.01 DM | |
| C | 97 | 87-010-197-080 | CAP, CHIP 0.01 DM | |
| C | 93 | 87-010-197-080 | CAP, CHIP 0.01 DM | |
| C | 94 | 87-010-197-080 | CAP, CHIP 0.01 DM | |
| C | 96 | 87-010-221-080 | CAP, ELECT 470-10V | |
| C | 92 | 87-010-387-080 | CAP,E 470-25 SME | |
| C | 91 | 87-010-404-080 | CAP, ELECT 4.7-50V | |
| C | 98 | 87-012-154-080 | C-CAP,S 150P-50 CH | |
| C | 104 | 87-010-322-080 | C-CAP,S 100P-50 CH | |
| C | 101 | 87-010-322-080 | C-CAP,S 100P-50 CH | |
| C | 103 | 87-010-322-080 | C-CAP,S 100P-50 CH | |
| C | 102 | 87-010-322-080 | C-CAP,S 100P-50 CH | |
| C | 105 | 87-010-322-080 | C-CAP,S 100P-50 CH | |
| C | 110 | 87-010-196-080 | CHIP CAPACITOR,0.1-25 | |
| C | 151 | 87-010-197-080 | CAP, CHIP 0.01 DM | |
| C | 150 | 87-010-263-080 | CAP, ELECT 100-10V | |
| CN | 4 | 87-099-032-010 | CONN,15P 6216 H | |
| CN | 6 | 87-A60-130-010 | CONN,5P V FE | |
| CN | 3 | 87-A60-131-010 | CONN,6P V FE | |
| CN | 1 | 87-A60-424-010 | CONN,16P V TOC-B | |
| D | 2 | 87-020-465-080 | DIODE,1SS133 (110MA) | |
| D | 1 | 87-020-465-080 | DIODE,1SS133 (110MA) | |
| D | 12 | 87-020-465-080 | DIODE,1SS133 (110MA) | |
| D | 13 | 87-A40-270-080 | C-DIODE,MC2838 | |
| D | 150 | 87-A40-558-010 | LED,SLZ-8128A-01-A | |
| IC | 6 | 87-001-536-010 | IC,NJM78M05FA | |
| IC | 4 | 87-A20-157-010 | IC,TA2092N | |
| IC | 1 | 87-A20-446-010 | C-IC,LA9241ML | |
| IC | 2 | 87-A20-459-010 | C-IC,LC78622ED | |
| IC | 10 | 87-001-982-010 | IC,TA7291S | |
| J | 150 | 84-ZG1-244-310 | CABI,OPTICAL | |
| L | 1 | 87-003-102-080 | COIL, 10UH | |
| Q | 1 | 87-026-463-080 | TR,2SA933S (0.3W) | |
| Q | 13 | 87-026-297-080 | TR,DTA144TK | |
| Q | 15 | 87-026-297-080 | TR,DTA144TK | |
| Q | 14 | 87-026-297-080 | TR,DTA144TK | |

ELECTRICAL MAIN PARTS LIST - 6/7

| | | | | |
|---|-----|----------------|---------------------------|--------|
| Q | 10 | 87-026-297-080 | TR,DTA144TK | |
| Q | 11 | 87-026-297-080 | TR,DTA144TK | |
| Q | 12 | 87-026-297-080 | TR,DTA144TK | |
| Q | 83 | 87-026-239-080 | TR,DTC114TK (0.2W) | |
| Q | 84 | 87-026-239-080 | TR,DTC114TK (0.2W) | |
| Q | 81 | 87-026-297-080 | TR,DTA144TK | |
| Q | 82 | 87-026-297-080 | TR,DTA144TK | |
| Q | 96 | 89-109-521-080 | TR,2SA952 (0.6W) | |
| Q | 90 | 89-109-521-080 | TR,2SA952 (0.6W) | |
| Q | 94 | 89-109-521-080 | TR,2SA952 (0.6W) | |
| Q | 92 | 89-109-521-080 | TR,2SA952 (0.6W) | |
| Q | 98 | 89-318-155-080 | TR,2SC1815 (0.4W) | |
| Q | 150 | 87-A30-075-080 | C-TR,2SA1235F | |
| R | 70 | 87-029-124-090 | RESISTOR, FUSE 1/4W 2.2 | |
| R | 73 | 87-029-361-090 | FUSING RESISTOR, 1/2W-3.3 | |
| X | 1 | 87-A70-046-010 | VIB,XTAL 16.934MHZ | |
| C | 5 | 87-010-197-080 | CAP, CHIP 0.01 DM | A..... |
| C | 2 | 87-010-197-080 | CAP, CHIP 0.01 DM | A..... |
| C | 8 | 87-010-198-080 | CAP, CHIP 0.022 | A..... |
| C | 4 | 87-010-248-080 | CAP, ELECT 220-10V | A..... |
| C | 9 | 87-010-263-080 | CAP, ELECT 100-10V | A..... |
| C | 3 | 87-010-263-080 | CAP, ELECT 100-10V | A..... |
| C | 6 | 87-010-374-080 | CAP, ELECT 47-10V | A..... |
| C | 1 | 87-010-403-080 | CAP, ELECT 3.3-50V | A..... |
| C | 7 | 87-012-349-080 | C-CAP,S 1000P-50 CH | A..... |
| C | 13 | 87-010-197-080 | CAP, CHIP 0.01 DM | A..... |
| C | 18 | 87-010-213-080 | C-CAP,S 0.015-50 B | A..... |
| C | 10 | 87-010-263-080 | CAP, ELECT 100-10V | A..... |
| C | 12 | 87-010-401-080 | CAP, ELECT 1-50V | A..... |
| C | 14 | 87-010-405-080 | CAP, ELECT 10-50V | A..... |
| C | 16 | 87-010-545-080 | CAP, ELECT 0.22-50V | A..... |
| C | 17 | 87-012-349-080 | C-CAP,S 1000P-50 CH | A..... |
| C | 29 | 87-010-186-080 | CAP,CHIP 4700P | A..... |
| C | 20 | 87-010-193-080 | CHIP CAPACITOR,0.033 | A..... |
| C | 23 | 87-010-992-080 | C-CAP,S 0.047-25 B | A..... |
| C | 21 | 87-A10-306-080 | CAP,M 0.082-50 J | A..... |
| C | 34 | 87-010-182-080 | C-CAP,S 2200P-50 B | A..... |
| C | 38 | 87-010-196-080 | CHIP CAPACITOR,0.1-25 | A..... |
| C | 35 | 87-010-197-080 | CAP, CHIP 0.01 DM | A..... |
| C | 36 | 87-010-374-080 | CAP, ELECT 47-10V | A..... |
| C | 32 | 87-010-374-080 | CAP, ELECT 47-10V | A..... |
| C | 33 | 87-010-401-080 | CAP, ELECT 1-50V | A..... |
| C | 37 | 87-010-405-080 | CAP, ELECT 10-50V | A..... |
| C | 31 | 87-010-545-080 | CAP, ELECT 0.22-50V | A..... |
| C | 30 | 87-012-156-080 | C-CAP,S 220P-50 CH | A..... |
| C | 39 | 87-012-349-080 | C-CAP,S 1000P-50 CH | A..... |
| C | 40 | 87-010-148-080 | CAP, CHIP S 75P SL | A..... |
| C | 46 | 87-010-196-080 | CHIP CAPACITOR,0.1-25 | A..... |
| C | 47 | 87-010-196-080 | CHIP CAPACITOR,0.1-25 | A..... |
| C | 45 | 87-010-196-080 | CHIP CAPACITOR,0.1-25 | A..... |
| C | 42 | 87-010-313-080 | CAP, CHIP 18P | A..... |
| C | 48 | 87-010-315-080 | C-CAP,S 27P-50 CH | A..... |
| C | 41 | 87-A10-294-080 | CAP,M 8200P-50 J | A..... |
| C | 59 | 87-010-263-080 | CAP, ELECT 100-10V | A..... |
| C | 57 | 87-010-316-080 | C-CAP,S 33P-50 CH | A..... |
| C | 58 | 87-010-316-080 | C-CAP,S 33P-50 CH | A..... |
| C | 51 | 87-010-994-080 | C-CAP,S 680P-50 CH | A..... |
| C | 50 | 87-012-140-080 | CAP 470P | A..... |
| C | 61 | 87-010-196-080 | CHIP CAPACITOR,0.1-25 | A..... |
| C | 66 | 87-010-196-080 | CHIP CAPACITOR,0.1-25 | A..... |
| C | 60 | 87-010-196-080 | CHIP CAPACITOR,0.1-25 | A..... |
| C | 67 | 87-010-263-080 | CAP, ELECT 100-10V | A..... |
| C | 68 | 87-010-322-080 | C-CAP,S 100P-50 CH | |
| C | 62 | 87-010-370-080 | CAP,E 330-6.3 SME | A..... |
| C | 65 | 87-010-404-080 | CAP, ELECT 4.7-50V | A..... |
| C | 75 | 87-010-197-080 | CAP, CHIP 0.01 DM | A..... |
| C | 78 | 87-010-197-080 | CAP, CHIP 0.01 DM | A..... |
| C | 79 | 87-010-197-080 | CAP, CHIP 0.01 DM | A..... |
| C | 77 | 87-010-263-080 | CAP, ELECT 100-10V | A..... |
| C | 76 | 87-A10-102-080 | CAP,E 1000-10 REA | A..... |
| C | 80 | 87-010-112-080 | CAP, ELECT 100-16V | A..... |
| C | 83 | 87-010-181-080 | CAP,CHIP S 1800P | A..... |
| C | 84 | 87-010-181-080 | CAP,CHIP S 1800P | A..... |
| C | 82 | 87-010-405-080 | CAP, ELECT 10-50V | A..... |
| C | 81 | 87-010-405-080 | CAP, ELECT 10-50V | A..... |
| C | 97 | 87-010-197-080 | CAP, CHIP 0.01 DM | A..... |
| C | 93 | 87-010-197-080 | CAP, CHIP 0.01 DM | A..... |
| C | 95 | 87-010-197-080 | CAP, CHIP 0.01 DM | A..... |
| C | 90 | 87-010-197-080 | CAP, CHIP 0.01 DM | A..... |
| C | 94 | 87-010-197-080 | CAP, CHIP 0.01 DM | A..... |
| C | 96 | 87-010-221-080 | CAP, ELECT 470-10V | A..... |
| C | 92 | 87-010-387-080 | CAP,E 470-25 SME | A..... |
| C | 91 | 87-010-404-080 | CAP, ELECT 4.7-50V | A..... |
| C | 98 | 87-012-154-080 | C-CAP,S 150P-50 CH | A..... |
| C | 105 | 87-010-322-080 | C-CAP,S 100P-50 CH | A..... |
| C | 104 | 87-010-322-080 | C-CAP,S 100P-50 CH | A..... |
| C | 103 | 87-A11-448-080 | C-CAP,S 100P-50 J CG | |

ELECTRICAL MAIN PARTS LIST - 7/7

| | | | | |
|----|-----|----------------|-------------------------------|---|
| C | 101 | 87-A11-448-080 | C-CAP, S 100P-50 J CG | A |
| C | 110 | 87-010-196-080 | CHIP CAPACITOR, 0.1-25 | A |
| C | 151 | 87-010-197-080 | CAP, CHIP 0.01 DM | A |
| C | 150 | 87-010-263-080 | CAP, ELECT 100-10V | A |
| C | 162 | 87-010-178-080 | CHIP CAP 1000P | A |
| CN | 4 | 87-099-032-010 | CONN, 15P 6216 H | A |
| CN | 3 | 87-A60-131-010 | CONN, 6P V FE | A |
| CN | 6 | 87-A60-153-010 | CONN, 5P H FE | A |
| CN | 1 | 87-A60-424-010 | CONN, 16P V TOC-B | A |
| D | 2 | 87-020-465-080 | DIODE, 1SS133 (110MA) | A |
| D | 1 | 87-020-465-080 | DIODE, 1SS133 (110MA) | A |
| D | 12 | 87-020-465-080 | DIODE, 1SS133 (110MA) | A |
| D | 13 | 87-A40-270-080 | C-DIODE, MC2838 | A |
| D | 150 | 87-A40-558-010 | LED, SLZ-8128A-01-A | A |
| IC | 6 | 87-001-536-010 | IC, NJM78M05FA | A |
| IC | 4 | 87-A20-157-010 | IC, TA2092N | A |
| IC | 1 | 87-A20-446-010 | C-IC, LA9241ML | A |
| IC | 2 | 87-A20-459-010 | C-IC, LC78622ED | A |
| IC | 10 | 87-001-982-010 | IC, TA7291S | A |
| J | 150 | 84-ZG1-244-310 | CABI, OPTICAL | A |
| JR | 161 | 83-XM1-617-080 | C-COIL, BK2125HM601 | A |
| L | 1 | 87-003-102-080 | COIL, 10UH | A |
| Q | 1 | 87-026-463-080 | TR, 2SA933S (0.3W) | A |
| Q | 13 | 87-026-297-080 | TR, DTA144TK | A |
| Q | 14 | 87-026-297-080 | TR, DTA144TK | A |
| Q | 11 | 87-026-297-080 | TR, DTA144TK | A |
| Q | 10 | 87-026-297-080 | TR, DTA144TK | A |
| Q | 12 | 87-026-297-080 | TR, DTA144TK | A |
| Q | 15 | 87-026-297-080 | TR, DTA144TK | A |
| Q | 83 | 87-026-239-080 | TR, DTC114TK (0.2W) | A |
| Q | 84 | 87-026-239-080 | TR, DTC114TK (0.2W) | A |
| Q | 82 | 87-026-297-080 | TR, DTA144TK | A |
| Q | 81 | 87-026-297-080 | TR, DTA144TK | A |
| Q | 94 | 89-109-521-080 | TR, 2SA952 (0.6W) | A |
| Q | 92 | 89-109-521-080 | TR, 2SA952 (0.6W) | A |
| Q | 90 | 89-109-521-080 | TR, 2SA952 (0.6W) | A |
| Q | 96 | 89-109-521-080 | TR, 2SA952 (0.6W) | A |
| Q | 98 | 89-318-155-080 | TR, 2SC1815 (0.4W) | A |
| Q | 150 | 87-A30-075-080 | C-TR, 2SA1235F | A |
| R | 70 | 87-029-124-090 | RESISTOR, FUSE 1/4W 2.2 | A |
| R | 73 | 87-029-361-090 | FUSING RESISTOR, 1/2W-3.3 | A |
| X | 1 | 87-A70-046-010 | VIB, XTAL 16.934MHZ | A |
| C | 101 | 87-010-387-080 | CAP, E 470-25 SME | A |
| CN | 101 | 87-A61-110-010 | CONN, 9P V TID-A | A |
| D | 102 | 87-020-465-080 | DIODE, 1SS133 (110MA) | A |
| D | 108 | 87-020-465-080 | DIODE, 1SS133 (110MA) | A |
| D | 107 | 87-020-465-080 | DIODE, 1SS133 (110MA) | A |
| D | 103 | 87-020-465-080 | DIODE, 1SS133 (110MA) | A |
| D | 105 | 87-020-465-080 | DIODE, 1SS133 (110MA) | A |
| D | 104 | 87-020-465-080 | DIODE, 1SS133 (110MA) | A |
| D | 101 | 87-020-465-080 | DIODE, 1SS133 (110MA) | A |
| FC | 101 | 87-033-213-080 | CLAMP, FUSE | A |
| FC | 102 | 87-033-213-080 | CLAMP, FUSE | A |
| PR | 101 | 87-026-681-080 | PROTECTOR, 5A 60V 491 | A |
| PR | 102 | 87-026-681-080 | PROTECTOR, 5A 60V 491 | A |
| PR | 104 | 87-A91-276-080 | FUSE, 125MA 125V F 251 | A |
| PT | 102 | 8A-NF8-662-010 | PT, SUB ANF-8 (E) | A |
| PT | 102 | 8A-NF8-664-010 | PT, SUB ANF-8 (D) | A |
| PT | 102 | 8A-NF8-673-010 | PT, SUB ANF-8 (H) KAMI | A |
| Q | 101 | 87-026-610-080 | TR, KTC3198GR | A |
| RY | 102 | 87-A90-976-010 | RELAY, AC12V SDT-S-112LMR | A |
| RY | 102 | 87-A91-281-010 | RELAY, AC DC12V OSA-SS-212DM5 | A |
| SW | 101 | 87-A90-234-010 | SW, SL 1-2-2 SW2201 | A |
| T | 101 | 87-A60-317-010 | TERMINAL, 1P MSC | A |
| T | 102 | 87-A60-317-010 | TERMINAL, 1P MSC | A |

ELECTRICAL MAIN PARTS LIST - 1/3(TUNER: ZZA-1)

NOTE: The characters in the suffix column indicate the part usage.

| HE2B RTNM | REF.NO | PARTS NO. | XX KANRI NO. | DESCRIPTION | C SUFFIX |
|-----------|--------|-----------|--------------------|-----------------------------|-------------|
| | C | 701 | 87-010-381-080 | CAP, ELECT 330-16V | ABC..... |
| | C | 702 | 87-010-404-080 | CAP, ELECT 4.7-50V | ABC..... |
| | C | 711 | 87-010-260-080 | CAP, ELECT 47-25V | ABC..... |
| | C | 711 | 87-010-553-080 | CAP, E 47-16 | |
| | C | 712 | 87-010-831-080 | C-CAP, U, 0.1-16F | ABC..... |
| | C | 718 | 87-012-179-080 | C-CAP, U 20P-50 CH | .B..... |
| | C | 727 | 87-010-196-080 | CHIP CAPACITOR, 0.1-25 | ABC..... |
| | C | 728 | 87-010-248-080 | CAP, ELECT 220-10V | ABC..... |
| | C | 722 | 87-012-176-080 | CAP 15P | ABC..... |
| | C | 721 | 87-012-176-080 | CAP 15P | ABC..... |
| | C | 720 | 87-012-195-080 | C-CAP, U 100P-50CH | ABC..... |
| | C | 729 | 87-012-274-080 | CHIP CAP, U 1000P-50B | ABC..... |
| | C | 725 | 87-018-131-080 | CAP, CER 1000P-50V | |
| | C | 805 | 87-012-286-080 | CAP, U 0.01-25 | ABC..... |
| | C | 806 | 87-012-286-080 | CAP, U 0.01-25 | ABC..... |
| CN | CN | 701 | 87-A60-650-010 | CONN, 16P H GRY TUC-P16X-C1 | |
| CN | CN | 701 | 87-A60-700-010 | CONN, 13P H GRY TUC-P13X-C1 | ABC..... |
| D | D | 721 | 87-017-149-080 | ZENER, HZS6A2L | ABC..... |
| D | D | 722 | 87-020-465-080 | DIODE, 1SS133 (110MA) | |
| IC | IC | 721 | 87-070-127-110 | IC, LC72131 D | ABC..... |
| Q | Q | 712 | 87-A30-072-080 | C-TR, RT1P 144C | |
| Q | Q | 713 | 87-A30-072-080 | C-TR, RT1P 144C | |
| Q | Q | 711 | 87-A30-234-080 | TR, CSC4115BC | ABC..... |
| X | X | 721 | 87-A70-061-010 | VIB, XTAL 4.500MHZ CSA-309 | ABC..... |
| C | C | 872 | 87-010-400-080 | CAP, ELECT 0.47-50V | |
| C | C | 873 | 87-010-404-080 | CAP, ELECT 4.7-50V | |
| C | C | 877 | 87-012-278-080 | C-CAP, U 2200P-50 B | |
| C | C | 878 | 87-012-278-080 | C-CAP, U 2200P-50 B | |
| C | C | 889 | 87-010-248-080 | CAP, ELECT 220-10V | |
| C | C | 884 | 87-010-260-080 | CAP, ELECT 47-25V | |
| C | C | 883 | 87-010-404-080 | CAP, ELECT 4.7-50V | |
| C | C | 885 | 87-010-545-080 | CAP, ELECT 0.22-50V | |
| C | C | 886 | 87-010-545-080 | CAP, ELECT 0.22-50V | |
| C | C | 888 | 87-010-787-080 | CAP, U 0.022-25 | |
| C | C | 881 | 87-012-141-080 | CHIP-CAPACITOR, 0.22-16F | |
| C | C | 882 | 87-012-172-080 | CAPACITOR CHIP U 10P CH | |
| C | C | 887 | 87-012-286-080 | CAP, U 0.01-25 | |
| C | C | 886 | 87-016-460-080 | C-CAP, S 0.22-16 B | |
| C | C | 885 | 87-016-460-080 | C-CAP, S 0.22-16 B | |
| IC | IC | 871 | 87-070-060-040 | IC, TA2040AF | |
| Q | Q | 873 | 87-026-226-080 | CHIP-TR, DTA143EK | |
| X | X | 891 | 87-030-394-010 | VIB, CER CSA3.6MGF228 | |
| C | C | 705 | 87-A10-592-080 | C-CAP, S 0.015-50 J B | ABC..... |
| C | C | 706 | 87-A10-592-080 | C-CAP, S 0.015-50 J B | ABC..... |
| C | C | 733 | 87-010-987-080 | C-CAP, S 1500P-50 CH | ABC..... |
| C | C | 736 | 87-010-987-080 | C-CAP, S 1500P-50 CH | ABC..... |
| C | C | 735 | 87-010-987-080 | C-CAP, S 1500P-50 CH | ABC..... |
| C | C | 734 | 87-010-987-080 | C-CAP, S 1500P-50 CH | ABC..... |
| C | C | 733 | 87-012-280-080 | CAP, U 3300P-50 | |
| C | C | 734 | 87-012-280-080 | CAP, U 3300P-50 | |
| C | C | 737 | 87-A10-592-080 | C-CAP, S 0.015-50 J B | ABC..... |
| C | C | 738 | 87-A10-592-080 | C-CAP, S 0.015-50 J B | ABC..... |
| C | C | 752 | 87-010-220-080 | C-CAP, S 0.018-25 B | .BC..... |
| C | C | 751 | 87-010-220-080 | C-CAP, S 0.018-25 B | .BC..... |
| C | C | 758 | 87-012-167-080 | C-CAP, U 5P-50 CH | ABC..... |
| C | C | 757 | 87-012-188-080 | C-CAP, U 47P-50 CH | ABC..... |
| C | C | 753 | 87-012-195-080 | C-CAP, U 100P-50CH | |
| C | C | 752 | 87-012-282-080 | CAP, U 4700P-50 | |
| C | C | 756 | 87-012-286-080 | CAP, U 0.01-25 | ABC..... |
| C | C | 751 | 87-012-365-080 | C-CAP, S 0.027-25VBK | A..... |
| C | C | 752 | 87-012-365-080 | C-CAP, S 0.027-25VBK | A..... |
| C | C | 766 | 87-010-197-080 | CAP, CHIP 0.01 DM | |
| C | C | 769 | 87-010-260-080 | CAP, ELECT 47-25V | ABC..... |
| C | C | 768 | 87-012-286-080 | CAP, U 0.01-25 | ABC..... |
| C | C | 765 | 87-012-286-080 | CAP, U 0.01-25 | ABC..... |
| C | C | 764 | 87-012-337-080 | C-CAP, U 56P-50 CH | ABC..... |
| C | C | 774 | 87-010-263-080 | CAP, ELECT 100-10V | ABC..... |
| C | C | 771 | 87-010-383-080 | CAP, ELECT 33-25V | ABC..... |
| C | C | 777 | 87-010-400-080 | CAP, ELECT 0.47-50V | ABC..... |
| C | C | 775 | 87-010-404-080 | CAP, ELECT 4.7-50V | ABC..... |
| C | C | 777 | 87-010-493-080 | CAP, E 0.47-50 GAS | |
| C | C | 770 | 87-010-829-080 | CAP, U 0.047-16 | ABC..... |
| C | C | 780 | 87-010-196-080 | CHIP CAPACITOR, 0.1-25 | ABC..... |
| C | C | 786 | 87-010-401-080 | CAP, ELECT 1-50V | ABC..... |
| C | C | 785 | 87-010-401-080 | CAP, ELECT 1-50V | ABC..... |
| C | C | 786 | 87-010-402-080 | CAP, ELECT 2.2-50V | |
| C | C | 785 | 87-010-402-080 | CAP, ELECT 2.2-50V | |
| C | C | 782 | 87-010-405-080 | CAP, ELECT 10-50V | ABC..... |
| C | C | 781 | 87-010-405-080 | CAP, ELECT 10-50V | ABC..... |
| C | C | 786 | 87-010-494-080 | CAP ELECT GAS 1/50 | |
| C | C | 785 | 87-010-494-080 | CAP ELECT GAS 1/50 | |

ELECTRICAL MAIN PARTS LIST - 2/3 (TUNER: ZZA-1)

| | | | | |
|-----|-----|----------------|---------------------------|----------|
| C | 787 | 87-012-275-080 | C-CAP,U 1200P-50 B | ABC..... |
| C | 788 | 87-012-275-080 | C-CAP,U 1200P-50 B | ABC..... |
| C | 784 | 87-012-286-080 | CAP, U 0.01-25 | ABC..... |
| C | 796 | 87-010-403-080 | CAP, ELECT 3.3-50V | ABC..... |
| C | 791 | 87-010-405-080 | CAP, ELECT 10-50V | ABC..... |
| C | 794 | 87-010-406-080 | CAP, ELECT 22-50 | ABC..... |
| C | 795 | 87-010-596-080 | CAP, S 0.047-16 | ABC..... |
| C | 793 | 87-012-273-080 | C-CAP,U 820P-50 B | ABC..... |
| C | 798 | 87-012-276-080 | CAP, CHIP SS 1500 PBK | |
| C | 797 | 87-012-276-080 | CAP, CHIP SS 1500 PBK | |
| D | 771 | 87-020-465-080 | DIODE,1SS133 (110MA) | ABC..... |
| IC | 771 | 87-A20-913-010 | IC,LA1837NL | ABC..... |
| L | 771 | 87-A50-266-010 | COIL,FM DET-2N(TOK) | ABC..... |
| L | 772 | 87-A90-052-010 | FLTR,CFMT-450A(TOK) | |
| L | 772 | 87-A90-053-010 | FLTR,PCFMT-060(TOK) | |
| L | 772 | 87-A91-110-010 | FLTR,PCFJZH-450 (TOK) | ABC..... |
| L | 781 | 87-005-847-080 | COIL,2.2UH(CECS) | |
| L | 791 | 87-A50-027-010 | COIL,1 POLE MPX(TOK) | |
| L | 792 | 87-A50-027-010 | COIL,1 POLE MPX(TOK) | |
| X | 771 | 87-030-354-010 | VIB,CF BFU 450C | |
| C | 859 | 87-012-286-080 | CAP, U 0.01-25 | |
| C | 865 | 87-010-196-080 | CHIP CAPACITOR,0.1-25 | |
| C | 864 | 87-010-405-080 | CAP, ELECT 10-50V | |
| C | 866 | 87-010-405-080 | CAP, ELECT 10-50V | |
| C | 869 | 87-012-180-080 | C-CAP,U 22P-50 CH | |
| C | 868 | 87-012-184-080 | C-CAP,U 33P-50 CH | |
| C | 861 | 87-012-199-080 | CAP 220P | |
| C | 862 | 87-012-199-080 | CAP 220P | |
| C | 863 | 87-012-270-080 | CAP, U 470P-50 | |
| C | 867 | 87-012-286-080 | CAP, U 0.01-25 | |
| IC | 851 | 87-A20-440-040 | C-IC,BU1920FS | |
| L | 851 | 87-005-847-080 | COIL,2.2UH(CECS) | |
| Q | 853 | 87-A30-076-080 | C-TR,2SC3052F | |
| X | 851 | 87-A70-091-010 | VIB,XTAL 4.332MHZ CSA-309 | |
| C | 808 | 87-012-286-080 | CAP, U 0.01-25 | ABC..... |
| C | 801 | 87-012-286-080 | CAP, U 0.01-25 | ABC..... |
| C | 809 | 87-012-286-080 | CAP, U 0.01-25 | ABC..... |
| C | 803 | 87-012-286-080 | CAP, U 0.01-25 | ABC..... |
| C | 804 | 87-012-286-080 | CAP, U 0.01-25 | ABC..... |
| C | 802 | 87-012-286-080 | CAP, U 0.01-25 | ABC..... |
| C | 807 | 87-012-286-080 | CAP, U 0.01-25 | ABC..... |
| C | 810 | 87-012-286-080 | CAP, U 0.01-25 | ABC..... |
| C | 820 | 87-010-260-080 | CAP, ELECT 47-25V | ABC..... |
| C | 894 | 87-012-286-080 | CAP, U 0.01-25 | ABC..... |
| C | 893 | 87-012-286-080 | CAP, U 0.01-25 | ABC..... |
| C | 942 | 87-012-168-080 | C-CAP,U 6P-50 CH | |
| C | 941 | 87-012-180-080 | C-CAP,U 22P-50 CH | |
| C | 944 | 87-014-051-080 | CAPACITOR (PP), 560P | |
| C | 949 | 87-A10-039-080 | C-CAP,U 470P-50 J CH | |
| C | 958 | 87-010-197-080 | CAP, CHIP 0.01 DM | |
| C | 956 | 87-010-263-080 | CAP, ELECT 100-10V | |
| C | 959 | 87-010-831-080 | C-CAP,U,0.1-16F | |
| C | 954 | 87-012-358-080 | C-CAP,S 0.47-10 F Z | |
| C | 950 | 87-014-073-080 | CAP,PP 4700P-100 J | |
| C | 963 | 87-010-196-080 | CHIP CAPACITOR,0.1-25 | ABC..... |
| C | 962 | 87-010-401-080 | CAP, ELECT 1-50V | |
| C | 961 | 87-012-174-080 | CAP CHIP CERA SS 12P CHJ | ABC..... |
| C | 960 | 87-012-350-080 | C-CAP,1-25 F | |
| CF | 802 | 82-785-747-010 | CF MS2 GHY R | |
| CF | 802 | 87-008-261-010 | FILTER, SFE10.7MA5-A | ABC..... |
| CF | 801 | 87-008-261-010 | FILTER, SFE10.7MA5-A | ABC..... |
| CF | 801 | 87-008-423-010 | CERAMIC FILTER, SFE10.7 | |
| D | 944 | 87-020-465-080 | DIODE,1SS133 (110MA) | |
| D | 942 | 87-A40-270-080 | C-DIODE,MC2838 | |
| D | 981 | 87-A40-618-080 | VARI-CAP,SVC 348 (S/T) | |
| FFE | 801 | A8-6ZA-191-130 | 6ZA-1 FEENM | |
| FFE | 801 | A8-6ZA-192-030 | 6ZA-1 FEJNM | |
| FFE | 801 | A8-6ZA-193-130 | 6ZA-1 FEVNM | .B..... |
| FFE | 801 | A8-6ZA-199-170 | 6ZA-1 FEENC | |
| FFE | 801 | A8-6ZA-19A-070 | 6ZA-1 FEJNC | |
| FFE | 801 | A8-6ZA-19D-070 | 6ZA-1 YFEJNC | |
| FFE | 801 | A8-8ZA-190-030 | 8ZA-1 FEUNM | .C..... |
| FFE | 801 | A8-8ZA-191-030 | 8ZA-1 YFEUNM | A..... |
| FFE | 801 | A8-8ZA-192-070 | 8ZA-1 FEUNC | |
| FFE | 801 | A8-8ZA-193-070 | 8ZA-1 YFEUNC | |
| J | 801 | 87-033-241-010 | TERMINAL,ANT AJ-2039 | |
| J | 801 | 87-A60-702-010 | TERMINAL,ANT 4P CJ-9036 | ABC..... |
| J | 801 | 87-A60-703-010 | TERMINAL,ANT 3P CJ-9037 | |
| J | 940 | 81-754-629-010 | CONNECTOR, 2P | |
| L | 832 | 87-005-847-080 | COIL,2.2UH(CECS) | |
| L | 942 | 87-A50-019-010 | COIL,OSC LW(COI) | |
| L | 941 | 87-A50-020-010 | COIL,ANT LW(COI) | |
| L | 941 | 87-A50-022-010 | COIL,ANT SW(COI) | |
| L | 944 | 87-A50-159-010 | COIL,10MH K C2B | |
| L | 942 | 87-A50-173-010 | COIL,OSC SW-N(COI) | |
| L | 943 | 87-A50-432-010 | COIL,1MH K CW | |
| L | 981 | 87-A50-430-010 | COIL,ANT MW(3BSW) | |

ELECTRICAL MAIN PARTS LIST - 3/3 (TUNER: ZZA-1)

| | | | | |
|----|-----|----------------|------------------------|----------|
| L | 982 | 87-A50-431-010 | COIL, OSC MW(3BSW) | |
| L | 981 | 8Z-ZA1-650-010 | COIL, AM PACK4C (TOK) | ..C..... |
| L | 981 | 8Z-ZA1-664-010 | COIL, AM PACK 4 (TOK) | AB..... |
| L | 981 | 8Z-ZA1-665-010 | COIL, AM PACK 2 (TOK) | |
| Q | 712 | 87-A30-072-080 | C-TR, RT1P 144C | ABC..... |
| Q | 805 | 89-327-143-080 | TR, 2SC2714 (0.1W) | ABC..... |
| Q | 942 | 87-A30-075-080 | C-TR, 2SA1235F | |
| Q | 943 | 87-A30-075-080 | C-TR, 2SA1235F | |
| Q | 945 | 87-A30-076-080 | C-TR, 2SC3052F | |
| Q | 944 | 87-A30-076-080 | C-TR, 2SC3052F | |
| Q | 949 | 87-A30-076-080 | C-TR, 2SC3052F | |
| Q | 948 | 87-A30-086-070 | C-TR, CSD1306E | |
| Q | 947 | 89-503-602-080 | C-FET, 2SK360E | |
| Q | 947 | 89-505-434-540 | C-FET, 2SK543 (4/5) | |
| Q | 951 | 87-A30-074-080 | C-TR, RT1P 141C | |
| TC | 942 | 87-011-164-010 | CAPACITOR, TRIMMER 30P | |
| TC | 941 | 87-011-220-080 | TRIMMER CAP 20P VTC | |
| TC | 943 | 87-011-221-080 | CAP, TRIMMER 30P | |

MECHANICAL PARTS LIST - 1/2

NOTE: The characters in the suffix column indicate the part usage.

| HC | REF.NO | PARTS NO. | DESCRIPTION | SUFFIX |
|----|--------|----------------|------------------------------|--------|
| XX | | | | A |
| | | | KANRI | |
| | | | NO. | |
| | | 8A-CL9-003-210 | CABI,FR SI-MB | |
| | | 8A-CL9-004-210 | CABI,FR SI-MS R | |
| | | 8A-CL9-027-010 | CABI, TOP U | |
| | | 8A-CL9-033-010 | PANEL, TRAY SG A | |
| | | 8A-CLK-002-210 | CABI,FR MB-MS | |
| | | 8A-CLK-011-010 | PANEL, REAR SC | |
| | | 8A-CLK-012-010 | PANEL, REAR USC | |
| | | 8A-CLK-013-010 | PANEL, REAR KSC | |
| | | 8A-CLK-014-010 | PANEL, REAR HSSC | |
| | | 8A-CLK-015-110 | PANEL, REAR EZ121 | |
| | | 8A-CLK-016-110 | PANEL, REAR EZ100 | |
| | | 8A-CLK-017-010 | PANEL, REAR HCSC1C | A |
| | | 8A-CLK-026-010 | CABI, TOP MB | |
| | | 8A-CLK-030-010 | PANEL, TRAY SB A | A |
| | | 8A-CLK-032-010 | PANEL, TRAY BL A | |
| | | 8A-CLK-035-010 | PANEL, TRAY MB A | |
| | | 8A-CLK-046-010 | BOX, CASS U | A |
| | | 8A-CLK-047-010 | BOX, CASS M100B | |
| | | 8A-CLK-048-010 | BOX, CASS EZ121 | |
| | | 8A-CLK-049-010 | BOX, CASS EZ100 | |
| * | | 8A-CL9-001-210 | CABI,FR SI-MS | A |
| * | | 8A-CL9-026-010 | CABI, TOP | A |
| * | | 8A-CLK-001-210 | CABI,FR SI-MS S | |
| | | 8A-CL9-062-010 | KEY, POWER | A |
| | | 8A-CL9-063-010 | KEY, FUNC ASSY | A |
| | | 8A-CL9-065-010 | KEY, OPEN | A |
| | | 8A-CL9-066-010 | KEY, CONTROL | A |
| | | 8A-CL9-067-010 | KEY, Q-SOUND | A |
| | | 8A-CL9-068-010 | KEY, JOGMODE | A |
| | | 8A-CL9-069-010 | KEY, DEMO | A |
| | | 8A-CL9-080-010 | KNOB, RTRY VOLUME | A |
| | | 8A-CLK-063-010 | KEY ASSY, FUNC S | |
| | | 8A-CL9-051-010 | WINDOW, DISPLAY U | |
| | | 8A-CL9-052-010 | WINDOW, CASS | |
| | | 8A-CL9-077-010 | RING, VOLUME | A |
| | | 8A-CL9-085-010 | REFLECTOR, LED-FUNC | A |
| | | 8A-CL9-088-110 | LENS, REMOTE-C | A |
| | | 8A-CLK-051-010 | WINDOW, DISPLAY SC | |
| | | 8A-CLK-052-010 | WINDOW, CASS SC | |
| | | 8A-CLK-053-010 | WINDOW, DISP SB | A |
| | | 8A-CLK-054-010 | WINDOW, CASS SB | A |
| | | 8A-CLK-055-010 | WINDOW, DISP SB R | |
| | | 8A-CLK-056-010 | WINDOW, DISP BL | |
| | | 8A-CLK-057-010 | WINDOW, CASS BL | |
| * | | 8A-MA6-203-010 | PLATE, FL | A |
| | | 82-NF5-229-010 | PLATE, LOCK | A |
| | | 82-ZM1-264-010 | LVR, EJECT R | A |
| | | 86-NF9-224-010 | SPR-C, LOCK | A |
| | | 87-NF4-217-110 | HLDR, LOCK 2 | A |
| | | 87-NF8-220-010 | DMPR, 150 | A |
| | | 88-CL4-215-010 | CUSH, FOOT FR | A |
| | | 88-CL4-216-010 | CUSH, FOOT REAR | A |
| | | 88-CL4-220-010 | SPR-T, CASS | A |
| | | 8A-CL9-203-010 | HLDR, CD U | A |
| * | | 8A-CL9-202-010 | HLDR, CD | |
| * | | 8A-CL9-206-010 | GUIDE, LED-FUNC | A |
| * | | 8A-CL9-211-110 | HLDR, TRANS | A |
| | | 87-067-703-010 | TAPPING SCREW, BVT2+3-10 | A |
| | | 87-067-758-010 | BVT2+3-12 W/O SLOT | |
| | | 87-571-032-410 | VIT+2-3 | A |
| | | 87-581-170-410 | UIT+4-8 | A |
| * | | 87-B10-230-010 | BVT2+3-10 W/O SLOT SILVER CR | A |
| * | | 87-B10-231-010 | QT1+3-12 SILVER CR | A |
| * | | 87-B10-250-010 | BVT2+3-12 W/O SLOT CR SILVER | A |
| | | 84-ZG1-245-210 | CAP, OPTICAL | |
| | | 87-018-101-080 | CAP, TC-U 5.6P-50 SL | |
| | | 87-018-119-080 | CAP, CER 100P-50V | A |
| | | 87-050-098-010 | AC CODE ASSY, D | |
| | | 87-067-703-010 | TAPPING SCREW, BVT2+3-10 | A |
| | | 87-099-811-010 | PLUG, ADPTR CONV(K) | |
| | | 87-A80-083-010 | AC CORD, HC BLK | A |
| | | 87-A80-149-010 | AC CORD ASSY, U BLK | |
| | | 87-A80-155-010 | AC CORD ASSY, HS TS | |
| | | 87-A80-157-010 | AC CORD ASSY, E BLK CC | |
| | | 87-A90-562-010 | F-BEAD, 9.5-17.5-28.5 BRH | |
| | | 88-905-231-110 | FF-CABLE, 5P 1.25 230MM | A |
| | | 88-906-131-110 | FF-CABLE, 6P 1.25 | A |
| | | 88-915-231-110 | FF-CABLE, 15P 1.25 230MM | A |
| | | 88-CL4-701-010 | CONN ASSY, 7P RPEH | A |
| | | 88-CL4-704-010 | FF-CABLE, 16P 1.0 | A |
| F | 101 | 87-035-454-010 | FUSE, 1.6A 250V T W/C | A |

MECHANICAL PARTS LIST - 2/2

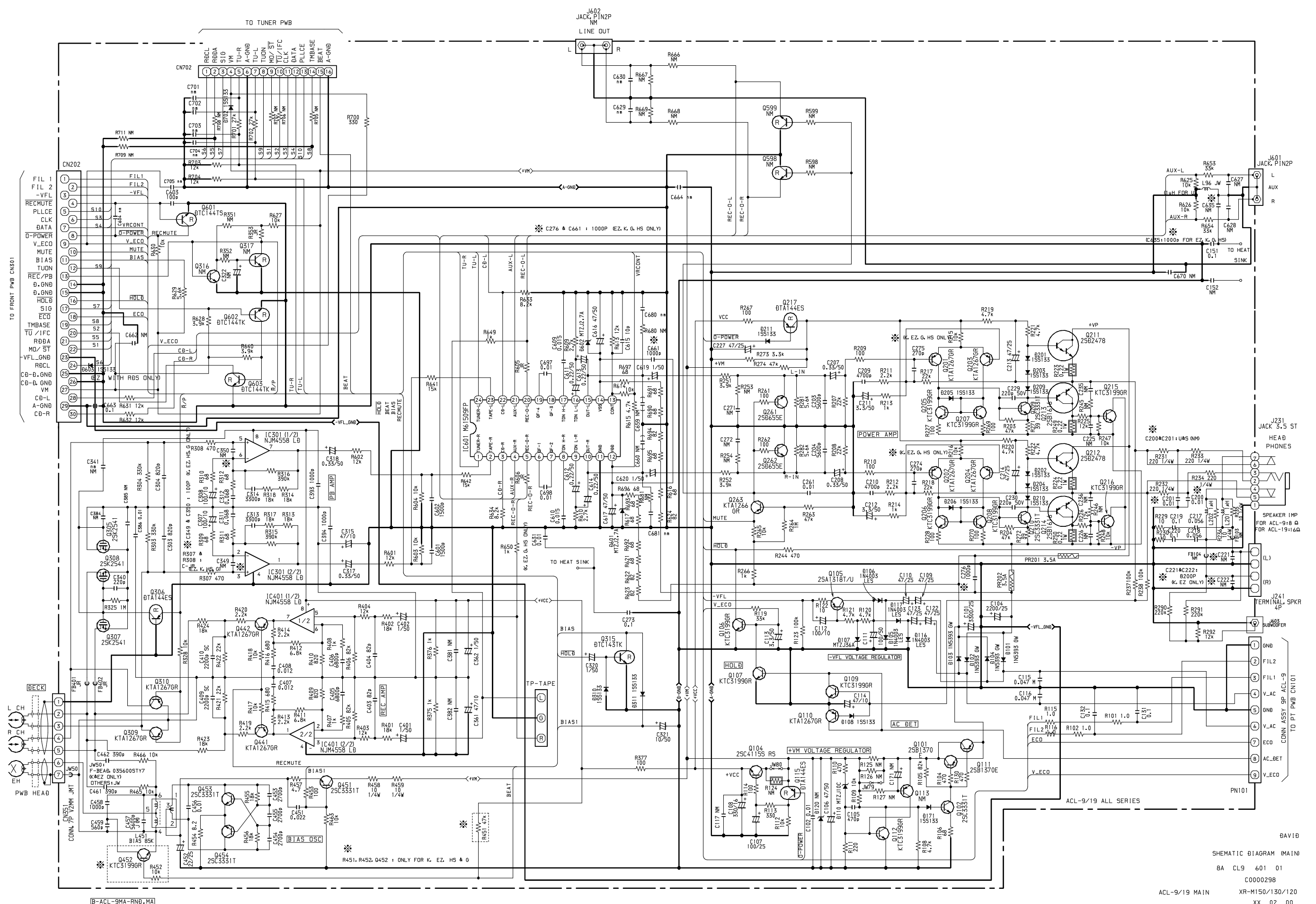
| | | | | |
|----|-----|----------------|-------------------------|--------|
| PT | 101 | 8A-CL9-641-010 | PT,D | |
| PT | 101 | 8A-CL9-642-010 | PT,U | |
| PT | 101 | 8A-CL9-643-010 | PT,EZ | |
| PT | 101 | 8A-CL9-644-010 | PT,LH | A..... |
| | | 87-067-579-010 | TAPPING SCREW, BVT2+3-8 | A..... |

ACCESSORIES / PACKAGE LIST - 1/1

NOTE: The characters in the suffix column indicate the part usage.

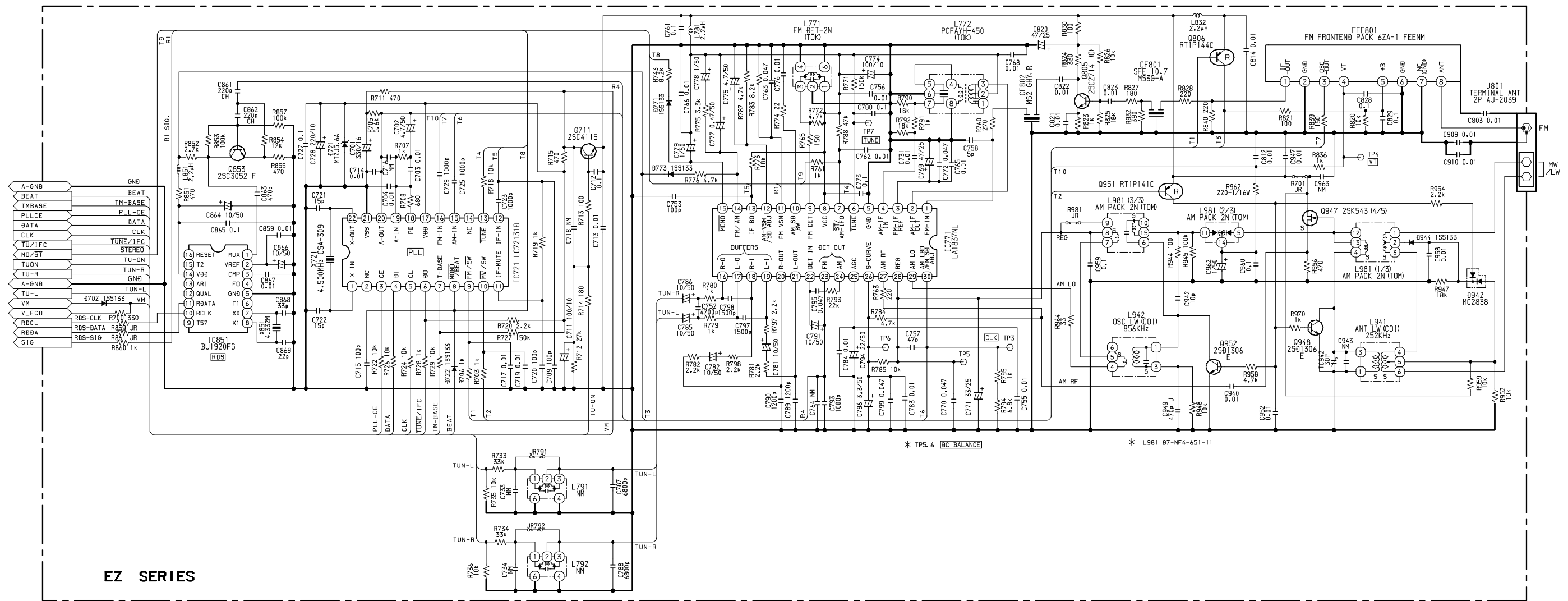
| REF.NO | PARTS NO. | NO. | DESCRIPTION | SUFFIX |
|--------|----------------|---------|-----------------------|--------|
| HC | | XX..... | | A..... |
| | | KANRI | | |
| | | NO. | | |
| | 8A-CLK-909-010 | | IB, D (J)-IN | |
| | 8A-CLK-910-010 | | IB, U (ESF)-IN | |
| | 8A-CLK-911-010 | | IB, K (E)-IN | |
| | 8A-CLK-912-010 | | IB, EZ (9L)-IN | |
| | 8A-CLK-913-010 | | IB, EZ (9L) M100-IN | |
| | 8A-CLK-917-010 | | IB, HC (CE)-FM | A..... |
| | 88-NS3-024-010 | | UT1 4*16 BZN | A..... |
| | 8A-CL9-163-010 | | SPKR, CERAMIC | A..... |
| | 8A-CL9-164-010 | | CORD, SP | A..... |
| | 8A-CL9-175-010 | | CABI, M | A..... |
| | 8A-CLK-151-010 | | PANEL, FR | A..... |
| | 8A-CLK-156-010 | | GRILLE, FRAME ASSY BL | A..... |
| | 8A-CLK-158-010 | | SPKR, 120 16OHMS | A..... |
| | 87-043-115-010 | | ANT, FEEDER FM | A..... |
| | 87-A90-030-010 | | ANT, LOOP AM-NC C | A..... |
| | 87-A90-118-010 | | ANT, WIRE FM (Z) | |
| | 8A-CLB-961-110 | | RC UNIT, RC-AAT11 | A..... |
| | 8A-CLB-962-110 | | RC UNIT, RC-AAT12 | |

SCHEMATIC DIAGRAM - 1 (MAIN)



DAVID
 SCHEMATIC DIAGRAM (MAIN)
 8A CL9 601 01
 C0000298
 ACL-9/19 MAIN XR-M150/130/120
 XX 02 00

SCHEMATIC DIAGRAM - 2 (TUNER)



EZ SERIES

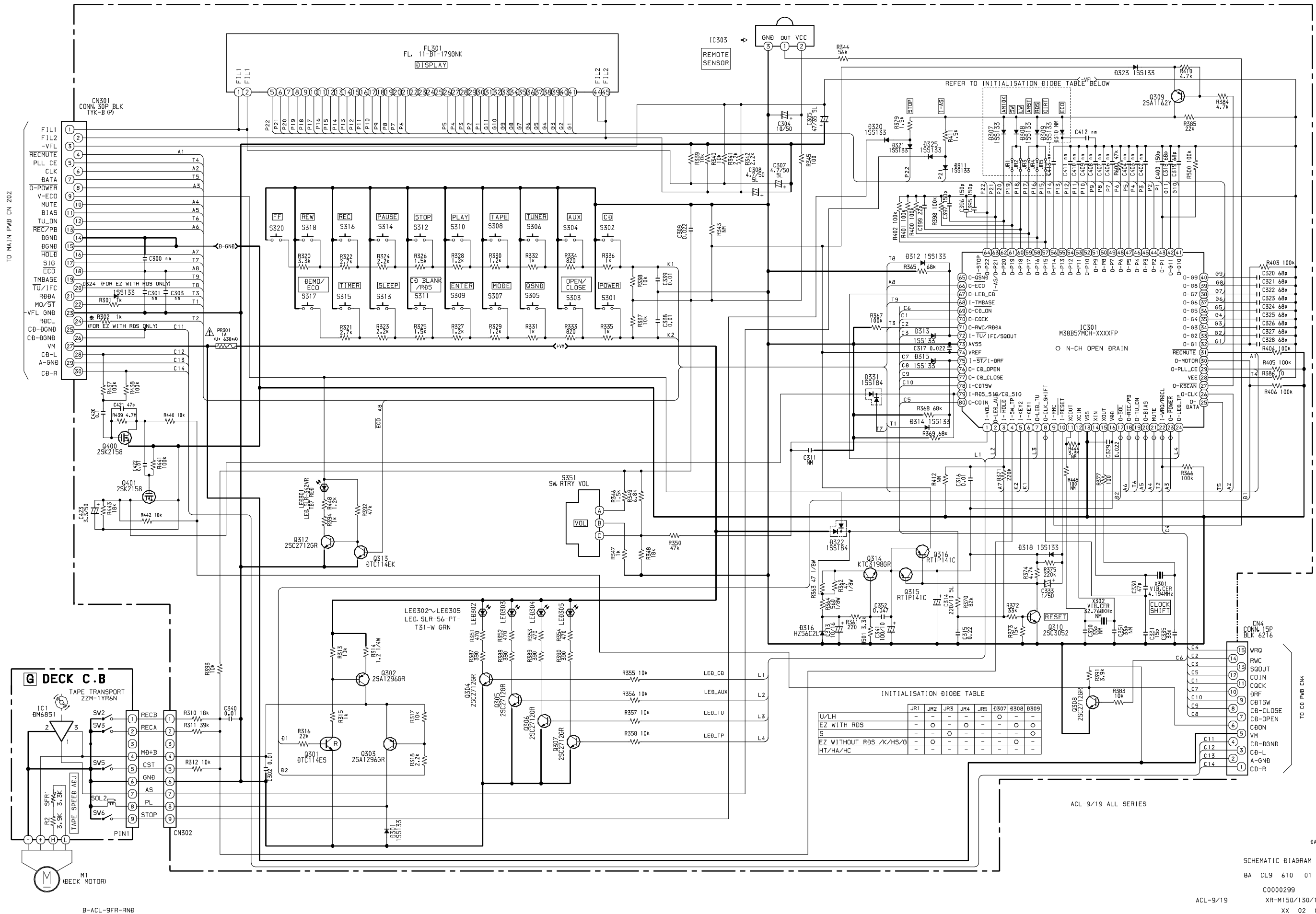
B-ACL-9TU-EZ-RND.P1

ACL-9

8AV19
TUNER, EZ

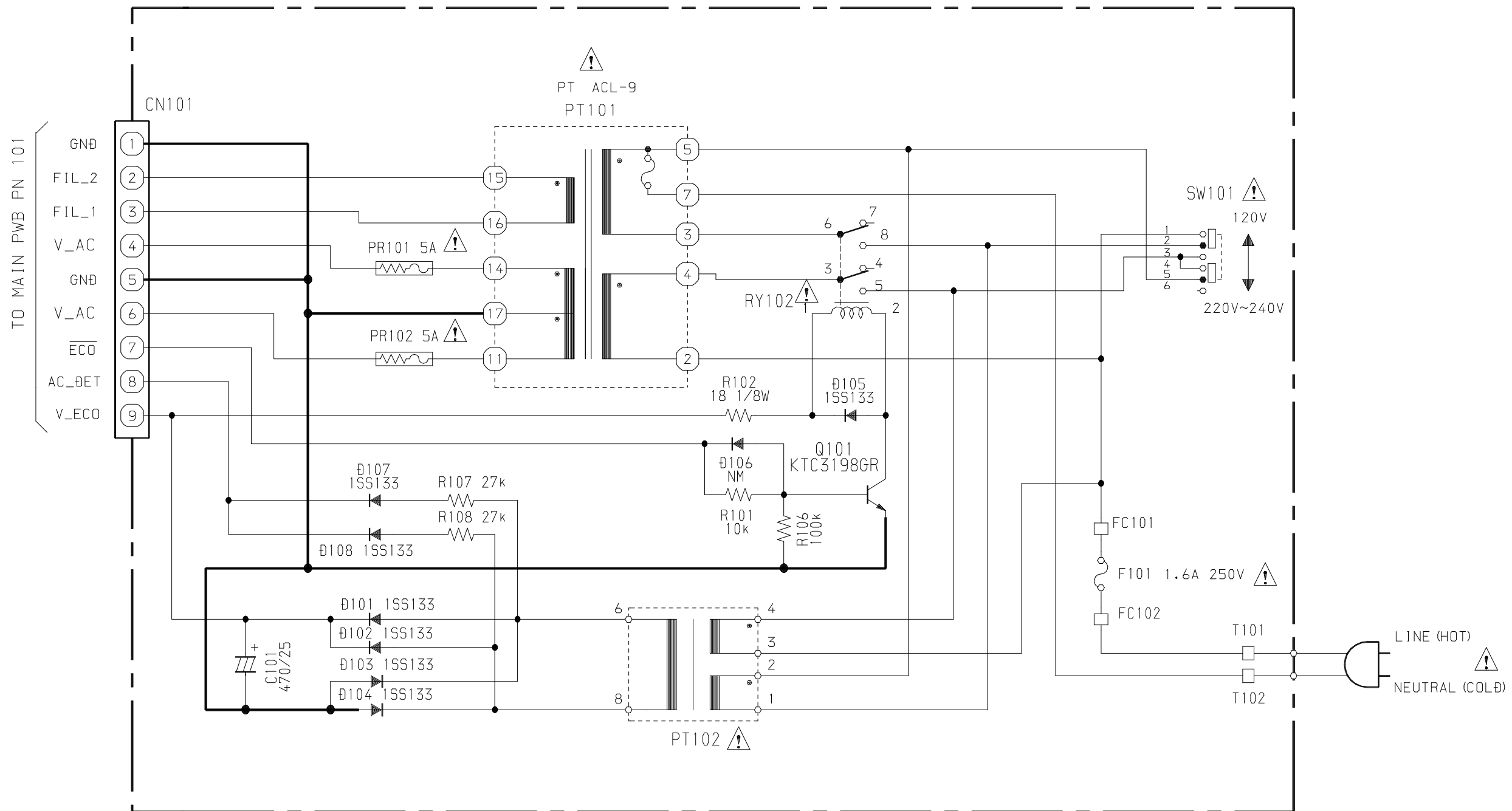
XR-M
XX 06 99

SCHEMATIC DIAGRAM - 3 (FRONT)



DAV10
 SCHEMATIC DIAGRAM (FR)
 8A CL9 610 01
 C0000299
 XR-M150/130/120
 ACL-9/19
 XX 02 00

SCHEMATIC DIAGRAM - 5 (PT: LH)



ACL-9/19 LH, HE, HC, HT & HR SERIES

DAVID

SCHEMATIC DIAG (PT)

8A CL9 607 01

C0000296

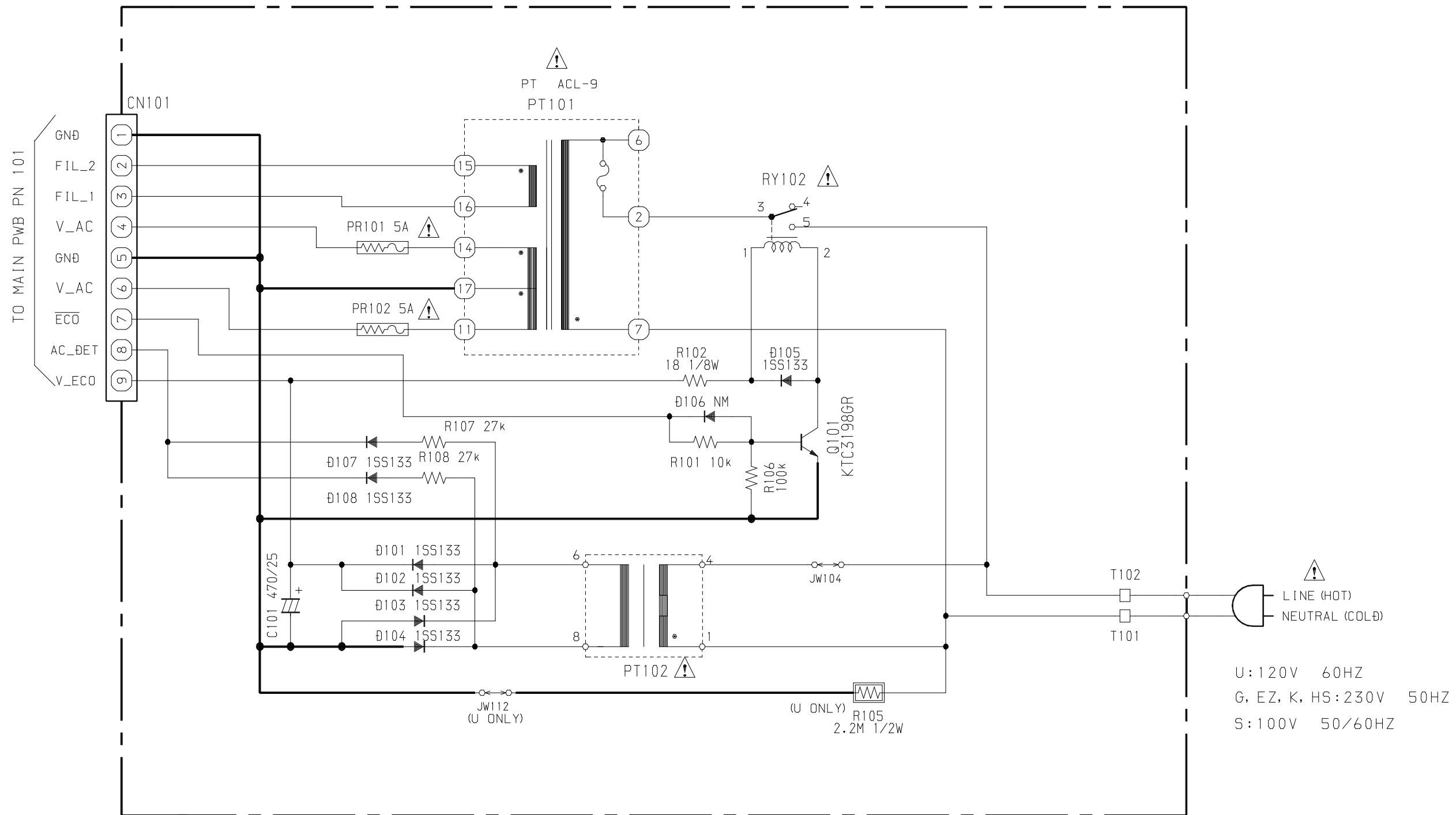
ACL-9/19

XR-M130/120

B-ACL-9PT-RNB.PT

XX 02 00

SCHEMATIC DIAGRAM - 6 (PT: U)



ACL-9/19 U, EZ, K, HS & S SERIES

DAVID

SCHEMATIC DIAG (PT)

8A CL9 605 01

C0000297

ACL-9/19

XR-M150/130/120

B-ACL-9PT-U-RND.PT

XX 02 00

アイワ株式会社 〒110-8710 東京都台東区池之端1-2-11 ☎03(3827)3111 (代表)
AIWA CO.,LTD. 2-11, IKENOHATA 1-CHOME, TAITO-KU, TOKYO 110, JAPAN TEL:03 (3827) 3111