

SERVICE MANUAL

COMPACT DISC STEREO
SYSTEM

BASIC TAPE MECHANISM : 2ZM-3MK2 PR4NM
BASIC CD MECHANISM : AZG-1 ZD3RNDM

SYSTEM	STEREO RECEIVER	CD PLAYER	CASSETTE DECK	GRAPHIC EQUALISER	SPEAKERS	REMOTE CONTROL
XR-DPH2100	MX-NDPH2100	DX-NH2000	FX-NH2000	GE-NDPH2100	SX-NDPH2100	RC-ZAS05

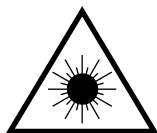
- This Service Manual is the "Revision Publishing" and replaces "Simple Manual" XR-DPH2100 (EZ,K), (S/M Code No. 09-005-431-6T1).
- If requiring information about the CD PLAYER, CASSETTE DECK and SPEAKERS, see Service Manual of XR-H2000 (EZ,K), (S/M Code No. 09-006-427-6R2).
- If requiring information about the CD mechanism, see Service Manual of AZG-1 ZD3RNDM, (S/M Code No. 09-001-335-3N8).

PROTECTION OF EYES FROM LASER BEAM DURING SERVICING

This set employs laser. Therefore, be sure to follow carefully the instructions below when servicing.

WARNING!!

WHEN SERVICING, DO NOT APPROACH THE LASER EXIT WITH THE EYE TOO CLOSELY. IN CASE IT IS NECESSARY TO CONFIRM LASER BEAM EMISSION. BE SURE TO OBSERVE FROM A DISTANCE OF MORE THAN 30cm FROM THE SURFACE OF THE OBJECTIVE LENS ON THE OPTICAL PICK-UP BLOCK.



- Caution: Invisible laser radiation when open and interlocks defeated avoid exposure to beam.
- Advarsel: Usynlig laserstråling ved åbning, når sikkerhedsafbrydere er ude af funktion. Undgå udsættelse for stråling.

VAROITUS!

Laitteen Käyttäminen muulla kuin tässä käyttöohjeessa mainitulla tavalla saattaa altistaa käyttäjän turvallisuusluokan 1 ylittävälle näkymättömälle lasersäteilylle.

WARNING!

Om apparaten används på annat sätt än vad som specificeras i denna bruksanvisning, kan användaren utsättas för osynlig laserstrålning, som överskrider gränsen för laserklass 1.

CAUTION

Use of controls or adjustments or performance of procedures other than those specified herein may result in hazardous radiation exposure.

ATTENTION

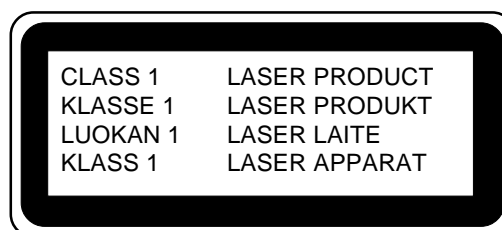
L'utilisation de commandes, réglages ou procédures autres que ceux spécifiés peut entraîner une dangereuse exposition aux radiations.

ADVARSEL

Usynlig laserstråling ved åbning, når sikkerhedsafbrydere er ude af funktion. Undgå udsættelse for stråling.

This Compact Disc player is classified as a CLASS 1 LASER product.

The CLASS 1 LASER PRODUCT label is located on the rear exterior.



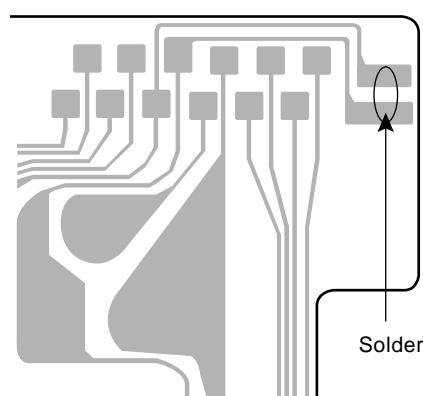
Precaution to replace Optical block

(KSS-213F)

Body or clothes electrostatic potential could ruin laser diode in the optical block. Be sure ground body and workbench, and use care the clothes do not touch the diode.

- 1) After the connection, remove solder shown in right figure.

PICK-UP Assy P.C.B



SPECIFICATIONS

<STEREO RECEIVER MX-NDPH2100>

<FM tuner section>

Tuning range	87.5 MHz to 108 MHz
Usable sensitivity (IHF)	16.8 dBf
Antenna terminals	75 ohms (unbalanced)

<MW Tuner section>

Tuning range	531 kHz to 1602 kHz (9 kHz step) 530 kHz to 1710 kHz (10 kHz step)
Usable sensitivity	350 μ V/m
Antenna	Loop antenna

<LW Tuner section>

Tuning range	144 kHz to 290 kHz
Usable sensitivity	1400 μ V/m
Antenna	Loop antenna

<Amplifier section>

Power output	Front Rated: 65 W + 65 W (1 kHz, T.H.D.1%, 6 ohms/DIN 45500) Reference: 80 W + 80 W (1 kHz, T.H.D.10%, 6 ohms/DIN 45324) EZ: DIN MUSIC POWER: 140 W + 140 W Rear (Surround) Rated: 20 W + 20 W (1 kHz, T.H.D.1%, 8 ohms/DIN 45500) Reference: 25 W + 25 W (1 kHz, T.H.D.10%, 8 ohms/DIN 45324) EZ: DIN MUSIC POWER: 47 W + 47 W Centre Rated: 20 W (1 kHz, T.H.D.1%, 8 ohms/DIN 45500) Reference: 25 W (1 kHz, T.H.D.10%, 8 ohms/DIN 45324) EZ: DIN MUSIC POWER: 47 W
Total harmonic distortion	0.1 % (8 W, 1 kHz, 6 ohms, DIN AUDIO/Front)
Inputs	VIDEO/AUX: 310 mV (adjustable) MD: 310 mV (adjustable) MIC 1, MIC 2: 1.2 mV (10 kohms)
Outputs	5.1 CH INPUT FRONT (L,R): 400 mV REAR (L,R): 400 mV CENTER: 700 mV SUB WOOFER: 400 mV LINE OUT: 175 mV SUB WOOFER: 1 V SPEAKERS: accept speakers of 6 ohms or more SURROUND SPEAKERS: accept speakers of 8 ohms to 16 ohms CENTER SPEAKER: accept speakers of 8 ohms or more PHONES (stereo jack): accepts headphones of 32 ohms or more

<General>

Power requirements	230 V AC, 50 Hz
Power consumption	160 W
Power consumption in standby mode	If the power-economizing mode is ECO OFF: 30 W If the power-economizing mode is ECO ON or ECO AUTO: 0.9 W
Dimensions of main unit (W x H x D)	284 x 122 x 337 mm
Weight of main unit	6.9 kg

<CD PLAYER DX-NH2000>

Laser	Semiconductor laser (λ =780 nm)
D-A converter	1 bit dual
Signal-to-noise ratio	85 dB (1 kHz, 0 dB)
Harmonic distortion	0.05 % (1 kHz, 0 dB)
Wow and flutter	Unmeasurable
Dimensions of main unit (W x H x D)	284 x 101 x 315 mm
Weight of main unit	2.3 kg

<CASSETTE DECK FX-NH2000>


Track format	4 tracks, 2 channels stereo
Frequency response	Type II (high/CrO ₂) tape: 50 Hz – 16000 Hz Type I (normal) tape: 50 Hz – 15000 Hz
Signal-to-noise ratio	60 dB (Dolby B NR ON, Type II tape peak level)
Recording system	AC bias, AC erase
Heads	Deck 1: Playback head x 1 Deck 2: Recording/playback head x 1, erase head x 1
Dimensions of main unit (W x H x D)	284 x 122 x 315 mm
Weight of main unit	2.0 kg

<GRAPHIC EQUALIZER GE-NDPH2100>

Dimensions of main unit (W x H x D)	284 x 101 x 328 mm
Weight	1.8 kg

<SPEAKER SYSTEM SX-NDPH2100>

Cabinet type	3 way (magnetic shielded type)
Speakers	Woofers: 140 mm cone type x 2 Tweeters: 60 mm cone type Super tweeter: 20 mm ceramic type
Impedance	6 ohms
Output sound pressure level	88 dB/W/m
Dimensions (W x H x D)	250 x 443 x 250 mm
Weight	7.0 kg

- Design and specifications are subject to change without notice.
- Manufactured under license from Dolby Laboratories Licensing Corporation.
“DOLBY” and the double-D symbol  are trademarks of Dolby Laboratories Licensing Corporation.
- The word “BBE” and the “BBE symbol” are trademarks of BBE Sound, Inc.
Under license from BBE Sound, Inc.

ACCESSORIES / PACKAGE LIST

REF. NO.	PART NO.	KANRI NO.	DESCRIPTION
1	8A-SPM-905-010		IB, K (E) M<K>
1	8A-SPM-906-010		IB, EZ (9L) M<EZ>
2	8Z-NFV-702-010		RC UNIT, ZAS05
3	87-006-225-010		AM LOOP ANT NC2
4	87-A90-118-010		ANT, WIRE FM (Z)

MODEL NO.

MX-NDPH2100

ELECTRICAL MAIN PARTS LIST

REF. NO.	PART NO.	KANRI NO.	DESCRIPTION	REF. NO.	PART NO.	KANRI NO.	DESCRIPTION
IC				MAIN C.B			
	8A-SP1-601-010		C-IC, UPD780228GF-065-3BA	C101	87-010-917-000		CAP, E 3300-50 M SMG
	87-A20-914-010		IC, SPS-442-1-F	C102	87-010-917-000		CAP, E 3300-50 M SMG
	87-A21-202-040		C-IC, M62445AFP	C103	87-016-658-000		CAP, E 4700-35 M SMG
	87-A20-804-040		C-IC, NJM2152M	C104	87-016-658-000		CAP, E 4700-35 M SMG
	87-A21-419-040		IC, NJM4558MD-TE2	C105	87-012-368-080		C-CAP, S 0.1-50 F
	87-A20-869-040		C-IC, M62449FP	C106	87-012-368-080		C-CAP, S 0.1-50 F
	87-A20-440-040		C-IC, BU1920FS	C107	87-012-368-080		C-CAP, S 0.1-50 F
	87-A21-097-040		C-IC, M62463AFP	C108	87-012-368-080		C-CAP, S 0.1-50 F
	87-A20-913-010		IC, LA1837NL	C109	87-010-196-080		CHIP CAPACITOR, 0.1-25
	87-070-127-110		IC, LC72131D	C110	87-010-196-080		CHIP CAPACITOR, 0.1-25
TRANSISTOR				C111	87-010-196-080		CHIP CAPACITOR, 0.1-25
	89-213-702-010		TR, 2SB1370 (1.8W)	C112	87-010-196-080		CHIP CAPACITOR, 0.1-25
	87-026-245-080		TR, DTC114ES	C113	87-010-247-080		CAP, ELECT 100-50V
	87-026-610-080		TR, KTC3198GR	C114	87-010-385-080		CAP, ELECT 220-25V
	87-A30-076-080		C-TR, 2SC3052F	C115	87-010-385-080		CAP, ELECT 220-25V
	87-A30-083-080		TR, CSD1489B	C116	87-010-247-080		CAP, ELECT 100-50V
	87-A30-075-080		C-TR, 2SA1235F	C117	87-010-430-080		CAP, ELECT 100-63
	87-026-609-080		TR, KTA1266GR	C118	87-010-263-080		CAP, ELECT 100-10V
	87-A30-087-080		C-FET, 2SK2158	C119	87-010-260-080		CAP, ELECT 47-25V
	87-A30-257-080		C-TR, 2SD1306E	C120	87-010-403-080		CAP, ELECT 3.3-50V
	87-A30-086-080		C-TR, CSD1306E	C121	87-010-174-080		C-CAP, S 470P-50
	87-A30-268-040		C-TR, 2SA1514K(S)	C122	87-010-403-080		CAP, ELECT 3.3-50V
	87-A30-190-080		TR, CC5551	C123	87-010-247-080		CAP, ELECT 100-50V
	87-A30-137-010		TR, 2SD2494	C124	87-010-112-080		CAP, ELECT 100-16V
	87-A30-138-010		TR, 2SB1625	C125	87-010-235-080		CAP, E 470-16 SME
	87-A30-071-080		C-TR, RT1N 144C	C130	87-A10-520-000		CAP, E 3300-35M
	87-A30-106-070		C-TR, CMBT5551	C131	87-A10-520-000		CAP, E 3300-35M
	87-A30-072-080		C-TR, RT1P 144C	C132	87-012-368-080		C-CAP, S 0.1-50 ZF
	87-A30-073-080		C-TR, RT1N 141C	C132	87-012-368-080		C-CAP, S 0.1-50 ZF
	87-A30-074-080		C-TR, RT1P 141C	C201	87-010-322-080		C-CAP, S 100P-50 CH
	87-026-263-080		C-TR, RN1410	C202	87-010-322-080		C-CAP, S 100P-50 CH
	89-112-965-080		TR, 2SA1296 GR	C209	87-010-405-080		CAP, ELECT 10-50V
	87-026-226-080		CHIP-TR, DTA143EK	C210	87-010-405-080		CAP, ELECT 10-50V
	87-A30-196-080		TR, 2SC4115SRS	C211	87-010-183-080		C-CAP, S 2700P-50 B
	87-A30-186-010		FET, 2SK3053	C212	87-010-183-080		C-CAP, S 2700P-50 B
	89-333-266-080		C-TR, 2SC3326B	C213	87-010-187-080		CAP CHIP S5600P
DIODE				C214	87-010-187-080		CAP CHIP S5600P
	87-070-274-080		DIODE, 1N4003 SEM	C215	87-010-405-080		CAP, ELECT 10-50V
	87-A40-547-090		DIODE, D5SBA20	C216	87-010-405-080		CAP, ELECT 10-50V
	87-017-447-010		DIODE, GBU4DL-6419	C217	87-010-408-080		CAP, ELECT 47-50V
	87-020-465-080		DIODE, 1SS133 (110MA)	C218	87-010-408-080		CAP, ELECT 47-50V
	87-A40-269-080		C-DIODE, MC2836	C219	87-A10-516-080		C-CAP, S 100P-200 J CH
	87-A40-270-080		C-DIODE, MC2838	C220	87-A10-516-080		C-CAP, S 100P-200 J CH
	87-A40-435-080		ZENER, MTZJ30D	C221	87-016-462-080		C-CAP, S 1-16 F
	87-A40-500-080		ZENER, MTZJ30B	C222	87-016-462-080		C-CAP, S 1-16 F
	87-A40-345-080		ZENER, MTZJ10C	C223	87-010-405-080		CAP, ELECT 10-50V
	87-A40-004-080		ZENER, MTZJ16A	C226	87-010-405-080		CAP, ELECT 10-50V
	87-070-345-080		DIODE, IN4148	C227	87-010-407-080		CAP, ELECT 33-50V
	87-A40-752-080		ZENER, UZ6.2BSC	C229	87-010-407-080		CAP, ELECT 33-50V
	87-A40-370-090		DIODE, RK46-P20	C230	87-010-408-080		CAP, ELECT 47-50V
	87-070-136-080		ZENER, MTZJ5.1B	C231	87-010-192-080		C-CAP, S 0.022-50 F
	87-A40-488-080		DIODE, 1SS244	C232	87-010-192-080		C-CAP, S 0.022-50 F
	87-A40-438-080		ZENER, MTZJ4.7A	C233	87-010-401-080		CAP, ELECT 1-50V
	87-A40-002-080		ZENER, MTZJ5.1C	C234	87-010-401-080		CAP, ELECT 1-50V
	87-017-931-080		ZENER, MTZJ5.6B	C235	87-010-196-080		CHIP CAPACITOR, 0.1-25
	87-017-148-080		ZENER, HZS6A1L	C290	87-010-188-080		CAP, CHIP 6800P
	87-A40-270-080		C-DIODE, MC2838	C301	87-010-402-080		CAP, ELECT 2.2-50V
	87-A40-442-080		ZENER, MTZJ9.1A	C302	87-010-402-080		CAP, ELECT 2.2-50V
				C303	87-010-178-080		C-CAP, S 1000P-50KB
				C304	87-010-178-080		C-CAP, S 1000P-50KB
				C305	87-010-404-080		CAP, ELECT 4.7-50V
				C306	87-010-404-080		CAP, ELECT 4.7-50V
				C307	87-010-322-080		C-CAP, S 100P-50 CH

REF. NO.	PART NO.	KANRI NO.	DESCRIPTION	REF. NO.	PART NO.	KANRI NO.	DESCRIPTION
C308	87-010-322-080		C-CAP,S 100P-50 CH	C702	87-010-402-080		CAP, ELECT 2.2-50V
C309	87-010-405-080		CAP, ELECT 10-50V	C703	87-016-669-080		C-CAP,S 0.1-25 K B
C310	87-010-405-080		CAP, ELECT 10-50V	C704	87-016-669-080		C-CAP,S 0.1-25 K B
C313	87-010-260-080		CAP, E 47-25V	C705	87-016-460-080		C-CAP,S 0.22-16 B
C314	87-010-260-080		CAP, E 47-25V	C706	87-016-460-080		C-CAP,S 0.22-16 B
C315	87-A10-596-080		C-CAP,S 100P-100 J CH	C707	87-012-365-080		C-CAP,S 0.027-25VBK
C316	87-A10-596-080		C-CAP,S 100P-100 J CH	C708	87-012-365-080		C-CAP,S 0.027-25VBK
C317	87-010-544-080		CAP, E 0.1-50V	C709	87-010-956-080		CHIP-CAP,S 0.068-25B
C318	87-010-544-080		CAP, E 0.1-50V	C710	87-010-956-080		CHIP-CAP,S 0.068-25B
C319	87-010-182-080		C-CAP,S 2200P-50 K B	C711	87-010-197-080		CAP, CHIP 0.01 DM
C321	87-012-145-080		C-CAP,S 270P-50 J CH	C712	87-010-197-080		CAP, CHIP 0.01 DM
C322	87-012-145-080		C-CAP,S 270P-50 J CH	C713	87-010-198-080		CAP, CHIP 0.022
C323	87-016-462-080		C-CAP,S 1-16 Z F	C714	87-010-198-080		CAP, CHIP 0.022
C324	87-016-462-080		C-CAP,S 1-16 Z F	C715	87-010-183-080		C-CAP,S 2700P-50 B
C351	87-010-402-080		CAP, E 2.2-50V	C716	87-010-183-080		C-CAP,S 2700P-50 B
C352	87-010-178-080		C-CAP,S 1000P	C717	87-010-188-080		CAP,CHIP 6800P
C353	87-010-404-080		CAP, E 4.7-50V	C718	87-010-188-080		CAP,CHIP 6800P
C354	87-010-322-080		C-CAP,S 100P-50 J CH	C719	87-010-178-080		CHIP CAP 1000P
C355	87-010-404-080		CAP, E 4.7-50V	C720	87-010-178-080		CHIP CAP 1000P
C357	87-010-260-080		CAP, E 47-25V	C721	87-010-182-080		C-CAP,S 2200P-50 B
C358	87-A10-596-080		C-CAP,S 100P-100 J CH	C722	87-010-182-080		C-CAP,S 2200P-50 B
C359	87-010-544-080		CAP, E 0.1-50V	C730	87-010-404-080		CAP, ELECT 4.7-50V
C360	87-012-145-080		C-CAP,S 270P-50 J CH	C731	87-010-112-080		CAP, ELECT 100-16V
C361	87-016-462-080		C-CAP,S 1-16 Z F	C735	87-010-314-080		C-CAP,S 22P-50 CH
C381	87-010-402-080		CAP, E 2.2-50V	C736	87-010-314-080		C-CAP,S 22P-50 CH
C391	87-010-260-080		CAP, E 47-25V	C737	87-010-314-080		C-CAP,S 22P-50 CH
C503	87-010-180-080		C-CER 1500P	C738	87-010-196-080		CHIP CAPACITOR,0.1-25
C504	87-010-180-080		C-CER 1500P	C900	87-010-178-080		C-CAP,S 1000P-50 B
C511	87-010-405-080		CAP, ELECT 10-50V	C901	87-010-182-080		C-CAP,S 2200P-50 B
C512	87-010-405-080		CAP, ELECT 10-50V	C902	87-010-182-080		C-CAP,S 2200P-50 B
C513	87-010-404-080		CAP, ELECT 4.7-50V	C903	87-010-196-080		CHIP CAPACITOR,0.1-25
C514	87-010-404-080		CAP, ELECT 4.7-50V	C904	87-010-196-080		CHIP CAPACITOR,0.1-25
C519	87-012-142-080		CAP, S 0.33-16	C905	87-010-196-080		CHIP CAPACITOR,0.1-25
C520	87-016-669-080		C-CAP,S 0.1-25 K B	C906	87-010-196-080		CHIP CAPACITOR,0.1-25
C521	87-016-083-080		C-CAP,S 0.15-16 RK	C907	87-010-190-080		S CHIP F 0.01
C522	87-010-183-080		C-CAP,S 2700P-50 B	C908	87-010-190-080		S CHIP F 0.01
C523	87-016-669-080		C-CAP,S 0.1-25 K B	C909	87-012-368-080		C-CAP,S 0.1-50 F
C525	87-010-404-080		CAP, ELECT 4.7-50V	C910	87-012-368-080		C-CAP,S 0.1-50 F
C526	87-010-404-080		CAP, ELECT 4.7-50V	C911	87-012-141-080		CHIP-CAPACITOR,0.22-16F
C531	87-010-405-080		CAP, ELECT 10-50V	C912	87-010-196-080		C-CAP,S 0.1-25 F
C532	87-010-263-080		CAP, ELECT 100-10V	C913	87-010-196-080		CHIP CAPACITOR,0.1-25
C533	87-010-263-080		CAP, ELECT 100-10V	C914	87-010-190-080		C-CAP,S 0.01-50 F
C534	87-010-406-080		CAP, ELECT 22-50	C915	87-010-190-080		C-CAP,S 0.01-50 F
C535	87-010-195-080		C-CAP,S 0.068-25 F	C916	87-010-190-080		C-CAP,S 0.01-50 F
C536	87-012-142-080		CAP, S 0.33-16	C917	87-010-190-080		C-CAP,S 0.01-50 F
C537	87-010-196-080		CHIP CAPACITOR,0.1-25	C918	87-012-368-080		C-CAP,S 0.1-50 F
C538	87-010-404-080		CAP, ELECT 4.7-50V	C920	87-012-157-080		C-CAP,S 330P-50 CH
C539	87-010-404-080		CAP, ELECT 4.7-50V	C921	87-012-157-080		C-CAP,S 330P-50 CH
C540	87-010-314-080		C-CAP,S 22P-50J CH	C922	87-012-157-080		C-CAP,S 330P-50 CH
C541	87-010-314-080		C-CAP,S 22P-50J CH	C923	87-012-157-080		C-CAP,S 330P-50 CH
C542	87-010-314-080		C-CAP,S 22P-50J CH	C924	87-012-157-080		C-CAP,S 330P-50 CH
C545	87-010-196-080		CHIP CAPACITOR,0.1-25	C925	87-012-157-080		C-CAP,S 330P-50 CH
C547	87-010-401-080		CAP, ELECT 1-50V	C941	87-010-196-080		CHIP CAPACITOR,0.1-25
C548	87-010-401-080		CAP, ELECT 1-50V	C942	87-010-196-080		CHIP CAPACITOR,0.1-25
C601	87-010-401-080		CAP, ELECT 1-50V	C943	87-010-196-080		CHIP CAPACITOR,0.1-25
C602	87-010-401-080		CAP, ELECT 1-50V	C944	87-010-196-080		CHIP CAPACITOR,0.1-25
C603	87-010-182-080		C-CAP,S 2200P-50 B	C945	87-010-196-080		CHIP CAPACITOR,0.1-25
C604	87-010-182-080		C-CAP,S 2200P-50 B	C946	87-010-196-080		CHIP CAPACITOR,0.1-25
C605	87-010-369-080		C-CAP,S 0.033-25 K B	C951	87-010-401-080		CAP, ELECT 1-50V
C606	87-010-369-080		C-CAP,S 0.033-25 K B	C952	87-010-260-080		CAP, ELECT 47-25V
C607	87-010-405-080		CAP, ELECT 10-50V	C953	87-010-380-080		CAP, ELECT 47-16V
C608	87-010-405-080		CAP, ELECT 10-50V	CN101	84-NF1-650-010		CONN ASSY,3P (5-M)
C609	87-010-374-080		CAP, ELECT 47-10V	CN121	87-049-919-010		CONN,3P EH V WHT
C610	87-010-374-080		CAP, ELECT 47-10V	CN123	87-049-469-010		CONN,4P V
C611	87-010-405-080		CAP, ELECT 10-50V	CN124	8Z-SPM-620-010		CONN ASSY,3P
C612	87-010-112-080		CAP, ELECT 100-16V	CN313	87-049-919-010		CONN,3P V WHT EH
C613	87-010-173-080		C-CAP,S 390P-50 SL	CN601	87-099-196-010		CONN,8P 6216 V
C614	87-010-173-080		C-CAP,S 390P-50 SL	CN611	87-099-194-010		CONN,6P BLK 6216
C668	87-010-190-080		S CHIP F 0.01	CN621	87-A60-063-010		CONN,04P V 9604S-04C
C701	87-010-402-080		CAP, ELECT 2.2-50V	CN901	87-099-719-010		CONN,30P TYK-B(X)

REF. NO.	PART NO.	KANRI NO.	DESCRIPTION	REF. NO.	PART NO.	KANRI NO.	DESCRIPTION
CN902	87-009-877-010		CONN,9P FG	C222	87-010-401-040		CAP,E 1-50 SME
CN903	87-009-063-010		CONNECTOR 11P	C223	87-010-196-080		C-CAP,S 0.1-25 ZF
CN906	87-A60-058-010		CONN,10P V 9604S-10C	C224	87-010-196-080		C-CAP,S 0.1-25 ZF
CN907	87-A60-056-010		CONN,12P V 9604S-12C	C241	87-010-178-080		CHIP CAP 1000P
CN951	87-A60-109-010		CONN,2P V S2M-2W	C242	87-010-316-080		C-CAP,S 33P-50 CH
FB501	87-003-223-010		FERRITE BEAD BLO2RN2	C243	87-010-313-080		CAP, CHIP 18P
FB503	87-008-372-080		FILTER, EMI BLO1 RN1	C244	87-010-316-080		C-CAP,S 33P-50 CH
FB504	87-008-372-080		FILTER, EMI BLO1 RN1	C247	87-016-669-080		C-CAP,S 0.1-25 K B
FB901	87-008-372-080		FILTER, EMI BLO1 RN1	C248	87-010-192-080		C-CAP,S 0.022-50 F
FB902	87-008-372-080		FILTER, EMI BLO1 RN1	C251	87-010-197-080		CAP, CHIP 0.01 DM
FB903	87-008-372-080		FILTER, EMI BLO1 RN1	C252	87-010-197-080		CAP, CHIP 0.01 DM
FFC621	88-904-151-110		FF-CABLE,4P 1.25 150MM	C253	87-A10-189-040		CAP,E 220-10
J901	87-A60-483-010		JACK,DIA6.3 BLK ST W/S KM	C254	87-010-197-080		CAP, CHIP 0.01 DM
J902	87-A60-617-010		TERMINAL,SP 4P (MSC)	C255	87-018-134-080		CAPACITOR,TC-U 0.01-16
J903	87-A60-652-010		JACK,PIN 4P ORN/BLK	C301	87-010-404-040		CAP,E 4.7-50 SME
J904	87-A60-684-010		JACK,PIN 6P OR/BLK/RED	C302	87-010-404-040		CAP,E 4.7-50 SME
J905	87-A60-658-010		JACK,PIN 6P WHITE/RED	C340	87-010-175-080		CAP 560P
JW179	87-008-372-080		FILTER, EMI BL OIRNI	C341	87-010-175-080		CAP 560P
L601	87-005-372-080		COIL S 1MHM	C342	87-010-175-080		CAP 560P
L602	87-005-372-080		COIL S 1MHM	C343	87-010-175-080		CAP 560P
L901	87-A50-610-010		COIL,1UHK	C344	87-010-175-080		CAP 560P
L902	87-A50-610-010		COIL,1UHK	C345	87-010-175-080		CAP 560P
L911	87-A50-610-010		COIL,1UHK	C346	87-010-175-080		CAP 560P
L912	87-A50-610-010		COIL,1UHK	C347	87-010-175-080		CAP 560P
L913	87-A50-610-010		COIL,1UHK	C348	87-010-175-080		CAP 560P
△ PR201	87-002-330-080		ICP-N5	C349	87-010-175-080		CAP 560P
PIN611	87-099-570-010		CONN,13P V TUC-P13P-131	C601	87-010-405-040		CAP,E 10-50
△ PIN612	87-099-568-010		CONN,11P V TUC-P11P-131	C602	87-010-176-080		C-CAP,S 680P-50 SL
JW940	87-A90-246-080		PROTECTOR,0.25A 60V	C603	87-010-186-080		CAP,CHIP 4700P
R237	87-A00-262-080		RES,M/F 0.15-2W J	C604	87-010-166-080		C-CAP,S 100P-50 SL
R238	87-A00-262-080		RES,M/F 0.15-2W J	C605	87-010-321-080		CHIP CAPACITOR,82P(J)
R239	87-A00-262-080		RES,M/F 0.15-2W J	C606	87-010-490-040		CAP, ELECT 0.1-50
R240	87-A00-262-080		RES,M/F 0.15-2W J	C608	87-010-166-080		C-CAP,S 100P-50 SL
R331	87-022-050-080		RES,M/F 0.22-1W J	C609	87-010-545-040		CAP,E 0.22-50 SME
R332	87-022-050-080		RES,M/F 0.22-1W J	C610	87-010-177-080		C-CAP,S 820P-50 SL
R333	87-022-050-080		RES,M/F 0.22-1W J	C611	87-010-981-040		CAP,E 22-35 5L SRE
R334	87-022-050-080		RES,M/F 0.22-1W J	C614	87-010-248-040		CAP,E 220-10 SME
R366	87-022-050-080		RES,M/F 0.22-1W J	C615	87-010-498-040		CAP,E 10-16 5L
R367	87-022-050-080		RES,M/F 0.22-1W J	C619	87-016-526-080		C-CAP,S 0.47-16 BK
R909	87-A00-440-050		RES,220-1/2W J RP	CN101	87-099-720-010		CONN,30P TYK-B(P)
R910	87-A00-440-050		RES,220-1/2W J RP	CN601	87-099-199-010		CONN,6P 6216 H
R911	87-A00-440-050		RES,220-1/2W J RP	FB101	87-008-372-080		FILTER, EMI BL OIRNI
R912	87-A00-440-050		RES,220-1/2W J RP	FB601	87-008-372-080		FILTER, EMI BL OIRNI
R913	87-A00-527-080		RES,10-1/4W J NAT	FB999	87-008-372-080		FILTER, EMI BL OIRNI
R914	87-A00-527-080		RES,10-1/4W J NAT	FL301	8Z-SP1-617-010		FL,10-BT-218GNK
R915	87-A00-527-080		RES,10-1/4W J NAT	J601	87-A60-651-010		JACK,3.5MONO
R916	87-A00-527-080		RES,10-1/4W J NAT	J602	87-A60-651-010		JACK,3.5MONO
TH201	87-A91-081-080		C-THMS,100K-K 20P	L101	87-005-130-080		COIL,10UH
TH202	87-A91-081-080		C-THMS,100K-K 20P	L201	87-003-152-080		COIL, 100UH
W101	8Z-SP1-627-010		F-CABLE,7P 2.5 280MM	LED201	87-A40-589-040		LED,SLR-56VCT31 RED
W601	88-906-301-110		FF-CABLE,6P 1.25 300MM	LED301	87-A40-619-040		LED,SLR-56PT-T31-W GRN
W906	88-910-071-110		FF-CABLE,10P 1.25 70MM	LED302	87-A40-619-040		LED,SLR-56PT-T31-W GRN
W907	88-912-121-110		FF-CABLE,12P 1.25 120	LED303	87-A40-619-040		LED,SLR-56PT-T31-W GRN
WH102	87-A90-460-010		HLDR,WIRE 2.5-7P	LED304	87-A40-619-040		LED,SLR-56PT-T31-W GRN
				LED305	87-A40-619-040		LED,SLR-56PT-T31-W GRN
FRONT C.B				LED306	87-A40-606-040		LED,SLR-332VC
C101	87-010-196-080		CHIP CAPACITOR,0.1-25	LED307	87-A40-606-040		LED,SLR-332VC
C201	87-010-192-080		C-CAP,S 0.022-50 F	LED308	87-A40-606-040		LED,SLR-332VC
C202	87-010-498-040		CAP,E 10-16 5L	LED309	87-A40-606-040		LED,SLR-332VC
C203	87-016-081-080		C-CAP,S 0.1-16 RK	LED310	87-A40-606-040		LED,SLR-332VC
C204	87-010-981-040		CAP,E 22-35 5L SRE	S301	87-A90-095-080		SW,TACT EVQ11G04M
C205	87-010-194-080		CAP, CHIP 0.047	S302	87-A90-095-080		SW,TACT EVQ11G04M
C206	87-010-405-040		CAP,E 10-50	S303	87-A90-095-080		SW,TACT EVQ11G04M
C207	87-010-194-080		CAP, CHIP 0.047	S304	87-A90-095-080		SW,TACT EVQ11G04M
C208	87-A10-189-040		CAP,E 220-10	S305	87-A90-095-080		SW,TACT EVQ11G04M
C209	87-010-071-040		CAP,E 1-50 M 5L SRE	S306	87-A90-095-080		SW,TACT EVQ11G04M
C211	87-012-140-080		CAP 470P	S307	87-A90-095-080		SW,TACT EVQ11G04M
C220	87-016-669-080		C-CAP,S 0.1-25 K B	S308	87-A90-095-080		SW,TACT EVQ11G04M
C221	87-016-669-080		C-CAP,S 0.1-25 K B	S309	87-A90-095-080		SW,TACT EVQ11G04M
				S310	87-A90-095-080		SW,TACT EVQ11G04M

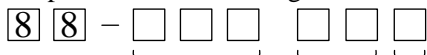
REF. NO.	PART NO.	KANRI NO.	DESCRIPTION	REF. NO.	PART NO.	KANRI NO.	DESCRIPTION
S311	87-A90-095-080	SW, TACT	EVQ11G04M	C797	87-012-276-080		C-CAP, U 1500P-50 KB
S312	87-A90-095-080	SW, TACT	EVQ11G04M	C798	87-012-276-080		C-CAP, U 1500P-50 KB
S313	87-A90-095-080	SW, TACT	EVQ11G04M	C799	87-010-829-080		CAP, U 0.047-16
S314	87-A90-095-080	SW, TACT	EVQ11G04M	C800	87-010-383-080		CAP, ELECT 33-25V
S315	87-A90-095-080	SW, TACT	EVQ11G04M	C812	87-012-286-080		CAP, U 0.01-25
S316	87-A90-095-080	SW, TACT	EVQ11G04M	C814	87-012-286-080		CAP, U 0.01-25
S317	87-A90-095-080	SW, TACT	EVQ11G04M	C818	87-010-196-080		CHIP CAPACITOR, 0.1-25
S318	87-A90-095-080	SW, TACT	EVQ11G04M	C820	87-010-260-080		CAP, ELECT 47-25V
SW201	87-A91-342-010	SW, RTRY	EC16B24104W/O D L20	C821	87-012-286-080		CAP, U 0.01-25
X201	87-A70-075-080	VIB, CER	4.19MHZ CRHF	C822	87-012-286-080		CAP, U 0.01-25
TUNER C.B				C823	87-012-286-080		CAP, U 0.01-25
C701	87-010-260-080	CAP, ELECT	47-25V	C828	87-010-196-080		CHIP CAPACITOR, 0.1-25
C702	87-010-404-080	CAP, ELECT	4.7-50V	C829	87-010-196-080		CHIP CAPACITOR, 0.1-25
C703	87-012-286-080	CAP, U	0.01-25	C859	87-012-286-080		C-CAP, U 0.01-25 KB
C704	87-012-286-080	CAP, U	0.01-25	C861	87-012-199-080		C-CAP, U 220P-50 J CH
C709	87-012-195-080	C-CAP, U	100P-50CH	C862	87-012-199-080		C-CAP, U 220P-50 J CH
C711	87-010-263-080	CAP, ELECT	100-10V	C863	87-012-270-080		C-CAP, U 470P-50 KB
C712	87-010-196-080	C-CAP, S	0.1-25 ZF	C864	87-010-405-080		CAP, E 10-50 M 11L SME
C713	87-012-286-080	CAP, U	0.01-25	C865	87-010-196-080		C-CAP, S 0.1-25 ZF
C714	87-012-286-080	CAP, U	0.01-25	C866	87-010-405-080		CAP, E 10-50 M 11L SME
C715	87-012-195-080	C-CAP, U	100P-50CH	C867	87-012-286-080		C-CAP, U 0.01-25 KB
C717	87-012-286-080	CAP, U	0.01-25	C868	87-012-184-080		C-CAP, U 33P-50 J CH
C719	87-012-286-080	CAP, U	0.01-25	C869	87-012-180-080		C-CAP, U 22P-50 J CH
C720	87-012-195-080	C-CAP, U	100P-50CH	C940	87-012-286-080		C-CAP, U 0.01-25 KB
C721	87-012-176-080	CAP, 15P		C942	87-012-172-080		C-CAP, U 10P-50 D CH
C722	87-012-176-080	CAP, 15P		C947	87-012-286-080		C-CAP, U 0.01-25 KB
C723	87-012-274-080	CHIP CAP, U	1000P-50B	C949	87-A10-039-080		C-CAP, U 470P-50 J CH
C725	87-012-274-080	CHIP CAP, U	1000P-50B	C952	87-012-286-080		C-CAP, U 0.01-25 KB
C727	87-010-196-080	CHIP CAPACITOR,	0.1-25	C958	87-012-186-080		C-CAP, S 0.01-25 KB
C728	87-010-248-080	CAP, ELECT	220-10V	C959	87-010-196-080		CHIP CAPACITOR, 0.1-25
C753	87-012-195-080	C-CAP, U	100P-50 J CH	C960	87-010-196-080		CHIP CAPACITOR, 0.1-25
C755	87-012-286-080	CAP, U	0.01-25	C962	87-010-401-080		CAP, E 1-50 M 11L SME
C756	87-012-286-080	CAP, U	0.01-25	CF801	87-008-423-010		FLTR, CF SFE10.7MS3G-A
C757	87-012-188-080	C-CAP, U	47P-50 CH	CF802	82-785-747-010		CF, MS2 GHY R
C758	87-012-167-080	C-CAP, U	5P-50 CH	CN601	87-099-029-010		CONN, 12P H BLK 6216
C761	87-010-196-080	C-CAP, S	0.1-25 ZF	CN602	87-099-211-010		CONN, 4P V BLK 6216
C762	87-012-286-080	CAP, U	0.01-25	FFC601	88-912-161-110		FF-CABLE, 12P 1.25 160
C763	87-010-829-080	CAP, U	0.047-16	FFC602	88-904-181-110		FF-CABLE, 4P 1.25
C765	87-012-286-080	CAP, U	0.01-25	FFE801	A8-6ZA-191-130		6ZA-1 FEENM
C766	87-012-286-080	CAP, U	0.01-25	J802	87-033-241-010		TERMINAL, ANT 2P AJ-2039
C768	87-012-286-080	CAP, U	0.01-25	L771	87-A50-266-010		COIL, FM DET-2N(TOK)
C769	87-010-260-080	CAP, ELECT	47-25V	L772	87-A90-733-010		FLTR, PCFAZH-450(TOK)
C770	87-010-829-080	CAP, U	0.047-16	L781	87-005-847-080		COIL, 2.2UH K CECS
C771	87-010-383-080	CAP, ELECT	33-25V	L791	87-A50-027-010		COIL, 1 POLE MPX(TOK)
C772	87-010-829-080	CAP, U	0.047-16	L792	87-A50-027-010		COIL, 1 POLE MPX(TOK)
C773	87-015-785-080	C-CAP, 0.1-25	ZF	L832	87-005-847-080		COIL, 2.2UH K CECS
C774	87-010-263-080	CAP, ELECT	100-10V	L941	87-A50-020-010		COIL, ANT LW(COI) 252KHZ
C775	87-010-404-080	CAP, ELECT	4.7-50V	L942	87-A50-019-010		COIL, OSC LW(COI) 856KHZ
C776	87-012-286-080	CAP, U	0.01-25	L981	87-NF4-651-110		COIL, AM PACK 2N(TOM)
C777	87-010-400-080	CAP, E	0.47-50 M 11L SME	TC942	87-A91-658-010		TRIMMER, 30P 4.0X4.5 ECRL
C778	87-010-401-080	CAP, ELECT	1-50V	X721	87-A70-061-010		VIB, XTAL 4.500MHZ CSA-309
C779	87-010-401-080	CAP, ELECT	1-50V	X851	87-A70-091-010		VIB, XTAL 4.332MHZ CSA-309
C780	87-010-196-080	CHIP CAPACITOR,	0.1-25	CONN 10P C.B			
C781	87-010-405-080	CAP, ELECT	10-50V	C190	87-010-196-080		CHIP CAPACITOR, 0.1-25
C782	87-010-405-080	CAP, ELECT	10-50V	CN904	87-A60-575-010		CONN, 10P H 52303
C783	87-012-286-080	CAP, U	0.01-25	CN905	87-099-198-010		CONN, 10P 6216 V
C784	87-012-286-080	CAP, U	0.01-25	AC 1 C.B			
C785	87-010-805-080	C-CAP, S	1-6 ZF	△ PT101	88-SP1-604-010		PT, EZ
C786	87-010-805-080	C-CAP, S	1-6 ZF	AC 2 C.B			
C787	87-012-280-080	C-CAP, U	3300P-50 B	△ PR101	87-A90-195-080		PROTECTOR 7A 125V 49
C788	87-012-280-080	C-CAP, U	3300P-50 B	△ PR102	87-A90-195-080		PROTECTOR 7A 125V 49
C789	87-012-275-080	C-CAP, U	1200P-50 B	△ PR103	87-026-682-080		PROTECTOR, 10A 60V491
C790	87-012-275-080	C-CAP, U	1200P-50 B	△ PR104	87-026-682-080		PROTECTOR, 10A 60V491
C791	87-010-405-080	CAP, ELECT	10-50V	△ PR105	87-026-681-080		PROTECTOR, 5A 60V491
C793	87-012-274-080	C-CAP, U	1000P-50 B				
C794	87-010-406-080	CAP, ELECT	22-50				
C795	87-010-829-080	CAP, U	0.047-16 ZF				
C796	87-010-403-080	CAP, ELECT	3.3-50V				

REF. NO.	PART NO.	KANRI NO.	DESCRIPTION	REF. NO.	PART NO.	KANRI NO.	DESCRIPTION
△ PR106	87-026-681-080		PROTECTOR,5A 60V491	C829	87-015-691-080		CAP, ELECT 0.1-50V
WH101	87-A90-460-010		HLD, WIRE 2.5-7P	C830	87-015-693-080		CAP, ELECT 0.33-50V
				C831	87-010-971-080		C-CAP,S 4700P-50 B J
				C832	87-012-349-080		C-CAP,S 1000P-50 CH
				C837	87-010-971-080		C-CAP,S 4700P-50 B J
SUB TRANS C.B							
△ C138	87-010-387-080		CAP,E 470-25 SME	C838	87-012-349-080		C-CAP,S 1000P-50 CH
△ C140	87-A10-480-090		CAP,CER 4700P-250 M E KH	C839	87-015-695-080		CAP, ELECT 1-50V
△ CN102	8Z-SP1-619-110		CONN ASSY,4P	C840	87-015-695-080		CAP, ELECT 1-50V
△ PT102	8A-NF8-662-010		PT,SUB ANF-8 (E)	C841	87-A10-799-080		C-CAP,S 5600P-16 J B CM
△ RY102	87-A90-976-010		RELAY,AC DC12V SDT-S-112LMR	C842	87-A10-802-080		C-CAP,S 0.047-16 J B CM
△ T101	87-A60-317-010		TERMINAL, 1P MSC	C843	87-A10-229-080		C-CAP,S 0.68-10 K W5
△ T102	87-A60-317-010		TERMINAL, 1P MSC	C844	87-012-393-080		C-CAP,S 0.22-16 R K
				C845	87-012-393-080		C-CAP,S 0.22-16 R K
				C846	87-015-688-080		CAP, ELECT 4.7-35V
				C847	87-015-688-080		CAP, ELECT 4.7-35V
ECO C.B							
				C848	87-012-393-080		C-CAP,S 0.22-16 R K
				C849	87-012-393-080		C-CAP,S 0.22-16 R K
				C850	87-016-081-080		C-CAP,S 0.1-16 RK
				C851	87-A10-802-080		C-CAP,S 0.047-16 J B CM
				C852	87-A10-802-080		C-CAP,S 0.047-16 J B CM
VM C.B							
C138	87-016-143-080		CAP,E 3.3-50M SME	C853	87-016-081-080		C-CAP,S 0.1-16 RK
				C854	87-016-081-080		C-CAP,S 0.1-16 RK
				C855	87-A10-801-080		C-CAP,S 0.022-16 J B CM
				C856	87-A10-801-080		C-CAP,S 0.022-16 J B CM
				C857	87-016-081-080		C-CAP,S 0.1-16 RK
PROLOGIC C.B							
C801	87-010-176-080		C-CAP,S 680P-50 SL	C861	87-010-196-080		CHIP CAPACITOR,0.1-25
C802	87-010-176-080		C-CAP,S 680P-50 SL	C863	87-010-263-080		CAP, ELECT 100-10V
C803	87-010-958-080		CHIP -CAP,S 0.01-25BJ	C865	87-016-460-080		C-CAP,S 0.22-16 B
C804	87-010-958-080		CHIP -CAP,S 0.01-25BJ	C866	87-010-194-080		CAP, CHIP 0.047
C805	87-010-958-080		CHIP -CAP,S 0.01-25BJ	C867	87-A10-201-080		C-CAP,S 0.33-16 KB
C806	87-010-958-080		CHIP -CAP,S 0.01-25BJ	C868	87-A10-060-080		C-CAP,S 0.18-16 K B
C807	87-015-695-080		CAP, ELECT 1-50V	C878	87-010-401-080		CAP, ELECT 1-50V
C808	87-015-695-080		CAP, ELECT 1-50V	C879	87-010-178-080		CAP,CHIP S 1000P
C809	87-010-196-080		CHIP CAPACITOR,0.1-25	C880	87-010-178-080		CAP,CHIP S 1000P
C810	87-010-060-080		CAP, ELECT 100-16V	C881	87-010-177-080		CAP,CHIP S 820P
C811	87-015-696-080		CAP, ELECT 2.2-50V	C882	87-010-177-080		CAP,CHIP S 820P
C812	87-015-696-080		CAP, ELECT 2.2-50V	C890	87-012-358-080		C-CAP,S 0.47-10 F Z
C813	87-015-695-080		CAP, ELECT 1-50V	C891	87-015-695-080		CAP, ELECT 1-50V
C814	87-015-695-080		CAP, ELECT 1-50V	C892	87-015-695-080		CAP, ELECT 1-50V
C815	87-015-693-080		CAP, ELECT 0.33-50V	C893	87-015-695-080		CAP, ELECT 1-50V
C816	87-015-693-080		CAP, ELECT 0.33-50V	C894	87-010-263-080		CAP, ELECT 100-10V
C817	87-010-221-080		CAP, ELECT 470-10V	C895	87-010-195-080		C-CAP,S 0.068-25 F
C818	87-A11-985-080		CAP,E 4.7-35 K	C896	87-010-112-080		CAP, ELECT 100-16
C819	87-A10-800-080		C-CAP,S 6800P-16 J B CM	CN401	87-099-559-010		CONN,13P TUC-P13X-B1
C820	87-015-680-080		CAP, ELECT 47-10V	CN402	87-099-557-010		CONN,11P TUC-P11X-B1
C821	87-010-196-080		CHIP CAPACITOR,0.1-25				
C822	87-A10-804-080		C-CAP,S 0.1-25 J B				
C823	87-A10-800-080		C-CAP,S 6800P-16 J B CM				
C824	87-015-680-080		CAP, ELECT 47-10V				
C825	87-010-196-080		CHIP CAPACITOR,0.1-25				

○チップ抵抗部品コード/CHIP RESISTOR PART CODE

チップ抵抗部品コードの成り立ち

Chip Resistor Part Coding



A
抵抗部品コード
Resistor Code

桁表示
Figure
抵抗値
Value of resistor

チップ抵抗
Chip resistor

容量 Wattage	種類 Type	許容誤差 Tolerance	記号 Symbol	寸法/Dimensions (mm)			抵抗コード : A Resistor Code : A	
				外形/Form	L	W		t
1/16W	1005	± 5%	CJ		1.0	0.5	0.35	104
1/16W	1608	± 5%	CJ		1.6	0.8	0.45	108
1/10W	2125	± 5%	CJ		2	1.25	0.45	118
1/8W	3216	± 5%	CJ		3.2	1.6	0.55	128

TRANSISTOR ILLUSTRATION (MX-NDPH2100)



E C B

KTA1266GR
KTC3198GR



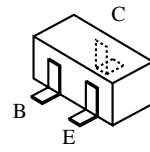
E C B

CC5551
CSD1489B



B C E

2SB1370
2SB1625
2SD2494



2SA1235 DTA143EK
2SA1514 RN1410
2SC3052 RT1N141C
2SC3326B RT1N144C
2SD1306E RT1P141C
CMBT5551 RT1P144C
CSD1306E



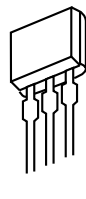
B C E

2SA1296



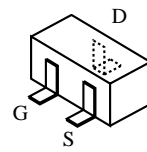
G D S

2SK3053

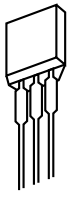


B C E

2SC4115S



2SK2158

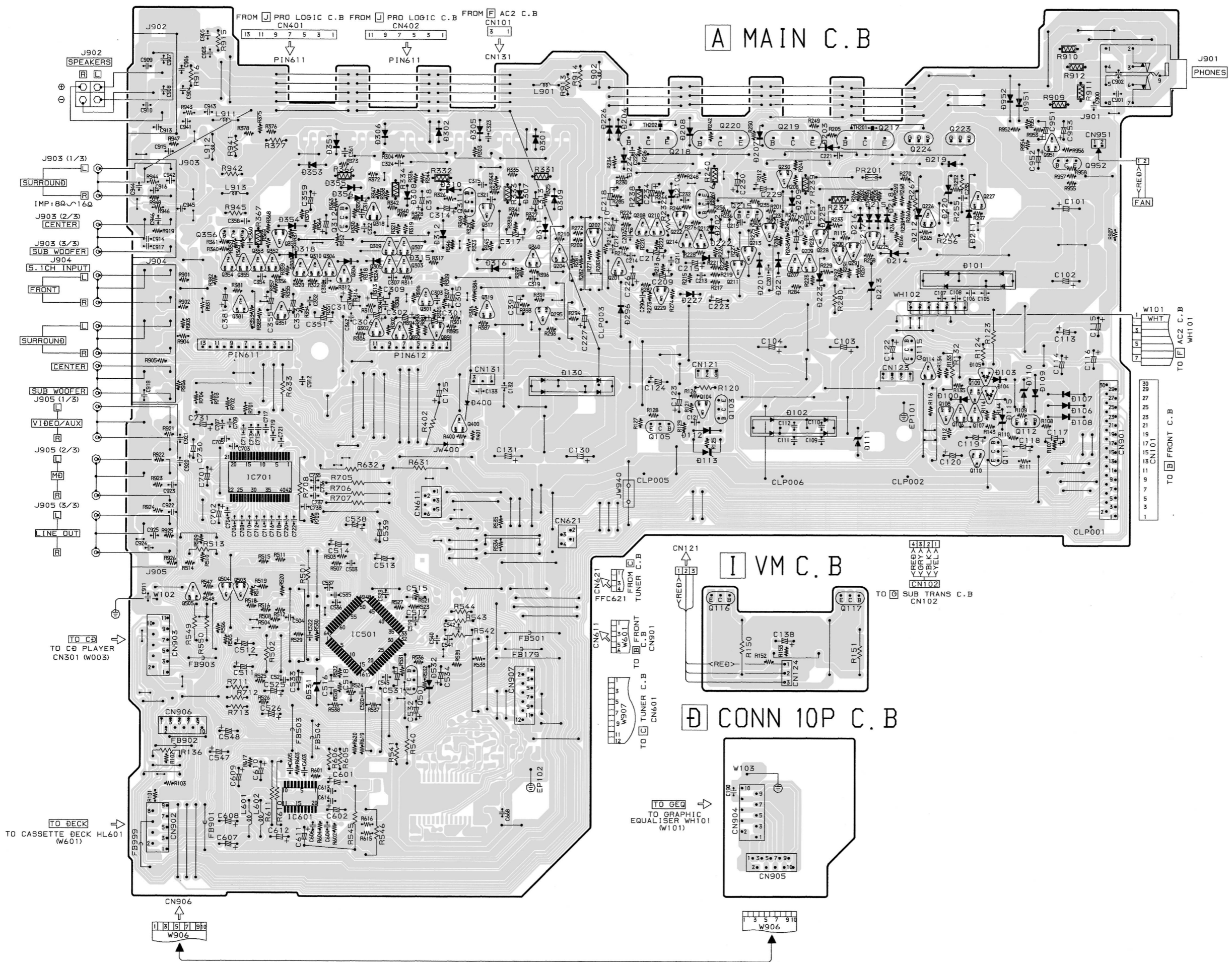


E C B

DTC114ES

32 | 31 | 30 | 29 | 28 | 27 | 26 | 25 | 24 | 23 | 22 | 21 | 20 | 19 | 18 | 17 | 16 | 15 | 14 | 13 | 12 | 11 | 10 | 9 | 8 | 7 | 6 | 5 | 4 | 3 | 2 | 1

A
B
C
D
E
F
G
H
I
J
K
L
M
N
O
P
Q
R
S
T
U



WIRING - 2 (FRONT : MX-NDPH2100)

32 31 30 29 28 27 26 25 24 23 22 21 20 19 18 17 16 15 14 13 12 11 10 9 8 7 6 5 4 3 2 1

A
B
C
D
E
F
G
H
I
J
K
L
M
N
O
P
Q
R
S
T
U

FROM [A] MAIN C.B
CN611
W611
TO CN601

[B] FRONT C.B

LED310, LED305
S305
MD

LED309, LED304
S304
CD

LED308, LED303
S303
VIDEO/AUX/5.1CH

FL301
(DISPLAY)

LED307, LED302
S302
TUNER BAND

LED306, LED301
S301
TAPE DECK 1/2

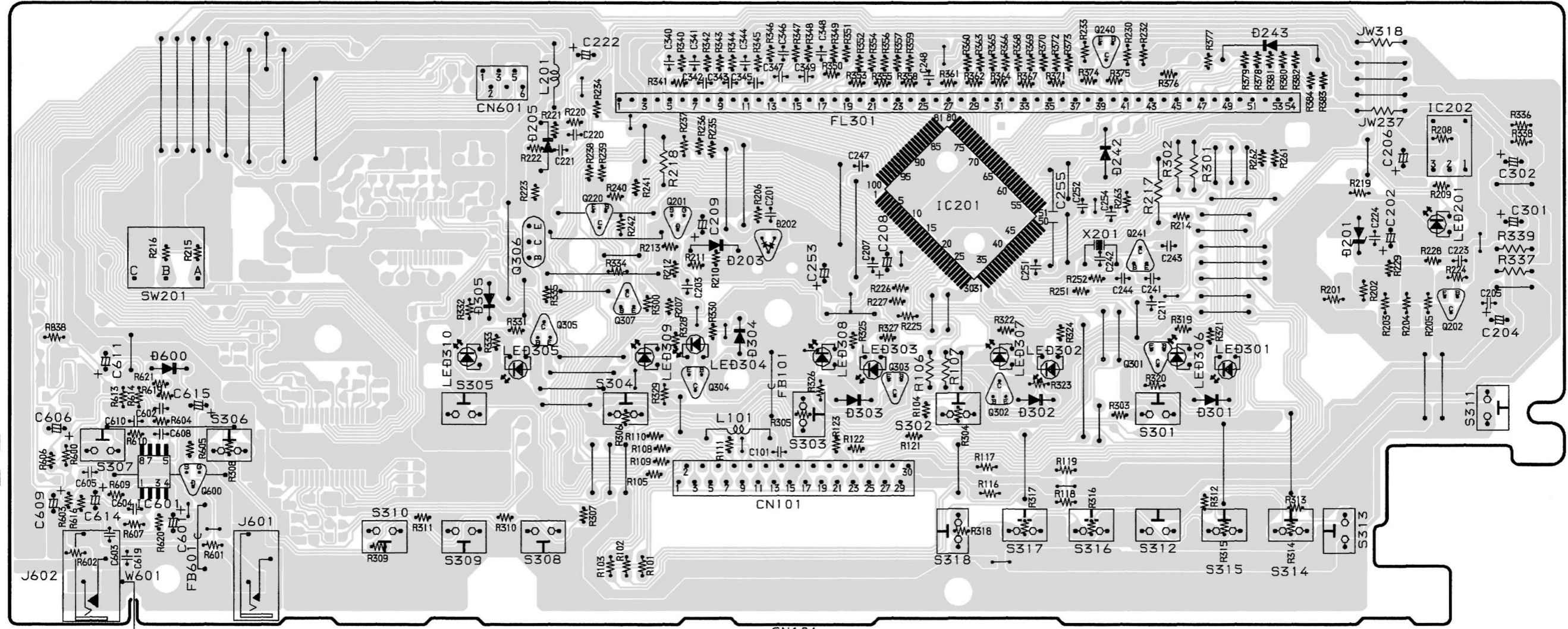
SW201
VOLUME

S307
BBE
S306
TBASS

IC202
(REMOTE
SENSOR)

LED201
ECO

S311
POWER



1 3 5 7 9 11 13 15 17 19 21 23 25 27 29 30
FROM [A] MAIN C.B CN901

S318 [AG] S317 [PTY] S316 [RT] S312 [UP] S315 [DOWN] S314 [SET] S313 [TUNING/PRESET]

WIRING - 3 (TUNER : MX-NDPH2100)

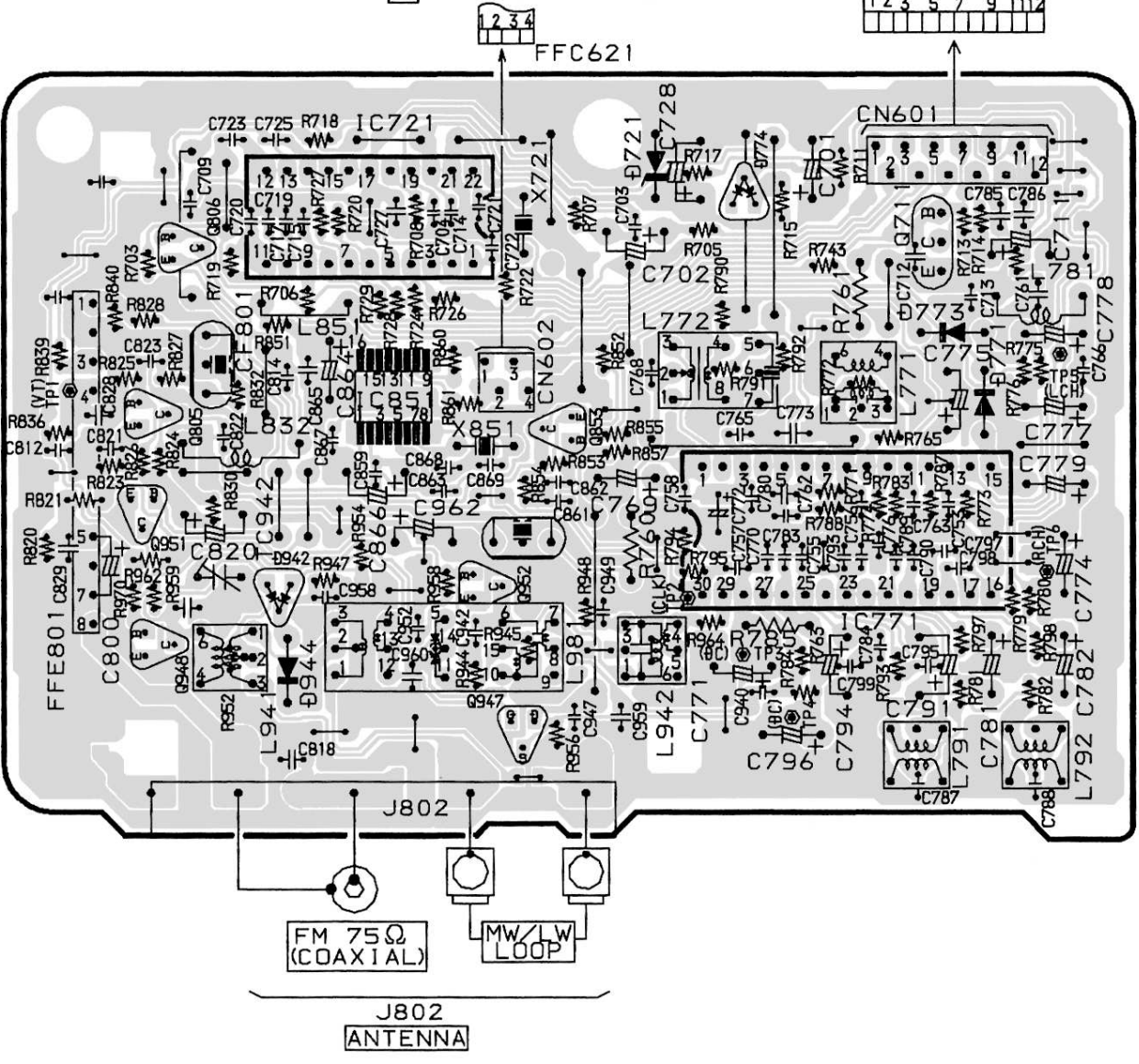
15	14	13	12	11	10	9	8	7	6	5	4	3	2	1
----	----	----	----	----	----	---	---	---	---	---	---	---	---	---

A
B
C
D
E
F
G
H
I
J
K
L
M
N
O
P
Q
R
S
T
U

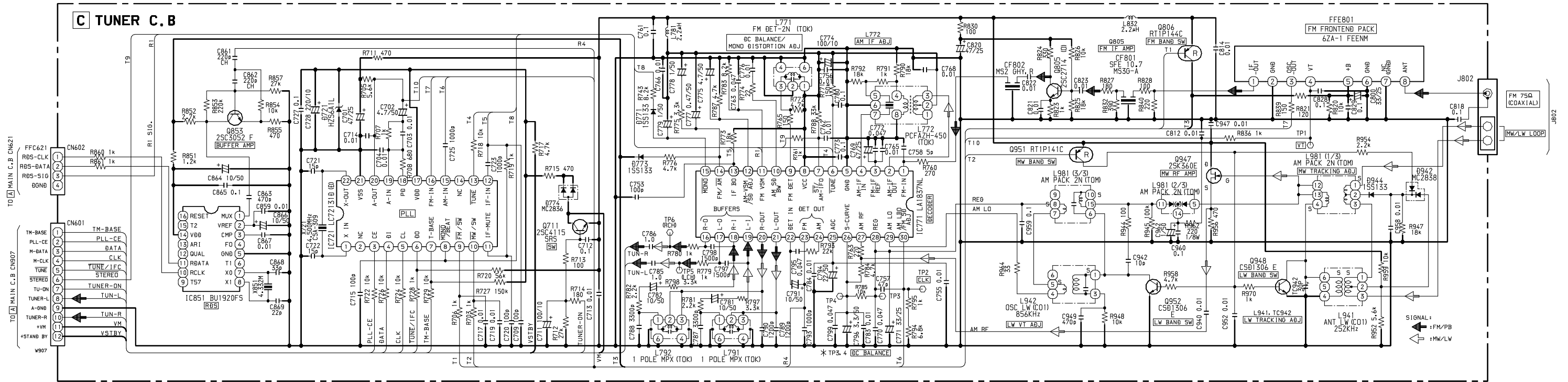
C TUNER C.B

TO A MAIN C.B CN621

FROM A MAIN C.B CN601



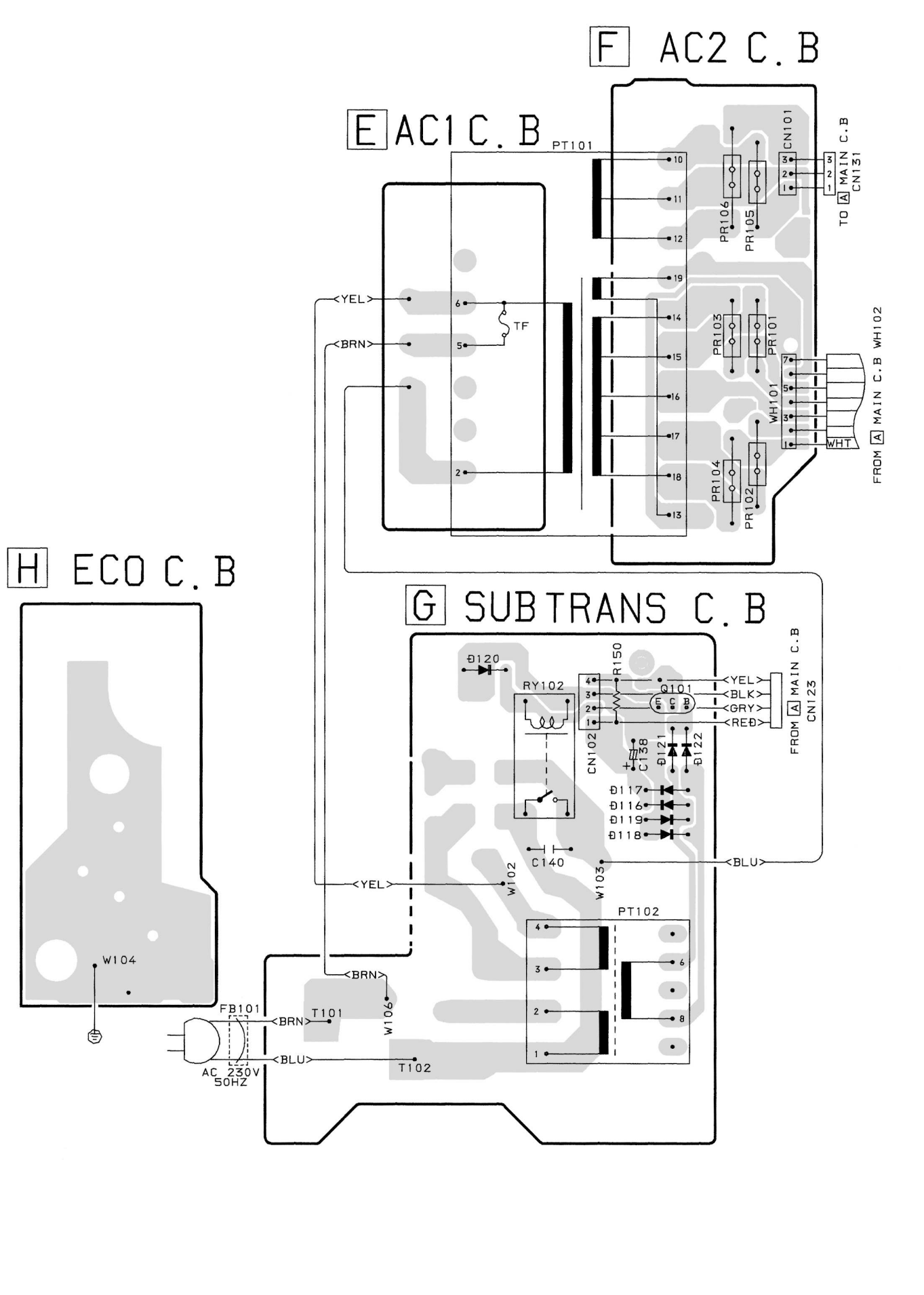
SCHEMATIC DIAGRAM - 3 (TUNER : MX-NDPH2100)



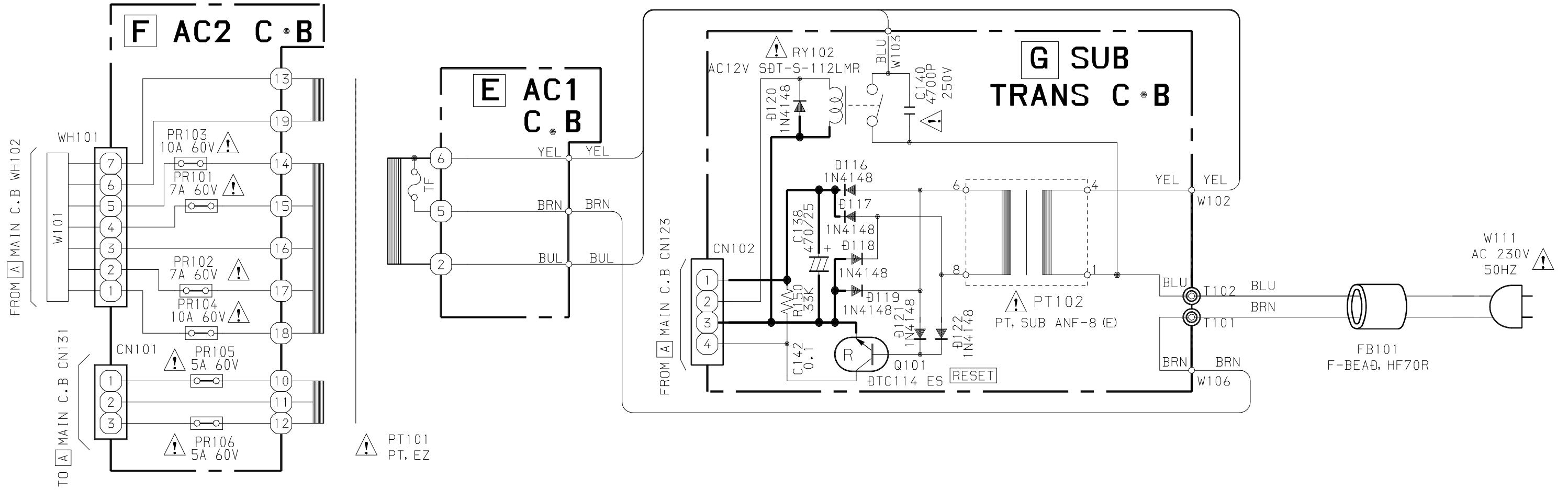
WIRING - 4 (AC1 / SUB TRANS / AC2 / ECO : MX-NDPH2100)

15	14	13	12	11	10	9	8	7	6	5	4	3	2	1
----	----	----	----	----	----	---	---	---	---	---	---	---	---	---

A
B
C
D
E
F
G
H
I
J
K
L
M
N
O
P
Q
R
S
T
U



SCHEMATIC DIAGRAM - 4 (AC1 / SUB TRANS / AC2 : MX-NDPH2100)



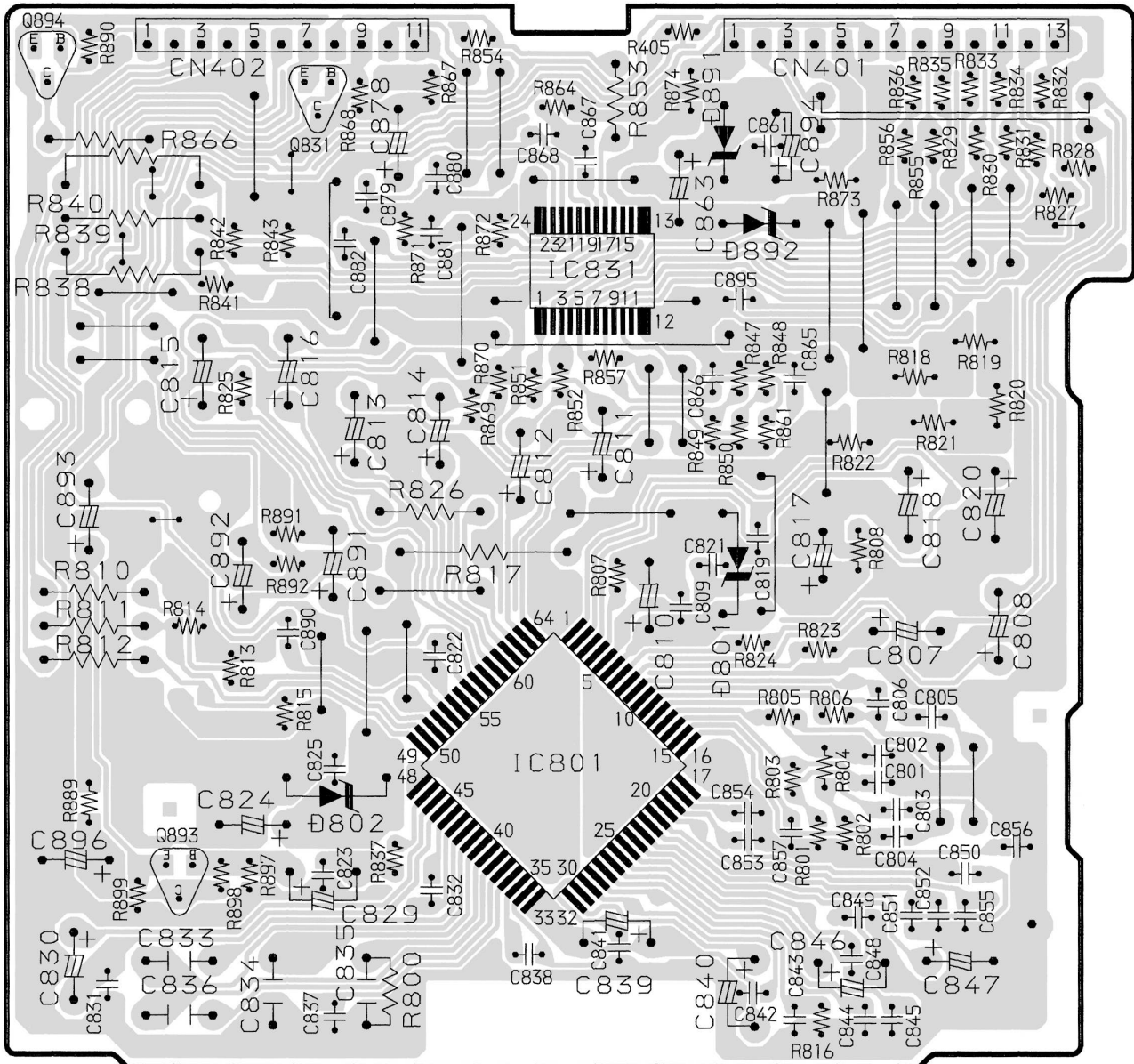
15	14	13	12	11	10	9	8	7	6	5	4	3	2	1
----	----	----	----	----	----	---	---	---	---	---	---	---	---	---

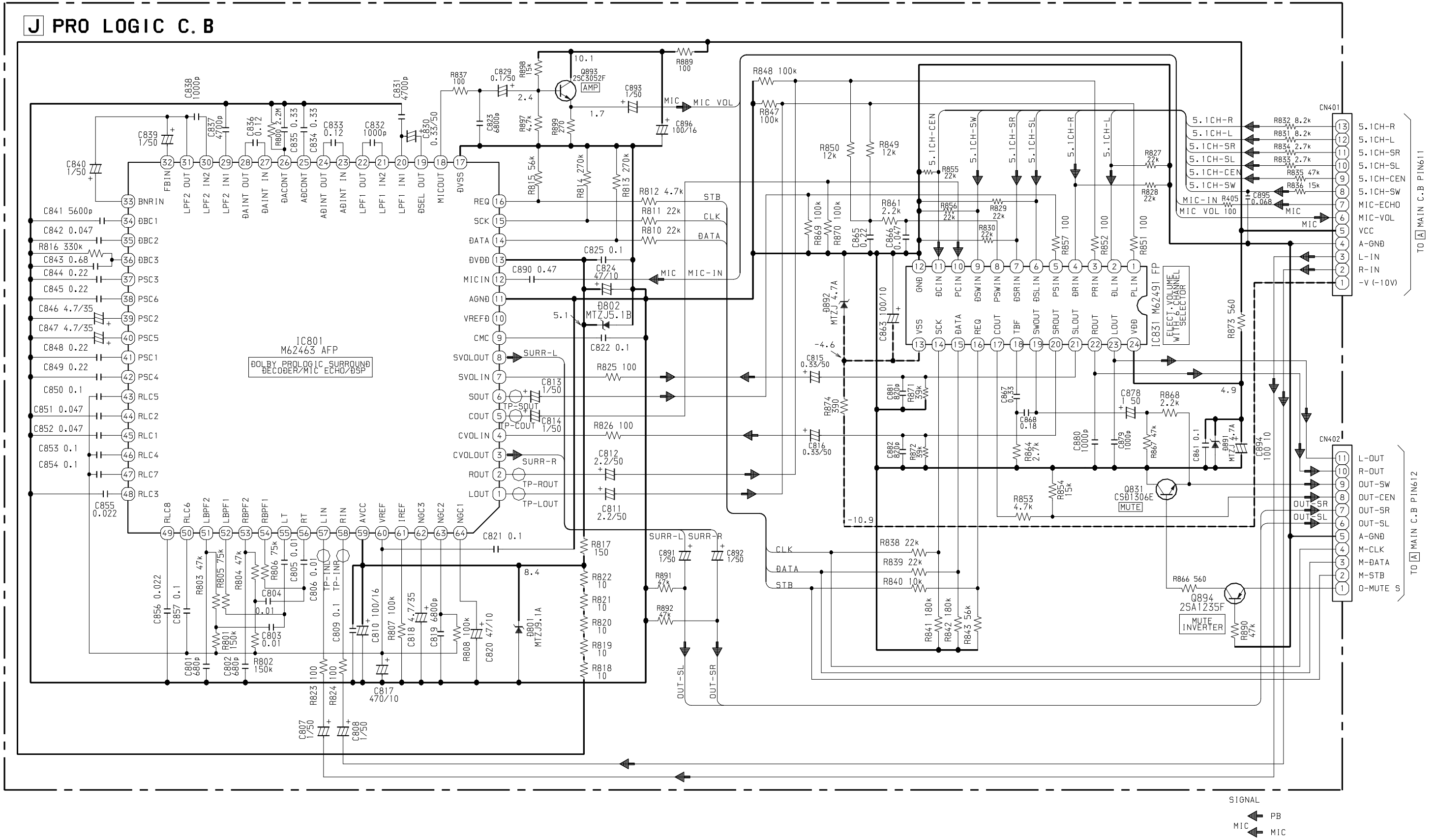
A
B
C
D
E
F
G
H
I
J
K
L
M
N
O
P
Q
R
S
T
U

J PRO LOGIC C.B

TO [A] MAIN C.B
PIN612

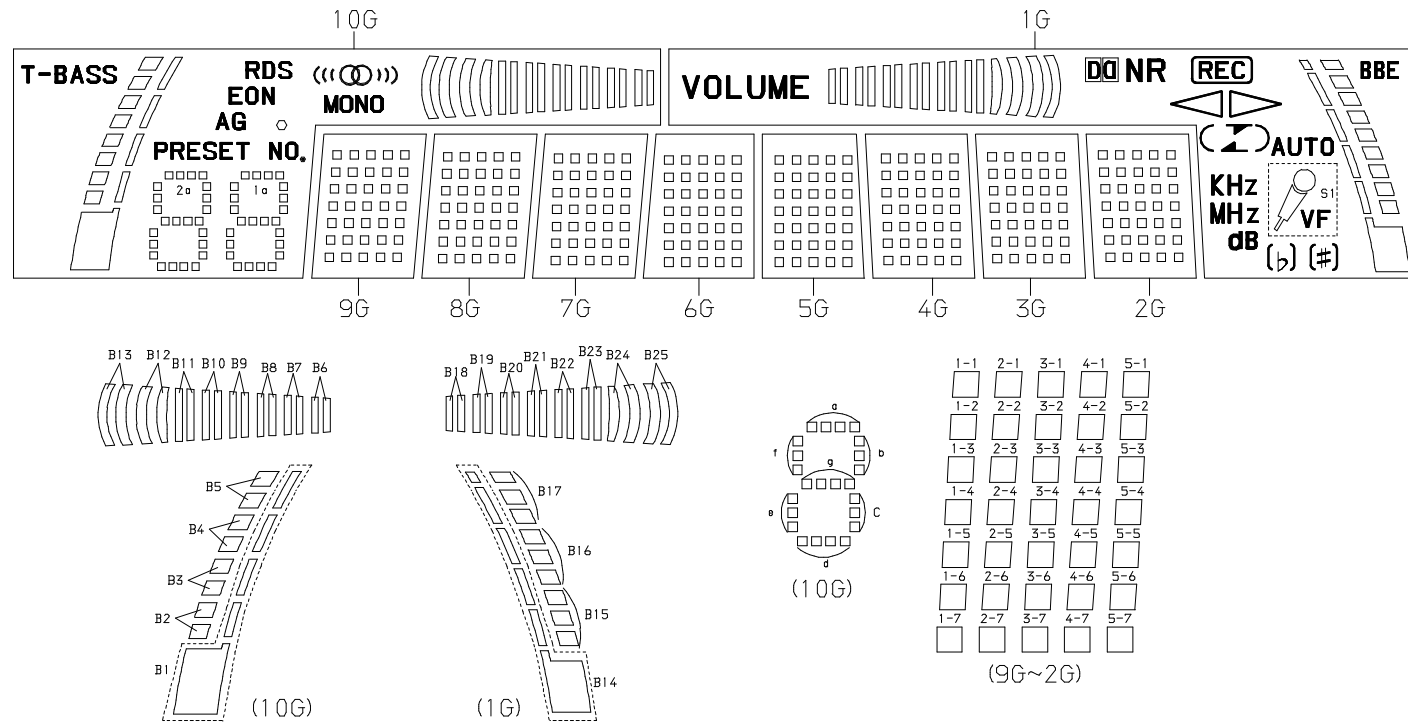
TO [A] MAIN C.B
PIN611





FL GRID (10-BT-218GNK) ASSIGNMENT AND ANODE CONNECTION (MX-NDPH2100)

GRID ASSIGNMENT

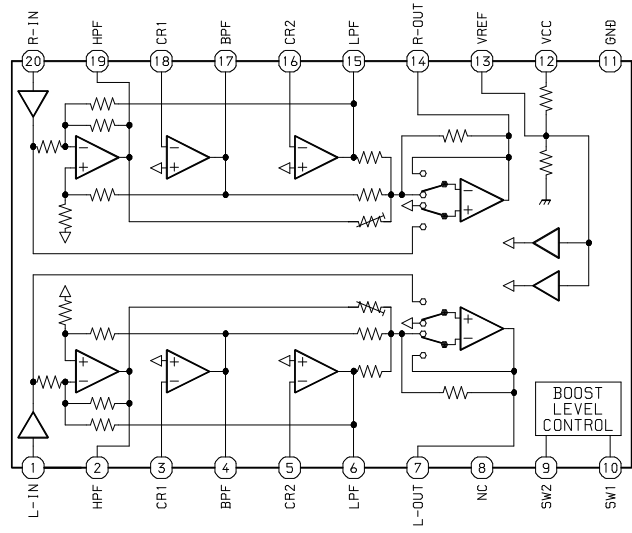


ANODE CONNECTION

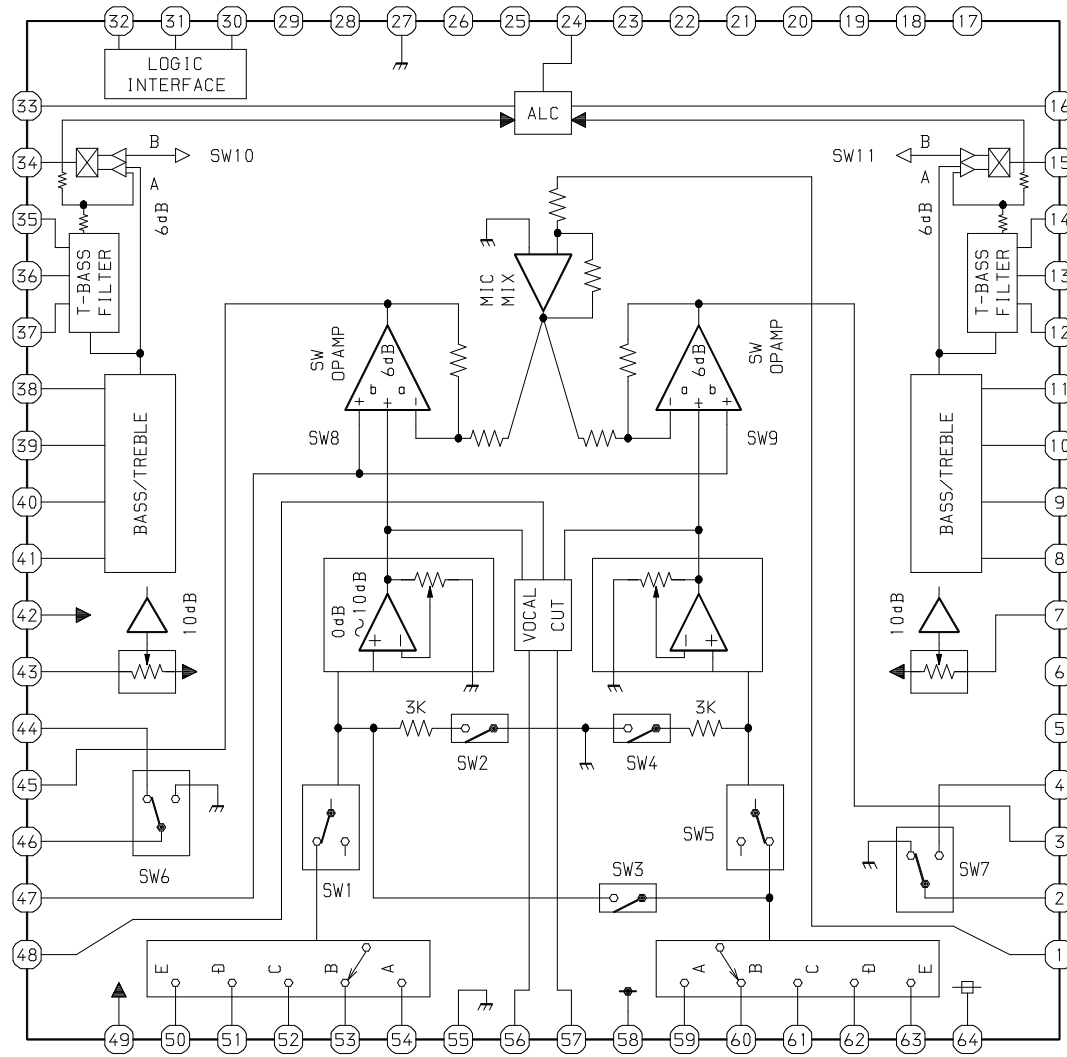
	10G	9G~2G	1G
P1	((((O)))	1-1	VOLUME
P2	B6	2-1	B18
P3	B7	3-1	B19
P4	B8	4-1	B20
P5	B9	5-1	B21
P6	B10	1-2	B22
P7	B11	2-2	B23
P8	B12	3-2	B24
P9	B13	4-2	B25
P10	MONO	5-2	DQNR
P11	RDS	1-3	REC
P12	EON	2-3	
P13	AG	3-3	
P14	○	4-3	
P15	PRESET No.	5-3	
P16	2a	1-4)
P17	2f	2-4	KHz
P18	2b	3-4	MHz
P19	2g	4-4	dB
P20	2e	5-4	((b))
P21	2c	1-5	b
P22	2d	2-5	S1
P23	1a	3-5	AUTO
P24	1f	4-5	#
P25	1b	5-5	((#))
P26	1g	1-6	B14
P27	1e	2-6	B17
P28	1c	3-6	B16
P29	1d	4-6	B15
P30	T-BASS	5-6	BBE
P31	B1	1-7	-
P32	B2	2-7	-
P33	B3	3-7	-
P34	B4	4-7	-
P35	B5	5-7	-

IC BLOCK DIAGRAM (MX-NDPH2100)

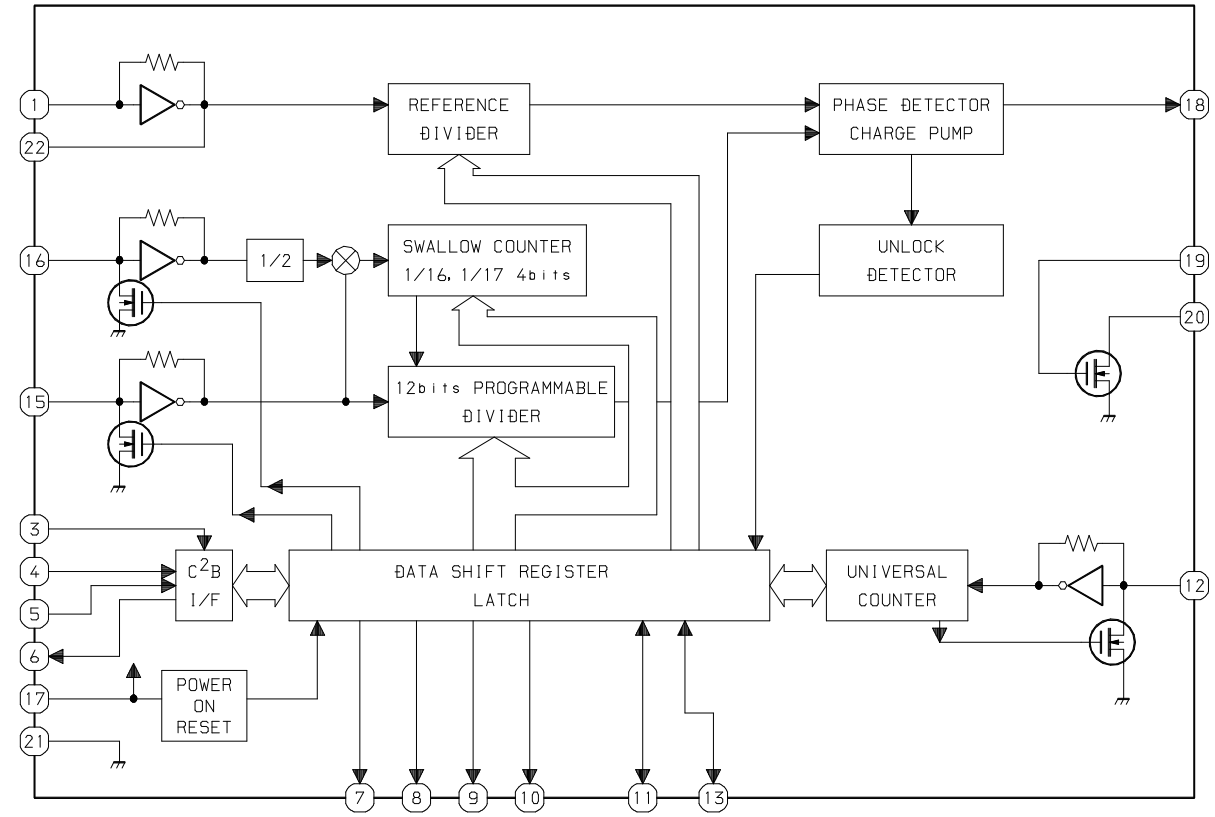
IC, NJM2152M



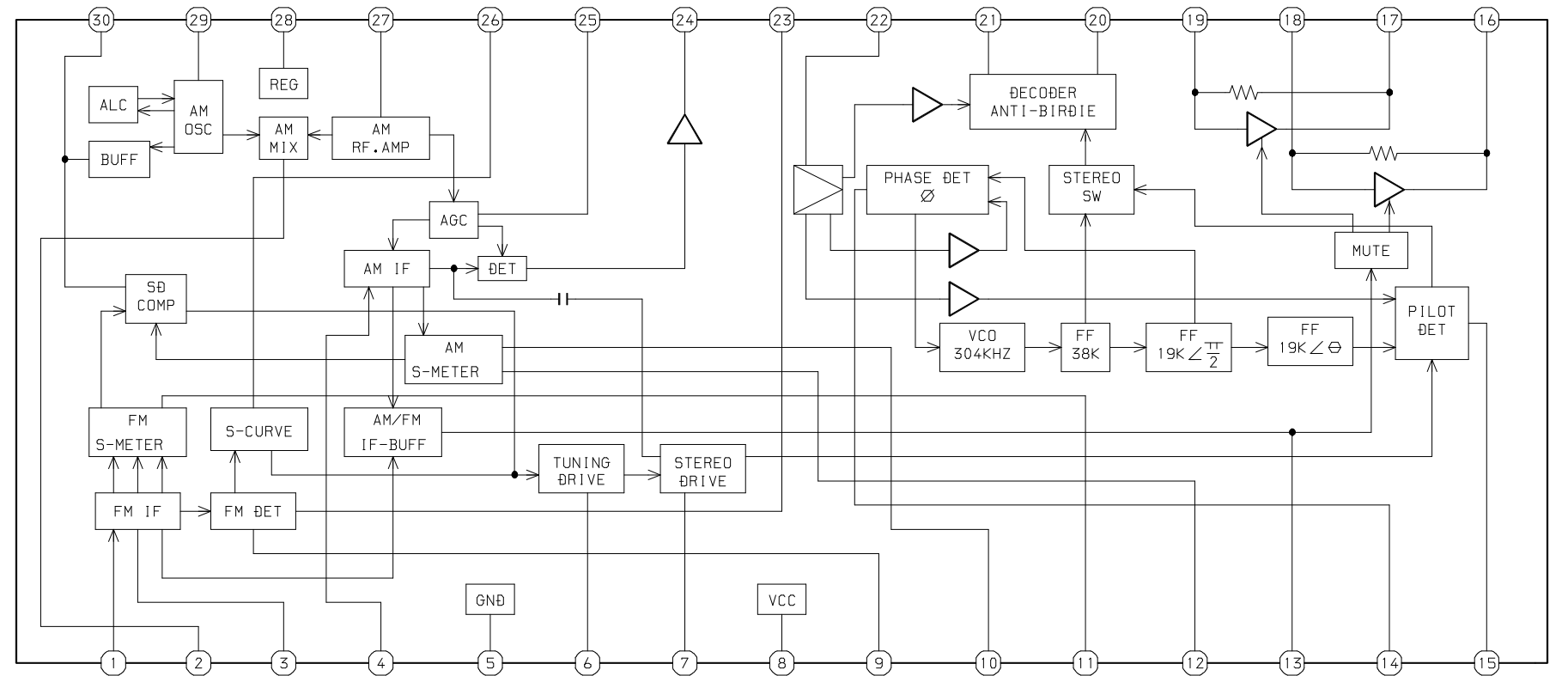
IC, M62445AFP



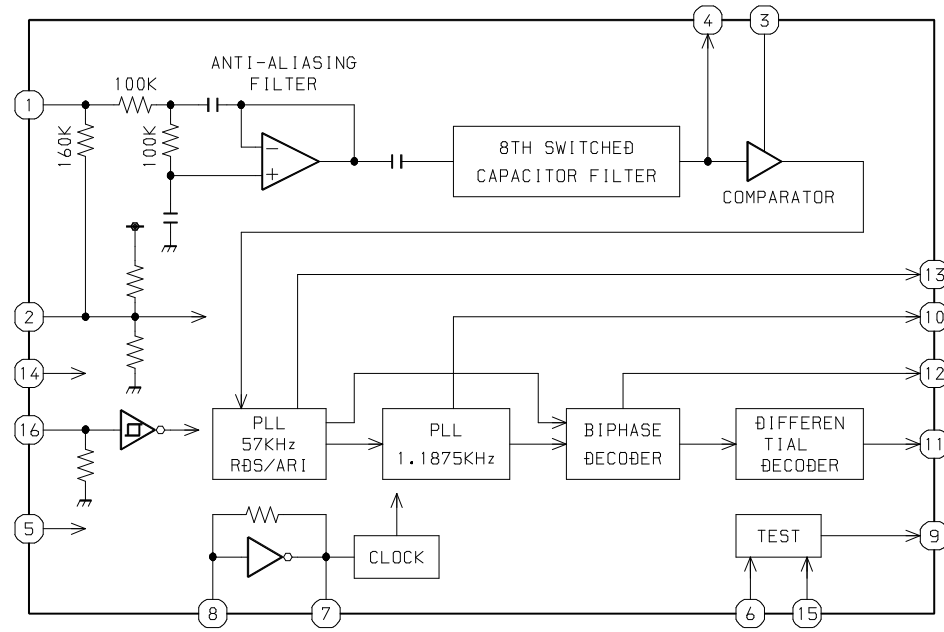
IC, LC72131D



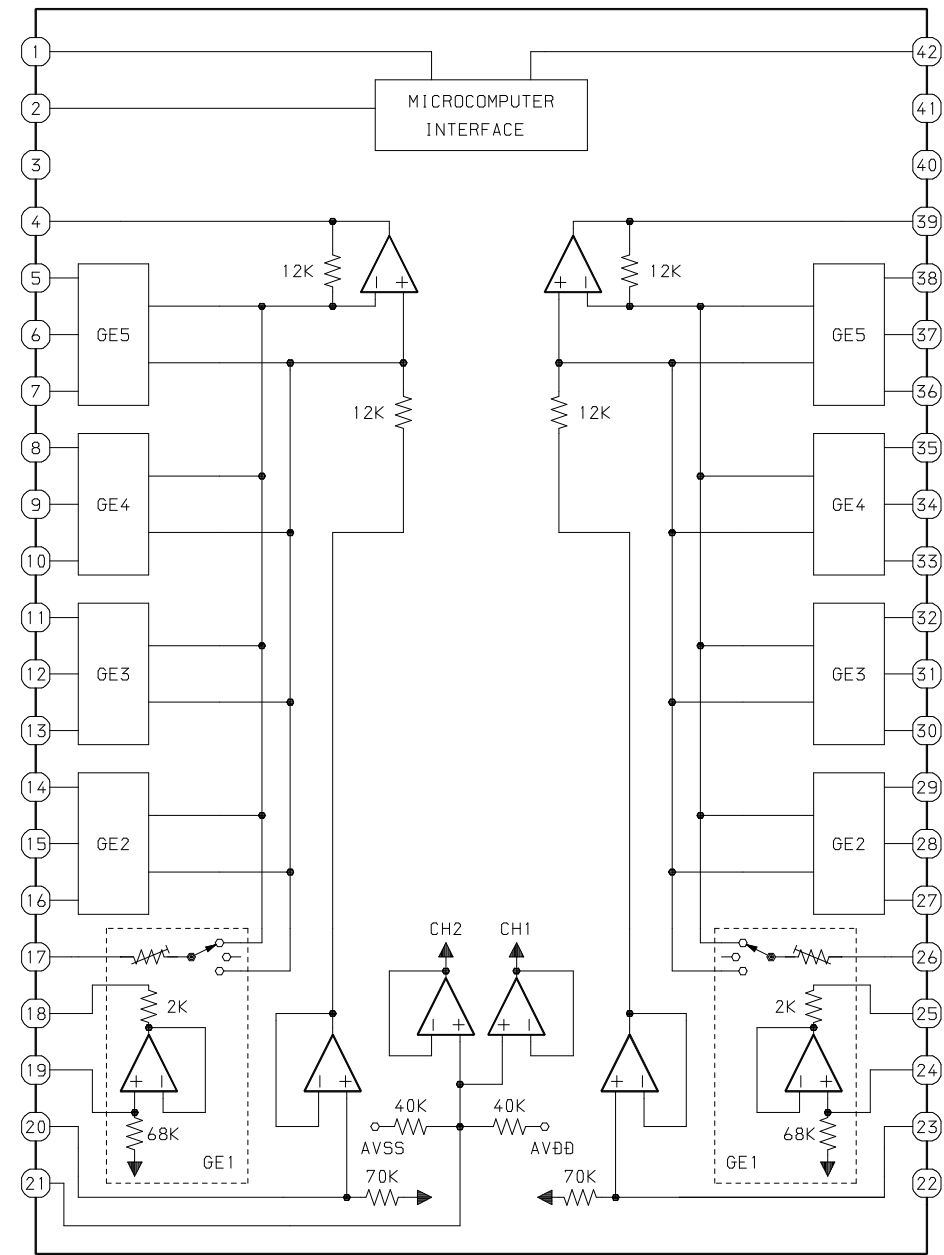
IC, LA1837NL



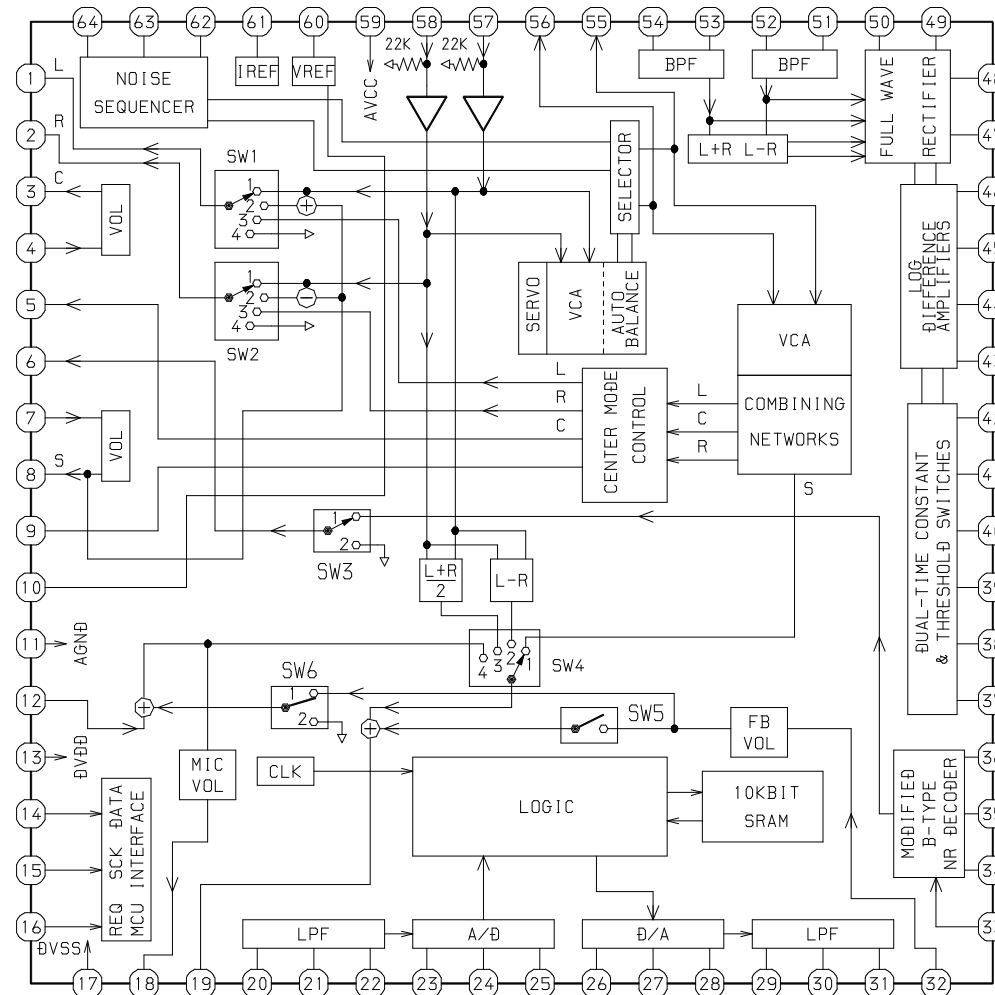
IC. BU1920FS



IC. M62449FP



IC. M62463AFP



IC DESCRIPTION (MX-NDPH2100)

IC, UPD780228GF-065-3BA

Pin No.	Pin Name	I/O	Description
1	$\overline{\text{K-SCAN}}$	O	Key scan output.
2	RHYTHM-CS	O	Chip select output to IC, BU9990-03FS. (Not used)
3	RHYTHM-SCLK	O	Clock output to IC, BU9990-03FS. (Not used)
4	RHYTHM-SD	O	Data output to IC, BU9990-03FS. (Not used)
5	PLL CE	O	PLL IC chip enable output.
6	O-M/CLK	O	Main clock output.
7	O-M/DATA	O	Main data output.
8	O-M/STB	O	Main strobe output.
9	I/O-SERIAL	I/O	Communication port for GEQ, CD and DECK.
10	O-MUTE	O	System mute (ON when "H").
11	$\overline{\text{O-POWER}}$	O	System power supply (ON when "L").
12	DIMER 2	O	Dimmer control ("L" when 2).
13	O-MUTE S	O	Sound L, R, Center, SW Mute.
14	LED-ECO	O	ECO LED output.
15	NC	–	Not connected.
16	NC	–	Not connected.
17	IC	–	Connect to GND.
18	VSS	–	GND.
19	VDD	–	Power supply terminal.
20	LED-MD	O	MD LED output.
21	TM-BASE	I	Time base input.
22	$\overline{\text{TUNE/IFO}}$	I	Tuning detection input.
23	$\overline{\text{STEREO}}$	I	Stereo detection input.
24	NC	–	Not connected.
25	I-RE VOL A	I	Rotary Encoder Input A / B.
26	I-RE VOL B		
27	LED-CD	O	CD LED output.
28	NC	–	Not connected.
29	RDS-CLK	I	TUNER RDS IC clock input.
30	$\overline{\text{RESET}}$	I	Reset input.
31	I-RDS	I	Tuner RDS input.
32	GEQ-REQ	O	Latch output to IC, M62449FP.
33	COUNTER	I	Tape counter input.
34	$\overline{\text{I-RMC}}$	I	Remote controller input (Active "L").
35	$\overline{\text{I-SURR-OFF}}$	I	Stop surround function when using head phone.
36	O-SHIFT	O	Output for oscillated frequency shift.
37	VDD	–	Power supply terminal.
38	X2	–	4.19MHz oscillator circuit.
39	X1		
40	VSS	–	GND.
41	AVDD	–	Power supply terminal.
42	$\overline{\text{HOLD}}$	I	Power failure / over current detected input.

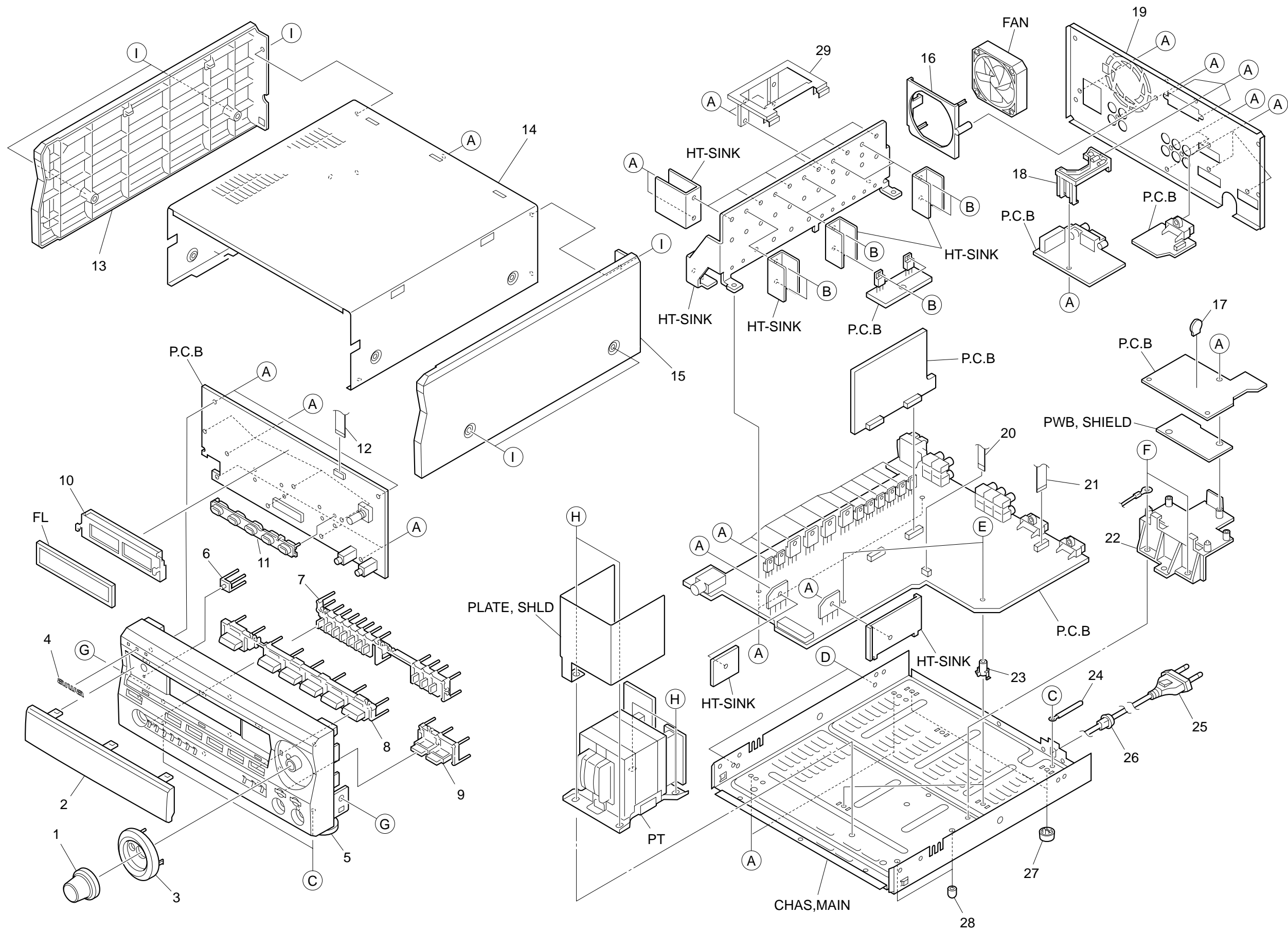
Pin No.	Pin Name	I/O	Description
43	I-RDS-SIG	I	Tuner tuning signal level A/D input.
44	I-MIC	I	MIC input level detection.
45	KEY1	I	KEY1 input.
46	KEY2	I	KEY2 input.
47	I-TEMPO	I	TEMPO input (100Hz, 3.3kHz).
48	I-GE-2	I	DEMO, TIMER, CLOCK, SPICE A, AUTO SPICE / FILL IN input.
49	I-GE-1	I	JOG, SPICE B SW input.
50	AVSS	–	GND.
51	LED-TAPE	O	Tape LED output.
52	LED-TUNER	O	Tuner LED output.
53	LED-VIDEO	O	Video LED output.
54~58	P1~P5	O	FL segment P1~P5 output.
59	P6/SEL3	I/O	FL segment P6 output / Select 3 diode input. (Not used.)
60	P7/SEL2	I/O	FL segment P7 output / Select 2 diode input. (Not used.)
61	P8/SEL1	I/O	FL segment P8 output / Select 1 diode input. (Not used.)
62	P9/PROLOGIC	I/O	FL segment P9 output / PROLOGIC select diode input.
63	P10/DEMO	I/O	FL segment P10 output / DEMO select diode input. (Not used.)
64	P11/V-CD	I/O	FL segment P11 output / V-CD select diode input. (Not used.)
65~78	P12~P25	O	FL segment P12~P25 output.
79	VDD	–	Power supply terminal.
80	-VFL	–	Power FL display negative supply terminal.
81~90	P26~P35	O	FL segment P26~P35 output.
91~100	G10~G1	O	FL grid G10~G1 output.

ADJUSTMENT <TUNER>(MX-NDPH2100)

< TUNER SECTION >

1. Clock Frequency Check
Settings : • Test point : TP2 (CLK)
Method : Set to MW 1602kHz and check that the test point is 2052kHz \pm 45Hz.
2. MW VT Check
Settings : • Test point : TP1 (VT)
Method : Set to MW 1602kHz and check that the test point is less than 8.0V. Then set to MW 531kHz and check that the test point is more than 0.6V.
3. MW Tracking Adjustment
Settings : • Test point : TP5 (Lch), TP6 (Rch)
• Adjustment location : L981 (1/3)
Method : Set to MW 999kHz and adjust L981 (1/3) so that the test point becomes maximum.
4. LW VT Adjustment
Settings : • Test point : TP1 (VT)
• Adjustment location : L942
Method : Set to LW 144kHz and adjust L942 so that the test point becomes 1.3V \pm 0.05V.
Then set to LW 290kHz and check that the test point is less than 8.0V.
5. LW Tracking Adjustment
Settings : • Test point : TP5 (Lch), TP6 (Rch)
• Adjustment location :
L941 144kHz
TC942 290kHz
Method : Set up TC942 to center before adjustment. The level at 144kHz is adjusted to MAX by L941. Then the level at 290kHz is adjusted to MAX by TC942.
6. AM IF Adjustment
Settings : • Test point : TP5 (Lch), TP6 (Rch)
• Adjustment location :
L772 450kHz
7. FM VT Check
Settings : • Test point : TP1 (VT)
Method : Set to FM 108.0MHz and check that the test point is less than 8.0V. Then set to FM 87.5MHz and check that the test point is more than 0.5V.
8. FM Tracking Check
Settings : • Test point : TP5 (Lch), TP6 (Rch)
Method : Set to FM 98.0MHz and check that the test point is less than 13dB μ V.
9. DC Balance / Mono Distortion Adjustment
Settings : • Test point : TP3, TP4 (DC balance)
: TP5(Lch), TP6(Rch) (Distortion)
• Adjustment location : L771
• Input level : 60dB μ V
Method : Set to FM 98.0MHz and adjust L771 so that the voltage between TP3 and TP4 is 0V \pm 300mV. Next, check the distortion is less than 1.3 %.

MECHANICAL EXPLODED VIEW 1 / 1 (MX-NDPH2100)



MECHANICAL PARTS LIST 1 / 1 (MX-NDPH2100)

REF. NO.	PART NO.	KANRI NO.	DESCRIPTION	REF. NO.	PART NO.	KANRI NO.	DESCRIPTION
1	8Z-SP1-011-010		KNOB,RTRY VOL	△ 25	87-A80-157-010		AC CORD ASSY, E BLK CC
2	8A-SPM-004-010		WINDOW,DISPLAY EZ	26	87-085-185-010		BUSHING, AC CORD (E)CM-22B
3	8A-SP1-012-010		RING,VOL	27	87-085-213-010		FOOT,H12.5
4	87-CE3-023-010		BADGE,AIWA 30N SILV	28	8Z-NB8-240-010		COVER, PL
5	8A-SPM-002-010		CABI,FR EZ	29	88-SPM-208-010		HLDL,PWB PRO
6	8Z-SP1-015-010		REFLECTOR,ECO	A	87-067-703-010		BVT2+3-10 W/O SLOT
7	8A-SP1-016-010		KEY,RDS	B	87-067-758-010		BVT2+3-12 W/O SLOT
8	8Z-SP1-010-010		KEY,ASSY FUN	C	87-067-688-010		BVTT+3-6
9	8A-SP1-007-010		KEY,BBE	D	87-721-095-410		QT2+3-8GLD W/O SLOT
10	88-SX1-203-210		GUIDE,FL	E	87-067-822-010		BVT2+3-20 W/O SLOT
11	8Z-SP1-202-110		GUIDE,LED FUN	F	87-067-579-010		BVT2+3-8 W/O SLOT
12	88-906-301-110		FF-CABLE,6P-1.25 300MM	G	87-591-094-410		QIT+3-6
13	8A-SP1-017-010		PANEL,SIDE L	H	87-078-191-010		S-SCREW,IT+4-10 SW CH
14	8A-SP1-002-010		CABI,STEEL	I	87-B10-091-010		UTT2+3-10 W/O SLOT BLK
15	8A-SP1-018-010		PANEL,SIDE R				
16	8Z-SP1-207-010		COVER, FAN				
17	87-A91-331-010		COVER,CAPACITOR 851040				
18	88-AR1-203-010		HLDL,TU				
19	8A-SPM-005-010		PANEL,REAR EZSM<EZSM>				
19	8A-SPM-006-010		PANEL,REAR KSM<KSM>				
20	88-904-151-110		FF-CABLE, 4P 1.25 150MM				
21	88-910-071-110		FF-CABLE, 10P 1.25 70MM				
22	8Z-SP1-209-010		HLDL,PWB ECO				
23	8Z-SP1-208-010		HLDL,PWB 13.5				
24	87-064-185-010		HLDL,WIRE PVC 0.5				

COLOR NAME TABLE

Basic color symbol	Color	Basic color symbol	Color	Basic color symbol	Color
B	Black	C	Cream	D	Orange
G	Green	H	Gray	L	Blue
LT	Transparent Blue	N	Gold	P	Pink
R	Red	S	Silver	ST	Titan Silver
T	Brown	V	Violet	W	White
WT	Transparent White	Y	Yellow	YT	Transparent Yellow
LM	Metallic Blue	LL	Light Blue	GT	Transparent Green
LD	Dark Blue	DT	Transparent Orange	GM	Metallic Green
YM	Metallic Yellow	DM	Metallic Orange	PT	Transparent Pink

MODEL NO.

GE-NDPH2100

ELECTRICAL MAIN PARTS LIST

REF. NO.	PART NO.	KANRI NO.	DESCRIPTION	REF. NO.	PART NO.	KANRI NO.	DESCRIPTION
IC				C407	87-012-158-080		C-CAP,S 390P-50 CH
	8A-SU1-608-010	IC,LC866448W		C408	87-A11-144-080		CAP,TC U 0.1-50 K B
	87-A21-023-040	C-IC,BA3835F		FL201	8Z-SU1-605-010		FL,BJ699GK
TRANSISTOR				L101	87-005-152-080		COIL,10UH
	87-026-263-080	C-TR,RN1410		L102	87-005-130-080		COIL,10UH
DIODE				L103	87-005-130-080		COIL,10UH
	87-070-136-080	ZENER,MTZJ5.1B		L104	87-005-152-080		COIL,10UH
	87-017-931-080	ZENER,MTZJ5.6B		L301	87-003-097-080		COIL,1UH
	87-020-465-080	DIODE,1SS133 (110MA)		LED201	87-A40-380-080		LED,SEL6510C-TP5 GRN
MAIN C.B				LED202	87-A40-380-080		LED,SEL6510C-TP5 GRN
C101	87-010-550-040	CAP,E 100-6.3 GAS		LED203	87-A40-380-080		LED,SEL6510C-TP5 GRN
C103	87-010-497-040	CAP,E 4.7-35 GAS		LED204	87-A40-380-080		LED,SEL6510C-TP5 GRN
C105	87-010-312-080	C-CAP,S 15P-50 CH		LED205	87-A40-380-080		LED,SEL6510C-TP5 GRN
C106	87-010-320-080	CHIP CAP 68P		LED206	87-A40-380-080		LED,SEL6510C-TP5 GRN
C107	87-010-316-080	C-CAP,S 33P-50 CH		LED207	87-A40-380-080		LED,SEL6510C-TP5 GRN
C108	87-010-196-080	CHIP CAPACITOR,0.1-25		LED208	87-A40-380-080		LED,SEL6510C-TP5 GRN
C109	87-010-196-080	CHIP CAPACITOR,0.1-25		LED209	87-A40-317-080		LED,SLR-342VCT31 RED
C110	87-012-368-080	C-CAP,S 0.1-50 F		LED210	87-A40-317-080		LED,SLR-342VCT31 RED
C111	87-010-552-040	CAP,E 22-16 GAS		LED211	87-A40-317-080		LED,SLR-342VCT31 RED
C201	87-012-140-080	CAP 470P		LED212	87-A40-317-080		LED,SLR-342VCT31 RED
C202	87-012-369-080	C-CAP,S 0.047-50F		LED213	87-A40-317-080		LED,SLR-342VCT31 RED
C203	87-010-404-040	CAP,E 4.7-50 SME		LED214	87-A40-317-080		LED,SLR-342VCT31 RED
C204	87-010-405-040	CAP,E 10-50		LED215	87-A40-317-080		LED,SLR-342VCT31 RED
C205	87-010-405-040	CAP,E 10-50		LED216	87-A40-317-080		LED,SLR-342VCT31 RED
C206	87-010-405-040	CAP,E 10-50		S301	87-A90-095-080		SW,TACT EVQ11G04M
C301	87-010-196-080	CHIP CAPACITOR,0.1-25		S302	87-A90-095-080		SW,TACT EVQ11G04M
C302	87-010-196-080	CHIP CAPACITOR,0.1-25		S303	87-A90-095-080		SW,TACT EVQ11G04M
C303	87-010-197-080	CAP,CHIP 0.01 DM		S304	87-A90-095-080		SW,TACT EVQ11G04M
C304	87-010-182-080	C-CAP,S 2200P-50 B		S305	87-A90-095-080		SW,TACT EVQ11G04M
C401	87-010-196-080	CHIP CAPACITOR,0.1-25		S306	87-A90-095-080		SW,TACT EVQ11G04M
C402	87-010-196-080	CHIP CAPACITOR,0.1-25		S307	87-A90-095-080		SW,TACT EVQ11G04M
C403	87-010-196-080	CHIP CAPACITOR,0.1-25		S308	87-A90-095-080		SW,TACT EVQ11G04M
C404	87-010-196-080	CHIP CAPACITOR,0.1-25		S309	87-A90-095-080		SW,TACT EVQ11G04M
C405	87-010-196-080	CHIP CAPACITOR,0.1-25		S313	87-A90-095-080		SW,TACT EVQ11G04M
C406	87-010-196-080	CHIP CAPACITOR,0.1-25		S316	87-A91-076-010		SW,RTRY REO121PVB25FINA1
				W101	8Z-SU1-608-110		CORD,52305-101BLK
				WH101	87-A90-882-010		HLDR,WIRE 10P 1.5 51016
				X101	87-A70-070-080		VIB,CER 5.76MHZ CRHF

○チップ抵抗部品コード／CHIP RESISTOR PART CODE

チップ抵抗部品コードの成り立ち

Chip Resistor Part Coding



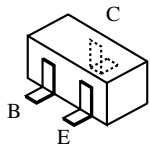
A
抵抗部品コード
Resistor Code

桁表示
Figure
抵抗値
Value of resistor

チップ抵抗
Chip resistor

容量 Wattage	種類 Type	許容誤差 Tolerance	記号 Symbol	寸法/Dimensions (mm)			抵抗コード : A Resistor Code : A	
				外形/Form	L	W		t
1/16W	1005	± 5%	CJ		1.0	0.5	0.35	104
1/16W	1608	± 5%	CJ		1.6	0.8	0.45	108
1/10W	2125	± 5%	CJ		2	1.25	0.45	118
1/8W	3216	± 5%	CJ		3.2	1.6	0.55	128

TRANSISTOR ILLUSTRATION (GE-NDPH2100)

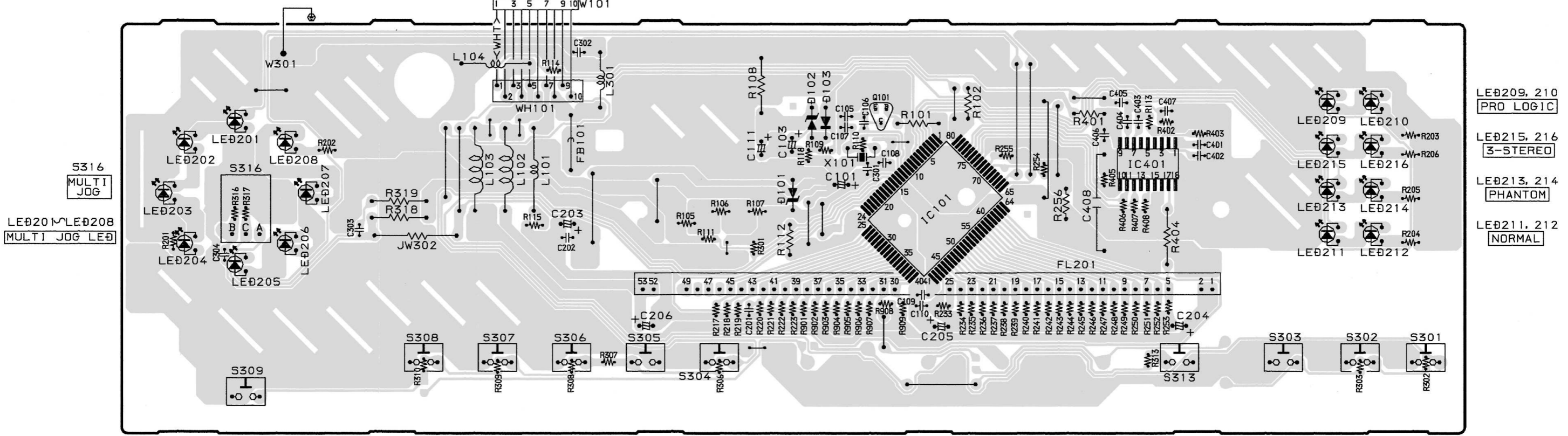


RN1410

32	31	30	29	28	27	26	25	24	23	22	21	20	19	18	17	16	15	14	13	12	11	10	9	8	7	6	5	4	3	2	1
----	----	----	----	----	----	----	----	----	----	----	----	----	----	----	----	----	----	----	----	----	----	----	---	---	---	---	---	---	---	---	---

A MAIN C.B

TO STEREO RECEIVER CN904

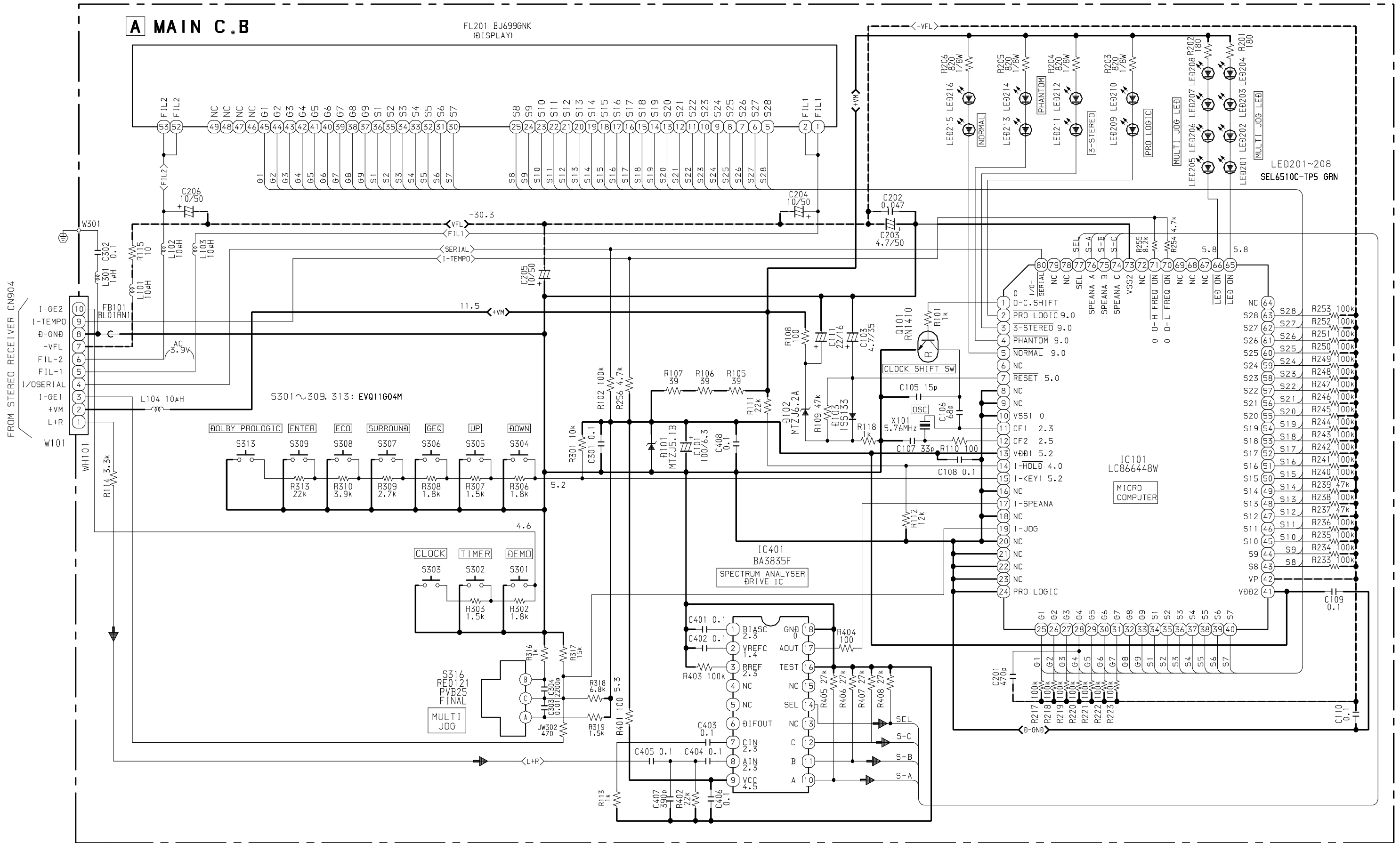


- LE0209, 210
PRO LOGIC
- LE0215, 216
3-STEREO
- LE0213, 214
PHANTOM
- LE0211, 212
NORMAL

- S309
ENTER
- S308
ECO
- S307
SURROUND
- S306
GEQ
- S305
UP
- S304
DOWN
- FL201
(DISPLAY)
- S313
DOLBY PROLOGIC
- S303
CLOCK
- S302
TIMER
- S301
DEMO

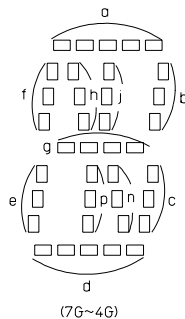
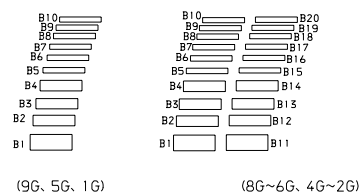
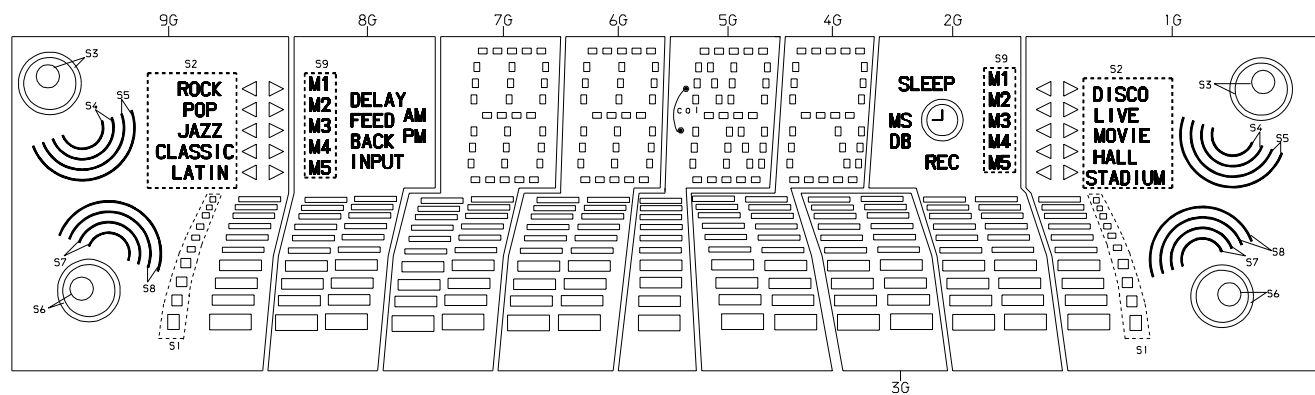
A
B
C
D
E
F
G
H
I
J
K
L
M
N
O
P
Q
R
S
T
U

SCHEMATIC DIAGRAM (MAIN : GE-NDPH2100)



FL GRID ASSIGNMENT AND ANODE CONNECTION (GE-NDPH2100)

GRID ASSIGNMENT

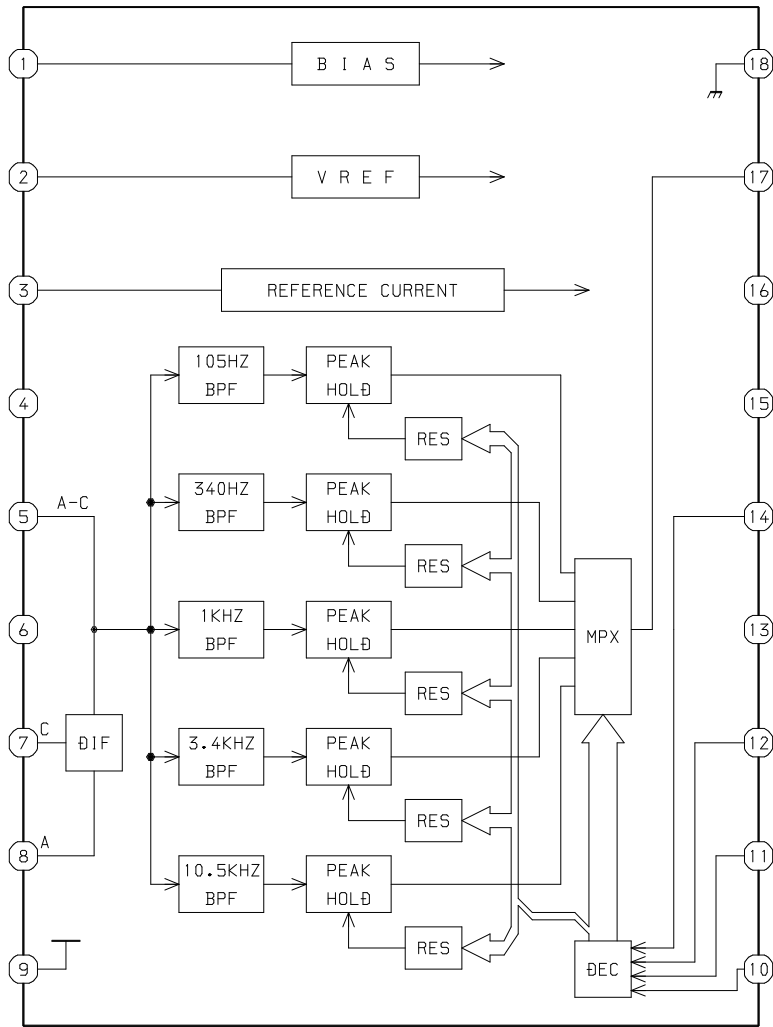


ANODE CONNECTION

	9G	8G	7G	6G	5G	4G	3G	2G	1G
P1	[M1]	—	a	a	a	a	—	—	[M1]
P2	[M2]	S9	b	b	b	b	—	S9	[M2]
P3	[M3]	DELAY	f	f	f	f	—	SLEEP	[M3]
P4	[M4]	FEED BACK	g	g	g	g	—	⌚	[M4]
P5	[M5]	INPUT	c	c	c	c	—	REC	[M5]
P6	[ROCK]	AM	e	e	e	e	—	MS	[DISCO]
P7	[POP]	PM	d	d	d	d	—	DB	[LIVE]
P8	S1	B11	B11	B11	h	B11	B11	B11	S1
P9	B1	B1	B1	B1	B1	B1	B1	B1	B1
P10	S6	B12	B12	n	B12	B12	B12	B12	S6
P11	B2	B2	B2	B2	B2	B2	B2	B2	B2
P12	S7	B13	B13	col(L)	B13	B13	B13	B13	S7
P13	B3	B3	B3	B3	B3	B3	B3	B3	B3
P14	S8	B14	B14	col(F)	B14	B14	B14	B14	S8
P15	B4	B4	B4	B4	B4	B4	B4	B4	B4
P16	S3	B15	B15	—	B15	B15	B15	B15	S3
P17	B5	B5	B5	B5	B5	B5	B5	B5	B5
P18	S4	B16	B16	—	B16	B16	B16	B16	S4
P19	B6	B6	B6	B6	B6	B6	B6	B6	B6
P20	S5	B17	B17	—	B17	B17	B17	B17	S5
P21	B7	B7	B7	B7	B7	B7	B7	B7	B7
P22	S2	B18	B18	—	B18	B18	B18	B18	S2
P23	B8	B8	B8	B8	B8	B8	B8	B8	B8
P24	[JAZZ]	B19	B19	—	B19	B19	B19	B19	[MOVIE]
P25	B9	B9	B9	B9	B9	B9	B9	B9	B9
P26	[CLASSIC]	B20	B20	—	B20	B20	B20	B20	[HALL]
P27	B10	B10	B10	B10	B10	B10	B10	B10	B10

IC BLOCK DIAGRAM (GE-NDPH2100)

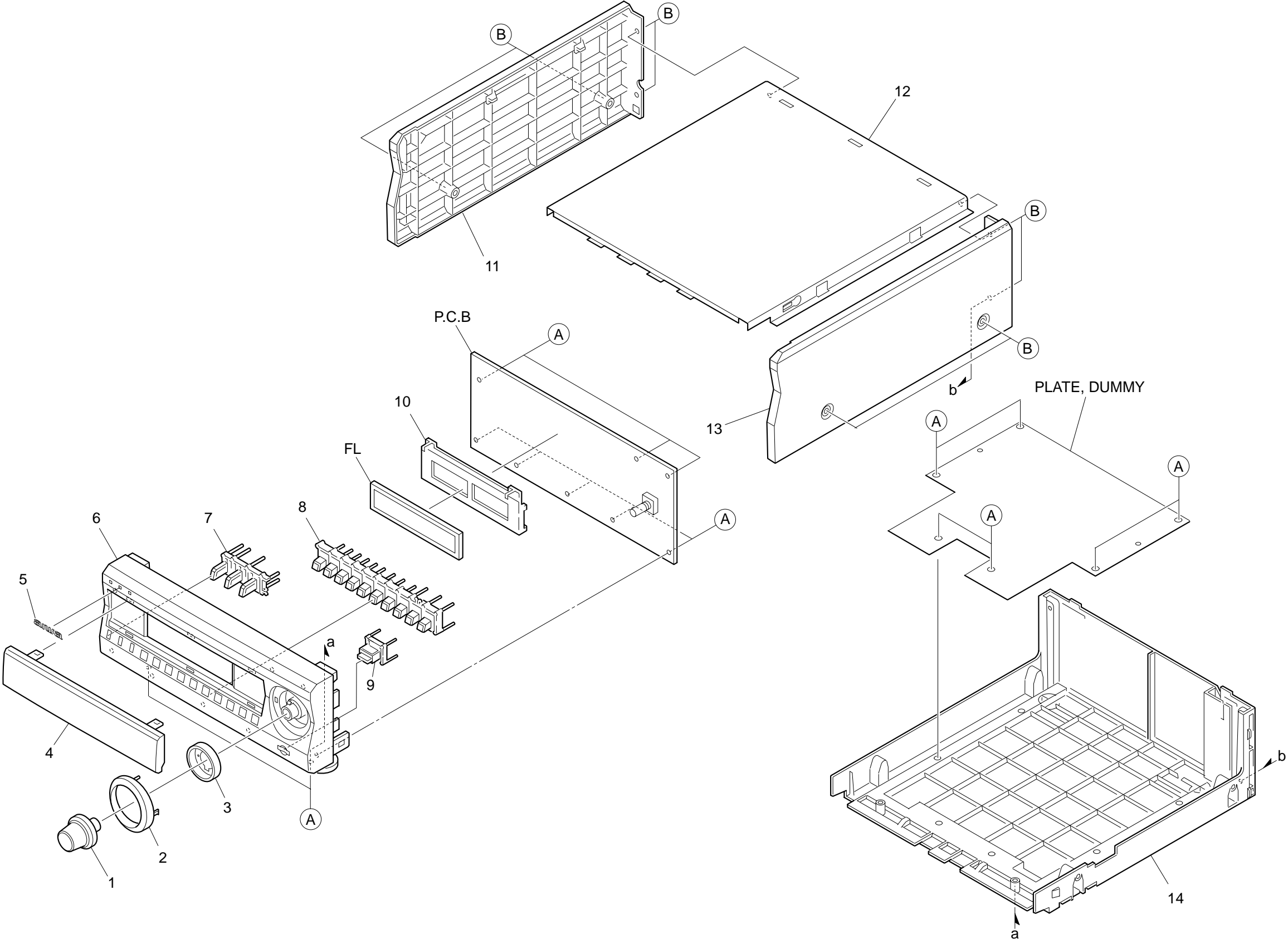
BA3835F



IC DESCRIPTION (GE-NDPH2100)

IC, LC866448W

Pin No.	Pin Name	I/O	Description
1	O-C.SHIFT	O	Micro computer clock shift output.
2	PRO LOGIC	O	PRO LOGIC LED output.
3	3-STEREO	O	3 STEREO LED output.
4	PHANTOM	O	PHANTOM LED output.
5	NORMAL	O	NORMAL LED output.
6	NC	-	Not connected.
7	RESET	I	Reset input.
8	NC	-	Connected to GND.
9	NC	-	Connected to GND.
10	VSS1	-	GND.
11	CF1	-	Connected to crystal oscillator (5.76MHz).
12	CF2	-	
13	VDD1	-	Power supply.
14	I-HOLD	I	System power supply monitor AD input.'H':Normal operation.'L':to stop clock and main memory.
15	I-KEY1	I	KEY 1 AD input.
16	NC	-	Connected to GND.
17	I-SPEANA	I	Spectrum analyzer level AD input.
18	NC	-	Connected to GND.
19	I-JOG	I	Jog rotary encoder input.
20~23	NC	-	Connected to GND.
24	PRO LOGIC	I	Input prologic switch "H" when prologic ,"L" when not prologic.
25~33	G1~G9	O	FL gird output.
34~40	S1~S7	O	FL Segment output.
41	VDD2	-	Connected to GND.
42	VP	-	Power FL display negative supply terminal.
43~63	S8~S28	O	FL Segment S8~S28 output.
64	NC	-	Not used.
65	LED ON	O	MULTI JOG LED output.
66	LED ON	O	MULTI JOG LED output.
67~69,72	NC	-	Not connected.
70	O-L FREQ ON	O	Spectrum analyzer low frequency output.
71	O-H FREQ ON	O	Spectrum analyzer high frequency output.
73	VSS2	-	GND.
74	SPEANA C	O	Spectrum analyzer band switch output C.
75	SPEANA B	O	Spectrum analyzer band switch output B.
76	SPEANA A	O	Spectrum analyzer band switch output A.
77	SEL	O	Spectrum analyzer band switch output select .
78~79	NC	-	Not connected.
80	I/O-SERIAL	I/O	Input/output serial data for communication.



MECHANICAL PARTS LIST 1 / 1 (GE-NDPH2100)

REF. NO.	PART NO.	KANRI NO.	DESCRIPTION
1	8Z-SU1-007-010		KNOB, RTRY JOG
2	8A-SU1-006-010		RING, JOG
3	8Z-SU1-005-010		REFLECTOR, JOG
4	8A-SU1-004-010		WINDOW, DISPLAY
5	87-CE3-023-010		BADGE, AIWA 30N SILV
6	8A-SUM-002-010		CABI, FR YS
7	8A-SUM-003-010		KEY, PRO
8	8A-SU1-008-010		KEY, GEQ EZ
9	8A-SU1-010-010		KEY, ENTER
10	88-SU1-201-110		GUIDE, FL
11	8A-SX1-011-010		PANEL, SIDE L
12	8A-SU1-002-010		CABI, STEEL
13	8A-SX1-012-010		PANEL, SIDE R
14	8A-SUM-004-010		CABI, REAR YSM
A	87-067-703-010		BVT2+3-10 W/O SLOT
B	87-B10-091-010		UTT2+3-10 BLK

COLOR NAME TABLE

Basic color symbol	Color	Basic color symbol	Color	Basic color symbol	Color
B	Black	C	Cream	D	Orange
G	Green	H	Gray	L	Blue
LT	Transparent Blue	N	Gold	P	Pink
R	Red	S	Silver	ST	Titan Silver
T	Brown	V	Violet	W	White
WT	Transparent White	Y	Yellow	YT	Transparent Yellow
LM	Metallic Blue	LL	Light Blue	GT	Transparent Green
LD	Dark Blue	DT	Transparent Orange	GM	Metallic Green
YM	Metallic Yellow	DM	Metallic Orange	PT	Transparent Pink

アイワ株式会社 〒110-8710 東京都台東区池之端1-2-11 ☎03(3827)3111 (代表)
AIWA CO.,LTD. 2-11, IKENOHATA 1-CHOME, TAITO-KU, TOKYO 110, JAPAN TEL:03 (3827) 3111