



XH-AG1000_{HR}

SERVICE MANUAL

COMPACT DISC
STEREO SYSTEM

BASIC TAPE MECHANISM : 6ZM-1 AR3NM
BASIC CD MECHANISM : AZG-1 VZD3RNDM

- Replace this Service manual with "Revision Publishing" when it is issued.

aiwa

S/M Code No. 09-005-431-8T1

SIMPLE

DATA

ELECTRICAL MAIN PARTS LIST - 1/13

NOTE: The characters in the suffix column indicate the part usage.

HRJSM	REF.NO	PARTS NO.	DESCRIPTION	SUFFIX
.....XX.....				A.....
			KANRI	
			NO.	
D	4	87-020-465-080	DIODE,1SS133 (110MA)	A.....
D	5	87-020-465-080	DIODE,1SS133 (110MA)	A.....
D	2	87-020-465-080	DIODE,1SS133 (110MA)	A.....
D	1	87-020-465-080	DIODE,1SS133 (110MA)	A.....
D	3	87-020-465-080	DIODE,1SS133 (110MA)	A.....
D	9	87-020-465-080	DIODE,1SS133 (110MA)	A.....
D	7	87-A40-224-010	DIODE,GBU8D	A.....
D	8	87-A40-224-010	DIODE,GBU8D	A.....
D	6	87-A40-224-010	DIODE,GBU8D	A.....
D	10	87-020-465-080	DIODE,1SS133 (110MA)	A.....
Q	1	87-026-245-080	TR,DTC114ES	A.....
Q	2	87-A30-198-080	TR,KTC3199GR	A.....
D	107	87-020-465-080	DIODE,1SS133 (110MA)	A.....
D	108	87-020-465-080	DIODE,1SS133 (110MA)	A.....
D	103	87-020-465-080	DIODE,1SS133 (110MA)	A.....
D	102	87-020-465-080	DIODE,1SS133 (110MA)	A.....
D	106	87-020-465-080	DIODE,1SS133 (110MA)	A.....
D	105	87-020-465-080	DIODE,1SS133 (110MA)	A.....
D	104	87-020-465-080	DIODE,1SS133 (110MA)	A.....
D	109	87-A40-344-080	ZENER,MTZJ6.2C	A.....
D	201	87-017-932-080	ZENER,MTJ6.2B	A.....
D	202	87-017-932-080	ZENER,MTJ6.2B	A.....
D	301	87-020-465-080	DIODE,1SS133 (110MA)	A.....
D	306	87-020-465-080	DIODE,1SS133 (110MA)	A.....
D	307	87-020-465-080	DIODE,1SS133 (110MA)	A.....
D	303	87-020-465-080	DIODE,1SS133 (110MA)	A.....
D	308	87-020-465-080	DIODE,1SS133 (110MA)	A.....
D	305	87-020-465-080	DIODE,1SS133 (110MA)	A.....
D	304	87-020-465-080	DIODE,1SS133 (110MA)	A.....
D	302	87-020-465-080	DIODE,1SS133 (110MA)	A.....
D	309	87-020-465-080	DIODE,1SS133 (110MA)	A.....
D	313	87-020-465-080	DIODE,1SS133 (110MA)	A.....
D	319	87-020-465-080	DIODE,1SS133 (110MA)	A.....
D	311	87-020-465-080	DIODE,1SS133 (110MA)	A.....
D	310	87-020-465-080	DIODE,1SS133 (110MA)	A.....
D	312	87-020-465-080	DIODE,1SS133 (110MA)	A.....
D	385	87-017-932-080	ZENER,MTJ6.2B	A.....
D	383	87-020-465-080	DIODE,1SS133 (110MA)	A.....
D	382	87-020-465-080	DIODE,1SS133 (110MA)	A.....
D	384	87-020-465-080	DIODE,1SS133 (110MA)	A.....
D	381	87-020-465-080	DIODE,1SS133 (110MA)	A.....
D	501	87-020-465-080	DIODE,1SS133 (110MA)	A.....
D	703	87-017-932-080	ZENER,MTJ6.2B	A.....
D	704	87-017-932-080	ZENER,MTJ6.2B	A.....
D	708	87-020-465-080	DIODE,1SS133 (110MA)	A.....
D	707	87-020-465-080	DIODE,1SS133 (110MA)	A.....
D	701	87-020-465-080	DIODE,1SS133 (110MA)	A.....
D	705	87-020-465-080	DIODE,1SS133 (110MA)	A.....
D	702	87-020-465-080	DIODE,1SS133 (110MA)	A.....
D	706	87-020-465-080	DIODE,1SS133 (110MA)	A.....
D	709	87-020-465-080	DIODE,1SS133 (110MA)	A.....
D	722	87-020-465-080	DIODE,1SS133 (110MA)	A.....
D	721	87-020-465-080	DIODE,1SS133 (110MA)	A.....
D	725	87-020-465-080	DIODE,1SS133 (110MA)	A.....
D	726	87-020-465-080	DIODE,1SS133 (110MA)	A.....
D	742	87-020-465-080	DIODE,1SS133 (110MA)	A.....
D	741	87-020-465-080	DIODE,1SS133 (110MA)	A.....
D	745	87-020-465-080	DIODE,1SS133 (110MA)	A.....
D	746	87-020-465-080	DIODE,1SS133 (110MA)	A.....
IC	101	87-A21-406-040	C-IC,LC87F65C8A	A.....
IC	102	87-A21-629-010	IC,SPS-442-1-N	A.....
IC	202	87-A21-481-040	C-IC,HD74HC4051FP	A.....
IC	201	87-A21-481-040	C-IC,HD74HC4051FP	A.....
IC	380	87-A21-023-040	C-IC,BA3835F	A.....
IC	701	87-017-888-080	IC,NJM4558MD	A.....
IC	702	87-A21-481-040	C-IC,HD74HC4051FP	A.....
IC	721	87-017-888-080	IC,NJM4558MD	A.....
IC	741	87-017-888-080	IC,NJM4558MD	A.....
Q	102	87-026-580-080	C-TR,DTA123JK	A.....
Q	103	87-026-610-080	TR,KTC3198GR	A.....
Q	108	87-A30-073-080	C-TR,RT1N 141C	A.....
Q	104	87-A30-087-080	C-FET,2SK2158	A.....
Q	101	87-A30-087-080	C-FET,2SK2158	A.....
Q	105	87-A30-202-080	C-TR,RT1P441C	A.....
Q	106	89-333-266-080	CHIP TR,2SC3326B	A.....
Q	202	87-A30-073-080	C-TR,RT1N 141C	A.....
Q	205	87-A30-074-080	C-TR,RT1P 141C	A.....
Q	207	87-A30-074-080	C-TR,RT1P 141C	A.....
Q	204	87-A30-074-080	C-TR,RT1P 141C	A.....
Q	209	87-A30-074-080	C-TR,RT1P 141C	A.....
Q	206	87-A30-074-080	C-TR,RT1P 141C	A.....

ELECTRICAL MAIN PARTS LIST - 2/13

Q	208	87-A30-074-080	C-TR,RT1P 141C	A
Q	201	87-A30-075-080	C-TR,2SA1235F	A
Q	203	87-A30-202-080	C-TR,RT1P441C	A
Q	212	87-026-580-080	C-TR,DTA123JK	A
Q	218	87-A30-074-080	C-TR,RT1P 141C	A
Q	211	87-A30-074-080	C-TR,RT1P 141C	A
Q	219	87-A30-074-080	C-TR,RT1P 141C	A
Q	213	87-A30-074-080	C-TR,RT1P 141C	A
Q	210	87-A30-074-080	C-TR,RT1P 141C	A
Q	215	87-A30-074-080	C-TR,RT1P 141C	A
Q	217	87-A30-074-080	C-TR,RT1P 141C	A
Q	216	87-A30-074-080	C-TR,RT1P 141C	A
Q	214	87-A30-074-080	C-TR,RT1P 141C	A
Q	250	87-A30-076-080	C-TR,2SC3052F	A
Q	266	87-A30-074-080	C-TR,RT1P 141C	A
Q	504	87-A30-047-080	TR,CSD655E	A
Q	505	87-A30-047-080	TR,CSD655E	A
Q	502	87-A30-073-080	C-TR,RT1N 141C	A
Q	503	87-A30-159-080	C-TR,KTA1298Y	A
Q	506	87-A30-240-080	TR,CSA1585BC	A
Q	501	87-A30-240-080	TR,CSA1585BC	A
Q	507	87-A30-240-080	TR,CSA1585BC	A
IC	401	87-017-915-080	IC,BU4094BCF	A
IC	402	87-017-915-080	IC,BU4094BCF	A
Q	401	87-A30-073-080	C-TR,RT1N 141C	A
Q	402	87-A30-073-080	C-TR,RT1N 141C	A
Q	403	87-A30-074-080	C-TR,RT1P 141C	A
Q	404	87-A30-074-080	C-TR,RT1P 141C	A
D	801	87-017-931-080	ZENER,MTZJ5.6B	A
IC	801	87-A21-051-040	C-IC,BU9990-03FS	A
Q	604	87-A30-075-080	C-TR,2SA1235F	A
Q	602	87-A30-076-080	C-TR,2SC3052F	A
Q	603	87-A30-076-080	C-TR,2SC3052F	A
Q	601	87-A30-087-080	C-FET,2SK2158	A
D	802	87-070-136-080	ZENER,MTZJ5.1B	A
D	801	87-A40-442-080	ZENER,MTZJ9.1A	A
IC	801	87-A21-097-040	C-IC,M62463AFP	A
IC	831	87-A21-015-040	C-IC,M62491FP	A
Q	732	87-A30-075-080	C-TR,2SA1235F	A
Q	731	87-A30-076-080	C-TR,2SC3052F	A
D	352	87-A40-269-080	C-DIODE,MC2836	A
IC	302	87-A20-355-010	IC,CXA1553P	A
IC	303	87-A20-783-040	C-IC,BA7762AFS	A
Q	358	87-026-610-080	TR,KTC3198GR	A
Q	359	87-026-610-080	TR,KTC3198GR	A
Q	357	87-026-610-080	TR,KTC3198GR	A
Q	353	87-A30-087-080	C-FET,2SK2158	A
Q	354	87-A30-087-080	C-FET,2SK2158	A
Q	351	87-A30-087-080	C-FET,2SK2158	A
Q	355	87-A30-202-080	C-TR,RT1P441C	A
Q	381	87-A30-076-080	C-TR,2SC3052F	A
Q	382	87-A30-076-080	C-TR,2SC3052F	A
D	401	87-A40-269-080	C-DIODE,MC2836	A
IC	401	87-A21-022-040	C-IC,BA3880FS	A
D	104	87-020-465-080	DIODE,1SS133 (110MA)	A
D	101	87-020-465-080	DIODE,1SS133 (110MA)	A
D	103	87-020-465-080	DIODE,1SS133 (110MA)	A
D	102	87-020-465-080	DIODE,1SS133 (110MA)	A
D	105	87-020-465-080	DIODE,1SS133 (110MA)	A
IC	101	87-017-888-080	IC,NJM4558MD	A
IC	102	87-017-888-080	IC,NJM4558MD	A
IC	103	87-017-888-080	IC,NJM4558MD	A
IC	451	87-A21-031-040	C-IC,BU4551BF	A
Q	104	89-333-266-080	CHIP TR,2SC3326B	A
Q	102	89-333-266-080	CHIP TR,2SC3326B	A
Q	103	89-333-266-080	CHIP TR,2SC3326B	A
Q	101	89-333-266-080	CHIP TR,2SC3326B	A
Q	127	87-A30-075-080	C-TR,2SA1235F	A
Q	201	89-333-266-080	CHIP TR,2SC3326B	A
Q	202	89-333-266-080	CHIP TR,2SC3326B	A
D	223	87-A30-075-080	C-TR,2SA1235F	A
D	501	87-070-136-080	ZENER,MTZJ5.1B	A
IC	501	87-A20-561-040	C-IC,M65847AFP	A
D	64	87-070-274-080	DIODE,1N4003 SEM	A
D	601	87-A40-002-080	ZENER,MTZJ5.1C	A
D	603	87-A40-234-080	ZENER,MTZJ5.6A	A
D	602	87-A40-438-080	ZENER,MTZJ4.7A	A
IC	601	87-A21-202-040	C-IC,M62445AFP	A
Q	605	87-A30-074-080	C-TR,RT1P 141C	A
Q	607	87-A30-087-080	C-FET,2SK2158	A
Q	609	87-A30-087-080	C-FET,2SK2158	A
Q	608	87-A30-087-080	C-FET,2SK2158	A
Q	606	87-A30-087-080	C-FET,2SK2158	A
Q	604	87-A30-142-040	C-TR,DTA123EKA	A
Q	601	89-213-702-010	TR,2SB1370 (1.8W)	A
D	610	87-A30-087-080	C-FET,2SK2158	A
D	8	87-020-465-080	DIODE,1SS133 (110MA)	A

ELECTRICAL MAIN PARTS LIST - 3/13

D	5	87-070-274-080	DIODE,1N4003 SEM	A
D	6	87-070-274-080	DIODE,1N4003 SEM	A
D	3	87-070-274-080	DIODE,1N4003 SEM	A
D	4	87-070-274-080	DIODE,1N4003 SEM	A
D	1	87-A40-224-010	DIODE,GBU8D	A
D	7	87-A40-341-080	ZENER,MTZJ 36 A	A
D	63	87-A40-004-080	ZENER,MTZJ16A	A
D	62	87-A40-269-080	C-DIODE,MC2836	A
D	61	87-A40-270-080	C-DIODE,MC2838	A
D	93	87-020-465-080	DIODE,1SS133 (110MA)	A
D	92	87-020-465-080	DIODE,1SS133 (110MA)	A
D	91	87-020-465-080	DIODE,1SS133 (110MA)	A
D	908	87-020-465-080	DIODE,1SS133 (110MA)	A
D	902	87-070-136-080	ZENER,MTZJ5.1B	A
D	901	87-070-136-080	ZENER,MTZJ5.1B	A
D	903	87-A40-345-080	ZENER,MTZJ10C	A
D	909	87-A40-345-080	ZENER,MTZJ10C	A
D	907	87-A40-646-010	DIODE,FMB-G16L	A
D	904	87-A40-646-010	DIODE,FMB-G16L	A
D	910	87-020-465-080	DIODE,1SS133 (110MA)	A
D	911	87-A40-269-080	C-DIODE,MC2836	A
D	912	87-A40-270-080	C-DIODE,MC2838	A
D	913	87-A40-313-080	C-DIODE,MC 2840	A
D	935	87-020-465-080	DIODE,1SS133 (110MA)	A
D	932	87-070-136-080	ZENER,MTZJ5.1B	A
D	931	87-070-136-080	ZENER,MTZJ5.1B	A
D	939	87-A40-345-080	ZENER,MTZJ10C	A
D	933	87-A40-345-080	ZENER,MTZJ10C	A
D	934	87-A40-646-010	DIODE,FMB-G16L	A
D	937	87-A40-646-010	DIODE,FMB-G16L	A
D	940	87-020-465-080	DIODE,1SS133 (110MA)	A
D	944	87-020-465-080	DIODE,1SS133 (110MA)	A
D	942	87-020-465-080	DIODE,1SS133 (110MA)	A
D	941	87-A40-269-080	C-DIODE,MC2836	A
D	943	87-A40-270-080	C-DIODE,MC2838	A
D	945	87-A40-313-080	C-DIODE,MC 2840	A
D	946	87-A40-313-080	C-DIODE,MC 2840	A
Q	1	87-026-609-080	TR,KTA1266GR	A
Q	2	87-026-609-080	TR,KTA1266GR	A
Q	8	87-A30-075-080	C-TR,2SA1235F	A
Q	9	87-A30-234-080	TR,CSC4115BC	A
Q	66	87-A30-075-080	C-TR,2SA1235F	A
Q	64	87-A30-075-080	C-TR,2SA1235F	A
Q	67	87-A30-076-080	C-TR,2SC3052F	A
Q	65	87-A30-076-080	C-TR,2SC3052F	A
Q	63	87-A30-076-080	C-TR,2SC3052F	A
Q	91	87-A30-076-080	C-TR,2SC3052F	A
Q	92	89-109-521-080	TR,2SA952 (0.6W)	A
Q	903	87-A30-074-080	C-TR,RT1P 141C	A
Q	905	87-A30-075-080	C-TR,2SA1235F	A
Q	904	87-A30-076-080	C-TR,2SC3052F	A
Q	902	87-A30-162-010	FET,2SK2937	A
Q	901	87-A30-162-010	FET,2SK2937	A
Q	933	87-A30-074-080	C-TR,RT1P 141C	A
Q	935	87-A30-075-080	C-TR,2SA1235F	A
Q	934	87-A30-076-080	C-TR,2SC3052F	A
Q	932	87-A30-162-010	FET,2SK2937	A
Q	931	87-A30-162-010	FET,2SK2937	A
D	9	87-020-465-080	DIODE,1SS133 (110MA)	A
D	10	87-A40-345-080	ZENER,MTZJ10C	A
D	108	87-020-465-080	DIODE,1SS133 (110MA)	A
D	102	87-070-136-080	ZENER,MTZJ5.1B	A
D	101	87-070-136-080	ZENER,MTZJ5.1B	A
D	105	87-A40-313-080	C-DIODE,MC 2840	A
D	106	87-A40-313-080	C-DIODE,MC 2840	A
D	103	87-A40-345-080	ZENER,MTZJ10C	A
D	109	87-A40-345-080	ZENER,MTZJ10C	A
D	104	87-A40-646-010	DIODE,FMB-G16L	A
D	107	87-A40-646-010	DIODE,FMB-G16L	A
D	112	87-020-465-080	DIODE,1SS133 (110MA)	A
D	113	87-020-465-080	DIODE,1SS133 (110MA)	A
D	110	87-020-465-080	DIODE,1SS133 (110MA)	A
D	111	87-020-465-080	DIODE,1SS133 (110MA)	A
D	114	87-020-465-080	DIODE,1SS133 (110MA)	A
D	203	87-020-465-080	DIODE,1SS133 (110MA)	A
D	206	87-020-465-080	DIODE,1SS133 (110MA)	A
D	202	87-020-465-080	DIODE,1SS133 (110MA)	A
D	204	87-020-465-080	DIODE,1SS133 (110MA)	A
D	205	87-020-465-080	DIODE,1SS133 (110MA)	A
D	201	87-020-465-080	DIODE,1SS133 (110MA)	A
D	207	87-A40-488-080	DIODE,1SS244	A
D	208	87-A40-488-080	DIODE,1SS244	A
D	212	87-A40-270-080	C-DIODE,MC2838	A
D	299	87-020-465-080	DIODE,1SS133 (110MA)	A
D	294	87-A40-269-080	C-DIODE,MC2836	A
D	298	87-A40-270-080	C-DIODE,MC2838	A
Q	5	87-026-610-080	TR,KTC3198GR	A

ELECTRICAL MAIN PARTS LIST - 4/13

Q	7	87-A30-075-080	C-TR, 2SA1235F	A
Q	6	87-A30-076-080	C-TR, 2SC3052F	A
Q	4	89-213-702-010	TR, 2SB1370 (1.8W)	A
Q	103	87-A30-074-080	C-TR, RT1P 141C	A
Q	106	87-A30-074-080	C-TR, RT1P 141C	A
Q	105	87-A30-075-080	C-TR, 2SA1235F	A
Q	104	87-A30-076-080	C-TR, 2SC3052F	A
Q	107	87-A30-107-070	C-TR, CMBT5401	A
Q	102	87-A30-186-010	FET, 2SK3053	A
Q	101	87-A30-186-010	FET, 2SK3053	A
Q	204	87-A30-076-080	C-TR, 2SC3052F	A
Q	205	87-A30-076-080	C-TR, 2SC3052F	A
Q	203	87-A30-076-080	C-TR, 2SC3052F	A
Q	206	87-A30-076-080	C-TR, 2SC3052F	A
Q	208	87-A30-107-070	C-TR, CMBT5401	A
Q	201	87-A30-107-070	C-TR, CMBT5401	A
Q	207	87-A30-107-070	C-TR, CMBT5401	A
Q	202	87-A30-107-070	C-TR, CMBT5401	A
Q	209	87-A30-190-080	TR, CC5551	A
Q	218	87-A30-107-070	C-TR, CMBT5401	A
Q	211	87-A30-107-070	C-TR, CMBT5401	A
Q	210	87-A30-190-080	TR, CC5551	A
Q	215	87-A30-374-010	TR, 2SB1588A	A
Q	214	87-A30-374-010	TR, 2SB1588A	A
Q	213	87-A30-374-010	TR, 2SB1588A	A
Q	216	87-A30-374-010	TR, 2SB1588A	A
Q	217	87-A30-375-010	TR, 2SD2439A	A
Q	212	87-A30-375-010	TR, 2SD2439A	A
Q	219	87-A30-375-010	TR, 2SD2439A	A
Q	223	87-A30-076-080	C-TR, 2SC3052F	A
Q	226	87-A30-076-080	C-TR, 2SC3052F	A
Q	224	87-A30-076-080	C-TR, 2SC3052F	A
Q	225	87-A30-076-080	C-TR, 2SC3052F	A
Q	220	87-A30-375-010	TR, 2SD2439A	A
Q	299	87-A30-106-080	C-TR, CMBT5551	A
Q	297	87-A30-107-070	C-TR, CMBT5401	A
Q	298	87-A30-107-070	C-TR, CMBT5401	A
D	404	87-020-465-080	DIODE, 1SS133 (110MA)	A
D	406	87-020-465-080	DIODE, 1SS133 (110MA)	A
D	402	87-020-465-080	DIODE, 1SS133 (110MA)	A
D	401	87-020-465-080	DIODE, 1SS133 (110MA)	A
D	405	87-020-465-080	DIODE, 1SS133 (110MA)	A
D	403	87-020-465-080	DIODE, 1SS133 (110MA)	A
D	407	87-A40-488-080	DIODE, 1SS244	A
D	408	87-A40-488-080	DIODE, 1SS244	A
D	412	87-A40-270-080	C-DIODE, MC2838	A
D	497	87-020-465-080	DIODE, 1SS133 (110MA)	A
D	499	87-020-465-080	DIODE, 1SS133 (110MA)	A
D	494	87-A40-269-080	C-DIODE, MC2836	A
D	493	87-A40-269-080	C-DIODE, MC2836	A
D	498	87-A40-270-080	C-DIODE, MC2838	A
D	601	87-020-465-080	DIODE, 1SS133 (110MA)	A
D	609	87-020-465-080	DIODE, 1SS133 (110MA)	A
D	605	87-020-465-080	DIODE, 1SS133 (110MA)	A
D	603	87-020-465-080	DIODE, 1SS133 (110MA)	A
D	611	87-A40-488-080	DIODE, 1SS244	A
D	703	87-020-465-080	DIODE, 1SS133 (110MA)	A
D	706	87-020-465-080	DIODE, 1SS133 (110MA)	A
D	702	87-020-465-080	DIODE, 1SS133 (110MA)	A
D	704	87-020-465-080	DIODE, 1SS133 (110MA)	A
D	705	87-020-465-080	DIODE, 1SS133 (110MA)	A
D	701	87-020-465-080	DIODE, 1SS133 (110MA)	A
D	709	87-A40-488-080	DIODE, 1SS244	A
D	712	87-A40-270-080	C-DIODE, MC2838	A
D	710	87-A40-488-080	DIODE, 1SS244	A
Q	306	87-A30-074-080	C-TR, RT1P 141C	A
Q	307	87-A30-107-070	C-TR, CMBT5401	A
Q	406	87-A30-076-080	C-TR, 2SC3052F	A
Q	405	87-A30-076-080	C-TR, 2SC3052F	A
Q	403	87-A30-076-080	C-TR, 2SC3052F	A
Q	404	87-A30-076-080	C-TR, 2SC3052F	A
Q	407	87-A30-107-070	C-TR, CMBT5401	A
Q	402	87-A30-107-070	C-TR, CMBT5401	A
Q	401	87-A30-107-070	C-TR, CMBT5401	A
Q	408	87-A30-107-070	C-TR, CMBT5401	A
Q	409	87-A30-190-080	TR, CC5551	A
Q	419	87-A30-097-010	TR, FN 1016	A
Q	413	87-A30-098-010	TR, FP 1016	A
Q	414	87-A30-098-010	TR, FP 1016	A
Q	417	87-A30-107-070	C-TR, CMBT5401	A
Q	418	87-A30-107-070	C-TR, CMBT5401	A
Q	410	87-A30-190-080	TR, CC5551	A
Q	425	87-A30-076-080	C-TR, 2SC3052F	A
Q	426	87-A30-076-080	C-TR, 2SC3052F	A
Q	424	87-A30-076-080	C-TR, 2SC3052F	A
Q	423	87-A30-076-080	C-TR, 2SC3052F	A
Q	420	87-A30-097-010	TR, FN 1016	A

ELECTRICAL MAIN PARTS LIST - 5/13

Q	499	87-A30-106-080	C-TR,CMBT5551	A
Q	498	87-A30-107-070	C-TR,CMBT5401	A
Q	497	87-A30-107-070	C-TR,CMBT5401	A
Q	506	87-A30-074-080	C-TR,RT1P 141C	A
Q	507	87-A30-107-070	C-TR,CMBT5401	A
Q	601	87-A30-075-080	C-TR,2SA1235F	A
Q	607	87-A30-075-080	C-TR,2SA1235F	A
Q	609	87-A30-076-080	C-TR,2SC3052F	A
Q	605	87-A30-076-080	C-TR,2SC3052F	A
Q	603	87-A30-076-080	C-TR,2SC3052F	A
Q	615	87-A30-097-010	TR, FN 1016	A
Q	613	87-A30-098-010	TR, FP 1016	A
Q	617	87-A30-107-070	C-TR,CMBT5401	A
Q	611	87-A30-190-080	TR,CC5551	A
Q	623	87-A30-076-080	C-TR,2SC3052F	A
Q	625	87-A30-076-080	C-TR,2SC3052F	A
Q	702	87-A30-075-080	C-TR,2SA1235F	A
Q	701	87-A30-075-080	C-TR,2SA1235F	A
Q	708	87-A30-075-080	C-TR,2SA1235F	A
Q	707	87-A30-075-080	C-TR,2SA1235F	A
Q	706	87-A30-076-080	C-TR,2SC3052F	A
Q	703	87-A30-076-080	C-TR,2SC3052F	A
Q	704	87-A30-076-080	C-TR,2SC3052F	A
Q	705	87-A30-076-080	C-TR,2SC3052F	A
Q	709	87-A30-076-080	C-TR,2SC3052F	A
Q	710	87-A30-076-080	C-TR,2SC3052F	A
Q	715	87-A30-097-010	TR, FN 1016	A
Q	716	87-A30-097-010	TR, FN 1016	A
Q	714	87-A30-098-010	TR, FP 1016	A
Q	713	87-A30-098-010	TR, FP 1016	A
Q	718	87-A30-107-070	C-TR,CMBT5401	A
Q	717	87-A30-107-070	C-TR,CMBT5401	A
Q	712	87-A30-190-080	TR,CC5551	A
Q	711	87-A30-190-080	TR,CC5551	A
Q	722	87-A30-075-080	C-TR,2SA1235F	A
Q	726	87-A30-076-080	C-TR,2SC3052F	A
Q	724	87-A30-076-080	C-TR,2SC3052F	A
Q	725	87-A30-076-080	C-TR,2SC3052F	A
Q	723	87-A30-076-080	C-TR,2SC3052F	A
D	901	87-070-136-080	ZENER,MTZJ5.1B	A
D	902	87-070-136-080	ZENER,MTZJ5.1B	A
D	903	87-070-136-080	ZENER,MTZJ5.1B	A
D	955	87-A40-313-080	C-DIODE,MC 2840	A
D	953	87-A40-313-080	C-DIODE,MC 2840	A
IC	903	87-017-726-080	IC,BU4052 BCF	A
IC	904	87-017-915-080	IC,BU4094BCF	A
IC	902	87-017-917-080	IC,BU4066BCF	A
IC	901	87-A20-820-010	IC,BA7625	A
Q	904	87-A30-074-080	C-TR,RT1P 141C	A
Q	905	87-A30-074-080	C-TR,RT1P 141C	A
Q	901	87-A30-075-080	C-TR,2SA1235F	A
Q	903	87-A30-075-080	C-TR,2SA1235F	A
Q	902	87-A30-075-080	C-TR,2SA1235F	A
C	1	87-010-388-090	CAP,E 1000-25 SME	A
C	7	87-A10-479-080	CAP,CER 2200P-250 M E KH	A
C	5	87-A11-148-080	CAP,TC U 0.1-50 Z F	A
C	6	87-A11-148-080	CAP,TC U 0.1-50 Z F	A
C	3	87-A11-148-080	CAP,TC U 0.1-50 Z F	A
C	4	87-A11-148-080	CAP,TC U 0.1-50 Z F	A
C	2	87-A11-148-080	CAP,TC U 0.1-50 Z F	A
C	8	87-A12-056-090	CAP,E 4700-35	A
C	9	87-A12-056-090	CAP,E 4700-35	A
C	16	87-A10-416-090	CAP,E 6800-80 SMG VB	A
C	11	87-A10-416-090	CAP,E 6800-80 SMG VB	A
C	10	87-A10-416-090	CAP,E 6800-80 SMG VB	A
C	17	87-A10-416-090	CAP,E 6800-80 SMG VB	A
C	13	87-A11-148-080	CAP,TC U 0.1-50 Z F	A
C	18	87-A11-148-080	CAP,TC U 0.1-50 Z F	A
C	15	87-A11-148-080	CAP,TC U 0.1-50 Z F	A
C	12	87-A11-148-080	CAP,TC U 0.1-50 Z F	A
C	14	87-A11-148-080	CAP,TC U 0.1-50 Z F	A
C	19	87-A11-148-080	CAP,TC U 0.1-50 Z F	A
C	20	87-010-403-080	CAP, ELECT 3.3-50V	A
C	21	87-A11-148-080	CAP,TC U 0.1-50 Z F	A
C	22	87-A11-148-080	CAP,TC U 0.1-50 Z F	A
CN	5	87-099-674-010	CONN,2P VA V	A
CN	4	87-A60-129-010	CONN 3P V VA B3P5 VH	A
CN	3	87-A60-645-010	CONN,3P V VH	A
CN	2	87-A60-850-010	CONN,7P V VH	A
CN	6	87-A60-937-010	CONN,2P V VH	A
CN	1	87-A61-110-010	CONN,9P V TID-A	A
PR	9	87-026-682-080	PROTECTOR,10A 60V491	A
PR	7	87-026-682-080	PROTECTOR,10A 60V491	A
PR	2	87-026-682-080	PROTECTOR,10A 60V491	A
PR	8	87-026-682-080	PROTECTOR,10A 60V491	A
PR	4	87-026-682-080	PROTECTOR,10A 60V491	A
PR	1	87-026-682-080	PROTECTOR,10A 60V491	A

ELECTRICAL MAIN PARTS LIST - 6/13

PR	6	87-026-682-080	PROTECTOR,10A 60V491	A
PR	5	87-026-682-080	PROTECTOR,10A 60V491	A
PR	3	87-026-682-080	PROTECTOR,10A 60V491	A
PR	10	87-026-682-080	PROTECTOR,10A 60V491	A
PT	2	8Z-NF8-663-010	PT,SUB ZNF-8(H)	A
RY	2	87-A91-339-010	RELAY,AC DC12V G5PA-2	A
C	103	87-010-178-080	CHIP CAP 1000P	A
C	102	87-010-263-040	CAP,E 100-10	A
C	101	87-010-263-040	CAP,E 100-10	A
C	106	87-010-313-080	CAP, CHIP 18P	A
C	105	87-010-316-080	C-CAP,S 33P-50 CH	A
C	108	87-010-498-040	CAP,E 10-16 GAS	A
C	109	87-010-805-080	CAP, S 1-16	A
C	107	87-012-157-080	C-CAP,S 330P-50 CH	A
C	119	87-010-196-080	CHIP CAPACITOR,0.1-25	A
C	115	87-010-198-080	CAP, CHIP 0.022	A
C	116	87-010-400-040	CAP,E 0.47-50	A
C	117	87-010-498-040	CAP,E 10-16 GAS	A
C	114	87-015-785-080	CHIP CAPACITOR, 0.1FZ-25Z	A
C	112	87-016-081-080	C-CAP,S 0.1-16 RK	A
C	113	87-A10-189-040	CAP,E 220-10	A
C	118	87-A10-189-040	CAP,E 220-10	A
C	122	87-010-178-080	CHIP CAP 1000P	A
C	123	87-010-196-080	CHIP CAPACITOR,0.1-25	A
C	126	87-010-196-080	CHIP CAPACITOR,0.1-25	A
C	127	87-010-196-080	CHIP CAPACITOR,0.1-25	A
C	125	87-010-196-080	CHIP CAPACITOR,0.1-25	A
C	124	87-010-196-080	CHIP CAPACITOR,0.1-25	A
C	121	87-012-368-080	C-CAP,S 0.1-50 F	A
C	130	87-010-196-080	CHIP CAPACITOR,0.1-25	A
C	202	87-010-196-080	CHIP CAPACITOR,0.1-25	A
C	203	87-010-406-040	CAP,E 22-50 SME	A
C	221	87-010-421-040	CAP,E 4.7-50 5L	A
C	222	87-010-421-040	CAP,E 4.7-50 5L	A
C	224	87-012-369-080	C-CAP,S 0.047-50F	A
C	223	87-A10-797-040	CAP,E 47-35 M 5L SRM	A
C	253	87-010-193-080	CHIP CAPACITOR,0.033	A
C	251	87-010-244-040	CAP,E 22-16 5L	A
C	252	87-012-365-080	C-CAP,S 0.027-25VBK	A
C	267	87-012-140-080	CAP 470P	A
C	266	87-012-140-080	CAP 470P	A
C	261	87-012-140-080	CAP 470P	A
C	263	87-012-140-080	CAP 470P	A
C	268	87-012-140-080	CAP 470P	A
C	265	87-012-140-080	CAP 470P	A
C	264	87-012-140-080	CAP 470P	A
C	262	87-012-140-080	CAP 470P	A
C	269	87-012-140-080	CAP 470P	A
C	270	87-012-140-080	CAP 470P	A
C	274	87-012-140-080	CAP 470P	A
C	275	87-012-140-080	CAP 470P	A
C	272	87-012-140-080	CAP 470P	A
C	271	87-012-140-080	CAP 470P	A
C	273	87-012-140-080	CAP 470P	A
C	276	87-012-140-080	CAP 470P	A
C	281	87-016-044-040	CAP,E 100-16 GAS	A
C	386	87-010-196-080	CHIP CAPACITOR,0.1-25	A
C	387	87-010-196-080	CHIP CAPACITOR,0.1-25	A
C	383	87-010-196-080	CHIP CAPACITOR,0.1-25	A
C	384	87-010-196-080	CHIP CAPACITOR,0.1-25	A
C	385	87-010-196-080	CHIP CAPACITOR,0.1-25	A
C	382	87-012-158-080	C-CAP,S 390P-50 CH	A
C	652	87-010-183-080	C-CAP,S 2700P-50 B	A
C	651	87-010-213-080	C-CAP,S 0.015-50 B	A
C	704	87-010-071-040	CAP,E 1-50 M 5L SRE	A
C	703	87-010-071-040	CAP,E 1-50 M 5L SRE	A
C	702	87-010-196-080	CHIP CAPACITOR,0.1-25	A
C	701	87-010-196-080	CHIP CAPACITOR,0.1-25	A
C	705	87-010-498-040	CAP,E 10-16 GAS	A
C	706	87-010-498-040	CAP,E 10-16 GAS	A
C	723	87-010-071-040	CAP,E 1-50 M 5L SRE	A
C	724	87-010-071-040	CAP,E 1-50 M 5L SRE	A
C	728	87-010-196-080	CHIP CAPACITOR,0.1-25	A
C	721	87-010-196-080	CHIP CAPACITOR,0.1-25	A
C	722	87-010-196-080	CHIP CAPACITOR,0.1-25	A
C	727	87-010-263-040	CAP,E 100-10	A
C	726	87-010-498-040	CAP,E 10-16 GAS	A
C	725	87-010-498-040	CAP,E 10-16 GAS	A
C	743	87-010-071-040	CAP,E 1-50 M 5L SRE	A
C	744	87-010-071-040	CAP,E 1-50 M 5L SRE	A
C	742	87-010-196-080	CHIP CAPACITOR,0.1-25	A
C	741	87-010-196-080	CHIP CAPACITOR,0.1-25	A
C	746	87-010-498-040	CAP,E 10-16 GAS	A
C	745	87-010-498-040	CAP,E 10-16 GAS	A
CN	102	87-A60-138-010	CONN,13P V FE	A
CN	101	87-A60-142-010	CONN,17P V FE	A
CN	201	87-A60-140-010	CONN,15P V FE	A

ELECTRICAL MAIN PARTS LIST - 7/13

CN	501	87-A60-586-010	CONN,4P V FE	A
CN	502	87-A60-673-010	CONN,9P H 2MM JMT	A
CN	901	87-A60-138-010	CONN,13P V FE	A
CNA	101	8A-MTM-636-010	CONN ASSY,4P DISP	A
FL	201	8A-MTM-605-010	FL,BJ733GK	A
FL	202	8A-MTM-606-010	FL,BJ734GK	A
L	101	87-A50-333-010	COIL,OSC 9.43MHZ	A
L	250	8A-MTM-607-010	COIL,OSC-FL 20KHZ	A
CNA	302	87-A60-619-010	CONN,2P V 2MM JMT	A
S	355	87-A90-095-080	SW,TACT EVQ11G04M	A
S	353	87-A90-095-080	SW,TACT EVQ11G04M	A
S	354	87-A90-095-080	SW,TACT EVQ11G04M	A
S	352	87-A90-095-080	SW,TACT EVQ11G04M	A
C	186	87-010-182-080	C-CAP,S 2200P-50 B	A
C	184	87-010-182-080	C-CAP,S 2200P-50 B	A
C	183	87-010-197-080	CAP,CHIP 0.01 DM	A
C	185	87-010-197-080	CAP,CHIP 0.01 DM	A
C	181	87-012-157-080	C-CAP,S 330P-50 CH	A
C	401	87-010-196-080	CHIP CAPACITOR,0.1-25	A
C	402	87-010-196-080	CHIP CAPACITOR,0.1-25	A
C	404	87-010-319-080	C-CAP,S 56P-50 CH	A
C	403	87-010-319-080	C-CAP,S 56P-50 CH	A
C	405	87-010-319-080	C-CAP,S 56P-50 CH	A
C	406	87-010-322-080	C-CAP,S 100P-50 CH	A
C	407	87-010-322-080	C-CAP,S 100P-50 CH	A
C	408	87-010-322-080	C-CAP,S 100P-50 CH	A
C	409	87-A11-733-080	C-CAP,S 1-16 Z F	A
CN	202	87-A60-163-010	CONN,15P H FE	A
CN	402	87-099-564-010	CONN,4P TUC-P4P-B1	A
CN	403	87-099-564-010	CONN,4P TUC-P4P-B1	A
CN	404	87-099-564-010	CONN,4P TUC-P4P-B1	A
CN	405	87-099-564-010	CONN,4P TUC-P4P-B1	A
CN	453	87-A60-688-010	CONN,4P H GRY TUC-P04X-C1	A
CN	452	87-A60-688-010	CONN,4P H GRY TUC-P04X-C1	A
CN	451	87-A60-688-010	CONN,4P H GRY TUC-P04X-C1	A
CN	454	87-A60-688-010	CONN,4P H GRY TUC-P04X-C1	A
CNA	301	88-802-021-620	CONN ASSY,2P	A
CNA	601	88-805-031-090	CONN ASSY,3P	A
CNA	602	88-805-041-890	CONN ASSY,4P	A
LED	293	87-A40-317-080	LED,SLR-342VCT31 RED	A
LED	403	87-A40-317-080	LED,SLR-342VCT31 RED	A
LED	404	87-A40-317-080	LED,SLR-342VCT31 RED	A
LED	401	87-A40-317-080	LED,SLR-342VCT31 RED	A
LED	402	87-A40-317-080	LED,SLR-342VCT31 RED	A
LED	405	87-A40-317-080	LED,SLR-342VCT31 RED	A
LED	419	87-A40-496-040	LED,SLR-342MCT31 GRN	A
LED	417	87-A40-496-040	LED,SLR-342MCT31 GRN	A
LED	418	87-A40-496-040	LED,SLR-342MCT31 GRN	A
LED	416	87-A40-496-040	LED,SLR-342MCT31 GRN	A
LED	420	87-A40-496-040	LED,SLR-342MCT31 GRN	A
LED	421	87-A40-496-040	LED,SLR-342MCT31 GRN	A
LED	452	87-A40-786-080	LED,SMLS1BE16WTP4 BLU/UMB	A
LED	451	87-A40-786-080	LED,SMLS1BE16WTP4 BLU/UMB	A
LED	453	87-A40-786-080	LED,SMLS1BE16WTP4 BLU/UMB	A
LED	454	87-A40-786-080	LED,SMLS1BE16WTP4 BLU/UMB	A
S	101	87-A91-589-010	SW,RTRY RE0121PVJOG	A
S	102	87-A91-590-010	SW,RTRY RE0121PVVOL	A
S	301	87-A90-095-080	SW,TACT EVQ11G04M	A
S	307	87-A90-095-080	SW,TACT EVQ11G04M	A
S	308	87-A90-095-080	SW,TACT EVQ11G04M	A
S	303	87-A90-095-080	SW,TACT EVQ11G04M	A
S	309	87-A90-095-080	SW,TACT EVQ11G04M	A
S	305	87-A90-095-080	SW,TACT EVQ11G04M	A
S	302	87-A90-095-080	SW,TACT EVQ11G04M	A
S	304	87-A90-095-080	SW,TACT EVQ11G04M	A
S	306	87-A90-095-080	SW,TACT EVQ11G04M	A
S	310	87-A90-095-080	SW,TACT EVQ11G04M	A
S	311	87-A90-095-080	SW,TACT EVQ11G04M	A
S	323	87-A90-095-080	SW,TACT EVQ11G04M	A
S	329	87-A90-095-080	SW,TACT EVQ11G04M	A
S	322	87-A90-095-080	SW,TACT EVQ11G04M	A
S	327	87-A90-095-080	SW,TACT EVQ11G04M	A
S	328	87-A90-095-080	SW,TACT EVQ11G04M	A
S	325	87-A90-095-080	SW,TACT EVQ11G04M	A
S	324	87-A90-095-080	SW,TACT EVQ11G04M	A
S	326	87-A90-095-080	SW,TACT EVQ11G04M	A
S	321	87-A90-095-080	SW,TACT EVQ11G04M	A
S	330	87-A90-095-080	SW,TACT EVQ11G04M	A
S	333	87-A90-095-080	SW,TACT EVQ11G04M	A
S	332	87-A90-095-080	SW,TACT EVQ11G04M	A
S	331	87-A90-095-080	SW,TACT EVQ11G04M	A
S	334	87-A90-095-080	SW,TACT EVQ11G04M	A
S	341	87-A90-095-080	SW,TACT EVQ11G04M	A
S	349	87-A90-095-080	SW,TACT EVQ11G04M	A
S	342	87-A90-095-080	SW,TACT EVQ11G04M	A
S	347	87-A90-095-080	SW,TACT EVQ11G04M	A
S	344	87-A90-095-080	SW,TACT EVQ11G04M	A

ELECTRICAL MAIN PARTS LIST - 8/13

S	346	87-A90-095-080	SW,TACT EVQ11G04M	A
S	345	87-A90-095-080	SW,TACT EVQ11G04M	A
S	343	87-A90-095-080	SW,TACT EVQ11G04M	A
S	350	87-A90-095-080	SW,TACT EVQ11G04M	A
S	351	87-A90-095-080	SW,TACT EVQ11G04M	A
S	356	87-A90-095-080	SW,TACT EVQ11G04M	A
C	801	87-010-170-080	S CHIP SL 220P(K)	A
C	804	87-010-191-080	C-CAP,S 0.015-50 F	A
C	806	87-010-494-040	CAP,E 1-50 GAS	A
C	811	87-010-552-040	CAP,E 22-16 GAS	A
C	810	87-010-555-040	CAP,E 100-10 GAS	A
L	802	87-005-151-080	COIL,2.2UH	A
L	801	87-A50-093-010	COIL,CLOCK 5.76MHZ	A
C	608	87-010-178-080	CHIP CAP 1000P	A
C	609	87-010-178-080	CHIP CAP 1000P	A
C	601	87-010-186-080	CAP,CHIP 4700P	A
C	607	87-010-196-080	CHIP CAPACITOR,0.1-25	A
C	605	87-010-196-080	CHIP CAPACITOR,0.1-25	A
C	603	87-010-320-080	CHIP CAP 68P	A
C	604	87-010-492-040	CAP,E 0.33-50 GAS	A
C	602	87-010-498-040	CAP,E 10-16 GAS	A
C	606	87-016-044-040	CAP,E 100-16 GAS	A
CN	601	87-A60-620-010	CONN,3P V 2MM JMT	A
J	602	87-099-659-010	JACK,6.3 JY-6314-01130	A
J	601	87-099-659-010	JACK,6.3 JY-6314-01130	A
C	735	87-010-178-080	CHIP CAP 1000P	A
C	733	87-010-196-080	CHIP CAPACITOR,0.1-25	A
C	732	87-010-196-080	CHIP CAPACITOR,0.1-25	A
C	736	87-010-196-080	CHIP CAPACITOR,0.1-25	A
C	731	87-010-498-080	CAP,E 10-16 GAS	A
C	734	87-012-156-080	C-CAP,S 220P-50 CH	A
C	741	87-010-178-080	CHIP CAP 1000P	A
C	740	87-010-322-080	C-CAP,S 100P-50 CH	A
C	802	87-010-176-080	C-CAP,S 680P-50 SL	A
C	801	87-010-176-080	C-CAP,S 680P-50 SL	A
C	809	87-010-196-080	CHIP CAPACITOR,0.1-25	A
C	807	87-010-401-080	CAP, ELECT 1-50V	A
C	808	87-010-401-080	CAP, ELECT 1-50V	A
C	803	87-010-958-080	CHIP -CAP,S 0.01-25BJ	A
C	805	87-010-958-080	CHIP -CAP,S 0.01-25BJ	A
C	804	87-010-958-080	CHIP -CAP,S 0.01-25BJ	A
C	806	87-010-958-080	CHIP -CAP,S 0.01-25BJ	A
C	812	87-010-070-080	47UF 50V, ELECTROLYTIC	A
C	811	87-010-070-080	47UF 50V, ELECTROLYTIC	A
C	810	87-010-112-080	CAP, ELECT 100-16V	A
C	817	87-010-221-080	CAP, ELECT 470-10V	A
C	813	87-010-401-080	CAP, ELECT 1-50V	A
C	816	87-010-492-080	CAP,E 0.33-50 M 5L SRE	A
C	815	87-010-492-080	CAP,E 0.33-50 M 5L SRE	A
C	814	87-010-494-080	CAP ELECT GAS 1/50	A
C	819	87-A10-800-080	C-CAP,S 6800P-16 J B CM	A
C	818	87-A10-891-080	CAP,E 4.7-25 SME(K)	A
C	821	87-010-196-080	CHIP CAPACITOR,0.1-25	A
C	825	87-010-196-080	CHIP CAPACITOR,0.1-25	A
C	824	87-010-374-080	CAP, ELECT 47-10V	A
C	820	87-010-374-080	CAP, ELECT 47-10V	A
C	829	87-010-544-080	CAP, ELECT 0.1-50V	A
C	822	87-A10-804-080	C-CAP,S 0.1-25 J B	A
C	839	87-010-805-080	CAP, S 1-16	A
C	831	87-010-971-080	C-CAP,S 4700P-50 B J	A
C	837	87-010-971-080	C-CAP,S 4700P-50 B J	A
C	832	87-012-349-080	C-CAP,S 1000P-50 CH	A
C	838	87-012-349-080	C-CAP,S 1000P-50 CH	A
C	830	87-016-492-080	C-CAP,S 0.33-16 FZ	A
C	834	87-A11-182-080	C-CAP,S 0.27-16 J B	A
C	835	87-A11-182-080	C-CAP,S 0.27-16 J B	A
C	836	87-A11-183-080	C-CAP,S 0.12-16 J B	A
C	840	87-010-401-080	CAP, ELECT 1-50V	A
C	846	87-010-404-080	CAP, ELECT 4.7-50V	A
C	847	87-010-404-080	CAP, ELECT 4.7-50V	A
C	845	87-012-393-080	C-CAP,S 0.22-16 R K	A
C	848	87-012-393-080	C-CAP,S 0.22-16 R K	A
C	849	87-012-393-080	C-CAP,S 0.22-16 R K	A
C	844	87-012-393-080	C-CAP,S 0.22-16 R K	A
C	843	87-A10-229-080	C-CAP,S 0.68-10 K W5	A
C	841	87-A10-799-080	C-CAP,S 5600P-16 J B CM	A
C	842	87-A10-802-080	C-CAP,S 0.047-16 J B CM	A
C	859	87-010-402-080	CAP, ELECT 2.2-50V	A
C	853	87-016-081-080	C-CAP,S 0.1-16 RK	A
C	850	87-016-081-080	C-CAP,S 0.1-16 RK	A
C	857	87-016-081-080	C-CAP,S 0.1-16 RK	A
C	854	87-016-081-080	C-CAP,S 0.1-16 RK	A
C	856	87-A10-801-080	C-CAP,S 0.022-16 J B CM	A
C	855	87-A10-801-080	C-CAP,S 0.022-16 J B CM	A
C	851	87-A10-802-080	C-CAP,S 0.047-16 J B CM	A
C	852	87-A10-802-080	C-CAP,S 0.047-16 J B CM	A
C	861	87-010-196-080	CHIP CAPACITOR,0.1-25	A

ELECTRICAL MAIN PARTS LIST - 9/13

C	863	87-010-196-080	CHIP CAPACITOR,0.1-25	A
C	867	87-016-492-080	C-CAP,S 0.33-16 FZ	A
C	868	87-A10-060-080	C-CAP,S 0.18-16 K B	A
C	879	87-010-179-080	CAP,CHIP S B1200P	A
C	878	87-010-404-080	CAP, ELECT 4.7-50V	A
C	880	87-010-179-080	CAP,CHIP S B1200P	A
C	881	87-010-179-080	CAP,CHIP S B1200P	A
C	882	87-010-179-080	CAP,CHIP S B1200P	A
CNA	802	8Z-NFU-631-010	CONN ASSY,2P V DA	A
J	831	87-A61-069-010	JACK,PIN 6P R/W,R/W, O/B MSC	A
R	807	87-022-214-080	C-RES S100K-1/10WF	A
C	307	87-010-196-080	CHIP CAPACITOR,0.1-25	A
C	303	87-012-157-080	C-CAP,S 330P-50 CH	A
C	304	87-012-157-080	C-CAP,S 330P-50 CH	A
C	315	87-010-178-080	CHIP CAP 1000P	A
C	316	87-010-178-080	CHIP CAP 1000P	A
C	311	87-010-198-080	CAP, CHIP 0.022	A
C	312	87-010-198-080	CAP, CHIP 0.022	A
C	319	87-012-141-080	CHIP-CAPACITOR,0.22-16F	A
C	318	87-012-142-080	CAP, S 0.33-16	A
C	317	87-012-142-080	CAP, S 0.33-16	A
C	324	87-010-260-080	CAP, ELECT 47-25V	A
C	325	87-010-370-080	CAP,E 330-6.3 SME	A
C	328	87-010-404-080	CAP, ELECT 4.7-50V	A
C	327	87-010-404-080	CAP, ELECT 4.7-50V	A
C	320	87-012-141-080	CHIP-CAPACITOR,0.22-16F	A
C	321	87-012-141-080	CHIP-CAPACITOR,0.22-16F	A
C	322	87-012-141-080	CHIP-CAPACITOR,0.22-16F	A
C	332	87-010-196-080	CHIP CAPACITOR,0.1-25	A
C	337	87-010-196-080	CHIP CAPACITOR,0.1-25	A
C	339	87-010-196-080	CHIP CAPACITOR,0.1-25	A
C	335	87-010-401-080	CAP, ELECT 1-50V	A
C	336	87-010-401-080	CAP, ELECT 1-50V	A
C	340	87-010-196-080	CHIP CAPACITOR,0.1-25	A
C	354	87-010-175-080	CAP 560P	A
C	355	87-010-178-080	CHIP CAP 1000P	A
C	358	87-010-183-080	C-CAP,S 2700P-50 B	A
C	359	87-010-183-080	C-CAP,S 2700P-50 B	A
C	357	87-010-197-080	CAP, CHIP 0.01 DM	A
C	356	87-010-260-080	CAP, ELECT 47-25V	A
C	352	87-012-140-080	CAP 470P	A
C	351	87-012-140-080	CAP 470P	A
C	360	87-010-183-080	C-CAP,S 2700P-50 B	A
C	374	87-010-180-080	C-CER 1500P	A
C	373	87-010-180-080	C-CER 1500P	A
C	372	87-010-181-080	CAP,CHIP S 1800P	A
C	371	87-010-181-080	CAP,CHIP S 1800P	A
C	370	87-010-196-080	CHIP CAPACITOR,0.1-25	A
C	378	87-010-196-080	CHIP CAPACITOR,0.1-25	A
C	375	87-010-545-080	CAP, ELECT 0.22-50V	A
C	376	87-010-545-080	CAP, ELECT 0.22-50V	A
C	385	87-010-184-080	CHIP CAPACITOR 3300P(K)	A
C	386	87-010-196-080	CHIP CAPACITOR,0.1-25	A
C	381	87-010-197-080	CAP, CHIP 0.01 DM	A
C	383	87-010-197-080	CAP, CHIP 0.01 DM	A
C	382	87-010-318-080	C-CAP,S 47P-50 CH	A
C	384	87-010-402-080	CAP, ELECT 2.2-50V	A
C	388	87-012-156-080	C-CAP,S 220P-50 CH	A
CN	351	87-A60-625-010	CONN,8P V 2MM JMT	A
L	301	87-A50-049-010	COIL,TRAP 85K(COI)	A
L	302	87-A50-049-010	COIL,TRAP 85K(COI)	A
L	351	87-007-342-010	COIL,OSC 85K BIAS	A
SFR	304	87-024-355-080	SFR,33K DIA6 H	A
SFR	303	87-024-355-080	SFR,33K DIA6 H	A
SFR	305	87-024-356-080	SFR,47K DIA6 H	A
SFR	306	87-024-356-080	SFR,47K DIA6 H	A
SFR	351	87-024-356-080	SFR,47K DIA6 H	A
SFR	352	87-024-356-080	SFR,47K DIA6 H	A
C	407	87-010-188-080	CAP,CHIP 6800P	A
C	408	87-010-188-080	CAP,CHIP 6800P	A
C	401	87-010-196-080	CHIP CAPACITOR,0.1-25	A
C	402	87-010-260-080	CAP, ELECT 47-25V	A
C	406	87-010-404-080	CAP, ELECT 4.7-50V	A
C	403	87-010-404-080	CAP, ELECT 4.7-50V	A
C	405	87-010-404-080	CAP, ELECT 4.7-50V	A
C	404	87-010-404-080	CAP, ELECT 4.7-50V	A
C	409	87-012-140-080	CAP 470P	A
C	417	87-010-195-080	C-CAP,S 0.068-25 F	A
C	415	87-010-197-080	CAP, CHIP 0.01 DM	A
C	416	87-010-197-080	CAP, CHIP 0.01 DM	A
C	419	87-010-260-080	CAP, ELECT 47-25V	A
C	412	87-010-404-080	CAP, ELECT 4.7-50V	A
C	414	87-010-404-080	CAP, ELECT 4.7-50V	A
C	413	87-010-404-080	CAP, ELECT 4.7-50V	A
C	411	87-010-404-080	CAP, ELECT 4.7-50V	A
C	418	87-010-956-080	CHIP-CAP,S 0.068-25B	A
C	410	87-012-140-080	CAP 470P	A

ELECTRICAL MAIN PARTS LIST - 10/13

C	421	87-012-140-080	CAP 470P	A
C	422	87-012-140-080	CAP 470P	A
C	106	87-010-322-080	C-CAP,S 100P-50 CH	A
C	105	87-010-322-080	C-CAP,S 100P-50 CH	A
C	104	87-010-401-080	CAP, ELECT 1-50V	A
C	103	87-010-401-080	CAP, ELECT 1-50V	A
C	113	87-010-187-080	CAP CHIP S5600P	A
C	112	87-010-187-080	CAP CHIP S5600P	A
C	115	87-010-196-080	CHIP CAPACITOR,0.1-25	A
C	116	87-010-196-080	CHIP CAPACITOR,0.1-25	A
C	121	87-010-405-080	CAP, ELECT 10-50V	A
C	120	87-010-405-080	CAP, ELECT 10-50V	A
C	137	87-010-322-080	C-CAP,S 100P-50 CH	A
C	138	87-010-322-080	C-CAP,S 100P-50 CH	A
C	149	87-010-197-080	CAP, CHIP 0.01 DM	A
C	148	87-010-197-080	CAP, CHIP 0.01 DM	A
C	159	87-010-196-080	CHIP CAPACITOR,0.1-25	A
C	158	87-010-322-080	C-CAP,S 100P-50 CH	A
C	157	87-010-322-080	C-CAP,S 100P-50 CH	A
C	152	87-010-401-080	CAP, ELECT 1-50V	A
C	155	87-010-401-080	CAP, ELECT 1-50V	A
C	156	87-010-401-080	CAP, ELECT 1-50V	A
C	151	87-010-401-080	CAP, ELECT 1-50V	A
C	153	87-010-405-080	CAP, ELECT 10-50V	A
C	154	87-010-405-080	CAP, ELECT 10-50V	A
C	160	87-010-196-080	CHIP CAPACITOR,0.1-25	A
C	161	87-010-197-080	CAP, CHIP 0.01 DM	A
C	162	87-010-197-080	CAP, CHIP 0.01 DM	A
C	457	87-010-196-080	CHIP CAPACITOR,0.1-25	A
C	458	87-010-196-080	CHIP CAPACITOR,0.1-25	A
C	451	87-010-401-080	CAP, ELECT 1-50V	A
C	452	87-010-401-080	CAP, ELECT 1-50V	A
C	454	87-010-402-080	CAP, ELECT 2.2-50V	A
C	461	87-010-544-080	CAP, ELECT 0.1-50V	A
C	471	87-010-402-080	CAP, ELECT 2.2-50V	A
C	481	87-010-196-080	CHIP CAPACITOR,0.1-25	A
CNA	401	8A-MTM-646-010	CONN ASSY,10P LOWAMP-I/O	A
C	507	87-010-183-080	C-CAP,S 2700P-50 B	A
C	509	87-010-196-080	CHIP CAPACITOR,0.1-25	A
C	506	87-012-145-080	CAP, CHIP S 270P CH	A
C	505	87-012-145-080	CAP, CHIP S 270P CH	A
C	504	87-012-154-080	C-CAP,S 150P-50 CH	A
C	503	87-012-154-080	C-CAP,S 150P-50 CH	A
C	501	87-A10-060-080	C-CAP,S 0.18-16 K B	A
C	502	87-A10-060-080	C-CAP,S 0.18-16 K B	A
C	510	87-010-177-080	C-CAP,S 820P-50 SL	A
C	511	87-010-177-080	C-CAP,S 820P-50 SL	A
C	517	87-010-183-080	C-CAP,S 2700P-50 B	A
C	512	87-010-196-080	CHIP CAPACITOR,0.1-25	A
C	514	87-010-196-080	CHIP CAPACITOR,0.1-25	A
C	515	87-010-263-080	CAP, ELECT 100-10V	A
C	513	87-010-374-080	CAP, ELECT 47-10V	A
C	527	87-010-196-080	CHIP CAPACITOR,0.1-25	A
C	523	87-016-460-080	C-CAP,S 0.22-16 B	A
C	522	87-016-460-080	C-CAP,S 0.22-16 B	A
C	521	87-016-460-080	C-CAP,S 0.22-16 B	A
C	602	87-010-197-080	CAP, CHIP 0.01 DM	A
C	601	87-010-197-080	CAP, CHIP 0.01 DM	A
C	608	87-010-318-080	C-CAP,S 47P-50 CH	A
C	607	87-010-318-080	C-CAP,S 47P-50 CH	A
C	619	87-010-185-080	C-CAP,S 3900P-50 B	A
C	612	87-010-322-080	C-CAP,S 100P-50 CH	A
C	613	87-016-081-080	C-CAP,S 0.1-16 RK	A
C	614	87-016-081-080	C-CAP,S 0.1-16 RK	A
C	618	87-A10-301-080	CAP,M 0.033-50 J	A
C	617	87-A10-301-080	CAP,M 0.033-50 J	A
C	620	87-010-185-080	C-CAP,S 3900P-50 B	A
C	627	87-010-196-080	CHIP CAPACITOR,0.1-25	A
C	628	87-010-322-080	C-CAP,S 100P-50 CH	A
C	621	87-010-401-080	CAP, ELECT 1-50V	A
C	622	87-010-401-080	CAP, ELECT 1-50V	A
C	629	87-010-405-080	CAP, ELECT 10-50V	A
C	637	87-010-183-080	C-CAP,S 2700P-50 B	A
C	634	87-010-196-080	CHIP CAPACITOR,0.1-25	A
C	635	87-010-196-080	CHIP CAPACITOR,0.1-25	A
C	630	87-010-213-080	C-CAP,S 0.015-50 B	A
C	633	87-010-263-080	CAP, ELECT 100-10V	A
C	632	87-010-263-080	CAP, ELECT 100-10V	A
C	636	87-010-992-080	C-CAP,S 0.047-25 B	A
C	631	87-010-992-080	C-CAP,S 0.047-25 B	A
C	645	87-010-196-080	CHIP CAPACITOR,0.1-25	A
C	646	87-010-196-080	CHIP CAPACITOR,0.1-25	A
C	644	87-010-196-080	CHIP CAPACITOR,0.1-25	A
C	643	87-010-196-080	CHIP CAPACITOR,0.1-25	A
C	641	87-010-196-080	CHIP CAPACITOR,0.1-25	A
C	642	87-010-196-080	CHIP CAPACITOR,0.1-25	A
C	640	87-010-314-080	C-CAP,S 22P-50V	A

ELECTRICAL MAIN PARTS LIST - 11/13

C	677	87-010-196-080	CHIP CAPACITOR,0.1-25	A
C	678	87-010-196-080	CHIP CAPACITOR,0.1-25	A
C	680	87-010-196-080	CHIP CAPACITOR,0.1-25	A
C	681	87-010-197-080	CAP, CHIP 0.01 DM	A
CN	604	87-099-570-010	CONN,13P TUC-P13P-B1	A
CN	602	87-A60-131-010	CONN,6P V FE	A
CN	601	87-A60-138-010	CONN,13P V FE	A
CN	607	87-A60-140-010	CONN,15P V FE	A
CN	603	87-A60-142-010	CONN,17P V FE	A
CN	608	87-A60-621-010	CONN,4P V 2MM JMT	A
CN	606	87-A60-621-010	CONN,4P V 2MM JMT	A
CN	654	87-099-015-010	CONN,13P 6216V	A
CN	656	87-A60-130-010	CONN,5P V FE	A
CN	655	87-A60-130-010	CONN,5P V FE	A
CN	652	87-A60-131-010	CONN,6P V FE	A
CN	651	87-A60-131-010	CONN,6P V FE	A
CN	653	87-A60-138-010	CONN,13P V FE	A
CNA	601	8A-MTM-650-010	CONN ASSY,4P DISP-IN	A
J	601	87-099-625-010	JACK PIN 4P,RVS (KM)	A
R	653	87-010-805-080	CAP, S 1-16	A
R	654	87-010-805-080	CAP, S 1-16	A
C	4	87-012-368-080	C-CAP,S 0.1-50 F	A
C	5	87-012-368-080	C-CAP,S 0.1-50 F	A
C	3	87-012-368-080	C-CAP,S 0.1-50 F	A
C	6	87-012-368-080	C-CAP,S 0.1-50 F	A
C	2	87-012-369-080	C-CAP,S 0.047-50F	A
C	1	87-012-369-080	C-CAP,S 0.047-50F	A
C	9	87-A12-056-090	CAP,E 4700-35	A
C	10	87-A12-056-090	CAP,E 4700-35	A
C	23	87-010-247-080	CAP, ELECT 100-50V	A
C	24	87-010-247-080	CAP, ELECT 100-50V	A
C	29	87-010-247-080	CAP, ELECT 100-50V	A
C	26	87-010-263-080	CAP, ELECT 100-10V	A
C	22	87-010-385-080	CAP, ELECT 220-25V	A
C	21	87-010-385-080	CAP, ELECT 220-25V	A
C	25	87-010-430-080	CAP, ELECT 100-63	A
C	31	87-010-235-080	CAP,E 470-16 SME	A
C	30	87-010-235-080	CAP,E 470-16 SME	A
C	61	87-010-260-080	CAP, ELECT 47-25V	A
C	62	87-010-403-080	CAP, ELECT 3.3-50V	A
C	92	87-010-374-080	CAP, ELECT 47-10V	A
C	93	87-010-380-080	CAP, ELECT 47-16V	A
C	91	87-010-401-080	CAP, ELECT 1-50V	A
C	150	87-010-197-080	CAP, CHIP 0.01 DM	A
C	229	87-010-993-080	C-CAP,S 0.056-25 B	A
C	233	87-010-190-080	S CHIP F 0.01	A
C	234	87-010-190-080	S CHIP F 0.01	A
C	232	87-010-196-080	CHIP CAPACITOR,0.1-25	A
C	231	87-010-196-080	CHIP CAPACITOR,0.1-25	A
C	238	87-010-322-080	C-CAP,S 100P-50 CH	A
C	237	87-010-322-080	C-CAP,S 100P-50 CH	A
C	230	87-010-993-080	C-CAP,S 0.056-25 B	A
C	899	87-010-196-080	CHIP CAPACITOR,0.1-25	A
C	893	87-010-196-080	CHIP CAPACITOR,0.1-25	A
C	894	87-010-196-080	CHIP CAPACITOR,0.1-25	A
C	890	87-010-993-080	C-CAP,S 0.056-25 B	A
C	892	87-010-993-080	C-CAP,S 0.056-25 B	A
C	891	87-010-993-080	C-CAP,S 0.056-25 B	A
C	902	87-010-196-080	CHIP CAPACITOR,0.1-25	A
C	932	87-010-196-080	CHIP CAPACITOR,0.1-25	A
C	931	87-016-299-080	CAP,E 10-100 SME	A
C	933	87-016-299-080	CAP,E 10-100 SME	A
CN	2	87-A60-739-010	CONN,13P JL-BT	A
CN	1	87-A60-739-010	CONN,13P JL-BT	A
CN	91	87-A60-619-010	CONN,2P V 2MM JMT	A
CN	92	87-A60-619-010	CONN,2P V 2MM JMT	A
CNA	3	8A-MTM-647-010	CONN ASSY,2P VH-SUPPLY	A
CNA	1	8A-NF8-653-010	CONN ASSY,9P TID-A(480)	A
J	205	87-A60-751-010	JACK,PIN 2P R/W BLUE	A
J	206	87-A60-878-010	JACK,PIN 3P W/R/O HSP-243V4	A
J	202	87-A60-929-010	JACK,DIA6.3 BLK ST W/S TAI	A
L	201	87-003-383-010	COIL,1UH-S	A
L	202	87-003-383-010	COIL,1UH-S	A
R	145	87-A00-441-050	RES,270-1/2W J RP	A
R	146	87-A00-441-050	RES,270-1/2W J RP	A
R	143	87-A00-441-050	RES,270-1/2W J RP	A
R	144	87-A00-441-050	RES,270-1/2W J RP	A
WH	1	87-A90-510-010	HLDR,WIRE 2.5-9P	A
CNA	5	8A-MTM-639-010	CONN ASSY,2P AC-SW	A
CNA	6	8A-MTM-640-010	CONN ASSY,3P AC-SW	A
S	1	87-036-067-010	SLIDE SW (AC VOLTAGE) (H ONLY)	A
C	26	87-010-197-080	CAP, CHIP 0.01 DM	A
C	29	87-010-247-080	CAP, ELECT 100-50V	A
C	28	87-010-263-080	CAP, ELECT 100-10V	A
C	27	87-012-140-080	CAP 470P	A
C	30	87-010-394-080	CAP ELECT220-35V	A
C	102	87-010-196-080	CHIP CAPACITOR,0.1-25	A

ELECTRICAL MAIN PARTS LIST - 12/13

C	101	87-016-299-080	CAP,E 10-100 SME	A
C	103	87-016-299-080	CAP,E 10-100 SME	A
C	129	87-010-191-080	C-CAP,S 0.015-50 F	A
C	127	87-012-368-080	C-CAP,S 0.1-50 F	A
C	126	87-012-368-080	C-CAP,S 0.1-50 F	A
C	128	87-012-368-080	C-CAP,S 0.1-50 F	A
C	125	87-012-368-080	C-CAP,S 0.1-50 F	A
C	130	87-010-191-080	C-CAP,S 0.015-50 F	A
C	131	87-010-196-080	CHIP CAPACITOR,0.1-25	A
C	132	87-010-196-080	CHIP CAPACITOR,0.1-25	A
C	133	87-012-368-080	C-CAP,S 0.1-50 F	A
C	134	87-012-368-080	C-CAP,S 0.1-50 F	A
C	203	87-010-260-080	CAP, ELECT 47-25V	A
C	208	87-010-260-080	CAP, ELECT 47-25V	A
C	207	87-010-260-080	CAP, ELECT 47-25V	A
C	204	87-010-260-080	CAP, ELECT 47-25V	A
C	209	87-010-322-080	C-CAP,S 100P-50 CH	A
C	211	87-010-260-080	CAP, ELECT 47-25V	A
C	212	87-010-260-080	CAP, ELECT 47-25V	A
C	215	87-010-322-080	C-CAP,S 100P-50 CH	A
C	210	87-010-322-080	C-CAP,S 100P-50 CH	A
C	216	87-010-322-080	C-CAP,S 100P-50 CH	A
C	213	87-A10-812-080	C-CAP,S 220P-200 J CH	A
C	214	87-A10-812-080	C-CAP,S 220P-200 J CH	A
C	221	87-010-197-080	CAP, CHIP 0.01 DM	A
C	222	87-010-197-080	CAP, CHIP 0.01 DM	A
C	251	87-010-235-080	CAP,E 470-16 SME	A
C	297	87-010-186-080	CAP,CHIP 4700P	A
C	299	87-010-197-080	CAP, CHIP 0.01 DM	A
CN	102	87-099-410-010	CONN,10P V WHT EH	A
CNA	101	8A-MTM-638-010	CONN ASSY,7P LOW SUPPLY	A
J	201	87-A61-167-010	TERMINAL,SP 4P LTS0420-1002	A
L	102	87-003-383-010	COIL,1UH-S	A
L	101	87-003-383-010	COIL,1UH-S	A
R	227	87-A00-669-080	RES,M/F 0.22-2W J RA	A
R	228	87-A00-669-080	RES,M/F 0.22-2W J RA	A
R	230	87-A00-669-080	RES,M/F 0.22-2W J RA	A
R	239	87-A00-669-080	RES,M/F 0.22-2W J RA	A
R	240	87-A00-669-080	RES,M/F 0.22-2W J RA	A
R	241	87-A00-669-080	RES,M/F 0.22-2W J RA	A
R	253	87-A00-669-080	RES,M/F 0.22-2W J RA	A
R	254	87-A00-669-080	RES,M/F 0.22-2W J RA	A
TH	202	87-A91-042-080	C-THMS,100K 55001	A
TH	201	87-A91-042-080	C-THMS,100K 55001	A
C	406	87-010-186-080	CAP,CHIP 4700P	A
C	405	87-010-186-080	CAP,CHIP 4700P	A
C	409	87-010-322-080	C-CAP,S 100P-50 CH	A
C	407	87-010-405-080	CAP, ELECT 10-50V	A
C	404	87-010-405-080	CAP, ELECT 10-50V	A
C	408	87-010-405-080	CAP, ELECT 10-50V	A
C	403	87-010-405-080	CAP, ELECT 10-50V	A
C	412	87-010-260-080	CAP, ELECT 47-25V	A
C	411	87-010-260-080	CAP, ELECT 47-25V	A
C	410	87-010-322-080	C-CAP,S 100P-50 CH	A
C	414	87-A10-516-080	C-CAP,S 100P-200 J CH	A
C	413	87-A10-516-080	C-CAP,S 100P-200 J CH	A
C	421	87-010-182-080	C-CAP,S 2200P-50 B	A
C	422	87-010-182-080	C-CAP,S 2200P-50 B	A
C	423	87-012-368-080	C-CAP,S 0.1-50 F	A
C	426	87-012-368-080	C-CAP,S 0.1-50 F	A
C	425	87-012-368-080	C-CAP,S 0.1-50 F	A
C	424	87-012-368-080	C-CAP,S 0.1-50 F	A
C	451	87-010-235-080	CAP,E 470-16 SME	A
C	499	87-010-182-080	C-CAP,S 2200P-50 B	A
C	497	87-010-186-080	CAP,CHIP 4700P	A
C	605	87-010-186-080	CAP,CHIP 4700P	A
C	609	87-010-322-080	C-CAP,S 100P-50 CH	A
C	603	87-010-405-080	CAP, ELECT 10-50V	A
C	607	87-010-405-080	CAP, ELECT 10-50V	A
C	615	87-010-189-080	C-CAP,S 8200P-50 B	A
C	613	87-010-260-080	CAP, ELECT 47-25V	A
C	611	87-A10-516-080	C-CAP,S 100P-200 J CH	A
C	621	87-010-182-080	C-CAP,S 2200P-50 B	A
C	625	87-012-368-080	C-CAP,S 0.1-50 F	A
C	623	87-012-368-080	C-CAP,S 0.1-50 F	A
C	705	87-010-186-080	CAP,CHIP 4700P	A
C	706	87-010-186-080	CAP,CHIP 4700P	A
C	709	87-010-322-080	C-CAP,S 100P-50 CH	A
C	707	87-010-405-080	CAP, ELECT 10-50V	A
C	704	87-010-405-080	CAP, ELECT 10-50V	A
C	708	87-010-405-080	CAP, ELECT 10-50V	A
C	703	87-010-405-080	CAP, ELECT 10-50V	A
C	716	87-010-187-080	CAP CHIP S5600P	A
C	715	87-010-187-080	CAP CHIP S5600P	A
C	714	87-010-260-080	CAP, ELECT 47-25V	A
C	713	87-010-260-080	CAP, ELECT 47-25V	A
C	710	87-010-322-080	C-CAP,S 100P-50 CH	A

ELECTRICAL MAIN PARTS LIST - 13/13

C	711	87-A10-516-080	C-CAP,S 100P-200 J CH	A.....
C	712	87-A10-516-080	C-CAP,S 100P-200 J CH	A.....
C	720	87-010-182-080	C-CAP,S 2200P-50 B	A.....
C	721	87-010-182-080	C-CAP,S 2200P-50 B	A.....
C	723	87-012-368-080	C-CAP,S 0.1-50 F	A.....
C	724	87-012-368-080	C-CAP,S 0.1-50 F	A.....
C	725	87-012-368-080	C-CAP,S 0.1-50 F	A.....
C	726	87-012-368-080	C-CAP,S 0.1-50 F	A.....
CN	201	87-A60-727-010	CONN,13P JL-R	A.....
CN	202	87-A60-727-010	CONN,13P JL-R	A.....
L	601	87-003-383-010	COIL,1UH-S	A.....
L	701	87-003-383-010	COIL,1UH-S	A.....
L	702	87-003-383-010	COIL,1UH-S	A.....
R	428	87-A00-262-080	RES,M/F 0.15-2W J	A.....
R	427	87-A00-262-080	RES,M/F 0.15-2W J	A.....
R	439	87-A00-262-080	RES,M/F 0.15-2W J	A.....
R	440	87-A00-262-080	RES,M/F 0.15-2W J	A.....
R	627	87-A00-262-080	RES,M/F 0.15-2W J	A.....
R	641	87-A00-262-080	RES,M/F 0.15-2W J	A.....
R	727	87-A00-262-080	RES,M/F 0.15-2W J	A.....
R	728	87-A00-262-080	RES,M/F 0.15-2W J	A.....
R	739	87-A00-262-080	RES,M/F 0.15-2W J	A.....
R	740	87-A00-262-080	RES,M/F 0.15-2W J	A.....
TH	402	87-A91-042-080	C-THMS,100K 55001	A.....
TH	401	87-A91-042-080	C-THMS,100K 55001	A.....
TH	601	87-A91-042-080	C-THMS,100K 55001	A.....
TH	702	87-A91-042-080	C-THMS,100K 55001	A.....
TH	701	87-A91-042-080	C-THMS,100K 55001	A.....
C	907	87-010-196-080	CHIP CAPACITOR,0.1-25	A.....
C	906	87-010-260-080	CAP, ELECT 47-25V	A.....
C	909	87-010-371-040	CAP,E 470-6.3	A.....
C	908	87-010-387-080	CAP,E 470-25 SME	A.....
C	901	87-010-406-040	CAP,E 22-50 SME	A.....
C	902	87-010-406-040	CAP,E 22-50 SME	A.....
C	903	87-010-406-080	CAP, ELECT 22-50	A.....
C	905	87-010-406-080	CAP, ELECT 22-50	A.....
C	904	87-010-406-080	CAP, ELECT 22-50	A.....
C	917	87-010-196-080	CHIP CAPACITOR,0.1-25	A.....
C	918	87-010-196-080	CHIP CAPACITOR,0.1-25	A.....
C	915	87-010-196-080	CHIP CAPACITOR,0.1-25	A.....
C	912	87-010-196-080	CHIP CAPACITOR,0.1-25	A.....
C	914	87-010-196-080	CHIP CAPACITOR,0.1-25	A.....
C	913	87-010-196-080	CHIP CAPACITOR,0.1-25	A.....
C	916	87-010-196-080	CHIP CAPACITOR,0.1-25	A.....
C	919	87-010-318-080	C-CAP,S 47P-50 CH	A.....
C	911	87-010-371-040	CAP,E 470-6.3	A.....
C	910	87-010-371-080	CAP, ELECT 470-6.3V	A.....
C	920	87-010-196-080	CHIP CAPACITOR,0.1-25	A.....
C	954	87-010-188-080	CAP,CHIP 6800P	A.....
C	953	87-010-188-080	CAP,CHIP 6800P	A.....
C	952	87-010-196-080	CHIP CAPACITOR,0.1-25	A.....
C	951	87-010-196-080	CHIP CAPACITOR,0.1-25	A.....
CN	901	87-A60-130-010	CONN,5P V FE	A.....
CN	904	87-A60-140-010	CONN,15P V FE	A.....
CN	906	87-A60-594-010	CONN,17P TUC-P17X-B1	A.....
CN	905	87-A60-595-010	CONN,17P TUC-P17P-B1	A.....
CNA	901	87-A60-130-010	CONN,5P V FE	A.....
FB	951	83-XM1-617-080	C-COIL,BK2125HM601	A.....
J	902	87-A61-236-010	JACK,PIN 3P Y/R/W	A.....
J	905	87-A61-236-010	JACK,PIN 3P Y/R/W	A.....
J	903	87-A61-236-010	JACK,PIN 3P Y/R/W	A.....
J	904	87-A61-236-010	JACK,PIN 3P Y/R/W	A.....
J	901	87-A61-236-010	JACK,PIN 3P Y/R/W	A.....
J	951	87-A61-180-010	JACK,PIN 3P Y/W/R W/O SW G	A.....
L	901	87-003-152-080	COIL, 100UH	A.....
R	905	87-010-317-080	C-CAP,S 39P-50 CH	A.....

MECHANICAL PARTS LIST - 1/2

NOTE: The characters in the suffix column indicate the part usage.

HRJSM	REF.NO	PARTS NO.	DESCRIPTION	SUFFIX
.....XX.....				A.....
			KANRI	
			NO.	
		87-B00-002-010	BADGE,AIWA 30 ABS SIL	A.....
		8A-MHM-001-010	PANEL,FR 2(HR)	A.....
		8A-MHM-002-010	PANEL,REAR CD H21	A.....
		8A-MHM-003-010	PANEL,FR H21	A.....
		8A-MTM-001-110	CABI,FR	A.....
		8A-MTM-005-010	CABI,STEEL	A.....
		8A-MTM-006-010	CABI,REAR LH	A.....
		8A-MTM-042-010	PANEL,WINDOW	A.....
		8A-MTM-052-010	HLDR,FAN	A.....
		8A-MTM-061-010	PANEL,FR (21 EZ)	A.....
		8A-MTM-064-010	HLDR,PIN JACK	A.....
		8A-MTM-010-010	KEY,DOLBY	A.....
		8A-MTM-011-010	KEY,OPEN	A.....
		8A-MTM-013-010	KEY,ENTER	A.....
		8A-MTM-013-110	KEY,ENTER	A.....
		8A-MTM-014-010	KEY,RHYTHM	A.....
		8A-MTM-019-010	KEY,VF	A.....
		8A-MTM-020-010	KEY,BBE	A.....
		8A-MTM-031-010	KNOB,RTRY VOL	A.....
		8A-MTM-032-010	KNOB,RTRY JOG	A.....
		8A-MTM-063-010	KEY,VF(3)	A.....
		8A-MTM-069-010	KEY,ASSY POWER	A.....
		8A-MTM-070-010	KEY,ASSY FUN	A.....
		8A-MTM-072-010	KEY,ASSY PLAY U	A.....
		88-NF3-090-010	RING,FOOT	A.....
		8A-MHM-005-010	PANEL,TRAY CD H21	A.....
		8A-MTM-029-010	RING,VOL	A.....
		8A-MTM-033-010	PLATE,FUN	A.....
		8A-MTM-037-110	WINDOW,AMP	A.....
		8A-MTM-038-110	PLATE,FL	A.....
		8A-MTM-041-010	PANEL,TRAY DECK	A.....
		8A-MTM-043-010	PANEL,DOLBY	A.....
		8A-MTM-055-010	REFLECTOR,AMP	A.....
		8A-MTM-056-010	REFLECTOR,CD	A.....
		84-ZG1-245-210	CAP,OPTICAL	A.....
		87-064-185-010	HLDR,WIRE	A.....
		87-MA3-062-010	FOOT, H17	A.....
		87-NF4-221-010	HLDR,CABLE	A.....
		88-MA1-208-210	JOINT,CABI	A.....
		8A-MTM-204-010	HLDR,DECK	A.....
		8A-MTM-205-010	HLDR,PWB MAIN	A.....
		8A-MTM-206-110	HLDR,HT-SINK A	A.....
		8A-MTM-207-010	HLDR,HT-SINK B	A.....
		8A-MTM-208-010	HLDR,CHAS A	A.....
		8A-MTM-209-010	HLDR,CHAS B	A.....
		8A-MTM-212-010	GUIDE,PLAY	A.....
		8A-MTM-214-110	GUIDE,REFLECTOR CD	A.....
		8A-MTM-214-210	GUIDE,REFLECTOR CD	A.....
		8A-MTM-218-010	COVER, VOLTAGE	A.....
		8A-MTM-219-010	HLDR,PWB PT-S	A.....
		8A-MTM-220-010	HLDR,PWB PT-M	A.....
		8A-MTM-223-010	JOINT,CABI 2	A.....
		8A-MTM-227-010	COVER, PWB PT	A.....
		8A-MTM-228-010	HLDR,DECK 2	A.....
		81-MK1-210-010	S-SCREW,VFT2+3-16	A.....
		87-067-688-010	BVTT+3-6	A.....
		87-067-689-010	TAPPING SCREW, BVTT+3-8	A.....
		87-067-703-010	TAPPING SCREW, BVT2+3-10	A.....
		87-067-761-010	TAPPING SCREW, BVT2+3-10	A.....
		87-067-822-010	BVT2+3-20 W/O SLOT	A.....
		87-078-060-010	BVIT3PB+3-10	A.....
		87-078-191-010	S-SCREW,IT+4-10	A.....
		87-591-095-410	TAPPING SCREW, QIT+3-8 (GLD)	A.....
		87-NF4-224-010	S-SCREW,IT3B+3-8 CU	A.....
		8A-MTM-216-010	PLATE,EARTH FR	A.....
		8Z-NF3-210-010	GUIDE,FL	A.....
		87-067-579-010	TAPPING SCREW, BVT2+3-8	A.....
		87-067-579-010	TAPPING SCREW, BVT2+3-8	A.....
		87-067-579-010	TAPPING SCREW, BVT2+3-8	A.....
		87-067-703-010	TAPPING SCREW, BVT2+3-10	A.....
		87-A90-796-010	FAN,F614R-12MC-15-300MM	A.....
		88-904-401-110	FF-CABLE,4P 1.25	A.....
		88-905-281-110	FF-CABLE, 5P 1.25 280MM	A.....
		88-906-231-110	FF-CABLE, 6P 1.25 230MM	A.....
		88-906-701-110	FF-CABLE, 6P 1.25 700MM	A.....
		88-913-221-110	FF-CABLE, 13P 1.25 220MM	A.....
		88-913-301-110	FF-CABLE,13P-1.25	A.....
		88-915-161-110	FF-CABLE, 15P 1.25	A.....
		88-915-751-110	FF-CABLE,15P 1.25 750MM	A.....
		88-917-331-110	FF-CABLE,17P 1.25 330MM	A.....
		88-NF9-210-010	BUSHING,CORD-E	A.....

MECHANICAL PARTS LIST - 2/2

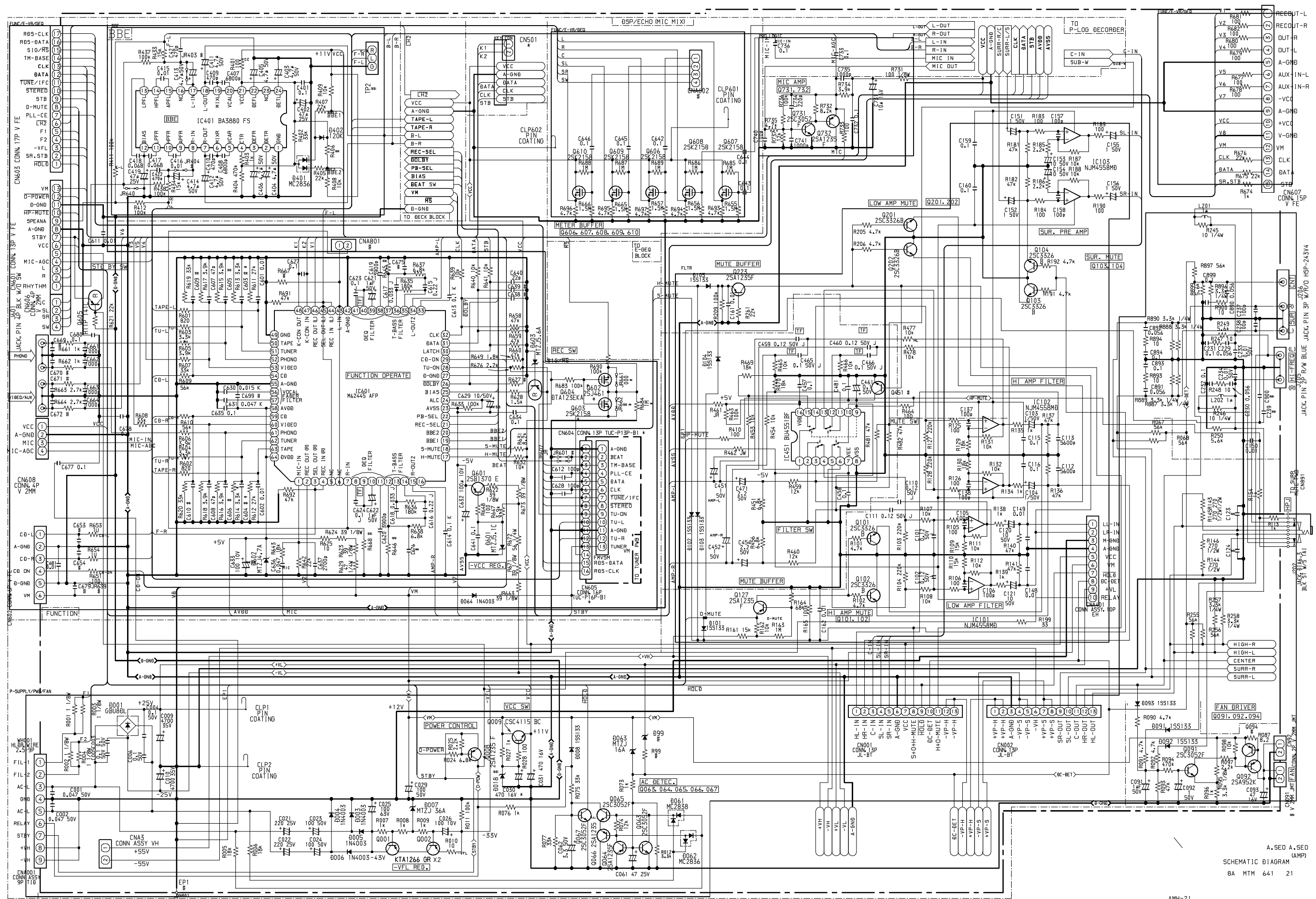
		8A-MHM-605-010	PT,HE	A.....
		8A-MTM-645-110	CONN ASSY,9P DECK-MECHA	A.....
		8A-MTM-649-010	AC CORD ASSY,EKH BLK	A.....
WH	1	87-A90-510-010	HLDR,WIRE 2.5-9P	A.....

ACCESSORIES / PACKAGE LIST - 1/1

NOTE: The characters in the suffix column indicate the part usage.

REF.NO	PARTS NO.	NO.	DESCRIPTION	SUFFIX
HRJSM		XX		A
		KANRI		
	8A-MHM-901-010		IB,H(ECA)M	A
	87-043-115-010		ANT,FEEDER FM	A
	87-050-103-010		CORD,PIN 1PY1.5M	A
	87-099-789-010		PLUG,ADPTR IR44	A
	87-A90-030-010		ANT,LOOP AM-NC C	A
	8A-MHM-703-010		RC UNIT,RC-AAS04(M)	.
	8A-MTM-701-010		RC UNIT,RC-AAS01(VS)	A

SCHEMATIC DIAGRAM - 1 (MAIN : 1/7) <AMP SECTION>



T-AMH-21MAIN (P1)

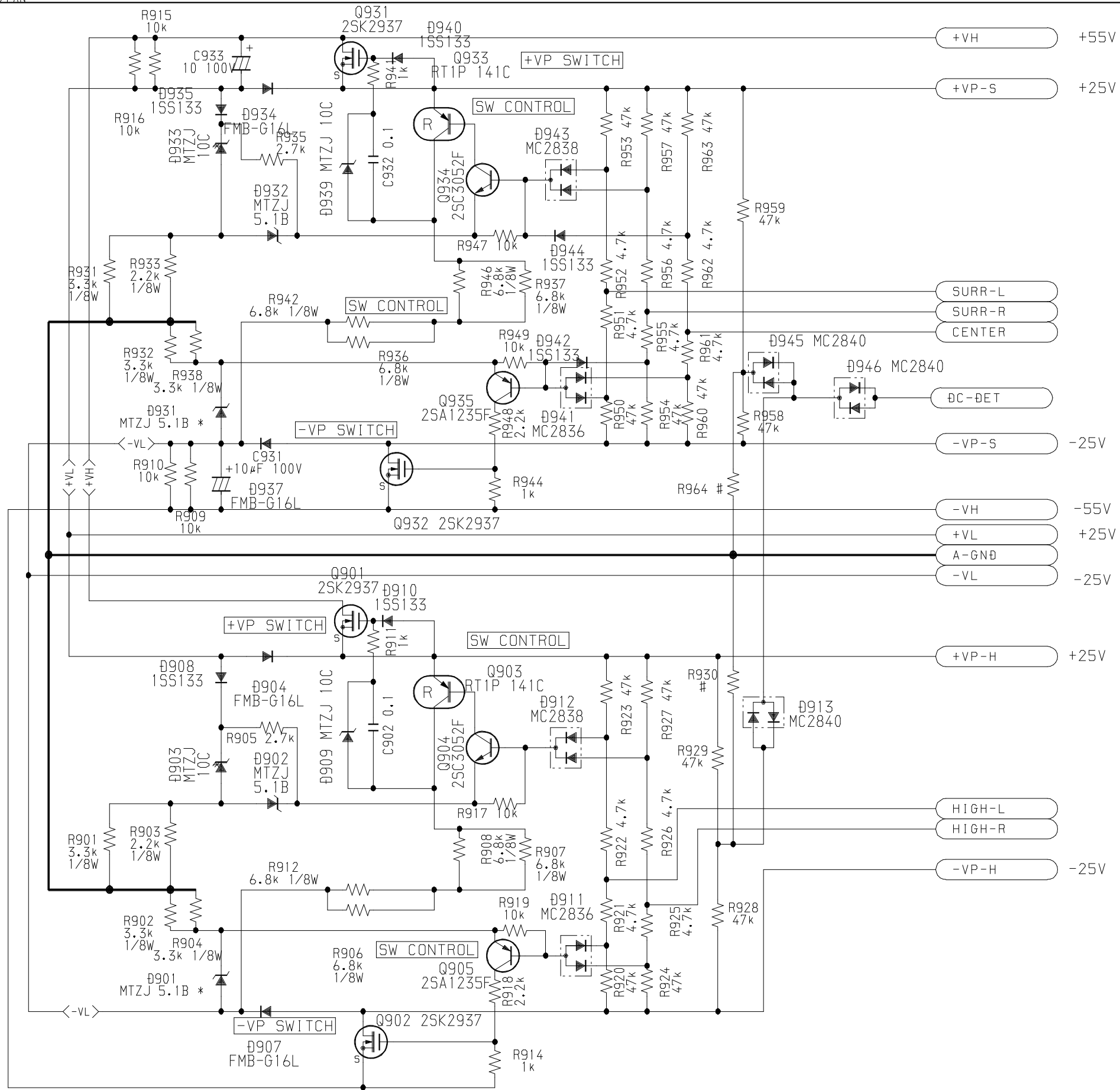
A.SEO A.SEO (AMP)
SCHEMATIC DIAGRAM
8A MTH 641 21

AMH-21

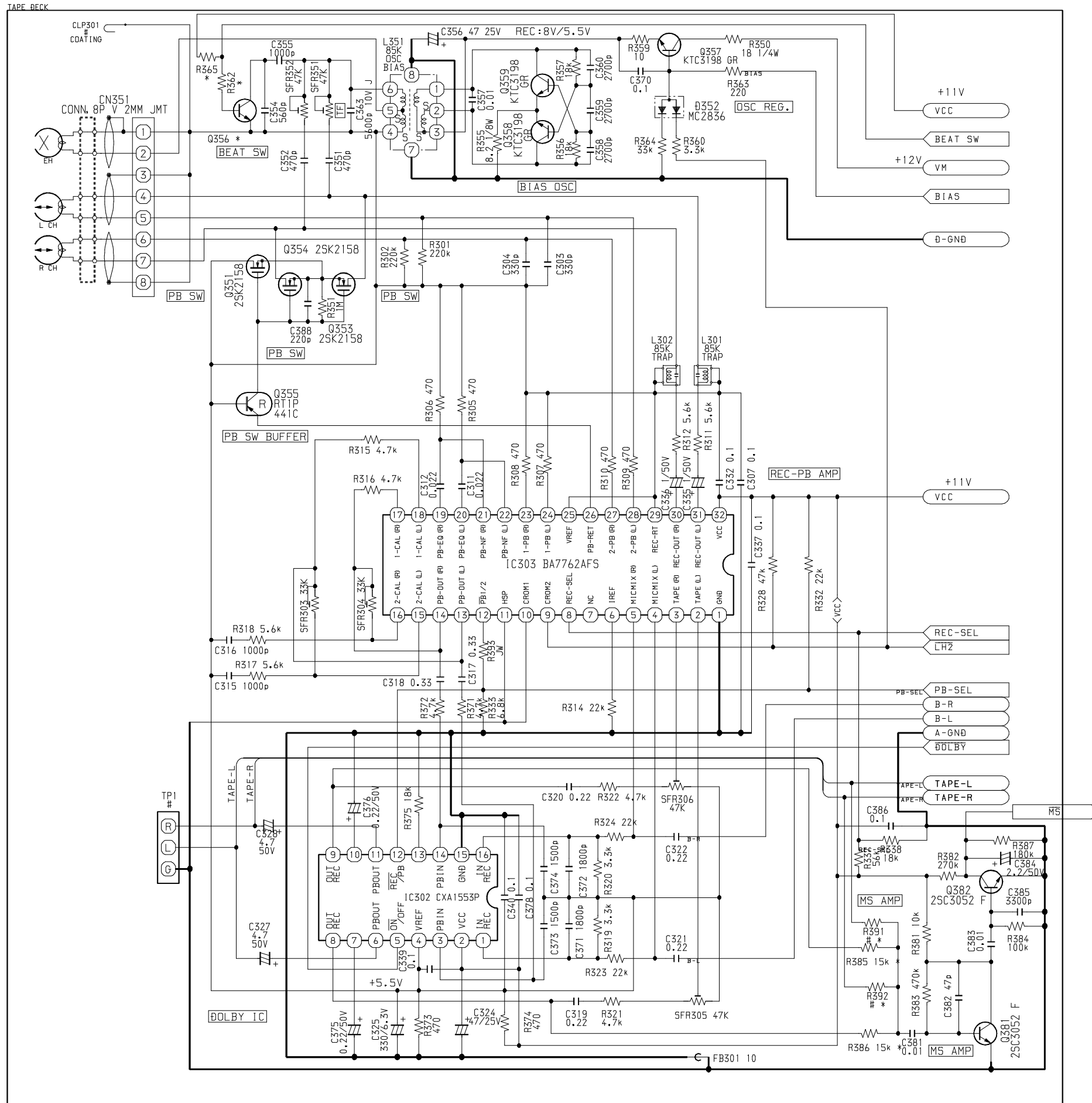
04 APR 2000

SCHEMATIC DIAGRAM - 2 (MAIN : 2/7) <POWER SUPPLY SECTION>

P-SUPPLY/PWB/FAN



SCHEMATIC DIAGRAM - 3 (MAIN : 3/7) <DECK SECTION>



	WITH DOLBY	W/O_DOLBY (R+R)	W/O_DOLBY (R+1_1+1)
JR303	C-JR	X	X
JR304	C-JR	X	X
C379	X	22/25	22/50
C380	X	22/50	22/50
C313	1200P	1000P	1500P
C314	1200P	1000P	1500P
R315	4.7K	5.6K	5.6K
R316	4.7K	5.6K	5.6K
R317	5.6K	5.6K	5.6K
R318	5.6K	5.6K	5.6K
C391	270P	56P	56P
C392	270P	56P	56P
C393	270P	56P	56P
C394	270P	56P	56P
R395	X	100K	100K
R396	X	100K	100K
R397	X	100K	100K
R398	X	100K	100K
SFR301	33K	X	X
SFR302	33K	X	X
SFR303	33K	X	X
SFR304	33K	X	X
C317	0.33 BK	C-JR	C-JR
C318	0.33 BK	C-JR	C-JR
R371	4.7K	39	39
R372	4.7K	39	39
C375	0.22/50	X	X
C376	0.22/50	X	X
R375	18K	X	X
JR301	X	C-JR	C-JR
JR302	X	C-JR	C-JR

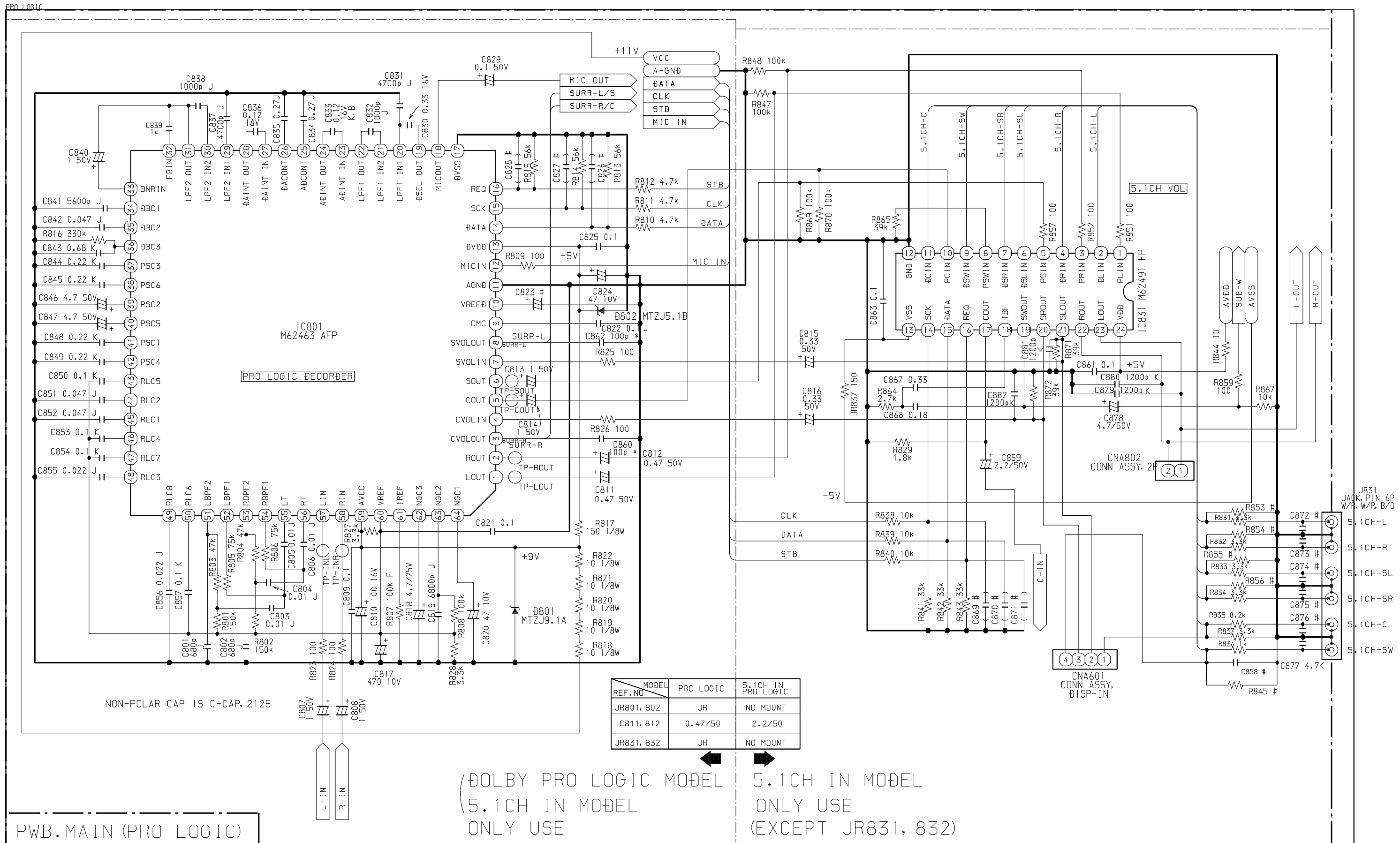
	WITH DOLBY	W/O_DOLBY (R+R_1+1)
IC302	CXA1553P	X
C309	X	0.1
C310	X	0.1
C319	0.22	X
C320	0.22	X
R321	4.7K	X
R322	4.7K	X
SFR305	50K	X
SFR306	50K	X
C371	820P	X
C372	820P	X
C373	1200P	0.15
C374	1200P	0.15
R319	4.7K	18K
R320	4.7K	18K
R323	22K	C-JR
R324	22K	C-JR
C321	0.22	0.33
C322	0.22	0.33
R335	27K	22K
R336	27K	22K
R391	X	15K
R392	X	15K
R385	15K	X
R386	15K	X
R383	470K	820K
C387	X	270P
C382	47P	15P
R389	C-JR	6.8K
Q383	X	2SA1235
C385	3300P	X

	EZ K MODEL	EXCEPT EZ K
Q356	2SC3052F	X
R362	4.7K	X
R365	10K	X

	EZ K MODEL	EXCEPT EZ
FB301	EM1BL01RN1	JW

A.SEO A.S5ED
SCHEMATIC DIAGRAM (DECK)

SCHEMATIC DIAGRAM-4 (MAIN : 4/7) <PRO LOGIC SECTION>



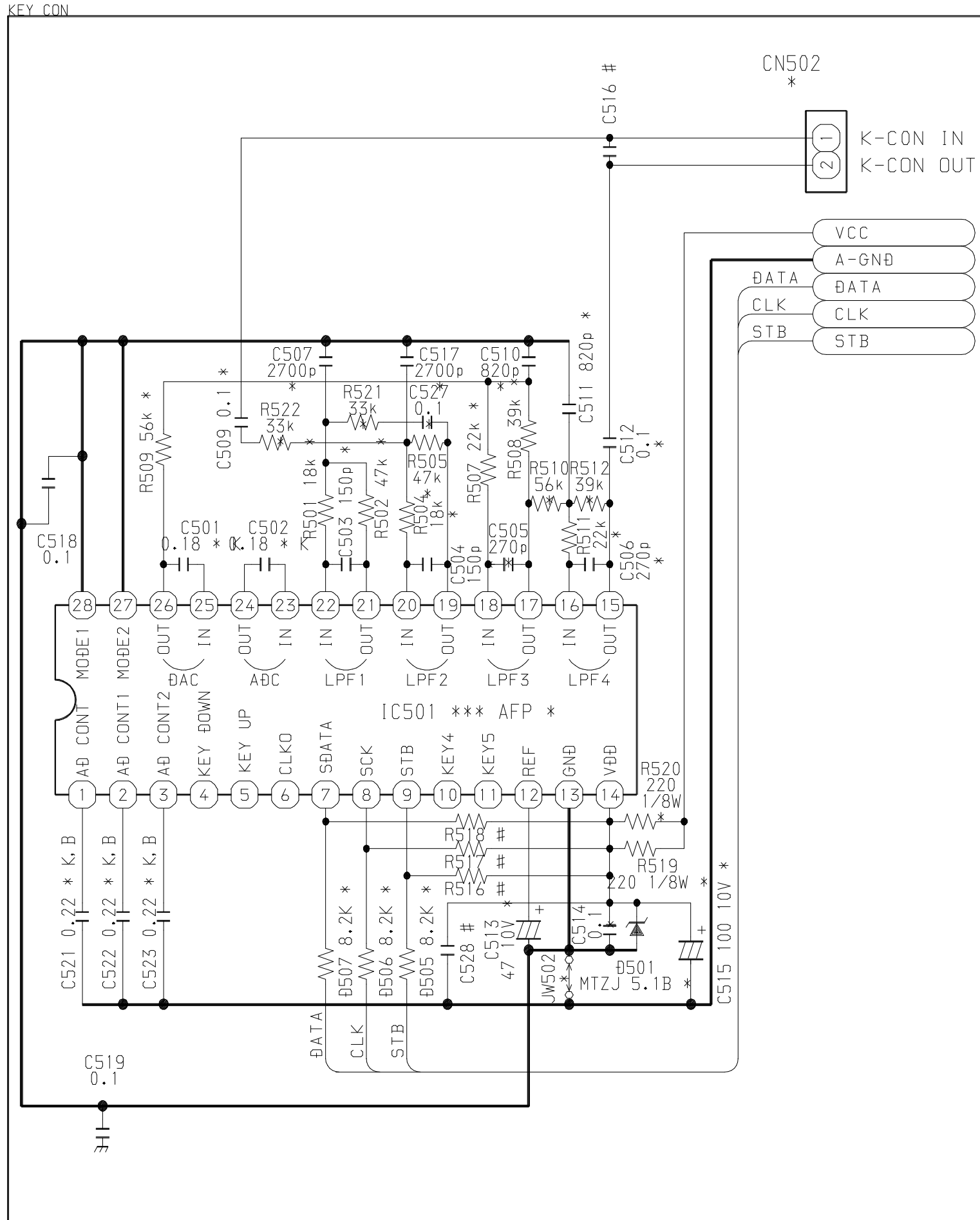
REF.NO	MODEL	PRO LOGIC	5.1CH IN PRO LOGIC
JR801, 802	JR		NO MOUNT
C811, 812		0.47/50	2.2/50
JR831, 832	JR		NO MOUNT

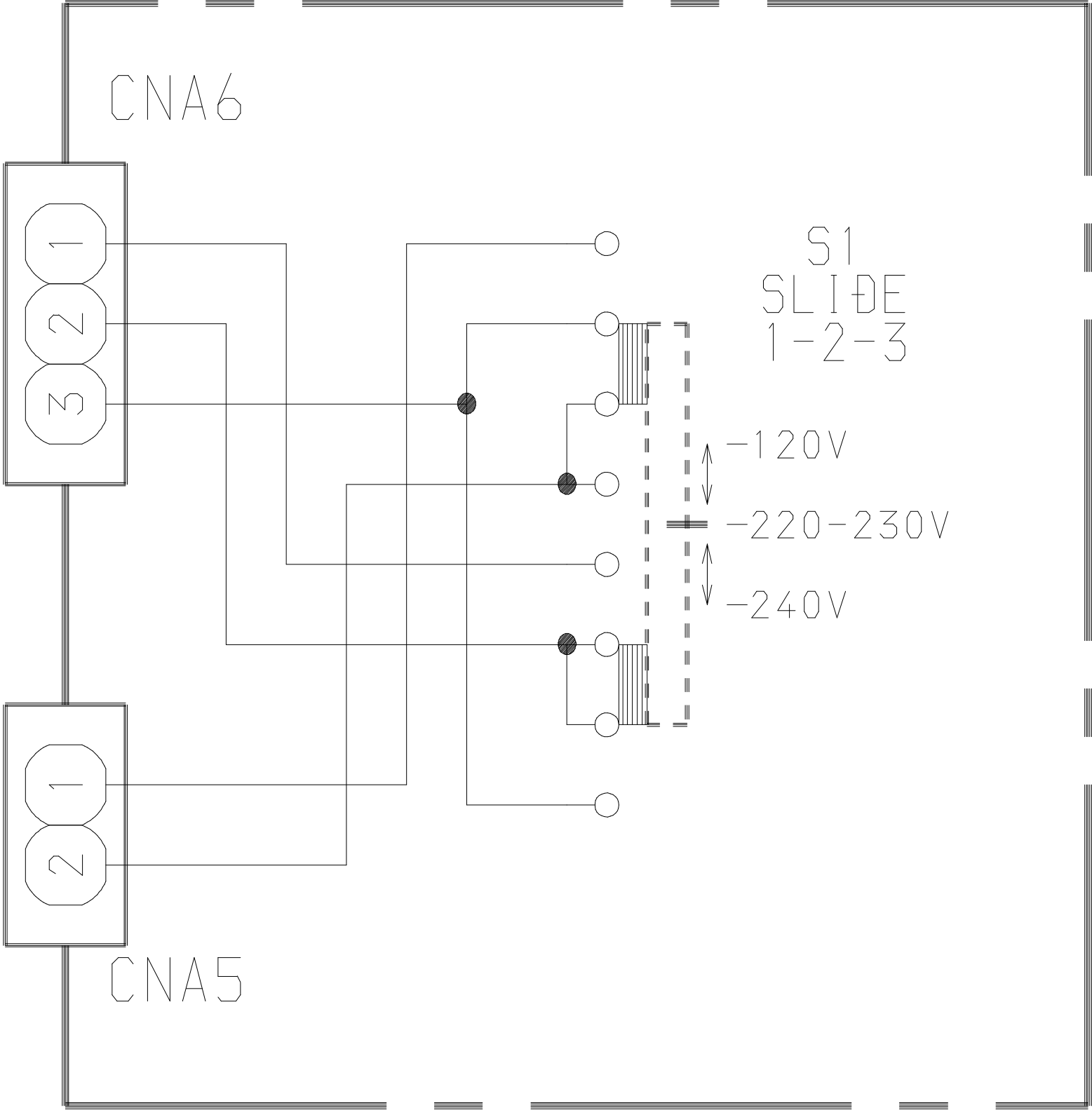
(DOLBY PRO LOGIC MODEL
 5.1CH IN MODEL
 ONLY USE

 5.1CH IN MODEL
 ONLY USE
 (EXCEPT JR831, 832)

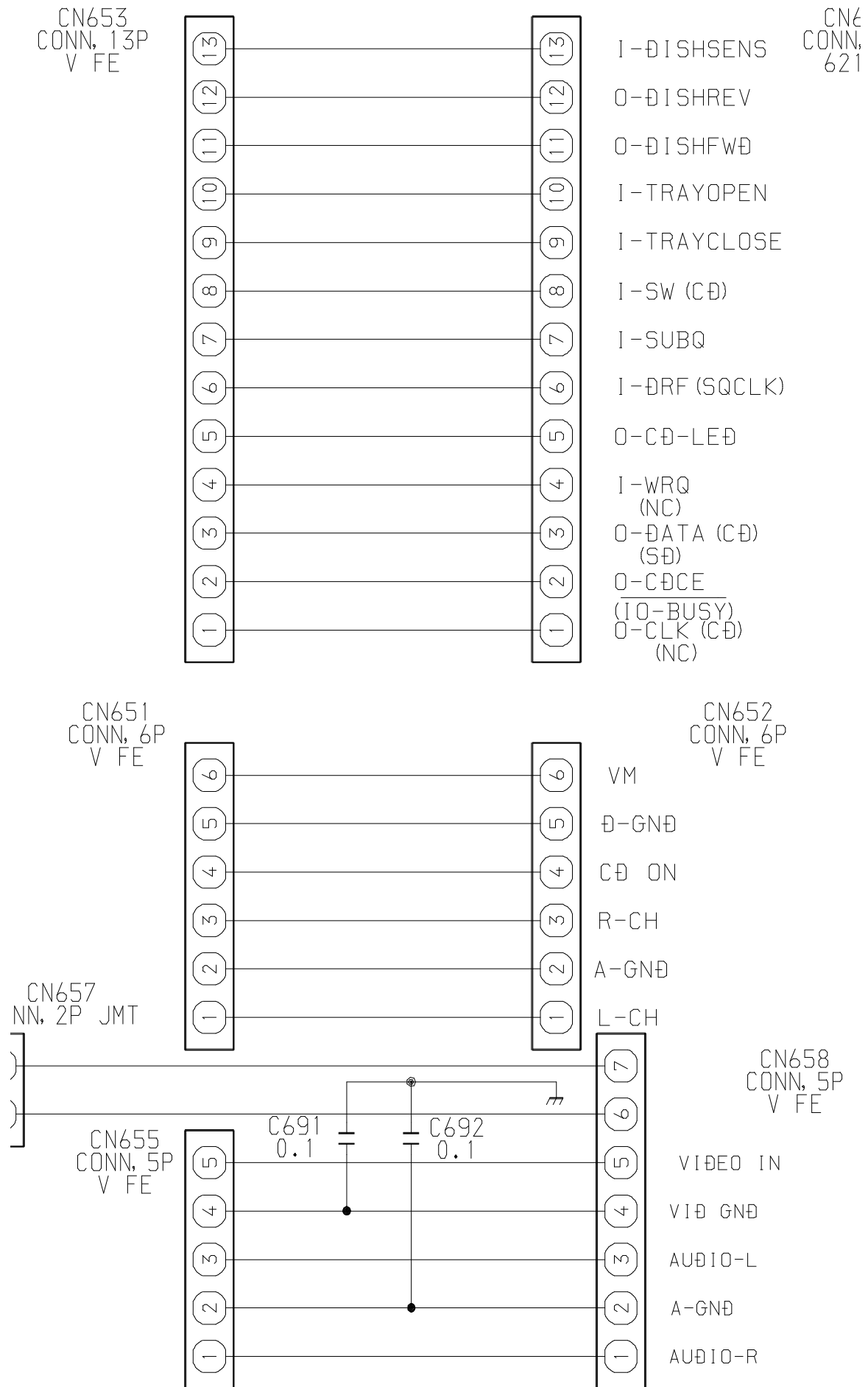
PWB.MAIN (PRO LOGIC)

SCHEMATIC DIAGRAM-5 (MAIN : 5/7) <KEY CON SECTION>

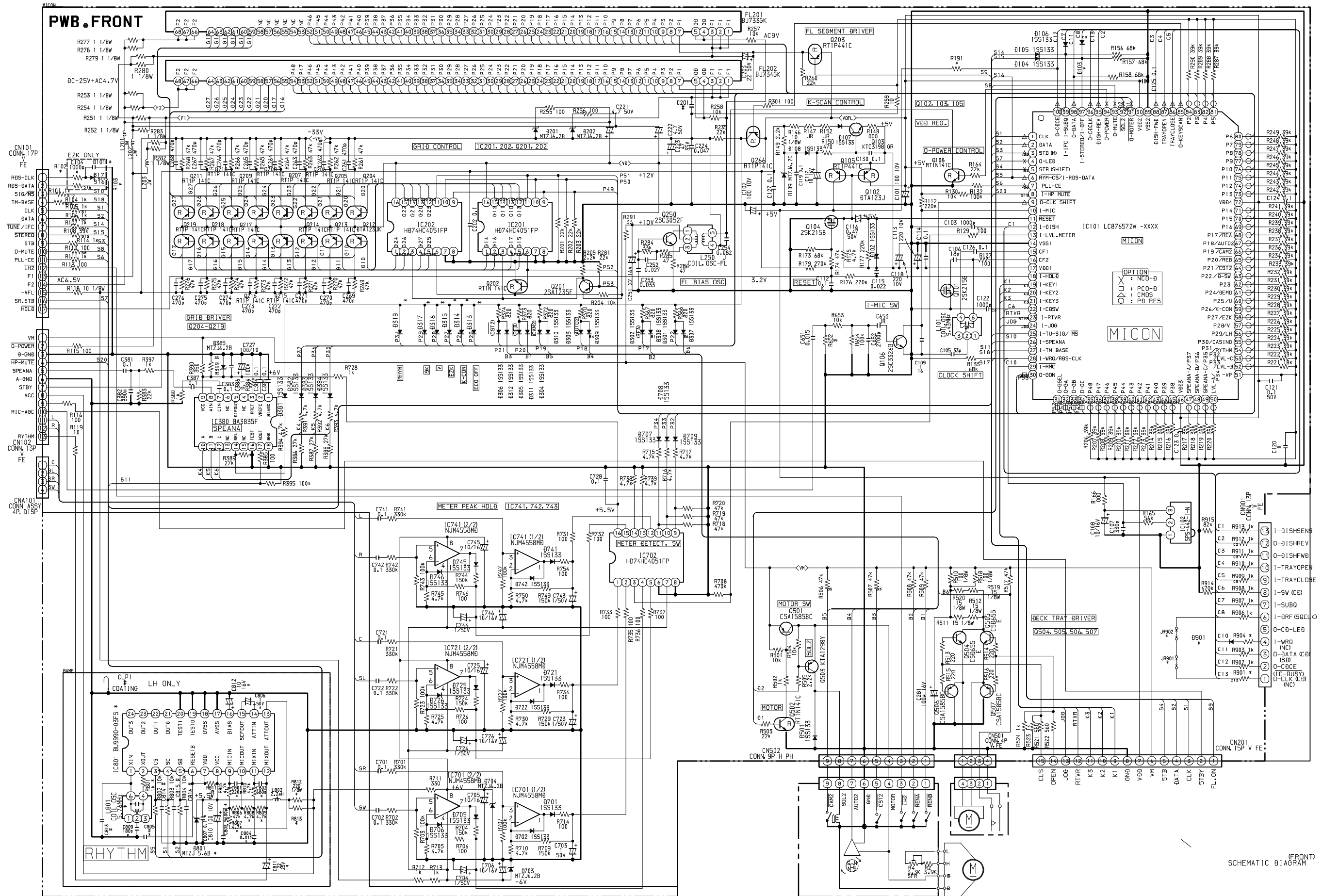




SCHEMATIC DIAGRAM-7 (MAIN : 7/7) <CONNECTOR SECTION>

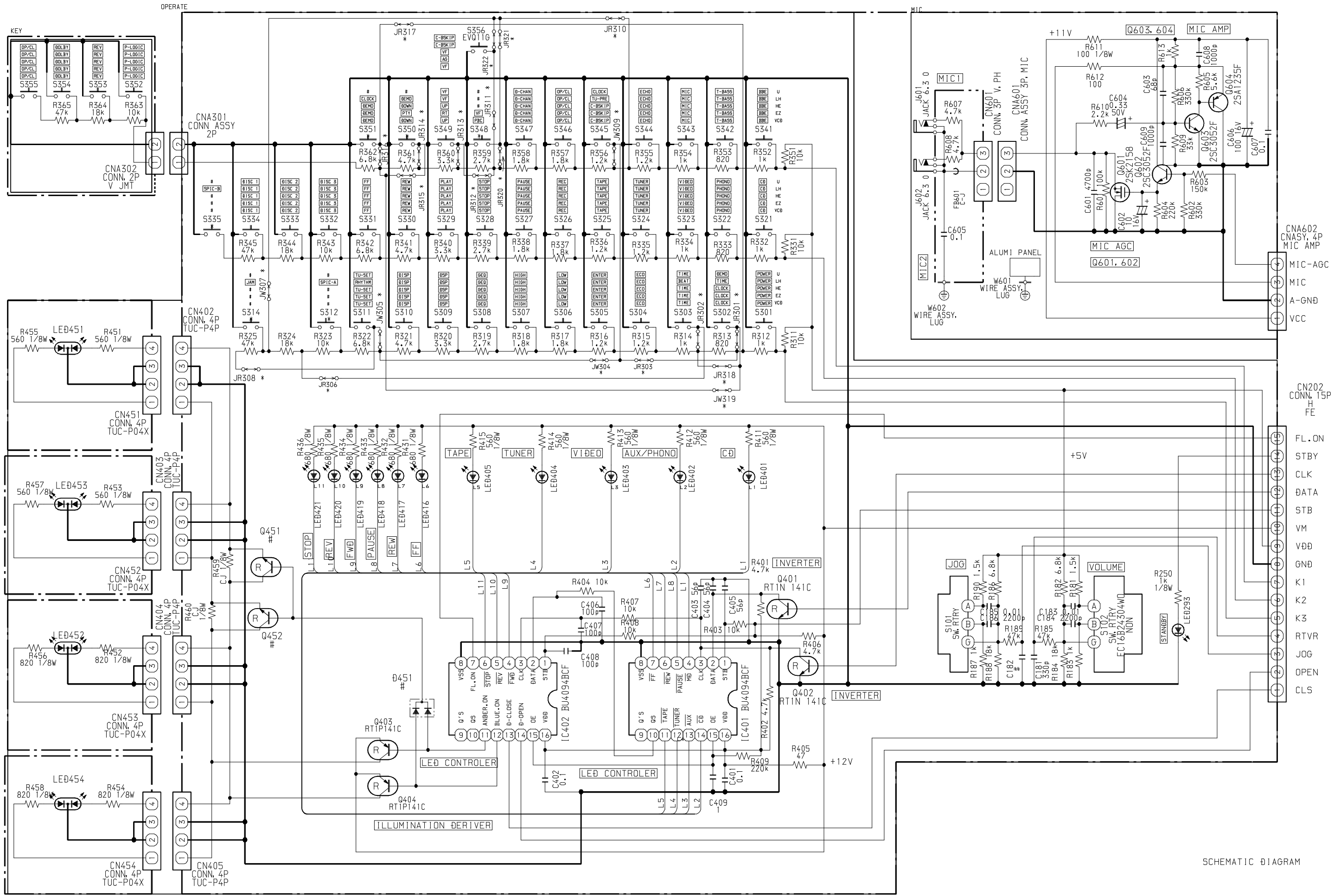


SCHEMATIC DIAGRAM-8 (FRONT)



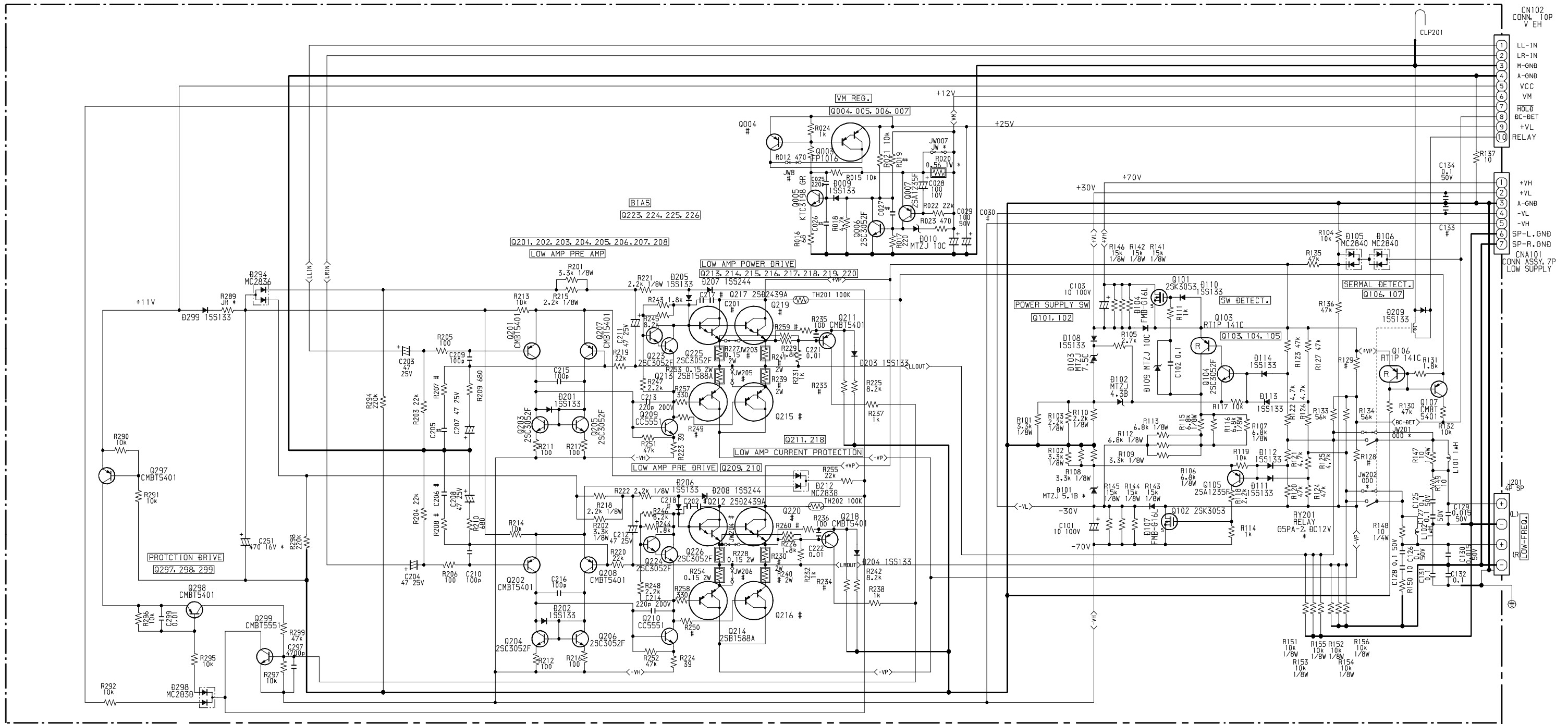
(FRONT) SCHEMATIC DIAGRAM

SCHEMATIC DIAGRAM - 9 (OPERATE / KEY / MIC / LED)



SCHEMATIC DIAGRAM

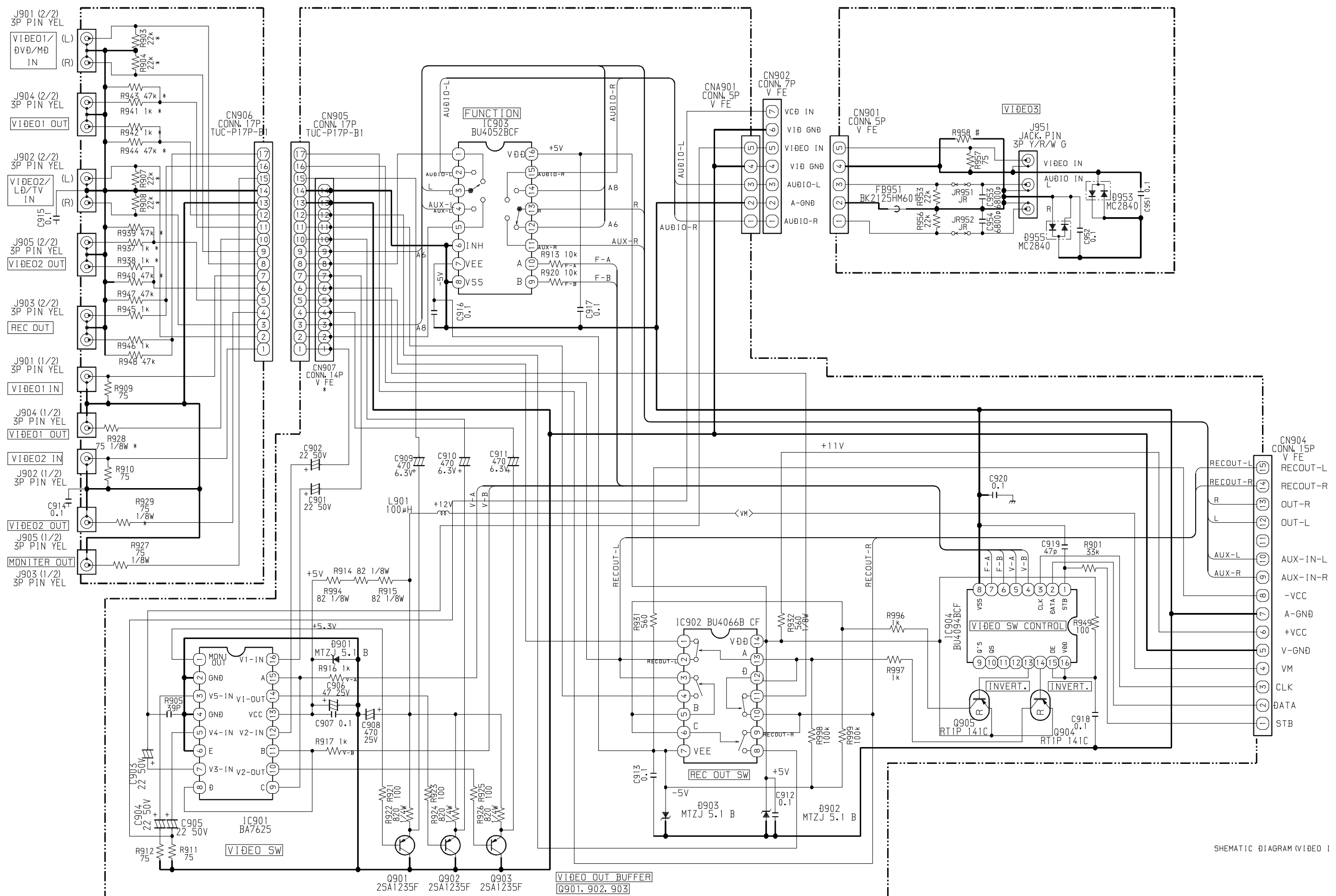
SCHEMATIC DIAGRAM - 10 (LOW AMP)



- CN102
CONN. 10P
V EH
- 1 LL-IN
 - 2 LR-IN
 - 3 M-GND
 - 4 A-GND
 - 5 VCC
 - 6 VM
 - 7 HGLB
 - 8 DC-BET
 - 9 +VL
 - 10 RELAY
- +VH
- 1 +VH
 - 2 +VL
 - 3 A-GND
 - 4 -VL
 - 5 -VH
 - 6 SP-L.GND
 - 7 SP-R.GND
 - 8 CNA101
 - 9 CONN ASSY, 7P
 - 10 LOW SUPPLY

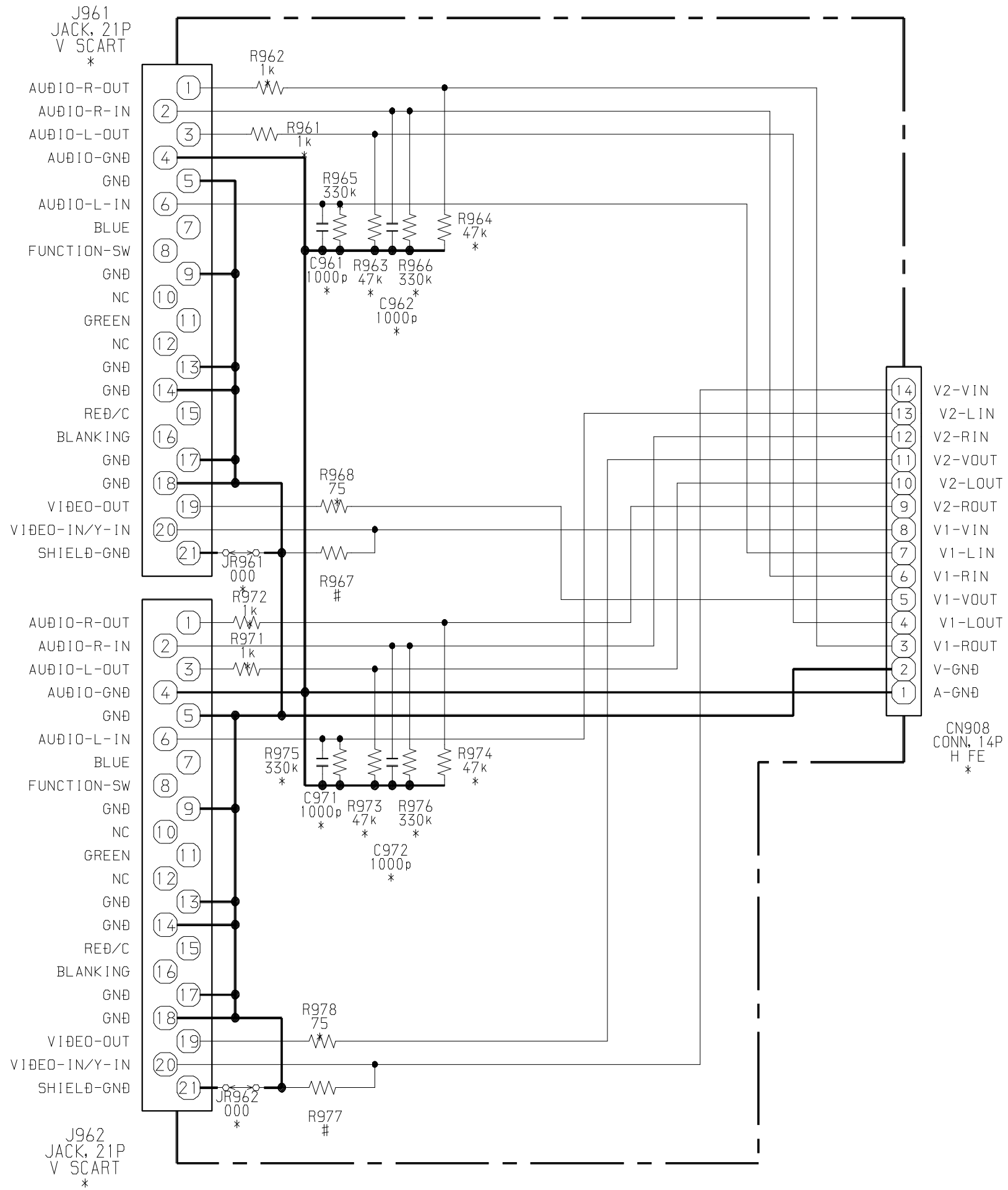
- J201
4P
SP
- 1 (+)
 - 2 (-)
 - 3 (+)
 - 4 (-)
- LOW-FREQ.

SCHEMATIC DIAGRAM - 12 (VIDEO I/O / VIDEO JACK / VIDEO-3)

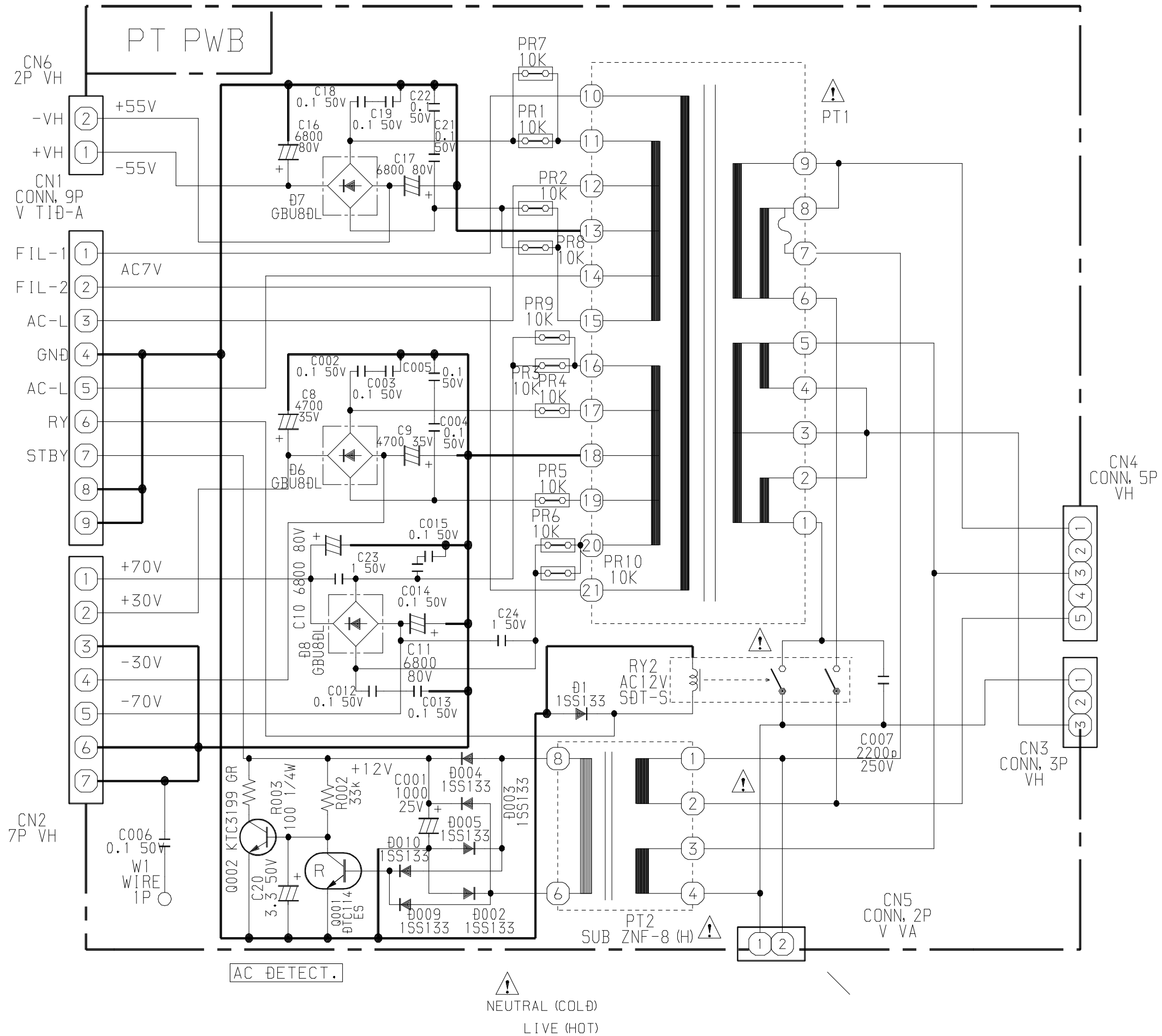


SCHEMATIC DIAGRAM (VIDEO I)

SCHEMATIC DIAGRAM-13 (VIDEO I/O)



SCHEMATIC DIAGRAM - 14 (PT)



アイワ株式会社 〒110-8710 東京都台東区池之端1-2-11 ☎03(3827)3111 (代表)
AIWA CO.,LTD. 2-11, IKENOHATA 1-CHOME, TAITO-KU, TOKYO 110, JAPAN TEL:03 (3827) 3111