



NSX-AJ54 U

NSX-BL54 LH,EZ,K

NSX-BL56 EZ

SERVICE MANUAL

COMPACT DISC
STEREO SYSTEM

BASIC CD MECHANISM: AZG-1 YKZA3RDF
AZG-1 YKZD3RDF
AZG-1 YKZA8RDC

BASIC TAPE MECHANISM	TYPE
6ZM-3 PR2NF	EZ,K
ZZM-3 PR1NF	U
2ZM-3MK2 YPR4N	LH

- Replace this Service manual with "Revision Publishing" when it is issued.

aiwa

S/M Code No. 09-002-429-5T1

SIMPLE

DATA

ELECTRICAL MAIN PARTS LIST - 1/10

NOTE: The characters in the suffix column indicate the part usage.

NBL54 LHSCXX.....	A.....
NAJ54 USFDXX.....	B.....
NAJ54 USCXX.....	C.....
NBL54 KSFDXX.....	D.....
NBL54 EZSFDXX.....	E.....
NBL56 EZSFDXX.....	F.....

REF.NO	PARTS NO.	KANRI NO.	DESCRIPTION	SUFFIX
C	503	87-010-112-040	CAP,E 100-16	A.....
C	502	87-010-186-080	CAP,CHIP 4700P	A.....
C	506	87-010-320-080	CHIP CAP 68P	A.....
C	504	87-010-405-040	CAP,E 10-50	A.....
C	508	87-010-544-040	CAP,E 0.1-50 SME	A.....
C	507	87-010-544-040	CAP,E 0.1-50 SME	A.....
C	505	87-010-545-040	CAP,E 0.22-50 SME	A.....
C	512	87-010-178-080	CHIP CAP 1000P	A.....
C	515	87-010-178-080	CHIP CAP 1000P	A.....
C	513	87-010-196-080	CHIP CAPACITOR,0.1-25	A.....
C	511	87-010-265-040	CAP,E 33-16 SME	A.....
C	510	87-010-322-080	C-CAP,S 100P-50 CH	A.....
FB	501	87-008-372-080	FILTER, EMI BL OIRNI	A.....
J	501	87-A61-242-010	JACK,6.3 BLK MONO W/SW V KM	A.....
Q	504	87-A30-075-080	C-TR,2SA1235F	A.....
Q	506	87-A30-075-080	C-TR,2SA1235F	A.....
Q	505	87-A30-076-080	C-TR,2SC3052F	A.....
Q	502	87-A30-076-080	C-TR,2SC3052F	A.....
Q	503	87-A30-076-080	C-TR,2SC3052F	A.....
Q	501	87-A30-087-080	C-FET,2SK2158	A.....
VR	501	86-NFA-607-010	VR,RTRY 10K15AX1 1 V XV0121PVN	A.....
C	1	87-010-387-080	CAP,E 470-25 SME	ABCDEF.....
C	2	87-A11-148-080	CAP,TC U 0.1-50 Z F	...DEF.....
C	31	87-010-403-040	CAP,E 3.3-50 SME	ABCDEF.....
CN	1	87-A61-122-010	CONN,11P V TID-A	ABCDEF.....
D	5	87-A40-736-080	DIODE,1N4148M(SEM)	ABCDEF.....
D	4	87-A40-736-080	DIODE,1N4148M(SEM)	ABCDEF.....
D	2	87-A40-736-080	DIODE,1N4148M(SEM)	ABCDEF.....
D	3	87-A40-736-080	DIODE,1N4148M(SEM)	ABCDEF.....
D	31	87-A40-736-080	DIODE,1N4148M(SEM)	ABCDEF.....
D	32	87-A40-736-080	DIODE,1N4148M(SEM)	ABCDEF.....
PT	2	8A-NF8-661-010	PT,SUB ANF-8 (U)	.BC.....
PT	2	8A-NF8-662-010	PT,SUB ANF-8 (E)	...DEF.....
PT	2	8A-NF8-673-010	PT,SUB ANF-8 (H) KAMI	A.....
Q	31	87-026-245-080	TR,DTC114ES	ABCDEF.....
Q	32	87-A30-198-080	TR,KTC3199GR	ABCDEF.....
RY	1	87-A91-339-010	RELAY,AC DC12V G5PA-2	A.....
RY	2	87-A91-418-010	RELAY,AC12V G5PA-1-M	.BCDEF.....
S	1	87-A90-165-010	SW,SL 1-2-3 SWS2301	A.....
T	2	87-A60-317-010	TERMINAL, 1P MSC	ABCDEF.....
T	1	87-A60-317-010	TERMINAL, 1P MSC	ABCDEF.....
C	208	87-010-322-080	C-CAP,S 100P-50 CH	ABCDEF.....
C	202	87-010-322-080	C-CAP,S 100P-50 CH	ABCDEF.....
C	201	87-010-322-080	C-CAP,S 100P-50 CH	ABCDEF.....
C	207	87-010-322-080	C-CAP,S 100P-50 CH	ABCDEF.....
C	203	87-010-322-080	C-CAP,S 100P-50 CH	ABCDEF.....
C	206	87-010-322-080	C-CAP,S 100P-50 CH	ABCDEF.....
C	209	87-010-322-080	C-CAP,S 100P-50 CH	ABCDEF.....
C	205	87-010-322-080	C-CAP,S 100P-50 CH	ABCDEF.....
C	204	87-010-322-080	C-CAP,S 100P-50 CH	ABCDEF.....
C	211	87-010-322-080	C-CAP,S 100P-50 CH	ABCDEF.....
C	210	87-010-322-080	C-CAP,S 100P-50 CH	ABCDEF.....
C	253	87-010-196-080	CHIP CAPACITOR,0.1-25	ABCDEF.....
C	251	87-010-405-040	CAP,E 10-50	ABCDEF.....
C	256	87-010-405-040	CAP,E 10-50	ABCDEF.....
C	259	87-010-405-040	CAP,E 10-50	ABCDEF.....
C	255	87-010-560-040	CAP,E 10-50 GAS	ABCDEF.....
C	254	87-012-369-080	C-CAP,S 0.047-50F	ABCDEF.....
C	273	87-010-178-080	CHIP CAP 1000P	ABCDEF.....
C	274	87-010-178-080	CHIP CAP 1000P	ABCDEF.....
C	301	87-010-182-080	C-CAP,S 2200P-50 B	ABCDEF.....
C	302	87-010-196-080	CHIP CAPACITOR,0.1-25	ABCDEF.....
C	316	87-010-196-080	CHIP CAPACITOR,0.1-25	ABCDEF.....
C	314	87-010-196-080	CHIP CAPACITOR,0.1-25	ABCDEF.....
C	315	87-010-196-080	CHIP CAPACITOR,0.1-25	ABCDEF.....
C	312	87-010-498-040	CAP,E 10-16 GAS	ABCDEF.....
C	322	87-010-400-040	CAP,E 0.47-50	ABCDEF.....
C	321	87-012-393-080	C-CAP,S 0.22-16 R K	ABCDEF.....
C	325	87-A10-189-040	CAP,E 220-10	ABCDEF.....
C	326	87-A10-189-040	CAP,E 220-10	ABCDEF.....
C	332	87-010-178-080	CHIP CAP 1000P	ABCDEF.....
C	334	87-010-312-080	C-CAP,S 15P-50 CH	ABCDEF.....
C	335	87-012-140-080	CAP 470P	ABCDEF.....
C	336	87-012-155-080	C-CAP 180P-50CH	ABCDEF.....
C	339	87-012-156-080	C-CAP,S 220P-50 CH	ABCDEF.....
C	341	87-010-194-080	CAP, CHIP 0.047	ABCDEF.....
C	340	87-010-197-080	CAP, CHIP 0.01 DM	ABCDEF.....
C	351	87-010-981-040	CAP,E 22-35 5L SRE	ABCDEF.....
C	401	87-010-197-080	CAP, CHIP 0.01 DM	ABCDEF.....
C	451	87-010-196-080	CHIP CAPACITOR,0.1-25	ABCDEF.....
C	453	87-010-196-080	CHIP CAPACITOR,0.1-25	ABCDEF.....

ELECTRICAL MAIN PARTS LIST - 2/10

C	454	87-010-196-080	CHIP CAPACITOR,0.1-25	ABCDEF
C	455	87-010-196-080	CHIP CAPACITOR,0.1-25	ABCDEF
C	452	87-010-196-080	CHIP CAPACITOR,0.1-25	ABCDEF
C	603	87-010-322-080	C-CAP,S 100P-50 CH	ABCDEF
C	602	87-010-322-080	C-CAP,S 100P-50 CH	ABCDEF
C	604	87-010-322-080	C-CAP,S 100P-50 CH	ABCDEF
C	650	87-010-196-080	CHIP CAPACITOR,0.1-25	ABCDEF
C	699	87-010-196-080	CHIP CAPACITOR,0.1-25	ABCDEF
CN	102	87-099-015-010	CONN,13P 6216V	ABCDEF
CN	101	87-099-720-010	CONN,30P TYK-B(P)	ABCDEF
CN	302	87-A60-136-010	CONN,11P V FE	.BCDEF
CN	301	87-A60-140-010	CONN,15P V FE	A.....
D	102	87-A40-736-080	DIODE,1N4148M(SEM)F
D	104	87-A40-736-080	DIODE,1N4148M(SEM)	ABCDEF
D	103	87-A40-736-080	DIODE,1N4148M(SEM)	ABCDEF
D	206	87-A40-736-080	DIODE,1N4148M(SEM)F
D	203	87-A40-736-080	DIODE,1N4148M(SEM)	...DEF
D	209	87-A40-736-080	DIODE,1N4148M(SEM)	A.....
D	201	87-A40-736-080	DIODE,1N4148M(SEM)	ABC
D	215	87-A40-736-080	DIODE,1N4148M(SEM)	ABCDEF
D	212	87-A40-736-080	DIODE,1N4148M(SEM)	A.....
D	218	87-A40-736-080	DIODE,1N4148M(SEM)	ABCDEF
D	217	87-A40-736-080	DIODE,1N4148M(SEM)	ABCDEF
D	213	87-A40-736-080	DIODE,1N4148M(SEM)	A.....
D	219	87-A40-736-080	DIODE,1N4148M(SEM)	ABCDEF
D	216	87-A40-736-080	DIODE,1N4148M(SEM)	ABCDEF
D	210	87-A40-736-080	DIODE,1N4148M(SEM)	.BCDEF
D	214	87-A40-736-080	DIODE,1N4148M(SEM)	ABCDEF
D	224	87-A40-736-080	DIODE,1N4148M(SEM)	ABCDEF
D	229	87-A40-736-080	DIODE,1N4148M(SEM)	A...DEF
D	222	87-A40-736-080	DIODE,1N4148M(SEM)	ABCDEF
D	223	87-A40-736-080	DIODE,1N4148M(SEM)	ABCDEF
D	226	87-A40-736-080	DIODE,1N4148M(SEM)	ABCDEF
D	227	87-A40-736-080	DIODE,1N4148M(SEM)	ABCDEF
D	221	87-A40-736-080	DIODE,1N4148M(SEM)	ABCDEF
D	220	87-A40-736-080	DIODE,1N4148M(SEM)	ABCDEF
D	225	87-A40-736-080	DIODE,1N4148M(SEM)	ABCDEF
D	231	87-A40-736-080	DIODE,1N4148M(SEM)	A.....
D	230	87-A40-736-080	DIODE,1N4148M(SEM)	A.....
D	252	87-A40-736-080	DIODE,1N4148M(SEM)	ABCDEF
D	253	87-A40-736-080	DIODE,1N4148M(SEM)	ABCDEF
D	251	87-A40-736-080	DIODE,1N4148M(SEM)	ABCDEF
D	311	87-A40-752-080	ZENER,UZ6.2BSC	ABCDEF
D	324	87-A40-736-080	DIODE,1N4148M(SEM)	ABCDEF
D	326	87-A40-736-080	DIODE,1N4148M(SEM)	ABCDEF
D	323	87-A40-736-080	DIODE,1N4148M(SEM)	ABCDEF
D	338	87-A40-736-080	DIODE,1N4148M(SEM)	ABCDEF
D	333	87-A40-736-080	DIODE,1N4148M(SEM)	ABCDEF
D	337	87-A40-736-080	DIODE,1N4148M(SEM)	ABCDEF
D	352	87-A40-736-080	DIODE,1N4148M(SEM)	ABCDEF
D	351	87-A40-736-080	DIODE,1N4148M(SEM)	ABCDEF
D	451	87-A40-736-080	DIODE,1N4148M(SEM)	ABCDEF
D	452	87-A40-802-080	ZENER,UZ5.1BSC	ABCDEF
FB	301	87-008-372-080	FILTER,EMI BL OIRNI	ABCDEF
FL	401	8A-NF8-601-010	FL,HNA-11MM30(ANF-8)	ABCDEF
IC	201	8A-NF8-613-010	C-IC,LC866548V-ANALOG	ABCDEF
IC	201	8A-NF8-614-010	C-IC,LC866560W-ANALOG(RDS)F
IC	251	87-A21-482-010	IC,RPM6938-H4	ABCDEF
IC	452	87-A21-023-040	C-IC,BA3835F	ABCDEF
IC	601	87-070-289-040	IC,BU 2092F	ABCDEF
L	331	87-A50-408-010	COIL,OSC 5.76MHZ	ABCDEF
LED	311	87-A40-589-040	LED,SLR-56VCT31 RED	ABCDEF
LED	608	87-A40-619-080	LED,SLR-56PT-TE7-W GRN	ABCDEF
LED	607	87-A40-619-080	LED,SLR-56PT-TE7-W GRN	ABCDEF
LED	606	87-A40-619-080	LED,SLR-56PT-TE7-W GRN	A...DEF
LED	602	87-A40-619-080	LED,SLR-56PT-TE7-W GRN	ABCDEF
LED	604	87-A40-619-080	LED,SLR-56PT-TE7-W GRN	A...DEF
LED	603	87-A40-619-080	LED,SLR-56PT-TE7-W GRN	ABCDEF
LED	605	87-A40-619-080	LED,SLR-56PT-TE7-W GRN	.BC...
LED	601	87-A40-803-010	LED,SELU1E10CXM-S LF38 BLUE	ABCDEF
Q	207	87-A30-087-080	C-FET,2SK2158	ABCDEF
Q	251	87-A30-484-080	C-TR,KRA102S	ABCDEF
Q	301	87-A30-318-080	TR,CSA952K	ABCDEF
Q	302	87-A30-318-080	TR,CSA952K	ABCDEF
Q	303	87-A30-329-080	TR,CD1585BC	ABCDEF
Q	311	87-026-610-080	TR,KTC3198GR	ABCDEF
Q	323	87-A30-076-080	C-TR,2SC3052F	ABCDEF
Q	321	87-A30-468-080	C-TR,KRC102S-RTK	ABCDEF
Q	322	87-A30-484-080	C-TR,KRA102S	ABCDEF
Q	324	87-A30-484-080	C-TR,KRA102S	ABCDEF
S	405	87-A91-024-180	SW,TACT KSH0611BT	ABCDEF
S	407	87-A91-024-180	SW,TACT KSH0611BT	ABCDEF
S	406	87-A91-024-180	SW,TACT KSH0611BT	ABCDEF
S	401	87-A91-024-180	SW,TACT KSH0611BT	ABCDEF
S	402	87-A91-024-180	SW,TACT KSH0611BT	ABCDEF
S	403	87-A91-024-180	SW,TACT KSH0611BT	ABCDEF
S	409	87-A91-024-180	SW,TACT KSH0611BT	ABCDEF
S	404	87-A91-024-180	SW,TACT KSH0611BT	ABCDEF
S	408	87-A91-024-180	SW,TACT KSH0611BT	ABCDEF
S	415	87-A91-024-180	SW,TACT KSH0611BT	ABCDEF
S	418	87-A91-024-180	SW,TACT KSH0611BT	ABCDEF
S	410	87-A91-024-180	SW,TACT KSH0611BT	ABCDEF

ELECTRICAL MAIN PARTS LIST - 3/10

S	419	87-A91-024-180	SW, TACT KSH0611BT	ABCDEF.....
S	414	87-A91-024-180	SW, TACT KSH0611BT	ABCDEF.....
S	412	87-A91-024-180	SW, TACT KSH0611BT	A....F.....
S	417	87-A91-024-180	SW, TACT KSH0611BT	ABCDEF.....
S	413	87-A91-024-180	SW, TACT KSH0611BT	ABCDEF.....
S	416	87-A91-024-180	SW, TACT KSH0611BT	ABCDEF.....
S	411	87-A91-024-180	SW, TACT KSH0611BT	ABCDEF.....
S	421	87-A91-024-180	SW, TACT KSH0611BTF.....
S	425	87-A91-024-180	SW, TACT KSH0611BT	ABCDEF.....
S	426	87-A91-024-180	SW, TACT KSH0611BT	ABCDEF.....
S	420	87-A91-024-180	SW, TACT KSH0611BT	A....F.....
S	436	87-A91-024-180	SW, TACT KSH0611BT	ABCDEF.....
S	432	87-A91-024-180	SW, TACT KSH0611BT	ABCDEF.....
S	433	87-A91-024-180	SW, TACT KSH0611BT	ABCDEF.....
S	437	87-A91-024-180	SW, TACT KSH0611BT	ABCDEF.....
S	434	87-A91-024-180	SW, TACT KSH0611BT	ABCDEF.....
S	435	87-A91-024-180	SW, TACT KSH0611BT	ABCDEF.....
SW	253	87-A91-542-010	SW, RTRY EC12E12504	ABCDEF.....
SW	252	87-A91-555-010	SW, RTRY EC12E24504	ABCDEF.....
C	301	87-010-178-080	CHIP CAP 1000P	ABCDEF.....
C	303	87-010-178-080	CHIP CAP 1000P	ABCDEF.....
C	304	87-010-178-080	CHIP CAP 1000P	ABCDEF.....
C	302	87-010-178-080	CHIP CAP 1000P	ABCDEF.....
C	307	87-010-263-080	CAP, ELECT 100-10V	ABCDEF.....
C	308	87-010-263-080	CAP, ELECT 100-10V	ABCDEF.....
C	309	87-010-318-080	C-CAP, S 47P-50 CH	ABCDEF.....
C	314	87-010-188-080	CAP, CHIP 6800P	ABCDEF.....
C	313	87-010-188-080	CAP, CHIP 6800P	ABCDEF.....
C	315	87-010-263-080	CAP, ELECT 100-10V	ABCDEF.....
C	310	87-010-318-080	C-CAP, S 47P-50 CH	ABCDEF.....
C	318	87-010-546-080	CAP, ELECT 0.33-50V	ABCDEF.....
C	317	87-010-546-080	CAP, ELECT 0.33-50V	ABCDEF.....
C	326	87-010-198-080	CAP, CHIP 0.022	ABCDEF.....
C	327	87-012-368-080	C-CAP, S 0.1-50 F	ABCDEF.....
C	365	87-010-197-080	CAP, CHIP 0.01 DM	...DEF.....
C	360	87-010-401-080	CAP, ELECT 1-50V	ABCDEF.....
C	399	87-012-140-080	CAP 470P	ABCDEF.....
C	409	87-010-182-080	C-CAP, S 2200P-50 B	ABCDEF.....
C	405	87-010-197-080	CAP, CHIP 0.01 DM	ABCDEF.....
C	407	87-010-197-080	CAP, CHIP 0.01 DM	ABCDEF.....
C	406	87-010-197-080	CAP, CHIP 0.01 DM	ABCDEF.....
C	408	87-010-197-080	CAP, CHIP 0.01 DM	ABCDEF.....
C	403	87-010-321-080	CHIP CAPACITOR, 82P (J)	ABCDEF.....
C	404	87-010-321-080	CHIP CAPACITOR, 82P (J)	ABCDEF.....
C	401	87-010-544-080	CAP, ELECT 0.1-50V	ABCDEF.....
C	402	87-010-544-080	CAP, ELECT 0.1-50V	ABCDEF.....
C	410	87-010-182-080	C-CAP, S 2200P-50 B	ABCDEF.....
C	412	87-010-405-080	CAP, ELECT 10-50V	ABCDEF.....
C	411	87-010-405-080	CAP, ELECT 10-50V	ABCDEF.....
C	459	87-010-175-080	CAP 560P	ABCDEF.....
C	458	87-010-178-080	CHIP CAP 1000P	ABCDEF.....
C	453	87-010-183-080	C-CAP, S 2700P-50 B	ABCDEF.....
C	454	87-010-183-080	C-CAP, S 2700P-50 B	ABCDEF.....
C	455	87-010-183-080	C-CAP, S 2700P-50 B	ABCDEF.....
C	456	87-010-197-080	CAP, CHIP 0.01 DM	ABCDEF.....
C	452	87-010-382-080	CAP, ELECT 22-25V	ABCDEF.....
C	460	87-010-196-080	CHIP CAPACITOR, 0.1-25	ABCDEF.....
C	461	87-012-158-080	C-CAP, S 390P-50 CH	ABCDEF.....
C	462	87-012-158-080	C-CAP, S 390P-50 CH	ABCDEF.....
CN	301	87-A60-620-010	CONN, 3P V 2MM JMT	ABCDEF.....
CN	351	87-A60-625-010	CONN, 8P V 2MM JMT	ABCDEF.....
D	401	87-A40-736-080	DIODE, 1N4148M (SEM)	ABCDEF.....
IC	301	87-A21-419-040	C-IC, NJM14558MD-TE2	ABCDEF.....
IC	401	87-A21-419-040	C-IC, NJM14558MD-TE2	ABCDEF.....
L	451	87-007-342-010	COIL, OSC 85K BIAS	ABCDEF.....
Q	309	87-A30-075-080	C-TR, 2SA1235F	ABCDEF.....
Q	304	87-A30-090-080	FET, 2SK2541	ABCDEF.....
Q	303	87-A30-090-080	FET, 2SK2541	ABCDEF.....
Q	305	87-A30-091-080	FET, 2SJ460	ABCDEF.....
Q	307	87-A30-091-080	FET, 2SJ460	ABCDEF.....
Q	308	87-A30-091-080	FET, 2SJ460	ABCDEF.....
Q	301	87-A30-091-080	FET, 2SJ460	ABCDEF.....
Q	302	87-A30-091-080	FET, 2SJ460	ABCDEF.....
Q	306	87-A30-104-080	C-TR, RT1N 441C	ABCDEF.....
Q	310	87-A30-075-080	C-TR, 2SA1235F	ABCDEF.....
Q	444	87-A30-075-080	C-TR, 2SA1235F	ABCDEF.....
Q	443	87-A30-075-080	C-TR, 2SA1235F	ABCDEF.....
Q	451	87-026-609-080	TR, KTA1266GR	ABCDEF.....
Q	455	87-A30-076-080	C-TR, 2SC3052F	...DEF.....
Q	454	89-333-317-880	TR, 2SC3331 (0.5W)	ABCDEF.....
Q	453	89-333-317-880	TR, 2SC3331 (0.5W)	ABCDEF.....
SFR	452	87-A90-432-080	SFR, 30K H NVZ6TLTA	ABCDEF.....
SFR	451	87-A90-432-080	SFR, 30K H NVZ6TLTA	ABCDEF.....
C	508	87-010-178-080	CHIP CAP 1000P	ABCDEF.....
C	507	87-010-196-080	CHIP CAPACITOR, 0.1-25	ABCDEF.....
C	509	87-A10-300-080	CAP, M 0.027-50 J	ABCDEF.....
C	518	87-010-196-080	CHIP CAPACITOR, 0.1-25	ABCDEF.....
C	519	87-010-401-080	CAP, ELECT 1-50V	ABCDEF.....
C	515	87-A10-300-080	CAP, M 0.027-50 J	ABCDEF.....
C	516	87-A10-300-080	CAP, M 0.027-50 J	ABCDEF.....
C	510	87-A10-300-080	CAP, M 0.027-50 J	ABCDEF.....
C	520	87-010-401-080	CAP, ELECT 1-50V	ABCDEF.....

ELECTRICAL MAIN PARTS LIST - 4/10

C	523	87-010-545-080	CAP, ELECT 0.22-50V	ABCDEF
C	524	87-010-545-080	CAP, ELECT 0.22-50V	ABCDEF
C	525	87-010-545-080	CAP, ELECT 0.22-50V	ABCDEF
C	526	87-010-545-080	CAP, ELECT 0.22-50V	ABCDEF
C	522	87-010-546-080	CAP, ELECT 0.33-50V	ABCDEF
C	521	87-010-546-080	CAP, ELECT 0.33-50V	ABCDEF
D	501	87-A40-736-080	DIODE,1N4148M(SEM)	ABCDEF
Q	502	87-A30-076-080	C-TR,2SC3052F	ABCDEF
Q	505	87-A30-076-080	C-TR,2SC3052F	ABCDEF
Q	506	87-A30-076-080	C-TR,2SC3052F	ABCDEF
Q	501	87-A30-076-080	C-TR,2SC3052F	ABCDEF
Q	507	87-A30-269-040	C-FET,2SJ461-T1	ABCDEF
Q	508	87-A30-269-040	C-FET,2SJ461-T1	ABCDEF
Q	511	87-A30-076-080	C-TR,2SC3052F	ABCDEF
Q	512	87-A30-076-080	C-TR,2SC3052F	ABCDEF
C	973	87-010-197-080	CAP, CHIP 0.01 DM	ABCDEF
C	974	87-010-197-080	CAP, CHIP 0.01 DM	ABCDEF
C	979	87-010-322-080	C-CAP,S 100P-50 CH	ABCDEF
C	971	87-010-381-080	CAP, ELECT 330-16V	ABCDEF
C	972	87-010-404-080	CAP, ELECT 4.7-50V	ABCDEF
C	982	87-010-196-080	CHIP CAPACITOR,0.1-25	ABCDEF
C	984	87-010-197-080	CAP, CHIP 0.01 DM	ABCDEF
C	989	87-010-197-080	CAP, CHIP 0.01 DM	...DEF
C	983	87-010-197-080	CAP, CHIP 0.01 DM	ABCDEF
C	987	87-010-197-080	CAP, CHIP 0.01 DM	ABCDEF
C	981	87-010-260-080	CAP, ELECT 47-25V	ABCDEF
C	985	87-010-322-080	C-CAP,S 100P-50 CH	...DEF
C	993	87-010-178-080	CHIP CAP 1000P	ABCDEF
C	995	87-010-178-080	CHIP CAP 1000P	ABCDEF
C	997	87-010-196-080	CHIP CAPACITOR,0.1-25	ABCDEF
C	998	87-010-260-080	CAP, ELECT 47-25V	ABCDEF
C	992	87-010-312-080	C-CAP,S 15P-50 CH	ABCDEF
C	991	87-010-312-080	C-CAP,S 15P-50 CH	ABCDEF
D	804	87-A40-736-080	DIODE,1N4148M(SEM)	ABCDEF
D	991	87-017-149-080	ZENER,HZS6A2L	ABCDEF
D	992	87-A40-736-080	DIODE,1N4148M(SEM)	...DEF
IC	991	87-070-127-110	IC,LC72131 D	ABCDEF
Q	981	87-A30-234-080	TR,CSC4115BC	ABCDEF
R	995	87-010-322-080	C-CAP,S 100P-50 CH	ABCDEF
R	993	87-010-322-080	C-CAP,S 100P-50 CH	ABCDEF
R	991	87-010-322-080	C-CAP,S 100P-50 CH	ABCDEF
X	991	87-A70-061-010	VIB,XTAL 4.500MHZ CSA-309	ABCDEF
C	779	87-010-186-080	CAP,CHIP 4700P	...DEF
C	772	87-010-197-080	CAP, CHIP 0.01 DM	ABCDEF
C	771	87-010-263-080	CAP, ELECT 100-10V	ABCDEF
C	788	87-010-149-080	C-CAP,S 5P-50 CH	ABCDEF
C	780	87-010-186-080	CAP,CHIP 4700P	...DEF
C	784	87-010-197-080	CAP, CHIP 0.01 DM	ABCDEF
C	783	87-010-197-080	CAP, CHIP 0.01 DM	ABCDEF
C	786	87-010-197-080	CAP, CHIP 0.01 DM	ABCDEF
C	782	87-010-197-080	CAP, CHIP 0.01 DM	ABCDEF
C	785	87-010-197-080	CAP, CHIP 0.01 DM	ABCDEF
C	789	87-A11-532-080	C-CAP,S 0.022-50 J B	.B.DEF
C	789	87-A12-052-080	C-CAP,S 0.033-25 J B	A.C.
C	791	87-010-196-080	CHIP CAPACITOR,0.1-25	ABCDEF
C	796	87-010-197-080	CAP, CHIP 0.01 DM	ABCDEF
C	792	87-010-197-080	CAP, CHIP 0.01 DM	ABCDEF
C	798	87-010-197-080	CAP, CHIP 0.01 DM	ABCDEF
C	795	87-010-197-080	CAP, CHIP 0.01 DM	ABCDEF
C	793	87-010-404-080	CAP, ELECT 4.7-50V	ABCDEF
C	797	87-010-405-080	CAP, ELECT 10-50V	ABCDEF
C	799	87-010-407-080	CAP, ELECT 33-50V	ABCDEF
C	790	87-A11-532-080	C-CAP,S 0.022-50 J B	.B.DEF
C	790	87-A12-052-080	C-CAP,S 0.033-25 J B	A.C.
C	802	87-010-194-080	CAP, CHIP 0.047	ABCDEF
C	803	87-010-198-080	CAP, CHIP 0.022	ABCDEF
C	804	87-010-263-080	CAP, ELECT 100-10V	ABCDEF
C	807	87-010-400-080	CAP, ELECT 0.47-50V	ABCDEF
C	808	87-010-401-080	CAP, ELECT 1-50V	ABCDEF
C	809	87-010-401-080	CAP, ELECT 1-50V	ABCDEF
C	801	87-010-403-080	CAP, ELECT 3.3-50V	ABCDEF
C	800	87-012-369-080	C-CAP,S 0.047-50F	ABCDEF
C	818	87-010-180-080	C-CER 1500P	...DEF
C	810	87-010-196-080	CHIP CAPACITOR,0.1-25	ABCDEF
C	814	87-010-197-080	CAP, CHIP 0.01 DM	ABCDEF
C	815	87-010-400-080	CAP, ELECT 0.47-50V	ABCDEF
C	816	87-010-400-080	CAP, ELECT 0.47-50V	ABCDEF
C	823	87-010-177-080	C-CAP,S 820P-50 SL	ABC
C	824	87-010-405-080	CAP, ELECT 10-50V	ABCDEF
C	821	87-010-405-080	CAP, ELECT 10-50V	ABCDEF
C	825	87-010-596-080	CAP, S 0.047-16	ABCDEF
C	823	87-012-349-080	C-CAP,S 1000P-50 CH	...DEF
D	803	87-A40-736-080	DIODE,1N4148M(SEM)	ABCDEF
IC	801	87-A40-736-080	DIODE,1N4148M(SEM)	...DEF
IC	801	87-A21-560-010	IC,LA1844L-A	ABCDEF
L	801	87-A50-608-010	COIL,FM DET-N(TOK)	ABCDEF
L	802	87-A91-551-010	FLTR,PCFJZH-450 L(TOK)	ABCDEF
L	811	87-005-847-080	COIL,2.2UH(CECS)	ABCDEF
R	790	87-010-197-080	CAP, CHIP 0.01 DM	ABCDEF
C	869	87-010-197-080	CAP, CHIP 0.01 DM	...F
C	875	87-010-196-080	CHIP CAPACITOR,0.1-25	...F
C	877	87-010-197-080	CAP, CHIP 0.01 DM	...F

ELECTRICAL MAIN PARTS LIST - 5/10

C	879	87-010-314-080	C-CAP,S 22P-50VF.....
C	878	87-010-316-080	C-CAP,S 33P-50 CHF.....
C	876	87-010-405-080	CAP, ELECT 10-50VF.....
C	874	87-010-405-080	CAP, ELECT 10-50VF.....
C	873	87-012-140-080	CAP 470PF.....
C	871	87-012-156-080	C-CAP,S 220P-50 CHF.....
C	872	87-012-156-080	C-CAP,S 220P-50 CHF.....
IC	861	87-A20-440-040	C-IC,BU1920FSF.....
L	861	87-005-847-080	COIL,2.2UH(CECS)F.....
Q	863	87-A30-076-080	C-TR,2SC3052FF.....
Q	861	87-A30-076-080	C-TR,2SC3052FF.....
X	861	87-A70-091-010	VIB,XTAL 4.332MHZ CSA-309F.....
C	831	87-010-406-080	CAP, ELECT 22-50	...DEF.....
C	844	87-010-197-080	CAP, CHIP 0.01 DM	ABCDEF.....
C	842	87-010-197-080	CAP, CHIP 0.01 DM	ABCDEF.....
C	858	87-010-196-080	CHIP CAPACITOR,0.1-25	ABCDEF.....
C	859	87-010-196-080	CHIP CAPACITOR,0.1-25	ABCDEF.....
C	853	87-010-197-080	CAP, CHIP 0.01 DM	ABCDEF.....
C	852	87-010-197-080	CAP, CHIP 0.01 DM	ABCDEF.....
C	851	87-010-197-080	CAP, CHIP 0.01 DM	ABCDEF.....
C	850	87-010-260-080	CAP, ELECT 47-25V	ABCDEF.....
C	860	87-010-197-080	CAP, CHIP 0.01 DM	ABCDEF.....
C	942	87-010-149-080	C-CAP,S 5P-50 CH	...DEF.....
C	947	87-010-197-080	CAP, CHIP 0.01 DM	...DEF.....
C	940	87-010-197-080	CAP, CHIP 0.01 DM	...DEF.....
C	948	87-012-140-080	CAP 470P	...DEF.....
C	959	87-010-196-080	CHIP CAPACITOR,0.1-25	ABCDEF.....
C	952	87-010-197-080	CAP, CHIP 0.01 DM	...DEF.....
C	958	87-010-197-080	CAP, CHIP 0.01 DM	...DEF.....
C	957	87-010-311-080	CAP 12P	...DEF.....
C	961	87-010-152-080	C-CAP,S 8P-50 CH	ABC.....
C	960	87-010-196-080	CHIP CAPACITOR,0.1-25	ABCDEF.....
C	962	87-010-401-080	CAP, ELECT 1-50V	...DEF.....
C	963	87-015-785-080	CHIP CAPACITOR, 0.1FZ-25Z	ABCDEF.....
C	999	87-A11-132-080	CAP,TC U 0.01-50 K B	ABCDEF.....
CF	832	82-785-747-010	CF MS2 GHY R	...DEF.....
CF	831	87-008-261-010	FILTER, SFE10.7MA5-A	ABC.....
CF	832	87-008-261-010	FILTER, SFE10.7MA5-A	ABC.....
CF	831	87-008-423-010	CERAMIC FILTER, SFE10.7	...DEF.....
D	942	87-A40-270-080	C-DIODE,MC2838	...DEF.....
D	944	87-A40-736-080	DIODE,1N4148M(SEM)	...DEF.....
FFE	831	A8-6ZA-191-130	6ZA-1 FEENM
FFE	831	A8-6ZA-195-130	6ZA-1 YFEENM	...DEF.....
FFE	831	A8-8ZA-190-030	8ZA-1 FEUNM
FFE	831	A8-8ZA-191-030	8ZA-1 YFEUNM	...B.....
FFE	831	A8-8ZA-193-070	8ZA-1 YFEUNC	A.C.....
J	831	87-A60-202-010	TERMINAL,ANT 4P MSP-154V-02	ABC.....
J	832	87-A60-403-010	TERMINAL,ANT PAL 2P HSP-312V05	...DEF.....
L	832	87-005-847-080	COIL,2.2UH(CECS)	ABCDEF.....
L	942	87-A50-019-010	COIL,OSC LW(COI)	...DEF.....
L	941	87-A50-020-010	COIL,ANT LW(COI)	...DEF.....
L	951	8A-NF8-667-010	COIL,AM PACK 4(TOK)	ABC.....
L	951	8A-NF8-668-010	COIL,AM PACK 2(TOK)	...DEF.....
Q	836	87-A30-489-080	C-TR,KRA107S	ABCDEF.....
Q	835	89-327-143-080	TR,2SC2714 (0.1W)	ABCDEF.....
Q	948	87-A30-086-070	C-TR,CSD1306E	...DEF.....
Q	951	87-A30-074-080	C-TR,RT1P 141C	...DEF.....
Q	952	87-A30-086-070	C-TR,CSD1306E	...DEF.....
Q	953	89-503-602-080	C-FET,2SK360E	...DEF.....
TC	942	87-011-253-080	TRIMER,30P LAR	...DEF.....
C	9	87-012-368-080	C-CAP,S 0.1-50 F	ABCDEF.....
C	3	87-012-368-080	C-CAP,S 0.1-50 F	ABCDEF.....
C	5	87-012-368-080	C-CAP,S 0.1-50 F	ABCDEF.....
C	4	87-012-368-080	C-CAP,S 0.1-50 F	ABCDEF.....
C	6	87-012-368-080	C-CAP,S 0.1-50 F	ABCDEF.....
C	12	87-012-368-080	C-CAP,S 0.1-50 F	ABCDEF.....
C	15	87-012-368-080	C-CAP,S 0.1-50 F	ABCDEF.....
C	18	87-012-368-080	C-CAP,S 0.1-50 F	ABCDEF.....
C	11	87-012-368-080	C-CAP,S 0.1-50 F	ABCDEF.....
C	10	87-012-368-080	C-CAP,S 0.1-50 F	ABCDEF.....
C	16	87-012-368-080	C-CAP,S 0.1-50 F	ABCDEF.....
C	17	87-012-368-080	C-CAP,S 0.1-50 F	ABCDEF.....
C	19	87-016-520-000	CAP,E 3300-65 M SMG	ABCDEF.....
C	26	87-010-247-080	CAP, ELECT 100-50V	ABCDEF.....
C	25	87-010-408-080	CAP, ELECT 47-50V	ABCDEF.....
C	21	87-016-051-000	CAP,E 2200-35 M SMG	ABCDEF.....
C	22	87-016-051-000	CAP,E 2200-35 M SMG	ABCDEF.....
C	20	87-016-520-000	CAP,E 3300-65 M SMG	ABCDEF.....
C	23	87-016-658-000	CAP,E 4700-35 M SMG	ABCDEF.....
C	24	87-016-658-000	CAP,E 4700-35 M SMG	ABCDEF.....
C	38	87-010-197-080	CAP, CHIP 0.01 DM	ABCDEF.....
C	32	87-010-197-080	CAP, CHIP 0.01 DM	ABCDEF.....
C	34	87-010-260-080	CAP, ELECT 47-25V	ABCDEF.....
C	33	87-010-263-080	CAP, ELECT 100-10V	.BC.....
C	31	87-010-263-080	CAP, ELECT 100-10V	ABCDEF.....
C	35	87-010-380-080	CAP, ELECT 47-16V	ABCDEF.....
C	36	87-010-381-080	CAP, ELECT 330-16V	ABCDEF.....
C	30	87-010-430-080	CAP, ELECT 100-63	ABCDEF.....
C	61	87-010-260-080	CAP, ELECT 47-25V	ABCDEF.....
C	60	87-010-403-080	CAP, ELECT 3.3-50V	ABCDEF.....
C	620	87-010-263-080	CAP, ELECT 100-10V	ABCDEF.....
CNA	1	8A-NF8-654-010	CONN ASSY,11P TID-A(480)	ABCDEF.....

ELECTRICAL MAIN PARTS LIST - 6/10

D	3	87-A40-393-090	DIODE,1N5402GW (F20)	ABCDEF
D	4	87-A40-393-090	DIODE,1N5402GW (F20)	ABCDEF
D	2	87-A40-393-090	DIODE,1N5402GW (F20)	ABCDEF
D	1	87-A40-393-090	DIODE,1N5402GW (F20)	ABCDEF
D	9	87-A40-548-090	DIODE,D3SBA20	.BC
D	18	87-A40-455-080	DIODE,RL203 GW	ABCDEF
D	19	87-A40-455-080	DIODE,RL203 GW	ABCDEF
D	17	87-A40-455-080	DIODE,RL203 GW	ABCDEF
D	10	87-A40-547-090	DIODE,D5SBA20	A..DEF
D	20	87-A40-455-080	DIODE,RL203 GW	ABCDEF
D	26	87-A40-553-080	DIODE,1N4003 LES	ABCDEF
D	27	87-A40-553-080	DIODE,1N4003 LES	ABCDEF
D	29	87-A40-776-080	ZENER,UZ27BSD	ABCDEF
D	33	87-A40-553-080	DIODE,1N4003 LES	ABCDEF
D	35	87-A40-736-080	DIODE,1N4148M (SEM)	ABCDEF
D	30	87-A40-736-080	DIODE,1N4148M (SEM)	ABCDEF
D	34	87-A40-736-080	DIODE,1N4148M (SEM)	ABCDEF
D	31	87-A40-764-080	ZENER,UZ10BSC	ABCDEF
D	50	87-A40-270-080	C-DIODE,MC2838	ABCDEF
D	55	87-A40-553-080	DIODE,1N4003 LES	ABCDEF
D	56	87-A40-553-080	DIODE,1N4003 LES	ABCDEF
D	64	87-A40-269-080	C-DIODE,MC2836	ABCDEF
D	63	87-A40-270-080	C-DIODE,MC2838	ABCDEF
D	69	87-A40-313-080	C-DIODE,MC 2840	ABCDEF
D	62	87-A40-313-080	C-DIODE,MC 2840	ABCDEF
D	68	87-A40-313-080	C-DIODE,MC 2840	ABCDEF
D	61	87-A40-313-080	C-DIODE,MC 2840	ABCDEF
D	67	87-A40-313-080	C-DIODE,MC 2840	ABCDEF
D	65	87-A40-736-080	DIODE,1N4148M (SEM)	ABCDEF
D	60	87-A40-736-080	DIODE,1N4148M (SEM)	ABCDEF
D	66	87-A40-768-080	ZENER,UZ16BSA	ABCDEF
D	73	87-A40-313-080	C-DIODE,MC 2840	ABCDEF
D	77	87-A40-313-080	C-DIODE,MC 2840	ABCDEF
D	76	87-A40-313-080	C-DIODE,MC 2840	ABCDEF
D	74	87-A40-313-080	C-DIODE,MC 2840	ABCDEF
D	78	87-A40-313-080	C-DIODE,MC 2840	ABCDEF
Q	9	87-026-609-080	TR,KTA1266GR	ABCDEF
Q	2	87-026-609-080	TR,KTA1266GR	ABCDEF
Q	1	87-026-609-080	TR,KTA1266GR	ABCDEF
Q	5	87-026-610-080	TR,KTC3198GR	ABCDEF
Q	8	87-A30-075-080	C-TR,2SA1235F	ABCDEF
Q	7	87-A30-075-080	C-TR,2SA1235F	.BC
Q	6	87-A30-076-080	C-TR,2SC3052F	ABCDEF
Q	4	89-213-702-010	TR,2SB1370 (1.8W)	ABCDEF
Q	10	87-A30-076-080	C-TR,2SC3052F	ABCDEF
Q	50	87-A30-075-080	C-TR,2SA1235F	ABCDEF
Q	51	87-A30-075-080	C-TR,2SA1235F	ABCDEF
Q	61	87-A30-075-080	C-TR,2SA1235F	ABCDEF
Q	63	87-A30-075-080	C-TR,2SA1235F	ABCDEF
Q	65	87-A30-075-080	C-TR,2SA1235F	ABCDEF
Q	66	87-A30-075-080	C-TR,2SA1235F	ABCDEF
Q	64	87-A30-076-080	C-TR,2SC3052F	ABCDEF
Q	62	87-A30-076-080	C-TR,2SC3052F	ABCDEF
Q	60	87-A30-076-080	C-TR,2SC3052F	ABCDEF
WH	1	87-A91-179-010	HLDR,WIRE 2.5-11P	ABCDEF
C	606	87-010-179-080	CAP,CHIP S B1200P	ABCDEF
C	605	87-010-179-080	CAP,CHIP S B1200P	ABCDEF
C	609	87-010-213-080	C-CAP,S 0.015-50 B	ABCDEF
C	615	87-010-154-080	CAP CHIP 10P	ABCDEF
C	610	87-010-213-080	C-CAP,S 0.015-50 B	ABCDEF
C	616	87-010-385-080	CAP, ELECT 220-25V	ABCDEF
C	617	87-010-385-080	CAP, ELECT 220-25V	ABCDEF
C	618	87-010-405-080	CAP, ELECT 10-50V	ABCDEF
C	612	87-010-545-080	CAP, ELECT 0.22-50V	ABCDEF
C	611	87-010-545-080	CAP, ELECT 0.22-50V	ABCDEF
C	613	87-010-545-080	CAP, ELECT 0.22-50V	ABCDEF
C	614	87-010-545-080	CAP, ELECT 0.22-50V	ABCDEF
C	631	87-010-185-080	C-CAP,S 3900P-50 B	ABCDEF
C	632	87-010-185-080	C-CAP,S 3900P-50 B	ABCDEF
C	633	87-016-369-080	C-CAP,S 0.033-25 B K	ABCDEF
C	634	87-016-369-080	C-CAP,S 0.033-25 B K	ABCDEF
C	630	87-016-669-080	C-CAP,S 0.1-25 K B	ABCDEF
C	661	87-010-178-080	CHIP CAP 1000P	ABC
C	662	87-010-178-080	CHIP CAP 1000P	ABC
C	669	87-010-180-080	C-CER 1500P	...DEF
C	661	87-012-157-080	C-CAP,S 330P-50 CH	...DEF
C	662	87-012-157-080	C-CAP,S 330P-50 CH	...DEF
C	670	87-010-180-080	C-CER 1500P	...DEF
C	673	87-010-182-080	C-CAP,S 2200P-50 B	A.....
C	672	87-010-196-080	CHIP CAPACITOR,0.1-25	A.....
C	671	87-010-196-080	CHIP CAPACITOR,0.1-25	A.....
C	677	87-010-197-080	CAP, CHIP 0.01 DM	ABCDEF
CN	601	87-099-719-010	CONN,30P TYK-B(X)	ABCDEF
CN	602	87-A60-131-010	CONN,6P V FE	ABCDEF
D	601	87-A40-739-080	ZENER,UZ2.7BSA	ABCDEF
D	602	87-A40-739-080	ZENER,UZ2.7BSA	ABCDEF
IC	601	87-A21-401-040	C-IC,M61503FP	ABCDEF
J	602	87-A60-881-010	JACK,PIN 2P MSP 242V05 PBSN	ABCDEF
Q	607	87-A30-076-080	C-TR,2SC3052F	ABCDEF
Q	602	87-A30-087-080	C-FET,2SK2158	ABCDEF
Q	601	87-A30-087-080	C-FET,2SK2158	ABCDEF
Q	605	87-A30-090-080	FET,2SK2541	ABCDEF

ELECTRICAL MAIN PARTS LIST - 7/10

Q	606	87-A30-090-080	FET,2SK2541	ABCDEF
C	209	87-010-322-080	C-CAP,S 100P-50 CH
C	204	87-010-322-080	C-CAP,S 100P-50 CH
C	203	87-010-322-080	C-CAP,S 100P-50 CH
C	207	87-010-322-080	C-CAP,S 100P-50 CH
C	201	87-010-322-080	C-CAP,S 100P-50 CH
C	202	87-010-322-080	C-CAP,S 100P-50 CH
C	208	87-010-322-080	C-CAP,S 100P-50 CH
C	205	87-010-322-080	C-CAP,S 100P-50 CH
C	206	87-010-322-080	C-CAP,S 100P-50 CH
C	211	87-010-322-080	C-CAP,S 100P-50 CH
C	210	87-010-322-080	C-CAP,S 100P-50 CH
C	253	87-010-196-080	CHIP CAPACITOR,0.1-25
C	256	87-010-405-040	CAP,E 10-50
C	251	87-010-405-040	CAP,E 10-50
C	259	87-010-405-040	CAP,E 10-50
C	255	87-010-560-040	CAP,E 10-50 GAS
C	254	87-012-369-080	C-CAP,S 0.047-50F
C	273	87-010-178-080	CHIP CAP 1000P
C	274	87-010-178-080	CHIP CAP 1000P
C	301	87-010-182-080	C-CAP,S 2200P-50 B
C	302	87-010-196-080	CHIP CAPACITOR,0.1-25
C	315	87-010-196-080	CHIP CAPACITOR,0.1-25
C	316	87-010-196-080	CHIP CAPACITOR,0.1-25
C	314	87-010-196-080	CHIP CAPACITOR,0.1-25
C	312	87-010-498-040	CAP,E 10-16 GAS
C	322	87-010-400-040	CAP,E 0.47-50
C	321	87-012-393-080	C-CAP,S 0.22-16 R K
C	332	87-010-178-080	CHIP CAP 1000P
C	334	87-010-312-080	C-CAP,S 15P-50 CH
C	335	87-012-140-080	CAP 470P
C	336	87-012-155-080	C-CAP 180P-50CH
C	339	87-012-156-080	C-CAP,S 220P-50 CH
C	341	87-010-194-080	CAP, CHIP 0.047
C	340	87-010-197-080	CAP, CHIP 0.01 DM
C	351	87-010-981-040	CAP,E 22-35 5L SRE
C	401	87-010-197-080	CAP, CHIP 0.01 DM
C	452	87-010-196-080	CHIP CAPACITOR,0.1-25
C	455	87-010-196-080	CHIP CAPACITOR,0.1-25
C	454	87-010-196-080	CHIP CAPACITOR,0.1-25
C	453	87-010-196-080	CHIP CAPACITOR,0.1-25
C	451	87-010-196-080	CHIP CAPACITOR,0.1-25
C	603	87-010-322-080	C-CAP,S 100P-50 CH
C	602	87-010-322-080	C-CAP,S 100P-50 CH
C	604	87-010-322-080	C-CAP,S 100P-50 CH
C	650	87-010-196-080	CHIP CAPACITOR,0.1-25
C	699	87-010-196-080	CHIP CAPACITOR,0.1-25
C	101	87-010-183-080	C-CAP,S 2700P-50 B	ABCDEF
C	102	87-010-183-080	C-CAP,S 2700P-50 B	ABCDEF
C	108	87-010-405-080	CAP, ELECT 10-50V	ABCDEF
C	107	87-010-405-080	CAP, ELECT 10-50V	ABCDEF
C	103	87-010-545-080	CAP, ELECT 0.22-50V	ABCDEF
C	104	87-010-545-080	CAP, ELECT 0.22-50V	ABCDEF
C	119	87-010-197-080	CAP, CHIP 0.01 DM	ABCDEF
C	111	87-010-405-080	CAP, ELECT 10-50V	ABCDEF
C	112	87-010-405-080	CAP, ELECT 10-50V	ABCDEF
C	113	87-010-866-080	CAP, ELECT 10-63	ABCDEF
C	114	87-010-866-080	CAP, ELECT 10-63	ABCDEF
C	124	87-010-176-080	C-CAP,S 680P-50 SL	...DEF
C	123	87-010-176-080	C-CAP,S 680P-50 SL	...DEF
C	129	87-010-191-080	C-CAP,S 0.015-50 F	...DEF
C	120	87-010-197-080	CAP, CHIP 0.01 DM	ABCDEF
C	126	87-012-368-080	C-CAP,S 0.1-50 F	ABCDEF
C	128	87-012-368-080	C-CAP,S 0.1-50 F	ABCDEF
C	125	87-012-368-080	C-CAP,S 0.1-50 F	ABCDEF
C	127	87-012-368-080	C-CAP,S 0.1-50 F	ABCDEF
C	133	87-010-186-080	CAP,CHIP 4700P	ABCDEF
C	130	87-010-191-080	C-CAP,S 0.015-50 F	...DEF
C	132	87-010-197-080	CAP, CHIP 0.01 DM	...DEF
C	131	87-010-197-080	CAP, CHIP 0.01 DM	...DEF
C	140	87-010-182-080	C-CAP,S 2200P-50 B	ABCDEF
C	141	87-010-196-080	CHIP CAPACITOR,0.1-25	ABCDEF
D	101	87-A40-269-080	C-DIODE,MC2836	ABCDEF
D	116	87-A40-270-080	C-DIODE,MC2838	ABCDEF
IC	101	87-A21-417-010	IC,STK490-310	ABCDEF
J	203	87-A60-238-010	TERMINAL,SP 4P (MSC)	ABCDEF
J	201	87-A60-483-010	JACK,DIA6.3 BLK ST W/S KM	ABCDEF
L	102	87-003-383-010	COIL,1UH-S	ABCDEF
L	101	87-003-383-010	COIL,1UH-S	ABCDEF
Q	124	87-A30-107-070	C-TR,CMBT5401	ABCDEF
Q	126	87-A30-107-070	C-TR,CMBT5401	ABCDEF
Q	123	87-A30-107-070	C-TR,CMBT5401	ABCDEF
Q	130	87-A30-106-040	C-TR,CMBT5551	ABCDEF
R	129	87-A00-257-080	RES,M/F 0.15-1W J	ABCDEF
R	130	87-A00-257-080	RES,M/F 0.15-1W J	ABCDEF
R	145	87-A00-439-050	RES,180-1/2W J RP	.BCDEF
R	143	87-A00-439-050	RES,180-1/2W J RP	.BCDEF
R	144	87-A00-439-050	RES,180-1/2W J RP	.BCDEF
R	146	87-A00-439-050	RES,180-1/2W J RP	.BCDEF
R	146	87-A00-440-050	RES,220-1/2W J RP	A
R	145	87-A00-440-050	RES,220-1/2W J RP	A
R	143	87-A00-440-050	RES,220-1/2W J RP	A

ELECTRICAL MAIN PARTS LIST - 8/10

R	144	87-A00-440-050	RES,220-1/2W J RP	A.....
C	203	87-010-182-080	C-CAP,S 2200P-50 B	ABCDEF.....
C	204	87-010-182-080	C-CAP,S 2200P-50 B	ABCDEF.....
C	209	87-010-402-080	CAP, ELECT 2.2-50V	ABCDEF.....
C	206	87-012-140-080	CAP 470P	ABCDEF.....
C	205	87-012-140-080	CAP 470P	ABCDEF.....
C	212	87-010-184-080	CHIP CAPACITOR 3300P(K)	ABCDEF.....
C	211	87-010-184-080	CHIP CAPACITOR 3300P(K)	ABCDEF.....
C	210	87-010-402-080	CAP, ELECT 2.2-50V	ABCDEF.....
C	213	87-010-402-080	CAP, ELECT 2.2-50V	ABCDEF.....
C	214	87-010-402-080	CAP, ELECT 2.2-50V	ABCDEF.....
C	218	87-010-405-080	CAP, ELECT 10-50V	ABCDEF.....
C	217	87-010-405-080	CAP, ELECT 10-50V	ABCDEF.....
C	223	87-010-190-080	S CHIP F 0.01	ABCDEF.....
C	224	87-010-190-080	S CHIP F 0.01	ABCDEF.....
C	229	87-010-196-080	CHIP CAPACITOR,0.1-25	ABCDEF.....
C	220	87-010-405-080	CAP, ELECT 10-50V	ABCDEF.....
C	228	87-010-405-080	CAP, ELECT 10-50V	ABCDEF.....
C	234	87-010-190-080	S CHIP F 0.01	...DEF.....
C	233	87-010-190-080	S CHIP F 0.01	...DEF.....
C	232	87-010-196-080	CHIP CAPACITOR,0.1-25	ABCDEF.....
C	239	87-010-196-080	CHIP CAPACITOR,0.1-25	ABCDEF.....
C	231	87-010-196-080	CHIP CAPACITOR,0.1-25	ABCDEF.....
C	230	87-010-196-080	CHIP CAPACITOR,0.1-25	ABCDEF.....
C	238	87-010-322-080	C-CAP,S 100P-50 CH	...DEF.....
C	237	87-010-322-080	C-CAP,S 100P-50 CH	...DEF.....
C	270	87-010-197-080	CAP, CHIP 0.01 DM	...DEF.....
D	202	87-A40-269-080	C-DIODE,MC2836	ABCDEF.....
IC	201	87-A21-396-010	IC,STK490-040	ABCDEF.....
J	204	87-A61-153-010	JACK,PIN 4P R/W(BL) (SEPA) KM	..BCDEF.....
J	205	87-A61-157-010	JACK,PIN 2P R/W/BL V(SEPA) KM	A.....
L	202	87-003-383-010	COIL,1UH-S	ABCDEF.....
L	201	87-003-383-010	COIL,1UH-S	ABCDEF.....
Q	202	87-A30-076-080	C-TR,2SC3052F	ABCDEF.....
Q	201	87-A30-076-080	C-TR,2SC3052F	ABCDEF.....
Q	219	87-A30-107-070	C-TR,CMBT5401	ABCDEF.....
Q	220	87-A30-107-070	C-TR,CMBT5401	ABCDEF.....
R	234	87-A00-258-080	RES,M/F 0.22-1W J	ABCDEF.....
R	233	87-A00-258-080	RES,M/F 0.22-1W J	ABCDEF.....
C	503	87-010-112-040	CAP,E 100-16
C	502	87-010-186-080	CAP,CHIP 4700P
C	506	87-010-320-080	CHIP CAP 68P
C	504	87-010-405-040	CAP,E 10-50
C	508	87-010-544-040	CAP,E 0.1-50 SME
C	507	87-010-544-040	CAP,E 0.1-50 SME
C	505	87-010-545-040	CAP,E 0.22-50 SME
C	515	87-010-178-080	CHIP CAP 1000P
C	512	87-010-178-080	CHIP CAP 1000P
C	513	87-010-196-080	CHIP CAPACITOR,0.1-25
C	511	87-010-265-040	CAP,E 33-16 SME
C	510	87-010-322-080	C-CAP,S 100P-50 CH
C	973	87-010-197-080	CAP, CHIP 0.01 DM
C	974	87-010-197-080	CAP, CHIP 0.01 DM
C	979	87-010-322-080	C-CAP,S 100P-50 CH
C	971	87-010-381-080	CAP, ELECT 330-16V
C	972	87-010-404-080	CAP, ELECT 4.7-50V
C	982	87-010-196-080	CHIP CAPACITOR,0.1-25
C	984	87-010-197-080	CAP, CHIP 0.01 DM
C	987	87-010-197-080	CAP, CHIP 0.01 DM
C	983	87-010-197-080	CAP, CHIP 0.01 DM
C	981	87-010-260-080	CAP, ELECT 47-25V
C	995	87-010-178-080	CHIP CAP 1000P
C	993	87-010-178-080	CHIP CAP 1000P
C	997	87-010-196-080	CHIP CAPACITOR,0.1-25
C	998	87-010-260-080	CAP, ELECT 47-25V
C	991	87-010-312-080	C-CAP,S 15P-50 CH
C	992	87-010-312-080	C-CAP,S 15P-50 CH
R	991	87-010-322-080	C-CAP,S 100P-50 CH
R	993	87-010-322-080	C-CAP,S 100P-50 CH
R	995	87-010-322-080	C-CAP,S 100P-50 CH
C	772	87-010-197-080	CAP, CHIP 0.01 DM
C	771	87-010-263-080	CAP, ELECT 100-10V
C	788	87-010-149-080	C-CAP,S 5P-50 CH
C	786	87-010-197-080	CAP, CHIP 0.01 DM
C	784	87-010-197-080	CAP, CHIP 0.01 DM
C	782	87-010-197-080	CAP, CHIP 0.01 DM
C	785	87-010-197-080	CAP, CHIP 0.01 DM
C	783	87-010-197-080	CAP, CHIP 0.01 DM
C	789	87-A12-052-080	C-CAP,S 0.033-25 J B
C	791	87-010-196-080	CHIP CAPACITOR,0.1-25
C	792	87-010-197-080	CAP, CHIP 0.01 DM
C	798	87-010-197-080	CAP, CHIP 0.01 DM
C	796	87-010-197-080	CAP, CHIP 0.01 DM
C	795	87-010-197-080	CAP, CHIP 0.01 DM
C	793	87-010-404-080	CAP, ELECT 4.7-50V
C	797	87-010-405-080	CAP, ELECT 10-50V
C	799	87-010-407-080	CAP, ELECT 33-50V
C	790	87-A12-052-080	C-CAP,S 0.033-25 J B
C	802	87-010-194-080	CAP, CHIP 0.047
C	803	87-010-198-080	CAP, CHIP 0.022
C	804	87-010-263-080	CAP, ELECT 100-10V
C	807	87-010-400-080	CAP, ELECT 0.47-50V

ELECTRICAL MAIN PARTS LIST - 9/10

C	808	87-010-401-080	CAP, ELECT 1-50V
C	809	87-010-401-080	CAP, ELECT 1-50V
C	801	87-010-403-080	CAP, ELECT 3.3-50V
C	800	87-012-369-080	C-CAP,S 0.047-50F
C	810	87-010-196-080	CHIP CAPACITOR,0.1-25
C	814	87-010-197-080	CAP, CHIP 0.01 DM
C	815	87-010-400-080	CAP, ELECT 0.47-50V
C	816	87-010-400-080	CAP, ELECT 0.47-50V
C	823	87-010-177-080	C-CAP,S 820P-50 SL
C	821	87-010-405-080	CAP, ELECT 10-50V
C	824	87-010-405-080	CAP, ELECT 10-50V
C	825	87-010-596-080	CAP, S 0.047-16
R	790	87-010-197-080	CAP, CHIP 0.01 DM
C	844	87-010-197-080	CAP, CHIP 0.01 DM
C	842	87-010-197-080	CAP, CHIP 0.01 DM
C	859	87-010-196-080	CHIP CAPACITOR,0.1-25
C	858	87-010-196-080	CHIP CAPACITOR,0.1-25
C	853	87-010-197-080	CAP, CHIP 0.01 DM
C	851	87-010-197-080	CAP, CHIP 0.01 DM
C	852	87-010-197-080	CAP, CHIP 0.01 DM
C	850	87-010-260-080	CAP, ELECT 47-25V
C	860	87-010-197-080	CAP, CHIP 0.01 DM
C	959	87-010-196-080	CHIP CAPACITOR,0.1-25
C	961	87-010-152-080	C-CAP,S 8P-50 CH
C	960	87-010-196-080	CHIP CAPACITOR,0.1-25
C	963	87-015-785-080	CHIP CAPACITOR, 0.1FZ-25Z
C	999	87-A11-132-080	CAP,TC U 0.01-50 K B
C	4	87-012-368-080	C-CAP,S 0.1-50 F
C	9	87-012-368-080	C-CAP,S 0.1-50 F
C	5	87-012-368-080	C-CAP,S 0.1-50 F
C	6	87-012-368-080	C-CAP,S 0.1-50 F
C	3	87-012-368-080	C-CAP,S 0.1-50 F
C	16	87-012-368-080	C-CAP,S 0.1-50 F
C	18	87-012-368-080	C-CAP,S 0.1-50 F
C	10	87-012-368-080	C-CAP,S 0.1-50 F
C	15	87-012-368-080	C-CAP,S 0.1-50 F
C	11	87-012-368-080	C-CAP,S 0.1-50 F
C	17	87-012-368-080	C-CAP,S 0.1-50 F
C	12	87-012-368-080	C-CAP,S 0.1-50 F
C	19	87-016-520-000	CAP,E 3300-65 M SMG
C	26	87-010-247-080	CAP, ELECT 100-50V
C	25	87-010-408-080	CAP, ELECT 47-50V
C	21	87-016-051-000	CAP,E 2200-35 M SMG
C	22	87-016-051-000	CAP,E 2200-35 M SMG
C	20	87-016-520-000	CAP,E 3300-65 M SMG
C	32	87-010-197-080	CAP, CHIP 0.01 DM
C	38	87-010-197-080	CAP, CHIP 0.01 DM
C	34	87-010-260-080	CAP, ELECT 47-25V
C	31	87-010-263-080	CAP, ELECT 100-10V
C	35	87-010-380-080	CAP, ELECT 47-16V
C	36	87-010-381-080	CAP, ELECT 330-16V
C	30	87-010-430-080	CAP, ELECT 100-63
C	61	87-010-260-080	CAP, ELECT 47-25V
C	60	87-010-403-080	CAP, ELECT 3.3-50V
C	620	87-010-263-080	CAP, ELECT 100-10V
C	303	87-010-178-080	CHIP CAP 1000P
C	304	87-010-178-080	CHIP CAP 1000P
C	302	87-010-178-080	CHIP CAP 1000P
C	301	87-010-178-080	CHIP CAP 1000P
C	307	87-010-263-080	CAP, ELECT 100-10V
C	308	87-010-263-080	CAP, ELECT 100-10V
C	309	87-010-318-080	C-CAP,S 47P-50 CH
C	314	87-010-188-080	CAP,CHIP 6800P
C	313	87-010-188-080	CAP,CHIP 6800P
C	315	87-010-263-080	CAP, ELECT 100-10V
C	310	87-010-318-080	C-CAP,S 47P-50 CH
C	318	87-010-546-080	CAP, ELECT 0.33-50V
C	317	87-010-546-080	CAP, ELECT 0.33-50V
C	326	87-010-198-080	CAP, CHIP 0.022
C	327	87-012-368-080	C-CAP,S 0.1-50 F
C	360	87-010-401-080	CAP, ELECT 1-50V
C	399	87-012-140-080	CAP 470P
C	409	87-010-182-080	C-CAP,S 2200P-50 B
C	408	87-010-197-080	CAP, CHIP 0.01 DM
C	406	87-010-197-080	CAP, CHIP 0.01 DM
C	407	87-010-197-080	CAP, CHIP 0.01 DM
C	405	87-010-197-080	CAP, CHIP 0.01 DM
C	403	87-010-321-080	CHIP CAPACITOR,82P(J)
C	404	87-010-321-080	CHIP CAPACITOR,82P(J)
C	401	87-010-544-080	CAP, ELECT 0.1-50V
C	402	87-010-544-080	CAP, ELECT 0.1-50V
C	410	87-010-182-080	C-CAP,S 2200P-50 B
C	412	87-010-405-080	CAP, ELECT 10-50V
C	411	87-010-405-080	CAP, ELECT 10-50V
C	459	87-010-175-080	CAP 560P
C	458	87-010-178-080	CHIP CAP 1000P
C	453	87-010-183-080	C-CAP,S 2700P-50 B
C	455	87-010-183-080	C-CAP,S 2700P-50 B
C	454	87-010-183-080	C-CAP,S 2700P-50 B
C	456	87-010-197-080	CAP, CHIP 0.01 DM
C	452	87-010-382-080	CAP, ELECT 22-25V
C	460	87-010-196-080	CHIP CAPACITOR,0.1-25

ELECTRICAL MAIN PARTS LIST - 10/10

C	462	87-012-158-080	C-CAP,S 390P-50 CH
C	461	87-012-158-080	C-CAP,S 390P-50 CH
C	606	87-010-179-080	CAP,CHIP S B1200P
C	605	87-010-179-080	CAP,CHIP S B1200P
C	609	87-010-213-080	C-CAP,S 0.015-50 B
C	615	87-010-154-080	CAP CHIP 10P
C	610	87-010-213-080	C-CAP,S 0.015-50 B
C	616	87-010-385-080	CAP, ELECT 220-25V
C	617	87-010-385-080	CAP, ELECT 220-25V
C	618	87-010-405-080	CAP, ELECT 10-50V
C	611	87-010-545-080	CAP, ELECT 0.22-50V
C	612	87-010-545-080	CAP, ELECT 0.22-50V
C	614	87-010-545-080	CAP, ELECT 0.22-50V
C	613	87-010-545-080	CAP, ELECT 0.22-50V
C	631	87-010-185-080	C-CAP,S 3900P-50 B
C	632	87-010-185-080	C-CAP,S 3900P-50 B
C	633	87-016-369-080	C-CAP,S 0.033-25 B K
C	634	87-016-369-080	C-CAP,S 0.033-25 B K
C	630	87-016-669-080	C-CAP,S 0.1-25 K B
C	662	87-010-178-080	CHIP CAP 1000P
C	661	87-010-178-080	CHIP CAP 1000P
C	673	87-010-182-080	C-CAP,S 2200P-50 B
C	672	87-010-196-080	CHIP CAPACITOR,0.1-25
C	671	87-010-196-080	CHIP CAPACITOR,0.1-25
C	677	87-010-197-080	CAP, CHIP 0.01 DM
C	102	87-010-183-080	C-CAP,S 2700P-50 B
C	101	87-010-183-080	C-CAP,S 2700P-50 B
C	107	87-010-405-080	CAP, ELECT 10-50V
C	108	87-010-405-080	CAP, ELECT 10-50V
C	104	87-010-545-080	CAP, ELECT 0.22-50V
C	103	87-010-545-080	CAP, ELECT 0.22-50V
C	119	87-010-197-080	CAP, CHIP 0.01 DM
C	111	87-010-405-080	CAP, ELECT 10-50V
C	112	87-010-405-080	CAP, ELECT 10-50V
C	114	87-010-866-080	CAP, ELECT 10-63
C	113	87-010-866-080	CAP, ELECT 10-63
C	120	87-010-197-080	CAP, CHIP 0.01 DM
C	127	87-012-368-080	C-CAP,S 0.1-50 F
C	128	87-012-368-080	C-CAP,S 0.1-50 F
C	126	87-012-368-080	C-CAP,S 0.1-50 F
C	125	87-012-368-080	C-CAP,S 0.1-50 F
C	133	87-010-186-080	CAP,CHIP 4700P
C	140	87-010-182-080	C-CAP,S 2200P-50 B
C	141	87-010-196-080	CHIP CAPACITOR,0.1-25
R	143	87-A00-440-050	RES,220-1/2W J RP
R	146	87-A00-440-050	RES,220-1/2W J RP
R	145	87-A00-440-050	RES,220-1/2W J RP
R	144	87-A00-440-050	RES,220-1/2W J RP
C	203	87-010-182-080	C-CAP,S 2200P-50 B
C	204	87-010-182-080	C-CAP,S 2200P-50 B
C	209	87-010-402-080	CAP, ELECT 2.2-50V
C	206	87-012-140-080	CAP 470P
C	205	87-012-140-080	CAP 470P
C	212	87-010-184-080	CHIP CAPACITOR 3300P(K)
C	211	87-010-184-080	CHIP CAPACITOR 3300P(K)
C	213	87-010-402-080	CAP, ELECT 2.2-50V
C	214	87-010-402-080	CAP, ELECT 2.2-50V
C	210	87-010-402-080	CAP, ELECT 2.2-50V
C	217	87-010-405-080	CAP, ELECT 10-50V
C	218	87-010-405-080	CAP, ELECT 10-50V
C	224	87-010-190-080	S CHIP F 0.01
C	223	87-010-190-080	S CHIP F 0.01
C	229	87-010-196-080	CHIP CAPACITOR,0.1-25
C	228	87-010-405-080	CAP, ELECT 10-50V
C	220	87-010-405-080	CAP, ELECT 10-50V
C	239	87-010-196-080	CHIP CAPACITOR,0.1-25
C	231	87-010-196-080	CHIP CAPACITOR,0.1-25
C	232	87-010-196-080	CHIP CAPACITOR,0.1-25
C	230	87-010-196-080	CHIP CAPACITOR,0.1-25
C	508	87-010-178-080	CHIP CAP 1000P
C	507	87-010-196-080	CHIP CAPACITOR,0.1-25
C	518	87-010-196-080	CHIP CAPACITOR,0.1-25
C	519	87-010-401-080	CAP, ELECT 1-50V
C	520	87-010-401-080	CAP, ELECT 1-50V
C	524	87-010-545-080	CAP, ELECT 0.22-50V
C	523	87-010-545-080	CAP, ELECT 0.22-50V
C	526	87-010-545-080	CAP, ELECT 0.22-50V
C	525	87-010-545-080	CAP, ELECT 0.22-50V
C	521	87-010-546-080	CAP, ELECT 0.33-50V
C	522	87-010-546-080	CAP, ELECT 0.33-50V
C	1	87-010-387-080	CAP,E 470-25 SME
C	31	87-010-403-040	CAP,E 3.3-50 SME

MECHANICAL PARTS LIST - 1/2

NOTE: The characters in the suffix column indicate the part usage.

NBL54	LHSC	XX	A
NAJ54	USFD	XX	B
NAJ54	USC	XX	C
NBL54	KSFD	XX	D
NBL54	EZSFD	XX	E
NBL56	EZSFD	XX	F

REF.NO	PARTS NO.	KANRI NO.	DESCRIPTION	SUFFIX
	8A-NF8-005-010		PANEL, TOP	ABCDEF
	8A-NF8-006-010		WINDOW, TOP	ABCDEF
	8A-NF8-007-010		PANEL, LEFT V-2	ABCDEF
	8A-NF8-008-010		PANEL, RIGHT V-2	ABCDEF
	8A-NF8-072-110		CABI, REAR HASM	
	8A-NF8-075-010		CABI, REAR HS W/O SPEC	
	8A-NFJ-001-010		CABI, FR U	.BCDE
	8A-NFJ-002-010		BOX, CASS 1 U	.BC
	8A-NFJ-003-010		BOX, CASS 2 U	.BCDEF
	8A-NFJ-004-010		WINDOW, FR 1	.BCDEF
	8A-NFJ-005-010		WINDOW, FR 2	ABCDEF
	8A-NFJ-006-010		WINDOW, FR 1H	A
	8A-NFJ-008-010		WINDOW, CD	ABCDEF
	8A-NFJ-009-010		PANEL, TRAY	ABCDEF
	8A-NFJ-010-010		WINDOW, TRAY	ABCDEF
	8A-NFJ-011-010		WINDOW, DISP U	.BC
	8A-NFJ-012-010		WINDOW, CASS 1	ABCDEF
	8A-NFJ-013-010		WINDOW, CASS 2	ABCDEF
	8A-NFJ-033-010		CABI, FR H	A
	8A-NFJ-034-010		CABI, FR EF
	8A-NFJ-035-010		BOX, CASS 1H	A..DEF
	8A-NFJ-036-010		BOX, CASS 2H	A
	8A-NFJ-039-010		WINDOW, DISP H	A..DEF
	8A-NFJ-040-010		WINDOW, DISP E	
	8A-NFJ-043-010		WINDOW, DISP 54J	
	8A-NFJ-050-010		CABI, REAR USM	
	8A-NFJ-054-010		CABI, REAR KSE	
	8A-NFJ-059-010		CABI, REAR EZSM	
	8A-NFJ-060-010		CABI, REAR EZSM R	
	8A-NFJ-061-010		CABI, REAR KSM	
	8A-NFJ-062-010		CABI, REAR USC	..C
	8A-NFJ-063-010		CABI, REAR LHSC	A
	8A-NFJ-064-010		CABI, REAR KSFD	..D
	8A-NFJ-065-010		CABI, REAR EZSFD	..E
	8A-NFJ-066-010		CABI, REAR EZSFD RF
	8A-NFJ-067-010		CABI, REAR USFD	.B
	8A-NFJ-014-010		KEY, POWER	ABCDEF
	8A-NFJ-015-010		REFLECTOR, ECO	ABCDEF
	8A-NFJ-016-010		REFLECTOR, FUN	ABCDEF
	8A-NFJ-017-010		KNOB, RTRY JOG	ABCDEF
	8A-NFJ-018-010		KEY, FUN	ABCDEF
	8A-NFJ-019-010		KEY, GEQ	ABCDEF
	8A-NFJ-025-010		KEY, CD EDIT U	.BCDE
	8A-NFJ-026-010		KNOB, RTRY MIC	A
	8A-NFJ-027-010		KEY, DISC	ABCDEF
	8A-NFJ-028-010		KEY, ASSY OPE 1WAY	.BC
	8A-NFJ-029-010		KEY, ASSY OPE REV	A..DEF
	8A-NFJ-030-010		KEY, CD EDIT H	A
	8A-NFJ-031-010		KEY, CD EDIT EF
	87-NF6-615-010		CONN ASSY, 3P PB	A
	87-NF6-616-010		CONN ASSY, 8P RPB	A
	84-ZG1-245-210		CAP, OPTICAL	ABCDEF
	82-NF5-218-010		SPR-T, EJECT 1 (SIN)	A
	82-NF5-219-010		SPR-T, EJECT 2 (SIN)	A
	82-NF5-229-010		PLATE, LOCK	ABCDEF
	86-NF9-224-010		SPR-C, LOCK	ABCDEF
	87-064-080-010		WIRE, BINDER	A..DEF
	87-064-185-010		HLDR, WIRE	ABCDEF
	87-NF4-216-010		HLDR, LOCK 1	ABCDEF
	87-NF4-217-110		HLDR, LOCK 2	ABCDEF
	87-NF4-221-010		HLDR, CABLE	ABCDEF
	8A-DB8-209-010		HLDR, PWB PT	ABCDEF
	8A-NF8-205-010		HLDR, IC	.B.DEF
	8A-NF8-206-010		HLDR, PWB M	ABCDEF
	8A-NF8-207-010		SPR-T, EJECT 1	.BCDEF
	8A-NF8-208-010		SPR-T, EJECT 2	.BCDEF
	8A-NF8-209-010		OIL-DMPR, 120	.BCDEF
	8A-NF8-216-010		HLDR, IC C	A.C
	8Z-NB8-240-010		COVER, PL	ABCDEF
	8Z-NF6-210-010		DMPR, 150 N	A
	87-067-581-010		TAPPING SCREW, BVT2+3-15	ABCDEF
	87-067-641-010		UTT2+3-8 (W/O SLOT)BL	ABCDEF
	87-067-688-010		BVTT+3-6	ABCDEF
	87-067-703-010		TAPPING SCREW, BVT2+3-10	ABCDEF
	87-078-191-010		S-SCREW, IT+4-10	ABCDEF
	87-721-096-410		QT2+3-10 GLD	ABCDEF
	87-721-097-410		QT2+3-12 GLD	ABCDEF
	87-723-096-410		QT2+3-10W/O SLOT BL	
	87-NF4-224-010		S-SCREW, IT3B+3-8 CU	ABCDEF
	87-067-581-010		TAPPING SCREW, BVT2+3-15	
	87-067-641-010		UTT2+3-8 (W/O SLOT)BL	

MECHANICAL PARTS LIST - 2/2

		87-067-688-010	BVTT+3-6
		87-067-703-010	TAPPING SCREW, BVT2+3-10
		87-721-096-410	QT2+3-10 GLD
		87-721-097-410	QT2+3-12 GLD
		88-NF8-205-010	GUIDE,FL	ABCDEF.....
*		8A-NF8-201-010	GUIDE,FUN	ABCDEF.....
*		8A-NF8-202-010	GUIDE,OPE 1WAY	.BC.....
*		8A-NF8-203-010	GUIDE,OPE REV	A..DEF.....
		87-067-703-010	TAPPING SCREW, BVT2+3-10	ABCDEF.....
		87-067-703-010	TAPPING SCREW, BVT2+3-10
		87-010-178-080	CHIP CAP 1000P	A.....
		87-085-185-010	BUSHING, AC CORD (E)	A..DEF.....
		87-099-811-010	PLUG,ADPTR CONV(K)	...D.....
		87-A91-422-010	BUSHING,AC CORD(U)	.BC.....
		88-906-251-110	FF-CABLE,6P 1.25	ABCDEF.....
		88-911-101-110	FF-CABLE,11P 1.25	.BCDEF.....
		88-913-301-110	FF-CABLE,13P-1.25	ABCDEF.....
		88-915-101-110	FF-CABLE, 15P 1.25 100MM	A.....
PT	1	8A-NF8-604-010	PT,ANF-8 U	.BC.....
PT	1	8A-NF8-605-010	PT,ANF-8 LH	A.....
PT	1	8A-NF8-608-010	PT,ANF-8 EZ	...DEF.....
W	1	87-A80-092-010	AC CORD ASSY,E BLK SUN FAI	A...EF.....
W	1	87-A80-110-010	AC CORD ASSY,U SPT-2W	.BC.....
W	1	87-A80-143-010	AC CORD ASSY,E BLK	...D.....
WH	1	87-A91-179-010	HLDL,R,WIRE 2.5-11P	ABCDEF.....

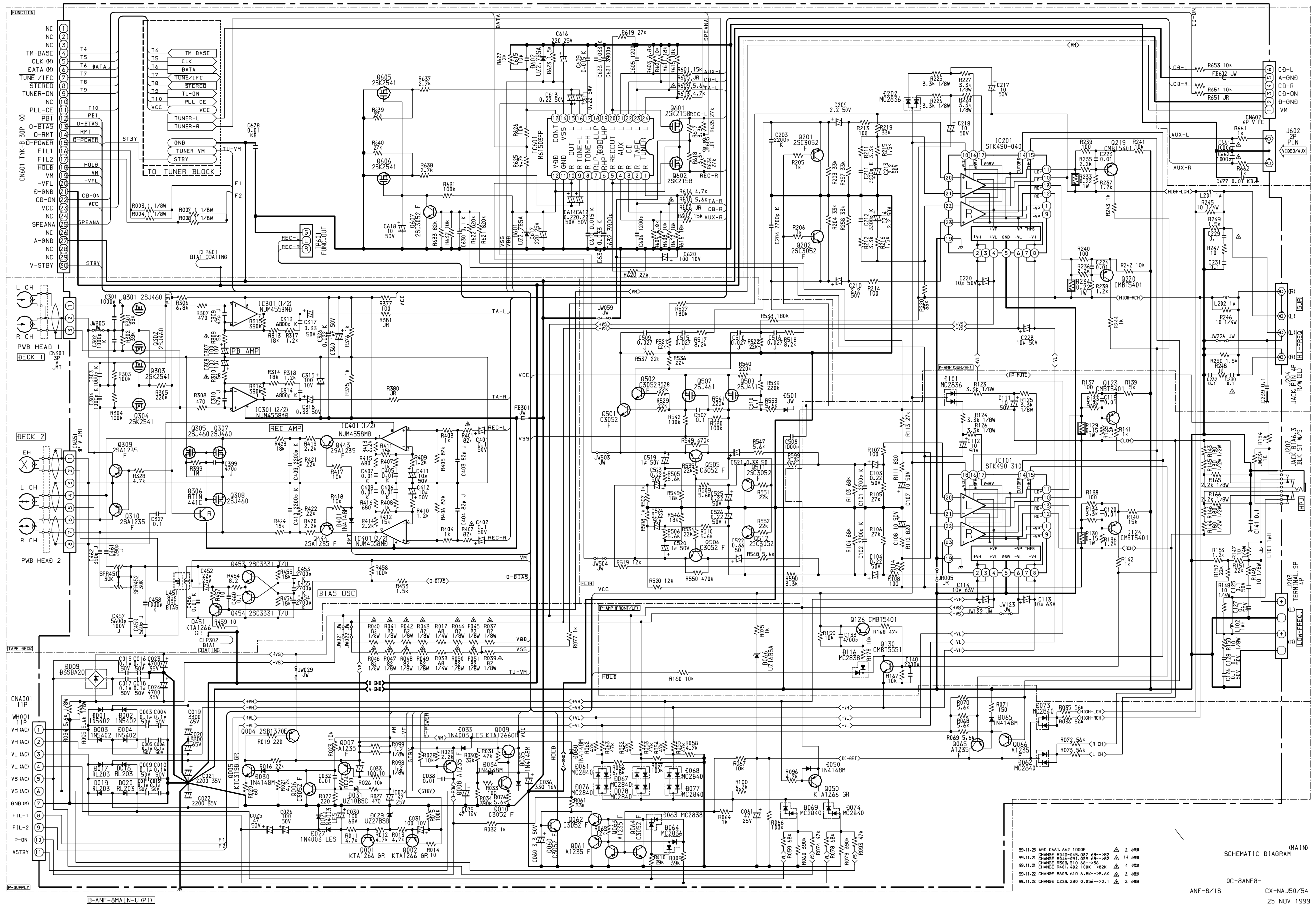
ACCESSORIES / PACKAGE LIST - 1/1

NOTE: The characters in the suffix column indicate the part usage.

NBL54	LHSCXX.....	A.....
NAJ54	USFDXX.....	B.....
NAJ54	USCXX.....	C.....
NBL54	KSFDXX.....	D.....
NBL54	EZSFDXX.....	E.....
NBL56	EZSFDXX.....	F.....

REF.NO	PARTS NO.	KANRI NO.	DESCRIPTION	SUFFIX
	8A-NFJ-902-010		IB, LH (ESP) B	A.....
	8A-NFJ-903-010		IB, U (ESF) B	..C.....
	8A-NFJ-905-010		IB, K (E) MD.....
	8A-NFJ-906-010		IB, EZ (9L) M 54E.....
	8A-NFJ-913-010		IB, U (ESF) M	..B.....
	8A-NFJ-915-010		IB, K (E) E
	8A-NFJ-916-010		IB, EZ (9L) M 56 RDSF.....
	8A-NFJ-932-010		IB, LH-KIT (BRA)
	87-006-225-010		AM LOOP ANT NC2
	87-006-268-010		AM-LOOP ANT NC (UN)	..B.DEF.....
	87-043-115-010		ANT, FEEDER FM	ABC.....
	87-A90-030-010		ANT, LOOP AM-NC C	A.C.....
	87-A90-118-010		ANT, WIRE FM (Z)DEF.....
	87-A91-017-010		PLUG, CONVERSION JT-0476	A.....
	8Z-NF8-702-010		RC UNIT, RC-ZAS01	A..DEF.....
	8Z-NF9-702-010		RC UNIT, ZAS02	..BC.....

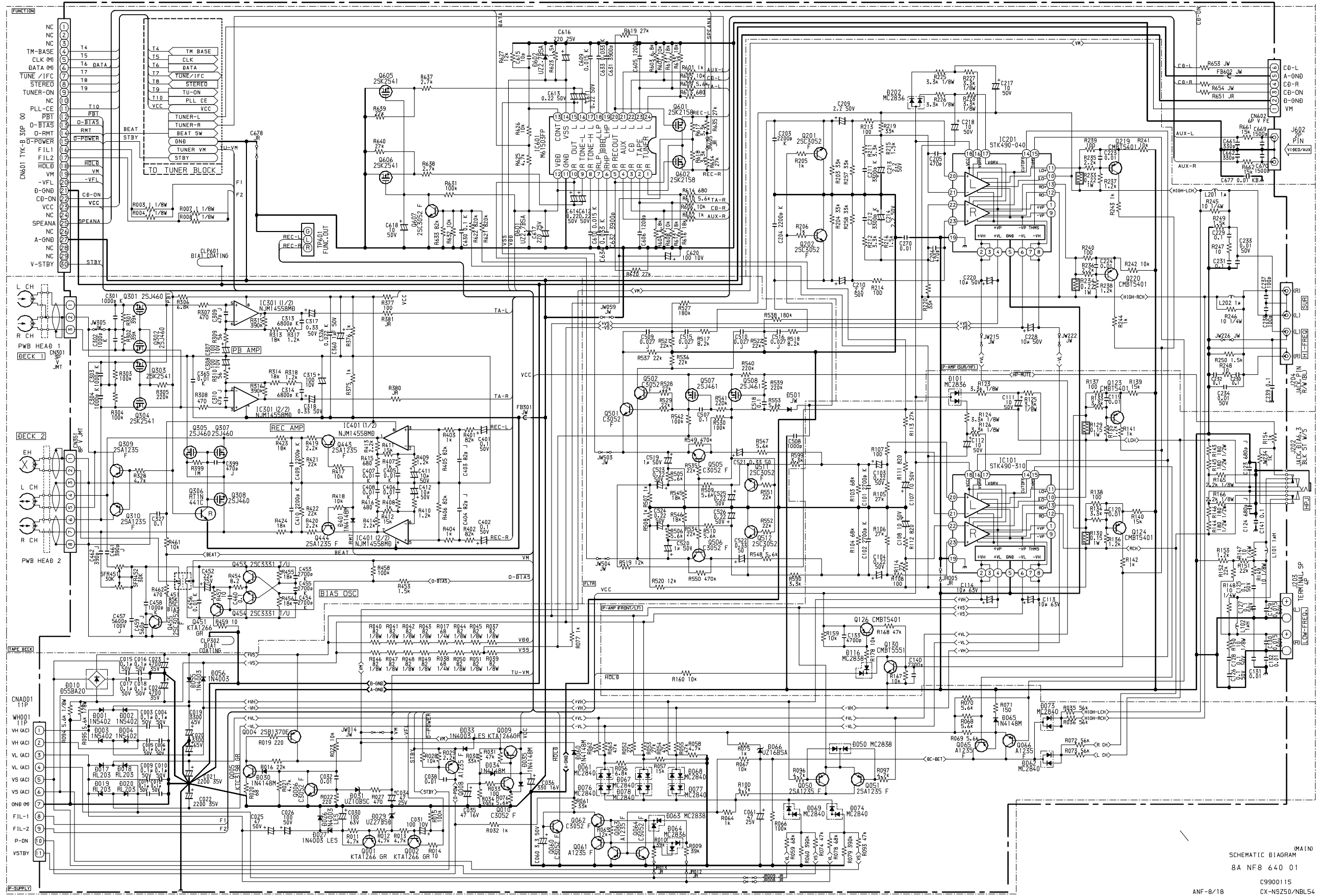
SCHEMATIC DIAGRAM - 1 (MAIN) <AJ54U>



- 99.11.25 ADD C461, 462 1000P
- 99.11.24 CHANGE R042-045 037 68-382
- 99.11.24 CHANGE R044-051 038 68-382
- 99.11.24 CHANGE R058, R10 68-35
- 99.11.22 CHANGE R609, 610 6.8K-75.4K
- 99.11.22 CHANGE C228, 230 0.056-10.1

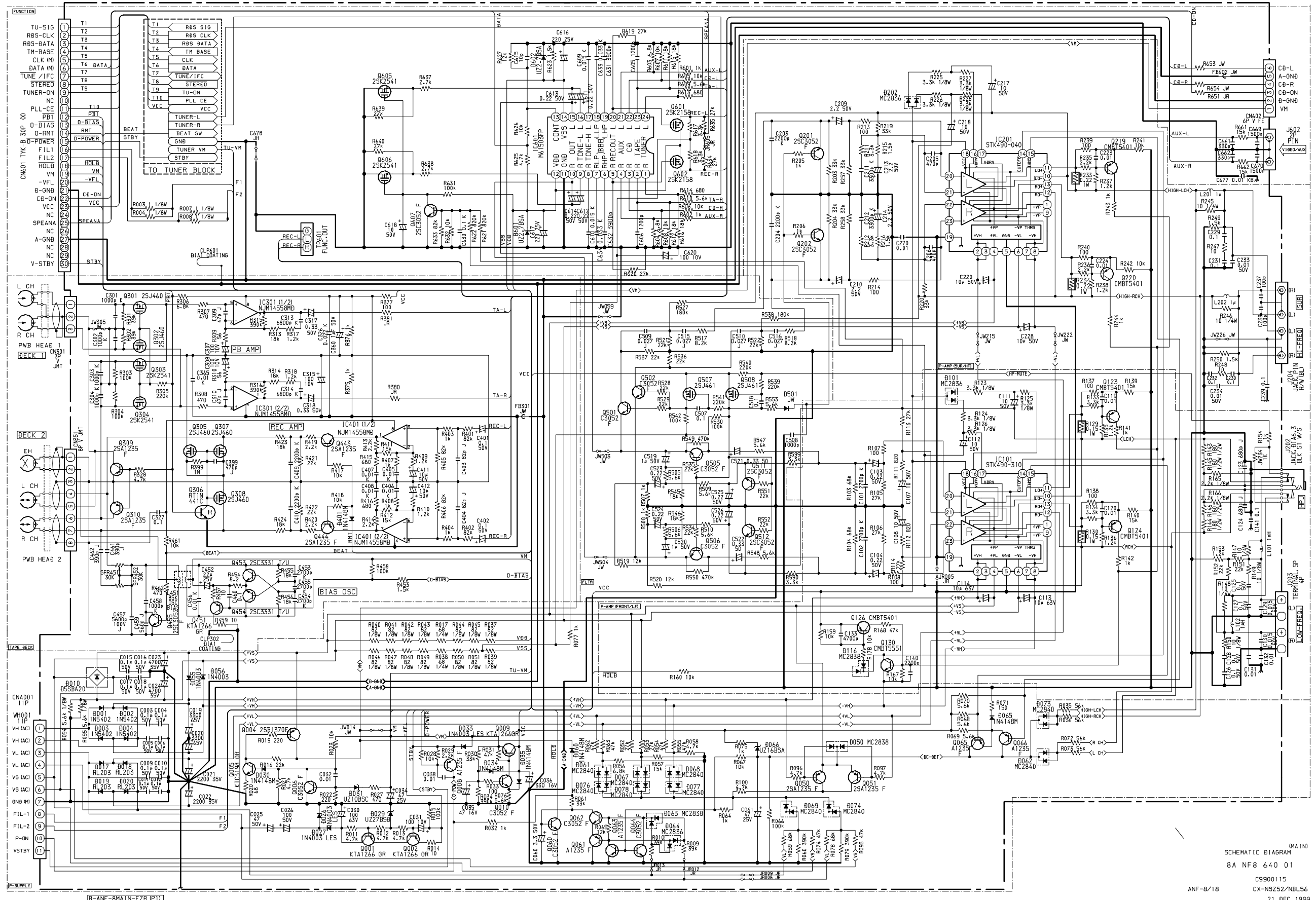
SCHEMATIC DIAGRAM (MAIN)
 ANF-8/18 CX-NAJ50/54
 25 NOV 1999

SCHEMATIC DIAGRAM – 2 (MAIN) <BL54EZ,K>



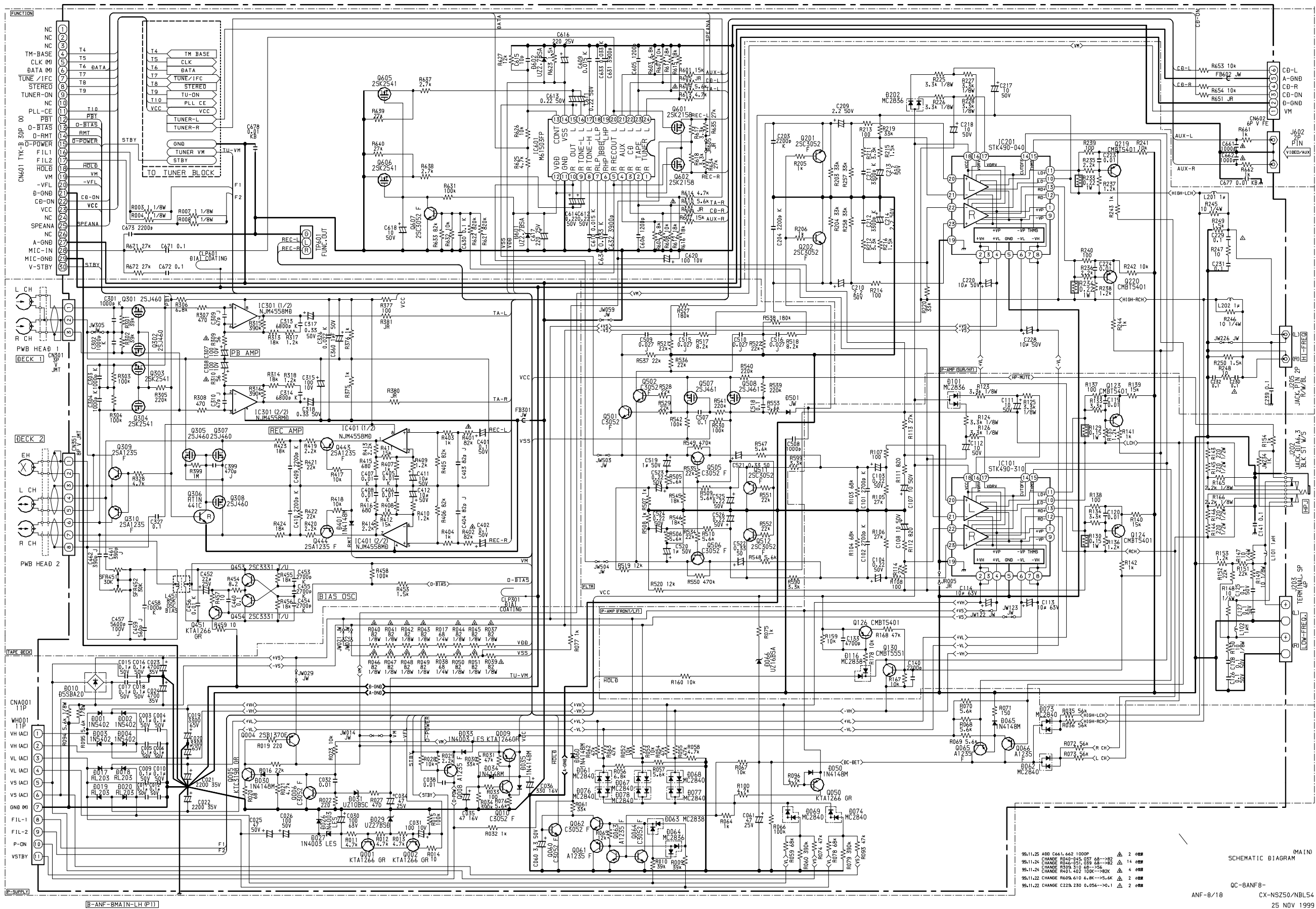
SCHEMATIC DIAGRAM
 8A NF8 640 01
 C9900115
 ANF-8/18 CX-NS250/NBL54
 21 DEC 1999

SCHEMATIC DIAGRAM - 3 (MAIN) <BL56EZ>



(MAIN)
 SCHEMATIC DIAGRAM
 8A NF8 640 01
 C99001 15
 CX-NS252/NBL56
 ANF-8/18
 21 DEC 1999

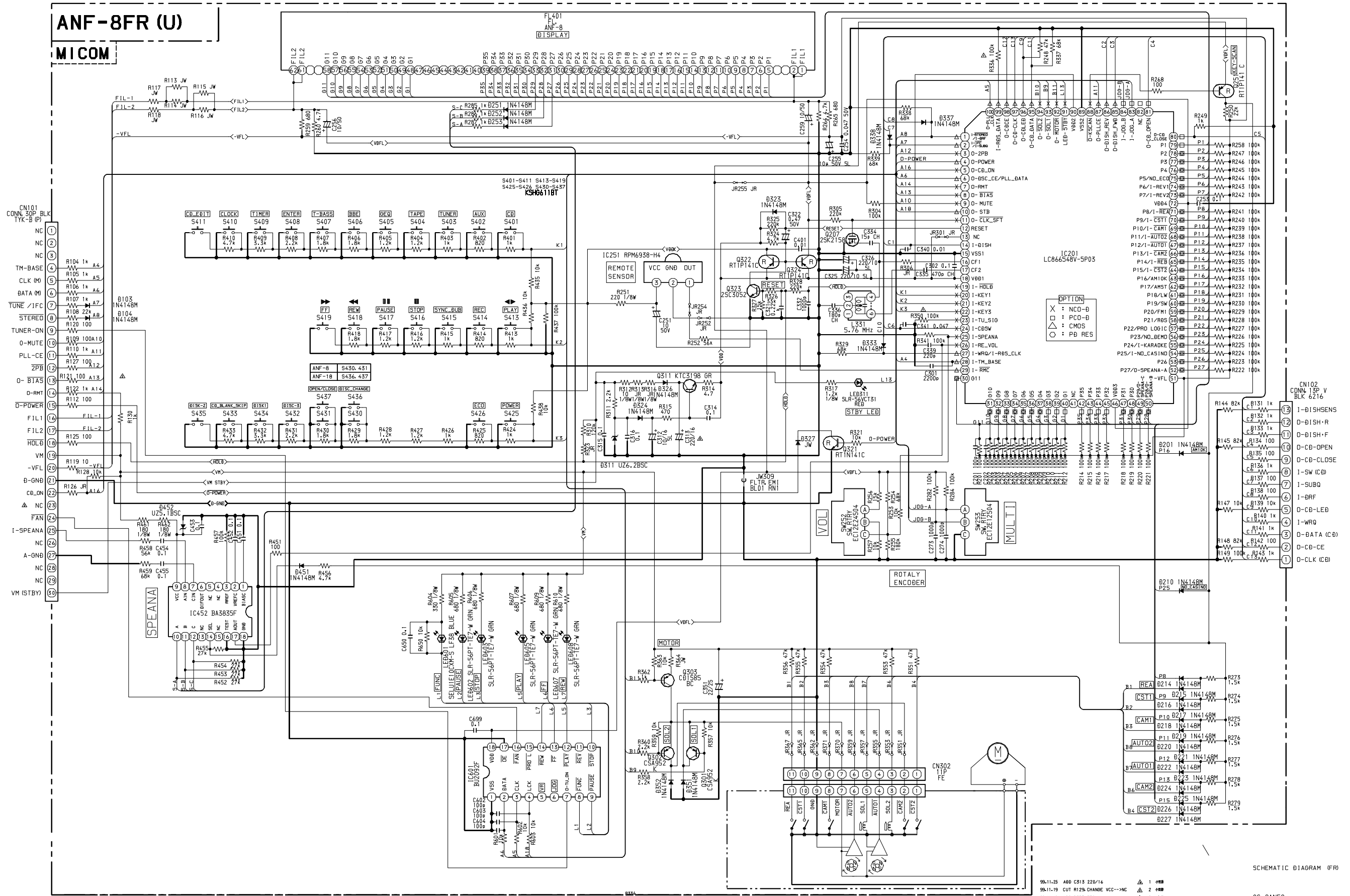
SCHEMATIC DIAGRAM - 4 (MAIN) <LH>



- 99.11.25 ADD C661, 662 1000P
- 99.11.24 CHANGE R040-R45, 037 68K->82K
- 99.11.24 CHANGE R039, 310 68K->56K
- 99.11.24 CHANGE R041, 400 100K->82K
- 99.11.22 CHANGE R069, 610 6.8K->5.6K
- 99.11.22 CHANGE C225, 250 0.056->0.1

SCHEMATIC DIAGRAM
 QC-8ANF8-
 ANF-8/18 CX-NS250/NBL54
 25 NOV 1999

SCHEMATIC DIAGRAM - 5 (FRONT) <AJ54U>



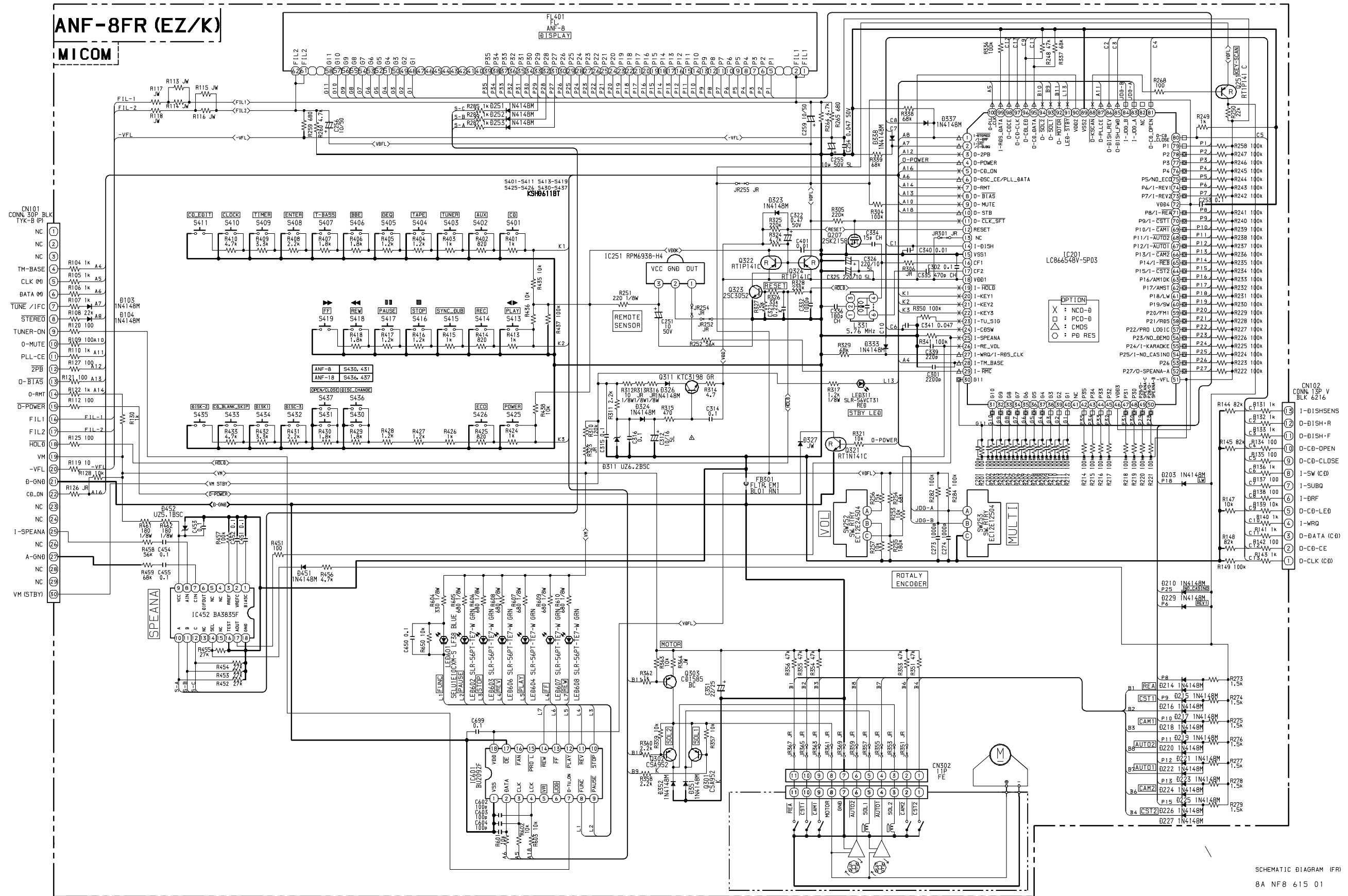
B-ANF-8FR-U

SCHEMATIC DIAGRAM (FR)

99-11-25 ADD C515 220/16
 99-11-19 CUT R125 CHANGE VCC-NC
 99-11-19 ADD R354 500

QC-BANF8-
 ANF-8/18 CX-NAJ50/54U
 25 NOV 1999

SCHEMATIC DIAGRAM - 6 (FRONT) <BL54EZ,K>



SCHEMATIC DIAGRAM (FR)
 8A NF8 615 01
 C9900101
 CX-NS250/NBL54
 21 DEC 1999

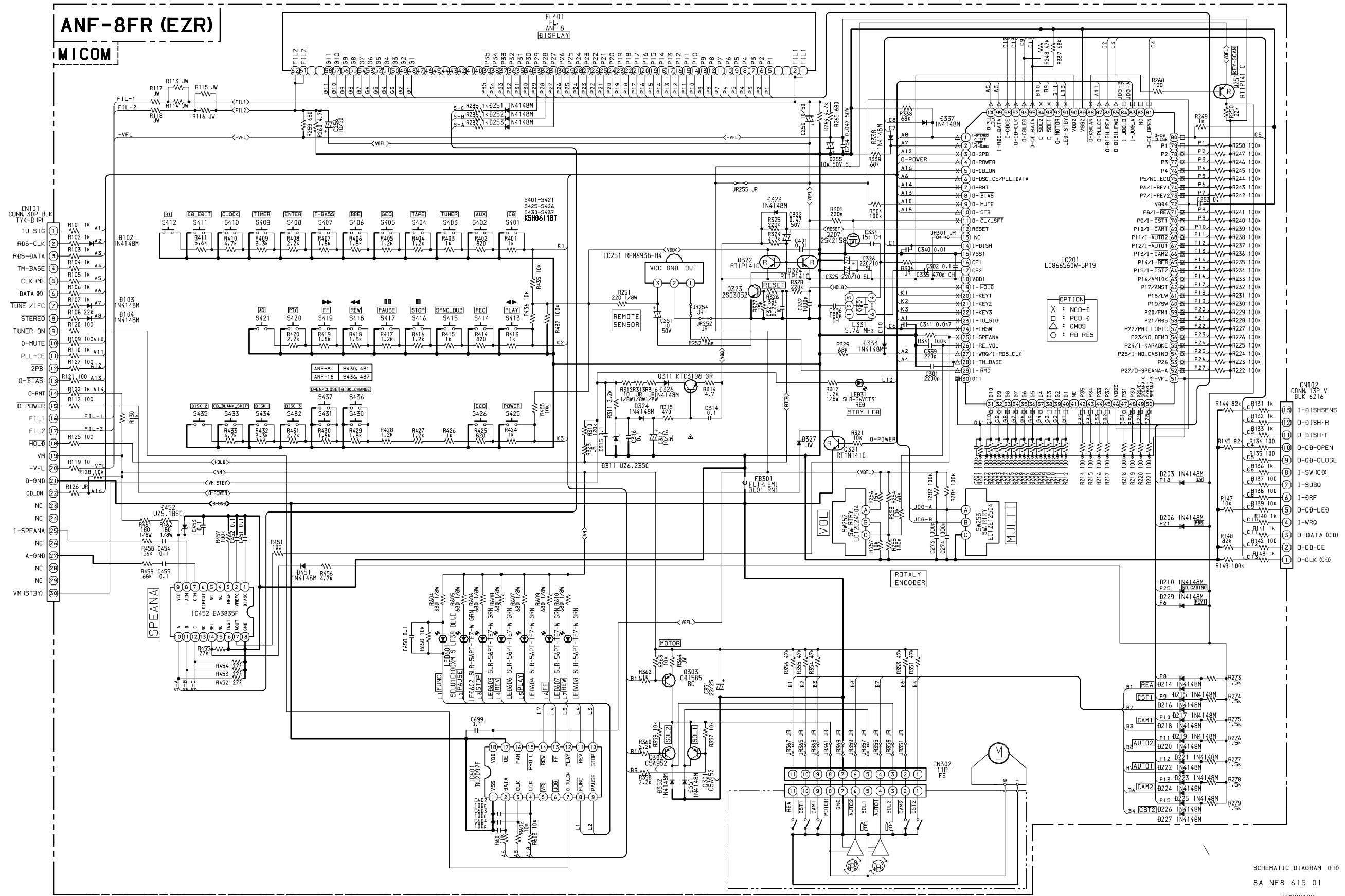
B-ANF-8FR-EZ/K

96.10.21 CUT C818 220/14

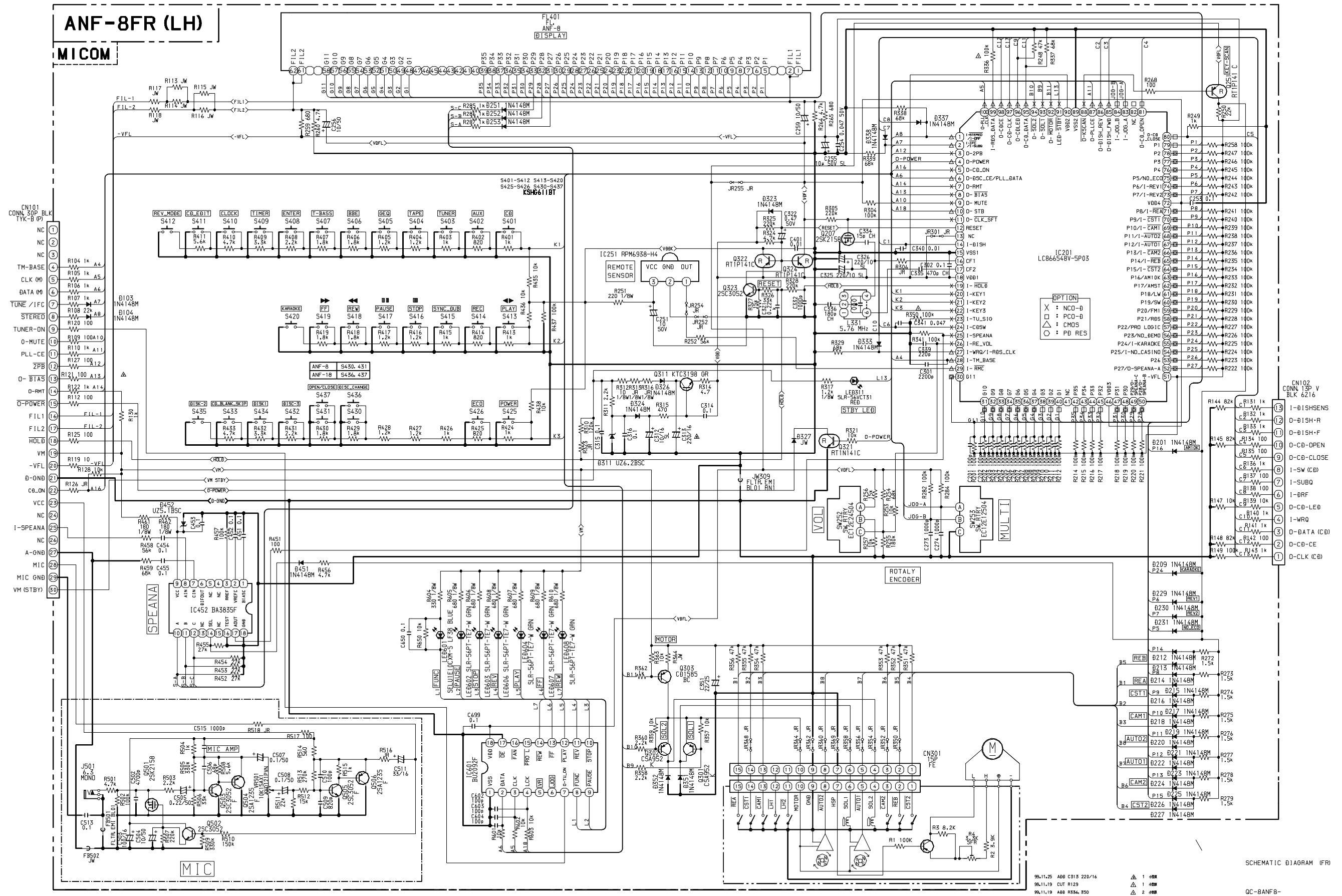
1

ANF-8/18

SCHEMATIC DIAGRAM - 7 (FRONT) <BL56EZ>



SCHEMATIC DIAGRAM (FR)
8A NF8 615 01



SCHEMATIC DIAGRAM (FR)

99.11.25 ADD C315 220/16
 99.11.19 CUT R129
 99.11.19 ADD R354 950

QC-BANFB-
 ANF-B/18 CX-NS250/NBL54LH
 25 NOV 1999

SCHEMATIC DIAGRAM – 9 (TUNER) <BL54EZ,K>

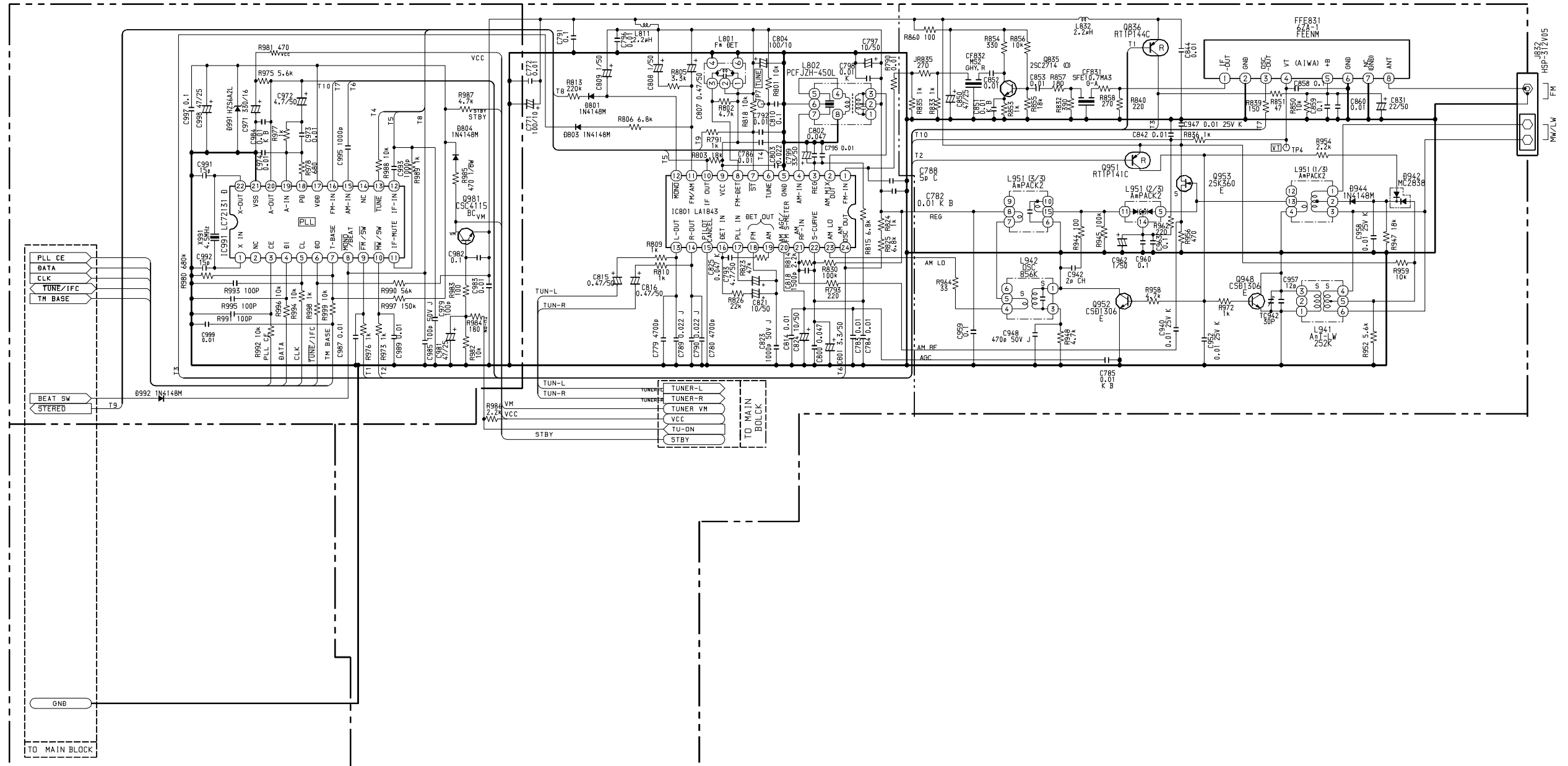
IFT COIL

	PARTS NO./ PARTS CODE		
	U/LH, EZ, K, G, V	HE/HR/HC	D/HD
1ST	87-A91-551-01 FLTR. PCFJZH-450 L (TOK)	87-A91-552-01 FLTR. CFMT-450AL (TOK)	87-A91-553-01 FLTR. PCFMT-060L (TOK)
2ND			
3RD			

AM PACK

	PARTS NO./ PARTS CODE	
	U/LH, D/HB, V	EZ, K, G
1ST	8A-NF8-667-01 COIL, AM PACK4 (TOK)	8A-NF8-668-01 COIL, AM PACK (TOK)
2ND		
3RD		

*EXCEPT SW BAND MODEL (HE/HR/HC)



B-ANF-8MAIN-EZ/K (P2)

(TUNER)
SCHEMATIC DIAGRAM
8A NF8 640 01

C9900116
ANF-8/18 CX-NSZ50/NBL54
21 DEC 1999

SCHEMATIC DIAGRAM – 10 (TUNER) <BL56EZ>

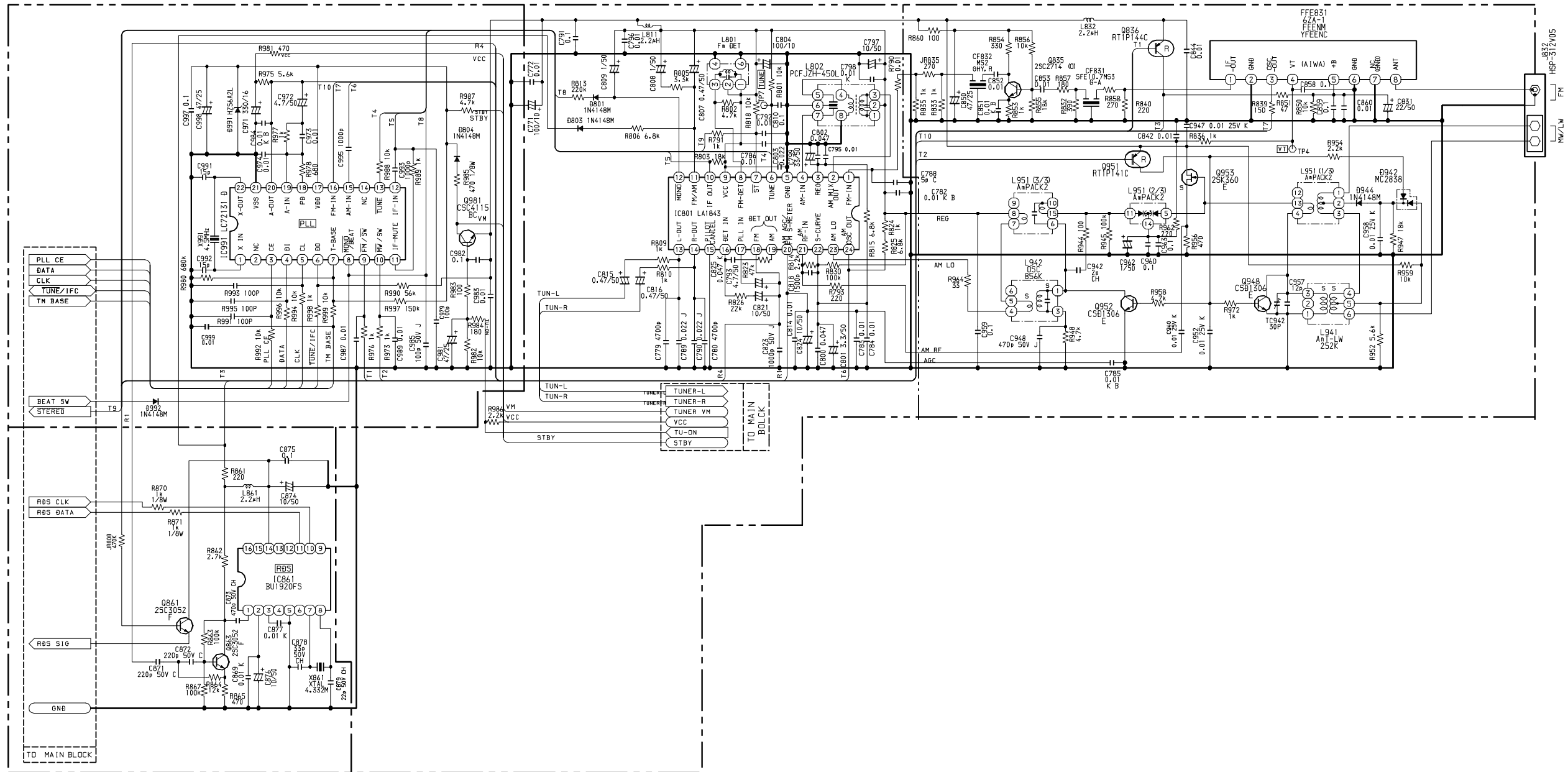
IFT COIL

	PARTS NO./ PARTS CODE		
	U/LH, EZ, K, G, V	HE/HR/HC	D/HD
1ST	87-A91-551-01 FLTR, PCFJZH-450 L (TOK)	87-A91-552-01 FLTR, CFMT-450AL (TOK)	87-A91-553-01 FLTR, PCFMT-060L (TOK)
2ND			
3RD			

AM PACK

	PARTS NO./ PARTS CODE	
	U/LH, D/HD, V	EZ, K, G
1ST	8A-NF8-667-01 COIL, AM PACK4 (TOK)	8A-NF8-668-01 COIL, AM PACK (TOK)
2ND		
3RD		

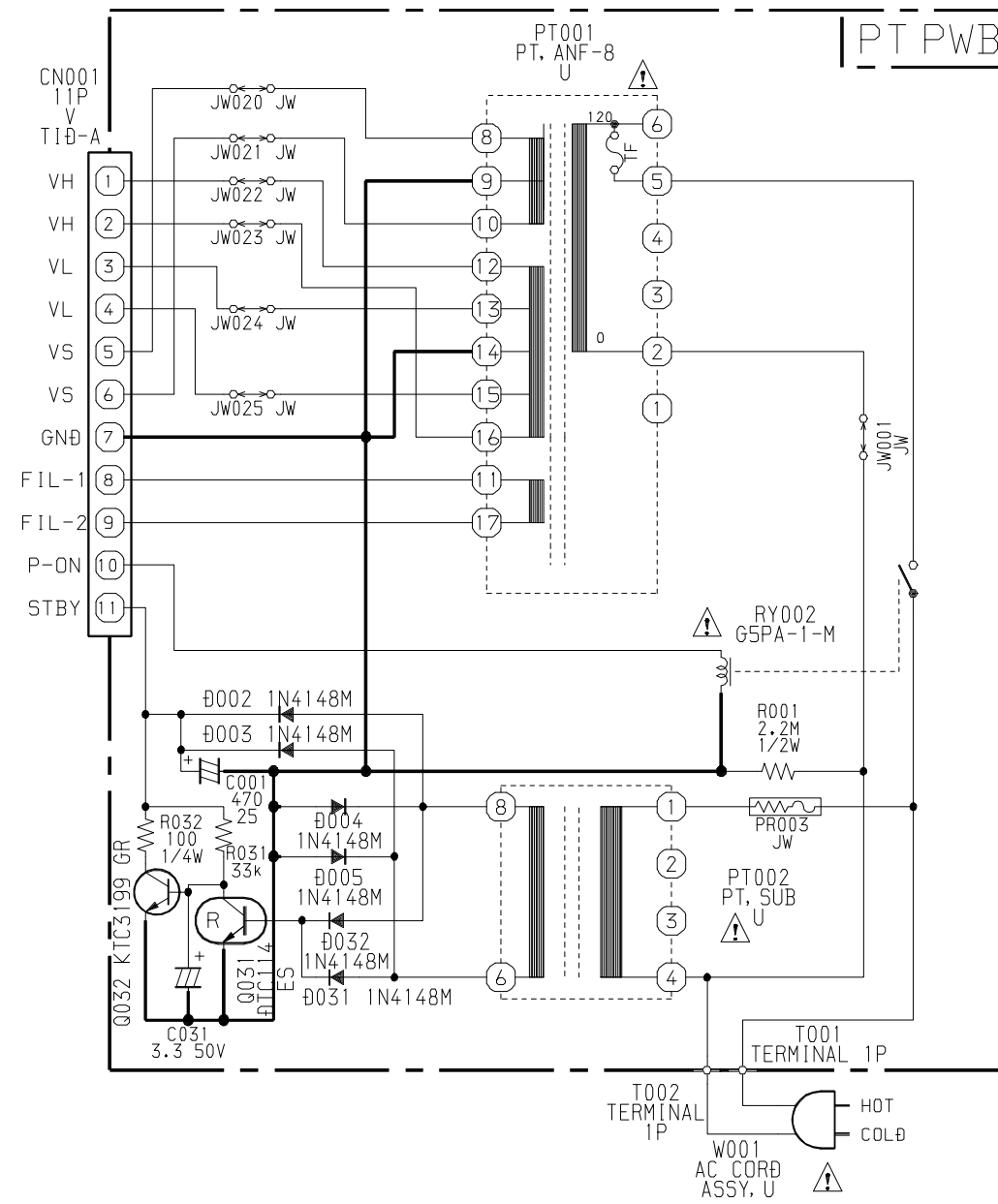
*EXCEPT SW BANB MODEL (HE/HR/HC)



(TUNER)
SCHEMATIC DIAGRAM
8A NF8 640 01
C9900117
ANF-8/18 CX-NS252/NBL56
21 DEC 1999

B-ANF-8MAIN-EZR (P2)

SCHEMATIC DIAGRAM – 12 (PT) <AJ54U>



SCHEMATIC DIAGRAM (PT)

QC-8ANF8-

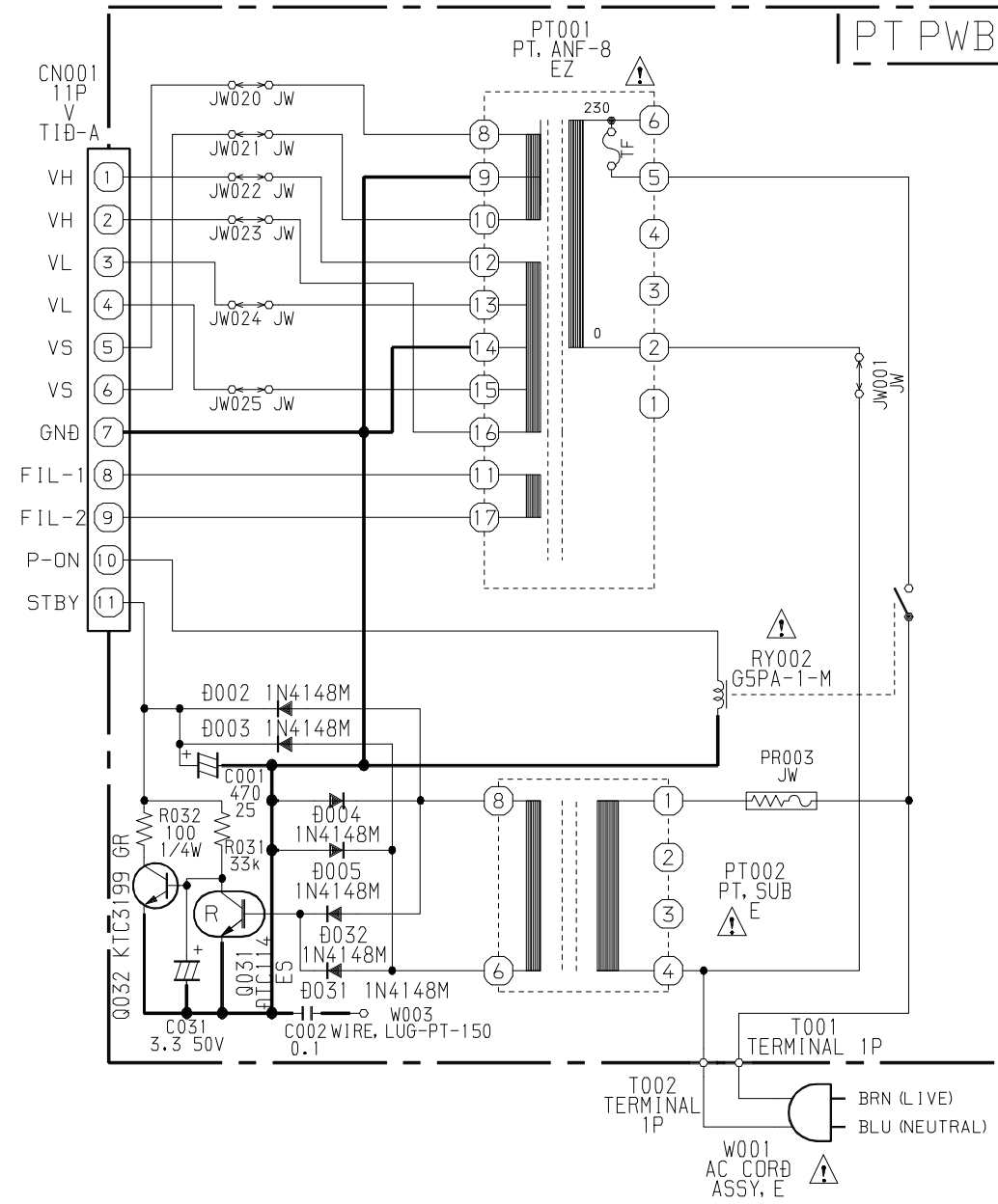
ANF-8/18

CX-NAJ50/54

12 NOV 1999

B-ANF-8PT-U

SCHEMATIC DIAGRAM – 13 (PT) <BL54EZ,K/56EZ>



SCHEMATIC DIAGRAM (PT)

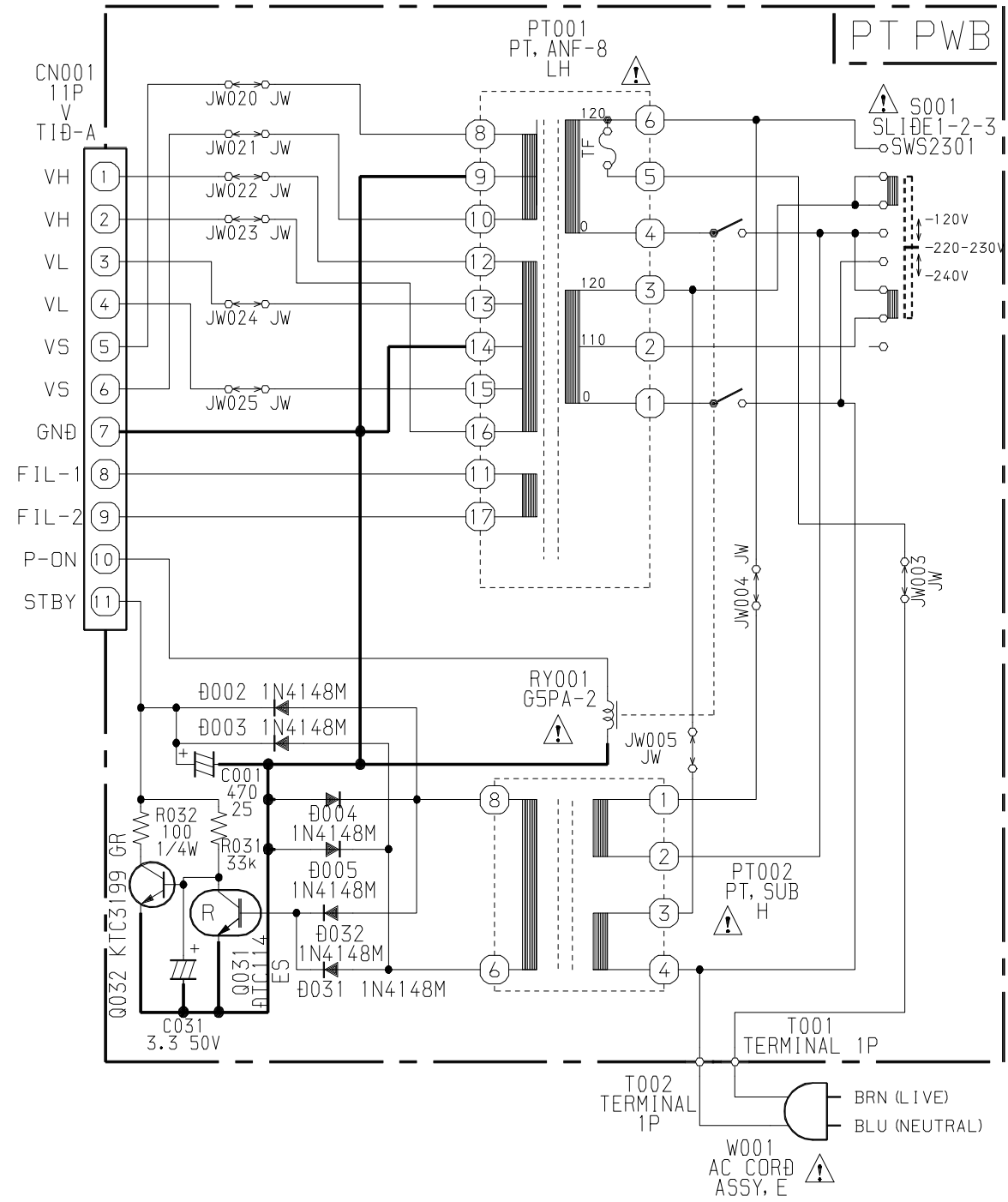
8A NF8 619 01

ANF-8/18

C9900121
CX-NSZ50/NBP54
21 DEC 1999

B-ANF-8PT-EZ/K

SCHEMATIC DIAGRAM – 14 (PT) <LH>



SCHEMATIC DIAGRAM (PT)

QC-8ANF8-
ANF-8/18 CX-NSZ50/NBP54

15 NOV 1999

B-ANF-8PT-LH

アイワ株式会社 〒110-8710 東京都台東区池之端1-2-11 ☎03(3827)3111 (代表)
AIWA CO.,LTD. 2-11, IKENOHATA 1-CHOME, TAITO-KU, TOKYO 110, JAPAN TEL:03 (3827) 3111