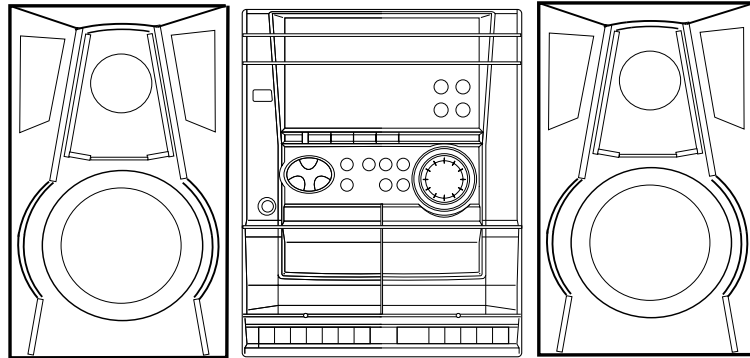




**NSX-AJ14** U  
**NSX-BL14E** HA  
**NSX-BL14** HS, EZ, K  
**NSX-BL16** EZ



# SERVICE MANUAL

COMPACT DISC STEREO  
CASSETTE RECEIVER

BASIC TAPE MECHANISM : ZZM-2 PR1NM  
BASIC CD MECHANISM : AZG-1 ZA3RNDM

SYSTEM	CD CASSEIVER	SPEAKER	REMOTE CONTROLLER
NSX-AJ14<U>	CX-NAJ14	SX-NAJ11	RC-ZAS02
NSX-BL14<HS,EZ,K>	CX-NBL14	SX-NBL11	
NSX-BL16<EZ>		SX-NBL16	
NSX-BL14E<HA>	CX-NBL14E	SX-NBL17	

- This Service Manual is the "Revision Publishing" and replaces "Simple Manual" NSX-AJ14(U)/BL14E(HA)/BL14(HS,EZ,K)/BL16(EZ), (S/M Code No. 09-003-428-8T2).
- If requiring information about the CD mechanism, see Service Manual of AZG-1 (S/M Code No. 09-001-335-3NC).

**aiwa**  
S/M Code No. 09-004-428-8R2

REVISION  
DATA

# SPECIFICATIONS

## <FM tuner section>

<b>Tuning range</b>	87.5 MHz to 108 MHz
<b>Usable sensitivity (IHF)</b>	U,HA,HS: 13.2 dBf EZ,K: 16.8 dBf
<b>Antenna terminals</b>	75 ohms (unbalanced)

## <AM/MW tuner section>

<b>Tuning range</b>	530 kHz to 1710 kHz (10 kHz step) 531 kHz to 1602 kHz (9 kHz step)
<b>Usable sensitivity</b>	350 $\mu$ V/m
<b>Antenna</b>	Loop antenna

## <LW tuner section><EZ,K>

<b>Tuning range</b>	144 kHz to 290 kHz
<b>Usable sensitivity</b>	1400 $\mu$ V/m
<b>Antenna</b>	Loop antenna

## <Amplifier section>

<b>Power output</b>	Rated U: 10 W + 10 W (50 Hz - 20 kHz, T.H.D. less than 1%, 6 ohms) 15 W + 15 W (1 kHz, T.H.D. less than 10%, 6 ohms) HA: 28 W + 28 W (1 kHz, T.H.D. 1%, 6 ohms) Reference: 35 W + 35 W (1 kHz, T.H.D. 10%, 6 ohms) HS: 17 W + 17 W (1 kHz, T.H.D. 1%, 6 ohms) Reference: 20 W + 20 W (1 kHz, T.H.D. 10%, 6 ohms) EZ,K: 12 W + 12 W (1 kHz/DIN 45500, T.H.D. 1%, 6 ohms) Reference: 15 W + 15 W (1 kHz/DIN 45324, T.H.D. 10%, 6 ohms) EZ:DIN MUSIC POWER: 30 W + 30 W
<b>Total harmonic distortion</b>	U,EZ,K: 0.1% (6 W, 1 kHz, 6 ohms, DIN AUDIO) HA: 0.1% (14 W, 1 kHz, 6 ohms, DIN AUDIO) HS: 0.1% (8 W, 1 kHz, 6 ohms, DIN AUDIO)
<b>Inputs</b>	VIDEO/AUX: 500 mV HS: MIC 1.8 mV(10 kohms)
<b>Outputs</b>	SPEAKERS: accept speakers of 6 ohms or more PHONES (stereo jack) : accepts headphones of 32 ohms or more

## <Cassette deck section>

<b>Track format</b>	4 tracks, 2 channels stereo
<b>Frequency response</b>	50 Hz - 8000 Hz
<b>Recording system</b>	AC bias
<b>Heads</b>	Deck 1 : Recording/Playback head x 1, erase head x 1 Deck 2 : Playback head x 1

## <Compact disc player section>

<b>Laser</b>	Semiconductor laser ( $\lambda = 780$ nm)
<b>D-A converter</b>	1 bit dual
<b>Signal-to-noise ratio</b>	85 dB (1 kHz, 0 dB)
<b>Harmonic distortion</b>	0.05 % (1 kHz, 0 dB)

## <Speaker system>SX-NAJ11<U>

<b>Speaker System</b>	2 way, bass reflex (magnetic shielded type)
<b>Speaker units</b>	Woofers: 120 mm (4 <sup>3</sup> / <sub>4</sub> in.) cone type Tweeter: 20 mm (1 <sup>3</sup> / <sub>16</sub> in.) cone type
<b>Impedance</b>	6 ohms
<b>Sensitivity</b>	87 dB/W/m
<b>Dimensions (W x H x D)</b>	220 x 324 x 211 mm (8 <sup>3</sup> / <sub>4</sub> x 12 <sup>7</sup> / <sub>8</sub> x 8 <sup>3</sup> / <sub>8</sub> in.)
<b>Weight</b>	2.0 kg (4 lbs 7 oz.)

## <Speaker system>SX-NBL17<HA>,SX-NBL11<HS,14EZ,K>, SX-NBL16<16EZ>

<b>Speaker System</b>	2 way, bass reflex (magnetic shielded type)
<b>Speaker units</b>	Woofers: 120 mm cone type Tweeter: 20 mm cone type
<b>Impedance</b>	6 ohms
<b>Sensitivity</b>	87 dB/W/m
<b>Dimensions (W x H x D)</b>	220 x 324 x 211 mm
<b>Weight</b>	2.0 kg

## <General>

<b>Power requirements</b>	U: 120 V AC, 60 Hz HA: 120 V/220-230 V/240 V AC (switchable), 50/60 Hz HS: 220 V AC, 60 Hz EZ,K: 230 V AC, 50 Hz
<b>Power consumption</b>	U: 38 W HA: 55 W HS: 60 W EZ,K: 45 W
<b>Power consumption in standby mode</b>	U: With power-economizing mode off : 8 W HA: With power-economizing mode off : 12 W HS,EZ,K: With power-economizing mode off : 14 W With power-economizing mode on : 0.9 W
<b>Dimensions of main unit (W x H x D)</b>	U,EZ,K: 260 x 324 x 348 mm (10 <sup>1</sup> / <sub>4</sub> x 12 <sup>7</sup> / <sub>8</sub> x 13 <sup>3</sup> / <sub>4</sub> in.) HA,HS: 260 x 324 x 348 mm U: 4.8 kg (10 lbs 9 oz.) HA: 5.7 kg HS: 5.0 kg EZ,K: 4.9 kg
<b>Weight of main unit</b>	

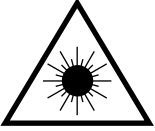
• Design and specifications are subject to change without notice.

## PROTECTION OF EYES FROM LASER BEAM DURING SERVICING

This set employs laser. Therefore, be sure to follow carefully the instructions below when servicing.

### WARNING!!

WHEN SERVICING, DO NOT APPROACH THE LASER EXIT WITH THE EYE TOO CLOSELY. IN CASE IT IS NECESSARY TO CONFIRM LASER BEAM EMISSION. BE SURE TO OBSERVE FROM A DISTANCE OF MORE THAN 30cm FROM THE SURFACE OF THE OBJECTIVE LENS ON THE OPTICAL PICK-UP BLOCK.



- Caution: Invisible laser radiation when open and interlocks defeated avoid exposure to beam.
- Advarsel: Usynlig laserstråling ved åbning, når sikkerhedsafbrydere er ude af funktion. Undgå udsættelse for stråling.

### VAROITUS!

Laiteen Käyttäminen muulla kuin tässä käyttöohjeessa mainitulla tavalla saattaa altistaa käyt-täjän turvallisuusluokan 1 ylittävälle näkymättömälle lasersäteilylle.

### WARNING!

Om apparaten används på annat sätt än vad som specificeras i denna bruksanvisning, kan användaren utsättas för osynlig laserstrålning, som överskrider gränsen för laserklass 1.

### CAUTION

Use of controls or adjustments or performance of procedures other than those specified herein may result in hazardous radiation exposure.

### ATTENTION

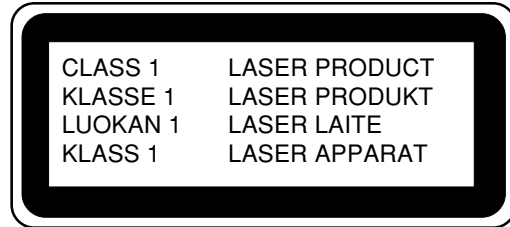
L'utilisation de commandes, réglages ou procédures autres que ceux spécifiés peut entraîner une dangereuse exposition aux radiations.

### ADVARSEL

Usynlig laserstråling ved åbning, når sikkerhedsafbrydere er ude af funktion. Undgå udsættelse for stråling.

This Compact Disc player is classified as a CLASS 1 LASER product.

The CLASS 1 LASER PRODUCT label is located on the rear exterior.



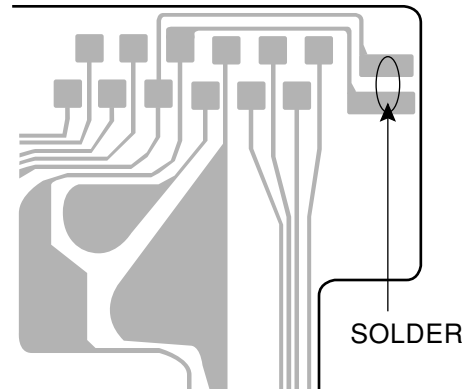
## Precaution to replace Optical block

### (KSS-213F)

Body or clothes electrostatic potential could ruin laser diode in the optical block. Be sure ground body and workbench, and use care the clothes do not touch the diode.

- 1) After the connection, remove solder shown in right figure.

PICK-UP ASSY  
P.C.B



# NOTE ON BEFORE STARTING REPAIR

## 1. Forced discharge of electrolytic capacitor of power supply block

When repair is going to be attempted in the set that uses relay circuit in the power supply block, electric potential is kept charged across the electrolytic capacitors (C101, 102) even though AC power cord is removed. If repair is attempted in this condition, secondary defect can occur.

In order to prevent the secondary trouble, perform the following measures before starting repair work.

### Discharge procedure

- ① Remove the AC power cord.
- ② Connect a discharging resistor at an end of lead wire that has clips at both ends. Connect the other end of the lead wire to metal chassis.
- ③ Contact the other end of the discharging resistor to the positive (+) side (+VH) of C101. (For two seconds)
- ④ Contact the same end of the discharging resistor as step ③ to the negative (-) side (-VH) of C102 in the same way. (For two seconds)
- ⑤ Check that voltage across C101 and C102 has decreased to 1 V or less using a multimeter or an oscilloscope.

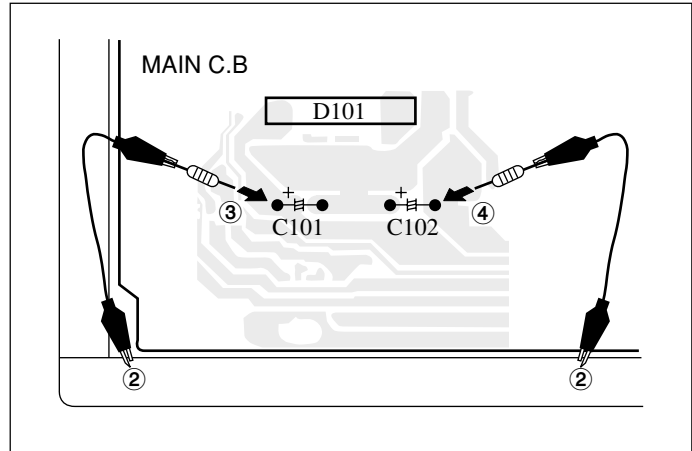


Fig-1

Select a discharging resistor referring to the following table.

Charging voltage (V) (C101, 102)	Discharging resistor ( $\Omega$ )	Rated power (W)	Parts number
25-48	100	3	87-A00-247-090
49-140	220	5	87-A00-232-090

**Note:** The reference numbers (C101, C102) of the electrolytic capacitors can change depending on the models. Be sure to check the reference numbers of the charging capacitors on schematic diagram before starting the discharging work.

## 2. Check items before exchanging the MICROCOMPUTER

Be sure to check the following items before exchanging the MICROCOMPUTER. Exchange the MICROCOMPUTER after confirming that the MICROCOMPUTER is surely defective.

### 2-1. Regarding the HOLD terminal of the MICROCOMPUTER

When the HOLD terminal (INPUT) of the MICROCOMPUTER is “H”, the MICROCOMPUTER is judged to be operating correctly. When this terminal is “L”, the main power cannot be turned on. Therefore, be sure to check the terminal voltage of the HOLD terminal before exchange.

When the MICROCOMPUTER is not defective, the HOLD terminal can also go “L” when the POWER AMPLIFIER has any abnormalities that triggers the abnormality detection circuit on the MAIN C. B. that sets the HOLD terminal to “L”.

- Good or no good judgement of the MICROCOMPUTER

- ① Turn on the AC main power.
- ② Confirm that the main power is turned on and the HOLD terminal of the MICROCOMPUTER keeps the “H” level or not.
- ③ When the HOLD terminal is “L” level, the abnormality detection circuit is judged to be working correctly and the MICROCOMPUTER is judged to be good.

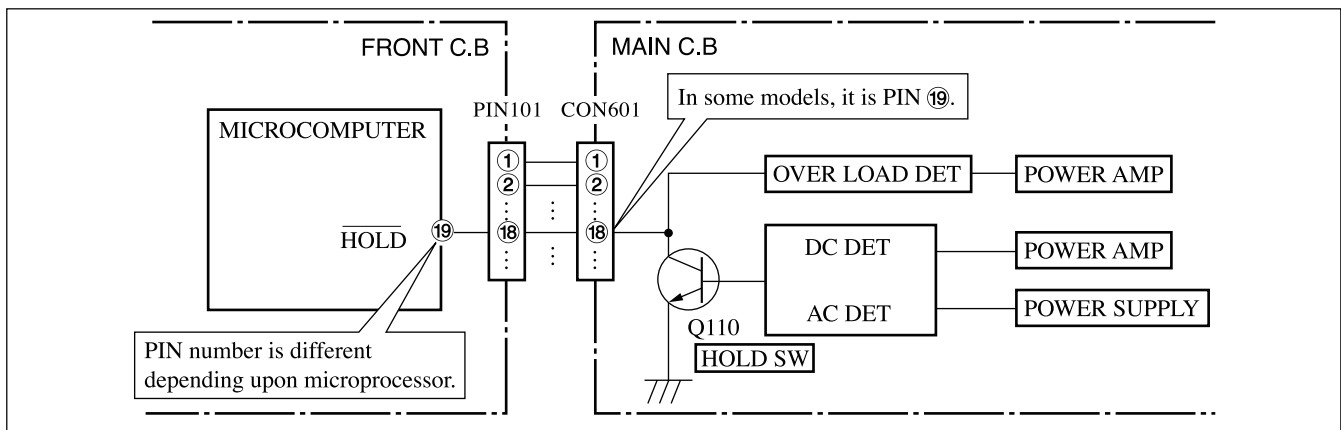


Fig-2-1



In such a case, check also if the POWER AMPLIFIER circuit or power supply circuit has any abnormalities or not.

## 2-2. Regarding reset

There are cases that the machine does not work correctly because the MICROCOMPUTER is not reset even though the AC power cord is re-inserted, or the software reset (pressing the STOP key + POWER key) is performed.

When the above described phenomenon occurs, it can lead to wrong judgement as if the MICROCOMPUTER is defective and to exchange the MICROCOMPUTER. In such a case, perform the forced-reset by the following procedure and check good or no good of the MICROCOMPUTER.

- ① Remove the AC power cord.

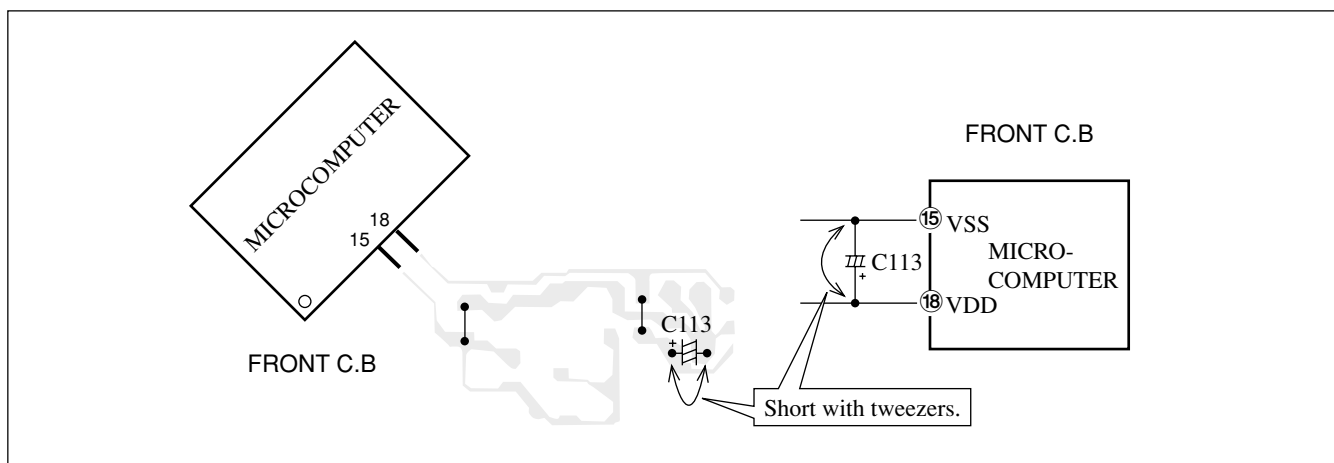


Fig-2-2

- ② Short both ends of the electrolytic capacitor C113 that is connected to VDD of the MICROCOMPUTER with tweezers.
- ③ Connect the AC power cord again. If the MICROCOMPUTER returns to the normal operation, the MICROCOMPUTER is good.

**Note:** The reference number or MICROCOMPUTER pin number of transistor (Q110) and electrolytic capacitor (C113) can change depending on the models. Be sure to check the reference numbers on schematic diagram before starting the discharging work.

## 2-3. Confirmation of soldering state of MICROCOMPUTER

Check the soldering state of the MICROCOMPUTER in addition to the above described procedures. Be sure to exchange the MICROCOMPUTER after surely confirming that the trouble is not caused by poor soldering but the MICROCOMPUTER itself.

# ELECTRICAL MAIN PARTS LIST

REF. NO.	PART NO.	KANRI NO.	DESCRIPTION	REF. NO.	PART NO.	KANRI NO.	DESCRIPTION
IC				C21	87-016-495-000		CAP,E 3300-25 M SMG<HA,U>
	8A-NFA-616-010		C-IC,M38B59MFH-E251FP<16EZ>	C21	87-A10-520-000		CAP,E 3300-35 M SMG<EZ,K,HS>
	8A-NFA-615-010		C-IC,M38B57MCH-E236FP<EXCEPT 16EZ>	C22	87-016-495-000		CAP,E 3300-25 M SMG<HA>
	87-A21-397-010		IC,STK490-070<HA>	C22	87-016-051-000		CAP,E 2200-35 SMG<EZ,K,HS>
	87-A21-419-040		C-IC,NJM14558MD-TE2	C22	87-A10-011-090		CAP,E 2200-25 SMG<U>
	87-A21-443-040		C-IC,M62495AFP	C25	87-010-385-080		CAP, ELECT 220-25V<HA>
	87-A21-415-010		IC,LA1843<EZ,K>	C25	87-010-406-080		CAP, ELECT 22-50 M 11L SME<HS>
	87-A21-560-010		IC,LA1844L-A<EXCEPT EZ,K>	C25	87-010-407-080		CAP, ELECT 33-50 M 11L SME<EZ,K,U>
	87-070-127-110		IC,LC72131 D	C26	87-010-247-080		CAP, ELECT 100-50V<HA>
	87-A21-629-010		IC,SPS-442-10N	C26	87-010-406-080		CAP, ELECT 22-50<EZ,K,HS,U>
	87-A21-482-010		IC,RPM6938-H4	C30	87-010-247-080		CAP, ELECT 100-50V<HA>
	87-A20-440-010		C-IC,BU1920FS<16EZ>	C30	87-010-384-080		CAP, ELECT 100-25M11LSME<EZ,K,HS,U>
				C31	87-010-263-080		CAP, ELECT 100-10V
				C32	87-010-197-080		CAP, CHIP 0.01 DM
				C33	87-010-263-080		CAP, ELECT 100-10V<U,HA>
TRANSISTOR				C34	87-010-247-080		CAP, ELECT 100-50V
	87-026-609-080		TR,KTA1266GR	C35	87-010-406-080		CAP, ELECT 22-50
	89-213-702-010		TR,2SB1370 (1.8W)	C36	87-010-381-080		CAP, ELECT 330-16V
	87-026-610-080		TR,KTC3198GR	C38	87-A11-567-080		C-CAP,S 0.01-50 K B<EXCEPT HS>
	87-A30-076-080		C-TR,2SC3052F	C38	87-010-190-080		C-CAP,S 0.01-50 ZF<HS>
	87-A30-075-080		C-TR,2SA1235F	C50	87-010-384-080		CAP, ELECT 100-25 M 11L SME<U>
	87-A30-255-010		C-TR,2SB1342<U>	C60	87-010-403-080		CAP, ELECT 3.3-50V
	87-A30-256-010		TR,2SD1933<U>	C97	87-010-196-080		CHIP CAPACITOR,0.1-25<HA>
	87-A30-190-080		TR,CC5551<U>	C100	87-018-127-080		CAP TC-U 470P
	87-026-245-080		TR,DTC114ES<HS,HA>	C101	87-010-183-080		C-CAP,S 2700P-50 B<HA>
	87-A30-198-080		TR,KTC3199GR<HS,HA>	C101	87-010-185-080		C-CAP,S 3900P-50 KB<EZ,K,HS,U>
	87-A30-090-080		FET,2SK2541	C102	87-010-183-080		C-CAP,S 2700P-50 B<HA>
	87-A30-484-080		C-TR,KRA102S	C102	87-010-185-080		C-CAP,S 3900P-50 KB<EZ,K,HS,U>
	87-A30-468-080		C-TR,KRC102S-RTK	C103	87-010-545-080		CAP, ELECT 0.22-50V
	87-A30-107-070		C-TR,CMBT5401	C104	87-010-545-080		CAP, ELECT 0.22-50V
	87-A30-106-040		C-TR,CMBT5551	C105	87-010-178-080		CHIP CAP 1000P<HA>
	87-A30-091-080		FET,2SJ460	C105	87-010-186-080		CAP,CHIP 4700P<EZ,K,HS,U>
	87-A30-062-080		C-TR,KRC104S	C106	87-010-178-080		CHIP CAP 1000P<HA>
	87-A30-318-080		TR,CSA952K	C106	87-010-186-080		CAP,CHIP 4700P<EZ,K,HS,U>
	89-333-317-880		TR,2SC3331 (0.5W)	C107	87-010-404-080		CAP, ELECT 4.7-50V<HA>
	87-A30-234-080		TR,CSC4115BC	C107	87-010-403-080		CAP, ELECT 3.3-50V<EZ,K,HS,U>
	89-327-143-080		TR,2SC2714 (0.1W)	C108	87-010-404-080		CAP, ELECT 4.7-50V<HA>
	87-A30-489-080		C-TR,KRA107S	C108	87-010-403-080		CAP, ELECT 3.3-50V<EZ,K,HS,U>
	89-503-602-080		C-FET,2SK360E<EZ,K>	C109	87-010-322-080		C-CAP, S 100P-50JCH<EZ,K>
	87-A30-086-070		C-TR,CSD1306E<EZ,K>	C109	87-010-179-080		C-CAP, S 1200P-50KB<HA>
	87-A30-495-080		TR,2SA1981Y	C110	87-010-322-080		C-CAP, S 100P-50JCH<EZ,K>
DIODE				C110	87-010-179-080		C-CAP, S 1200P-50KB<HA>
	87-A40-736-080		DIODE,1N4148M (SEM)	C111	87-010-391-080		CAP,E 10-35 SME<HA>
	87-020-465-080		DIODE,1SS133 (110MA)	C111	87-010-406-080		CAP, ELECT 22-50<EZ,K,HS,U>
	87-A40-455-080		DIODE,RL203 GW	C112	87-010-405-080		CAP, ELECT 10-50V<HA>
	87-A40-553-080		DIODE,1N4003 LES	C113	87-012-156-080		C-CAP, S 220P-50 J CH<EZ,K,U>
	87-A40-774-080		ZENER,UZ24B5D	C113	87-A10-946-080		C-CAP, S 220P-100 J CH<HS>
	87-A40-764-080		ZENER,UZ10B5C	C114	87-010-405-080		CAP, ELECT 10-50V<HA>
	87-A40-313-080		C-DIODE,MC 2840<HA>	C114	87-012-156-080		C-CAP, S 220P-50 J CH<EZ,K,U>
	87-A40-270-080		C-DIODE,MC2838	C114	87-A10-946-080		C-CAP, S 220P-100 J CH<HS>
	87-A40-269-080		C-DIODE,MC2836	C119	87-010-197-080		CAP, CHIP 0.01 DM
	87-A40-768-080		ZENER,UZ16BSA<HA>	C120	87-010-197-080		CAP, CHIP 0.01 DM
	87-A40-752-080		ZENER,UZ6.2B5C	C123	87-010-197-080		CAP, CHIP 0.01 DM<EZ,K>
	87-A40-739-080		ZENER,UZ2.7B5A	C124	87-010-197-080		CAP, CHIP 0.01 DM<EZ,K>
	87-017-149-080		ZENER,HZS6A2L	C125	87-012-368-080		C-CAP,S 0.1-50 F<HA>
	87-A40-535-080		DIODE,1N5393-GOODARK<U>	C125	87-010-196-080		CHIP CAPACITOR,0.1-25<EZ,K,HS,U>
MAIN C.B				C126	87-012-368-080		C-CAP,S 0.1-50 F<HA>
	C3	87-010-196-080	CHIP CAPACITOR,0.1-25<HA>	C126	87-010-196-080		CHIP CAPACITOR,0.1-25<EZ,K,HS,U>
	C4	87-010-196-080	CHIP CAPACITOR,0.1-25<HA>	C127	87-012-368-080		C-CAP,S 0.1-50 F<HA>
	C5	87-010-196-080	CHIP CAPACITOR,0.1-25<HA>	C127	87-010-196-080		CHIP CAPACITOR,0.1-25<EZ,K,HS,U>
	C6	87-010-196-080	CHIP CAPACITOR,0.1-25<HA>	C128	87-012-368-080		C-CAP,S 0.1-50 F<HA>
	C9	87-010-196-080	CHIP CAPACITOR,0.1-25	C128	87-010-196-080		CHIP CAPACITOR,0.1-25<EZ,K,HS,U>
	C10	87-010-196-080	CHIP CAPACITOR,0.1-25	C129	87-A11-572-080		C-CAP,S 0.015-50 K B<HA>
	C11	87-010-196-080	CHIP CAPACITOR,0.1-25	C130	87-A11-572-080		C-CAP,S 0.015-50 K B<HA>
	C12	87-010-196-080	CHIP CAPACITOR,0.1-25	C131	87-010-197-080		CAP, CHIP 0.01 DM<HA>
	C19	87-A10-627-000	CAP,E 2200-50 M SMG<HA>	C132	87-010-197-080		CAP, CHIP 0.01 DM<HA>
	C20	87-A10-627-000	CAP,E 2200-50 M SMG<HA>	C133	87-010-186-080		CAP,CHIP 4700P
				C140	87-010-182-080		C-CAP,S 2200P-50 B

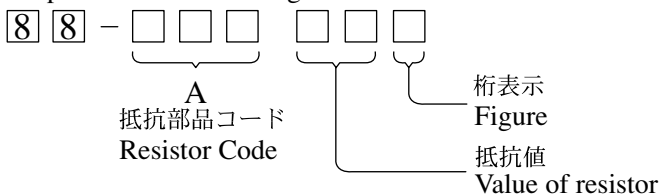
REF. NO.	PART NO.	KANRI NO.	DESCRIPTION	REF. NO.	PART NO.	KANRI NO.	DESCRIPTION
C183	87-010-387-080		CAP,E 470-25 SME<U,EZ,K>	C670	87-010-322-080		C-CAP,S 100P-50 CH<EZ,K,HA>
C184	87-010-403-080		CAP, ELECT 3.3-50V<U,EZ,K>	C677	87-010-197-080		CAP, CHIP 0.01 DM
C185	87-018-209-080		CAP, TC U 0.1-50ZF<EZ,K>	C771	87-010-263-080		CAP, ELECT 100-10V
C200	87-018-195-080		CAP TC-U 1200P	C772	87-010-197-080		CAP, CHIP 0.01 DM
C300	87-018-195-080		CAP TC-U 1200P	C779	87-010-971-080		CAP, CHIP 4700P-50JB<EZ,K>
C301	87-010-179-080		CAP,CHIP S B1200P	C780	87-010-971-080		CAP, CHIP 4700P-50JB<EZ,K>
C302	87-010-179-080		CAP,CHIP S B1200P	C782	87-010-197-080		CAP, CHIP 0.01 DM
C303	87-010-178-080		CHIP CAP 1000P	C783	87-010-197-080		CAP, CHIP 0.01 DM
C304	87-010-178-080		CHIP CAP 1000P	C784	87-010-197-080		CAP, CHIP 0.01 DM
C305	87-010-198-080		CAP, CHIP 0.022	C785	87-010-197-080		CAP, CHIP 0.01 DM
C307	87-010-263-080		CAP, ELECT 100-10V	C786	87-010-197-080		CAP, CHIP 0.01 DM
C308	87-010-263-080		CAP, ELECT 100-10V	C788	87-010-149-080		C-CAP,S 5P-50 CH
C309	87-010-311-080		C-CAP, S 12P-50J CH<EZ,K>	C789	87-A12-052-080		C-CAP,S 0.033-25 J B<U,HA>
C309	87-010-318-080		C-CAP, S 47P-50J CH<HS,U>	C789	87-A11-532-080		C-CAP,S 0.022-50 J B<EZ,K>
C310	87-010-314-080		C-CAP, S 22P-50J CH<EZ,K>	C789	87-A10-801-080		C-CAP,S 0.022-16 J B<HS>
C310	87-010-318-080		C-CAP, S 47P-50J CH<HS,U>	C790	87-A12-052-080		C-CAP,S 0.033-25 J B<U,HA>
C311	87-010-598-080		C-CAP,S 0.068-16VRK	C790	87-A11-532-080		C-CAP,S 0.022-50 J B<EZ,K>
C312	87-010-598-080		C-CAP,S 0.068-16VRK	C790	87-A10-801-080		C-CAP,S 0.022-16 J B<HS>
C313	87-010-188-080		CAP,CHIP 6800P	C791	87-010-196-080		CHIP CAPACITOR,0.1-25
C314	87-010-188-080		CAP,CHIP 6800P	C792	87-010-197-080		CAP, CHIP 0.01 DM
C315	87-010-263-080		CAP, ELECT 100-10V	C793	87-010-404-080		CAP, ELECT 4.7-50V
C317	87-010-546-080		CAP, ELECT 0.33-50V	C794	87-010-322-080		CAP, CHIP 100P-50J CH<EZ,K>
C318	87-010-546-080		CAP, ELECT 0.33-50V	C795	87-010-197-080		CAP, CHIP 0.01 DM
C320	87-010-196-080		CHIP CAPACITOR,0.1-25<EZ,K>	C796	87-010-197-080		CAP, CHIP 0.01 DM
C321	87-010-196-080		CHIP CAPACITOR,0.1-25<EZ,K>	C797	87-010-405-080		CAP, ELECT 10-50V
C324	87-010-196-080		CHIP CAPACITOR,0.1-25<EZ,K>	C798	87-010-197-080		CAP, CHIP 0.01 DM
C325	87-010-196-080		CHIP CAPACITOR,0.1-25<EZ,K>	C799	87-010-407-080		CAP, ELECT 33-50V
C326	87-010-198-080		CAP, CHIP 0.022	C800	87-012-369-080		C-CAP,S 0.047-50F
C327	87-010-196-080		CHIP CAPACITOR,0.1-25	C801	87-010-403-080		CAP, ELECT 3.3-50V
C350	87-010-196-080		CHIP CAPACITOR,0.1-25<EZ,K>	C802	87-012-369-080		C-CAP,S 0.047-50F
C360	87-010-401-080		CAP, ELECT 1-50V	C803	87-010-198-080		CAP, CHIP 0.022
C363	87-010-197-080		CAP, CHIP 0.01 DM<EZ,K>	C804	87-010-263-080		CAP, ELECT 100-10V
C399	87-012-140-080		CAP 470P	C807	87-010-400-080		CAP, ELECT 0.47-50V
C401	87-010-544-080		CAP, ELECT 0.1-50V	C808	87-010-401-080		CAP, ELECT 1-50V
C402	87-010-544-080		CAP, ELECT 0.1-50V	C809	87-010-401-080		CAP, ELECT 1-50V
C405	87-010-197-080		CAP, CHIP 0.01 DM	C810	87-010-196-080		CHIP CAPACITOR,0.1-25
C406	87-010-197-080		CAP, CHIP 0.01 DM	C814	87-010-197-080		CAP, CHIP 0.01 DM
C407	87-010-197-080		CAP, CHIP 0.01 DM	C815	87-010-400-080		CAP, ELECT 0.47-50V<HS>
C408	87-010-197-080		CAP, CHIP 0.01 DM	C815	87-010-403-080		CAP, ELECT 3.3-50V<EXCEPT HS>
C409	87-010-182-080		C-CAP,S 2200P-50 B	C816	87-010-400-080		CAP, ELECT 0.47-50V<HS>
C410	87-010-182-080		C-CAP,S 2200P-50 B	C816	87-010-403-080		CAP, ELECT 3.3-50V<EXCEPT HS>
C411	87-010-405-080		CAP, ELECT 10-50V	C818	87-010-180-080		CAP, CHIP 1500P-50 KB<EZ,K>
C412	87-010-405-080		CAP, ELECT 10-50V	C821	87-010-405-080		CAP, ELECT 10-50V
C452	87-010-382-080		CAP, ELECT 22-25V	C823	87-010-177-080		C-CAP,S 820P-50 SL<HA,HS,U>
C453	87-010-183-080		C-CAP,S 2700P-50 B	C823	87-012-349-080		C-CAP,S 1000P-50 J CH<EZ,K>
C454	87-010-183-080		C-CAP,S 2700P-50 B	C824	87-010-405-080		CAP, ELECT 10-50V
C455	87-010-183-080		C-CAP,S 2700P-50 B	C825	87-010-596-080		CAP, S 0.047-16
C456	87-010-197-080		CAP, CHIP 0.01 DM	C831	87-010-406-080		CAP, E 22-50 M 11L<EZ,K>
C458	87-010-178-080		CAP, CHIP 1000P-50KB<EZ,K>	C842	87-010-197-080		CAP, CHIP 0.01 DM
C459	87-010-175-080		CAP, CHIP 560P-50J SL<EZ,K>	C844	87-010-197-080		CAP, CHIP 0.01 DM
C460	87-010-196-080		CHIP CAPACITOR,0.1-25	C851	87-010-197-080		CAP, CHIP 0.01 DM
C461	87-012-158-080		C-CAP,S 390P-50 CH	C852	87-010-197-080		CAP, CHIP 0.01 DM
C462	87-012-158-080		C-CAP,S 390P-50 CH	C853	87-010-197-080		CAP, CHIP 0.01 DM
C470	87-018-127-080		CAP, TC U 470P-50 BK<U>	C858	87-010-196-080		CHIP CAPACITOR,0.1-25
C605	87-010-179-080		CAP,CHIP S B1200P	C859	87-010-196-080		CHIP CAPACITOR,0.1-25
C606	87-010-179-080		CAP,CHIP S B1200P	C860	87-010-197-080		CAP, CHIP 0.01 DM
C609	87-010-213-080		C-CAP,S 0.015-50 B	C869	87-010-197-080		CAP, CHIP 0.01 DM<16EZ>
C610	87-010-213-080		C-CAP,S 0.015-50 B	C871	87-012-156-080		CAP, CHIP S 220P-50 JCH<16EZ>
C611	87-010-545-080		CAP, ELECT 0.22-50V	C872	87-012-156-080		CAP, CHIP S 220P-50 JCH<16EZ>
C612	87-010-545-080		CAP, ELECT 0.22-50V	C873	87-012-140-080		CAP, CHIP S 470P-50 JCH<16EZ>
C613	87-010-545-080		CAP, ELECT 0.22-50V	C874	87-010-405-080		CAP, ELECT 10-50V<16EZ>
C614	87-010-545-080		CAP, ELECT 0.22-50V	C875	87-010-196-080		CAP, CHIP S 0.1-25 FZ<16EZ>
C615	87-010-154-080		CAP CHIP 10P	C876	87-010-405-080		CAP, ELECT 10-50V<16EZ>
C616	87-010-385-080		CAP, ELECT 220-25V<HA>	C877	87-012-156-080		CAP, CHIP S 220P-50 JCH<16EZ>
C616	87-010-248-080		CAP, ELECT 220-10<EZ,K,HS,U>	C878	87-010-316-080		CAP, CHIP S 33P-50 JCH<16EZ>
C617	87-010-385-080		CAP, ELECT 220-25V<HA>	C879	87-010-314-080		CAP, CHIP S 22P-50 JCH<16EZ>
C617	87-010-248-080		CAP, ELECT 220-10<EZ,K,HS,U>	C940	87-010-197-080		CAP, CHIP S 0.01-25 KB<EZ,K>
C618	87-010-405-080		CAP, ELECT 10-50V	C942	87-010-149-080		CAP, CHIP S 5P-50 CH<EZ,K>
C630	87-016-669-080		C-CAP,S 0.1-25 K B	C947	87-010-197-080		CAP, CHIP S 0.01-25 KB<EZ,K>
C669	87-010-322-080		C-CAP,S 100P-50 CH<EZ,K,HA>	C948	87-012-140-080		CAP, CHIP S 470P-50 JCH<EZ,K>

REF. NO.	PART NO.	KANRI NO.	DESCRIPTION	REF. NO.	PART NO.	KANRI NO.	DESCRIPTION
C952	87-010-197-080		CAP, CHIP S 0.01-25 KB<EZ,K>	FRONT C.B			
C957	87-010-311-080		CAP, CHIP S 12P-50 JCH<EZ,K>				
C958	87-010-197-080		CAP, CHIP S 0.01-25 KB<EZ,K>	C101	87-010-196-080		CHIP CAPACITOR,0.1-25
C959	87-010-196-080		CHIP CAPACITOR,0.1-25	C102	87-012-369-080		C-CAP,S 0.047-50F
C960	87-010-196-080		CHIP CAPACITOR,0.1-25	C103	87-010-374-040		CAP, ELECT 47-10
				C104	87-A10-797-040		CAP,E 47-35 M 5L SRM
				C105	87-010-192-080		C-CAP,S 0.022-50 F
C961	87-010-152-080		C-CAP,S 8P-50 CH<EXCEPT EZ,K>				
C962	87-010-401-080		CAP, ELECT 1-50V<EZ,K>				
C963	87-015-785-080		CHIP CAPACITOR, 0.1FZ-25Z	C107	87-010-196-080		CHIP CAPACITOR,0.1-25
C971	87-010-381-080		CAP, ELECT 330-16V	C108	87-010-178-080		CHIP CAP 1000P
C972	87-010-404-080		CAP, ELECT 4.7-50V	C109	87-012-369-080		C-CAP,S 0.047-50F
				C110	87-010-197-080		CAP, CHIP 0.01 DM
				C111	87-010-196-080		CHIP CAPACITOR,0.1-25
C973	87-010-197-080		CAP, CHIP 0.01 DM				
C974	87-010-197-080		CAP, CHIP 0.01 DM				
C979	87-010-322-080		C-CAP,S 100P-50 CH	C113	87-010-178-080		CHIP CAP 1000P
C982	87-010-196-080		CHIP CAPACITOR,0.1-25	C114	87-010-154-080		CAP CHIP 10P
C983	87-010-197-080		CAP, CHIP 0.01 DM	C115	87-010-175-080		CAP 560P
				C116	87-010-400-040		CAP,E 0.47-50
				C117	87-016-460-080		C-CAP,S 0.22-16 B
C984	87-010-197-080		CAP, CHIP 0.01 DM				
C985	87-010-322-080		CAP, CHIP 100P-50J CH<EZ,K>				
C987	87-010-197-080		CAP, CHIP 0.01 DM	C118	87-A10-189-040		CAP,E 220-10
C989	87-010-197-080		CAP, CHIP 0.01 DM<EZ,K>	C119	87-A10-189-040		CAP,E 220-10
C993	87-010-178-080		CHIP CAP 1000P	C120	87-012-156-080		C-CAP,S 220P-50 CH
				C123	87-010-196-080		CHIP CAPACITOR,0.1-25
				C124	87-010-196-080		CHIP CAPACITOR,0.1-25
C995	87-010-178-080		CHIP CAP 1000P				
C997	87-010-196-080		CHIP CAPACITOR,0.1-25				
C999	87-A11-155-080		CAP,TC U 0.01-16 Z F	C125	87-010-405-040		CAP,E 10-50
CF831	87-008-261-010		FILTER, SFE10.7MA5-A<EXCEPT EZ,K>	C126	87-010-196-080		CHIP CAPACITOR,0.1-25
CF831	87-008-423-010		FILTER, CF SFE10.7MAS3G-A<EZ,K>	C129	87-010-374-040		CAP,E 47-10
				C210	87-012-156-080		C-CAP,S 220P-50 CH
				C212	87-010-404-040		CAP,E 4.7-50 SME
CF832	87-008-261-010		FILTER, SFE10.7MA5-A<EXCEPT EZ,K>				
CF832	82-785-747-010		CF,MS2 GHY,R<EZ,K>				
CN301	87-A60-620-010		CONN,3P V 2MM JMT	C213	87-010-404-040		CAP,E 4.7-50 SME
CN351	87-A60-625-010		CONN,8P V 2MM JMT	C401	87-010-186-080		C-CAP,S 4700P-50 K B<HS>
CN601	87-099-719-010		CONN,30P TYK-B(X)	C402	87-010-060-040		CAP,E 100-16 M 7L SRA<HS>
				C403	87-010-545-040		CAP,E 0.22-50 M 11L SME<HS>
				C404	87-010-322-040		C-CAP,S 100P-50 J CH GRM<HS>
CN602	87-099-194-010		CONN,6P 6216V				
CNA1	8A-NF8-652-010		CONN ASSY,7P TID-A(480)<HS>	C405	87-010-545-040		CAP,E 0.22-50 M 11L SME<HS>
CNA1	8A-NF8-653-010		CONN ASSY,9P TID-A(480)<HA>	C406	87-016-669-080		C-CAP,S 0.1-25 K B<HS>
FFB831	A8-8ZA-190-030		8ZA-1 FEUNM-EXCEPT EZ,K>	C407	87-010-405-040		CAP,E 10-50 M 11L SME<HS>
FFB831	A8-6ZA-191-130		6ZA-1 FEENM<EZ,K>	C408	87-010-322-040		C-CAP,S 100P-50 J CH GRM<HS>
				C409	87-010-378-040		CAP,E 10-16 M 11L SME<HS>
J101	87-A60-602-010		JACK,DIA6.3 BLK ST W/SW TC				
J203	87-A60-238-010		TERMINAL,SP 4P (MSC)<HA>				
J602	87-A60-881-010		JACK,PIN 2P MSP 242V05 PBSN	C410	87-010-196-080		C-CAP,S 0.1-25 Z F<HS>
J831	87-A60-202-010		TERMINAL,ANT 4P MSP-154V02<U,HA,HS>	C412	87-010-177-080		C-CAP,S 820P-50 J SL<HS>
J832	87-A60-403-010		TERMINAL,ANT PAL 2P HSP312V05<EZ,K>	C701	87-010-384-040		CAP,E 100-25 SME
				C702	87-010-178-080		C-CAP,S1000P-50KB<EZ,K>
L101	87-003-383-010		COIL,1UH-S<EXCEPT U>	CN101	87-099-720-010		CONN,30P TYK-B(P)
L101	87-A50-610-010		COIL,1UH-K(MDEC)<U>				
L102	87-003-383-010		COIL,1UH-S<EXCEPT U>	CN701	87-A60-673-010		CONN,9P H 2MM JMT
L102	87-A50-610-010		COIL,1UH-K(MDEC)<U>	CN801	87-099-015-010		CONN,13P 6216V
L451	87-007-342-010		COIL,OSC 85K BIAS	EMI401	87-008-372-080		FLTR,EMI BL01 RN1<HS>
				FL201	8A-NFA-604-010		FL,10-BT-224GNK
L801	87-A50-540-010		COIL,FM DET (TOK)<EZ,K>	J404	87-A61-242-010		JACK,6.3 BLK MONO W/SW VKM<HS>
L801	87-A50-608-010		COIL,FM DET-N (TOK)<EXCEPT EZ,K>				
L802	87-A91-551-010		FLTR,PCFJZH-450 L(TOK)	L101	87-A50-434-010		COIL,CLK 4.19M(TOKO)
L811	87-005-847-080		COIL,2.2UH(CECS)	LED101	87-A40-317-080		LED,SLR-342VCT31 RED
L832	87-005-847-080		COIL,2.2UH(CECS)	S101	87-A91-555-010		SW,RTFY EC12E24504
				S301	87-A90-164-080		SW,TACT SKQAB(N)
				S302	87-A90-164-080		SW,TACT SKQAB(N)
L861	87-005-847-080		COIL,2.2UH(CECS)<16EZ>				
L941	87-A50-020-010		COIL,ANT LWCOI<EZ,K>	S303	87-A90-164-080		SW,TACT SKQAB(N)
L942	87-A50-019-010		COIL,OSC LWCOI<EZ,K>	S304	87-A90-164-080		SW,TACT SKQAB(N)
L951	8A-NF8-667-010		COIL,AM PACK 4(TOK)<EXCEPT EZ,K>	S305	87-A90-164-080		SW,TACT SKQAB(N)
L951	8A-NF8-668-010		COIL,AM PACK 2(TOK)<EZ,K>	S306	87-A90-164-080		SW,TACT SKQAB(N)
				S307	87-A90-164-080		SW,TACT SKQAB(N)
R131	87-A00-258-080		RES,M/F 0.22-1W J<HA>				
R132	87-A00-258-080		RES,M/F 0.22-1W J<HA>				
R653	87-A11-144-080		CAP,TC U 0.1-50 K B<HA>	S308	87-A90-164-080		SW,TACT SKQAB(N)
R654	87-A11-144-080		CAP,TC U 0.1-50 K B<HA>	S309	87-A90-164-080		SW,TACT SKQAB(N)
R790	87-010-197-080		CAP, CHIP 0.01 DM	S310	87-A90-164-080		SW,TACT SKQAB(N)<16EZ>
				S311	87-A90-164-080		SW,TACT SKQAB(N)<16EZ>
				S312	87-A90-164-080		SW,TACT SKQAB(N)<16EZ>
R991	87-010-322-080		C-CAP,S 100P-50 CH				
R993	87-010-322-080		C-CAP,S 100P-50 CH	S321	87-A90-164-080		SW,TACT SKQAB(N)
R995	87-010-322-080		C-CAP,S 100P-50 CH	S322	87-A90-164-080		SW,TACT SKQAB(N)
TC942	87-011-253-080		TRIMMER,CER 30P 4.0X4.5<EZ,K>	S323	87-A90-164-080		SW,TACT SKQAB(N)
W181	85-NF5-628-010		F-CABLE,7P 2.5<EZ,K,U>	S324	87-A90-164-080		SW,TACT SKQAB(N)
				S325	87-A90-164-080		SW,TACT SKQAB(N)
WH1	87-A90-510-010		HLD, WIRE 2.5-9P<HA>				
WH1	87-A90-460-010		HLD, WIRE 2.5-7P<EXCEPT HA>				
X861	87-A70-091-010		VIB,XTAL 4.332MHZ CSA-309<16EZ>	S326	87-A90-164-080		SW,TACT SKQAB(N)
X991	87-A70-061-010		VIB,XTAL 4.500MHZ CSA-309	S327	87-A90-164-080		SW,TACT SKQAB(N)
				S328	87-A90-164-080		SW,TACT SKQAB(N)

REF. NO.	PART NO.	KANRI NO.	DESCRIPTION
S329	87-A90-164-080		SW, TACT SKQAB (N)
S330	87-A90-164-080		SW, TACT SKQAB (N)
S331	87-A90-164-080		SW, TACT SKQAB (N)
SFR701	87-024-431-080		SFR, 3.3K RH063EC
VR401	87-NB7-602-010		VR, RTRY 10KAX1 1V<HS>
PT C.B			
C1	87-010-387-080		CAP, E 470-25 SME<HA, HS>
C31	87-010-403-080		CAP, ELECT 3.3-50V<HA, HS>
C183	87-010-387-080		CAP, ELECT 470-25 M<U, EZ, K>
C184	87-010-403-080		CAP, ELECT 3.3-50V<U, EZ, K>
C185	87-018-209-080		CAP, TC U 0.1-50 ZF<EZ, K>
CN1	87-A61-110-010		CONN, 9P V TID-A<HA>
CN1	87-A61-109-010		CONN, 7P V TID-A<HS>
△ PT1	8A-NFA-606-010		PT, ANF-A HR<HS>
△ PT1	8A-NFA-608-010		PT, ANF-A EZ<EZ, K>
△ PT1	8A-NFA-609-010		PT, ANF-A LH<HA>
△ PT1	8A-NFZ-610-010		PT, ANF-Z U30<U>
△ PT2	8A-NF8-673-010		PT, SUB ANF-8 (H) KAMI<HA, HS>
△ PT181	8A-NF8-661-010		PT, SUB ANF-8 (U) <U>
△ PT181	8A-NF8-662-010		PT, SUB ANF-8 (E) <EZ, K>
△ RY1	87-A91-281-010		RELAY, AC DC12V OSA-SS-212DM5<HA, HS>
△ RY181	87-A90-976-010		RELAY, AC12V SDT-S-112LMR<U, EZ, K>
△ S1	87-A90-165-010		SW, SL 1-2-3 SWS2301<HA>
△ T1	87-A60-317-010		TERMINAL, 1P MSC<HA, HS>
△ T2	87-A60-317-010		TERMINAL, 1P MSC<HA, HS>
△ T181	87-A60-317-010		TERMINAL, 1P MSC<U, EZ, K>
△ T182	87-A60-317-010		TERMINAL, 1P MSC<U, EZ, K>
WH181	87-A90-460-010		HLDR, WIRE 2.5-7P<U, EZ, K>

○チップ抵抗部品コード/CHIP RESISTOR PART CODE

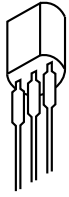
チップ抵抗部品コードの成り立ち  
Chip Resistor Part Coding



チップ抵抗  
Chip resistor

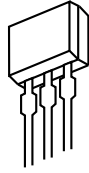
容量 Wattage	種類 Type	許容誤差 Tolerance	記号 Symbol	寸法/Dimensions (mm)			抵抗コード : A Resistor Code : A	
				外形/Form	L	W		t
1/16W	1005	± 5%	CJ		1.0	0.5	0.35	104
1/16W	1608	± 5%	CJ		1.6	0.8	0.45	108
1/10W	2125	± 5%	CJ		2	1.25	0.45	118
1/8W	3216	± 5%	CJ		3.2	1.6	0.55	128

# TRANSISTOR ILLUSTRATION



E C B

CSA952  
CSC4115  
KTA1266  
KTC3198  
KTC3199



S D G

2SJ460  
2SK2541



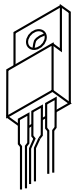
E C B

DTC114ES



B C E

2SB1342  
2SB1370  
2SD1933



B C E

2SC3331



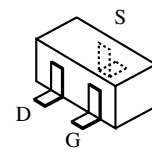
E B C

2SA1981

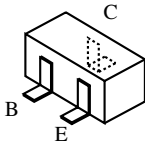


E C B

CC5551

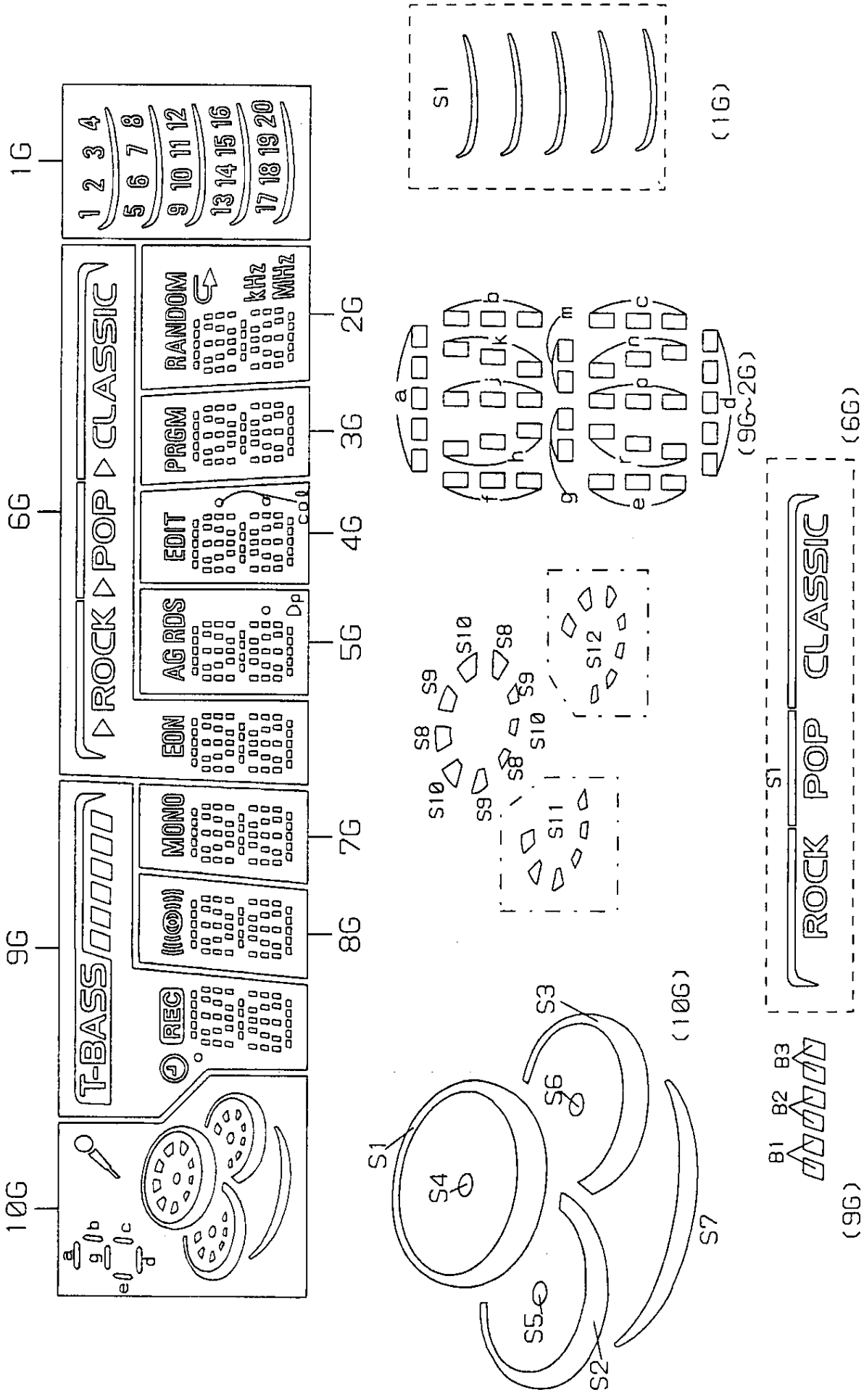


2SK360










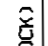



2SA1235	CMBT5551
2SC2714	KRA102
2SC3052	KRA107
CSD1306	KRC102
CMBT5401	KRC104

FL (10-BT-224GNK) GRID ASSIGNMENT AND ANODE CONNECTION  
 GRID ASSIGNMENT



ANODE CONNECTION

	10G	9G	8G	7G	6G	5G	4G	3G	2G	1G
P1	-	d	d	d	d	d	d	d	d	20
P2	S7	n	n	n	n	n	n	n	n	19
P3	--	p	p	p	p	p	p	p	p	18
P4	S11	r	r	r	r	r	r	r	r	17
P5	S5	e	e	e	e	e	e	e	e	16
P6	S2	c	c	c	c	c	c	c	c	15
P7	S12	g	g	g	g	g	g	g	g	14
P8	S6	m	m	m	m	m	m	m	m	13
P9	S3	f	f	f	f	f	f	f	f	12
P10	S10	b	b	b	b	b	b	b	b	11
P11	S9	k	k	k	k	k	k	k	k	10
P12	S8	j	j	j	j	j	j	j	j	9
P13	S4	h	h	h	h	h	h	h	h	8
P14	S1	a	a	a	a	a	a	a	a	7
P15	-				Dp	col (F)	col (F)	-	MHZ	6
P16	-		-	-	AG	col (H)	col (H)	-	KHZ	5
P17			-	-	RDS	EDIT	PRGM	PRGM		4
P18	a, d, g		-	-	 (CLASSIC)	-	-	-	-	3
P19	b	B1	-	-	 (ROCK)	-	-	-	-	2
P20	c	B2	-	-	 (POP)	-	-	-	RANDOM	1
P21	e	B3	-	-	S1	-	-	-	-	S1



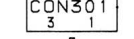
TO CD MECHANISM AZG-1



CN602

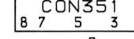
# A MAIN C.B. <U>

TO DECK2

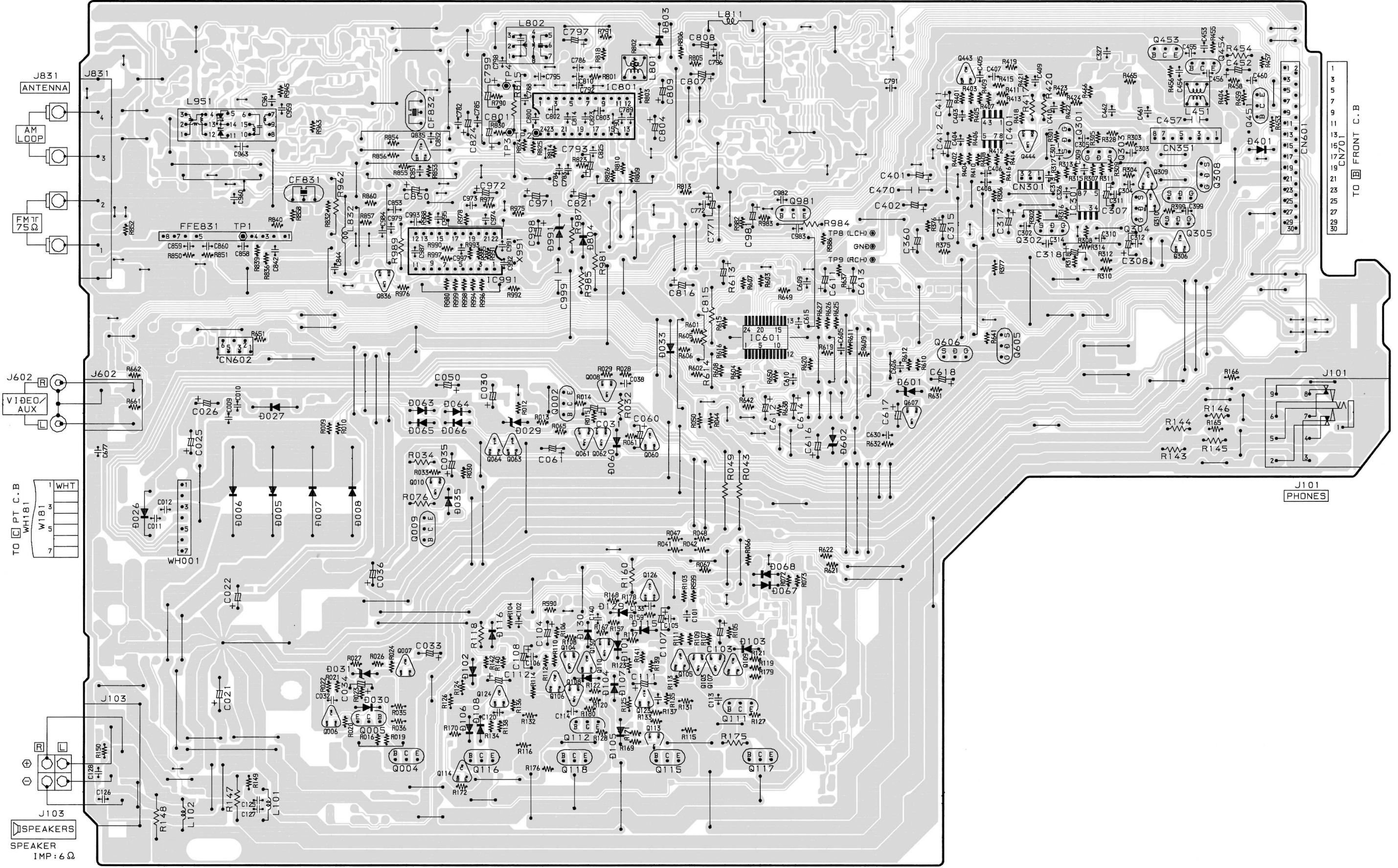


TO CN301

TO DECK1



TO CN351

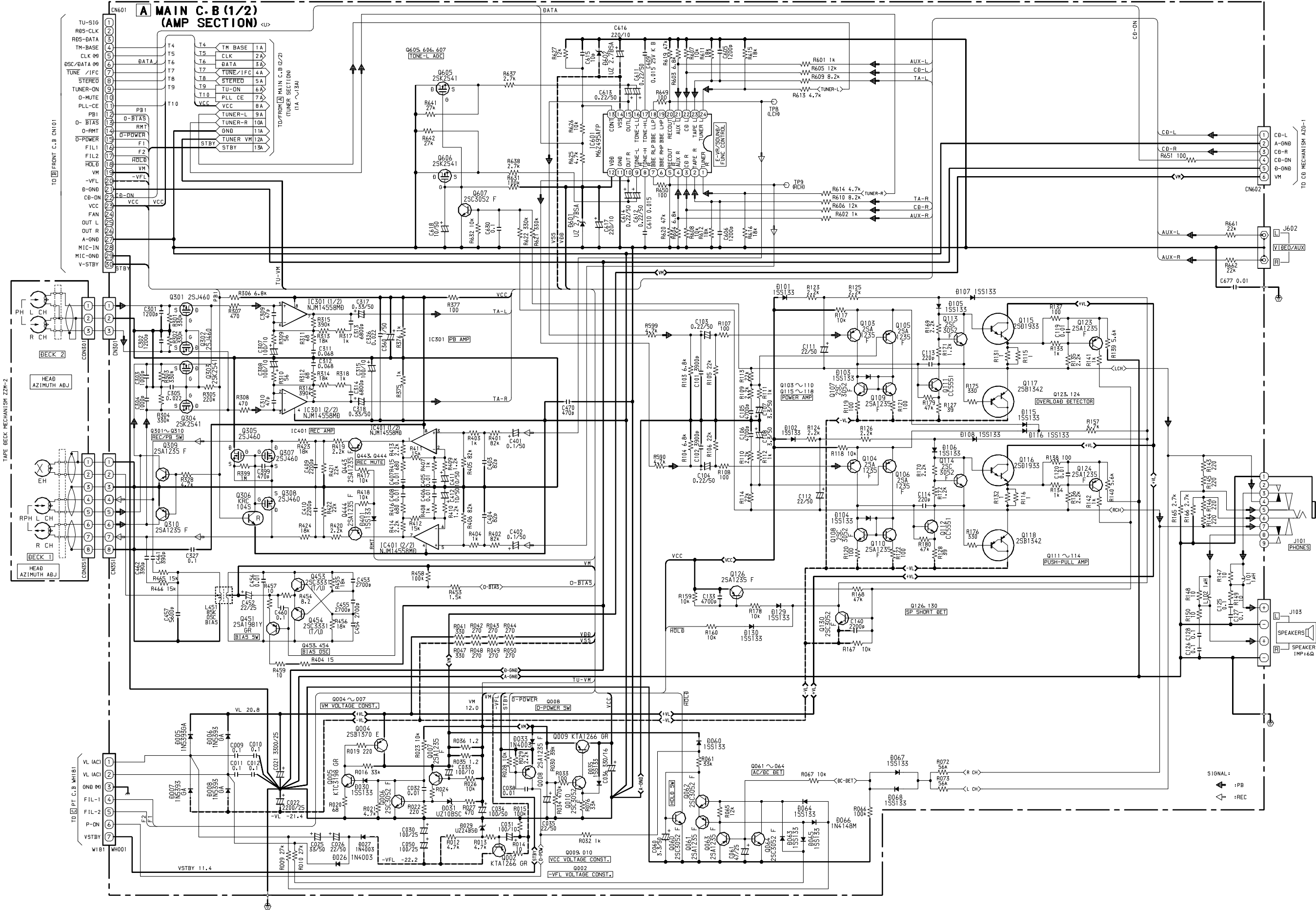


TO FRONT C.B.  
CN701

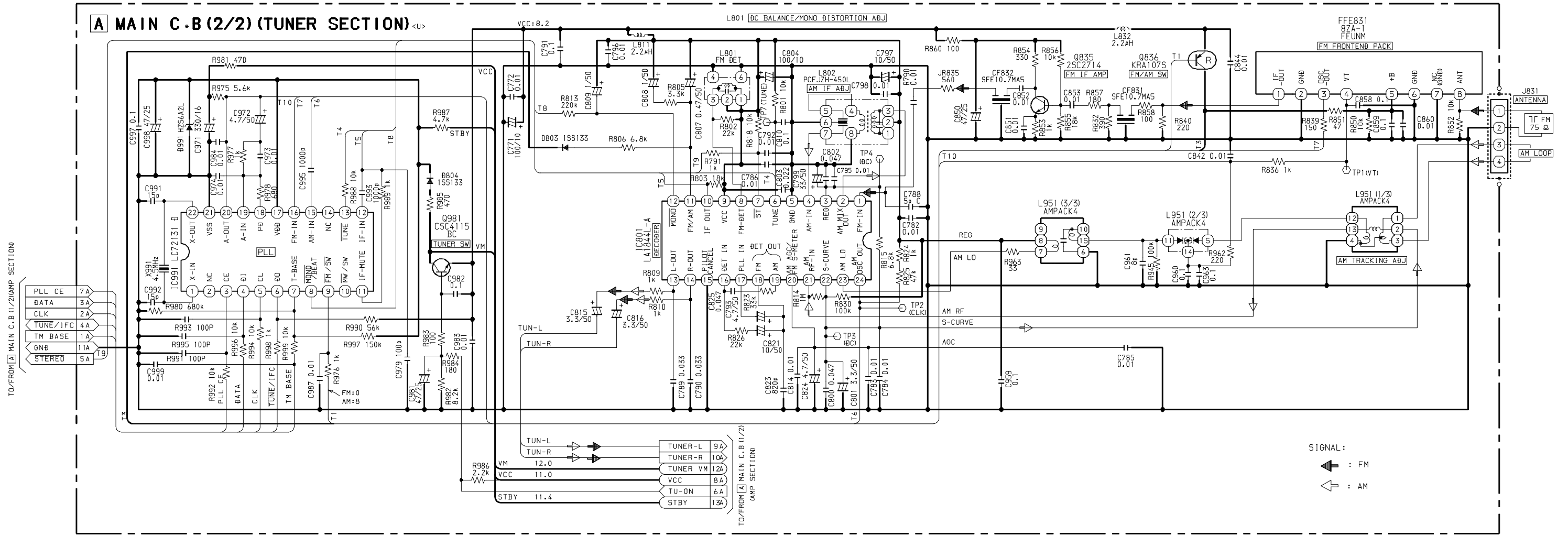
A  
B  
C  
D  
E  
F  
G  
H  
I  
J  
K  
L  
M  
N  
O  
P  
Q  
R  
S  
T  
U



SCHEMATIC DIAGRAM - 1 (MAIN 1/2 : AMP SECTION) <U>

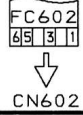


SCHEMATIC DIAGRAM – 2 (MAIN 2 / 2 : TUNER SECTION) <U>

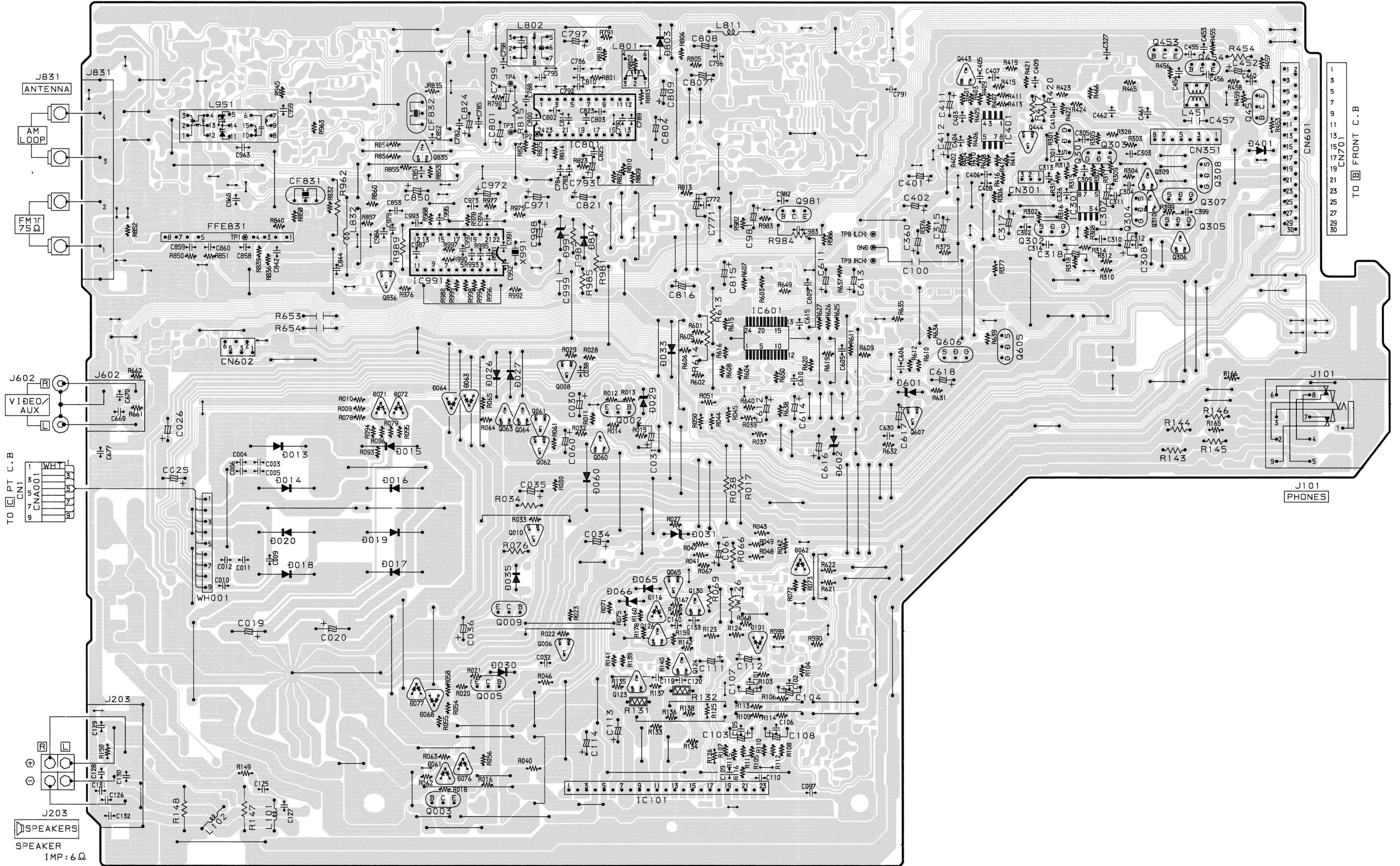
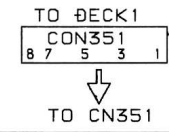
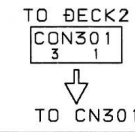




TO CB MECHANISM AZG-1



# A MAIN C.B. <HA>

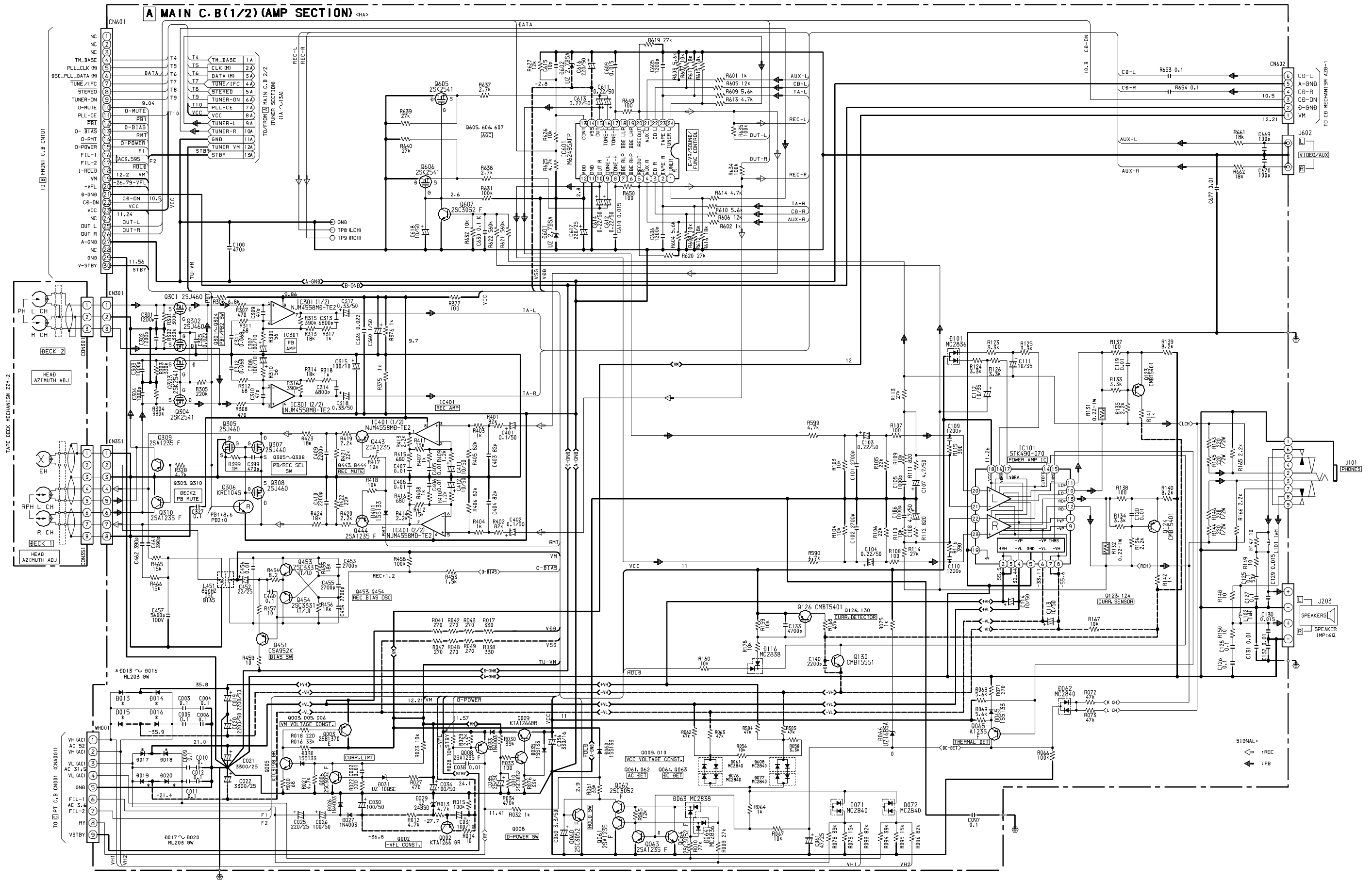


TO FRONT C.B.  
CN701

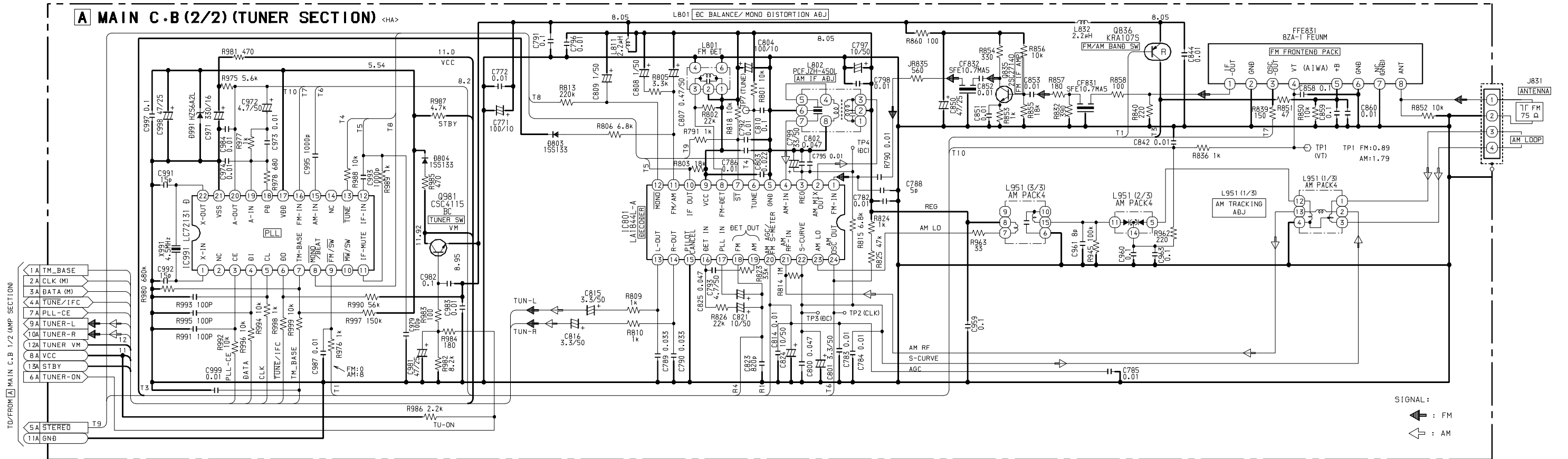
A  
B  
C  
D  
E  
F  
G  
H  
I  
J  
K  
L  
M  
N  
O  
P  
Q  
R  
S  
T  
U



SCHEMATIC DIAGRAM - 3 (MAIN 1/2 : AMP SECTION) <HA>



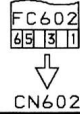
SCHEMATIC DIAGRAM - 4 (TUNER SECTION : HA)



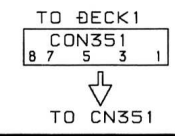
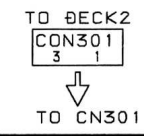


32 31 30 29 28 27 26 25 24 23 22 21 20 19 18 17 16 15 14 13 12 11 10 9 8 7 6 5 4 3 2 1

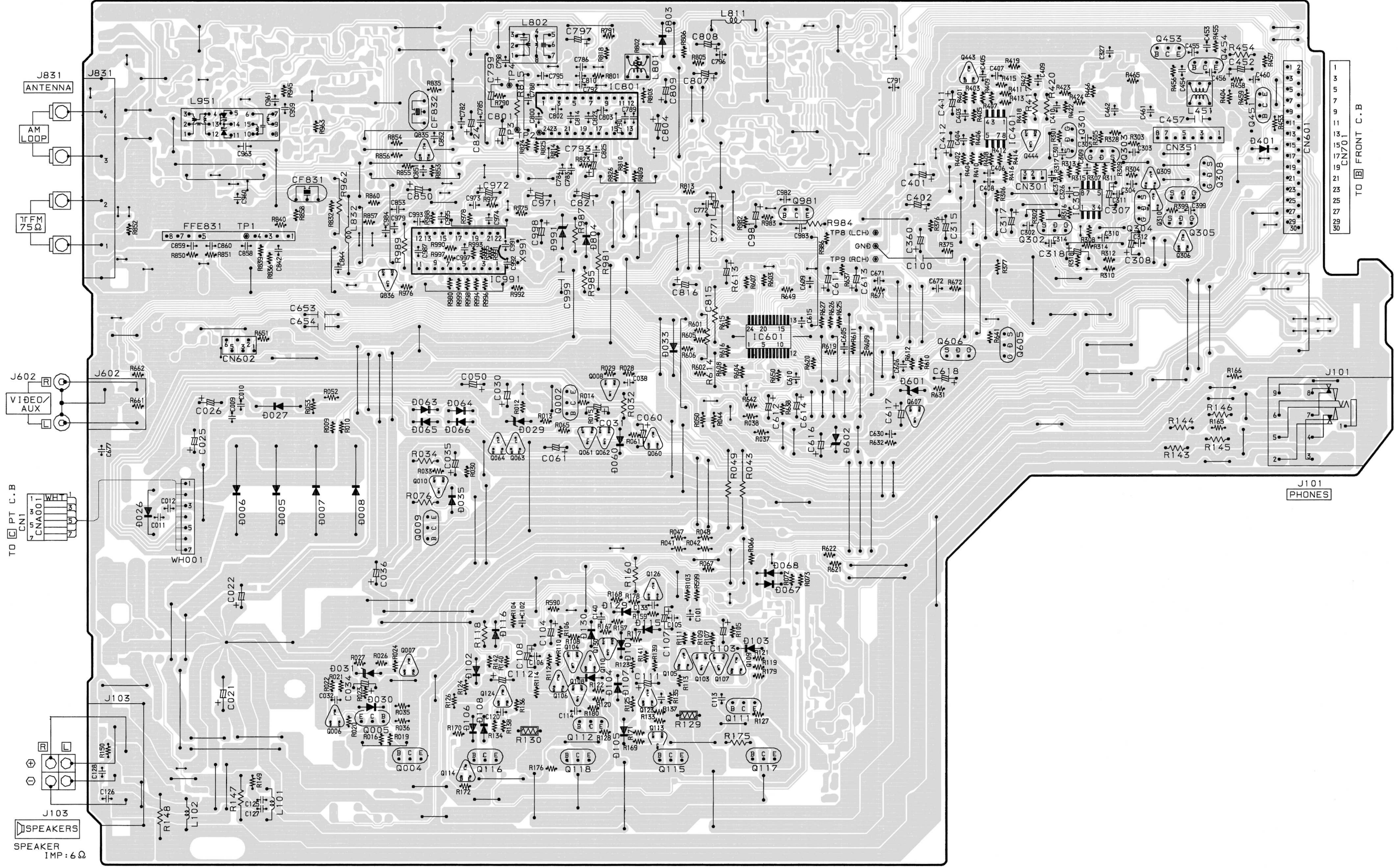
TO C.B. MECHANISM AZG-1



# A MAIN C.B. <HS>



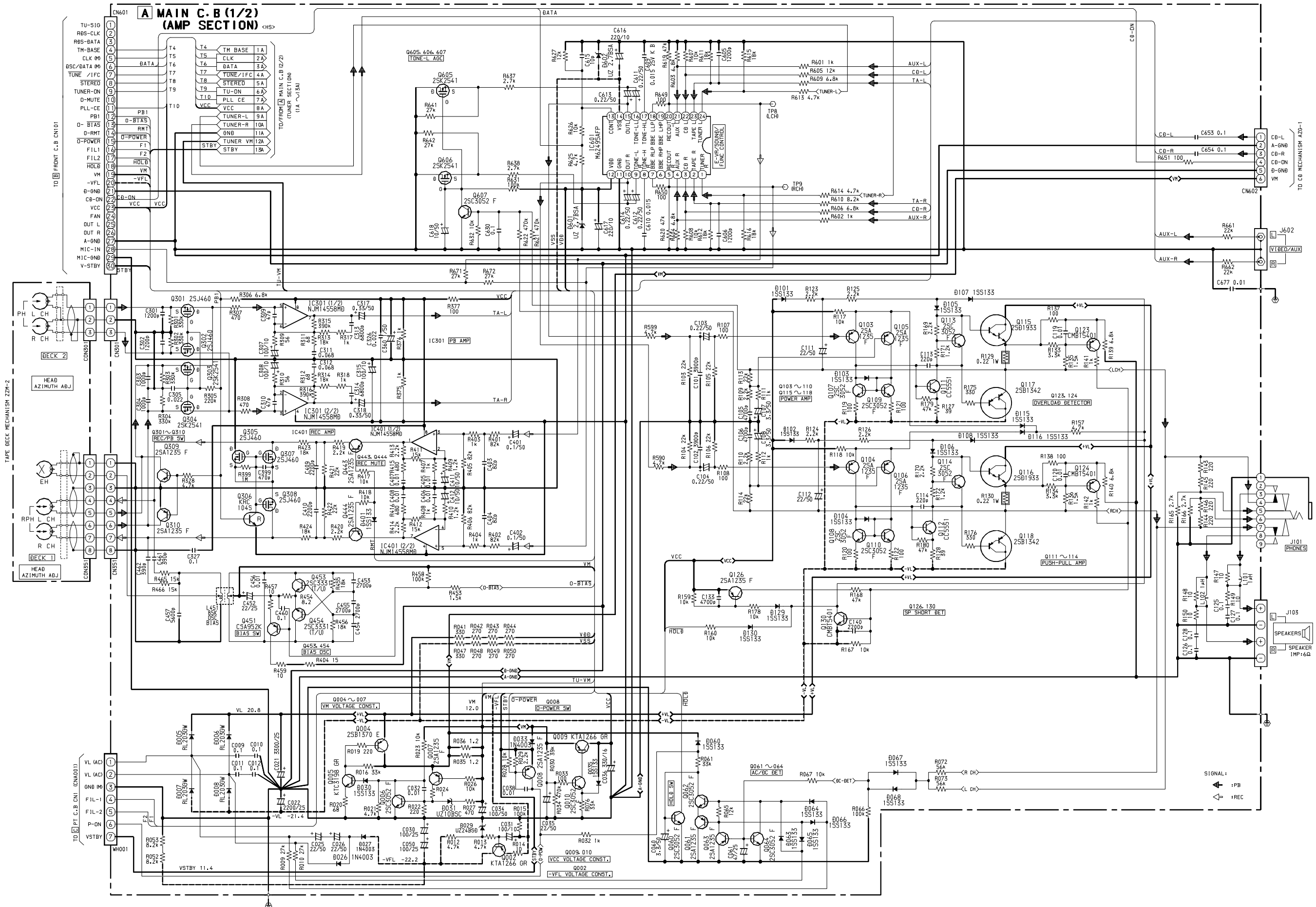
A  
B  
C  
D  
E  
F  
G  
H  
I  
J  
K  
L  
M  
N  
O  
P  
Q  
R  
S  
T  
U



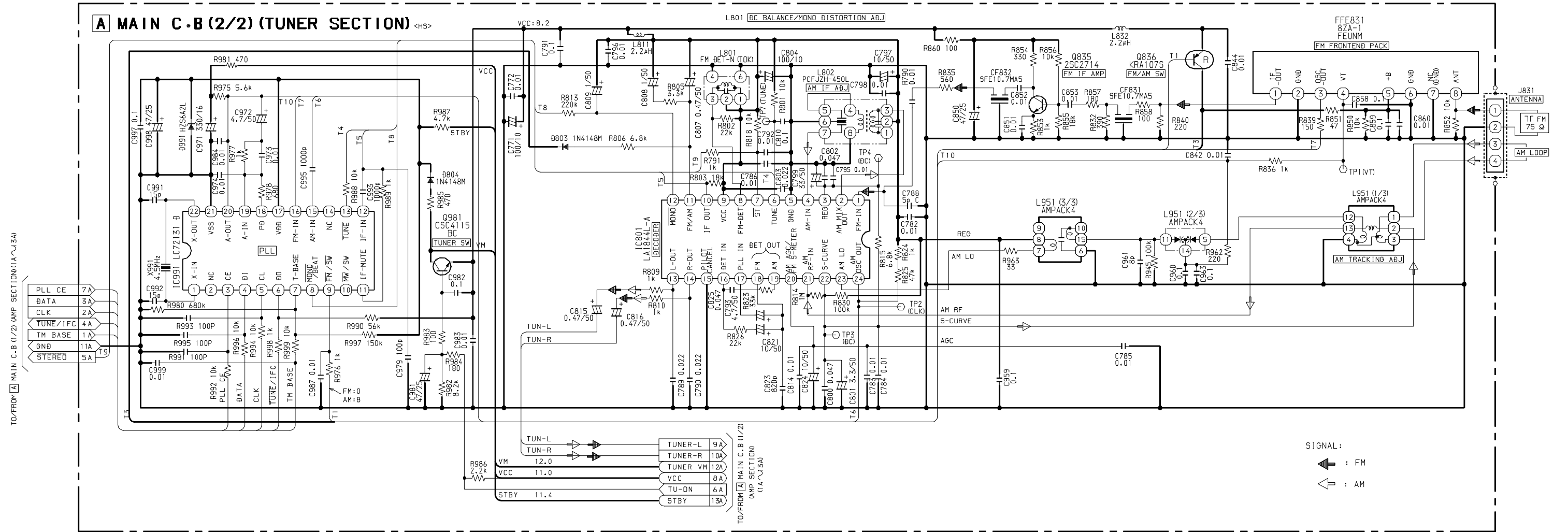
TO FRONT C.B.



SCHEMATIC DIAGRAM - 5 (MAIN 1/2 : AMP SECTION) <HS>



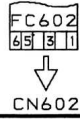




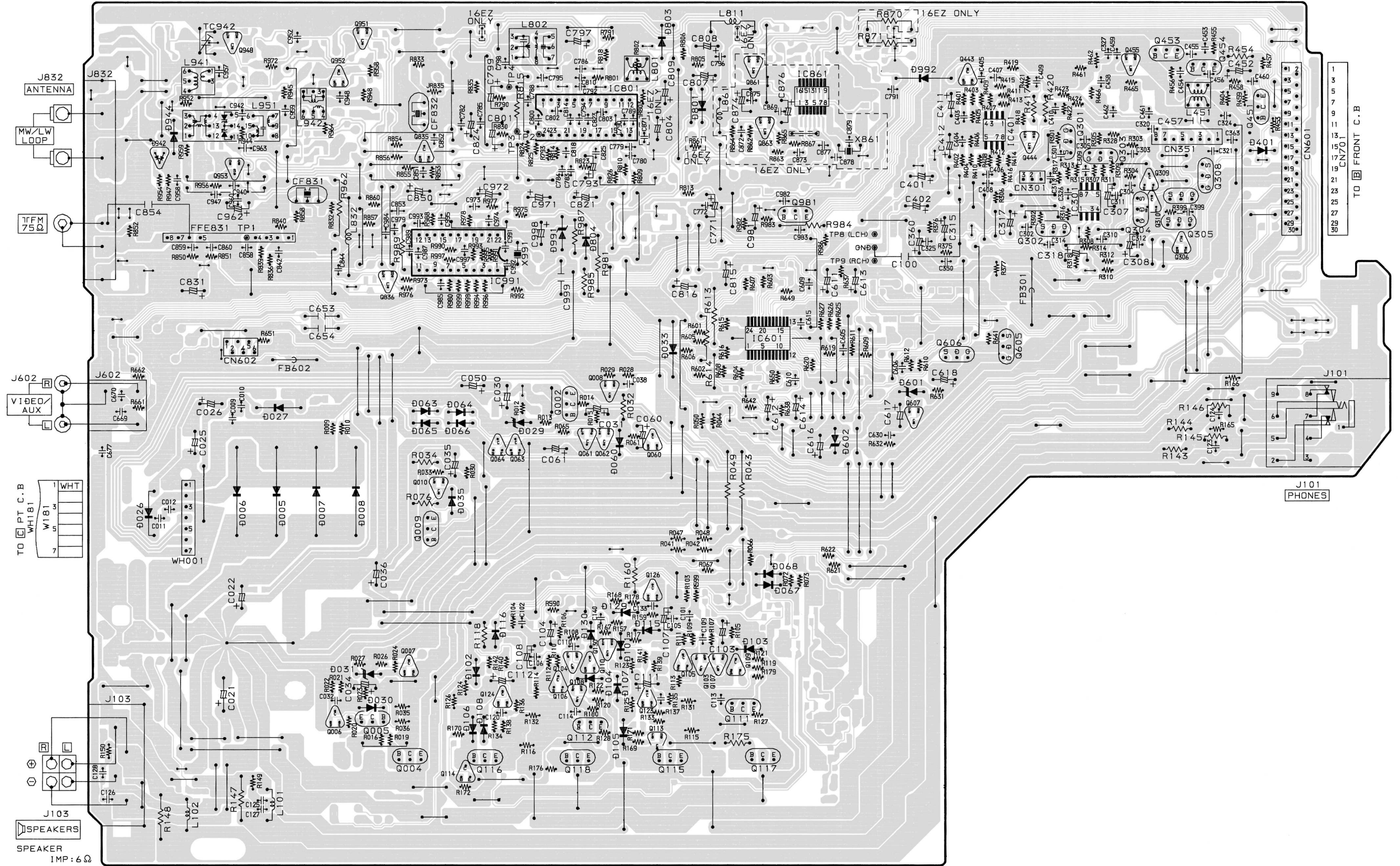
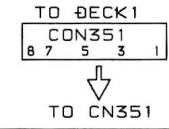
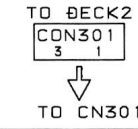


32 31 30 29 28 27 26 25 24 23 22 21 20 19 18 17 16 15 14 13 12 11 10 9 8 7 6 5 4 3 2 1

TO CD MECHANISM AZG-1



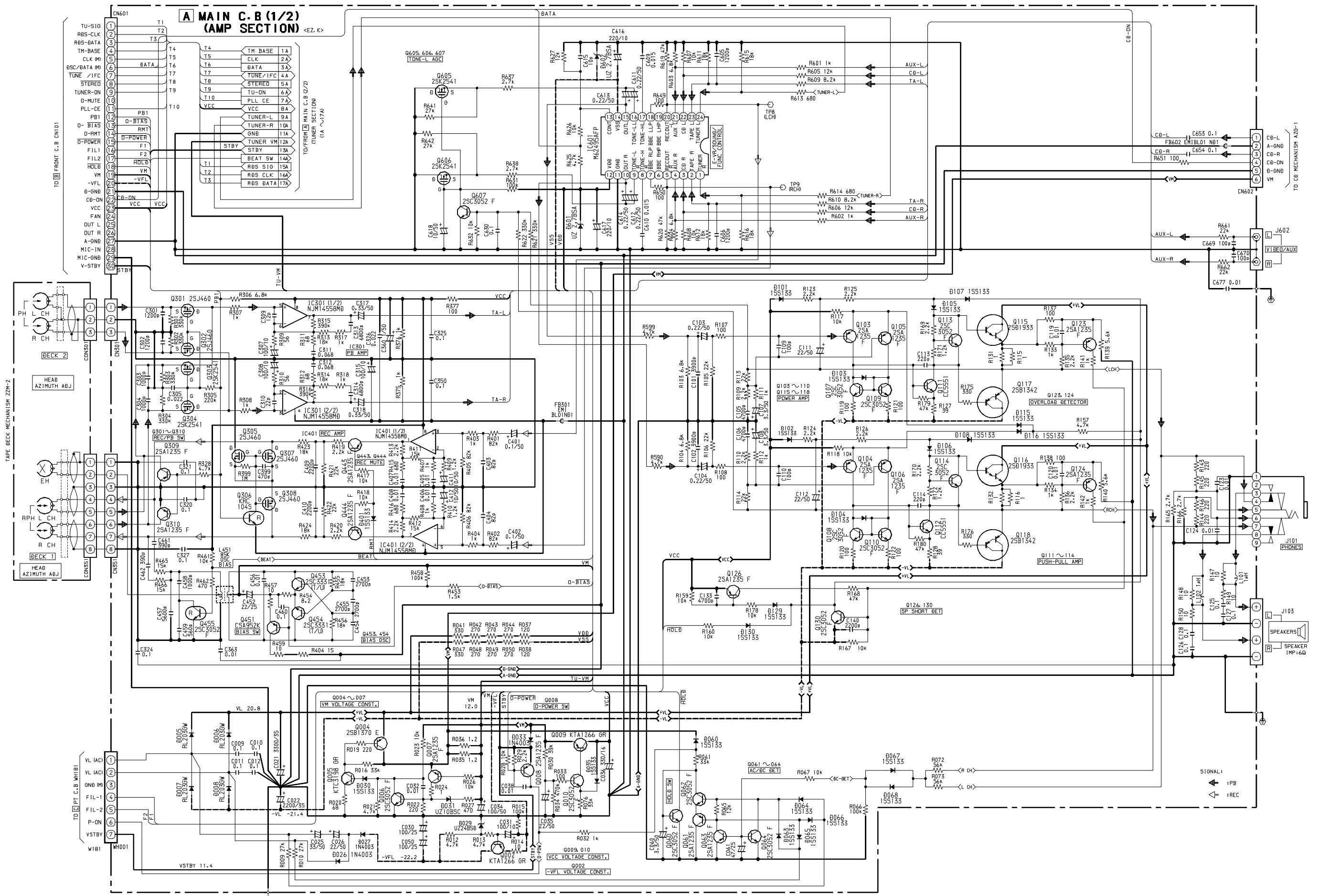
# A MAIN C.B <EZ, K>



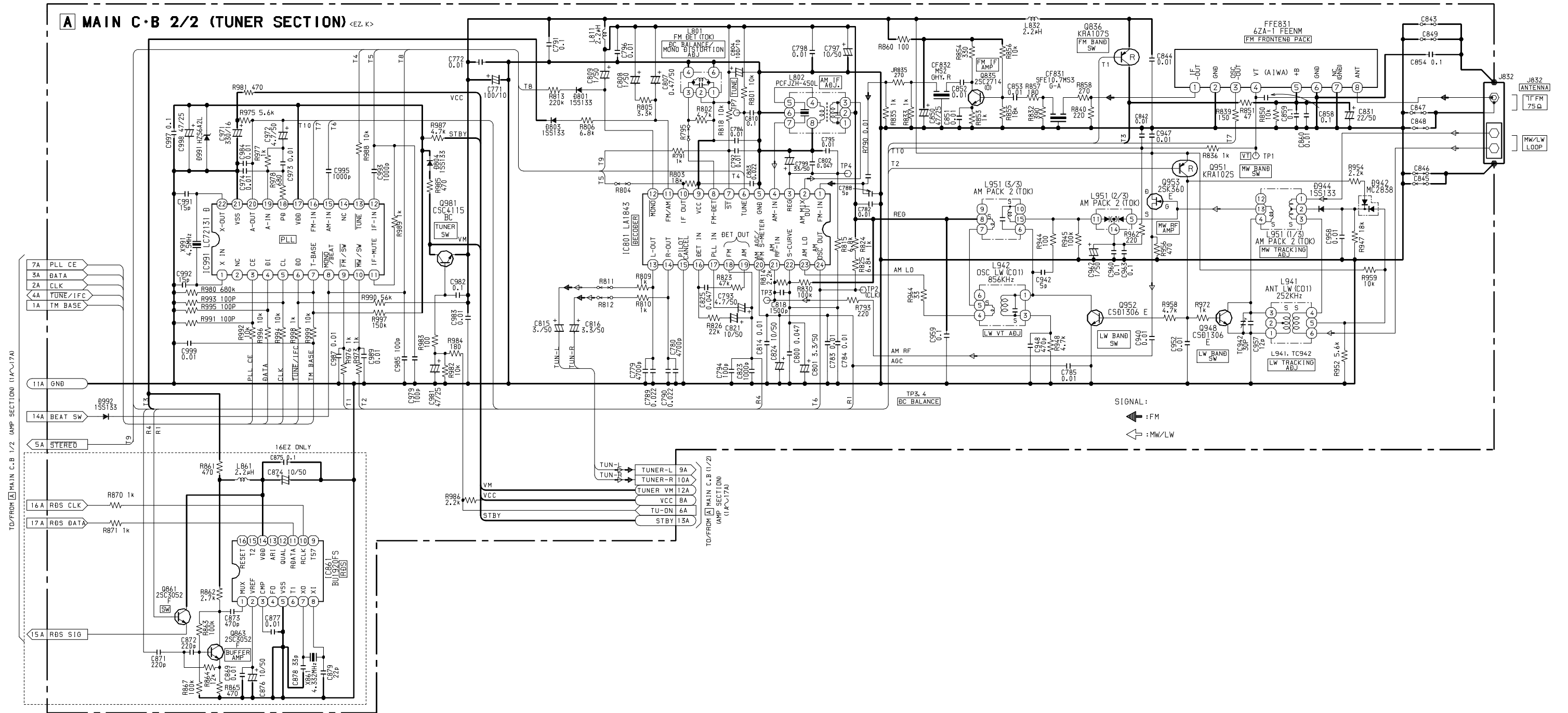
A  
B  
C  
D  
E  
F  
G  
H  
I  
J  
K  
L  
M  
N  
O  
P  
Q  
R  
S  
T  
U



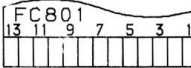
SCHEMATIC DIAGRAM - 7 (MAIN 1/2 : AMP SECTION) <EZ, K>



SCHEMATIC DIAGRAM - 8 (TUNER SECTION : EZ, K)



TO CD MECHANISM AZG-1



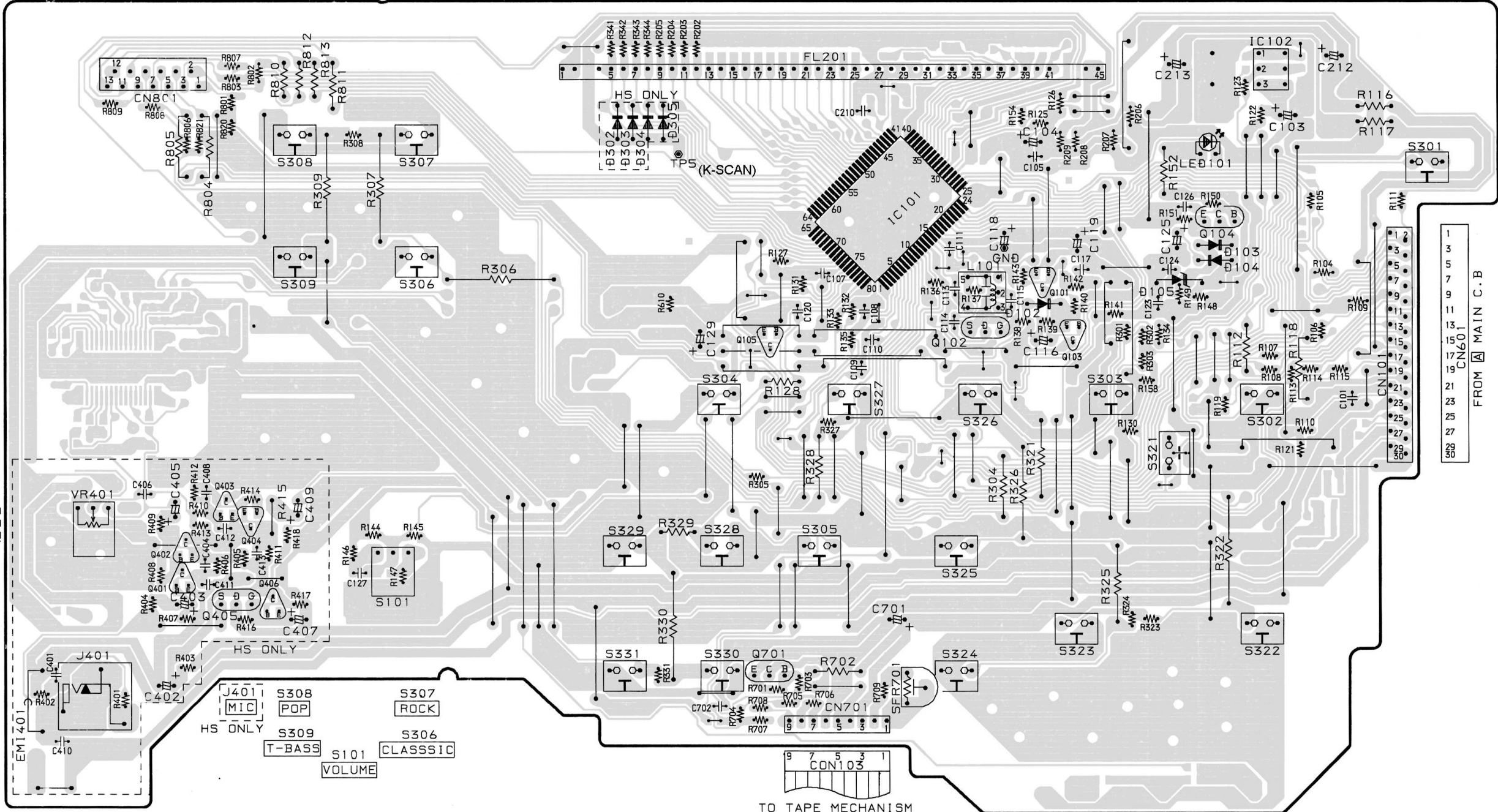
**B** FRONT C. B <HS, HA, U>

FL201 (DISPLAY)

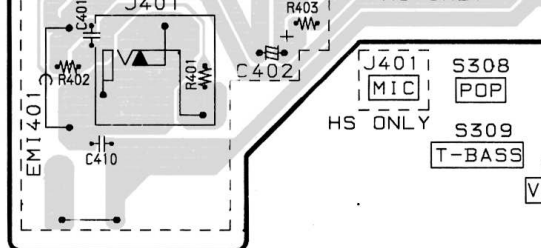
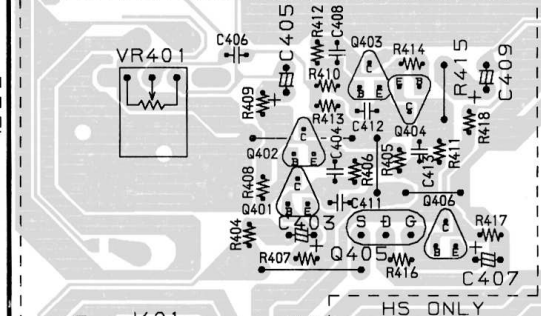
LED101 (STANDBY)

IC102 (REMOTE SENSOR)

S301 (POWER)

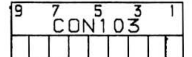


HS ONLY  
VR40  
MIC MIXING

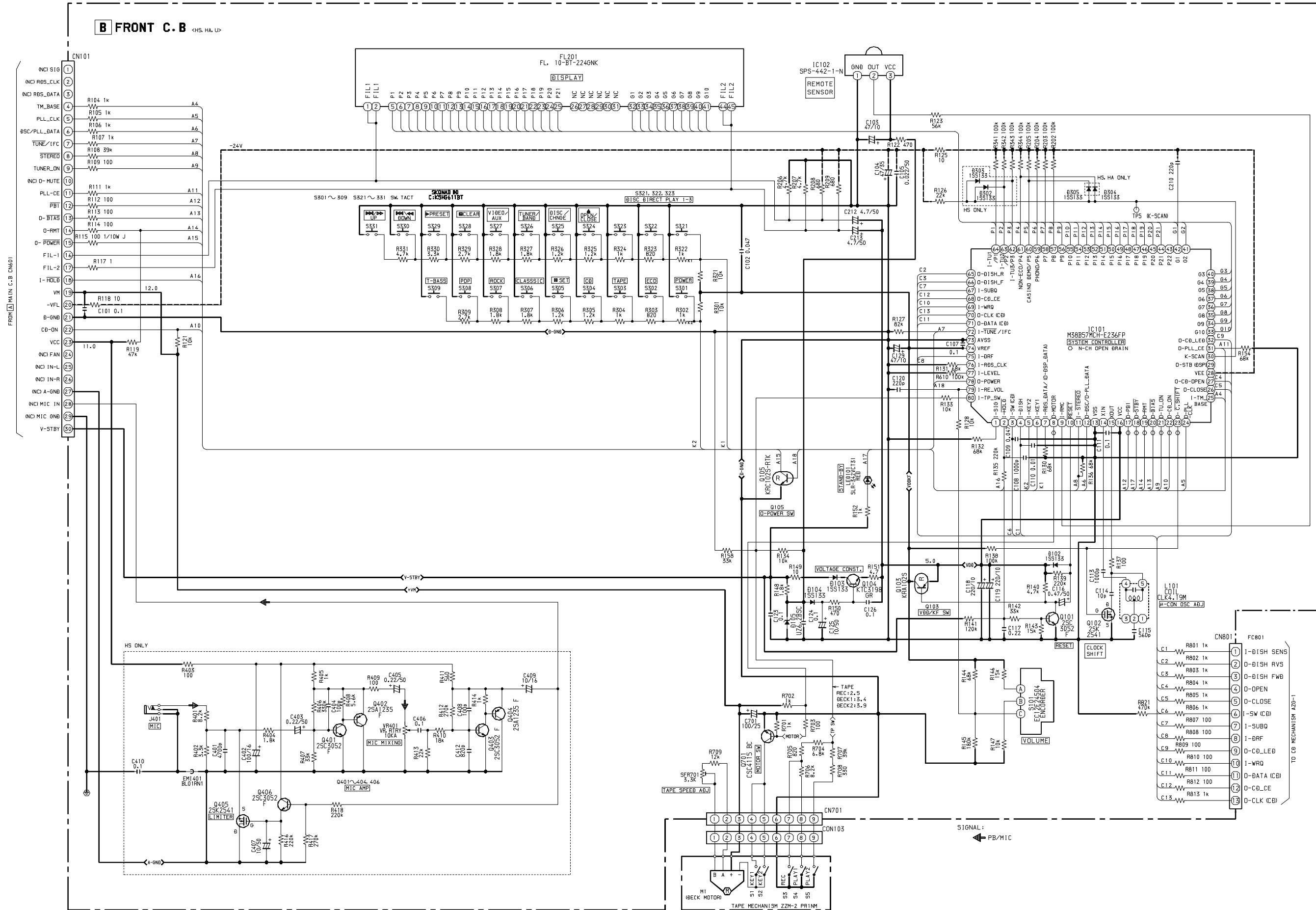


- S329  
PRESET
- S328  
CLEAR
- S305  
SET
- S326  
TUNER/BAND
- S302  
ECO
- S331  
UP
- S330  
DOWN
- S324  
OPEN/CLOSE
- S304  
CD
- S327  
VIDEO/AUX
- S325  
DISC/CHANGE
- S303  
TAPE
- S321, 322, 323  
DISC DIRECT PLAY 1-3

TO TAPE MECHANISM  
ZZM-2 PRINM

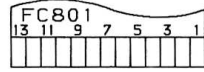


SCHEMATIC DIAGRAM - 9 (FRONT : HS, HA, U)





TO CD MECHANISM AZG-1



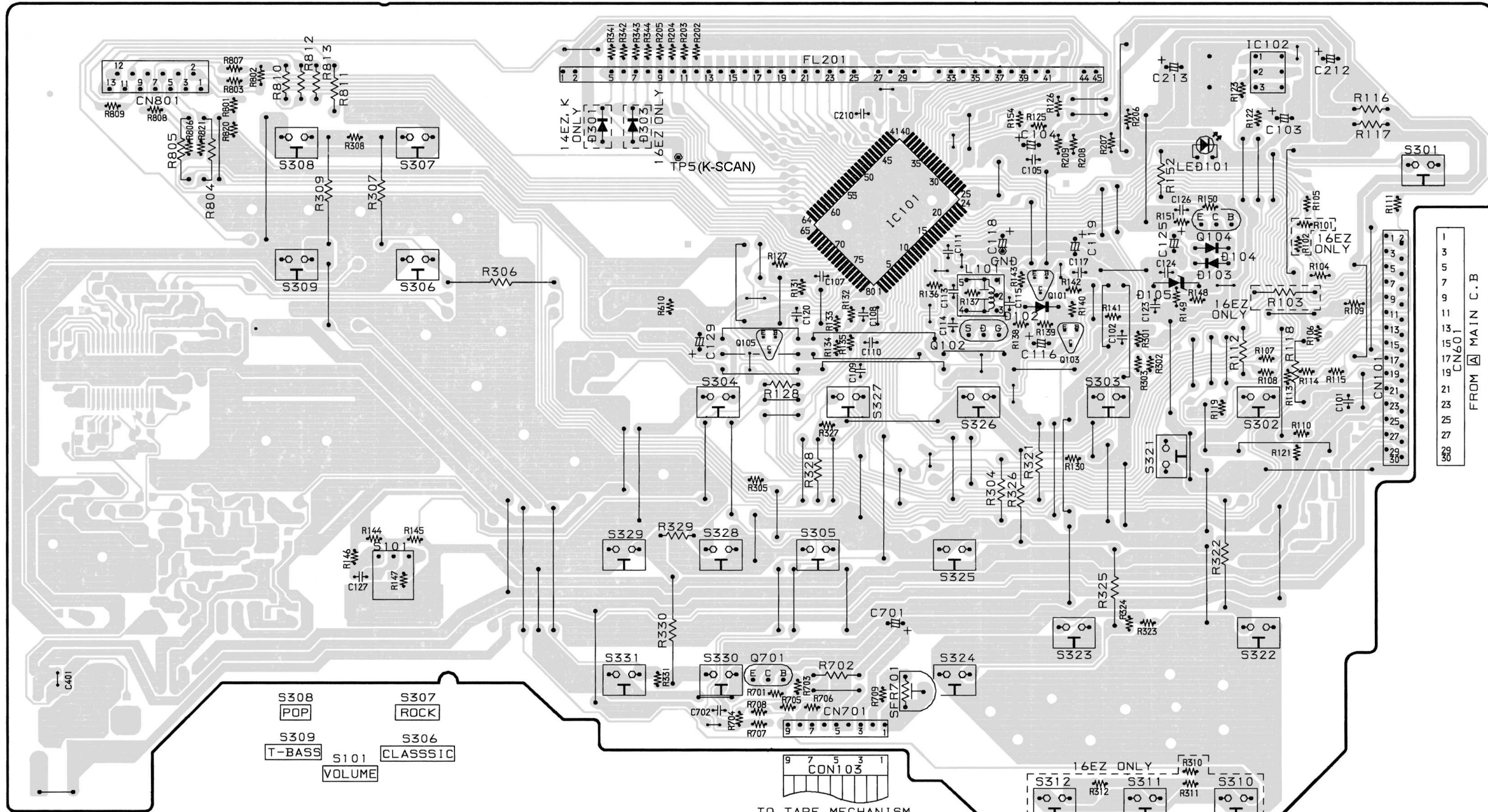
**B** FRONT C. B <EZ, K>

FL201 (DISPLAY)

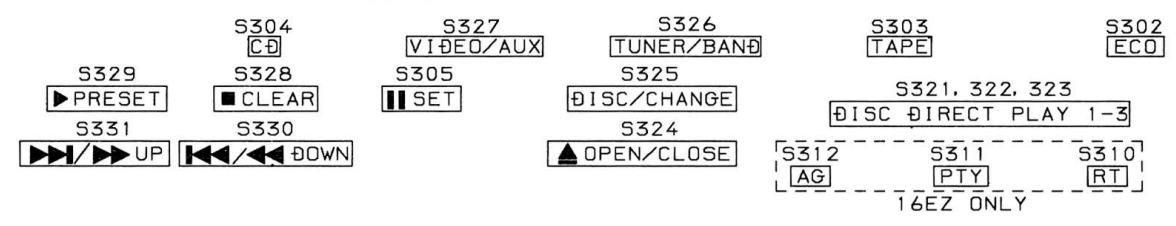
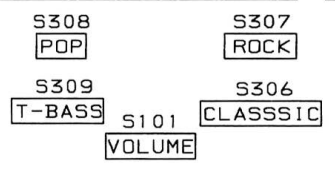
LED101 (STANDBY)

IC102 (REMOTE SENSOR)

S301 (POWER)



TO TAPE MECHANISM ZM-2 PR1NM







WIRING-7 (PT: EZ, K, U)

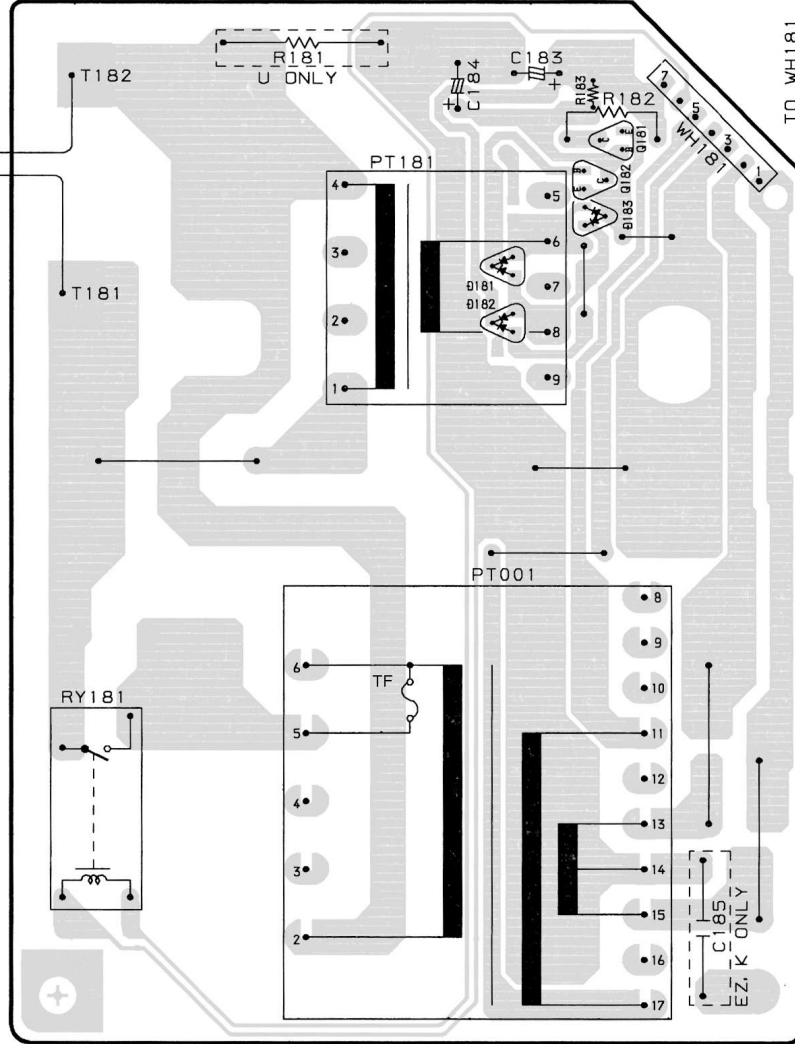
15	14	13	12	11	10	9	8	7	6	5	4	3	2	1
----	----	----	----	----	----	---	---	---	---	---	---	---	---	---

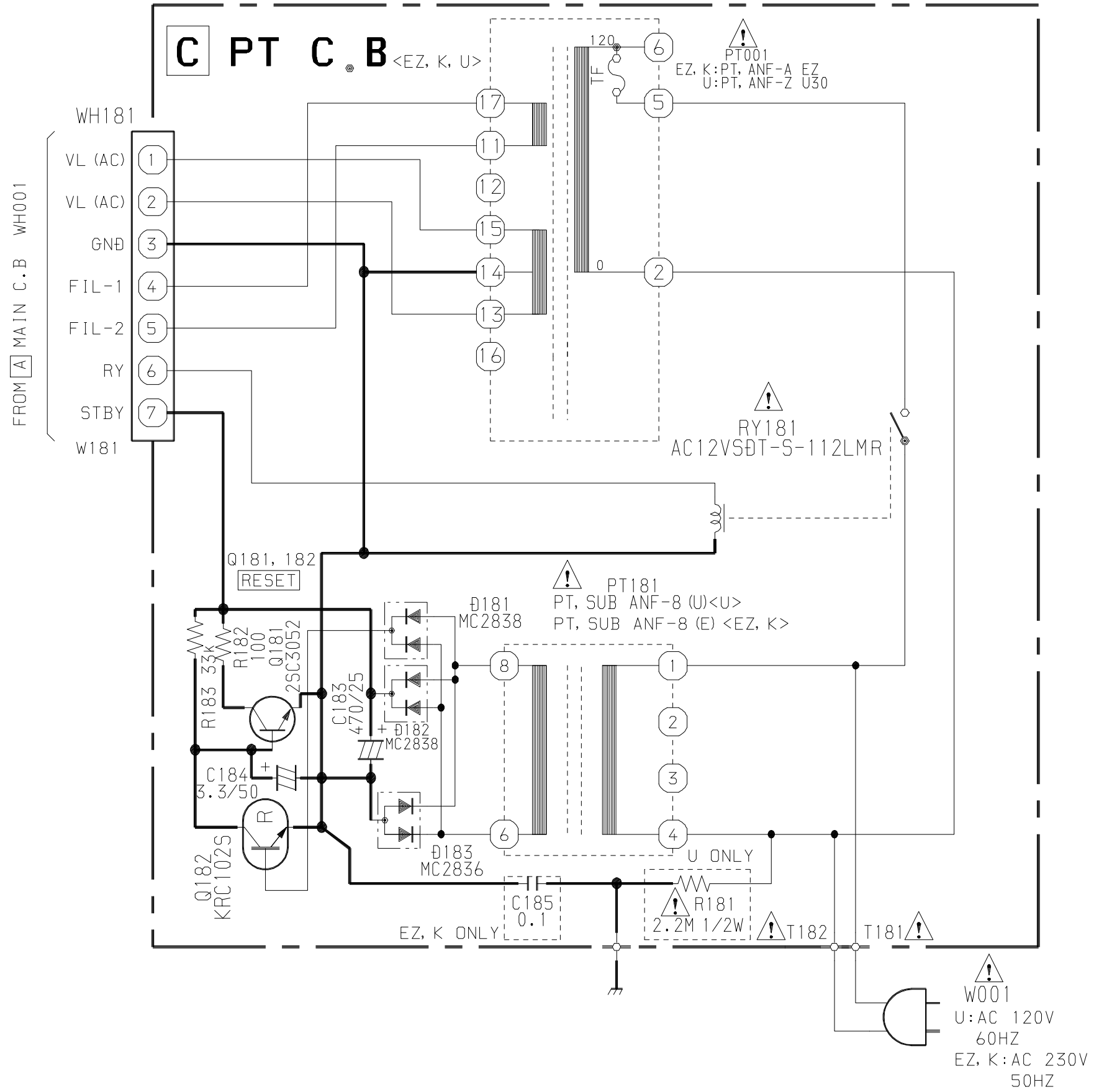
A
B
C
D
E
F
G
H
I
J
K
L
M
N
O
P
Q
R
S
T
U

C PT C.B <EZ, K, U>

U: AC 120V 60HZ  
 K: AC 230V 50HZ

U: WHT  
 EZ, K: BLU  
 U: BLK  
 EZ, K: BRN



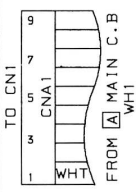
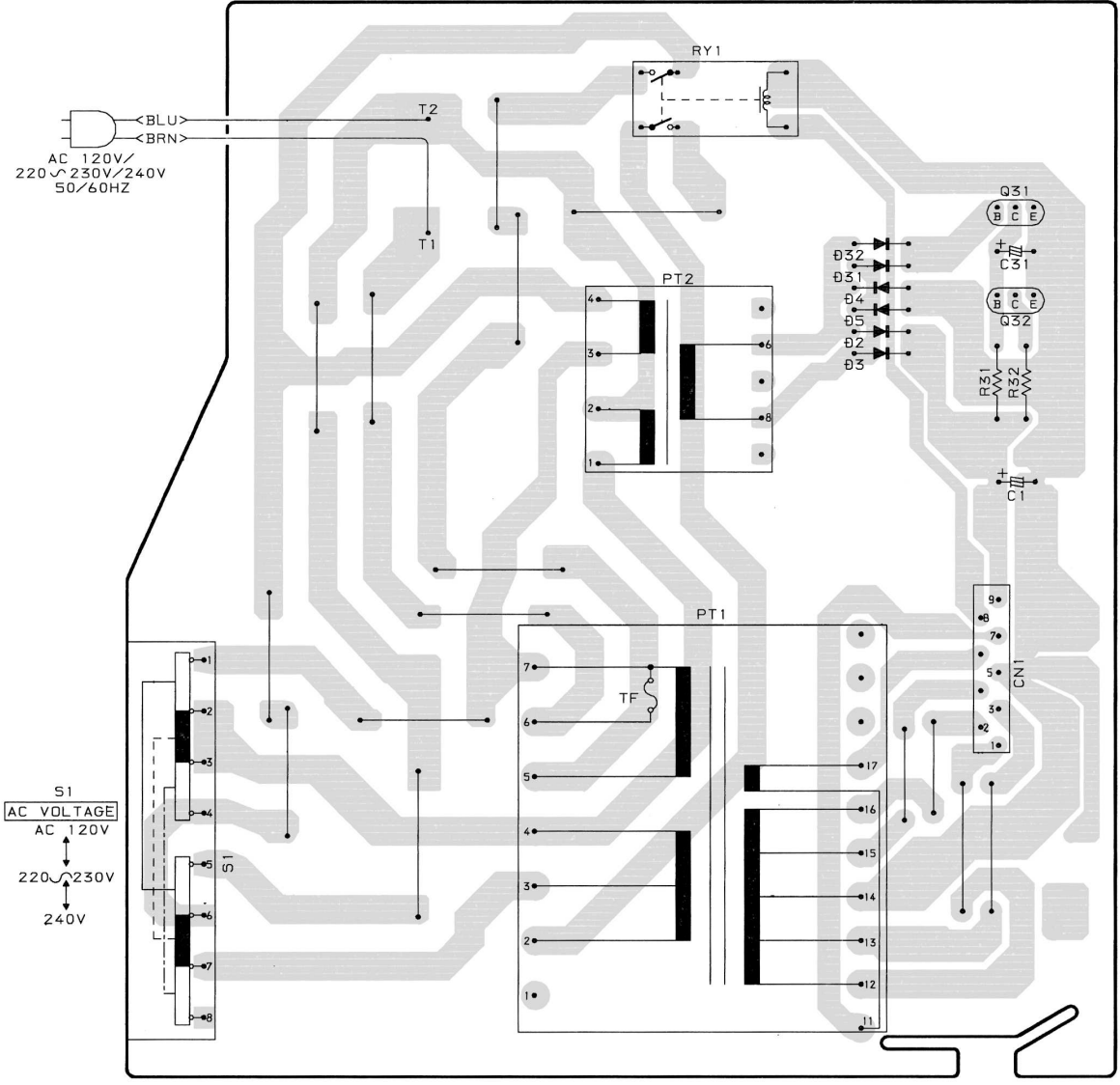


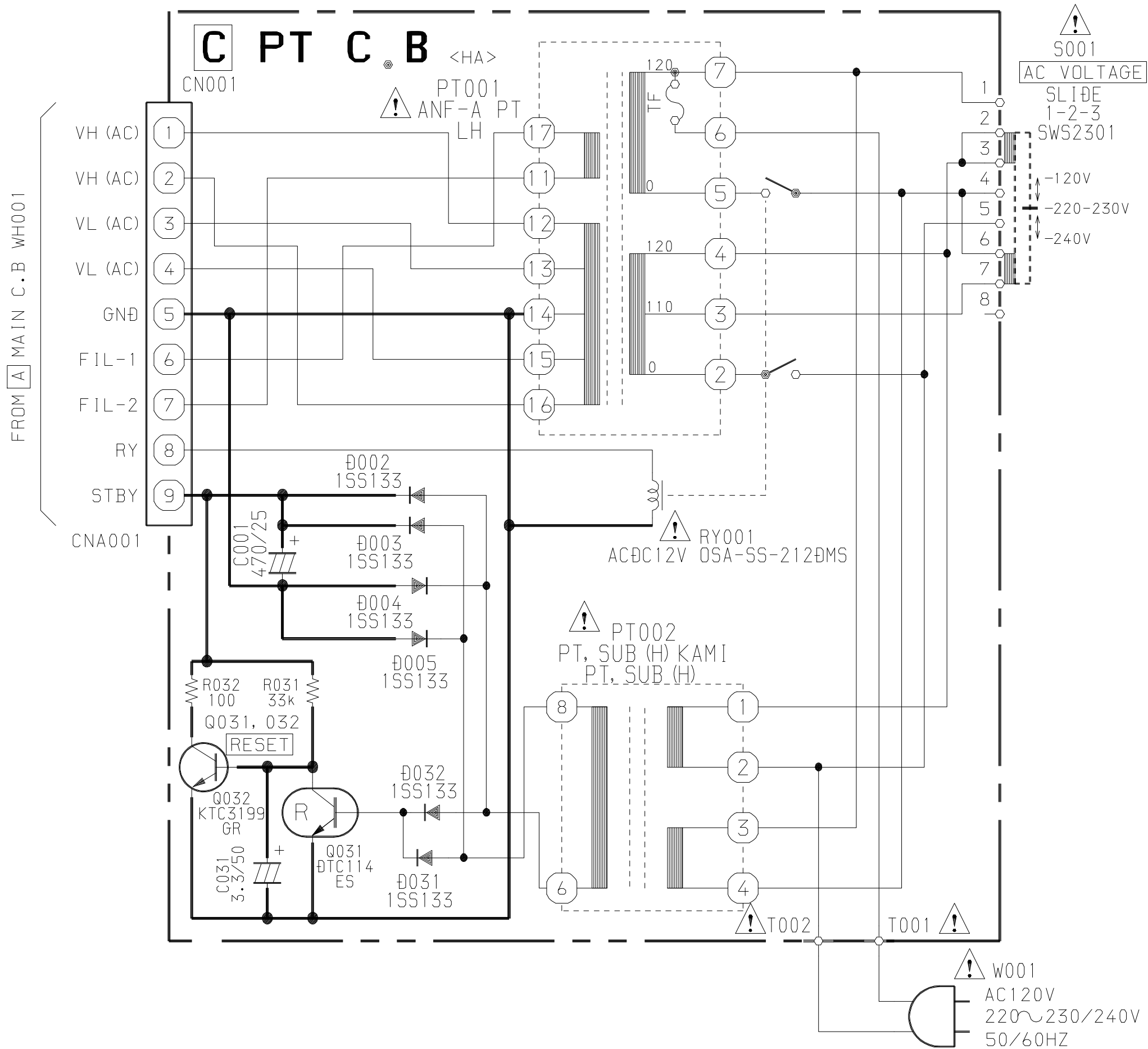
WIRING-8 (PT: HA)

15	14	13	12	11	10	9	8	7	6	5	4	3	2	1
----	----	----	----	----	----	---	---	---	---	---	---	---	---	---

A
B
C
D
E
F
G
H
I
J
K
L
M
N
O
P
Q
R
S
T
U

**C** PT C.B <HA>



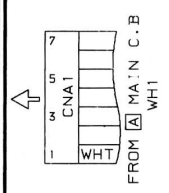
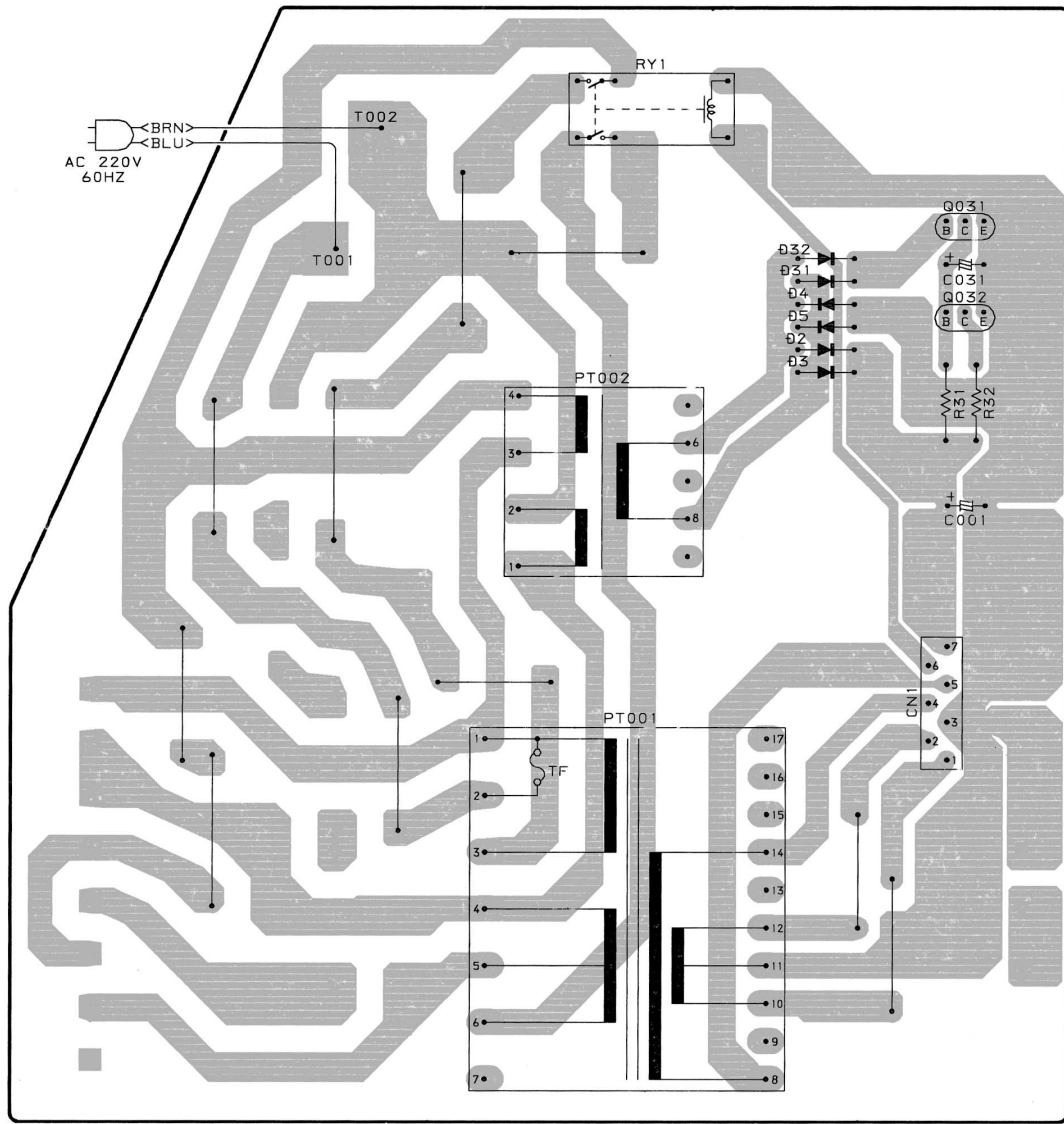


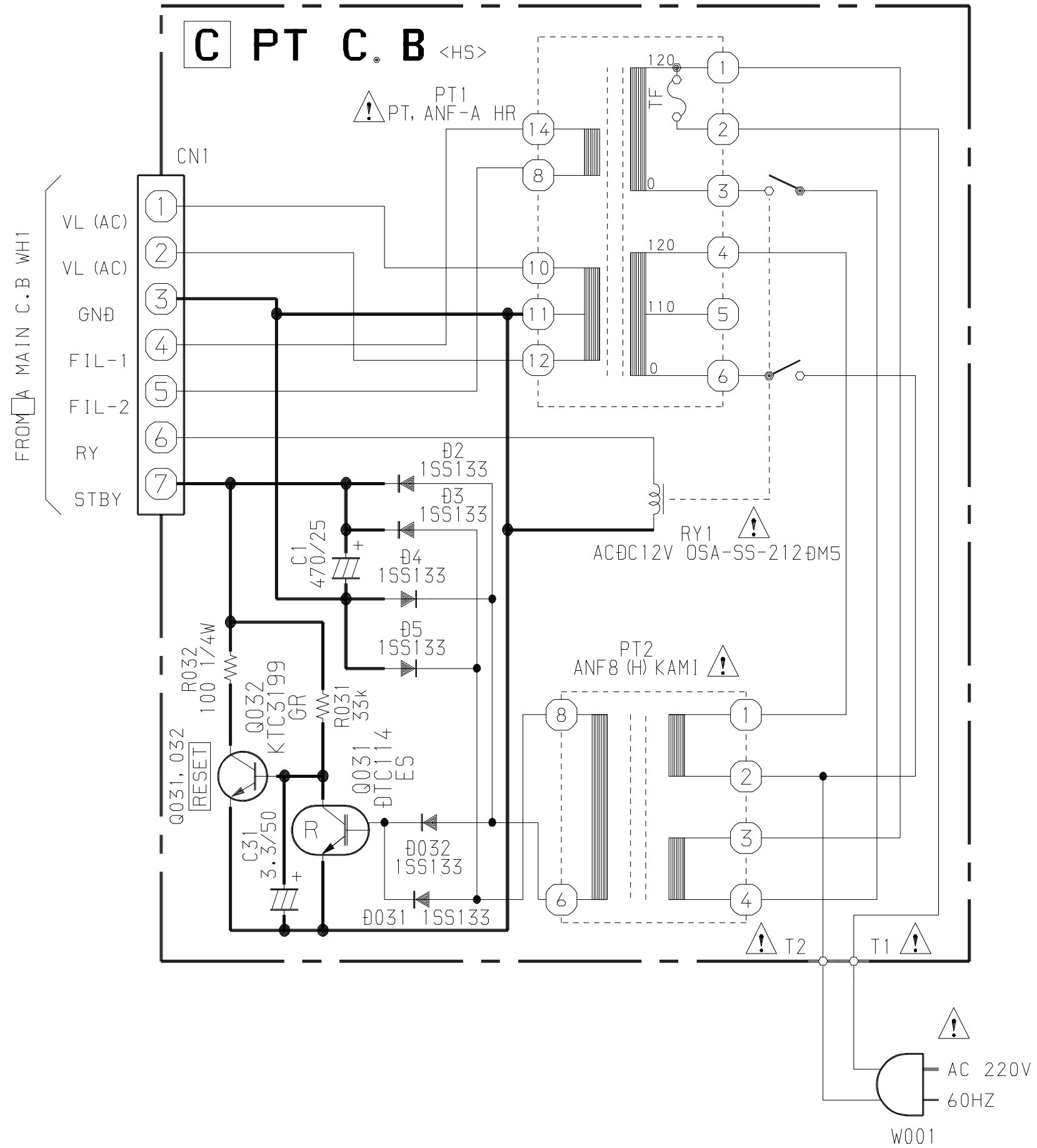
WIRING-9 (PT: HS)

15	14	13	12	11	10	9	8	7	6	5	4	3	2	1
----	----	----	----	----	----	---	---	---	---	---	---	---	---	---

A
B
C
D
E
F
G
H
I
J
K
L
M
N
O
P
Q
R
S
T
U

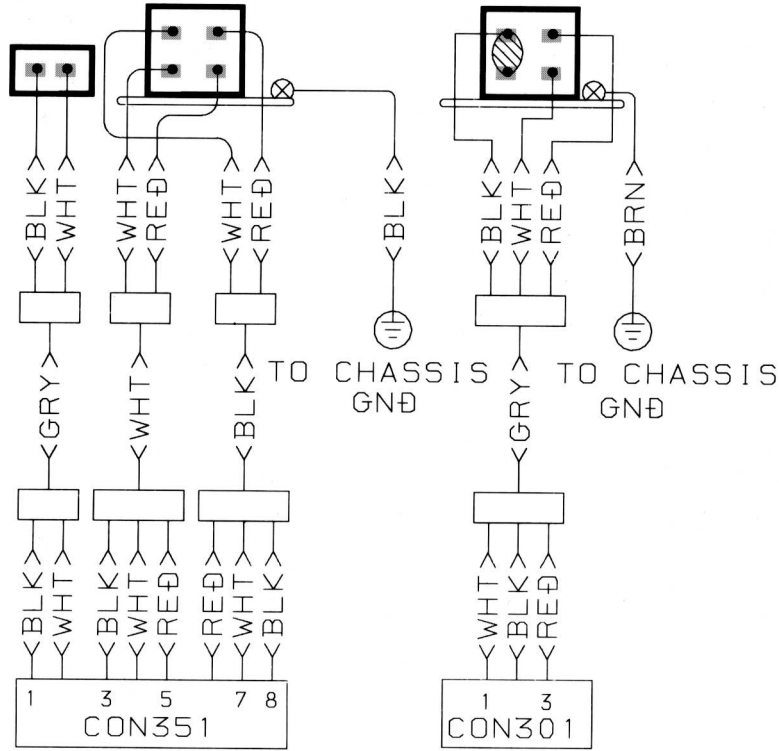
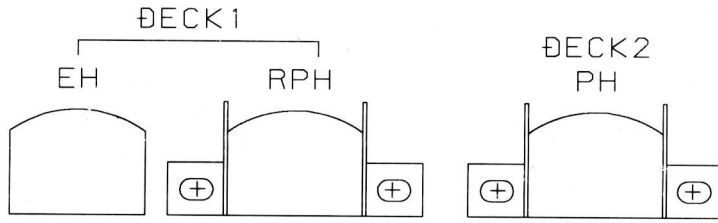
**C** PT C. B <HS>





WIRING-10 (DECK)

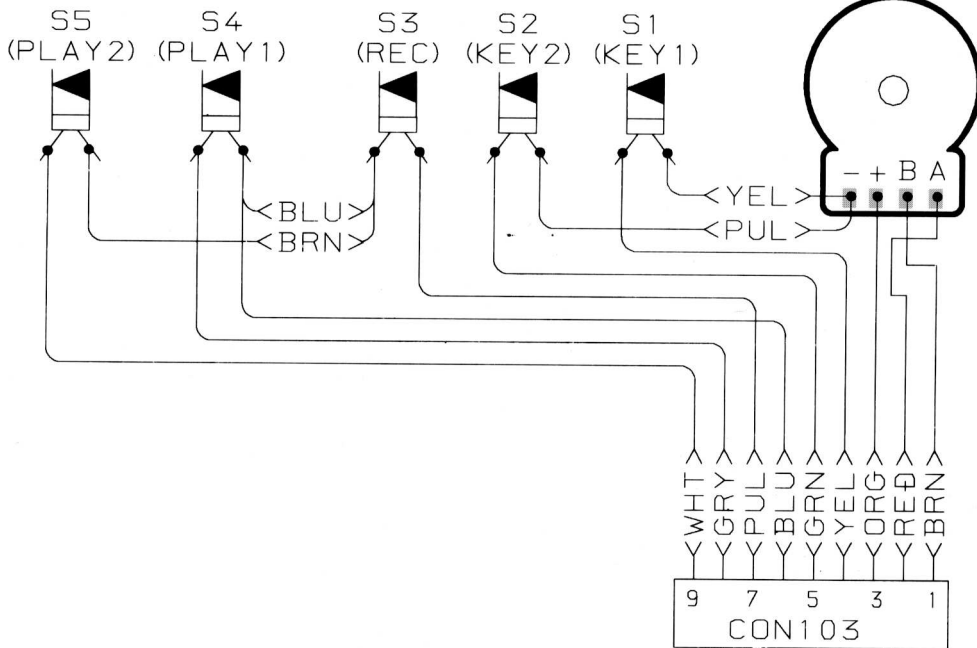
15	14	13	12	11	10	9	8	7	6	5	4	3	2	1
----	----	----	----	----	----	---	---	---	---	---	---	---	---	---



FROM [A] MAIN C.B.  
CN351

FROM [A] MAIN C.B.  
CN301

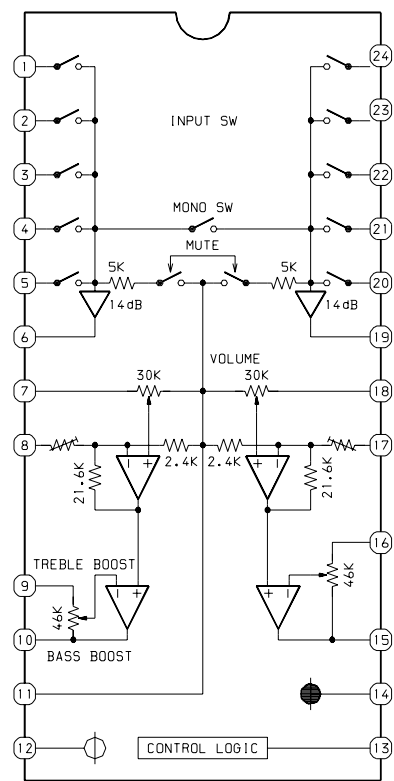
M1  
(DECK MOTOR)



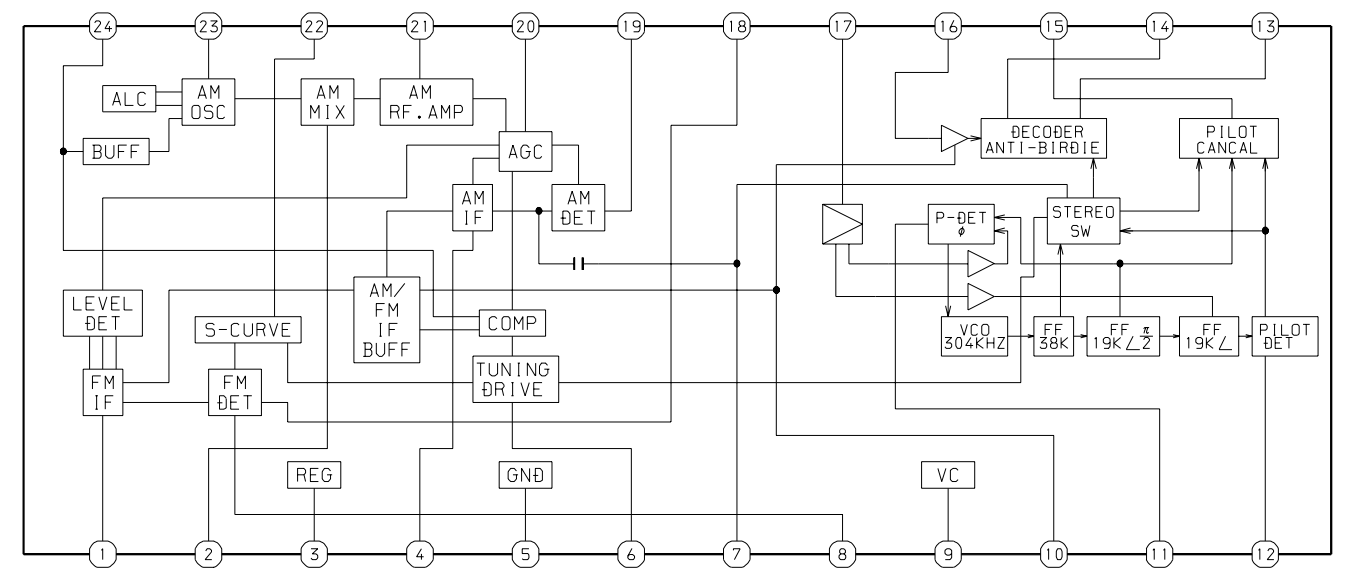
FROM [B] FRONT C.B.  
CN701

A  
B  
C  
D  
E  
F  
G  
H  
I  
J  
K  
L  
M  
N  
O  
P  
Q  
R  
S  
T  
U

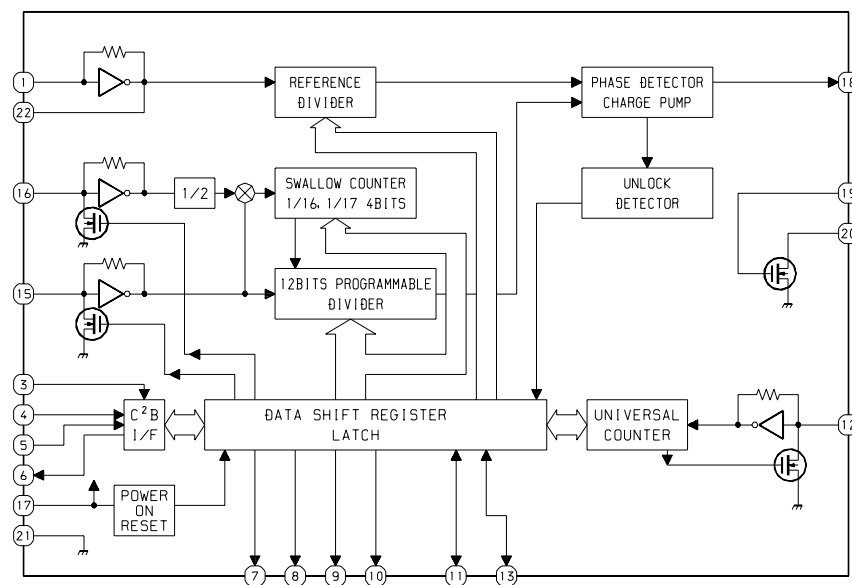
IC BLOCK DIAGRAM  
IC,M62495AFP



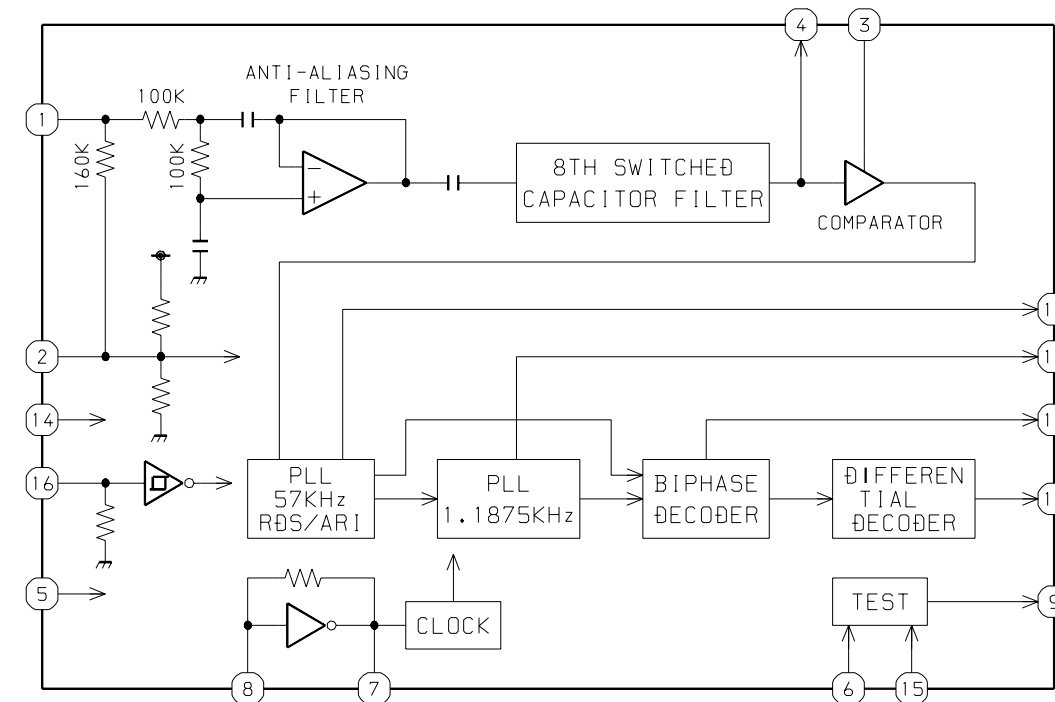
IC,LA1843 / IC,LA1844L-A



IC,LC72131D



IC,BU1920FS





## IC DESCRIPTION

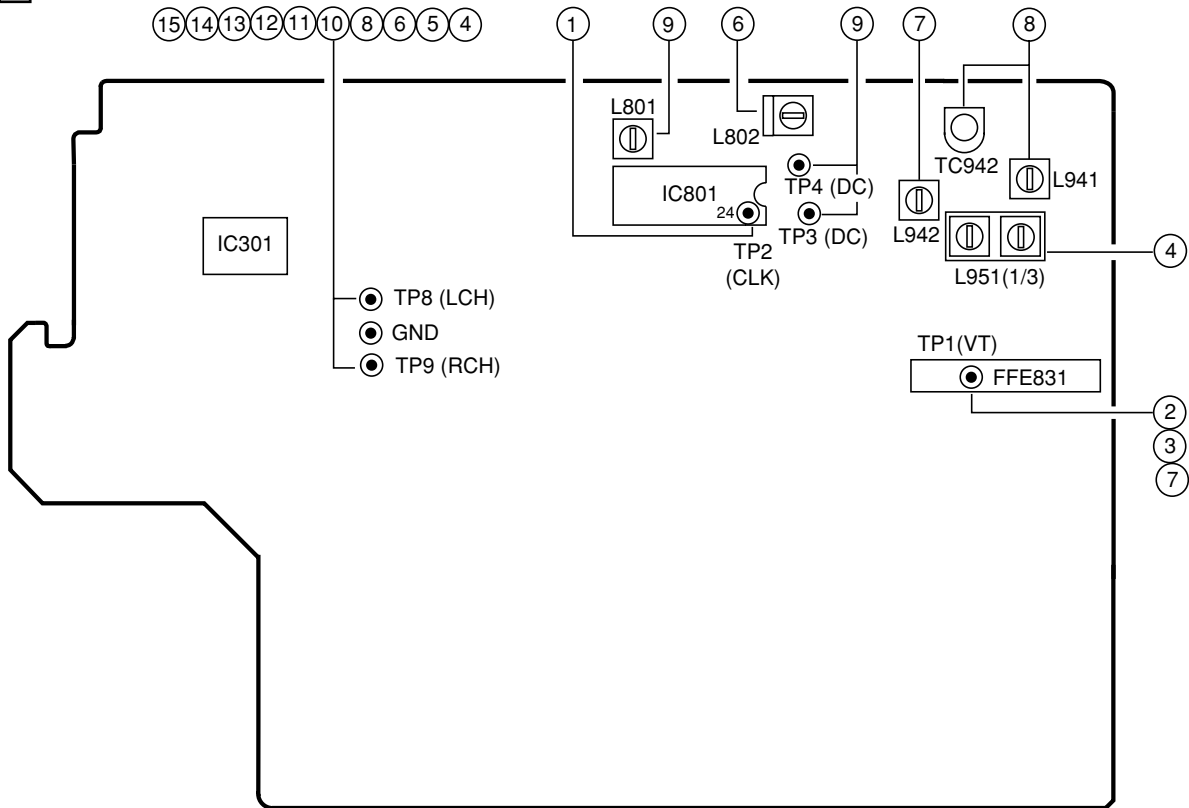
IC, M38B57MCH-E236FP / M38B59MFH-E251FP

Pin No.	Pin Name	I/O	Description
1	I-SIG	I	RDS signal level A/D input. (Not used)
2	I-HOLD	I	Hold voltage level A/D input.
3	I-SW (CD)	I	CD mecha SW A/D input.
4	I-DISH	I	CD turn-table position check A/D input.
5	I-KEY2	I	KEY2 A/D input.
6	I-KEY1	I	KEY1 A/D input.
7	I-RDS-DATA/ (O-DSP_DATA)	I/O	RDS data input / DSP IC data (V-CD) output. (Not used)
8	O-MOTOR	O	Deck motor supply ON/OFF output.
9	I-RMC	I	System remote control signal input. ("L"=ACTIVE)
10	RESET	I	System reset input. ("L"=RESET)
11	I-STEREO	I	Tuner stereo input. ("L"=STEREO)
12	O-DSC/O-PLL_DATA	O	Function IC control & PLL data output.
13	VSS	-	GND.
14,15	XIN, XOUT	I/O	4.19MHz system CLK input / output.
16	VCC	-	Power supply input.
17	O-PB1	O	Deck 1/2 switch output. ("L"=PLAYBACK DECK 1)
18	O-STBY	O	Standby LED ON/OFF output. ("L"=ON)
19	O-RMT	O	REC mute output. ("H"=MUTE)
20	O-BIAS	O	Record bias ON/OFF output. ("L"=ON)
21	O-TU_ON	O	Tuner supply ON/OFF output. ("H"=ON)
22	O-CD_ON	O	CD supply ON/OFF output. ("H"= ON)
23	O-C.SHIFT	O	MICON clock shift output. ("L"=SHIFT)
24	O-PLL-CLK	O	PLL IC CLK output.
25	I-TM_BASE	I	8 Hz time base input.
26	O-CLOSE	O	CD door close output.
27	O-CD-OPEN	O	CD door open output.
28	VEE	-	Power supply input for FL display.
29	O-STB(DSP)	O	DSP IC strobe output. (Not used)
30	K-SCAN	O	Initial key scan output.
31	O-PLL_CE	O	CD PLL IC chip enable output.
32	O-CD_LED	O	CD flash window LED output.
33~42	G10~G1	O	FL grid output (G10~G1).
43	P22	O	FL segment output (P22). (Not used)
44~58	P21~P7	O	FL segment output (P21~P7).
59	PHONO/P6	I/O	PHONO diode input / FL segment output (P6).
60	CASINO DEMO/P5	I/O	CASINO DEMO diode input (Not used) / FL segment output (P5).
61	NON-ECO/P4	I/O	ECO OFF diode input / FL segment output (P4).
62	I-TU3/P3	I/O	TU 3 diode input (Not used) / FL segment output (P3).
63	I-TU2/P2	I/O	TU 2 diode input (Not used) / FL segment output (P2).
64	I-TU1/P1	I/O	TU 1 diode input (Not used) / FL segment output (P1).

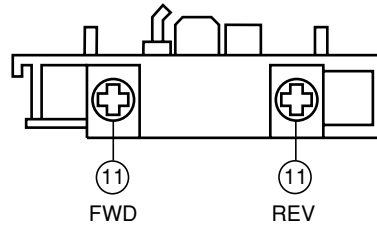
Pin No.	Pin Name	I/O	Description
65	O-DISH_R	O	CD turn-table reverse turn output.
66	O-DISH_F	O	CD turn-table forward turn output.
67	I-SUBQ	I	Sub code-Q data input.
68	O-CD_CE	O	CD DSP chip enable output.
69	I-WRQ	I	CD WRQ input.
70	O-CLK (CD)	O	CD control clock output .
71	O-DATA (CD)	O	CD control data output.
72	I-TUNE/IFC	I	Tuner SD input / IF count input.
73	AVSS	-	GND.
74	VREF	-	Reference voltage.
75	I-DRF	I	CD DRF input.
76	I-RDS_CLK	I	RDS clock input. (Not used)
77	I-LEVEL	I	Connected to GND through a resistor.
78	O-POWER	O	SYSTEM Power ON/OFF output. ("H"=ON)
79	I-RE_VOL	I	Rotary encoder A/D input.
80	I-TP_SW	I	Deck mecha SW A/D input.

ADJUSTMENT <TUNER / DECK>

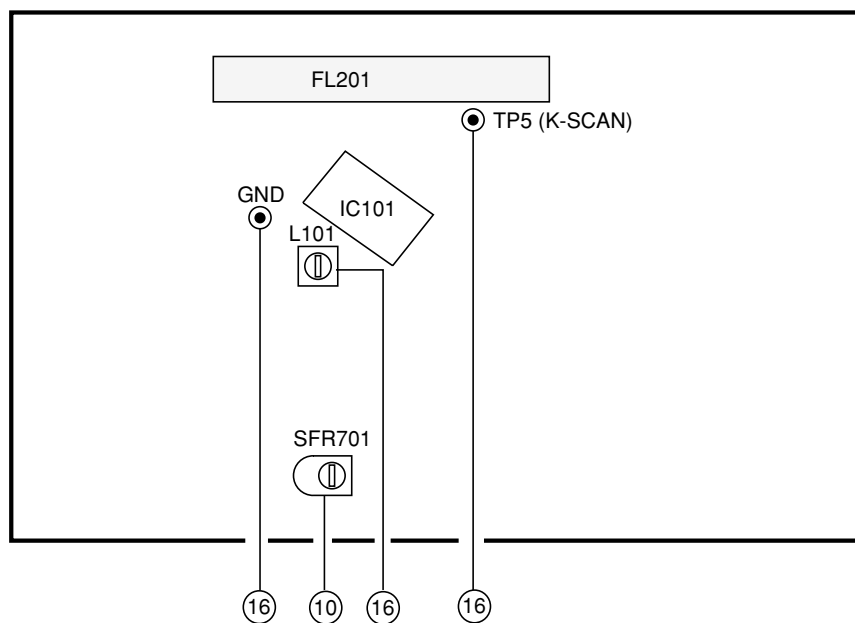
**A** MAIN C.B



DECK-1 R/P/E, DECK-2 P HEAD



**B** FRONT C.B



< TUNER SECTION >

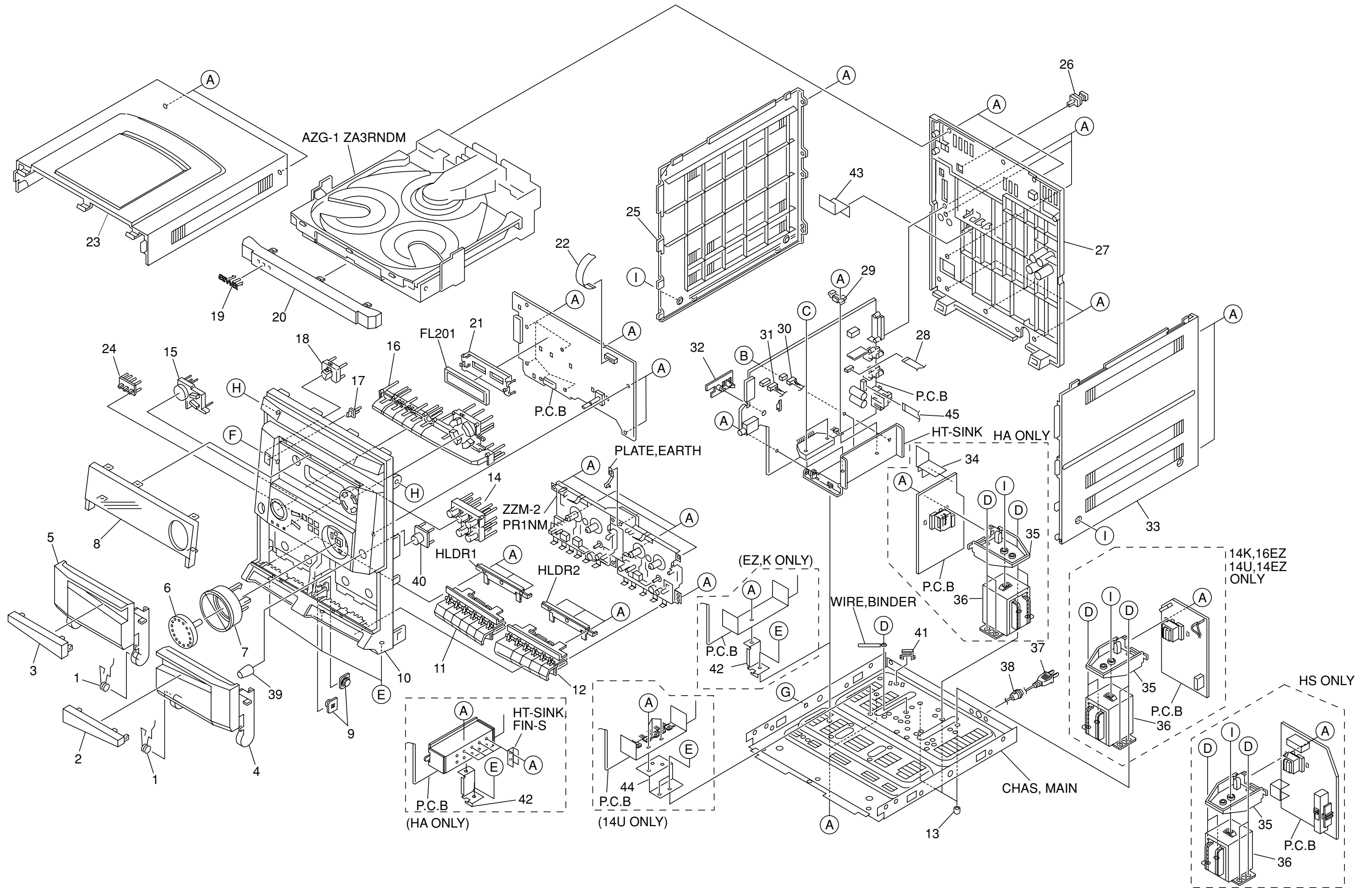
1. Clock frequency Check  
Settings : • Test point : TP2 (CLK)  
Method : Set to AM 1710kHz(U, HA), MW 1602kHz(HS,EZ,K) and check that the test point is 2160kHz  $\pm$  0.045kHz(U, HA), 2052kHz  $\pm$  0.045kHz(HS,EZ,K).
2. AM(MW) VT Check  
Settings : • Test point : TP1 (VT)  
Method : Set to AM 1710kHz(U,HA), MW 1602kHz(EZ,K,HS) and check that the test point is less than 8.5V(U,HA), less than 8.0V (EZ,K,HS).  
Then set to 530kHz(U,HA), 531kHz(EZ,K,HS) and check that the test point is more than 0.6V.
3. FM VT Check  
Settings : • Test point : TP1 (VT)  
Method : Set to FM 87.5MHz, 108.0MHz and check that the test point is more than 0.5V (87.5MHz) and less than 8.0V (108.0MHz).
4. AM(MW) Tracking Adjustment  
Settings : • Test point : TP8(Lch), TP9(Rch)  
• Adjustment location :  
L951 (1/3) ..... 1000kHz  
Method : Set to AM(MW) 999kHz and adjust L951 (1/3) to MAX.
5. FM Tracking Check  
Settings : • Test point : TP8(Lch), TP9(Rch)  
Method : Set to FM 98.0MHz and check that the test point is less than 9dB $\mu$ V(U,HA,HS), less than 13dB $\mu$ V(EZ,K).
6. AM(MW) IF Adjustment  
Settings : • Test point : TP8(Lch), TP9(Rch)  
• Adjustment location :  
L802 ..... 450kHz
7. LW VT Adjustment<EZ,K>  
Settings : • Test point : TP1(VT)  
• Adjustment location : L942  
Method : Set to LW 144kHz and adjust L942 so that the test point becomes 1.3V  $\pm$  0.05V.  
Then set to LW 290kHz and check that the test point is less than 8.0V.
8. LW Tracking Adjustment<EZ,K>  
Settings : • Test point : TP8(Lch), TP9(Rch)  
• Adjustment location :  
L941 ..... 144kHz  
TC942 ..... 290kHz  
Method : Set up TC942 to center before adjustment. The level at 144kHz is adjusted to MAX by L941. Then the level at 290kHz is adjusted to MAX by TC942.
9. DC Balance / Mono Distortion Adjustment  
Settings : • Test point : TP3, TP4 (DC Balance)  
• Adjustment location : L801  
• Input level : 60dB $\mu$ V  
Method : Set to FM 98.0MHz and adjust L801 so that the voltage between TP3 and TP4 becomes 0V  $\pm$  400 mV with minimum distortion.

< DECK SECTION >

10. Tape Speed Adjustment (DECK 1)  
Settings : • Test tape : TTA-100  
• Test point : TP8(Lch), TP9(Rch)  
• Adjustment location : SFR701  
Method : Play back the test tape and adjust SFR701 so that the frequency counter reads 3000Hz  $\pm$  5Hz.
11. Head Azimuth Adjustment (DECK 1, DECK 2)  
Settings : • Test tape : TTA-330  
• Test point : TP8(Lch), TP9(Rch)  
• Adjustment location : Head azimuth adjustment screw  
Method : Play back (FWD) the 8kHz signal of the test tape and adjust screw so that the output becomes maximum.  
Next, perform on REV PLAY mode.
12. PB Frequency Response Check (DECK 1, DECK 2)  
Settings : • Test tape : TTA-330  
• Test point : TP8(Lch), TP9(Rch)  
Method : Play back the 315Hz and 8kHz signals of the test tape and check that the output ratio of the 8kHz signal with respect to that of the 315Hz signal is within 4dB.
13. PB Sensitivity Check (DECK 1, DECK 2)  
Settings : • Test tape : TTA-200  
• Test point : TP8(Lch), TP9(Rch)  
Method : Play back the test tape and check that the output level of the test point is 110mV  $\pm$  3.5dB.
14. REC/PB Frequency Response Check (DECK 1)  
Settings : • Test tape : TTA-602  
• Test point : TP8(Lch), TP9(Rch)  
• Input signal : 1kHz / 8kHz (LINE IN)  
Method : Apply a 1kHz signal and REC mode. Then adjust OSC attenuator so that the output level at the test points becomes -20VU. Record and play back the 1kHz and 8kHz signals and check that the output of the 8kHz signals is 0dB  $\pm$  5dB with respect to that of the 1kHz signal.
15. REC/PB Sensitivity Check (DECK 1)  
Settings : • Test tape : TTA-602  
• Test point : TP8(Lch), TP9(Rch)  
• Input signal : 1kHz (LINE IN)  
Method : Apply a 1kHz signal and REC mode. Then adjust OSC attenuator so that the output level at TP8, TP9 becomes 0VU. Record and play back the 1kHz signals and check that the output is -2dB  $\pm$  3.5dB.

< FRONT SECTION >

16. u-CON OSC Adjustment  
Settings : • Test point : TP5(K-SCAN)  
• Adjustment location : L101  
Method : Insert AC plug with pressing of TUNER function key and POWER key. Adjust L101 so that the frequency across the test point is 58.350Hz  $\pm$  0.02Hz.

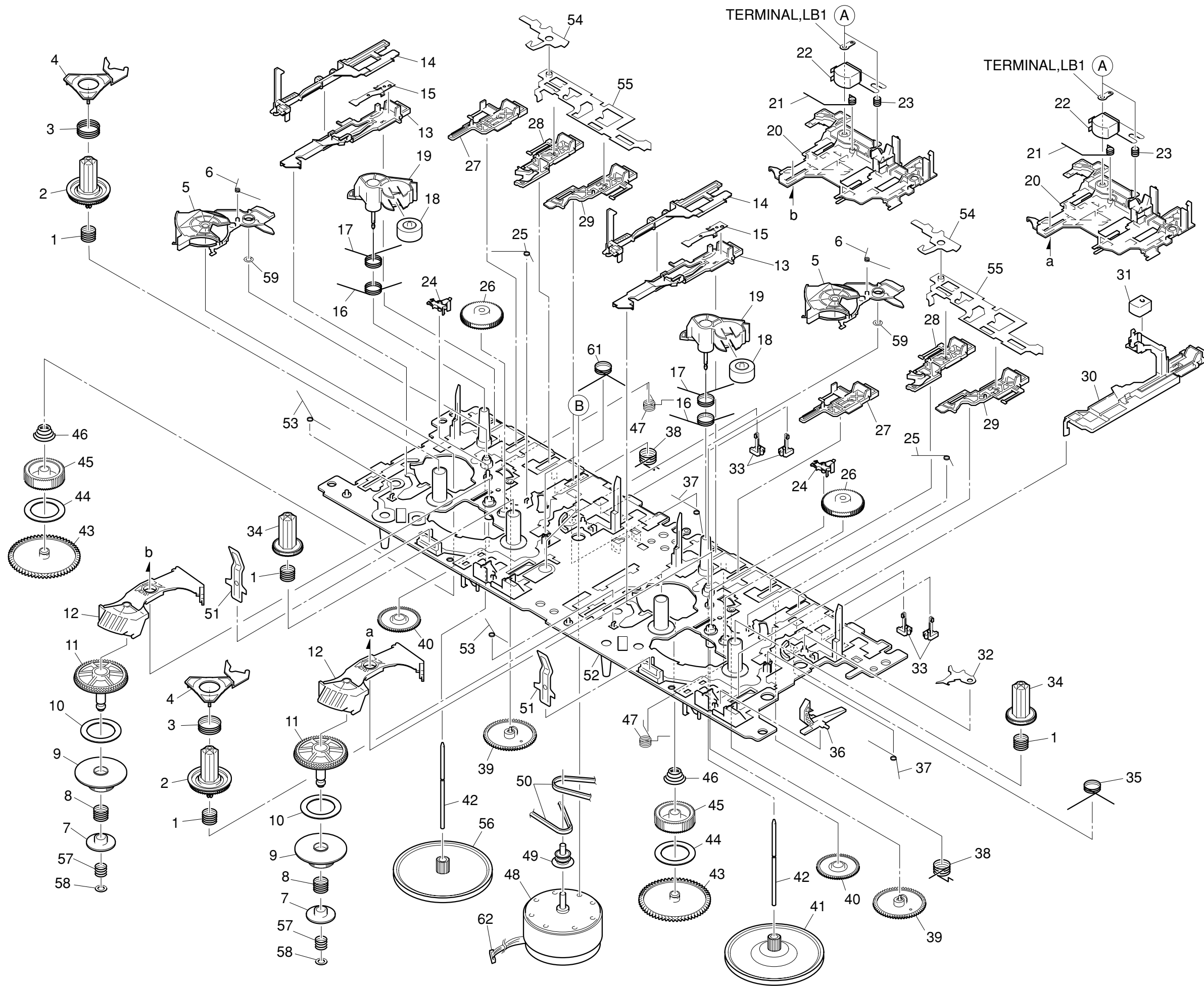


# MECHANICAL PARTS LIST 1 / 1

REF. NO.	PART NO.	KANRI NO.	DESCRIPTION	REF. NO.	PART NO.	KANRI NO.	DESCRIPTION
1	82-NF7-218-010		SPR-T, CASS	27	8A-NFZ-033-010		CABI, REAR USM AJ14<14U>
2	8A-NFZ-007-010		WINDOW, CASS 2	28	88-906-251-110		FF-CABLE, 6P 1.25
3	8A-NFZ-006-010		WINDOW, CASS 1	29	8A-NF8-205-010		HLDR, IC<14EHA>
4	8A-NFZ-004-010		BOX, CASS 2	30	8A-NFA-633-010		CONN ASSY, 3P (PH)
5	8A-NFZ-003-010		BOX, CASS 1	31	8A-NFA-634-010		CONN ASSY, 8P RPB
6	8A-NFZ-011-010		KNOB, RTRY VOL	32	8A-NFA-214-010		HLDR, PWB M ANFA
7	8A-NFZ-012-010		RING, VOL	33	8A-NFA-065-010		PANEL, RIGHT V-2<14HS, 14EHA>
8	8A-NFZ-054-010		WINDOW, DISP EZ BL16<16EZ>	33	8A-NFA-067-010		PANEL, RIGHTV-2PL<EXCEPT 14HS, 14EHA>
8	8A-NFZ-051-010		WINDOW, DISPH<14HS, 14K, 14EZ>	34	8A-NFA-212-010		PLATE, PL LH<14EHA>
8	8A-NFZ-055-010		WINDOW, DISP HA BL14E<14EHA>	35	8A-NF9-211-010		HLDR, PWB PT HI
8	8A-NFZ-052-010		WINDOW, DISP U AJ14<14U>	△	36	8A-NFA-608-010	PT, ANF-A EZ<14K, 14EZ, 16EZ>
9	86-NFZ-231-010		DMPR, 70	△	36	8A-NFA-606-010	PT, ANF-A HR<14HS>
10	8A-NFZ-042-010		CABI, FR EZ<16EZ>	△	36	8A-NFA-609-010	PT, ANF-A LH<14EHA>
10	8A-NFZ-041-010		CABI, FR H<14HS>	△	36	8A-NFA-607-010	PT, ANF-A U<14U>
10	8A-NFZ-001-010		CABI, FR U<EXCEPT 14HS, 16EZ, 14U>	△	37	87-A80-105-010	AC CORD ASSY, AZ<14EHA>
10	8A-NFZ-043-010		CABI, FR U AJ14<14U>	△	37	87-A80-157-010	ACCORDASSY, EBLKCC<EXCEPT 14HS, 14EHA, 14U>
11	8A-NFZ-016-010		KEY, CASS 1	△	37	87-A80-155-010	AC CORD ASSY, HS TS<14HS>
12	8A-NFZ-017-010		KEY, CASS 2P	△	37	87-A80-110-010	AC CORD ASSY, U SPT-2W<14U>
13	8Z-NB8-240-010		COVER, PL<EXCEPT 14HS>		38	87-085-185-010	BUSHING, AC CORD (E)<EXCEPT 14U>
14	8A-NFZ-010-010		KEY, OPE		38	87-A91-422-010	BUSHING, AC CORD (U)<14U>
15	8A-NFZ-013-010		KEY, CD		39	8A-NFZ-020-010	KNOB, RTRY MIC BL<14HS>
16	8A-NFZ-009-010		KEY, FUN<EXCEPT 14U>		40	8A-NFZ-047-010	PLATE, MIC BL<14HS>
16	8A-NFZ-072-010		KEY, FUN AJ14<14U>		41	87-NF4-221-010	HLDR, CABLE<EXCEPT 14EHA>
17	8A-NFA-018-010		REFLECTOR, ECO		42	88-NF9-213-010	HLDR, PWB MAIN<EXCEPT 14EHA, 14U>
18	8A-NFZ-008-010		KEY, POWER<EXCEPT 14U>		43	8A-NFA-215-010	PLATE, PL HR<14HS>
18	8A-NFZ-071-010		KEY, POWER AJ14<14U>		44	8A-NFB-202-010	HLDR, HT-SINK S STEEL<14U>
19	87-CE3-023-010		BADGE, AIWA 30N SILV		45	85-NF5-628-010	F-CABLE 7P-2.5<14K, 14EZ, 16EZ, 14U>
20	8A-NFZ-002-010		PANEL, TRAY H<EXCEPT 14U>		A	87-067-703-010	TAPPING SCREW, BVT2+3-10
20	8A-NFZ-044-010		PANEL, TRAY U AJ14<14U>		B	87-NF4-224-010	S-SCREW, IT3B+3-8 CU
21	8A-NFA-208-010		GUIDE, FL 100-25 ANFA		C	87-067-581-010	TAPPING SCREW, BVT2+3-15<14EHA>
22	88-913-221-110		FF-CABLE, 13P 1.25 220MM		D	87-078-191-010	S-SCREW, IT+4-10
23	8A-NFA-062-010		PANEL, TOP V-2		E	87-067-688-010	BVTT+3-6
24	8A-NFZ-014-010		KEY, RDS<16EZ>		F	87-723-096-410	QT2+3-10W/O SLOT BL
25	8A-NFA-063-010		PANEL, LEFT V-2		G	87-721-096-410	QT2+3-10 GLD<14EHA>
26	84-ZG1-245-210		CAP, OPTICAL		H	87-721-097-410	QT2+3-12 GLD
27	8A-NFZ-024-010		CABI, REAR EZSM BL14<14EZ>		I	87-067-641-010	UTT2+3-8 (W/O SLOT) BL
27	8A-NFZ-025-010		CABI, REAR EZSM BL16<16EZ>				
27	8A-NFZ-030-010		CABI, REAR HS W/O SPEC<14HS>				
27	8A-NFZ-026-010		CABI, REAR KSM<14K>				
27	8A-NFA-030-010		CABI, REAR LH W/O SPEC<14EHA>				

## COLOR NAME TABLE

Basic color symbol	Color	Basic color symbol	Color	Basic color symbol	Color
B	Black	C	Cream	D	Orange
G	Green	H	Gray	L	Blue
LT	Transparent Blue	N	Gold	P	Pink
R	Red	S	Silver	ST	Titan Silver
T	Brown	V	Violet	W	White
WT	Transparent White	Y	Yellow	YT	Transparent Yellow
LM	Metallic Blue	LL	Light Blue	GT	Transparent Green
LD	Dark Blue	DT	Transparent Orange	GM	Metallic Green
YM	Metallic Yellow	DM	Metallic Orange		



# TAPE MECHANISM PARTS LIST 1 / 1

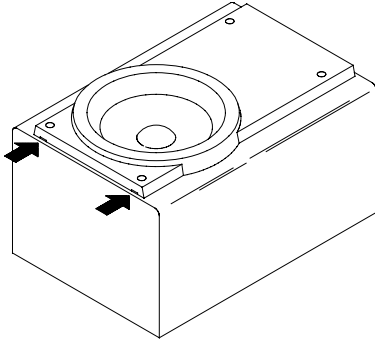
REF. NO.	PART NO.	KANRI NO.	DESCRIPTION	REF. NO.	PART NO.	KANRI NO.	DESCRIPTION
1	8Z-ZM1-254-210		SPR-C, REEL R	36	8Z-ZM1-220-110		LEVER, REC SENSOR
2	8Z-ZM1-225-110		GEAR, REEL R	37	8Z-ZM1-249-010		SPR-T, FR
3	8Z-ZM1-253-110		SPR-C, AUTO SENSOR	38	8Z-ZM1-242-110		SPR-T, FF/REW
4	8Z-ZM1-217-110		LEVER, AUTO SENSOR	39	8Z-ZM1-229-010		GEAR, CAM
5	8Z-ZM1-212-110		LEVER, T-UP	40	8Z-ZM1-232-010		GEAR, IDL FF/REW
6	8Z-ZM1-245-010		SPR-T, AUTO	41	8Z-ZM1-234-010		FLY-WHL, ZZM-1
7	8Z-ZM1-236-010		CLR, SLIP FF/REW	42	8Z-ZM1-267-010		SHAFT, CAPSTAN 2
8	8Z-ZM1-252-010		SPR-C, FF/REW	43	8Z-ZM1-228-010		GEAR, SLIP T-UP B
9	8Z-ZM1-230-010		GEAR, SLIP FF/REW A	44	8Z-ZM1-265-010		FELT, T-UP
10	8Z-ZM1-269-010		FELT, FF/REW 2	45	8Z-ZM1-227-010		GEAR, SLIP T-UP A
11	8Z-ZM1-238-110		GEAR, SLIP FF/REW B 2	46	8Z-ZM1-251-110		SPR-C, T-UP SLIP
12	8Z-ZM1-237-010		LEVER, FF/REW 2	47	8Z-ZM1-243-210		SPR-T, STOP/PAUSE
13	8Z-ZM1-209-210		LEVER, PAUSE	48	87-A91-532-010		MOT, MS15U2LW1A
14	8Z-ZM1-218-110		LEVER, E-LOCK H	49	8Z-ZM1-235-010		PULLEY, MOT
15	8Z-ZM1-256-010		SPR-P, PAUSE	50	8Z-ZM2-216-010		BELT, MAIN M
16	8Z-ZM1-244-010		SPR-T, T-UP	51	8Z-ZM1-260-010		SPR-P, CASSETTE
17	8Z-ZM1-247-210		SPR-T, PINCH	52	8Z-ZM2-201-010		CHAS ASSY, ZZM-2
18	8Z-ZM1-261-110		ROLLER ASSY, PINCH	53	8Z-ZM1-255-110		SPR-T, E-LOCK
19	8Z-ZM1-221-010		LEVER, PINCH	54	8Z-ZM2-219-010		LEVER, E-OPEN ZZM-2
20	8Z-ZM1-205-210		LEVER, PLAY	55	8Z-ZM1-214-110		LEVER, LOCK
21	8Z-ZM1-248-110		SPR-T, BRG	56	8Z-ZM2-211-010		FLY-WHL, ZZM-2
22	87-A90-403-110		HEAD, RPH MS15R	57	8Z-ZM1-257-110		SPR-C, F/R
23	84-ZM2-227-310		SPR-C, AZIMUTH	58	8Z-ZM1-275-010		W-L, 1.47-4-0.25
24	8Z-ZM1-216-010		LEVER, AUTO	59	80-ZM6-243-010		SH 1.75-3.6-0.5 SLT
25	8Z-ZM1-246-010		SPR-T, AUTO 2	60	87-A91-494-010		SW, LEAF MSW17820
26	8Z-ZM2-214-010		GEAR, IDL REW ZZM-2	61	8Z-ZM1-241-010		SPR-T, PLAY
27	8Z-ZM2-212-010		LEVER, STOP ZZM-2	62	8Z-ZM2-601-010		CONN ASSY, 9P ZZM-2
28	8Z-ZM1-207-010		LEVER, FF	A	84-ZM2-242-010		S-SCREW, AZ1-2-6.4
29	8Z-ZM1-206-010		LEVER, REW	B	8Z-ZM2-220-110		V+2.6 ZZM-2
30	8Z-ZM1-210-010		LEVER, REC				
31	87-A90-404-010		HEAD, EH LE15B				
32	8Z-ZM2-218-010		LEVER, REC LOCK ZZM-2				
33	87-A91-492-010		SW, LEAF MSW18560				
34	8Z-ZM1-226-010		GEAR, REEL L				
35	8Z-ZM1-241-010		SPR-T, PLAY				



# SPEAKER DISASSEMBLY INSTRUCTIONS

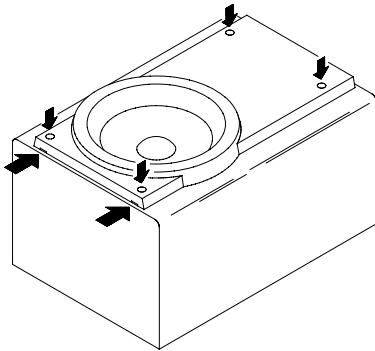
## Type.1

Insert a flat-bladed screwdriver into the position indicated by the arrows and remove the panel. Remove the screws of each speaker unit and then remove the speaker units.



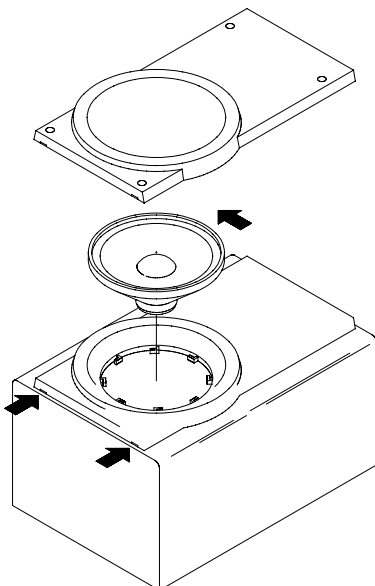
## Type.2

Remove the grill frame and four pieces of rubber caps by pulling out with a flat-bladed screwdriver. Remove the screws from hole where installed rubber caps. Insert a flat-bladed screwdriver into the position indicated by the arrows and remove the panel. Remove the screws of each speaker unit and then remove the speaker units.

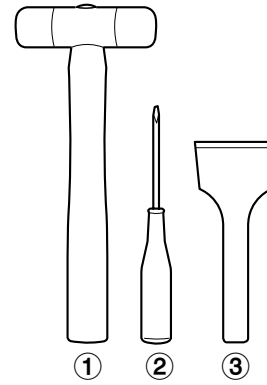


## Type.3

Insert a flat-bladed screwdriver into the position indicated by the arrows and remove the panel. Turn the speaker unit to counter-clockwise direction while inserting a flat-bladed screwdriver into one of the hollows around speaker unit, and then remove the speaker unit. After replacing the speaker unit, install it turning to clockwise direction until "click" sound comes out.



## Type.4



### TOOLS

- ① Plastic head hammer
- ② (⊖) flat head screwdriver
- ③ Cut chisel

### How to Remove the PANEL, FR

1. Insert the (⊖) flat head screwdriver tip into the gap between the PANEL, FR and the PANEL, SPKR. Tap the head of the (⊖) flat head screwdriver with the plastic hammer head, and create the clearance as shown in Fig-1.
2. Insert the cut chisel in the clearance, and tap the head of the cut chisel with plastic hammer as shown in Fig-2, to remove the PANEL, FR.
3. Place the speaker horizontally. Tap head of the cut chisel with plastic hammer as shown in Fig-3, and remove the PANEL, FR completely.

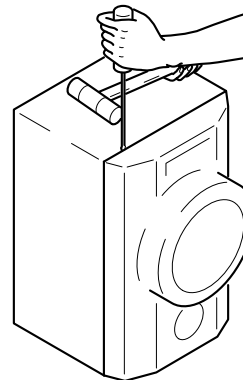


Fig-1

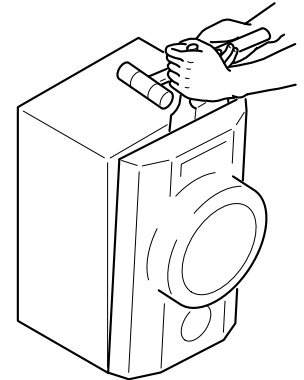


Fig-2

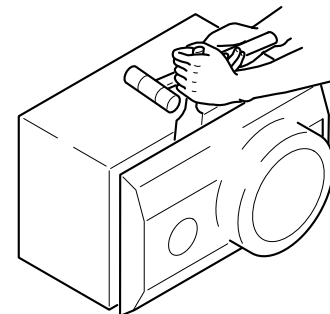


Fig-3

### How to Attach the PANEL, FR

Attach the PANEL, FR to the PANEL, SPKR. Tap the four corners of the PANEL, FR with the plastic hammer to fit the PANEL, FR into the PANEL, SPKR completely.

## SPEAKER PARTS LIST

SX-NBL11(Y1SL,YSC9,YSC,YSL) / SX-NBL16(YSC9,YSC)

SX-NBL17(YLSC9,YLSC) / SX-NAJ11(YUSL)

REF. NO.	PART NO.	KANRI NO.	DESCRIPTION
1	8A-NSB-001-010		PANEL, FR
2	8A-NSB-014-010		GRILLE, FRAME ASSY R<16YSC>
2	8A-NSB-003-010		GRILLE, FRAME ASSY<EXCEPT 16YSC>
3	8Z-NSL-601-110		SPKR, W120<YSC9>
3	8Z-NSL-603-010		SPKR, W 120<YSC9>
3	8A-NSL-602-010		SPKR, 120<YLSC9, YLSC>
3	8A-NSL-606-010		SPKR, W120<11YSC, 16YSC, YSL, YUSL, Y1SL>
4	87-NS7-611-010		CORD, SPKR

## ACCESSORIES / PACKAGE LIST

REF. NO.	PART NO.	KANRI NO.	DESCRIPTION
1	8A-NFZ-906-110		IB, EZ (9L) M -BL14<14EZ>
1	8A-NFZ-916-010		IB, EZ (9L) M -BL16 (RDS) <16EZ>
1	8A-NFZ-905-010		IB, K (E) M -BL14<14K>
1	8A-NFZ-902-010		IB, LH (ESP) M -BL14<HA>
1	8A-NFZ-923-010		IB, U (ESF) M -AJ14<U>
2	8Z-NF9-701-210		RC UNIT, ZAS02
3	87-043-115-010		ANT, FEEDER FM<HS, HA, U>
3	87-A90-118-010		ANT, WIRE FM (Z) <14K, 14EZ, 16EZ>
4	87-006-225-010		AM LOOP ANT NC2

**アイワ株式会社** 〒110-8710 東京都台東区池之端1-2-11 ☎03(3827)3111 (代表)  
**AIWA CO.,LTD.** 2-11, IKENOHATA 1-CHOME, TAITO-KU, TOKYO 110, JAPAN TEL:03 (3827) 3111