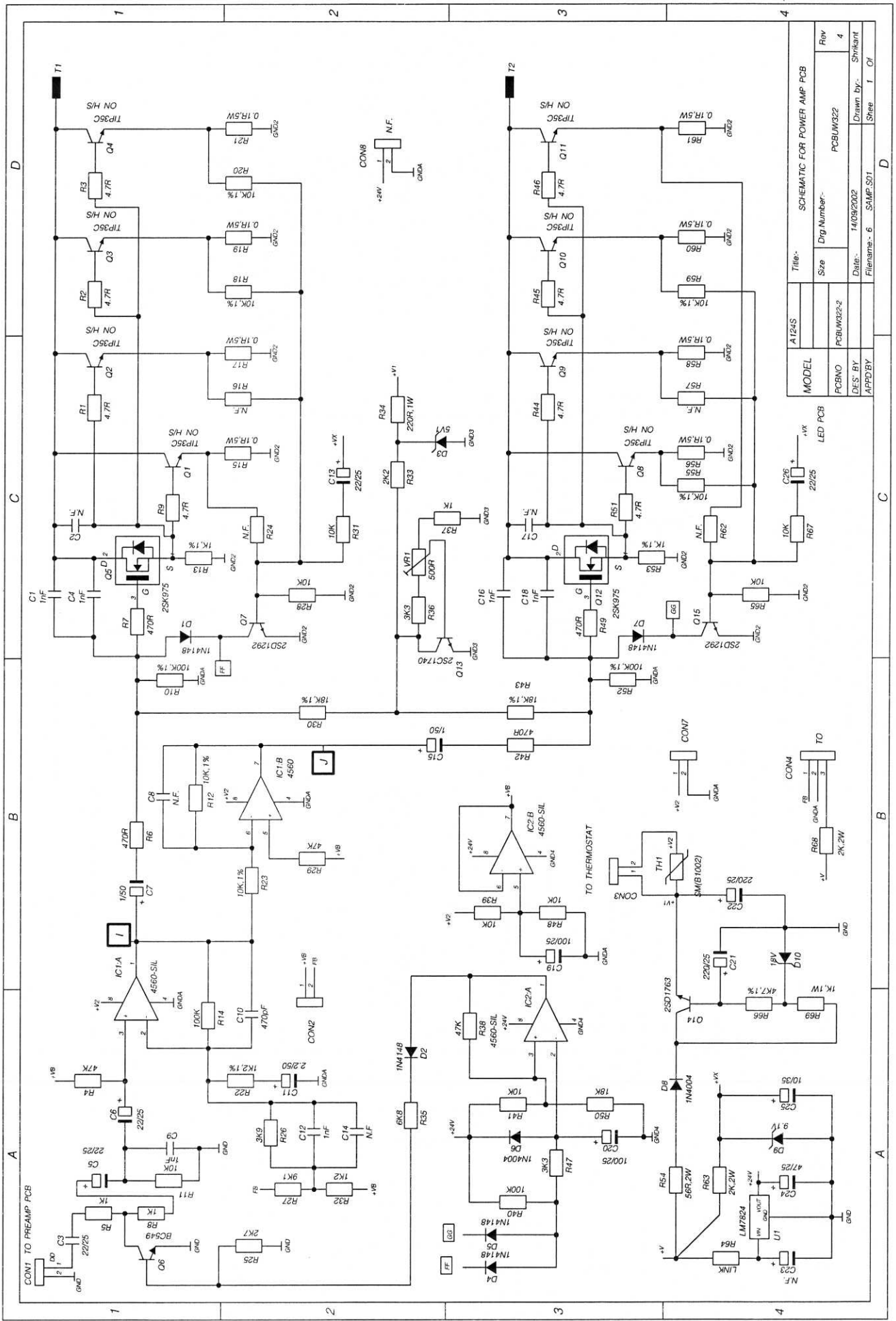
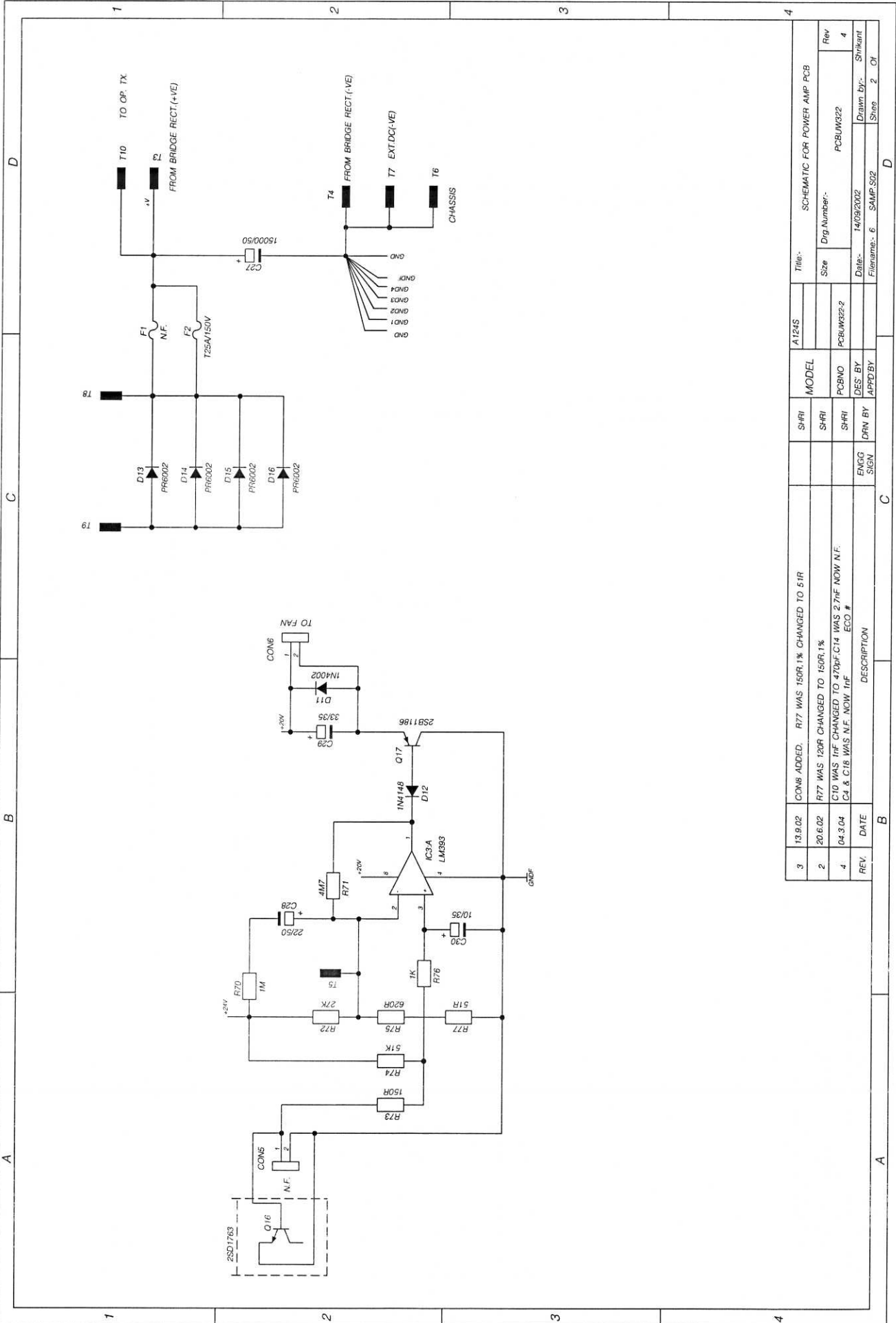


952.993

NEW VERSION

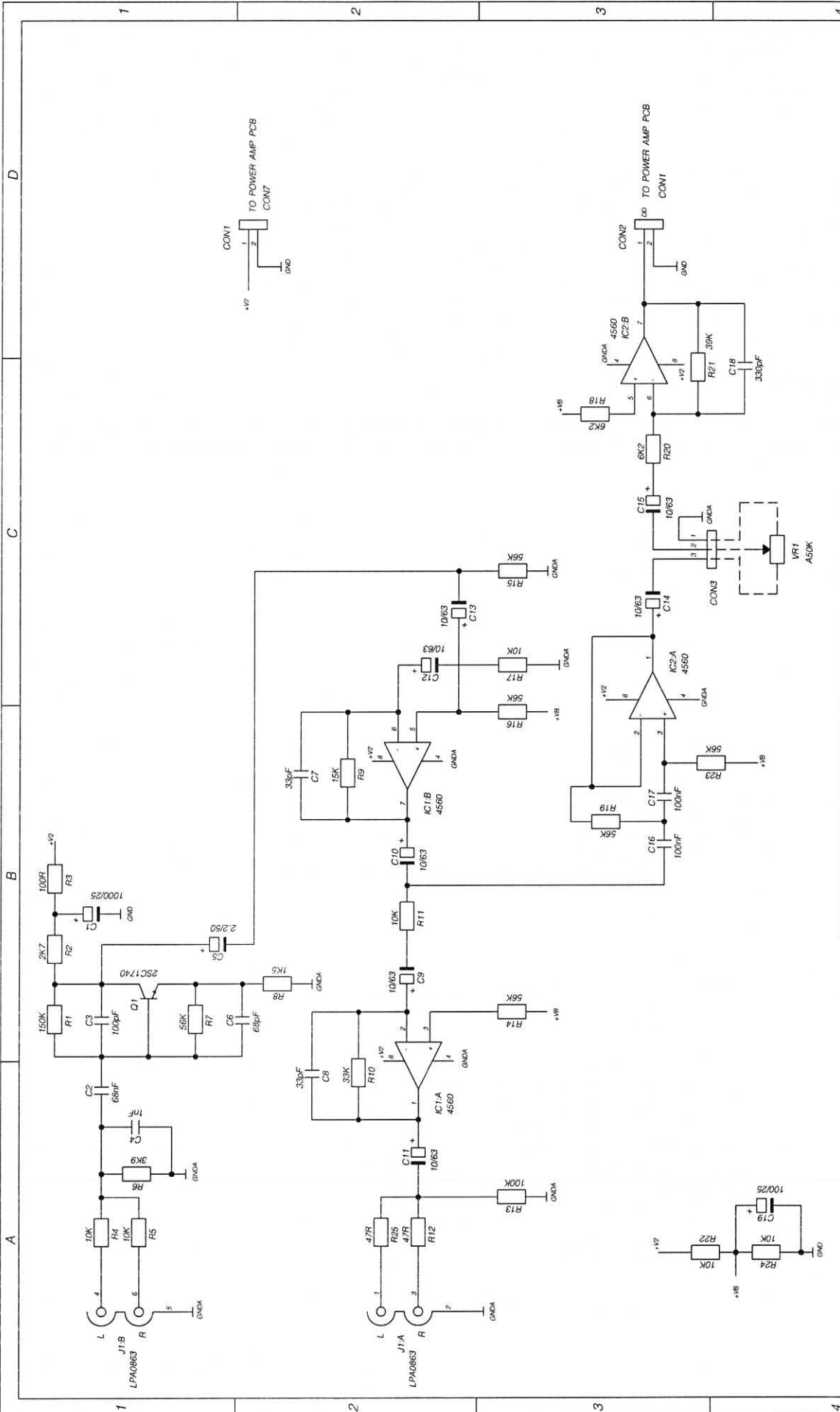
8-9-04





REV.	DATE	DESCRIPTION
3	13.9.02	COMB6 ADDED. R77 WAS 150R.1% CHANGED TO 51R
2	20.6.02	R77 WAS 120R CHANGED TO 150R.1%
4	04.3.04	C10 WAS 1µF CHANGED TO 470µF.C14 WAS 2.7µF NOW N.F. C4 & C16 WAS N.F. NOW 1µF ECO #
REV.	DATE	DESCRIPTION

SHRI	MODEL	Title:-
SHRI	PCBNO	SCHMATIC FOR POWER AMP PCB
SHRI	DES BY	Size
APPD BY	APPD BY	PCB Number:-
ENG SIGN	ENG SIGN	PCBNO
		Date:-
		File name:-
		Sheet
		Of



REV.	DATE	DESCRIPTION
3	04.3.04	C18 WAS 68pF CHANGED TO 330pF
2	14.9.02	R18 WAS 56K CHANGED TO 6K2
1	20.6.02	C1 WAS 100/25 CHANGED TO 100/25 R3 WAS 100R/20 WAS 56K CHANGED TO 6K2

SHRI	MODEL	Title:- SCHEMATIC FOR PRE AMP PCB	
SHRI	PCBANK	Site	Rev
SHRI	PCBANK	14/09/2002	3
DRN BY	APPROBY	Date:-	Drawn By:- Shikant
ENGG SIGN	APPBY	Filename:- 5 SPREAMP S01	Sheet 1 Of

SHRI	MODEL	Title:- SCHEMATIC FOR PRE AMP PCB	
SHRI	PCBANK	Site	Rev
SHRI	PCBANK	14/09/2002	3
DRN BY	APPROBY	Date:-	Drawn By:- Shikant
ENGG SIGN	APPBY	Filename:- 5 SPREAMP S01	Sheet 1 Of