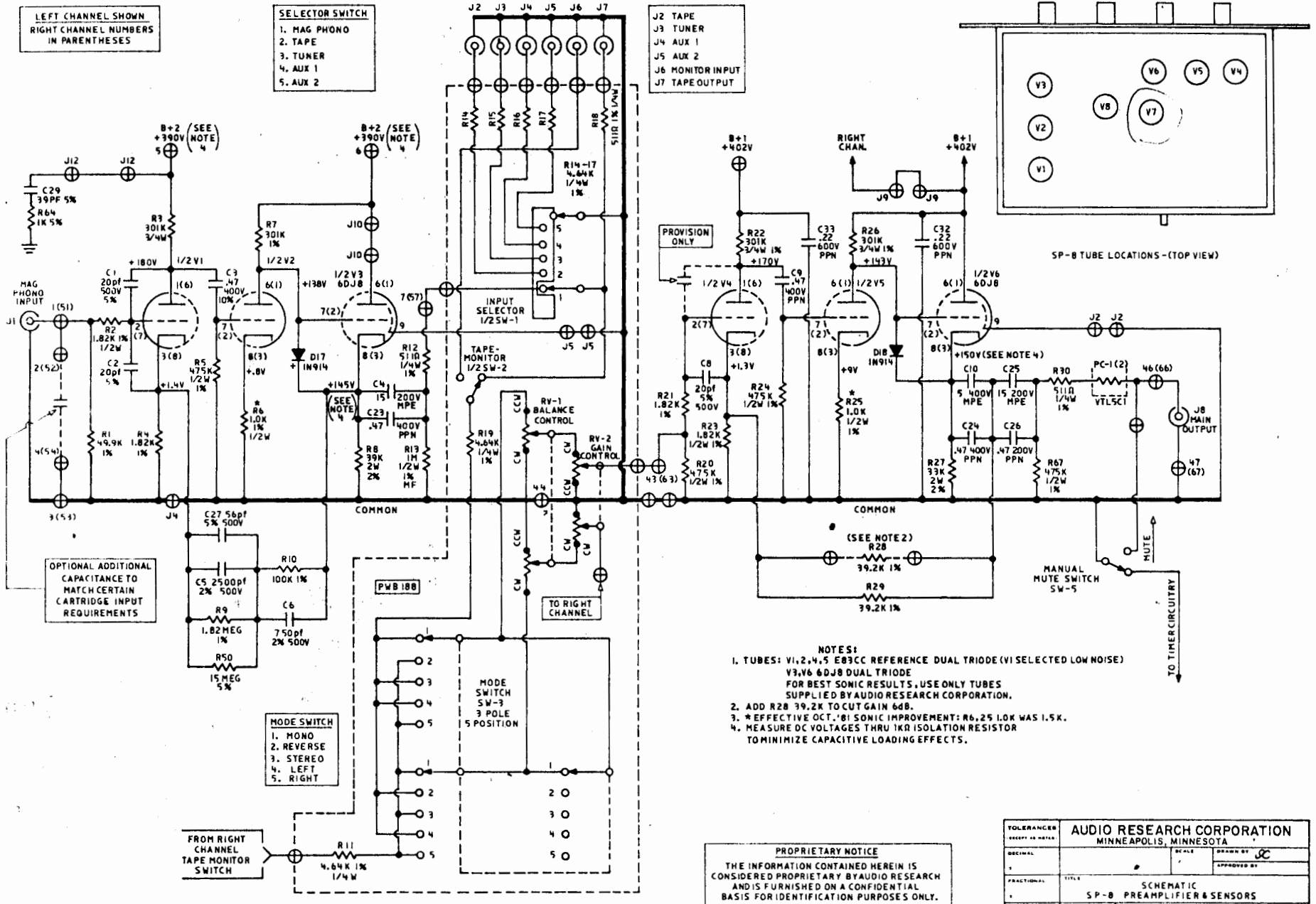


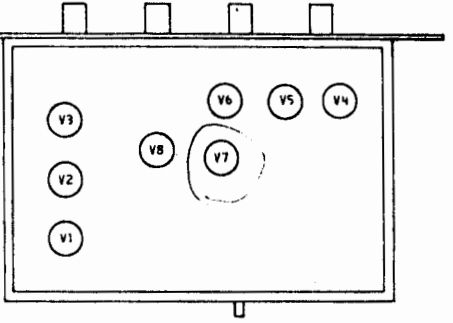
LEFT CHANNEL SHOWN
RIGHT CHANNEL NUMBERS
IN PARENTHESES

SELECTOR SWITCH
1. MAG PHONO
2. TAPE
3. TUNER
4. AUX 1
5. AUX 2

J2 TAPE
J3 TUNER
J4 AUX 1
J5 AUX 2
J6 MONITOR INPUT
J7 TAPE OUTPUT



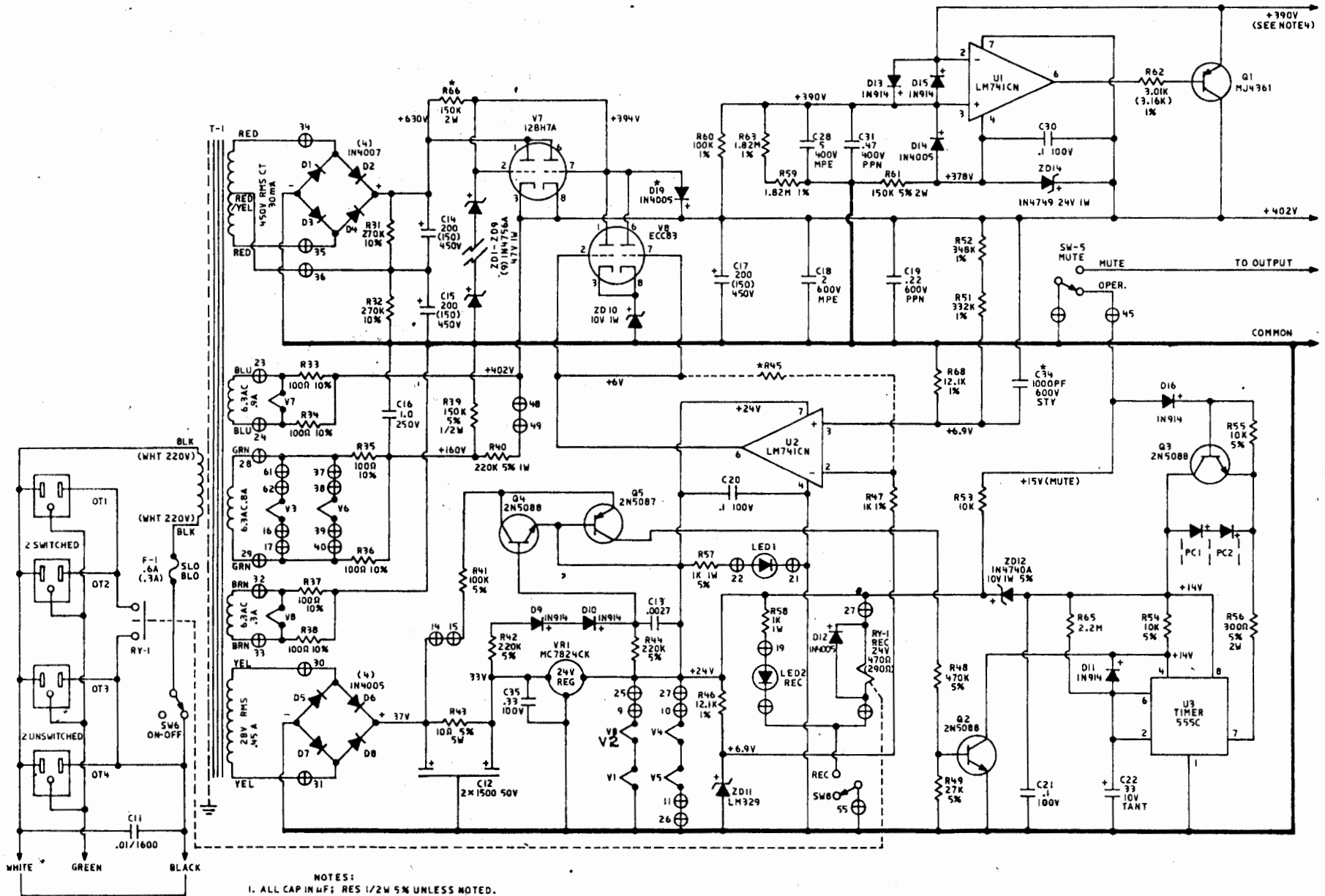
SP-8 TUBE LOCATIONS - (TOP VIEW)



- NOTES:
1. TUBES: V1, 2, 4, 5 E83CC REFERENCE DUAL TRIODE (V1 SELECTED LOW NOISE)
V3, V6 6DJ8 DUAL TRIODE
FOR BEST SONIC RESULTS, USE ONLY TUBES SUPPLIED BY AUDIO RESEARCH CORPORATION.
 2. ADD R28 39.2K TO CUT GAIN 6dB.
 3. * EFFECTIVE OCT. '81 SONIC IMPROVEMENT: R6, 25.10K WAS 1.5K.
 4. MEASURE DC VOLTAGES THRU 1KΩ ISOLATION RESISTOR TO MINIMIZE CAPACITIVE LOADING EFFECTS.

PROPRIETARY NOTICE
THE INFORMATION CONTAINED HEREIN IS CONSIDERED PROPRIETARY BY AUDIO RESEARCH AND IS FURNISHED ON A CONFIDENTIAL BASIS FOR IDENTIFICATION PURPOSES ONLY.

TOLERANCES UNLESS OTHERWISE SPECIFIED		AUDIO RESEARCH CORPORATION MINNEAPOLIS, MINNESOTA	
DECIMAL	SCALE	DRAWN BY	APPROVED BY
FRACTIONAL	TITLE	SCHEMATIC	
ANGULAR	DATE	SP-8 PREAMPLIFIER & SENSORS	
	DRAWING NUMBER	910079-10 A	



- NOTES:
1. ALL CAP IN μ F; RES 1/2W 5% UNLESS NOTED.
 2. USE CAUTION WHEN SERVICING HIGH VOLTAGE COMPONENTS. CONTACT WITH STORED ENERGY EVEN WITH POWER OFF COULD BE LETHAL.
 3. ALL VOLTAGES AT 120VAC 60Hz LINE.
 4. MEASURE DC VOLTAGES THRU 1K Ω ISOLATION RESISTOR TO MINIMIZE CAPACITIVE LOADING EFFECTS.
 5. * EFFECTIVE OCT.'81 SONIC AND RELIABILITY IMPROVEMENT: ADDED C34 AND D19, R66 2W WAS 1/2W, R45 DELETED WAS 100K. LITZ WIRE ADDED.

PROPRIETARY NOTICE
 THE INFORMATION CONTAINED HEREIN IS CONSIDERED PROPRIETARY BY AUDIO RESEARCH AND IS FURNISHED ON A CONFIDENTIAL BASIS FOR IDENTIFICATION PURPOSES ONLY.

TOLERANCES UNLESS SHOWN OTHERWISE		AUDIO RESEARCH CORPORATION MINNEAPOLIS, MINNESOTA	
DECIMAL	SCALE	DRAWN BY	APPROVED BY
FRACTIONAL	TITLE	SCHEMATIC SP-8 POWER SUPPLY	
ANGULAR	DATE	DRAWING NUMBER	
	7-1-81		910078-10 A

105-125VAC (210-250VAC)
 60Hz
 60W MAX

SP-8 PARTS LIST

SP-8 PARTS LIST

COMPONENT	QUAN.	DESCRIPTION	VALUE	RATING	TOL.	ARC PART NO.	COMPONENT	QUAN.	DESCRIPTION	VALUE	RATING	TOL.	ARC PART NO.
V1,2,4,5	4	E83CC Reference				32001000	R49	1	Carbon	27K	1/4W	5%	41270402
V3,6	2	6DJ8				32001100	R50	2	Carbon	15Meg	1/2W	5%	41150703
V7	1	12BH7A				32001200	R51	1	Metal Film	332K	1/2W	1%	42332503
V8	1	ECC83/12AX7A				32000100	R52	1	Metal Film	348K	1/2W	1%	42348503
D1-4	4	IN4007(IN4006)	1A	1000V		30501000	R53,54,55	3	Carbon	10K	1/4W	5%	41100402
D5-8,12,14,19	7	IN4005	1A	600V		30500400	R56	1	Wirewound (M. Film)	300Ω	2W	5%	43300200
D9-11,13,15-18	10	IN914		100V		30500900	R57,58	2	Carbon	1K	1W	5%	41100304
ZD1-9	9	IN4756A Zener		47V	1W	30503200	R61,66	2	Carbon	150K	2W	5%	41150505
ZD10,12	2	IN4740A Zener		10V	1W	30500300	R62	1	Metal Film	150K	1/2W	1%	42150503
ZD11	1	LM329DZ Zener Ref.		6.9V		31000700	R64	1	Metal Film	3.01K	1/2W	1%	42301303
ZD14	1	IN4749 Zener		24V	1W	30502500	R65	1	Carbon	1K	1/4W	5%	41100302
LED 1,2	2	LED Green				34300100	R65	1	Carbon	2.2Meg	1/4W	5%	41220602
Q1	1	MJ4361 Transistor				30004400	C1,2,8	6	Dipped Mica	20pF	500V	5%	57200100
Q2,3,4	3	2N5088 Transistor				30003100	C3,9	4	Polypropylene	.47μF	400V	20%	53470506
Q5	1	2N5087 Transistor				30003000	C4,25	4	Polyester	15μF	200V	20%	53150700
RV1	1	Balance Control	100K	LinTaper	10%	45100525	C5	2	Dipped Mica	2500pF	500V	2%	57250301
RV2	1	Gain Control	100K	LogTaper	10%	45100523	C6	2	Dipped Mica	750pF	500V	2%	57750201
VR1	1	MC7824CK	24V	1A		31001200	C10,28	3	Polyester	5μF	400V	10%	53500602
U1,U2	1	LM741CN				31000400	C11	1	Polyester	.01μF	1600V	10%	53100403
U3	1	LM555CN Timer				31000800	C12	1	Electrolytic	2x1500μF	50V		50150900
PC1,2	2	VTL5C1 Photo Coupler		100V		34400100	C13	1	Polyester	.0027μF	200V	10%	53270301
R1	2	Metal Film	49.9K	1/2W	1%	42499403	C14,15,17	3	Electrolytic	(150)200μF	450V		50200801
R2,4,21,23	8	Metal Film	1.82K	1/2W	1%	42182303	C16	1	Polypropylene	1.0μF	250V	20%	53100606
R3,7,22,26	8	Metal Film	301K	3/4W	1%	42301504	C18	1	Polyester	2μF	600V	10%	53200600
R5,20,24,67	8	Metal Film	475K	1/2W	1%	42475503	C19,32,33	3	Polypropylene	.22μF	600V	10%	53220505
R6,25	4	Metal Film	1.0K	1/2W	1%	42100303	C20,21,30	3	Ceramic Monolythic	.1μF	100V	10%	52100500
R8	2	Metal Film	1.5K	1/2W	1%	42150303	C22	1	Dipped Tantalum	33μF	10V	10%	51330700
R9,59,63	4	Metal Film	39K	2W	2%	46390401	C23,24,31	5	Polypropylene	.47μF	400V	20%	53470505
R10,60	3	Metal Film	1.82Meg	1/2W	1%	42182603	C26	2	Polypropylene	.47μF	200V	20%	53470507
R11,14-17,19	10	Metal Film	100K	1/2W	1%	42100503	C27	2	Dipped Mica	56pF	500V	5%	57560100
R12,18,30	6	Metal Film	4.64K	1/4W	1%	42464302	C29	1	Dipped Mica	39pF	500V	5%	57390100
R13	2	Metal Film	511Ω	1/4W	1%	42511202	C34	1	Polystyrene	1000pF	600V	5%	53100301
R27	2	Metal Film	1.0Meg	1/2W	1%	42100603	C35	1	Ceramic Monolythic	.33μF	100V	20%	52330500
R29(R28)	2	Metal Film	33K	2W	2%	46330401	F1	1	Sto-Blo 120V	0.6A	250V		34500220
R31,32	2	Carbon	39.2K	1/2W	1%	42392403			220V	0.3A	250V		34500120
R33-38	6	Carbon	270K	2W	10%	40270505	T1	1	Transformer		120V		60004402
R39	1	Carbon	100Ω	1/2W	10%	40270505			Transformer		220V		60004406
R40	1	Carbon	150K	1/2W	5%	41150503	OT1-4	4	AC Receptacle				23201300
R41	1	Carbon	220K	1W	5%	41220504	SW1	1	Input Selector Switch	2Pole	5Pos		24001000
R42,44	2	Carbon	100K	1/4W	5%	41100502	SW2	1	Tape Monitor Switch	DPDT	Gold		24100400
R43	1	Wirewound	220K	1/4W	5%	41220502	SW3	1	Mode Switch	3Pole	5Pos		24000700
R45	1	Metal Film	10Ω	5W	5%	43100104	SW5	1	Mute-Operate Switch	DPDT	Gold		24100400
R46,68	2	Metal Film	100K	1/4W	1%	42100502	SW6,8	1	On-Off Switch	DPDT	Silver		24100700
R47	1	Metal Film	12.1K	1/2W	1%	42121403	RY-1	1	Relay, 24V	SPST	N.O.		64100300
R48	1	Carbon	1K	1/4W	1%	42100302	V1-J16	16	Phono Jack				23201000
			470K	1/4W	5%	41470502							