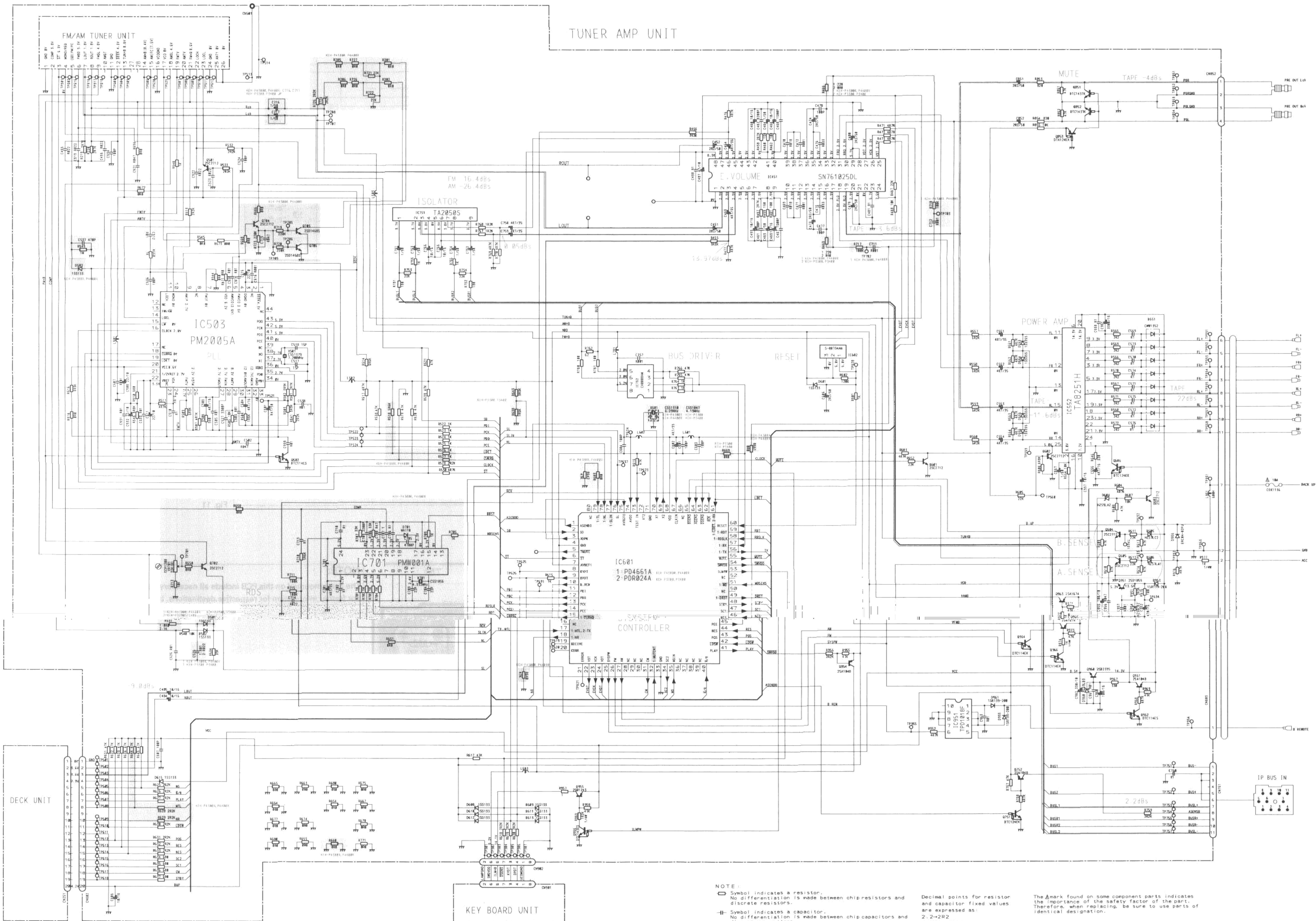


10. SCHEMATIC CIRCUIT DIAGRAM



NOTE:  
 □ Symbol indicates a resistor.  
 No differentiation is made between chip resistors and discrete resistors.  
 □ Symbol indicates a capacitor.  
 No differentiation is made between chip capacitors and discrete capacitors.

Decimal points for resistor and capacitor fixed values are expressed as:  
 2.2-2R2  
 0.022-R022

The Δ mark found on some component parts indicates the importance of the safety factor of the part. Therefore, when replacing, be sure to use parts of identical designation.

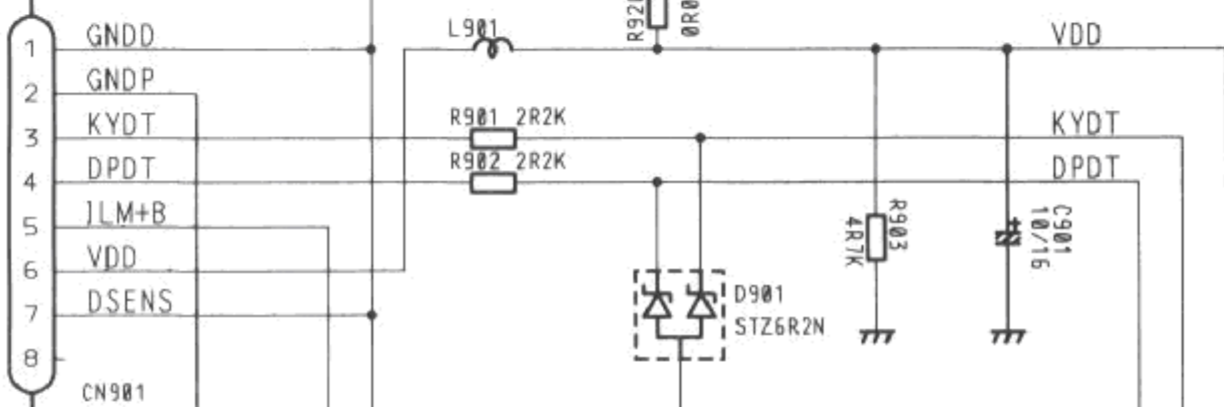
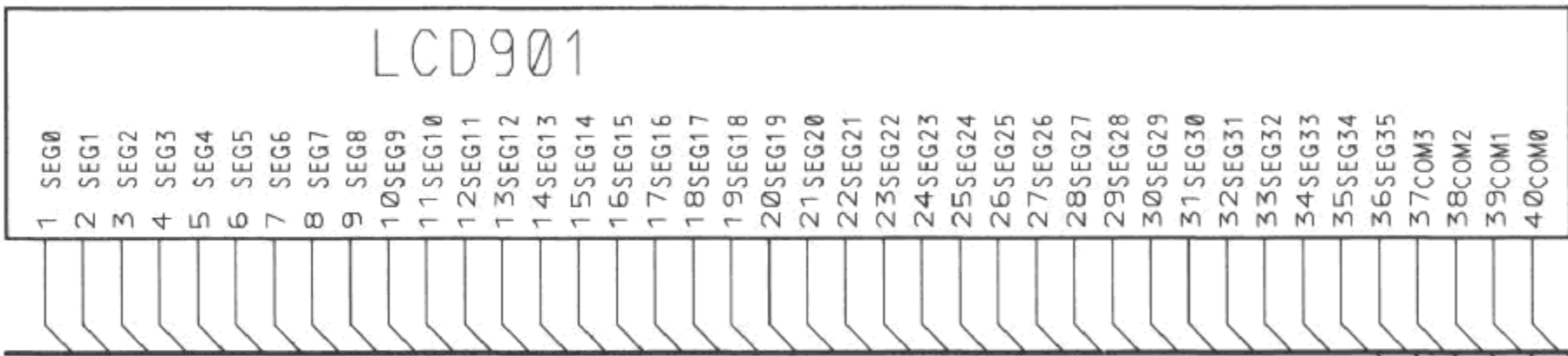
Fig. 10



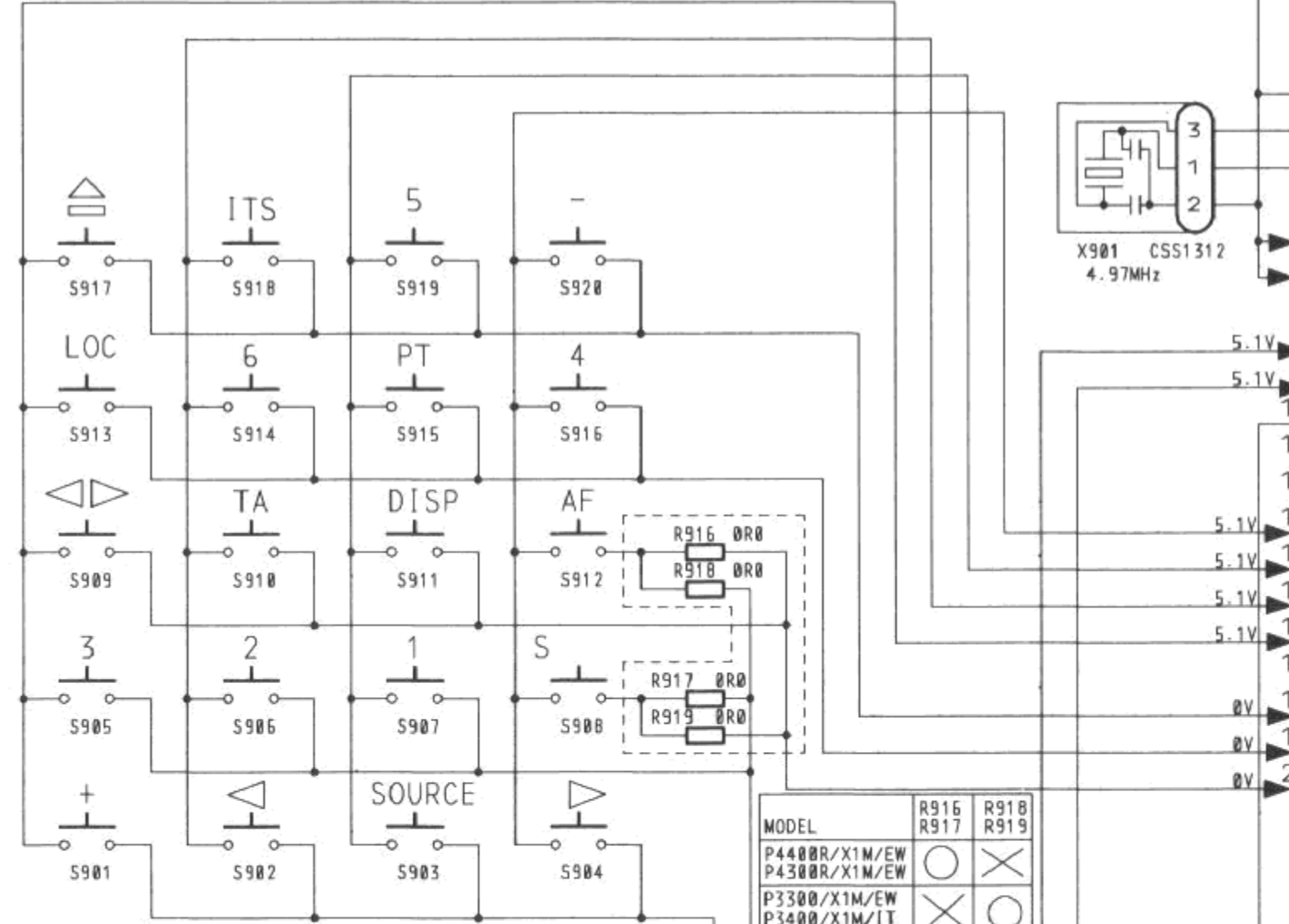
# KEY BOARD UNIT

TUNER AMP UNIT  
CN902

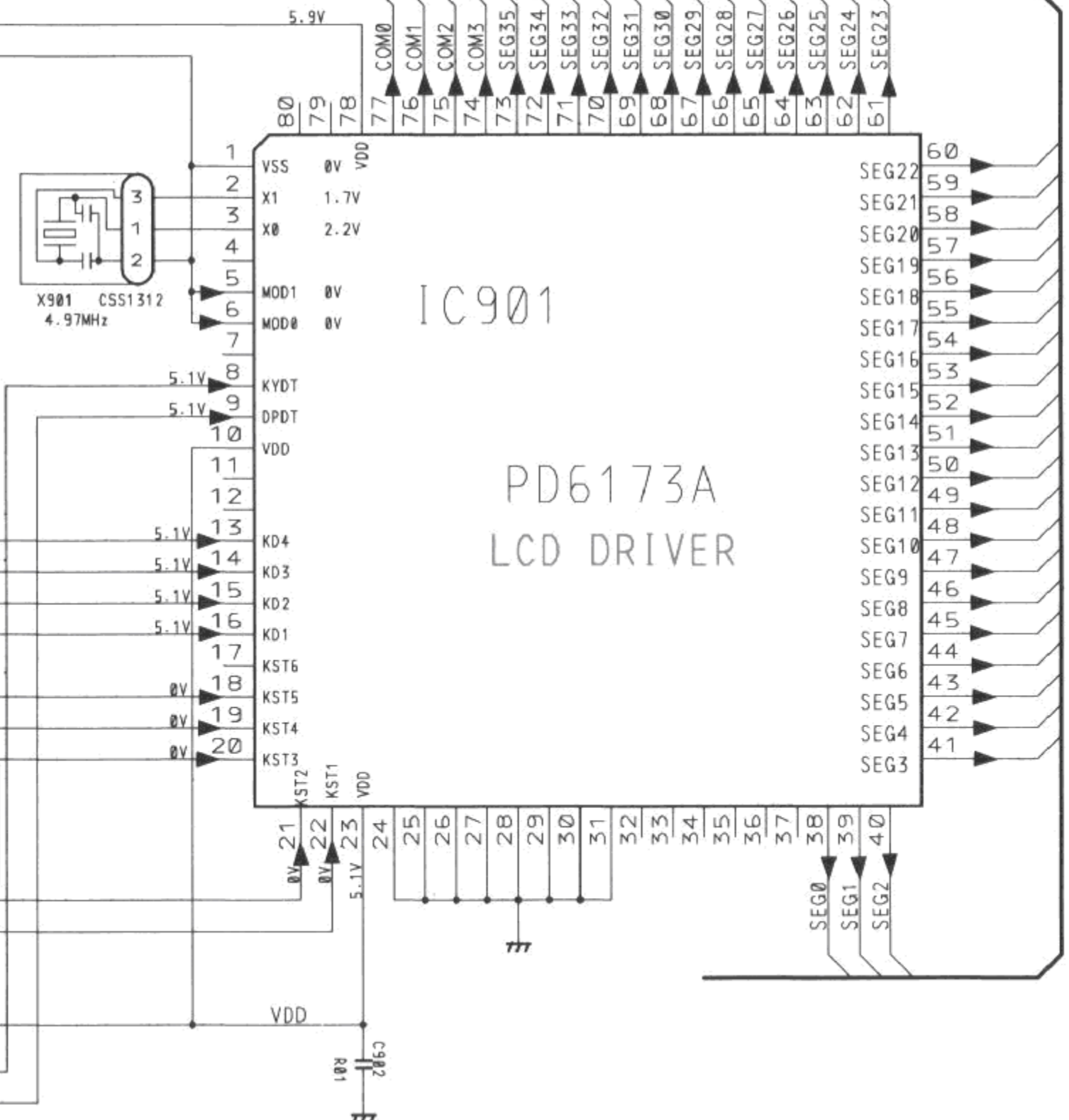
MODEL	LCD901
P4400R/X1M/EW	CAW1343
P4300R/X1M/EW	CAW1344
P3400/X1M/IT	
P3300/X1M/EW	CAW1346



MODEL	IL901-906
P4400R/X1M/EW	CEL1481
P3400/X1M/IT	
P4300R/X1M/EW	CEL1479
P3300/X1M/EW	



MODEL	R916	R917	R918	R919
P4400R/X1M/EW	○	○	×	×
P4300R/X1M/EW	○	○	×	×
P3300/X1M/EW	×	×	○	○
P3400/X1M/IT	×	×	○	○



MODEL	R916	R917	R918	R919
P4400R/X1M/EW	○	○	×	×
P4300R/X1M/EW	○	○	×	×
P3300/X1M/EW	×	×	○	○
P3400/X1M/IT	×	×	○	○

