

2183

NBR#

ORDER NO. RD83072080C1

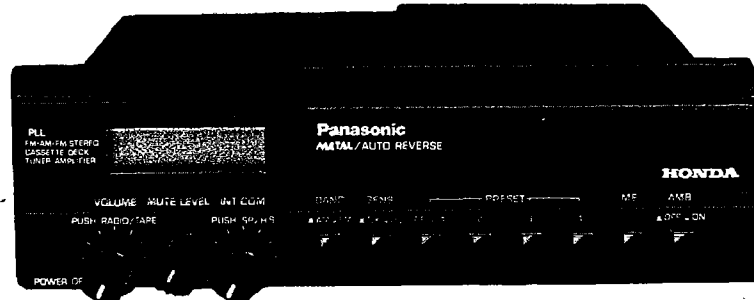
Service Manual

Car Audio

FM-AM-FM STEREO
CASSETTE DECK TUNER AMPLIFIER

2630
RM-1100

CUSTOM-MADE FOR HONDA



⚠ WARNING

This service literature is designed for experienced repair technicians only and is not designed for use by the general public. It does not contain warnings or cautions to advise non-technical individuals of potential dangers in attempting to service a product. Products powered by electricity should be serviced or repaired only by experienced professional technicians. Any attempt to service or repair the product or products dealt with in this service literature by anyone else could result in serious injury or death.

■ SPECIFICATIONS

General

Power Source: DC 12 V (Negative ground only)
 Test Voltage: DC 14 V
 Power Consumption: 0.8A at maximum power output
 (Memory backup 1 mA)
 Dimensions: 208 mm(W)×64 mm(H)×144 mm(D)
 (8³/₁₆×2⁹/₁₆×5¹/₁₆) without bracket
 Weight: 1.7 kg (3 lb ³/₄ oz) without bracket

FM Tuner Section

Frequency Range: 87.5~108 MHz
 Usable Sensitivity: 8 dB (S/N 30 dB)
 Signal to Noise Ratio: 55 dB
 Stereo Separation: 35 dB at 1 kHz
 THD: 0.5%
 IF Frequency: 10.7 MHz

AM Tuner Section

Frequency Range: 520~1610 kHz
 Usable Sensitivity: 34 dB (S/N 20 dB)
 Selectivity: 50 dB (±10 kHz)
 IF Frequency: 450 kHz

Cassette Deck Section

Tape System: Auto-reverse
 Wow & Flutter: 0.15% (WRMS)
 Stereo Separation: 35 dB at 1 kHz

Intercom Section

Mike Input Impedance: 600Ω
 Headphone Output: 0.5 W (16Ω/CH)

Specifications are subject to change without notice.

© Matsushita Electric Industrial Co. Ltd.
 All rights reserved. Unauthorized
 copying and distribution is a violation of law

Panasonic®

Matsushita Engineering and
 Service Company
 50 Meadowland Parkway,
 Secaucus, New Jersey 07094

Panasonic Hawaii Inc.
 91-238 Kauhū St. Ewa Beach
 P.O. Box 774
 Honolulu, Hawaii 96808-0774

Matsushita Electric
 of Canada Limited
 5770 Ambler Drive, Mississauga,
 Ontario, L4W 2T3

Panasonic Sales Company,
 Division of Matsushita Electric
 of Puerto Rico, Inc.
 Ave. 65 De Infanteria, KM 9.7
 Victoria Industrial Park
 Carolina, Puerto Rico 00630

LOCATION OF CONTROLS AND COMPONENTS

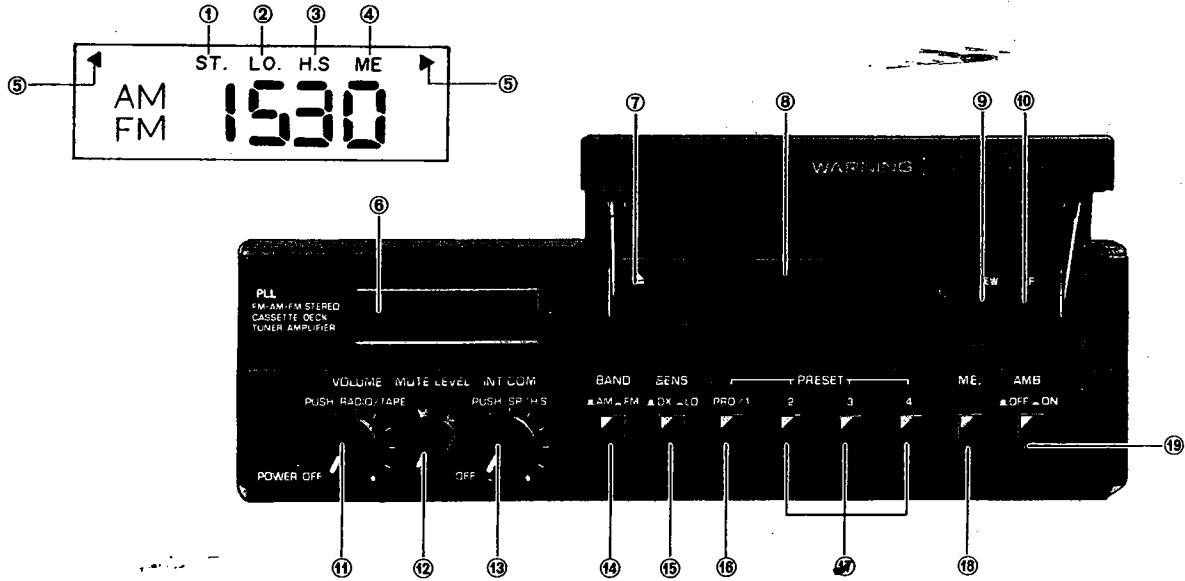


Fig. 1

- ① FM Stereo Indicator
- ② Local Indicator
- ③ Headset Indicator
- ④ Memory/Metal Indicator
- ⑤ Direction Indicators
- ⑥ LCD Display
- ⑦ Eject Button
- ⑧ Tape Slot
- ⑨ Rewind Button (REW)
- ⑩ Fast Forward Button (FF)
- ⑪ Radio/Tape Switch, Power Switch, Volume Control (PUSH RADIO/TAPE, POWER OFF)
- ⑫ Mute Level Control (MUTE LEVEL)
- ⑬ Speaker/Headset Switch Intercom Control (PUSH SP/HS)
- ⑭ Band Switch (AM, FM)
- ⑮ Sensitivity Switch (DX, LOCAL)
- ⑯ Program/Preset Switch (PRO/1)
- ⑰ Preset Switches (2, 3, 4)
- ⑱ Metal/Memory Switch (ME)
- ⑲ Ambience Switch (ON, OFF)

DISASSEMBLY INSTRUCTIONS

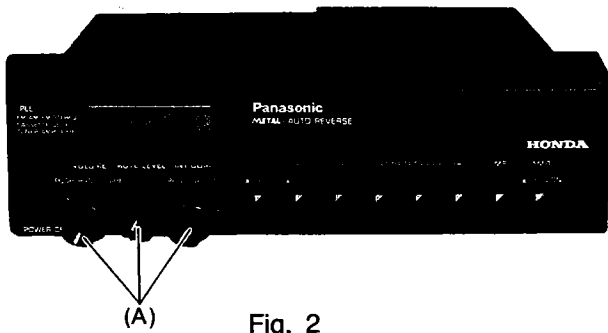


Fig. 2

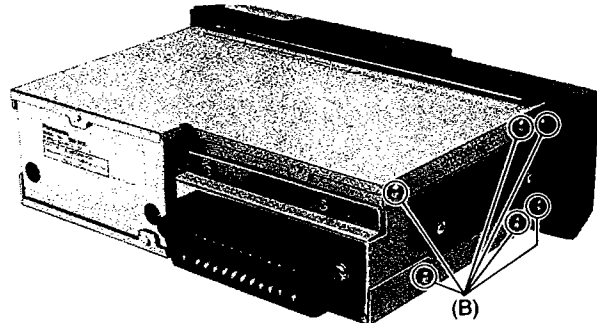


Fig. 4

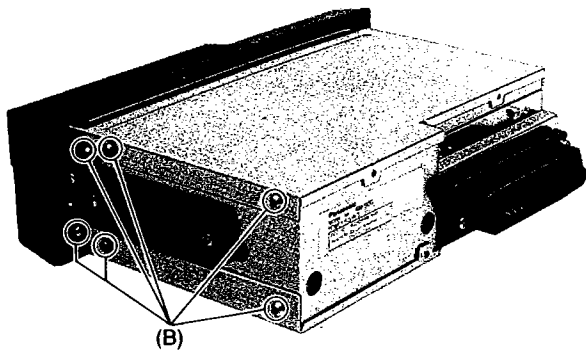


Fig. 3

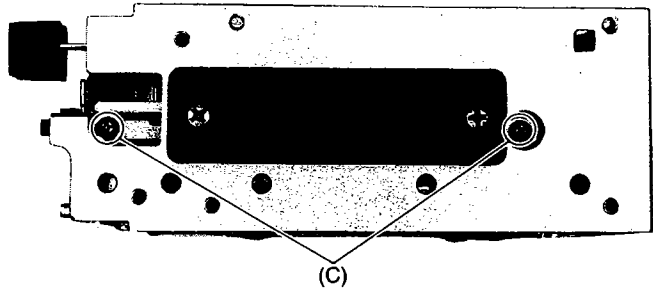


Fig. 5

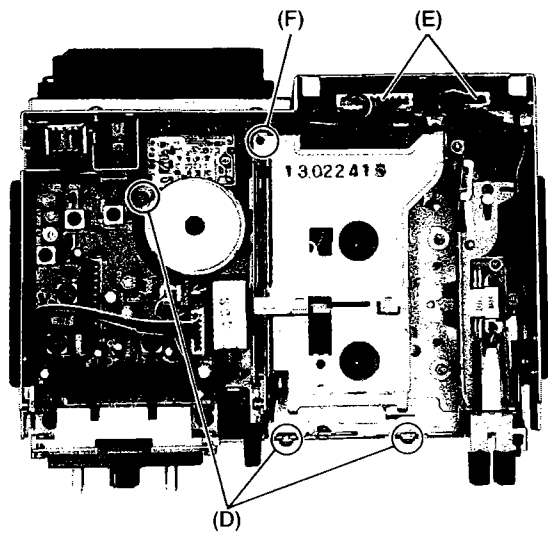


Fig. 6

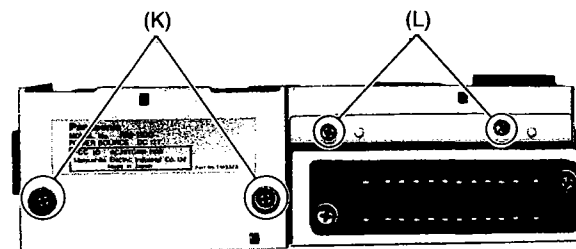


Fig. 9

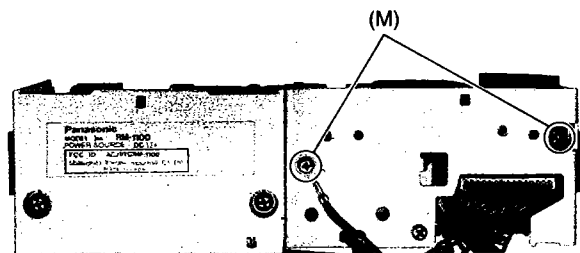


Fig. 10

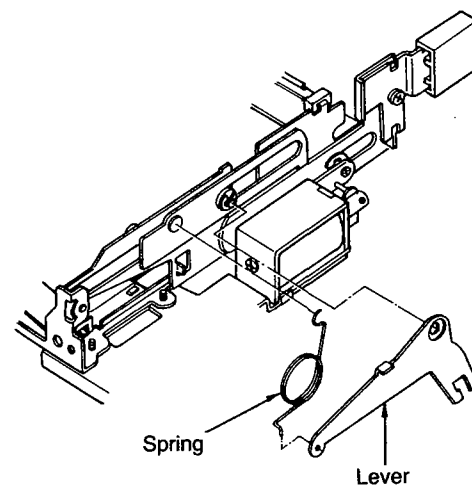


Fig. 13

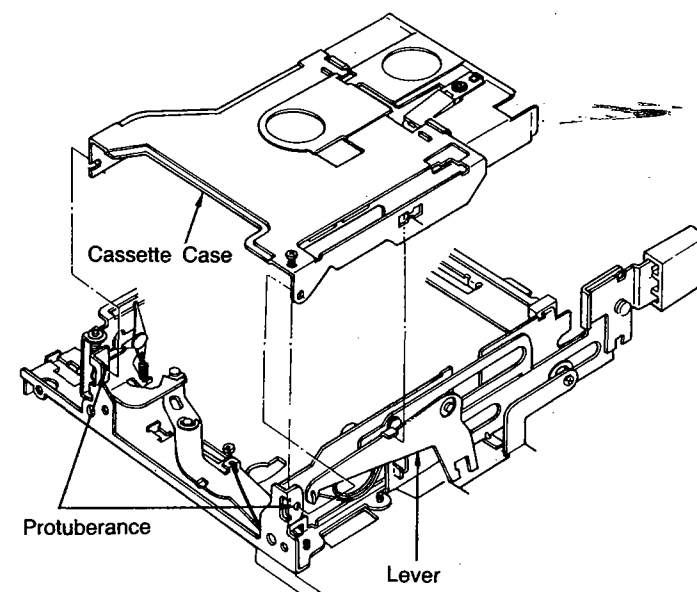


Fig. 14

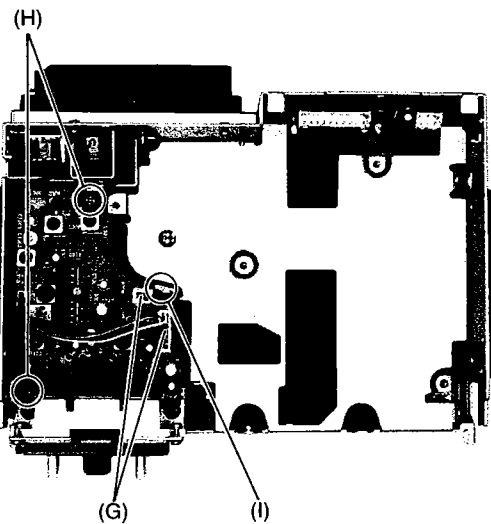


Fig. 7

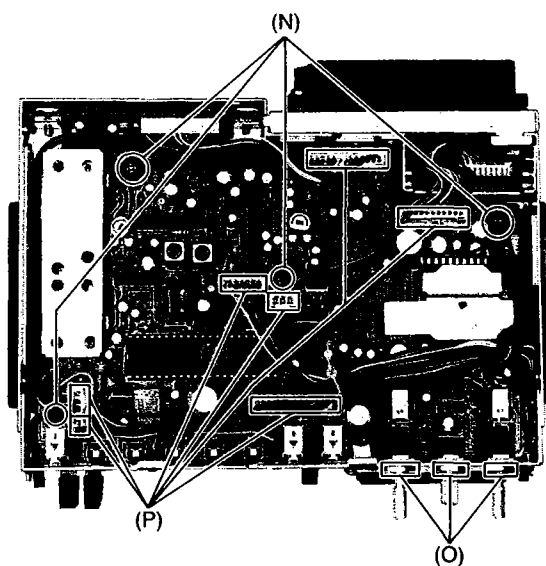


Fig. 11

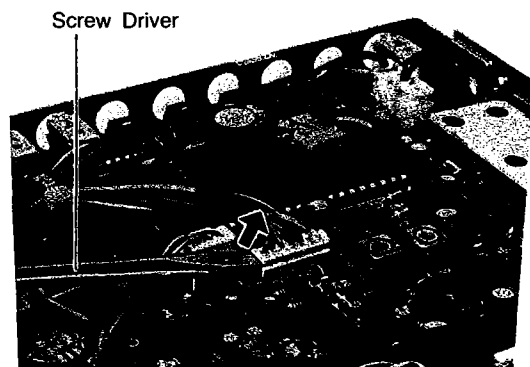


Fig. 12

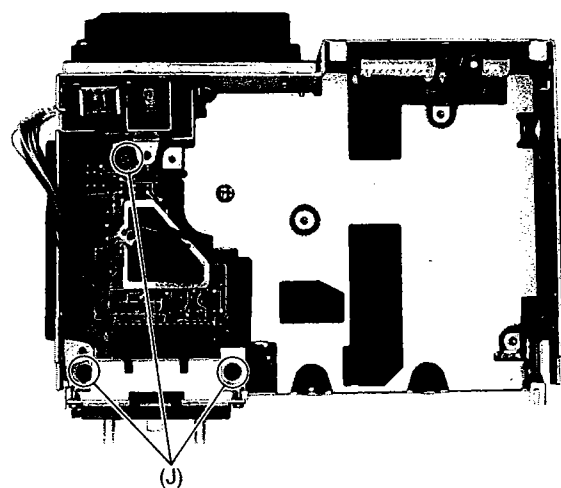


Fig. 8

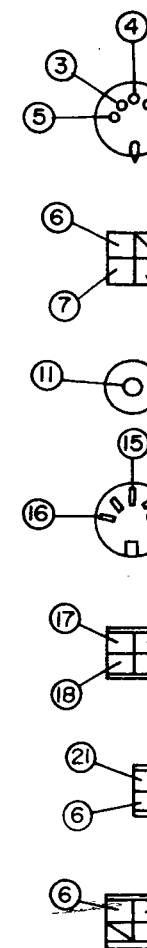
Ref. No.	Procedure	Shown in Fig.—	To remove—	Remove—
1	1, 2	2	Front Panel	Knob (A)×3
2		3, 4		Screw (3×6) (B)×12
3	1~5	5	Mechanism	Screw (2.6×5) (C)×2
4		6		Screw (2.6×5) (D)×3
5		6		Socket *1 (E)×2
6	1~6	6	Cassette Case *2	Loosen screw (2×3) (F)×1
7	1~9	7	AM Circuit Board	Socket *1 (G)×2
8		7		Screw (3×6) (H)×2
9		7		Twist the chassis (I)×1
10	1~10	8	LCD Circuit Board	Screw (3×6) (J)×3
11	1~5, 11	9	Deck EQ & Ambience Circuit Board	Screw (3×6) (K)×2
12	1, 2, 12, 13	9	Power Source Circuit Board	Screw (3×4) (L)×2
13		10		Screw (3×4) (M)×2
14	1, 2, 14~16	11	Main Circuit Board	Screw (3×6) (N)×4
15		11		Nut (7Ø) (O)×3
16		11		Socket *1 (P)×7

*1. Remove socket in the direction of arrow as shown in fig. 12.

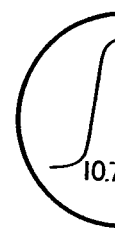
*2. To reassemble, note the following.

(1) Insert the lever and spring in mechanism, as shown in fig. 13.

(2) Insert the cassette case as shown in fig. 14.



■ WAVE F



Fig

■ AM RF



HARNESS CONNECTION

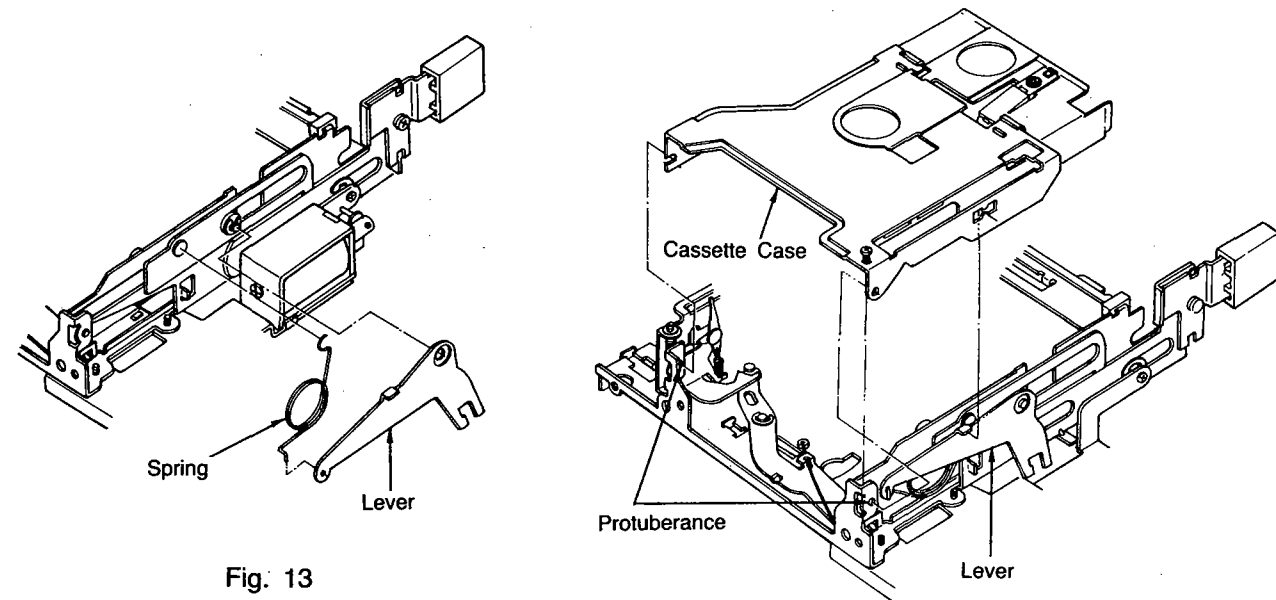


Fig. 13

Fig. 14

Ref. No.	Procedure	Shown in Fig.—	To remove—	Remove—
1	1, 2	2	Front Panel	Knob (A)×3
2		3, 4		Screw (3×6) (B)×12
3	1~5	5	Mechanism	Screw (2.6×5) (C)×2
4		6		Screw (2.6×5) (D)×3
5		6		Socket *1 (E)×2
6	1~6	6	Cassette Case *2	Loosen screw (2×3) (F)×1
7	1~9	7	AM Circuit Board	Socket *1 (G)×2
8		7		Screw (3×6) (H)×2
9		7		Twist the chassis (I)×1
10	1~10	8	LCD Circuit Board	Screw (3×6) (J)×3
11	1~5, 11	9	Deck EQ & Ambience Circuit Board	Screw (3×6) (K)×2
12	1, 2, 12, 13	9	Power Source Circuit Board	Screw (3×4) (L)×2
13		10		Screw (3×4) (M)×2
14	1, 2, 14~16	11	Main Circuit Board	Screw (3×6) (N)×4
15		11		Nut (7∅) (O)×3
16		11		Socket *1 (P)×7

*1. Remove socket in the direction of arrow as shown in fig. 12.
 *2. To reassemble, note the following.
 (1) Insert the lever and spring in mechanism, as shown in fig. 13.
 (2) Insert the cassette case as shown in fig. 14.

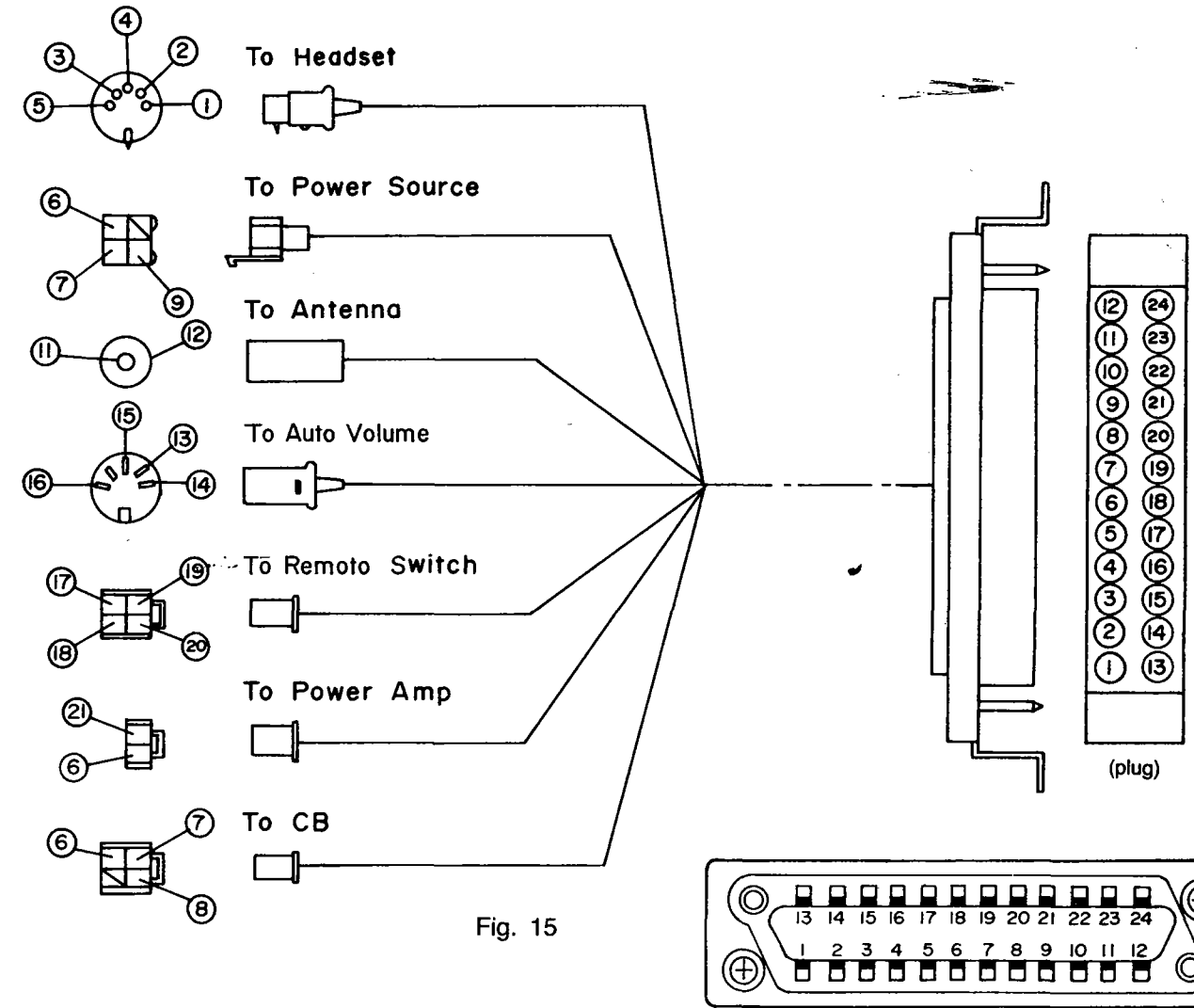


Fig. 15

■ WAVE FORM

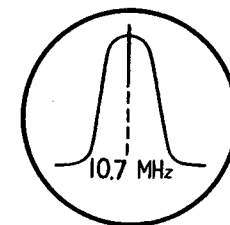


Fig. 16

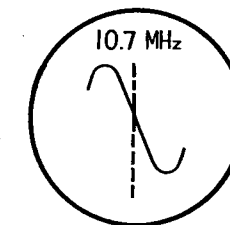


Fig. 17

■ AM RF DUMMY ANTENNA

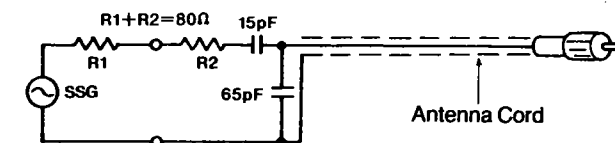


Fig. 18

■ FM RF DUMMY ANTENNA

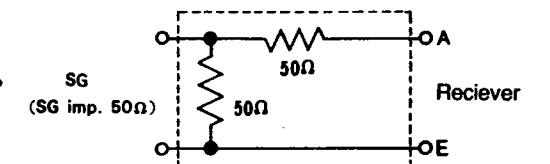


Fig. 19

MEASUREMENTS AND ADJUSTMENTS

ALIGNMENT POINT

1. Set power switch to ON.
2. Mute switch to OFF.
3. Intcom switch to HS.
4. Set volume control to maximum.
5. Set band switch to AM, FM.
6. Set SENS switch to DX.

AM IF ALIGNMENT

BAND	SIGNAL GENERATOR or SWEEP GENERATOR		FREQUENCY DISPLAY SETTING	INDICATOR (ELECTRONICS VOLTMETER or SCOPE)	ADJUSTMENT	REMARKS
	CONNECTIONS	FREQUENCY				
AM-IF ALIGNMENT						
AM	▼.....(+) Earth.....(-)	450 kHz 30% Mod. at 400 Hz	Point of non-interference. (on/about 600 kHz)	▼...(+) ▼...(-)	T302 (AM 1st IFT) T303 (AM 2nd IFT)	Adjust for maximum output.

AM RF ALIGNMENT

BAND	AM SIGNAL GENERATOR		FREQUENCY DISPLAY SETTING	DC VOLT METER	ADJUSTMENT	REMARKS
	CONNECTIONS	FREQUENCY				
AM	Disconnect	No signal applied	520 kHz	▼...(+) ▼...(-)	L303 (AM OSC Coil)	Adjust for 1.2±0.05 V reading on DC voltmeter
	Disconnect	No signal applied	1610 kHz	▼...(+) ▼...(-)	CT302 (AM OSC Trimmer)	Adjust for 7.8±0.1 V reading on DC voltmeter
Repeat steps (1) and (2).						
BAND	AM SIGNAL GENERATOR		FREQUENCY DISPLAY SETTING	AC VOLT METER	ADJUSTMENT	REMARKS
	CONNECTIONS	FREQUENCY				
AM	Connect to antenna socket through AM RF dummy antenna. (Refer to Fig. 18)	550 kHz	550 kHz	▼...(+) ▼...(-)	L301 (AM ANT Coil) L304 (AM ANT Coil)	Adjust for maximum reading on AC voltmeter
	"	1500 kHz	1500 kHz	▼...(+) ▼...(-)	CT301 (AM ANT Trimmer) CT303 (AM ANT Trimmer)	"
Repeat steps (4) and (5).						

AM NB ALIGNMENT

BAND	AM SIGNAL GENERATOR		FREQUENCY DISPLAY SETTING	OSCILLOSCOPE	ADJUSTMENT	REMARKS
	CONNECTIONS	FREQUENCY				
AM	Connect to antenna socket through AM RF dummy antenna. (Refer to Fig. 18)	550 kHz (400 Hz, 0% Mod, 74 dB)	550 kHz	▼...(+) ▼...(-)	T301 (AM NB)	Adjust for maximum wave from on oscilloscope.

FM ALIGNMENT

BAND	SIGNAL GENERATOR or SWEEP GENERATOR		FREQUENCY DISPLAY SETTING	INDICATOR (ELECTRONICS VOLTMETER or SCOPE)	ADJUSTMENT	REMARKS
	CONNECTIONS	FREQUENCY				
FM-IF ALIGNMENT						
FM	High side thru. 0.001µF to test point ▼. Negative side to test point ▼.	10.7 MHz SWP.	Point of non-interference. (on/about 90 MHz)	Connect vert. amp. of scope to test point ▼. Negative side to test point ▼.	T1 (FM 1st IFT)	Adjust for maximum amplitude. (Refer to Fig. 16)
FM	"	"	"	"	T3 (FM 2nd IFT)	Adjust for maximum amplitude. (Refer to Fig. 17)

FM RF ALIGNMENT

BAND	FM SIGNAL GENERATOR		FREQUENCY DISPLAY SETTING	DC VOLTMETER	ADJUSTMENT	REMARKS
	CONNECTIONS	FREQUENCY				
(1)	Disconnect	No signal applied	87.5 MHz	▼...(+) ▼...(-)	L5 (FM OSC Coil)	Adjust for 1.2±0.05 V reading on DC voltmeter.
(2)	Disconnect	No signal applied	108 MHz	▼...(+) ▼...(-)	CT3 (FM OSC Trimmer)	Adjust for 8±0.1 V reading on DC voltmeter.
(3)	Repeat steps (1) and (2).					
BAND	FM SIGNAL GENERATOR		FREQUENCY DISPLAY SETTING	AC VOLTMETER	ADJUSTMENT	REMARKS
	CONNECTIONS	FREQUENCY				
(4)	Antenna socket (FM RF Dummy Fig. 19)	89 MHz (400 Hz 30%)	89 MHz	▼...(+) ▼...(-)	L1 (FM ANT Coil) L4 (FM ANT Coil)	Adjust for maximum reading on AC voltmeter
(5)	"	107 MHz (400 Hz 30%)	107 MHz	▼...(+) ▼...(-)	CT1 (FM ANT Trimmer) CT2 (FM ANT Trimmer)	"
(6)	Repeat steps 4 and 5.					

DC BALANCE NB ALIGNMENT

BAND	FM SIGNAL GENERATOR		FREQUENCY DISPLAY SETTING	DC VOLTMETER (center "0")	ADJUSTMENT	REMARKS
	CONNECTIONS	FREQUENCY				
FM	Antenna socket	89 MHz (400 Hz, 30% Mod, 60 dB)	89 MHz	▼...(+) ▼...(-)	T3 (FM IFT)	Adjust T3 for -0.05~0.05 V reading on DC voltmeter.

FM STEREO ALIGNMENT

Notes: 1. Stereo modulator •Connect stereo modulator output to EXT MOD terminal of signal generator.
 •Pilot signal modulation to "10%".
 2. FM signal generator •Frequency approximately 100 MHz/Output level to "60~70 dB", 1~3 mV.
 •Modulation mode to "FM".

CIRCUIT	SIGNAL GENERATOR	FREQUENCY COUNTER	AC VOLTMETER	ADJUSTMENT	REMARKS
PILOT	89 MHz (0% Mod, 80 dB)	High side thru, 100 kΩ to test point ▼. Negative side to ▼.	—	VR2 (Pilot)	Adjust for 76.00 kHz ± 50 Hz reading on frequency counter.
SEPARATION	89 MHz (400 Hz, 30% Mod, 80 dB)	—	▼...Lch (+) ▼...Rch (+) ▼...(-)	VR1 (Separation)	Make adjustment so that when the antenna input is subjected to L modulation (or R modulation.) R channel output (or L channel output) becomes minimum.

AZIMUTH ALIGNMENT

TAPE	AC VOLTMETER①	AC VOLTMETER②	ADJUSTMENT	REMARKS
Playback the azimuth tape.	Across headset	Across headset	▼...Lch (+) ▼...Rch (+) ▼...(-)	Adjust for same reading on AC voltmeter① and ②.

- AM ANT 1500kHz CT303
- AM OSC 1610kHz CT302
- AM OSC 520kHz L303
- AM 1st 450kHz T302
- AM 2nd 450kHz T303
- AM ANT 1500kHz CT301
- FM OSC 108MHz CT3
- FM OSC 87.5MHz L5
- FM 1st 10.7MHz T1
- FM ANT 89MHz L4
- FM ANT 89MHz L1

FM RF ALIGNMENT

BAND	FM SIGNAL GENERATOR		FREQUENCY DISPLAY SETTING	DC VOLTMETER	ADJUSTMENT	REMARKS
	CONNECTIONS	FREQUENCY				
(1)	Disconnect	No signal applied	87.5 MHz	▼...(+) ▼...(-)	L5 (FM OSC Coil)	Adjust for 1.2±0.05 V reading on DC voltmeter.
(2)	Disconnect	No signal applied	108 MHz	▼...(+) ▼...(-)	CT3 (FM OSC Trimmer)	Adjust for 8±0.1 V reading on DC voltmeter.
(3)	Repeat steps(1) and (2).					
BAND	FM SIGNAL GENERATOR		FREQUENCY DISPLAY SETTING	AC VOLTMETER	ADJUSTMENT	REMARKS
	CONNECTIONS	FREQUENCY				
(4)	Antenna socket (FM RF Dummy Fig. 19)	89 MHz (400 Hz 30%)	89 MHz	▼...(+) ▼...(-)	L1 (FM ANT Coil) L4 (FM ANT Coil)	Adjust for maximum reading on AC voltmeter
(5)	"	107 MHz (400 Hz 30%)	107 MHz	▼...(+) ▼...(-)	CT1 (FM ANT Trimmer) CT2 (FM ANT Trimmer)	"
(6)	Repeat steps 4 and 5.					

DC BALANCE NB ALIGNMENT

BAND	FM SIGNAL GENERATOR		FREQUENCY DISPLAY SETTING	DC VOLTMETER (center "0")	ADJUSTMENT	REMARKS
	CONNECTIONS	FREQUENCY				
FM	Antenna socket	89 MHz (400 Hz, 30% Mod, 60 dB)	89 MHz	▼...(+) ▼...(-)	T3 (FM IFT)	Adjust T3 for -0.05~0.05 V reading on DC voltmeter.

FM STEREO ALIGNMENT

Notes: 1. Stereo modulator..... •Connect stereo modulator output to EXT MOD terminal of signal generator.
 •Pilot signal modulation to "10%".
 2. FM signal generator..... •Frequency approximately 100 MHz/Output level to "60~70 dB", 1~3 mV.
 •Modulation mode to "FM".

CIRCUIT	SIGNAL GENERATOR	FREQUENCY COUNTER	AC VOLTMETER	ADJUSTMENT	REMARKS
PILOT	89 MHz (0% Mod, 80 dB)	High side thru, 100 kΩ to test point ▼. Negative side to ▼.	—	VR2 (Pilot)	Adjust for 76.00 kHz±50 Hz reading on frequency counter.
SEPARATION	89 MHz (400 Hz, 30% Mod, 80 dB)	—	▼...Lch (+) ▼...Rch (+) ▼...(-)	VR1 (Separation)	Make adjustment so that when the antenna input is subjected to L modulation (or R modulation.) R channel output (or L channel output) becomes minimum.

AZIMUTH ALIGNMENT

TAPE	AC VOLTMETER①	AC VOLTMETER②	ADJUSTMENT	REMARKS
Playback the azimuth tape.	Across headset	Across headset	▼...Lch (+) ▼...Rch (+) ▼...(-)	Adjust for same reading on AC voltmeter① and ②.

ALIGNMENT POINT *Please refer to Circuit Board for test points locaton.

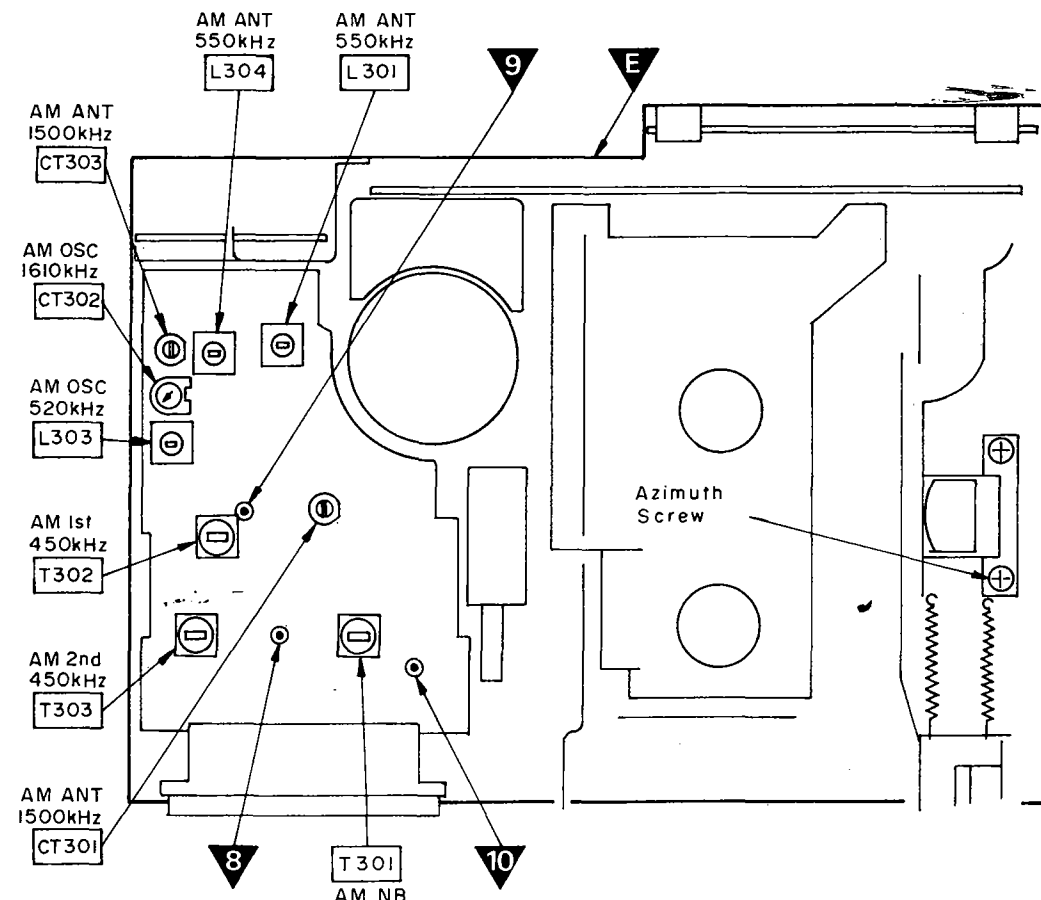


Fig. 20

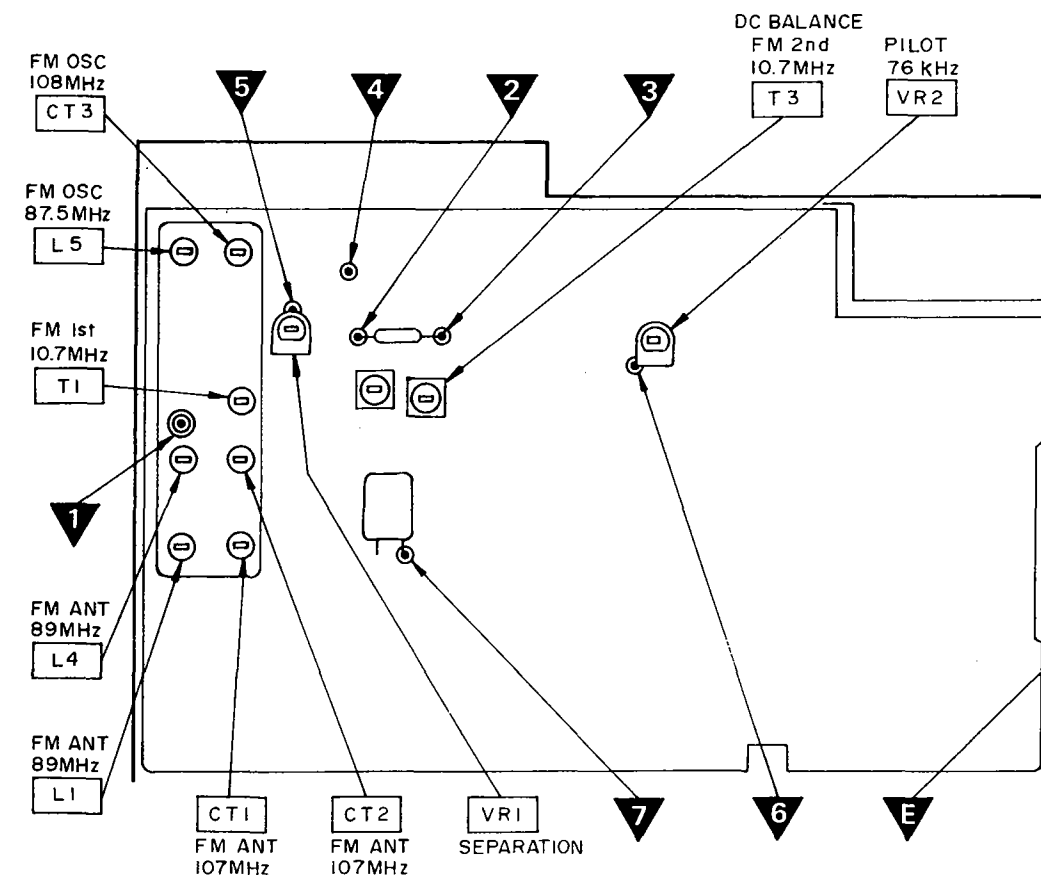


Fig. 21

LIQUID CRYSTAL DISPLAY (LCD)

1) The common and segment terminals of the LCD are connected in the following way:

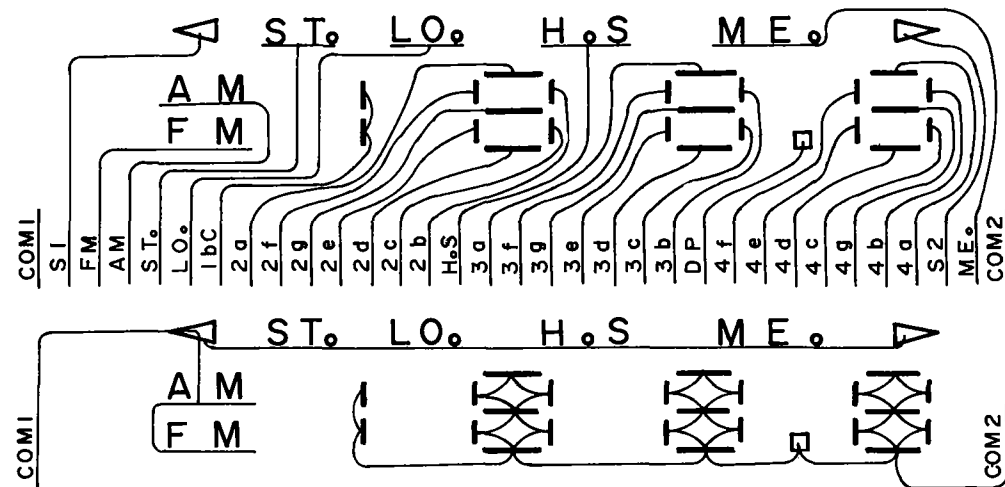


Fig. 22

2) Output signal waveforms of LCD segment

Fig. 22-1 indicates the timing chart of LCD operation.

No.	Phase of segment signal vs. common signal	Segments of LCD
1	Opposite	ON
2	Same	OFF

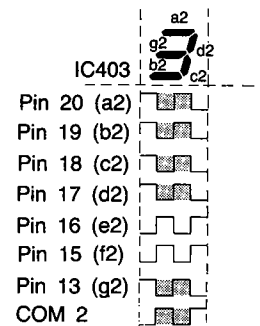


Fig. 22-1

RVITD6301AP (IC403): EACH TERMINAL FUNCTION & WAVEFORM

1) Terminal View

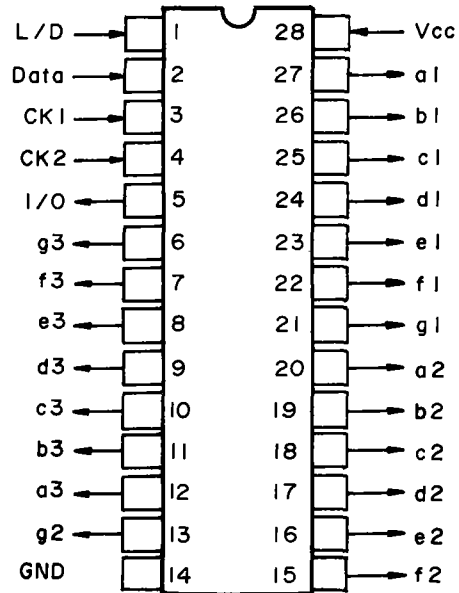


Fig. 23

2) Block Diagram

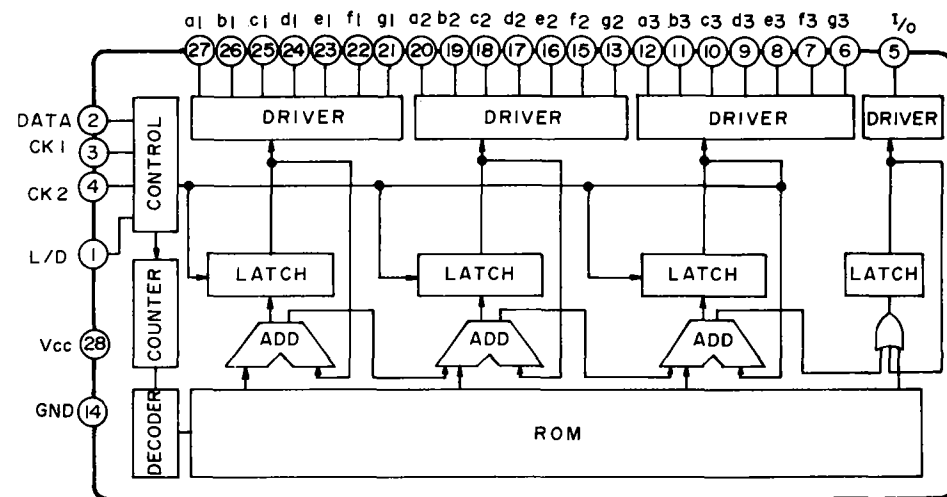
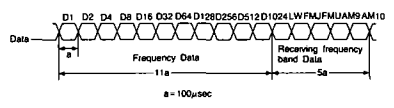
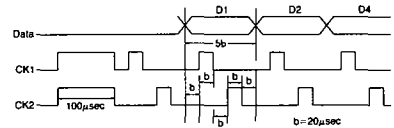


Fig. 24

3) Explanation of each terminal

Pin No.	Symbol	Description	Pin No.	Symbol	Description
1	L/D	Output condition switching input terminal. This terminal sets the display output mode (LED, FL, or LCD). LED...Make this terminal "H" level. FL ...Make this terminal "L" level. LCD...Apply AC voltage to this terminal.	21~27	a1~g1	7-segment drive output terminal. This output terminal for enabling display of the digit corresponding to units of 100 kHz in the FM mode and the digit corresponding to units of 1 kHz in the AM mode.
2	Data	Receiving frequency data input terminal. A data signal containing the receiving frequency and band is sent to this terminal from pin 22 of IC7 (RVITC9137P) each time the receiving frequency is changed. 	28	Vss	Power supply terminal (5V).
3, 4	CK1, CK2	Receiving frequency data input control timing input terminal. Each time a data signal is sent, a timing signal is concurrently sent from pins 20 and 21 of IC7 to this terminal, to read the data signal. Two lines (CK-1 and CK-2) are used for timing the data signal reading. They have the following timing relationship with the data signal. 			
5	I/O	Segment drive output terminal. This output terminal enables display of the digit corresponding to units of 100 MHz in the FM mode and the digit corresponding to units of 1000 kHz in the AM mode.			
6~12	a3~g3	7-segment drive output terminal. This output terminal enables display of the digit corresponding to units of 10 MHz in the FM mode and the digit corresponding to units of 100 kHz in the AM mode.			
13,15~20	a2~g2	7-segment drive output terminal. This output terminal enables display of the digit corresponding to units of 1 MHz in the FM mode and the digit corresponding to units of 10 kHz in the AM mode.			
14	GND	Ground terminal.			

RVITC9137P (IC7): EACH TERMINAL FUNCTION & WAVEFORM

1) Terminal view

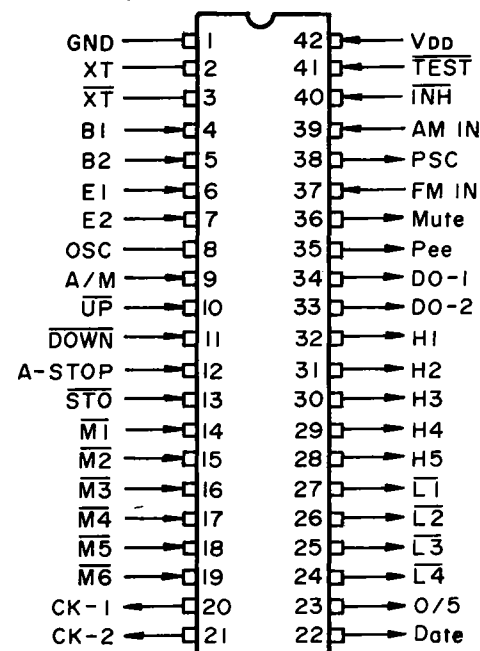


Fig. 25

2) Block Diagram

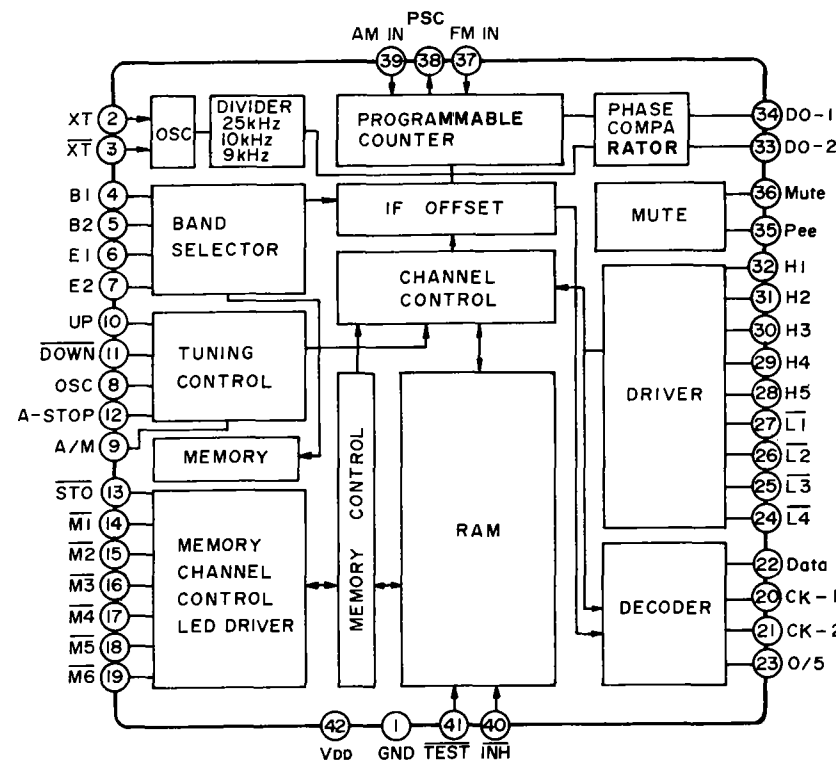


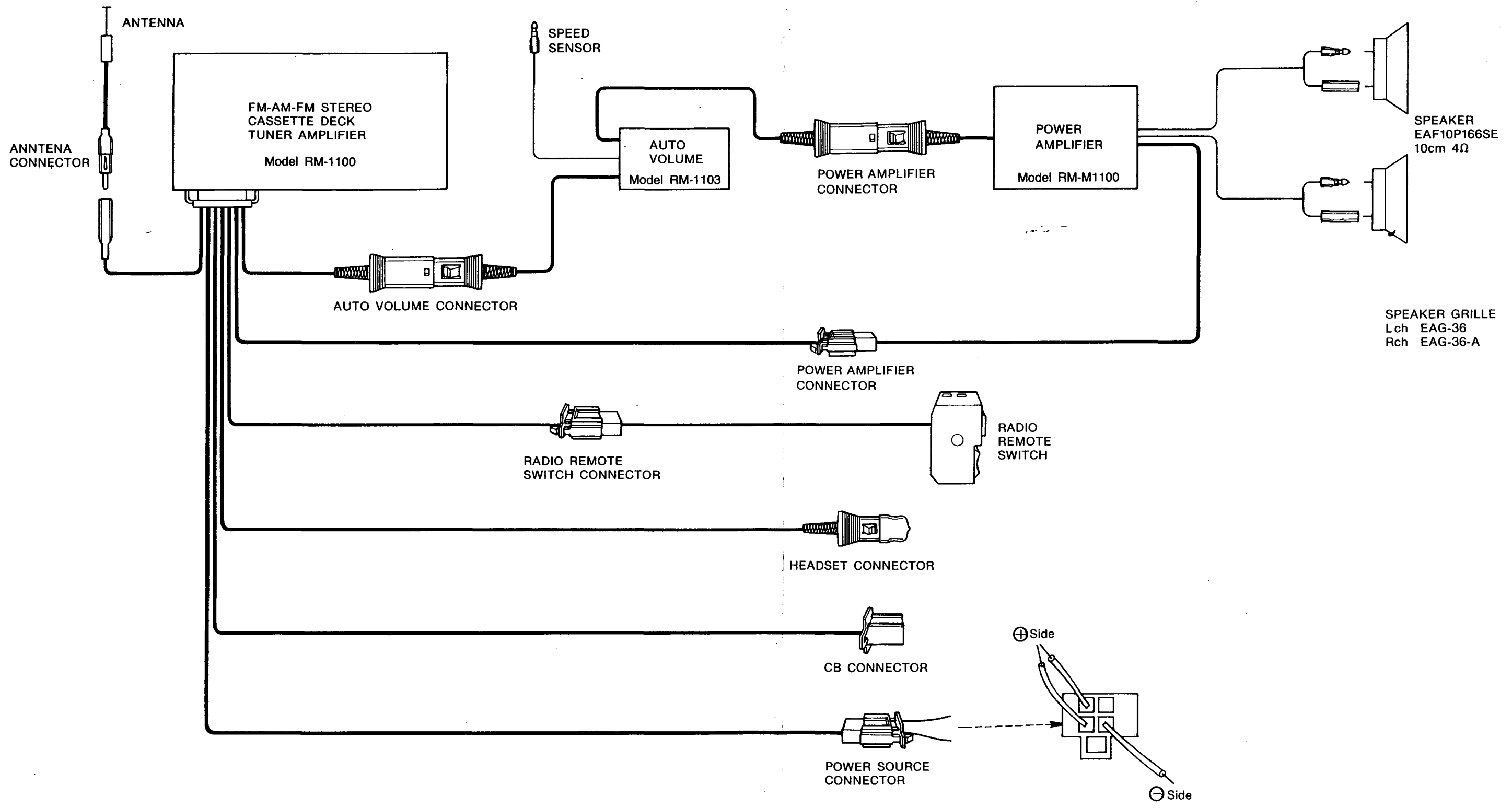
Fig. 26

3) Explanation of each terminal

Pin No.	Symbol	Description	Pin No.	Symbol	Description																					
1	GND	Ground terminal.	8	OSC	External CR connection terminal. Externally connected C123 (10 V, 2.2 μF) and R133 (27 kΩ) determine the auto-search scanning speed, automatic reset of the preset memory storage state, and the shifting time of manual tuning to fast scanning.																					
2, 3	XT, XT̄	Used to connect a quartz oscillator (7.2 MHz).	9	A/M	Auto/manual switching input terminal. Selects manual or auto-search mode in the up/down tuning mode. "L" level.....manual mode "H" level.....auto-search mode Sustained pressing of the UP/DOWN tuning key for a certain time switches from manual mode to auto-search mode, and moves the A/M terminal from "L" to "H".																					
4, 5	B1, B2	Input terminals for FM/AM band switching and IF fine tuning selection. Applying the voltages shown below effects band switching and IF selection. <table border="1" style="margin: 5px auto;"> <tr> <td>B1 (Pin 4)</td> <td>B2 (Pin 5)</td> <td></td> </tr> <tr> <td>"L"</td> <td>"L"</td> <td>AM (450 kHz)</td> </tr> <tr> <td>"H"</td> <td>"H"</td> <td>FM (10.7 MHz)</td> </tr> </table> "H" Level: 5 V "L" Level: 0 V	B1 (Pin 4)	B2 (Pin 5)		"L"	"L"	AM (450 kHz)	"H"	"H"	FM (10.7 MHz)	10, 11	UP, DOWN	Tuning key input terminals. When the voltages shown below are applied to the UP and DOWN terminals, the reception frequency is raised or lowered. <table border="1" style="margin: 5px auto;"> <tr> <td>UP (Pin 10)</td> <td>DOWN (Pin 11)</td> <td></td> </tr> <tr> <td>"H"</td> <td>"H"</td> <td>The reception frequency is locked.</td> </tr> <tr> <td>"H"</td> <td>"L"</td> <td>The reception frequency lowers.</td> </tr> <tr> <td>"L"</td> <td>"H"</td> <td>The reception frequency rises.</td> </tr> </table> "H" level: 5 V, "L" level: 0 V	UP (Pin 10)	DOWN (Pin 11)		"H"	"H"	The reception frequency is locked.	"H"	"L"	The reception frequency lowers.	"L"	"H"	The reception frequency rises.
B1 (Pin 4)	B2 (Pin 5)																									
"L"	"L"	AM (450 kHz)																								
"H"	"H"	FM (10.7 MHz)																								
UP (Pin 10)	DOWN (Pin 11)																									
"H"	"H"	The reception frequency is locked.																								
"H"	"L"	The reception frequency lowers.																								
"L"	"H"	The reception frequency rises.																								
6, 7	E1, E2	Band-mode switching input terminals. Applying the voltages shown below switches the band mode. <table border="1" style="margin: 5px auto;"> <tr> <td>E1 (Pin 6)</td> <td>E2 (Pin 7)</td> <td></td> </tr> <tr> <td>"L"</td> <td>"H"</td> <td>For U.S.A. BAND</td> </tr> </table> "H" Level: 5 V "L" Level: 0 V	E1 (Pin 6)	E2 (Pin 7)		"L"	"H"	For U.S.A. BAND																		
E1 (Pin 6)	E2 (Pin 7)																									
"L"	"H"	For U.S.A. BAND																								

Pin No.	Symbol	Description	Pin No.	Symbol	Description
12	A-STOP	Auto-search stop input terminal. When a broadcast is detected during auto-search operation, "H" level signal is applied from Q3 (2SD601, SWITCHING) to the A-STOP terminal to stop the auto-search.	37	FM IN	FM programmable counter input terminal. The FM local oscillation signal which is divided into 1/30 or 1/32 by the prescaler (IC6 RVITD6104P) is inputted to this terminal. [Example] FM 100 MHz 2.8 μsec, 1.6 V, 1 V
13	ST0	Preset memory storage terminal. Pressing the memory switch (S6) brings pin 13 to "L" to ready the circuitry for storage.	38	PSC	This is the terminal to deliver the frequency dividing ratio change over output signal to the pre-scaler (IC6 RVITD6104P). 30 μsec, 6 V, 0 V [Example] FM 100 MHz
14~17	M1~M4	Memory addressing input terminals. When the desired program switch (S7, S8, S9 or S10) is pressed in the memory set ready condition, the corresponding terminal (M1, M2, M3 or M4) goes "L". At this time the reception frequency data is stored. The stored data can be read by simply pressing the corresponding program switch (S7, S8, S9 or S10).	39	AM IN	AM programmable counter input terminal. The AM local oscillation signal is directly applied from pin 8 of IC301 (PVIUPC1215VE) to the AM IN terminal in the AM mode. 7 μsec, 4 V, 0 V [Example] AM 1000 kHz
20~22	CK-1 CK-2 Data	Reception frequency data and timing signal output terminals. A cycle of data and signal is serially delivered only when the reception frequency is altered, i.e., when the UP/DOWN key is pressed, the memory is read, or the band is changed. The timing signals for data signal reading are delivered from the CK-1 (pin 20) and CK-2 (pin 21) terminals. The reception frequency data is delivered from the DATA terminal (pin 22). [Example] AM 1000 kHz [Example] FM 100 MHz	40	INH	Inhibit input terminal. When the power is turned on, the voltage rising time at the INH terminal (pin 40) is delayed for a certain time [the time constant of R90 (100 kΩ) and C94 (1 μF)]. The band mode selection data is read during this rising time.
34	DO-1	Phase comparator output terminal. When the phase of the frequency-divided output of the programmable counter lags behind the reference frequency, the output at the phase comparator output terminal goes "L" for the period corresponding to the phase difference. When the counter output leads, the comparator output goes "H" for the period corresponding to the phase difference.	42	VDD	A voltage of 5 V±0.5 V supply to this terminal during device operation.
36	Mute	Muting output terminal. The muting output is delivered from the MUTE terminal at the time of key operation and other cases.			

AUDIO SYSTEM CONNECTION



- IC BL
- IC1 A
- IC2 F
- IC8 F
- IC9 F
- IC4 F
- IC5 F
- IC6 F

Fig. 27

IO SYSTEM CONNECTION

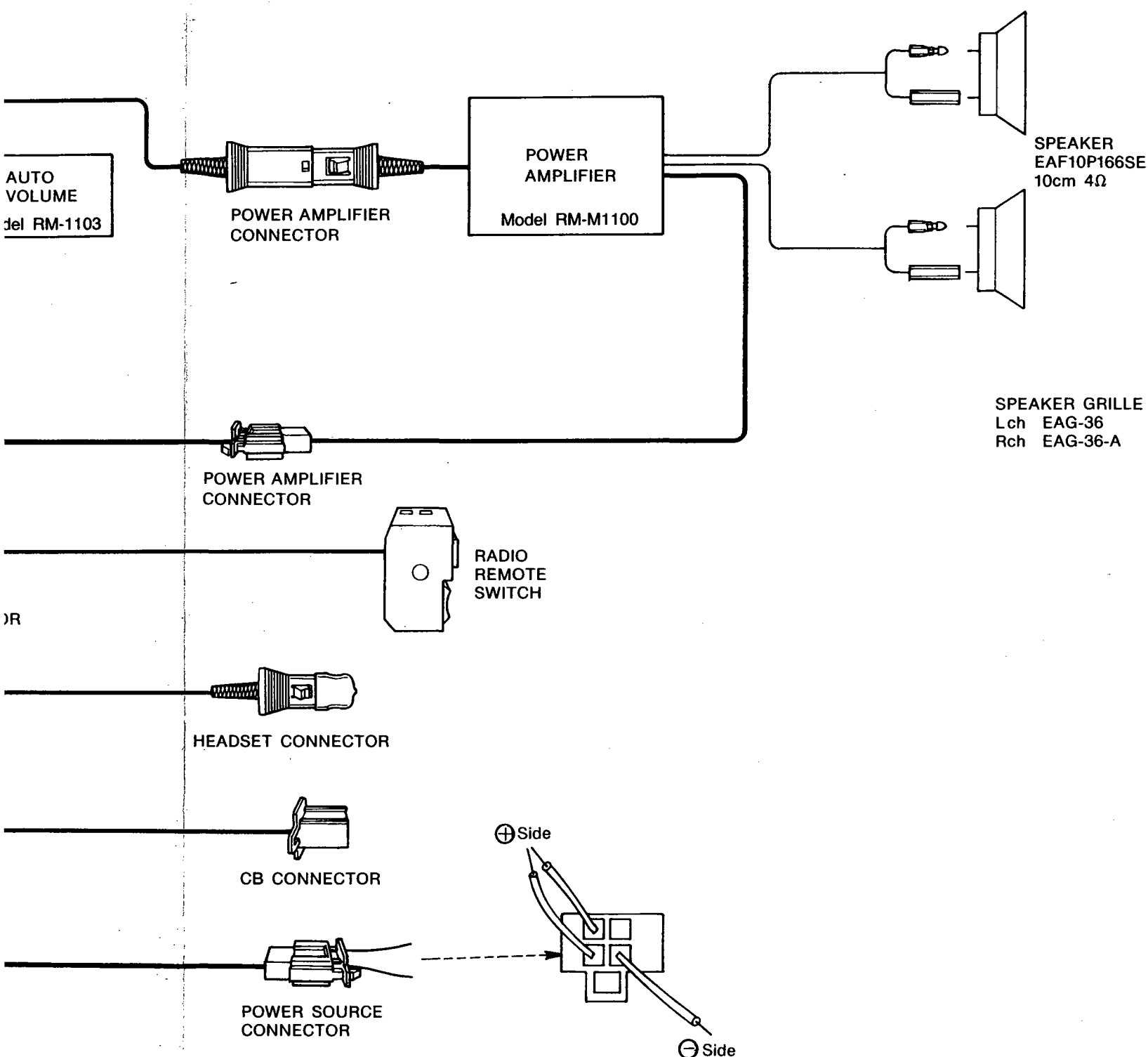
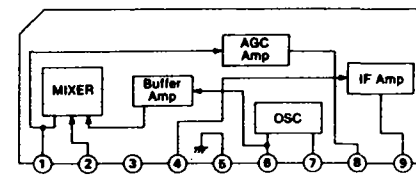


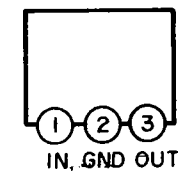
Fig. 27

IC BLOK DIAGRAM

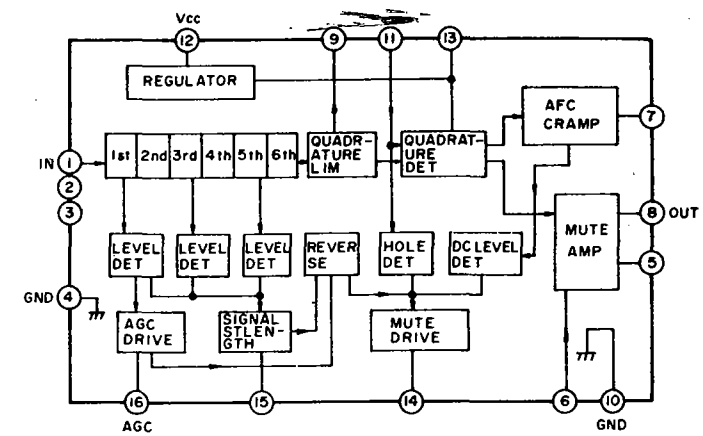
IC1 AN7254



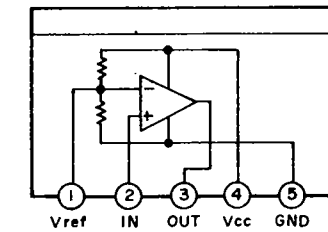
IC2 RVIUPC78L08
IC8 RVITA78L006P
IC9 RVIUPC78L05A



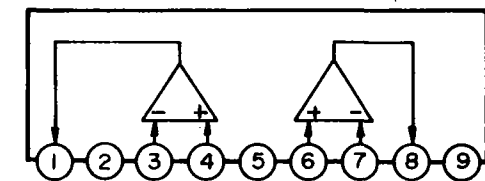
IC3 RVILA1140



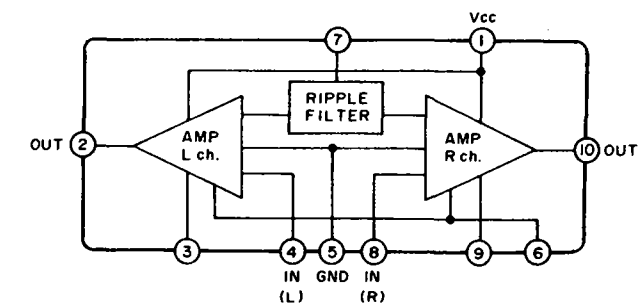
IC10 RVIM51203L



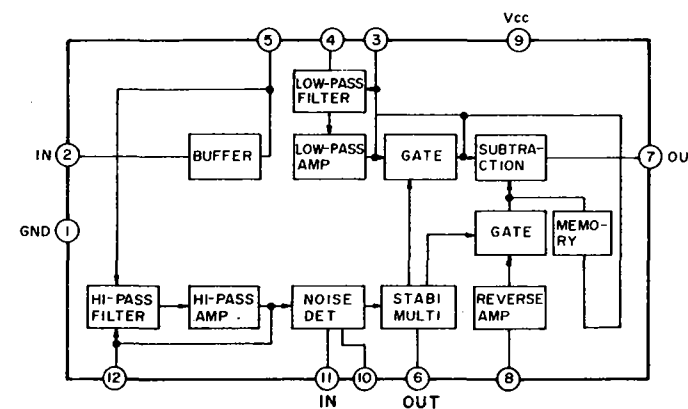
IC11 AN6550



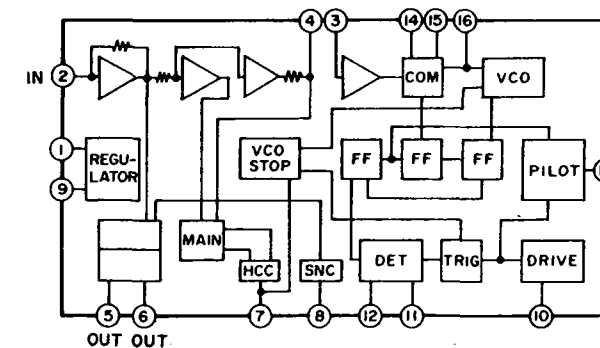
IC12 RVITA7230P



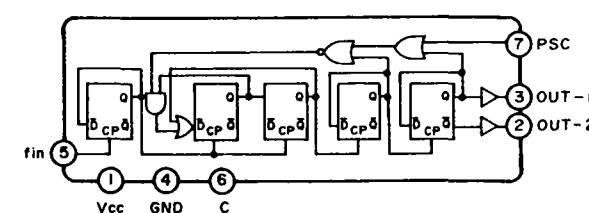
IC4 RVISTK2110D



IC5 RVILA3375



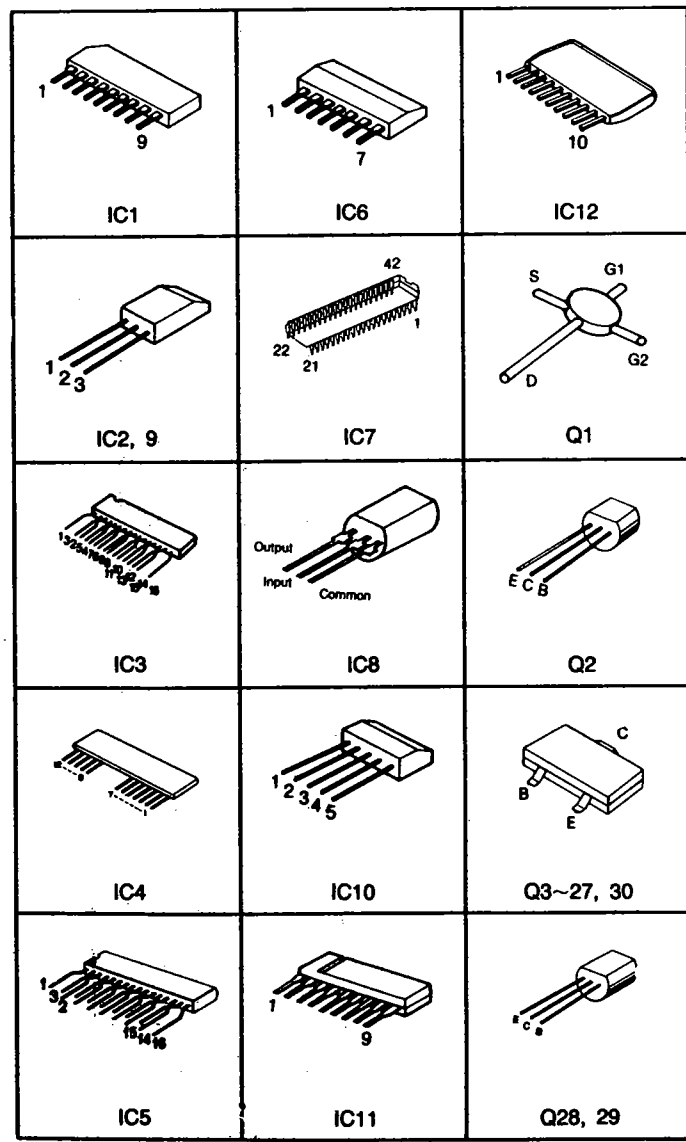
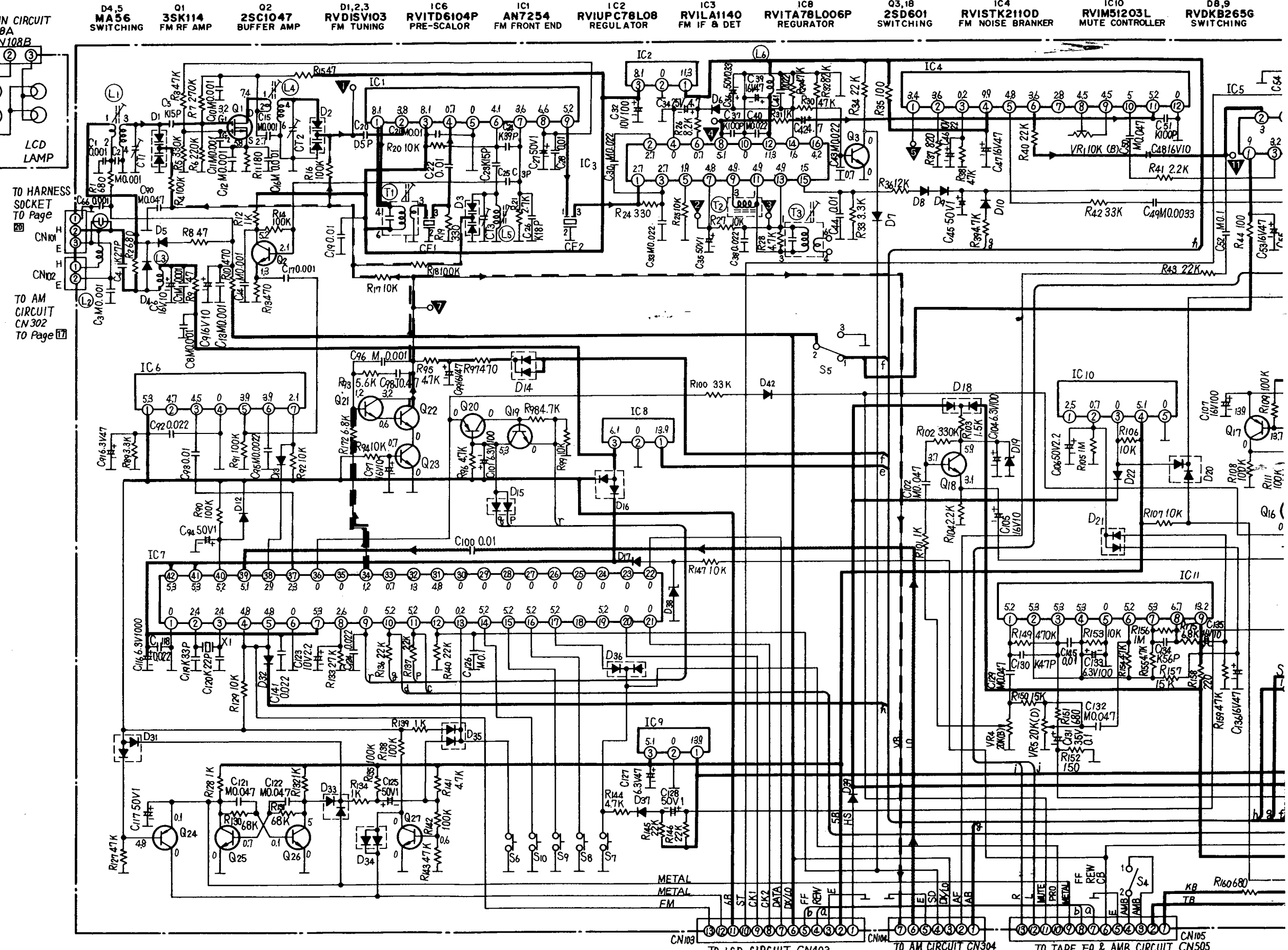
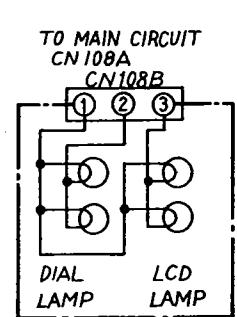
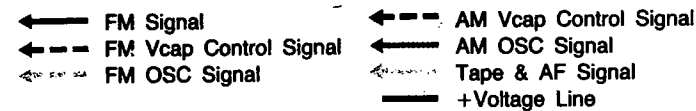
IC6 RVITD6104P



SCHEMATIC DIAGRAM (MAIN) MODE

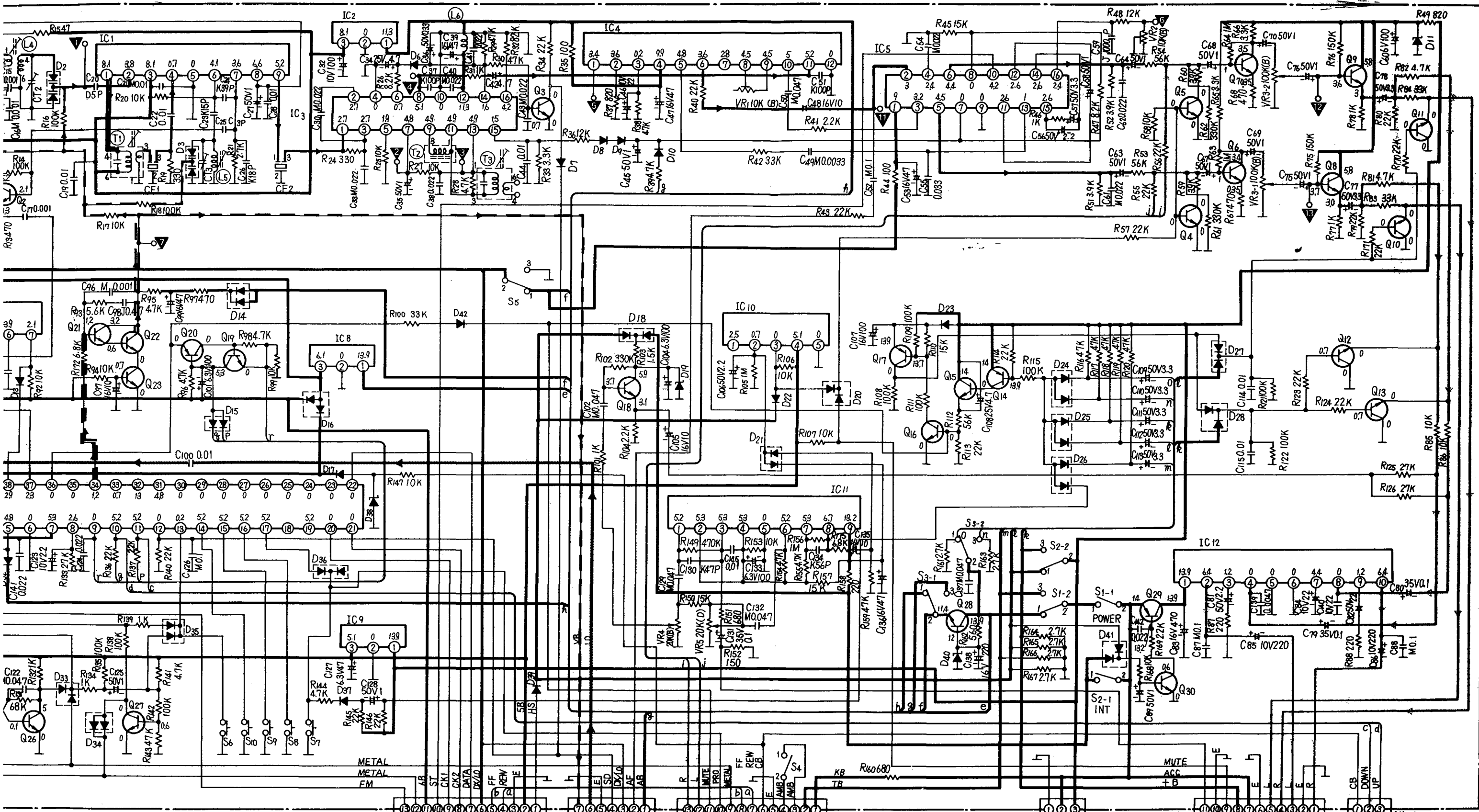
Notes:

1. S1-1: Power switch in "OFF" position.
2. S1-2: Radio/Tape switch in "RADIO" position. (1...RADIO, 3...TAPE)
3. S2-1: Intercom switch "OFF" position.
4. S2-2: Speaker/Headset switch in "Headset" position. (1...Headset, 3...Speaker)
5. 3-1, 3-2: Band switch in "FM" position. (1...FM, 3...AM)
6. S4: Ambience switch in "OFF" position.
7. S5: Sensitivity switch in "LOCAL" position. (1...LOCAL, 2...DX)
8. S6: Memory/Metal switch.
9. S7: Preset ch1/program switch
10. S8: Preset ch2 switch.
11. S9: Preset ch3 switch.
12. S10: Preset ch4 switch.
13. DC Voltage measurements are taken with electronic voltmeter from negative voltage line.
 - FM position.
14. VR1: Separation adjustment VR
 VR2: Pilot VCO adjustment VR
 VR3: Volume control VR
 VR4: Intercom control VR
 VR5: Muting level control VR



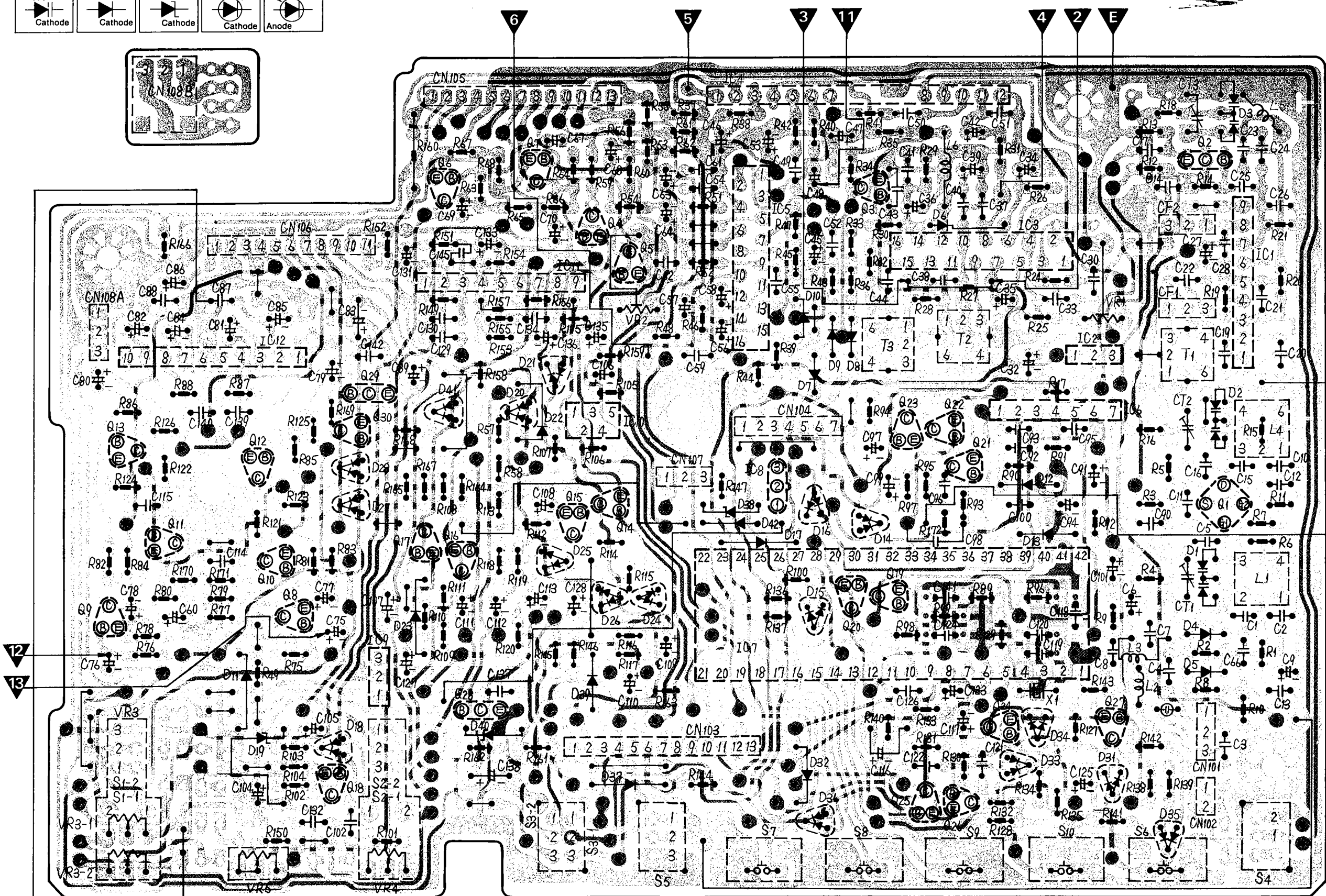
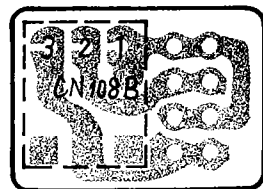
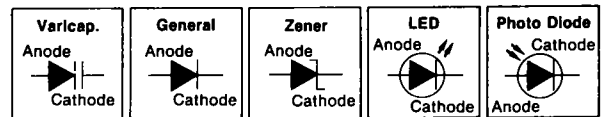
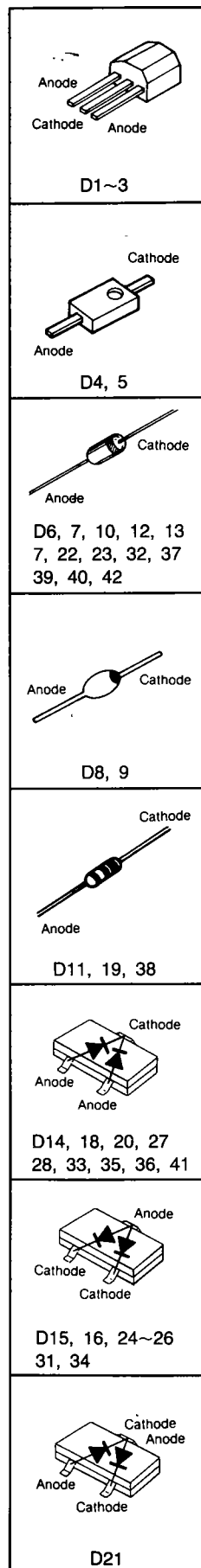
SCHEMATIC DIAGRAM (MAIN) MODEL RM-1100

- D2, D1047 ER AMP
- D1,2,3 RVDISV103 FM TUNING
- IC6 RVITD6104P PRE-SCALOR
- IC1 AN7254 FM FRONT END
- IC2 RVIUCP78L08 REGULATOR
- IC3 RVILA1140 FM IF & DET
- IC8 RVITA78L006P REGULATOR
- Q3,18 2SD601 SWITCHING
- IC4 RVISTK2110D FM NOISE BRANKER
- IC10 RVIM51203L MUTE CONTROLLER
- D8,9 RVDKB265G SWITCHING
- D18 MA151WK SWITCHING
- D19 MA1056 REGULATOR
- D10,22,23 MA150 SWITCHING
- IC5 RVILA3375 FM STEREO MPX
- Q6,7 2SD601 PRE AMP
- Q4,5,10-13 2SD601 SWITCHING
- Q8,9 2SD601 BUFFER AMP
- D11 MA1056 REGULATOR

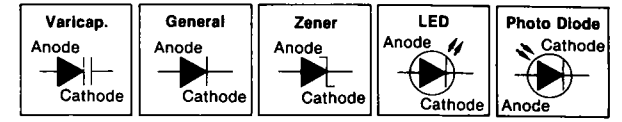
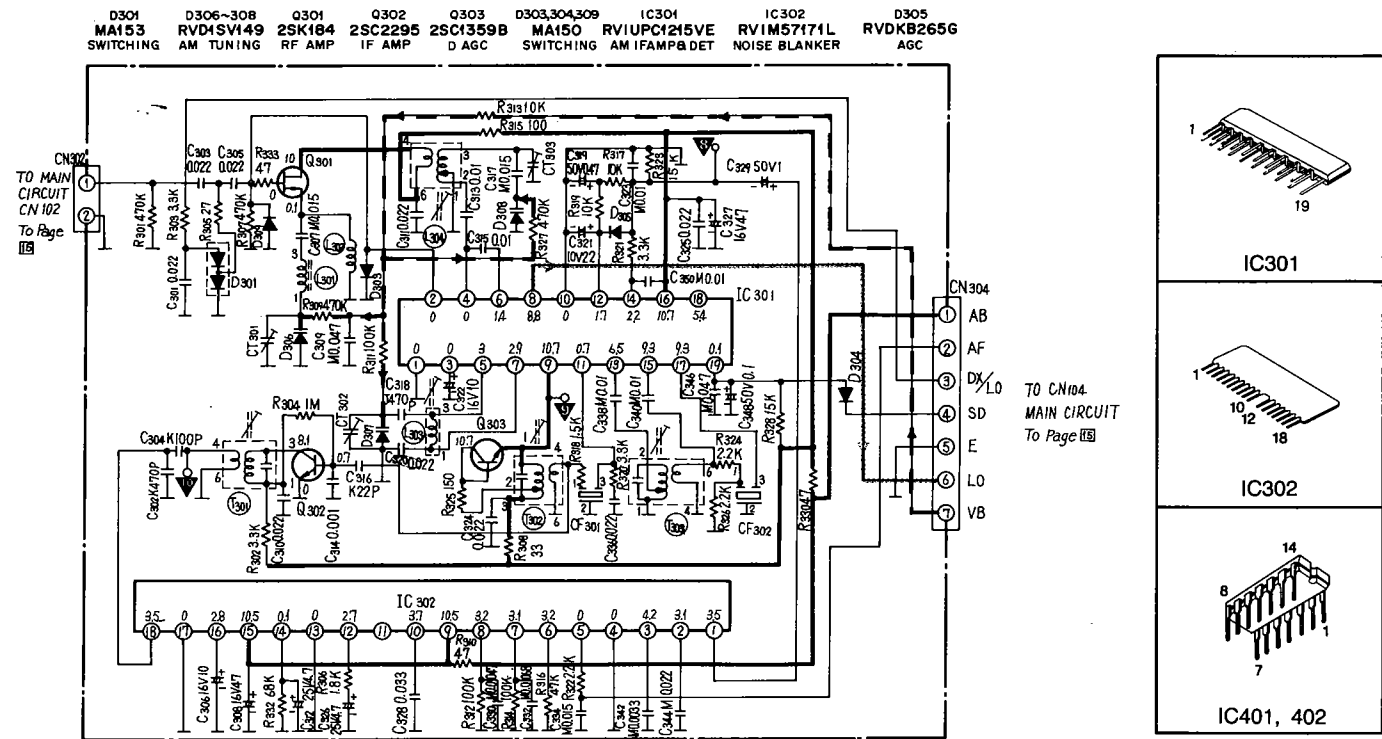


- D33,35,36 MA151WK SWITCHING
- D38 MA1056 REGULATOR
- IC7 RVITC9137P PLL & CONTROLLER
- Q19 2SD601 SWITCHING
- Q20 2SB709 SWITCHING
- Q21,22 2SC1623 LOW PASS FILTER
- Q23 TO Page 2
- IC9 RVIUCP78L05A REGULATOR
- Q11 AN6550 DUAL OPERATIONAL AMP
- Q4,17 2SB709 SWITCHING
- Q15,16 2SD601 SWITCHING
- Q28 2SC1383 REGULATOR
- D20 MA151WK SWITCHING
- D21 MA153 SWITCHING
- D40 MA120 REGULATOR
- Q29 2SA683 REGULATOR
- Q30 2SD601 SWITCHING
- IC12 RVITA7230P DUAL POWER AMP
- D24-26 MA151WA SWITCHING
- D27,28,41 MA151WK SWITCHING

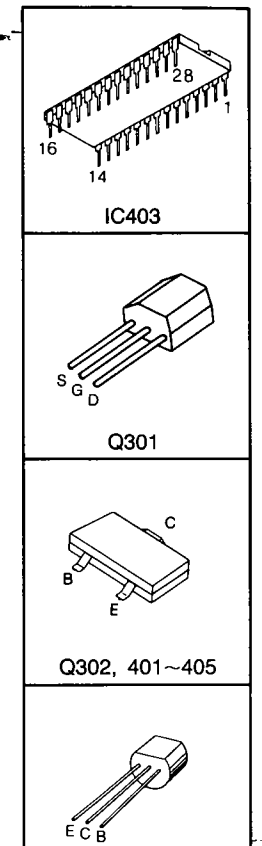
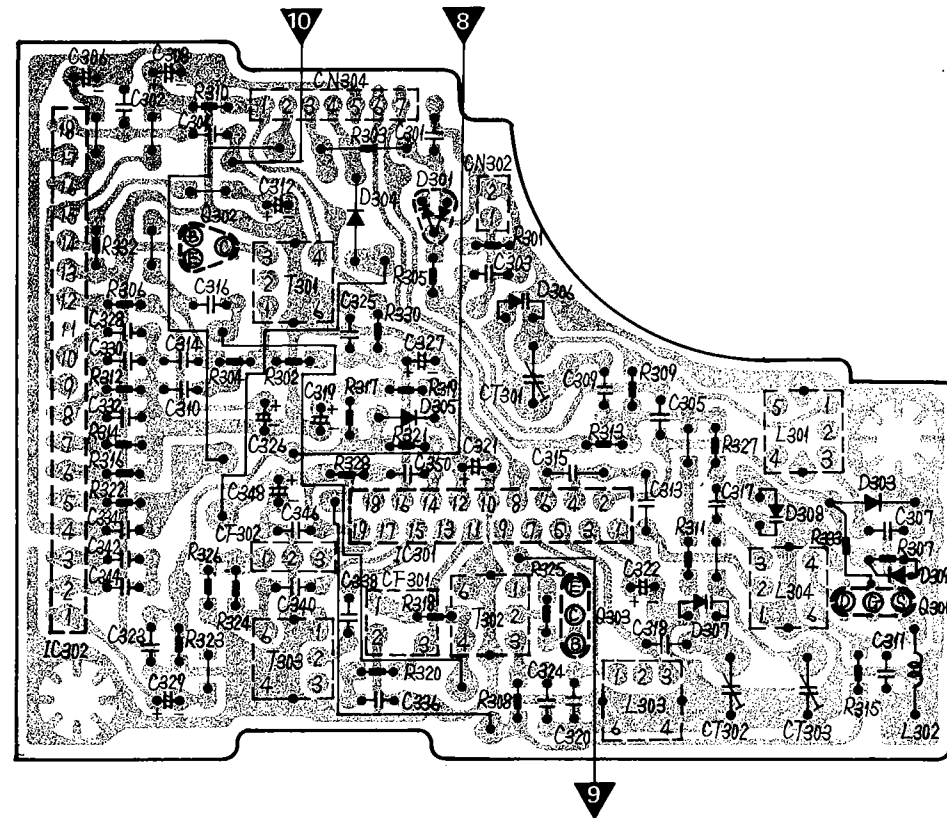
CIRCUIT BOARD (MAIN) MODEL RM-1100



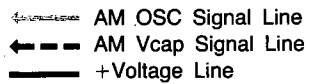
SCHEMATIC DIAGRAM (AM) MODEL RM-1100



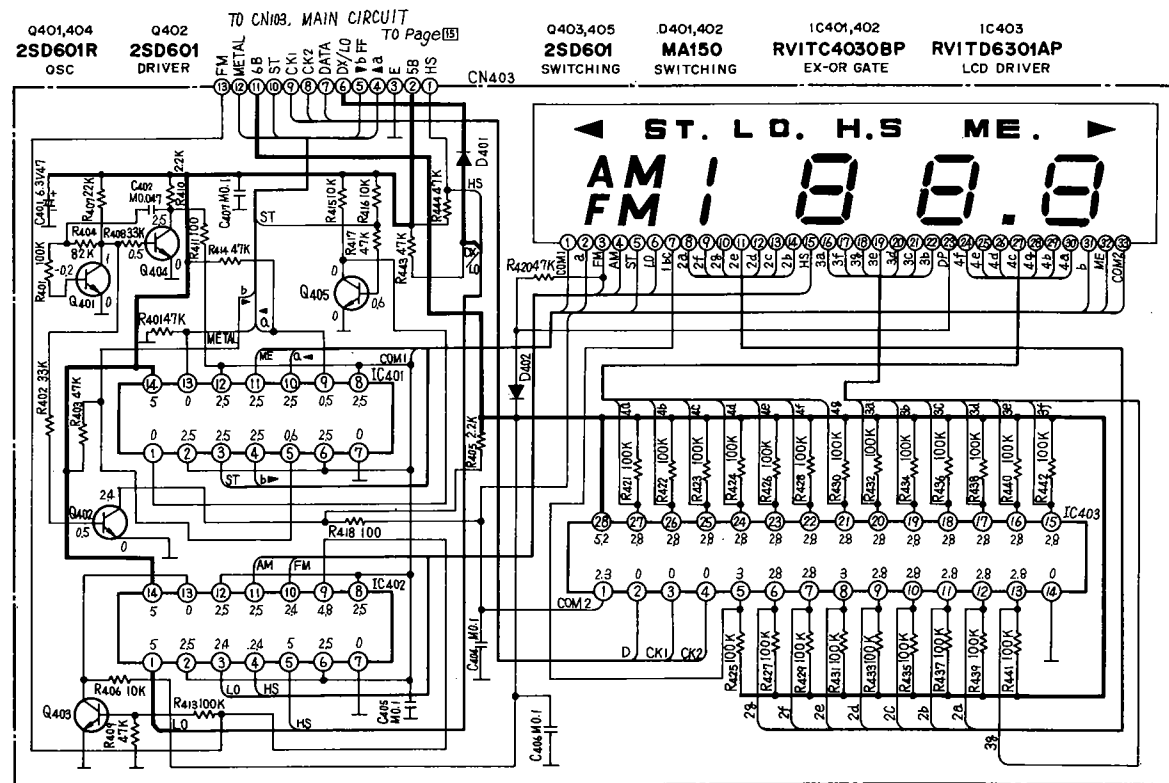
CIRCUIT BOARD (AM) MODEL RM-1100



Note:
DC voltage measurements are taken with electronic voltmeter from negative voltage line.
●AM position



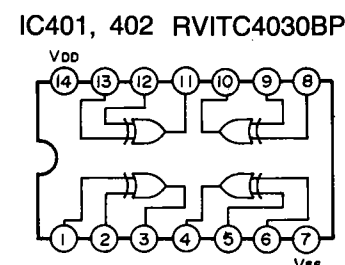
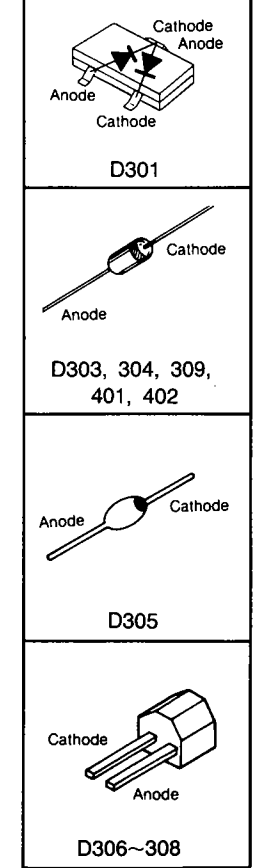
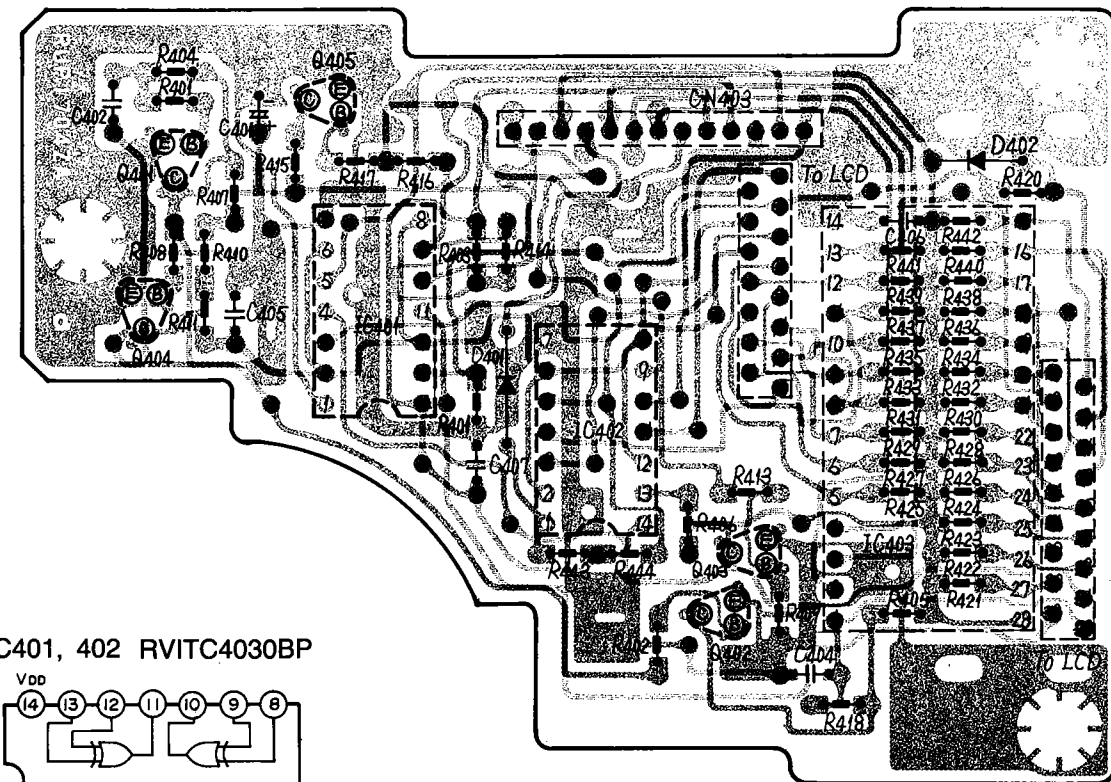
SCHEMATIC DIAGRAM (LCD) MODEL RM-1100



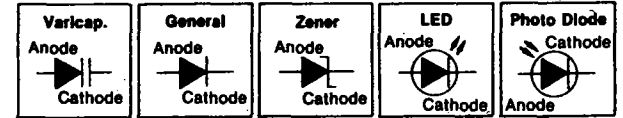
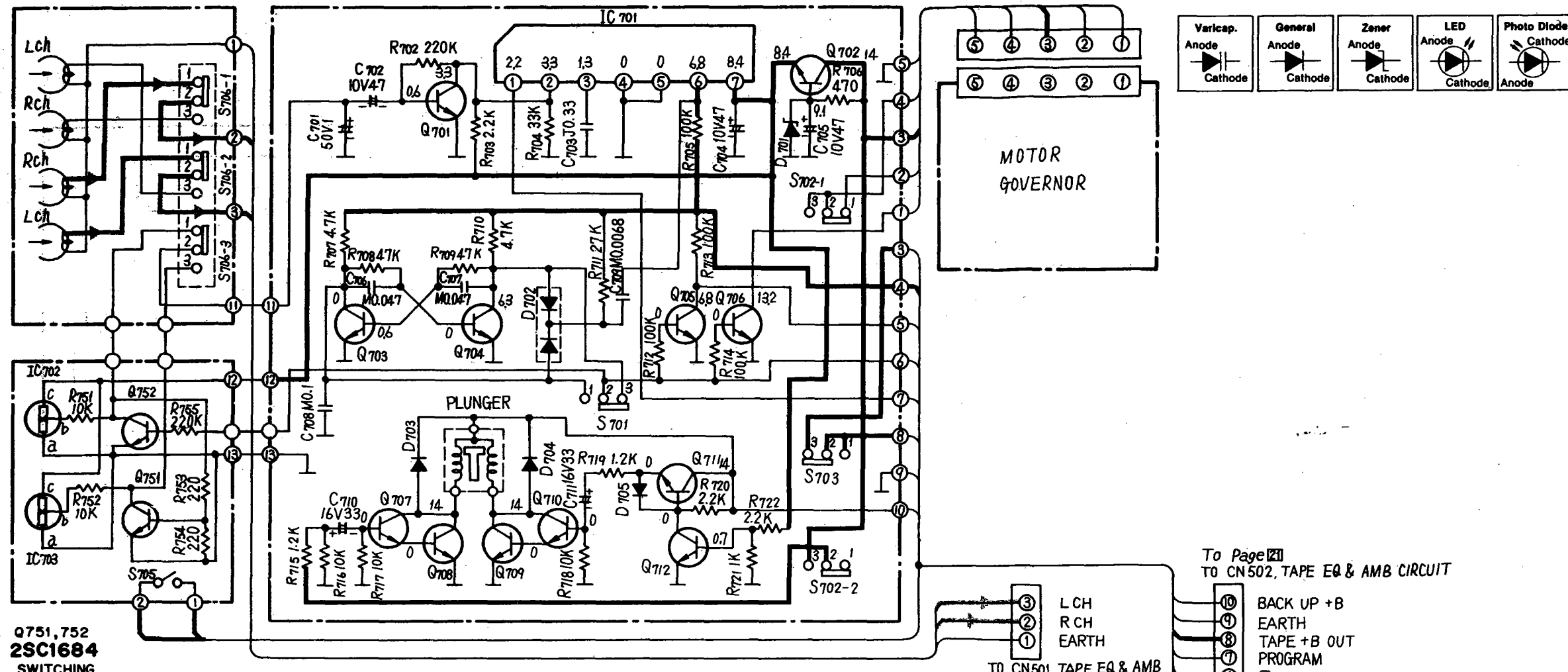
Note:
DC voltage measurements are taken with electronics voltmeter from negative voltage line.
●FM/Local/Headset position



CIRCUIT BOARD (LCD) MODEL RM-1100



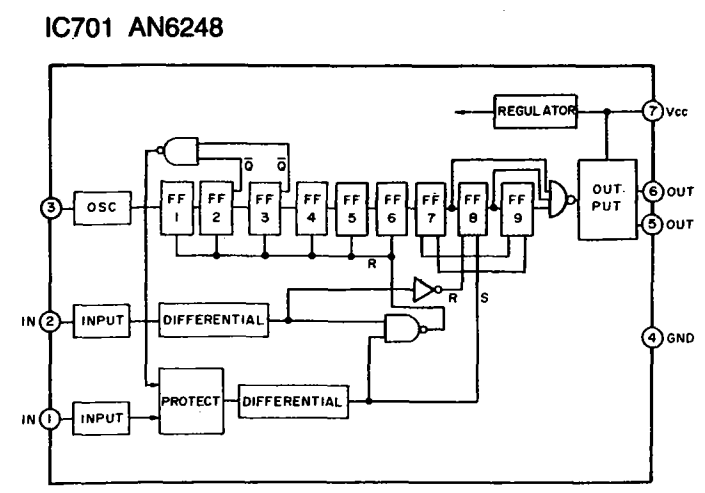
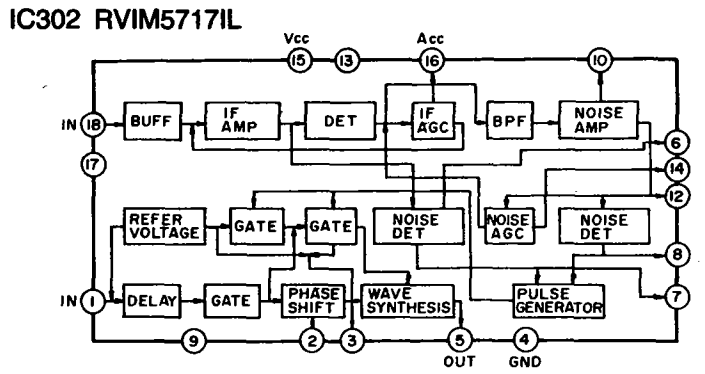
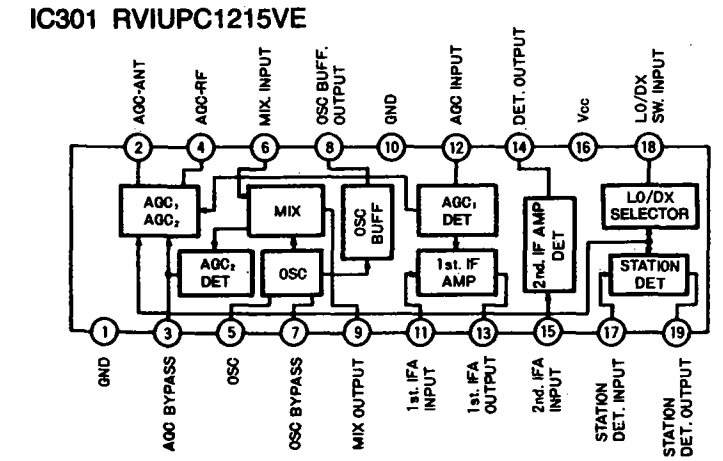
SCHEMATIC DIAGRAM (TAPE DECK) MODEL RM-1100



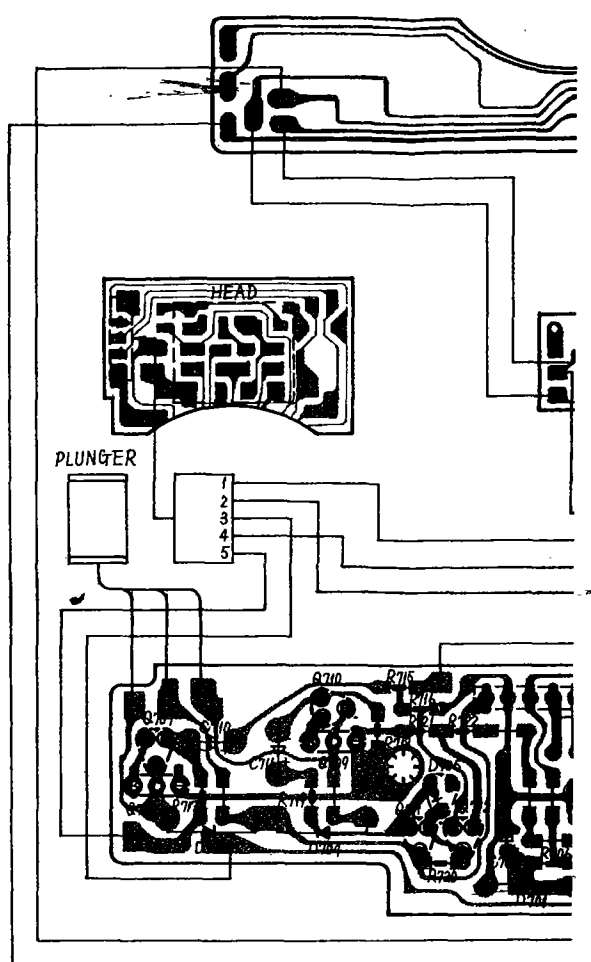
Q751, 752
2SC1684
SWITCHING

- | | | | | | | | | |
|-------------------------------------|-----------------------------|--|----------------------------------|-----------------------------------|---|-----------------------------------|------------------------------|------------------------------|
| IC702, 703
DM106
HOLE ELEMENT | Q701
2SD601
PULSE AMP | Q703-707, 710-712
2SD601
SWITCHING | Q708, 709
2SD965
SWITCHING | D703, 704
RVD10E1
PROTECTOR | IC701
AN6248
AUTO REVERSE CONTROL | D702, 705
MA151WK
SWITCHING | D701
MA1091M
REGULATOR | Q702
2SC2001
REGULATOR |
|-------------------------------------|-----------------------------|--|----------------------------------|-----------------------------------|---|-----------------------------------|------------------------------|------------------------------|

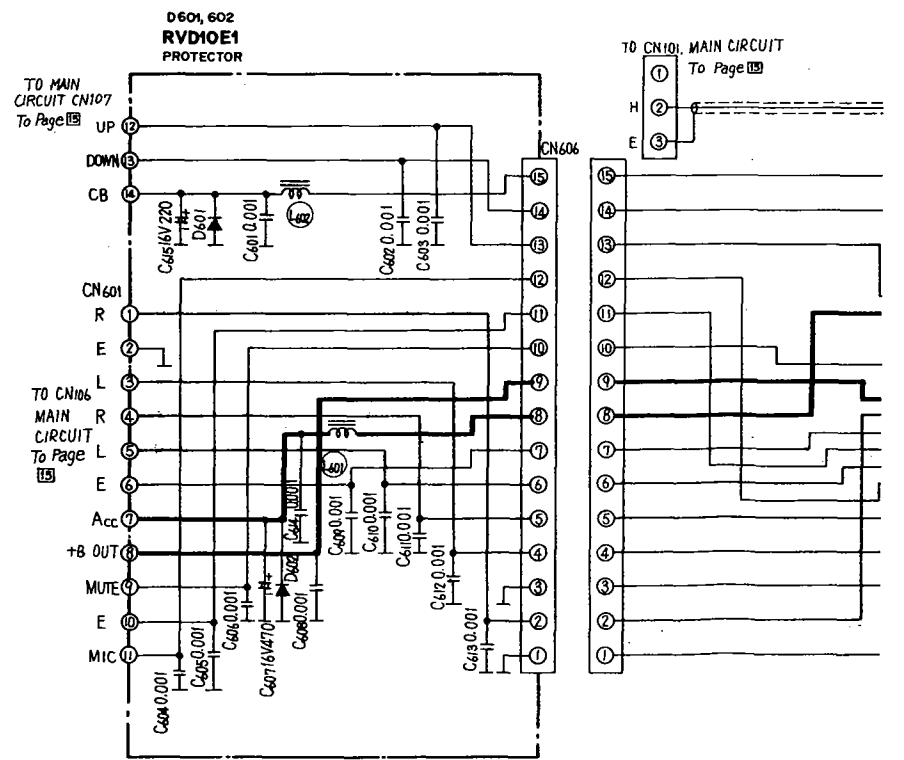
- Notes:**
- S701: Forward/Reverse switch in "Forward" position. (1...Reverse, 3...Forward)
 - S702-1, S702-2: Plunger switch in "ON" position. (1...ON, 3...OFF)
 - S703: Tape switch in "ON" position. (1...OFF, 3...ON)
 - S705: Mute switch
 - S706-1, S706-2: Head switch
 - S706-3: Hole element switch.
 - DC voltage measurements are taken with electronic voltmeter from negative voltage line.
- Tape position



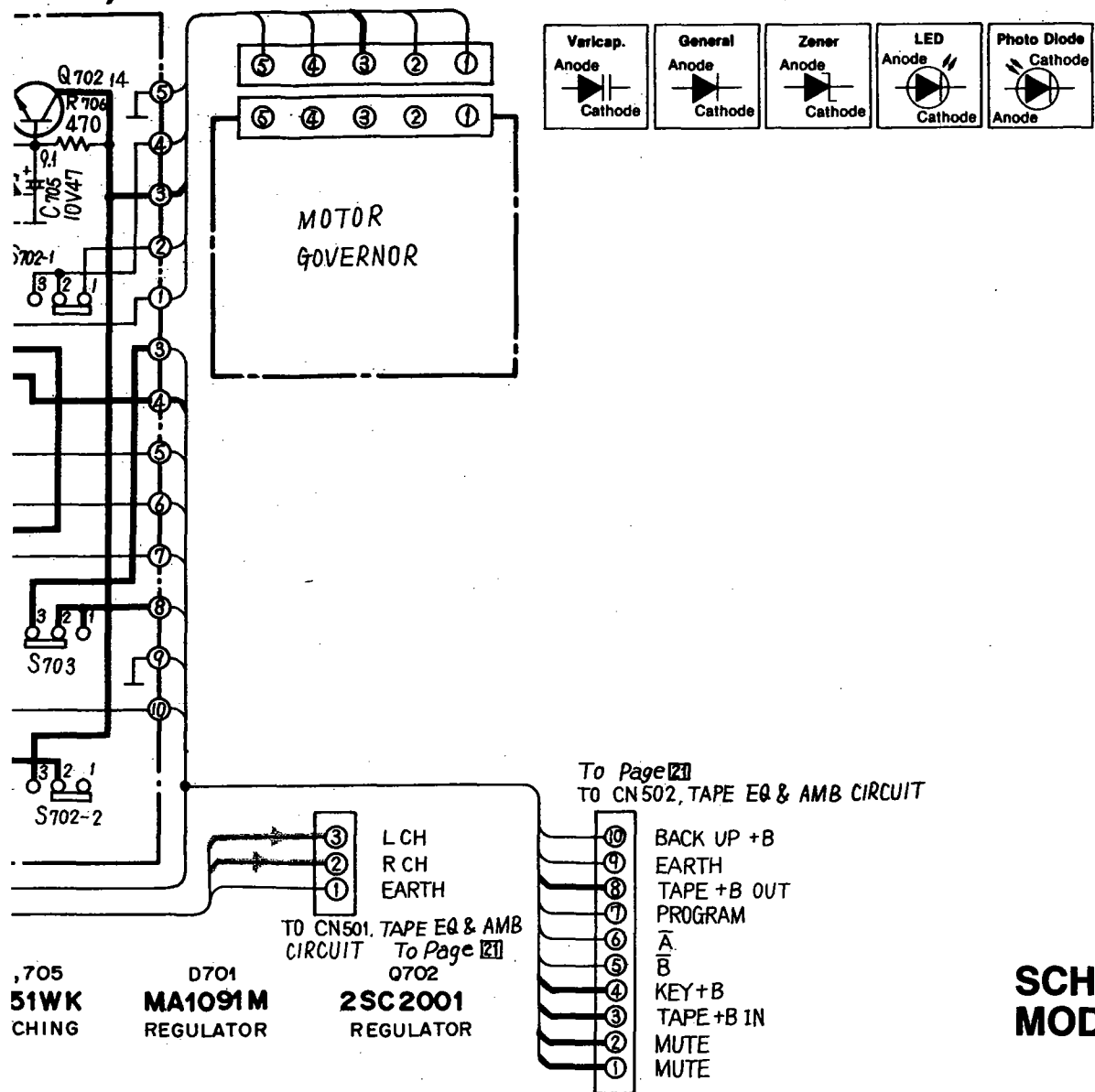
CIRCUIT BOARD



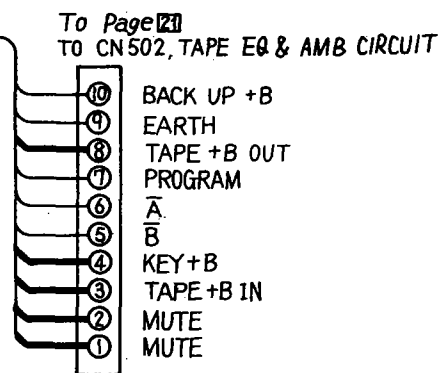
SCHEMATIC DIAGRAM (POWER SOURCE) MODEL RM-1100



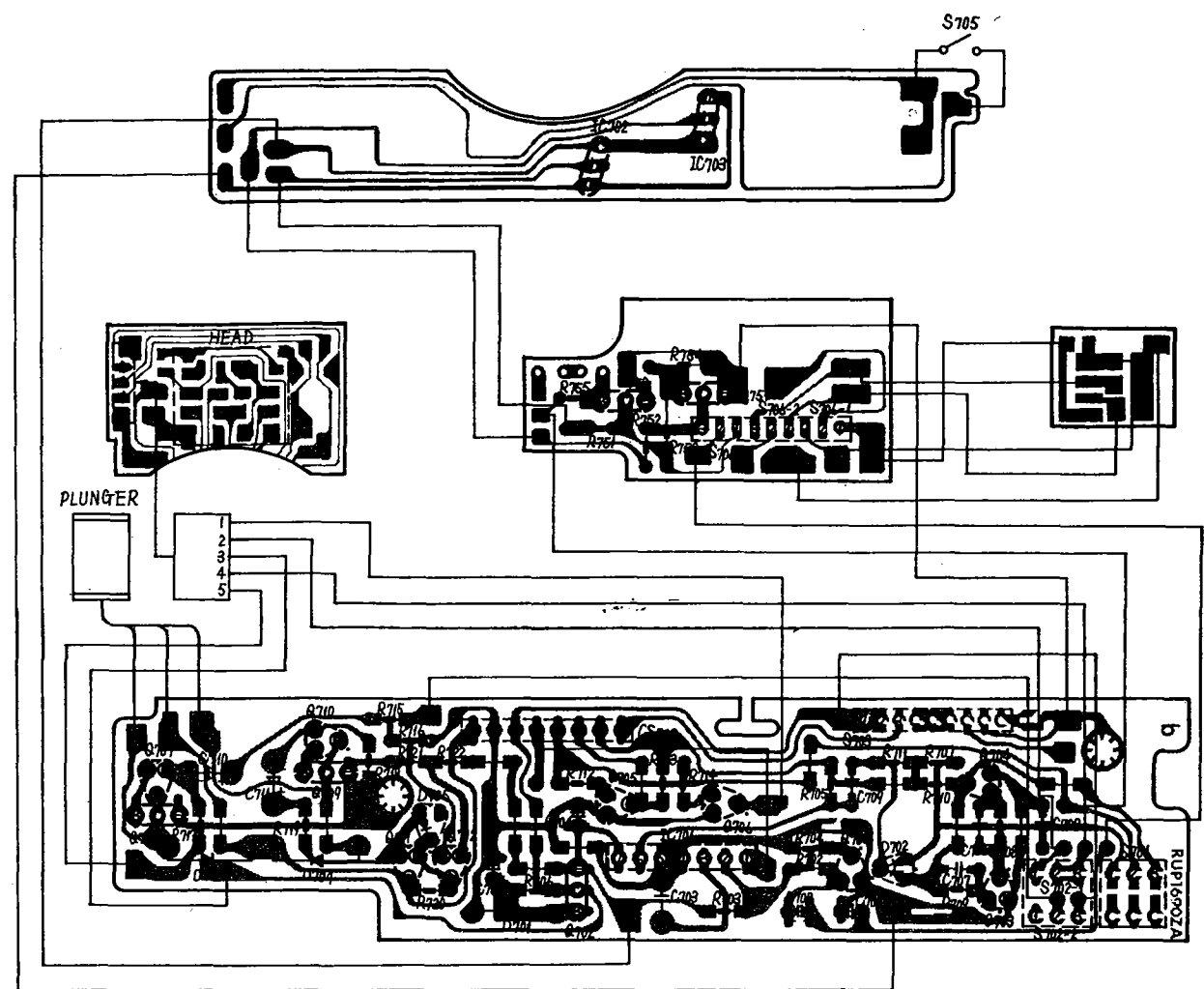
DECK) MODEL RM-1100



705 CHING
D701 MA1091M REGULATOR
2SC2001 REGULATOR



CIRCUIT BOARD (TAPE DECK) MODEL RM-1100



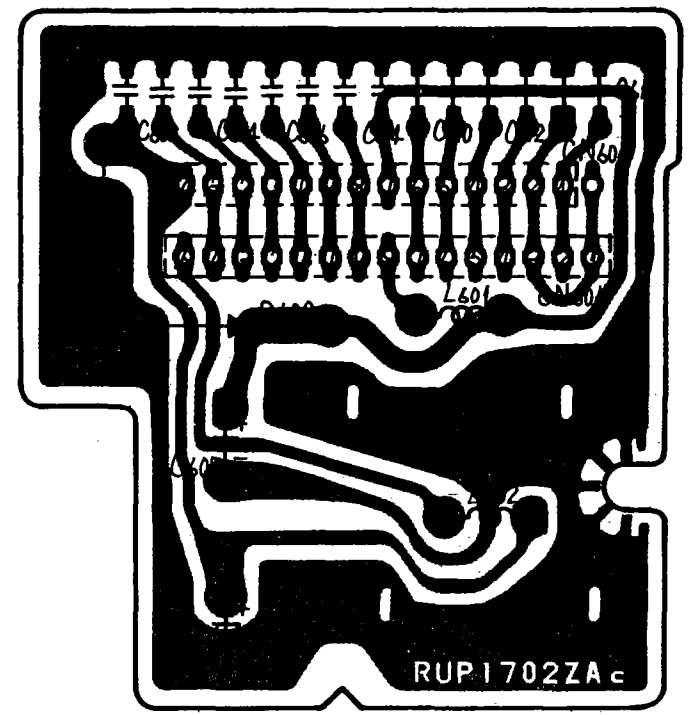
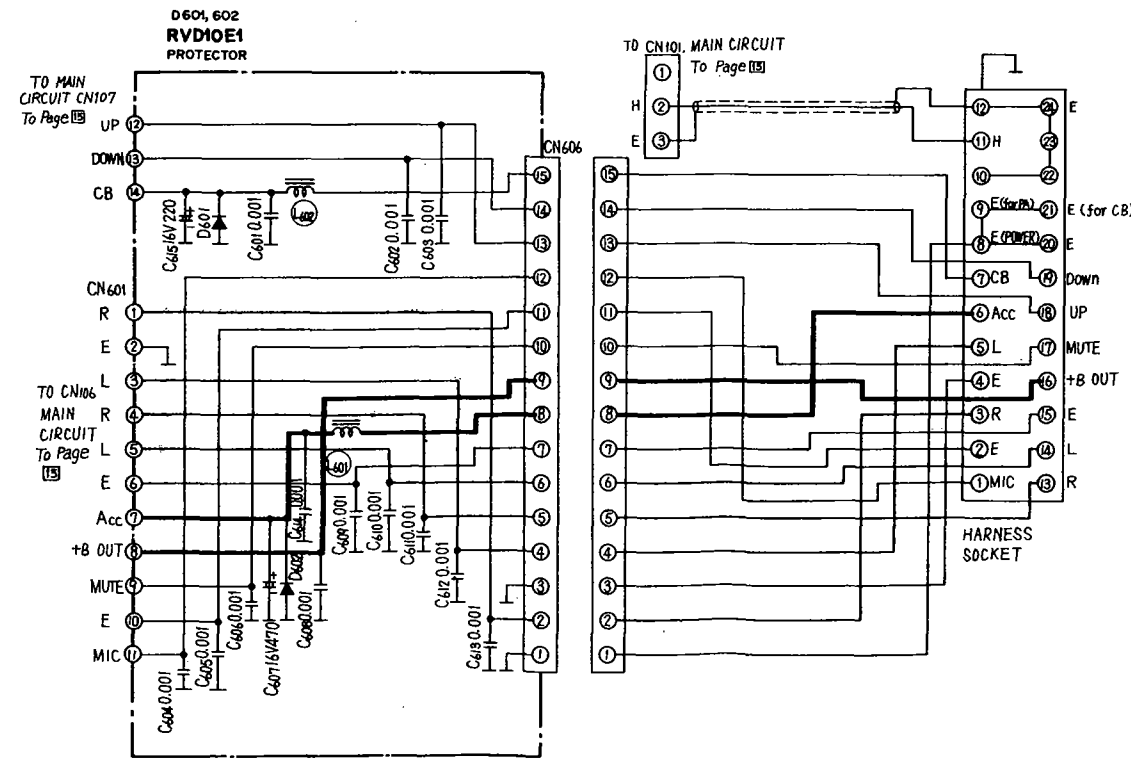
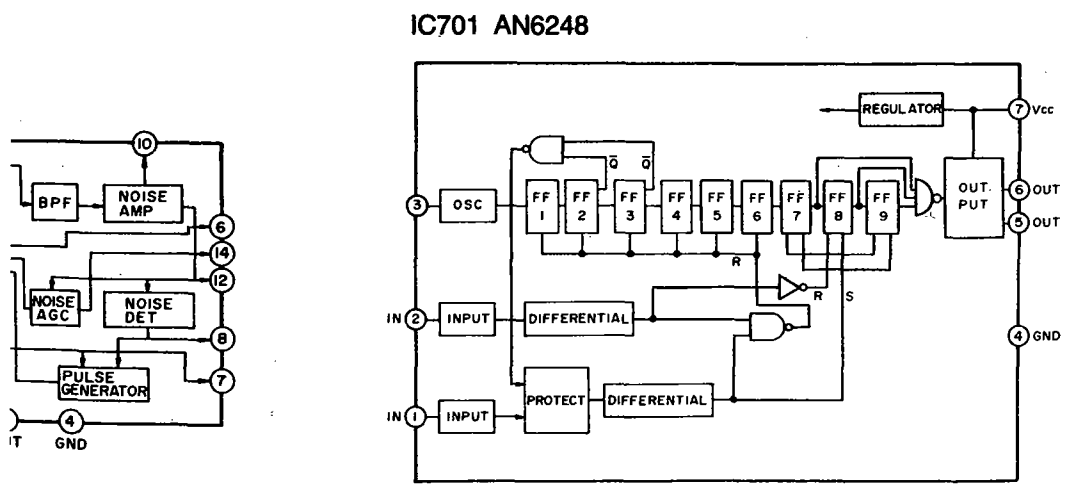
 IC701	 D701
 IC702, 703	 D702, 705
 Q701, 703-707 710-712	 D601, 602 D703, 704
 ECB	 D601, 602 D703, 704

SCHEMATIC DIAGRAM (POWER SOURCE) MODEL RM-1100

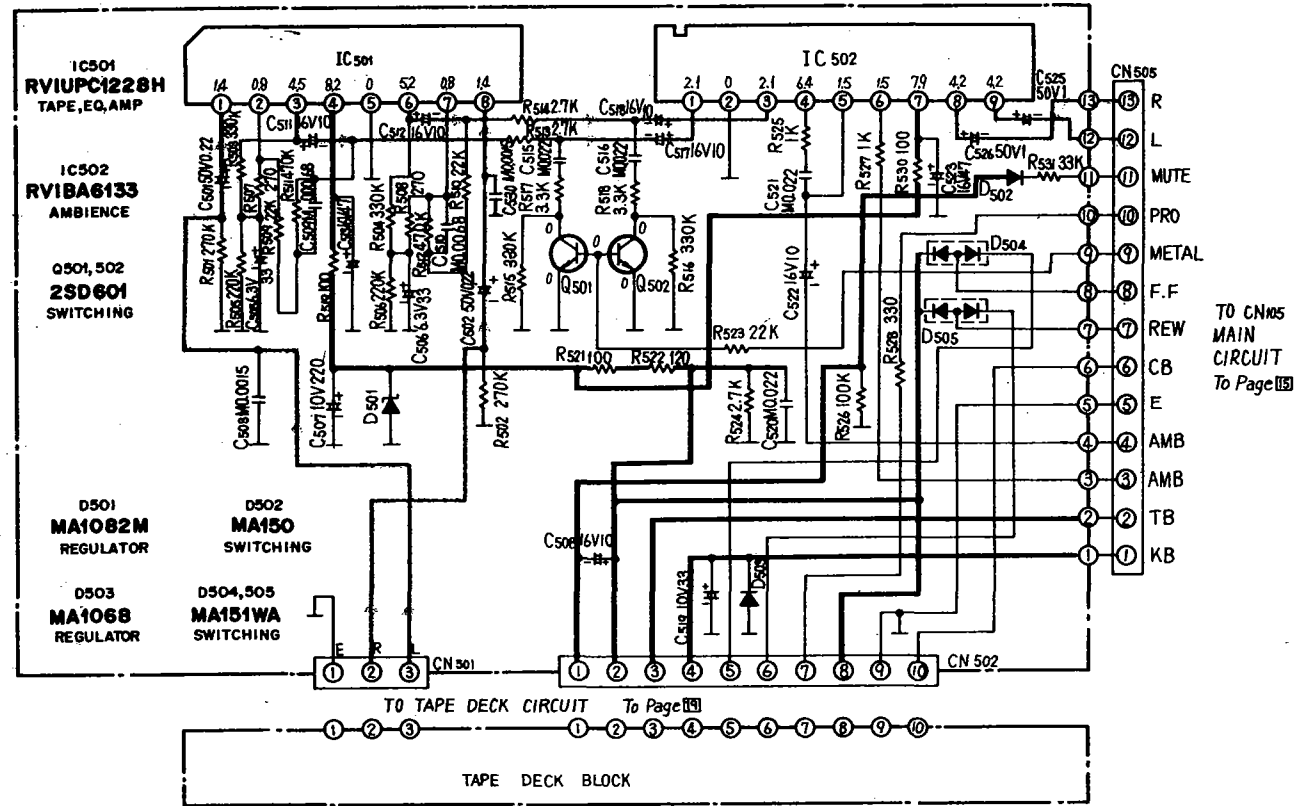
CIRCUIT BOARD (POWER SOURCE) MODEL RM-1100

Electronic voltmeter from

Tape & AF Signal
 +Voltage Line



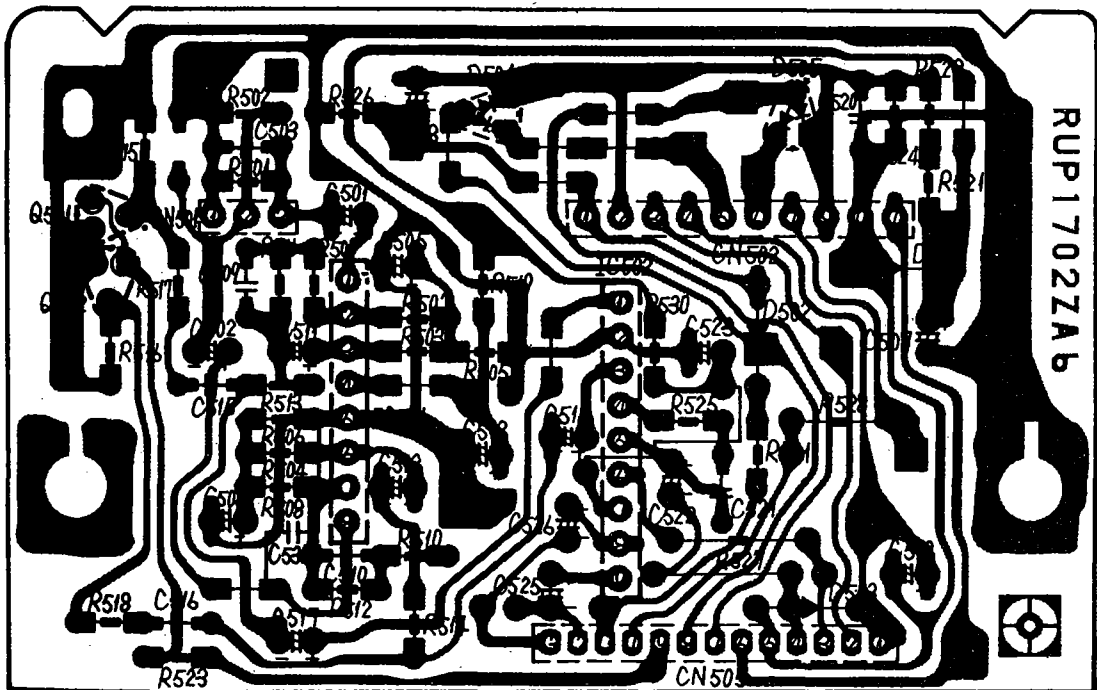
SCHEMATIC DIAGRAM (TAPE EQ & AMBIENCE) MODEL RM-1100



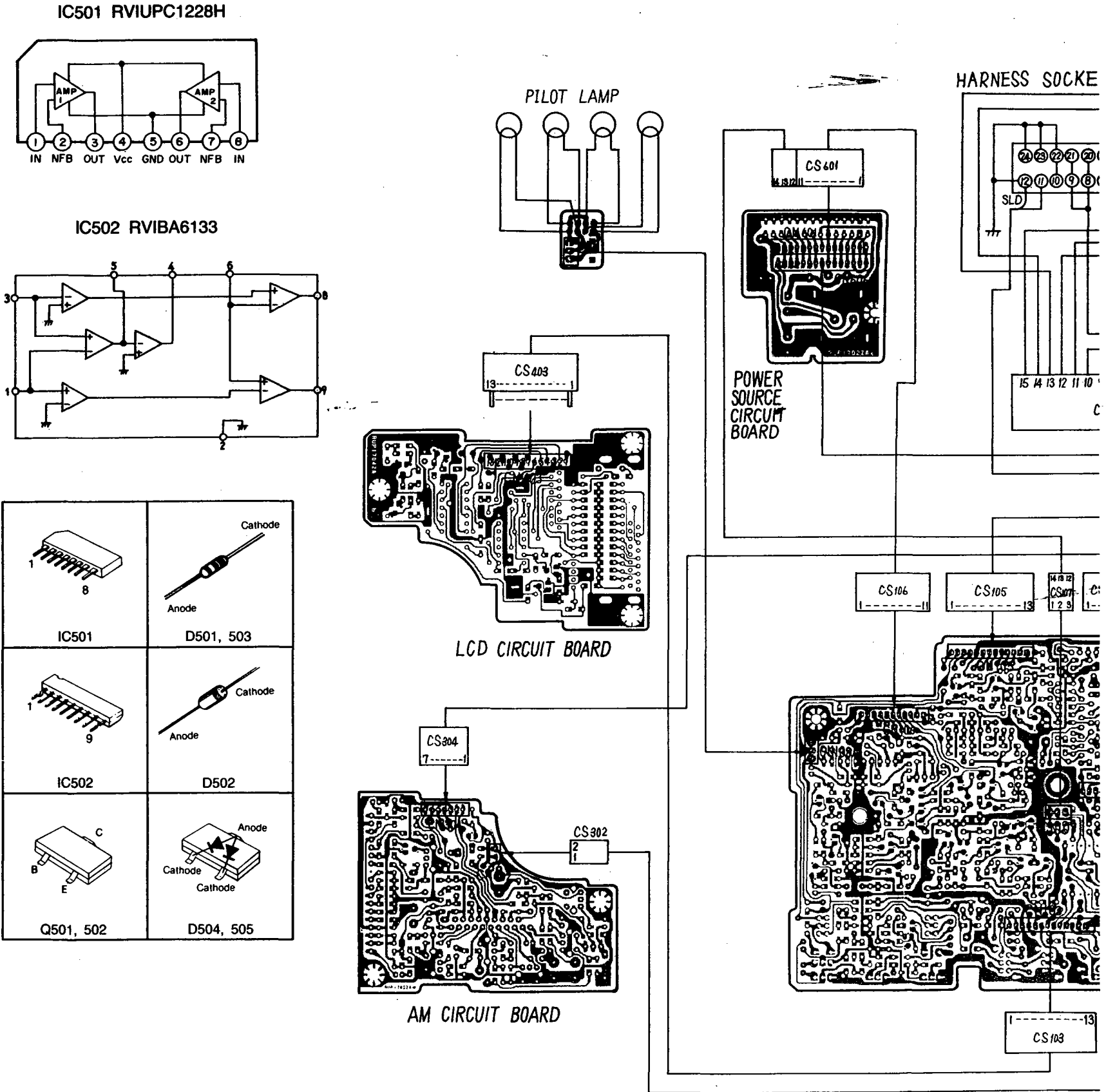
Note:
 DC voltage measurements are taken with electronic voltmeter from negative voltage line.
 •Tape position

Tape & AF Signal
 +Voltage Line

CIRCUIT BOARD (TAPE EQ & AMBIENCE) MODEL RM-1100



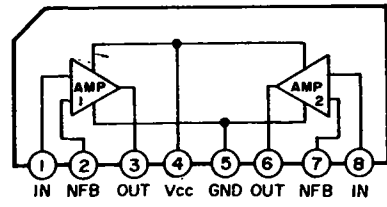
WIRING CONNECTION DIAGR.



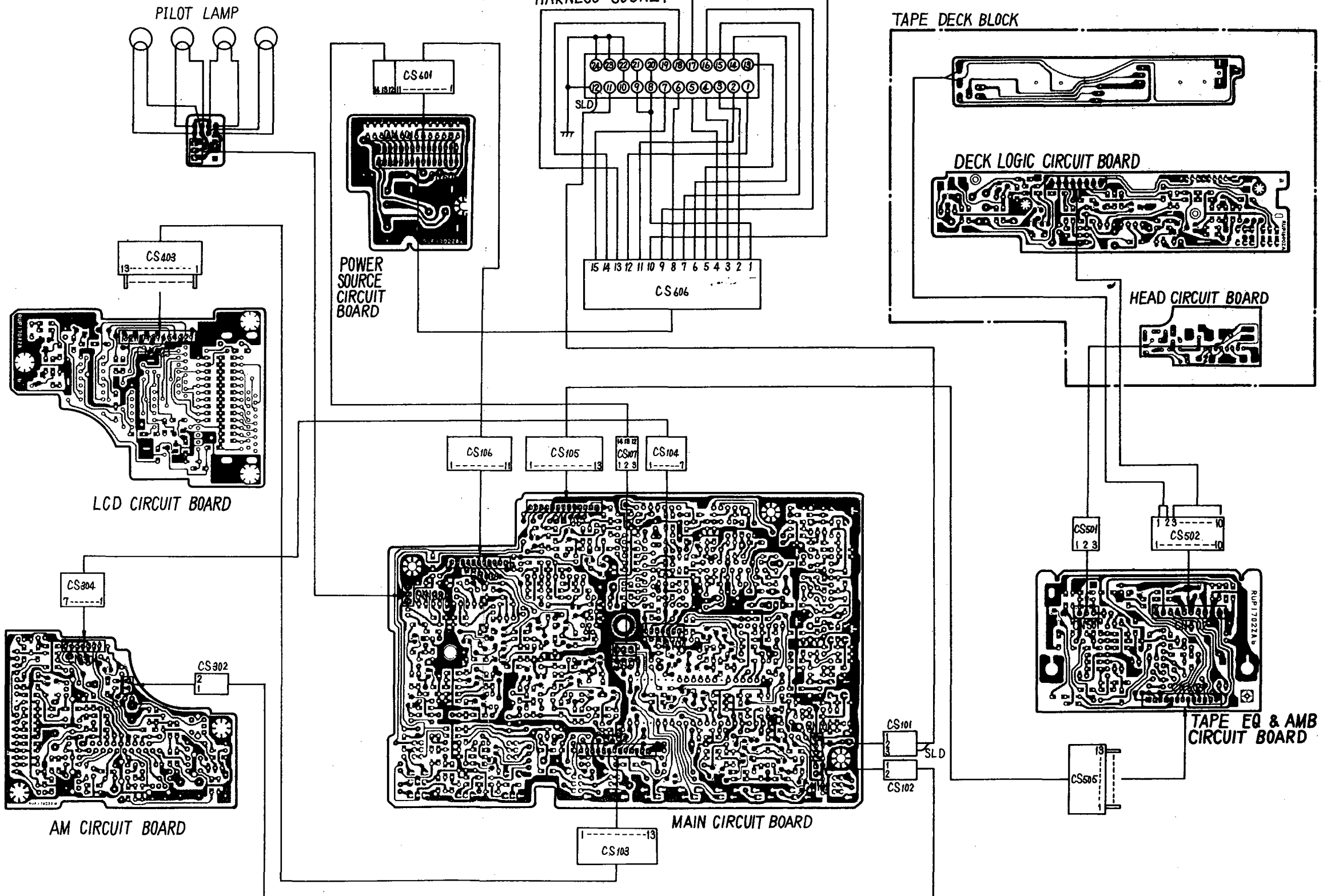
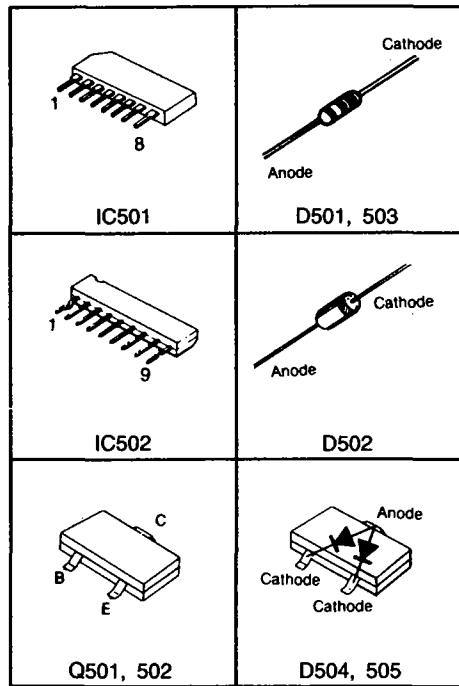
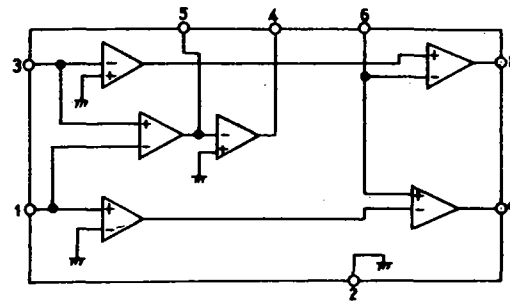
IC501	D501, 503
IC502	D502
Q501, 502	D504, 505

WIRING CONNECTION DIAGRAM MODEL RM-1100

IC501 RVIUPC1228H



IC502 RVIBA6133



NOS
UIT
ge(15)

Signal
ine

10

BLOCK DIAGRAM

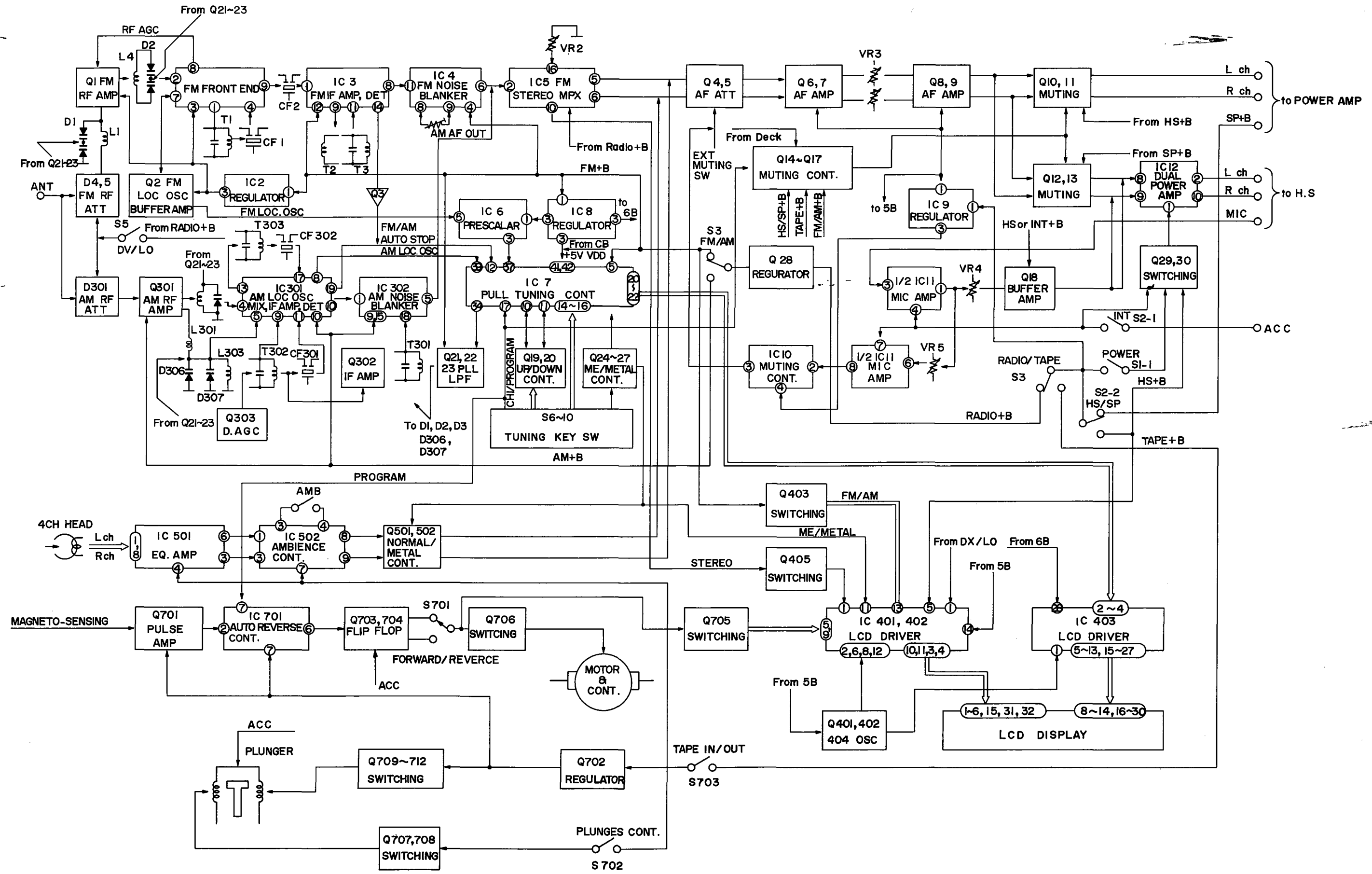


Fig. 28

MECHANISM PARTS LOCATION

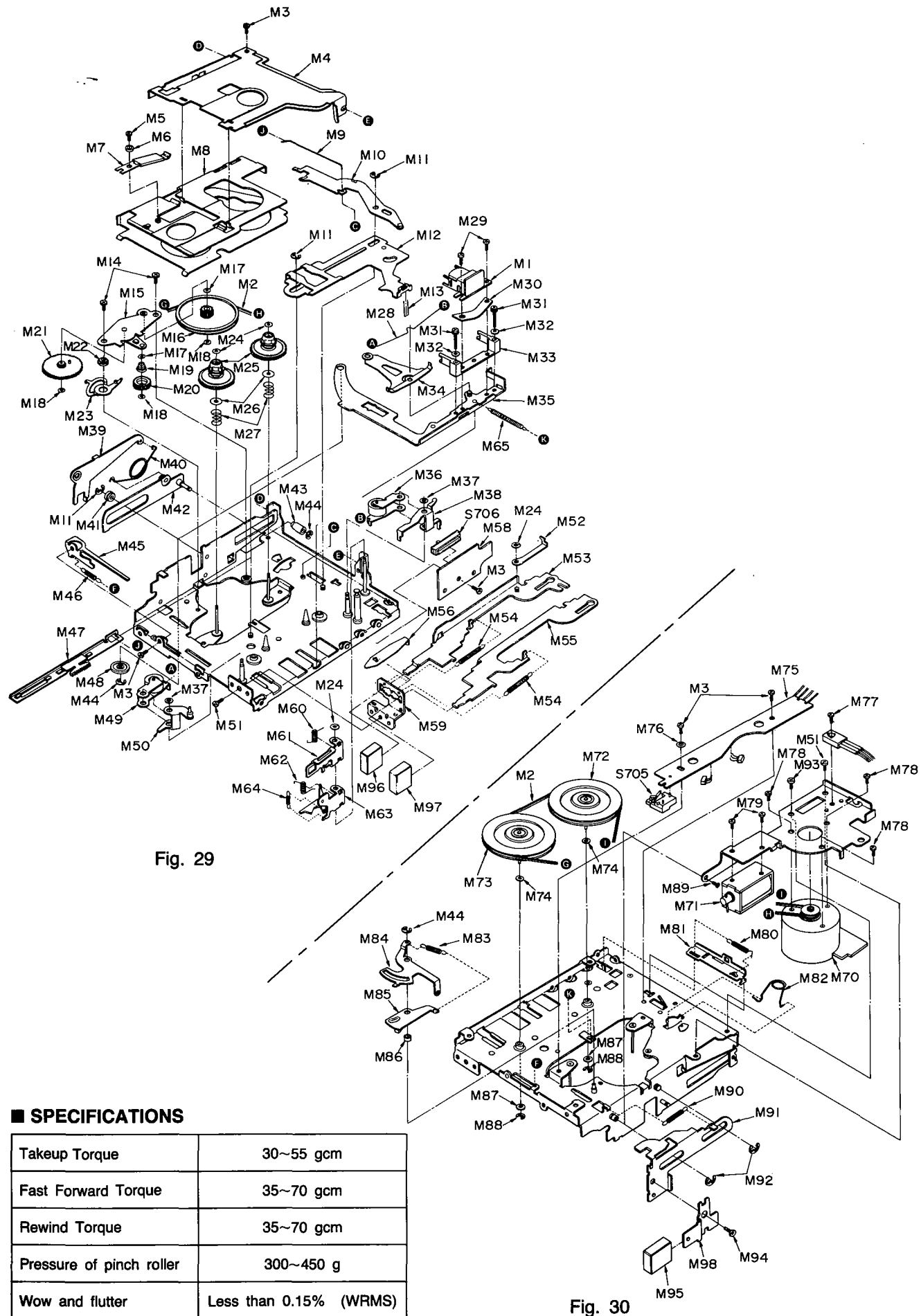


Fig. 29

Fig. 30

■ SPECIFICATIONS

Takeup Torque	30~55 gcm
Fast Forward Torque	35~70 gcm
Rewind Torque	35~70 gcm
Pressure of pinch roller	300~450 g
Wow and flutter	Less than 0.15% (WRMS)

CABINET PARTS LOCATION

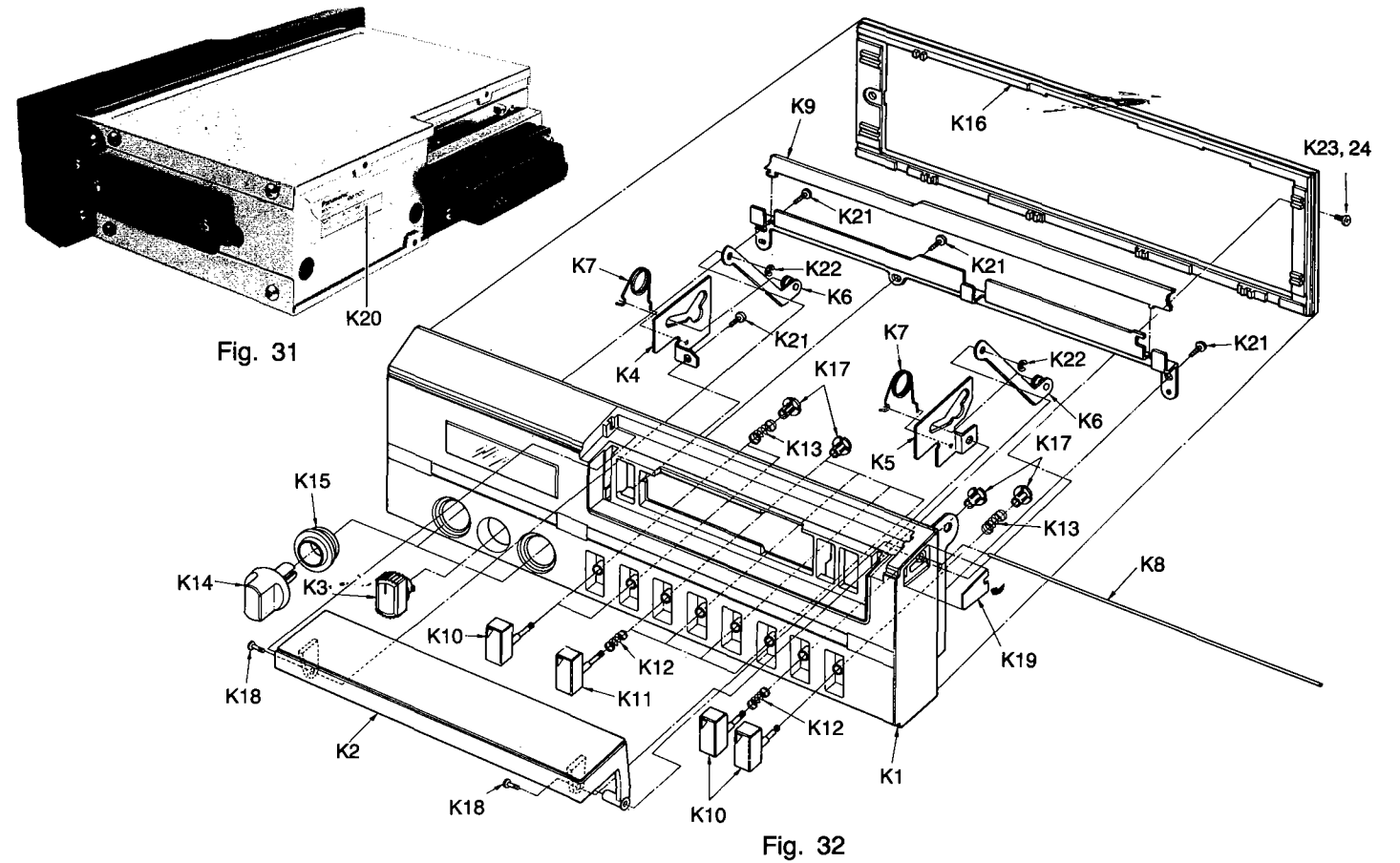


Fig. 31

Fig. 32

ELECTRICAL PARTS LOCATION

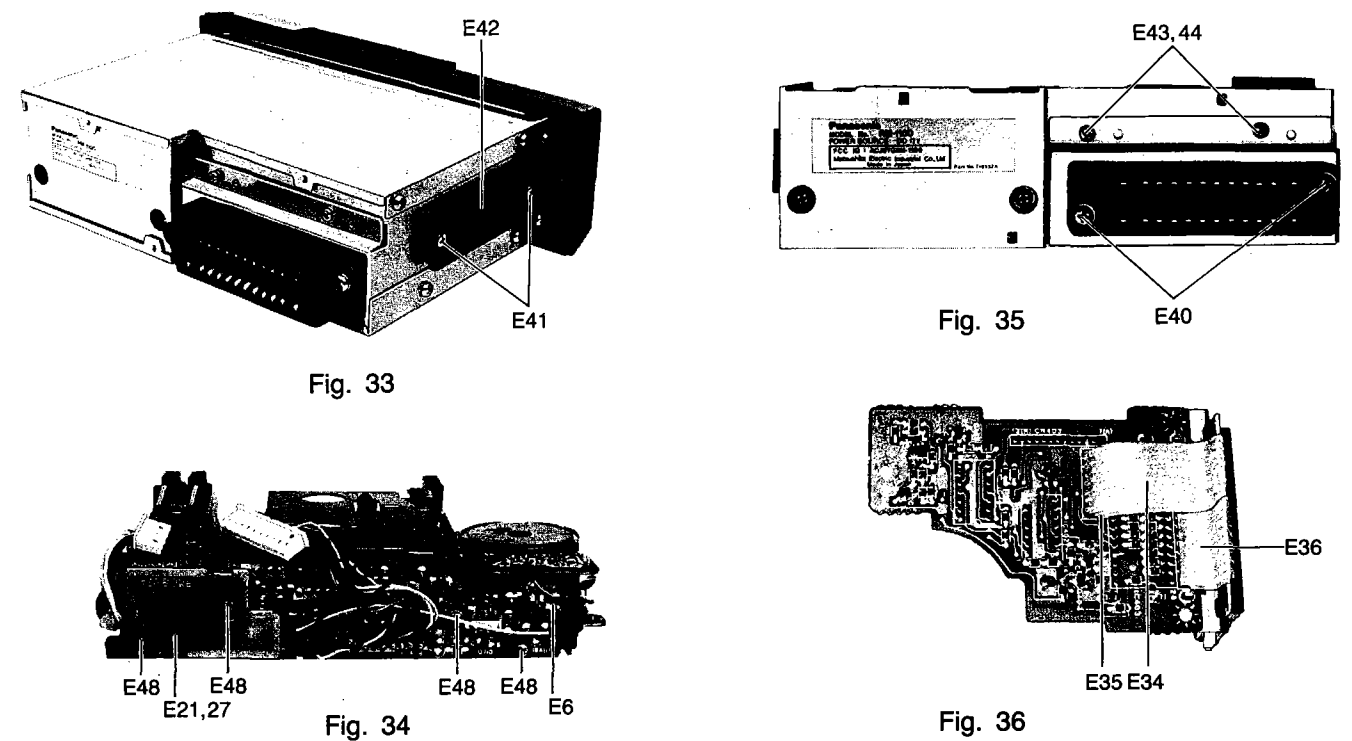


Fig. 33

Fig. 34

Fig. 35

Fig. 36

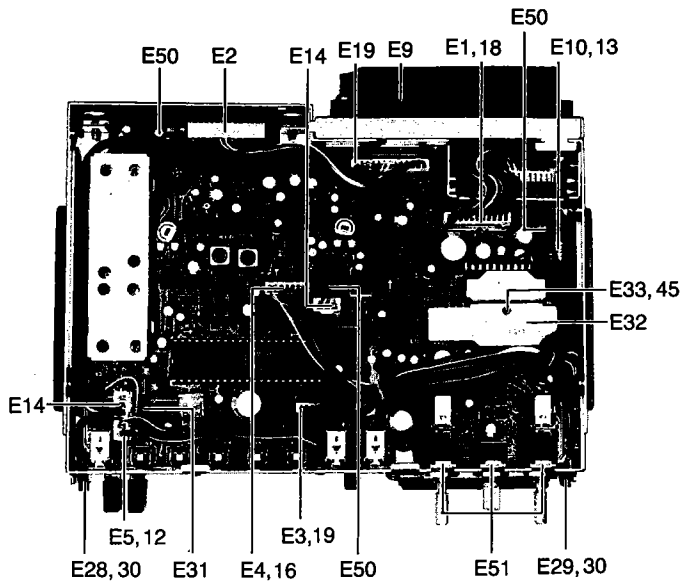


Fig. 37

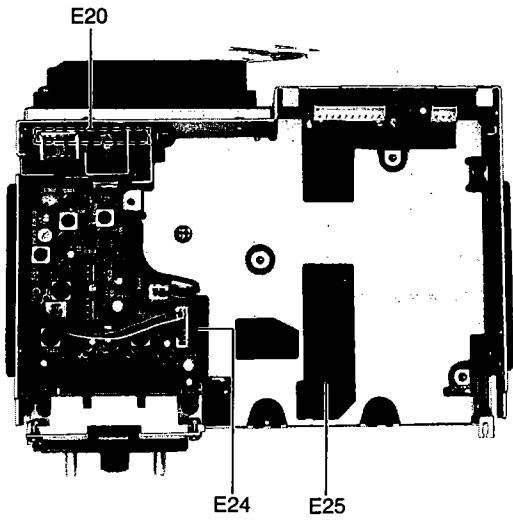


Fig. 40

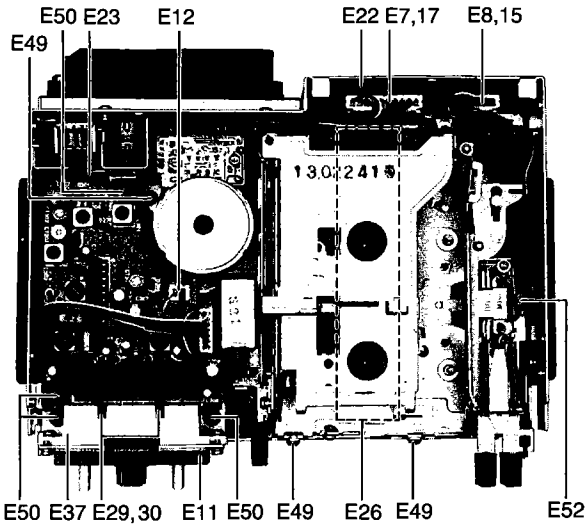


Fig. 38

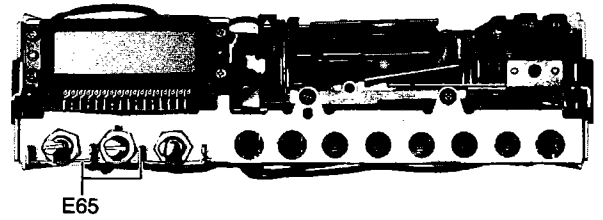


Fig. 41

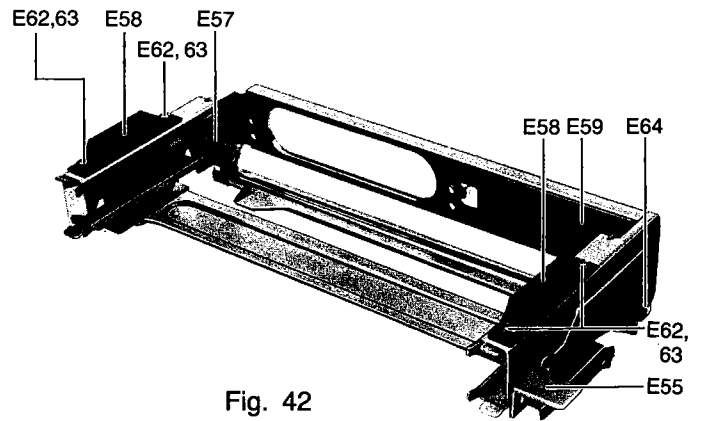


Fig. 42

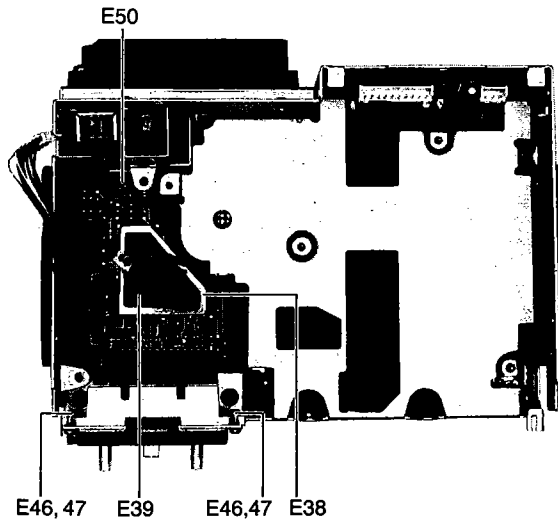


Fig. 39

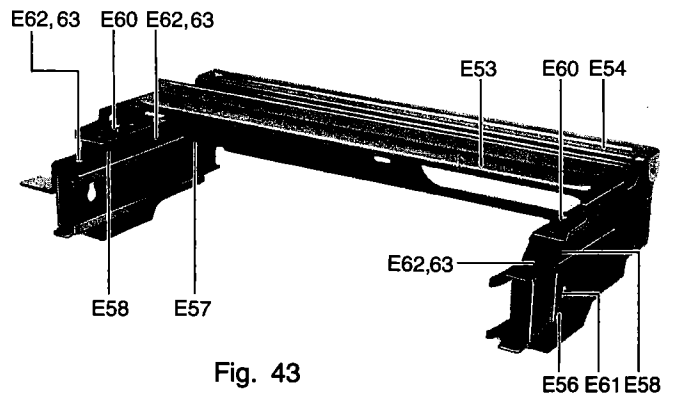


Fig. 43

REPLACEMENT PARTS LIST.....RM-1100

(RD83072080C1)

Notes:

- Important safety notice.
Components identified by Δ mark have special characteristics important for safety.
When-replacing any of these components, use only manufacturer's specified parts.
- The S mark indicates service standard parts and may differ from production parts.
- RESISTORS & CAPACITORS**
Unless otherwise specified.
All resistors are in OHMS (Ω) K=1000Ω, M=1000kΩ
All capacitors are in MICRO FARADS (μF) P=μμF

*** Type & Wattage of Resister**

Type

ERC:Solid	ERX: Metal Film	ERW: Wirewound Resister
ERD: Carbon	ERG: Metal Oxide	ERS: Fusible Resister
ERR: Chip	ERO: Metal Film	ERF: Cement Resister

Wattage

10,16:1/8W	14,25:1/4W	12:1/2W	1:1W	2:2W	3:3W
------------	------------	---------	------	------	------

*** Type & Voltage of Capacitor**

Type

ECFW: Semi-conductor	ECCD, ECKD, ECBT: Ceramic
ECQS: Styrol	ECQM, ECQV, ECQG: Polyester
ECUX: Chip	ECEA, ECSZ : Electrolytic
ECMS: Mica	ECQP : Polypropylene

Voltage

ECQ Type	ECQG, ECQV, Type	ECSZ Type	Others		
1H: 50V	0,5: 50V	OF: 3.15V	OJ : 6.3V	1H, 1V, 50: 50V	
2A: 100V	1: 100V	1A: 10V	1A : 10V	1J : 63V	
2E: 500V	2: 200V	1V: 35V	1C : 16V	2A : 100V	
2H: 500V		OJ: 6.3V	1E, 25: 25V		

Ref.No.	Part No.	Part Name & Description	Per Set
M30	RFS293Z	Plate Spring, Playback Head	1
M31	XYN2+11F	Screw, Tape Guide M'tg	2
M32	RFN89Z	Washer, Tape Guide M'tg	2
M33	RFE107Z	Tape Guide	1
M34	RFY237Z	Pinch Roller Operation Plate Ass'y	1
M35	RFU18Z	Head Plate Ass'y	1
M36	RFR12Z	Pinch Roller Arm (Right)	2
M37	RFN51Z	Washer	1
M38	RFY242Z	Switch Lever Arm	1
M39	RFY253Z	Lift Up Lever	1
M40	RFS307Z	Reverse Spring, Eject	1
M41	RFX75Z	Spacer, Push Plate	1
M42	RFY250Z	Push Plate	1
M43	RFX76Z	Spacer, Push Plate	1
M44	XUC15FT	E Ring, Push Plate Spacer	3
M45	RFY238Z	Timing Plate	1
M46	RFS294Z	Spring, Timing Plate	1
M47	RFY240Z	Rack Plate	1
M48	RFQ22Z	Head Base Plate Roller	1
M49	RFR13Z	Pinch Roller Arm (Left)	1
M50	RFY243Z	Pull Plate	1
M51	RFE111Z	Screw, Lever Bracket, etc. M'tg	2
M52	RFY249Z	Lock Sensor Push Plate	1
M53	RFY245Z	Rewind Lever	1
M54	RFS300Z	Spring, Rewind, FF Lever	2
M55	RFY244Z	FF Lever	1
M56	RFY246Z	Non-Lock Plate	1
M57	RFT7Z	Circuit Board	1
M58	RFD151Z	Bracket, Lever	1
M59	RFS303Z	Spring, Lock Plate	1
M60	RFY248Z	FF/REW Lock Plate	1
M61			
M62	RFS302Z	Spring, Lock Release Plate	1
M63	RFY247Z	Lock Release Plate	1
M64	RFS301Z	Spring, Lock Release Plate	1
M65	RFS346Z	Spring, Head Panel Ass'y	1
M70	MMX4H2WDA	Motor Ass'y	1
M71	RSE99Z	Key Off Plunger	1
M72	RFF19Z	Flywheel Ass'y	1
M73	RFF18Z	Flywheel Ass'y	1
M74	RFN85Z	Nylon Washer, Flywheel Ass'y	2
M75	RFT6Z	Circuit Board	1
M76	RFN72Z	Washer, Circuit Board	1
M77	RFE112Z	Screw, Transistor M'tg	1
M78	RFE113Z	Screw, Motor Ass'y M'tg	3
M79	RFE91Z	Screw, Key Off Plunger M'tg	2
M80	RFS305Z	Spring, Switch Lever Arm	1
M81	RFY252Z	Switch Lever Arm	1
M82	RFS297Z	Reverse Spring, Change Plate	1
M83	RFS308Z	Spring, Key Off Plate B	1
M84	RFY255Z	Key Off Plate B	1
M85	RFY254Z	Key Off Plate A	1
M86	RFX78Z	Spacer, Key Off	1
M87	RFN88Z	Nylon Washer, Flywheel Ass'y	2
M88	RFE114Z	E Ring, Flywheel Ass'y M'tg	2
M89	RFE108Z	Screw, Motor Bracket M'tg	1
M90	RFS304Z	Spring, Eject Lever	1
M91	RFY251Z	Lever, Eject	1
M92	XUC3FT	E Ring, Eject Lever M'tg	2 S
M93	XTN26+4H	Screw, Motor Bracket M'tg	1
M94	XYN26+J5	Screw, Lever M'tg	1

Ref.No.	Part No.	Part Name & Description	Per Set
		MECHANICAL PARTS	
M1	RFH6Z	Playback Head Ass'y	1
M2	RFB30Z	Main Belt	1
M3	RFE109Z	Screw, Case Lifter etc. M'tg	5
M4	RFD153Z	Case Lifter	1
M5	RFE90Z	Screw, Pack Pressure Spring M'tg	1
M6	RFX77Z	Spacer, Pack Pressure Spring	1
M7	RFS306Z	Spring, Pack Pressure	1
M8	RFD152Z	Cassette Case B	1
M9	RFS298Z	Tension Spring	1
M10	RFY239Z	Change Lever	1
M11	XUC2FT	E Ring, Main Plate, etc. M'tg	3 S
M12	RFU19Z	Main Plate	1
M13	RFS296Z	Spring, Switch Operation Plate	1
M14	RFE110Z	Screw, Gear Plate A M'tg	2
M15	RFD150Z	Gear Plate A	1
M16	RFG40Z	Main Gear	1
M17	RFN87Z	Nylon Washer, FF/REW Gear	2
M18	SMQ4930	Washer	3
M19	RFS299Z	Spring, FF/REW Gear	1
M20	RFG42Z	FF/REW Gear	1
M21	RFG41Z	Reverse Gear	1
M22	RFX74Z	Spacer, Gear Plate	1
M23	RFY241Z	Reed Plate	1
M24	SMQ4928	Washer, Reel Table	4
M25	RFJ26Z	Reel Table	2
M26	RFN86Z	Nylon Washer, Reel Table	2
M27	RFS309Z	Spring, Reel Table	2
M28	RFS295Z	Spring, Pinch Roller Arm Ass'y	1
M29	XSN2+4	Screw, Playback Head M'tg	2 S

Ref. No.	Part No.	Part Name & Description	Per Set	Ref. No.	Part No.	Part Name & Description	Per Set
M95	RBC483Y	Button, Eject	1	COILS AND TRANSFORMERS			
M96	RBC482Y	Button, REW	1	L1	RLO4N135	Coil, FM Antenna	1
M97	RBC482Z	Button, FF	1	L2,3	RLQZB2R2K	Coil, Choke	2
M98	RUB284Z	Lever, Eject	1	L4	RLO4N170	Coil, FM Antenna	1
INTEGRATED CIRCUITS, TRANSISTORS AND DIODES				L5	RLO4N171	Coil, FM Oscillator	1
IC1	AN7254	IC	1	L6	RLQZA470K	Coil, Choke	1
IC2	RVIUPC78L08	IC	1	L301,304	RLA2A3	Coil, AM Antenna	2
IC3	RVILA1140	IC	1	L302	RLQZ1021	Coil, Choke	1
IC4	RVISTK2110D	IC	1	L303	RLO2A8	Coil, AM Oscillator	1
IC5	RVILA3375	IC	1	L601,602	RLT6D1A	Coil	2
IC6	RVITD6104P	IC	1	T1	RLI4A21	IFT, FM	1
IC7	RVITC9137P	IC	1	T2	RLI4A23	IFT, FM	1
IC8	RVITA78L006P	IC	1	T3	RLI4A24	IFT, FM	1
IC9	RVIUPC78L05A	IC	1	T301,303	RLI2A16	AM NB Transformer, IF	2
IC10	RVIM51203L	IC	1	T302	RLI2A17	IFT, AM	1
IC11	AN6550	IC	1	VARIABLE RESISTORS			
IC12	RVITA7230P	IC	1	VR1,2	EVNM4AA00B14	Variable Resistor, Preset, 10KΩ (B)	2 S
IC301	RVIUPC1215VE	IC	1	VR3	EVU5R3250B15	Variable Resistor, 100KΩ (B)	1
IC302	RVIM57171L	IC	1	VR4	EVU6R3250B24	Variable Resistor, 20KΩ (B)	1
IC401, 402	RVITC4030BP	IC	2	VR5	EVU5KAP15D24	Variable Resistor, 20KΩ (D)	1
IC403	RVITD6301AP	IC	1	VARIABLE CAPACITORS			
IC501	RVIUPC1228H	IC	1	CT1,2,301,303	RCVTZ20F	Trimmer Capacitor	4
IC502	RVIBA6133	IC	1	CT3	RCVTZ11F	Trimmer Capacitor	1
IC701	AN6248	IC	1	CT302	RCVCTZ51F	Trimmer Capacitor	1
IC702, 703	DM106	IC	2	CERAMIC FILTERS			
Q1	3SK114Y	Transistor (Si)	1	CF1	RVFSFE107MSR	Ceramic Filter	1
Q2	2SC1047-C	Transistor (Si)	1 S	CF2	RVFSFE107MAR	Ceramic Filter	1
Q3~5,10~13, 15,16,18, 23,25~27,30, 401~405,701, 703~707	710~712			CF301	RVFSFP450H	Ceramic Filter	1
Q6,7	2SD601R	Transistor (Si)	29	CF302	RVFCFM2450Z	Ceramic Filter	1
Q8,9,19, 501,502	2SD601S	Transistor (Si)	2	SWITCHES			
Q14,17, 20,24	2SB709R	Transistor (Ge)	4	S1,2	Refer to VR3		
Q21,22	2SC1623L6A	Transistor (Si)	2	S3~5	RSH2B27Z	Switch, BAND, AMB, SENS	3
Q28	2SC1383NCR	Transistor (Si)	1	S6~10	EVQSQ04K	Switch, ME, PROGRAM	5
Q29	2SA683NCR	Transistor (Ge)	1	S701,702	ESB643	Switch, FF/REW	2
Q301	2SK184BL	Transistor (Si)	1	S703	RSS2C02Z	Switch, Tape	1
Q302	2SC2295B	Transistor (Si)	1	S705	RFA36Z	Switch, Mute	1
Q303	2SC1359B	Transistor (Si)	1 S	S706	RFA37Z	Switch, Head	1
Q702	2SC2001K1	Transistor (Si)	1	CABINET PARTS			
Q708,709	2SD965R	Transistor (Si)	2	K1	RYP1M1100NHD	Front Panel Ass'y	1
Q751,752	2SC1685-Q	Transistor (Si)	2 S	K2	RYP2M1100NHD	Cassette Cover Ass'y	1
D1~3	RVDLSV103	Diode (Si)	3	K3	RYTMI100NHD	Mute Knob Ass'y	1
D4,5	MA56	Diode (Si)	2	K4	RUL697Z	Bracket, Cassette Cover, Left	1
D6,7,10,12,13,17, 22,23,32,37,39, 42,303,304,309, 401,402,502	MA161	Diode (Si)	18 S	K5	RUL698Z	Bracket, Cassette Cover, Right	1
D8,9,305	RVDKB265G	Diode (Si)	3 S	K6	RUL9003Z	Lever, Cassette Cover	2
D11,19, 38	MA1056	Diode (Si)	3 S	K7	RUS515Z	Spring, Cassette Cover	2
D14,18,20,27, 28,33,35,36, 41,702,705	MA151WK	Diode (Si)	11	K8	RDF828Z	Shaft, Cassette Cover	1
D15,16,24~26, 31,34,504,505	MA151WA	Diode (Si)	9	K9	RGE74Z	Panel, Indicator	1
D21,301	MA153	Diode (Si)	2	K10	RBC481Z	Button, BAND, SENS, ME & AMB	4
D40	RVDRD12FB	Diode (Si)	1 S	K11	RBC481Z1	Button, PRESET	4
D306~308	RVDLSV149	Diode (Si)	3	K12	RDS3094Z	Spring, Preset Button	5
D501	MA1082M	Diode (Si)	1	K13	RDS4101Z	Spring, Band etc.	3
D503	MA1068M	Diode (Si)	1	M14	RBN651Y	Knob, VOLUME, INT COM	2
D601,602, 703,704	SM112	Diode (Si)	4 S	K15	RHG3001Z	Rubber, Knob	2
D701	MA1091M	Diode (Si)	1	K16	RHG9000Z	Rubber, Front Panel	1
CRYSTAL				K17	RHR475Z	Stopper, Button	2
X1	RVCX7200NZN	Crystal	1	K18	RHM164Z	Shaft, Cassette Cover	8
CRYSTAL				K19	RGX1367Z	Ornament	1
CRYSTAL				K20	RGT1033Z	Name Plate	1
CRYSTAL				K21	XTN26+8C	Screw, Bracket M'tg	5
CRYSTAL				K22	XUC12FT	Circlip, Cassette Cover	2 S
CRYSTAL				K23	XSN3+6S	Screw, Cassette Cover Bracket	1 S
CRYSTAL				K24	XWA3B	Washer	1 S
CRYSTAL				ELECTRICAL PARTS			
CRYSTAL				E1	RWN1M1100NHD	Socket Ass'y, CN106, 107,601	1

Ref. No.	Part No.	Part Name & Description	Per Set	Ref. No.	Part No.	Value	Ref. No.	Part No.	Value
E2	RWN2M1100NHD	Socket Ass'y, CN105,505	1	R7	RRD18XJ274	270K	R94	RRD18XJ103	10K
E3	RWN3M1100NHD	Socket Ass'y, CN103,403	1	R8	RRD18XJ470	47	R95	RRD18XJ472	4.7K
E4	RWN4M1100NHD	Socket Ass'y, CN104,304	1	R9	RRD18XJ470	47	R96	RRD18XJ472	4.7K
E5	RWN5M1100NHD	Socket Ass'y, CN102,302	1	R10	RRD18XJ471	470	R97	RRD18XJ471	470
E6	RWN6M1100NHD	Socket Ass'y, Deck	1	R11	RRD18XJ181	180	R98	RRD18XJ472	4.7K
E7	RWN7M1100NHD	Circuit Board	1	R12	RRD18XJ102	1K	R99	RRD18XJ103	10K
E8	RWN8M1100NHD	Socket Ass'y, CN502	1	R13	RRD18XJ471	470	R100	RRD18XJ333	33K
E9	RJS0R1Z	Socket Ass'y, CN501	1	R14	RRD18XJ104	100K	R101	RRD18XJ102	1K
E10	RJS3M1Z	Socket, CN108B	1	R15	RRD18XJ470	47	R102	RRD18XJ334	330K
E11	RADAM811C	Display	1	R16	RRD18XJ104	100K	R103	RRD18XJ152	1.5K
E12	RJP2G4Y	Plug, CN102,302	2	R17	RRD18XJ103	10K	R104	RRD18XJ222	2.2K
E13	RJP3G1Z	Plug, CN108A	1	R18	RRD18XJ104	100K	R105	RRD18XK105	1M
E14	RJP3G4Y	Plug, CN101,107	2	R19	RRD18XJ331	330	R106	RRD18XJ103	10K
E15	RJP3G9Y	Plug, CN501	1	R20	RRD18XJ103	10K	R107	RRD18XJ103	10K
E16	RJP7G10Z	Plug, CN104,303	2	R21	RRD18XJ272	2.7K	R108	RRD18XJ104	100K
E17	RJP10G9Y	Plug, CN502	1	R24	RRD18XJ331	330	R109	RRD18XJ104	100K
E18	RJP11G10Z	Plug, CN106	1	R25	RRD18XJ103	10K	R110	RRD18XJ153	15K
E19	RJP13G10Z	Plug, CN103,105	2	R26	RRD18XJ822	8.2K	R111	RRD18XJ104	100K
E20	RJP15G10Z	Plug, CN606	1	R27	ERD25FJ103	10K S	R112	RRD18XJ563	56K
E21	RMC910Z	Shield Cover	1	R28	RRD18XJ472	4.7K	R113	RRD18XJ223	22K
E22	RMX248Z	Insulator	1	R29	RRD18XJ473	47K	R114	RRD18XJ223	22K
E23	RMX249Z	Insulator	1	R30	RRD18XJ473	47K	R115	RRD18XJ104	100K
E24	RMX250Z	Insulator	1	R31	RRD18XJ102	1K	R116	RRD18XJ473	47K
E25	RMX252Z	Insulator	1	R34	RRD18XJ223	22K	R117	RRD18XJ473	47K
E26	RMX256Z	Insulator	1	R35	RRD18XJ101	100	R118	RRD18XJ473	47K
E27	RMX260Z	Insulator	1	R36	RRD18XJ123	12K	R119	RRD18XJ473	47K
E28	XAMR82R300	Pilot Lamp	1	R37	RRD18XJ821	820	R120	RRD18XJ473	47K
E29	XAMR82R200	Pilot Lamp	3	R38	RRD18XJ473	47K	R121	RRD18XJ104	100K
E30	RHG225Z	Lamp Holder	4	R39	RRD18XJ472	4.7K	R122	RRD18XJ104	100K
E31	XANR13T33	Neon Lamp	1	R40	RRD18XJ223	22K	R123	RRD18XJ223	22K
E32	RMV188Z	Heat Sink	1	R41	RRD18XJ222	2.2K	R124	RRD18XJ223	22K
E33	RHM168Z	Spacer, Heat Sink	1	R42	RRD18XJ333	33K	R125	RRD18XJ273	27K
E34	RJEL40Z	Lead Wire	1	R43	RRD18XJ223	22K	R126	RRD18XJ273	27K
E35	RJEL41Z	Lead Wire	1	R44	RRD18XJ101	100	R127	RRD18XJ473	47K
E36	RJEL42Z	Lead Wire	2	R45	RRD18XJ153	15K	R128	RRD18XJ102	1K
E37	RMP204Z	Holder, Display	1	R46	RRD18XJ102	1K	R129	RRD18XJ103	10K
E38	RMC890Z	Shield Cover	1	R47	RRD18XJ822	8.2K	R130	RRD18XJ683	68K
E39	RMX251Z	Insulator, Shield Cover	1	R48	RRD18XJ123	12K	R131	RRD18XJ683	68K
E40	RHE5047Z	Screw, Socket M'tg	2	R49	RRD18XJ821	820	R132	RRD18XJ102	1K
E41	RHE5048Z	Screw, Slider M'tg	4	R51	RRD18XJ392	3.9K	R133	RRD18XJ273	27K
E42	RKC80Z	Slider	2	R52	RRD18XJ392	3.9K	R134	RRD18XJ102	1K
E43	XSN3+4S	Screw, Bracket, Socket M'tg	4 S	R53	RRD18XJ563	56K	R135	RRD18XJ104	100K
E44	XWA3B	Washer	4 S	R54	RRD18XJ563	56K	R136	RRD18XJ823	82K
E45	XTB3+8BFZ	Screw, Heat Sink M'tg	1 S	R55	RRD18XJ223	22K	R137	RRD18XJ823	82K
E46	XSN26+6	Screw, Display M'tg	2 S	R56	RRD18XJ223	22K	R138	RRD18XJ103	10K
E47	XWA26B	Washer	2 S	R57	RRD18XJ223	22K	R139	RRD18XJ102	1K
E48	XTB2+4F	Screw, Circuit Board M'tg	4	R58	RRD18XJ103	10K	R140	RRD18XJ223	22K
E49	XTV26+5F	Screw, Deck M'tg	5	R59	RRD18XJ392	3.9K	R141	RRD18XJ472	4.7K
E50	XTV3+6F	Screw, Bracket, Circuit Board M'tg	24	R60	RRD18XJ392	3.9K	R142	RRD18XJ104	100K
E51	XNS7D	Nut Volume Mute, Int Cum	3	R61	RRD18XJ334	330K	R143	RRD18XJ473	47K
E52	RHR166Z	Lead Clamper	2	R62	RRD18XJ334	330K	R144	RRD18XJ472	4.7K
E53	RUA547Z	Frame, Bottom	1	R63	RRD18XK105	1M	R145	RRD18XJ223	22K
E54	RUA9019Z	Lock Lever	1	R64	RRD18XK105	1M	R146	RRD18XJ223	22K
E55	RUA9020Z	Lever, Lock Lever	1	R65	RRD18XJ332	3.3K	R147	RRD18XJ103	10K
E56	RUS514Z	Spring, Slider	1	R66	RRD18XJ332	3.3K	R149	RRD18XJ474	470K
E57	RDS5140Z	Spring, Lock Lever	2	R67	RRD18XJ471	470	R150	RRD18XJ153	15K
E58	RHG9001Z	Cushion, Frame	4	R68	RRD18XJ471	470	R151	RRD18XJ681	680
E59	RKC82Z	Frame	1	R75	RRD18XJ154	150K	R152	RRD18XJ151	150
E60	XYN4+F6	Screw	2	R76	RRD18XJ154	150K	R153	RRD18XJ103	10K
E61	XTV3+6F	Screw	1	R77	RRD18XJ102	1K	R154	RRD18XJ473	47K
E62	XSN3+4S	Screw	8 S	R78	RRD18XJ102	1K	R155	RRD18XJ472	4.7K
E63	XWA3B	Washer	8 S	R79	RRD18XJ223	22K	R156	RRD18XK105	1M
E64	XUC3FT	Circlip	1 S	R80	RRD18XJ223	22K	R157	ERD25FJ153	15K S
E65	RUS542Z	Spring, Volume	2	R81	RRD18XJ472	4.7K	R158	RRD18XJ221	220
				R82	RRD18XJ472	4.7K	R159	RRD18XJ473	47K
				R83	RRD18XJ333	33K	R160	ERD25FJ681	680 S
				R84	RRD18XJ333	33K	R161	RRD18XJ272	2.7K
				R85	RRD18XJ103	10K	R162	RRD18XJ561	560
				R86	RRD18XJ103	10K	R163	RRD18XJ272	2.7K
				R87	RRD18XJ221	220	R164	RRD18XJ272	2.7K
				R88	RRD18XJ221	220	R165	RRD18XJ272	2.7K
				R89	RRD18XJ332	3.3K	R166	RRD18XJ272	2.7K
							R167	RRD18XJ272	2.7K
							R168	RRD18XJ103	10K
							R169	RRD18XJ222	2.2K
							R170	RRD18XJ223	22K
							R171	RRD18XJ223	22K

Ref. No.	Part No.	Value	Ref. No.	Part No.	Value
	RESISTORS				
R1	RRD18XJ681	680	R4	RRD18XJ104	100K
R2	RRD18XJ681	680	R5	RRD18XJ334	330K
R3	RRD18XJ473	47K	R6	RRD18XJ224	220K

Ref. No.	Part No.	Value	Ref. No.	Part No.	Value	Ref. No.	Part No.	Value	Ref. No.	Part No.	Value
R172	RRD18XJ682	6.8K	R501	RRD18XJ274	270K	C21	ECUX1H103MD	0.01	C106	ECEALHK2R2	2.2
R175	RRD18XJ682	6.8K	R502	RRD18XJ274	270K	C22	ECUX1H103ZF	0.01	C107	ECEALCSS101	100
R301	RRD18XJ474	470K	R503	RRD18XJ334	330K	C23	ECUX1H150KC	15P			
R302	RRD18XJ332	3.3K	R504	RRD18XJ334	330K	C24	ECUX1H390KC	39P	C108	ECEALEK4R7	4.7
R303	ERD10TJ332	3.3K S	R505	RRD18XJ224	220K	C25	ECUX1H030CC	3P	C109	ECEALHK3R3	3.3
R304	RRD18XK105	1M	R506	RRD18XJ224	220K	C26	ECUX1H180KC	18P	C110	ECEALHK3R3	3.3
R305	RRD18XJ270	27	R507	RRD18XJ271	270	C27	ECEALHK010	1	C111	ECEALHK3R3	3.3
R306	RRD18XJ182	1.8K	R508	RRD18XJ271	270	C28	ECUX1H103ZF	0.01	C112	ECEALHK3R3	3.3
			R509	RRD18XJ223	22K	C30	ECUX1H223MD	0.022	C113	ECEALHK3R3	3.3
			R510	RRD18XJ223	22K				C114	ECUX1H103ZF	0.01
R307	RRD18XJ474	470K	R511	RRD18XJ474	470K	C32	ECEALASS101	100	C115	ECUX1H103ZF	0.01
R308	RRD18XJ330	33	R512	RRD18XJ474	470K	C33	ECUX1H223MD	0.022	C116	ECEA0JSS102	1000
R309	RRD18XJ474	470K				C34	ECEALEK4R7	4.7	C117	ECEALHK010	1
R310	RRD18XJ470	47				C35	ECEALHK010	1			
R311	RRD18XJ104	100K	R513	RRD18XJ272	2.7K	C36	ECEALHKR33	0.33	C118	ECUX1H223ZF	0.022
R312	RRD18XJ104	100K	R514	RRD18XJ272	2.7K	C37	ECUX1H101K	100P	C119	ECUX1H330KC	33P
R313	RRD18XJ103	10K	R515	RRD18XJ334	330K	C38	ECUX1H223ZF	0.022	C120	ECUX1H220KC	22P
R314	RRD18XJ104	100K	R516	RRD18XJ334	330K	C39	ECEALCK470	47	C121	ECUX1E473MD	0.047
R315	RRD18XJ101	100	R517	RRD18XJ332	3.3K	C40	ECUX1H223MD	0.022	C122	ECUX1E473MD	0.047
R316	RRD18XJ473	47K	R518	RRD18XJ332	3.3K	C41	ECUX1H223ZF	0.022	C123	ECSF1AE225	2.2
			R519	RRD18XJ101	100				C124	ECUX1H223ZF	0.022
R317	RRD18XJ103	10K	R521	RRD18XJ101	100	C42	ECEALEK4R7	4.7	C125	ECEALHK010	1
R318	RRD18XJ152	1.5K	R522	RRD18XJ121	120	C43	ECFV1E223MD	0.022	C126	ECUX1E104MD	0.1
R319	RRD18XJ103	10K	R523	RRD18XJ223	22K	C44	ECUX1H103ZF	0.01	C127	ECEA0JK470	47
R320	RRD18XJ332	3.3K				C45	ECEALHK010	1			
R321	RRD18XJ332	3.3K	R524	RRD18XJ272	2.7K	C46	ECEALAK220	22	C128	ECEALHK010	1
R322	RRD18XJ222	2.2K	R525	RRD18XJ102	1K	C47	ECEALCK470	47	C129	ECUX1E473MD	0.047
R323	RRD18XJ153	15K	R526	RRD18XJ104	100K	C48	ECEALCN100	10	C130	ECUX1H470KC	47P
R324	RRD18XJ222	2.2K	R527	ERD25FJ102	1K S	C49	ECUX1H332MD	0.0033	C131	ECSF1VE104	0.1
R325	RRD18XJ151	150	R528	ERD10TJ331	330 S	C50	ECUX1E473MD	0.047	C132	ECUX1E473MD	0.047
R326	RRD18XJ222	2.2K	R530	RRD18XJ101	100	C51	ECUX1H101K	100P	C133	ECEA0JK101	100
			R531	RRD18XJ333	33K				C134	ECUX1H560KC	56P
R327	RRD18XJ474	470K	R702	RRD18XJ224	220K	C52	ECUX1H104MD	0.1	C135	ECEALCK100	10
R328	RRD18XJ153	15K	R703	RRD18XJ222	2.2K	C53	ECEALCK470	47	C136	ECEALCK470	47
R330	RRD18XJ470	47	R704	RRD18XJ333	33K	C54	ECUX1H223MD	0.022	C137	ECUX1E473MD	0.047
R332	RRD18XJ683	68K				C55	ECUX1H333ZF	0.033			
R333	ERD25FJ470	47 S	R705	RRD18XJ104	100K	C56	ECEALHK2R2	2.2	C138	ECEALCSS221	220
R401	RRD18XJ104	100K	R706	RRD18XJ471	470	C57	ECEALHK3R3	3.3	C139	ECUX1H472MD	0.0047
R402	RRD18XJ333	33K	R707	RRD18XJ472	4.7K	C58	ECEALHK010	1	C140	ECUX1H472MD	0.0047
R403	RRD18XJ473	47K	R708	RRD18XJ473	47K	C59	ECQP2A102JZ	1000P	C141	ECUX1H223ZF	0.022
R404	RRD18XJ823	82K	R709	RRD18XJ473	47K	C60	ECEA0JK101	100	C142	ECUX1H223ZF	0.022
R405	RRD18XJ222	2.2K	R710	RRD18XJ472	4.7K	C61	ECUX1H223MD	0.022	C145	ECKD1H103ZF	0.01
			R711	RRD18XJ223	22K				C301	ECUX1H223ZF	0.022
R406	RRD18XJ103	10K	R712	RRD18XJ104	100K	C62	ECUX1H223MD	0.022	C302	ECUX1H471K	470P
R407	RRD18XJ223	22K	R713	RRD18XJ104	100K	C63	ECEALHK010	1	C303	ECUX1H223ZF	0.022
R408	RRD18XJ333	33K	R714	RRD18XJ104	100K	C64	ECEALHK010	1	C304	ECUX1H101K	100P
R409	RRD18XJ473	47K				C66	ECUX1H102MD	0.001			
R410	RRD18XJ222	2.2K	R715	RRD18XJ122	1.2K	C67	ECEALHK010	1	C305	ECUX1H223ZF	0.022
R411	RRD18XJ101	100	R716	RRD18XJ103	10K	C68	ECEALHK010	1	C306	ECEALCK100	10
R412	RRD18XJ473	47K	R717	RRD18XJ103	10K	C69	ECEALHK010	1	C307	ECUX1H153MD	0.015
R413	RRD18XJ104	100K	R718	RRD18XJ103	10K	C70	ECEALHK010	1	C308	ECEALCK470	47
R414	RRD18XJ473	47K	R719	RRD18XJ122	1.2K	C75	ECEALHK010	1	C309	ECUX1E473MD	0.047
R415	RRD18XJ103	10K	R720	RRD18XJ222	2.2K	C76	ECEALHK010	1	C310	ECUX1H223ZF	0.022
			R721	RRD18XJ102	1K				C311	ECUX1H223ZF	0.022
R416	RRD18XJ103	10K	R722	RRD18XJ222	2.2K	C77	ECEALHK3R3	3.3	C312	ECEALEK4R7	4.7
R417	RRD18XJ473	47K	R751	ERD25FJ103	10K S	C78	ECEALHK3R3	3.3	C313	ECKD1H103ZF	0.01
R418	RRD18XJ101	100	R752	ERD25FJ103	10K S	C79	ECSF1VE104	0.1	C314	ECUX1H102ZF	0.001
R420	RRD18XJ473	47K				C80	ECSF1VE104	0.1			
R421	RRD18XJ104	100K	R753	ERD25FJ221	220 S	C81	ECEALHK2R2	2.2	C315	ECUX1H103ZF	0.01
R422	RRD18XJ104	100K	R754	ERD25FJ221	220 S	C82	ECEALHK2R2	2.2	C316	ECUX1H220KC	22P
R423	RRD18XJ104	100K	R755	ERD25FJ224	220K S	C83	ECEALCSS471	470	C317	ECUX1H153MD	0.015
R424	RRD18XJ104	100K				C84	ECEALAK220	22	C318	ECQP2A471JZ	470P
R425	RRD18XJ104	100K				C85	ECEALASS221	220	C319	ECEALHKR47	0.47
R426	RRD18XJ104	100K				C86	ECEALASS221	220	C320	ECUX1H223ZF	0.022
									C321	ECEALAK220	22
R427	RRD18XJ104	100K	C1	ECUX1H102MD	0.001	C87	ECUX1H104MD	0.1	C322	ECEALCK100	10
R428	RRD18XJ104	100K	C2	ECUX1H102MD	0.001	C88	ECUX1H104MD	0.1	C323	ECUX1H103MD	0.01
R429	RRD18XJ104	100K	C3	ECUX1H102MD	0.001	C89	ECEALHK010	1	C324	ECUX1H223ZF	0.022
R430	RRD18XJ104	100K	C4	ECUX1H270KC	27P	C90	ECUX1E473MD	0.047			
R431	RRD18XJ104	100K	C5	ECUX1H150KC	15P	C91	ECEA0JK470	47	C325	ECUX1H223ZF	0.022
R432	RRD18XJ104	100K	C6	ECEALCK100	10	C92	ECUX1H223ZF	0.022	C326	ECEALEK4R7	4.7
R433	RRD18XJ104	100K	C7	ECUX1H102MD	0.001	C93	ECUX1H103ZF	0.01	C327	ECEALCK470	47
R434	RRD18XJ104	100K	C8	ECUX1H102MD	0.001	C94	ECEALHK010	1	C328	ECUX1H333ZF	0.033
R435	RRD18XJ104	100K	C9	ECEALCK100	10	C95	ECUX1H222MD	0.0022	C329	ECEALHK010	1
R436	RRD18XJ104	100K	C10	ECUX1H102MD	0.001	C96	ECUX1H102MD	0.001	C330	ECUX1H472MD	0.0047
									C332	ECUX1H682MD	0.0068
R437	RRD18XJ104	100K	C11	ECUX1H102MD	0.001	C97	ECEALCK100	10	C334	ECUX1H153MD	0.015
R438	RRD18XJ104	100K	C12	ECUX1H102MD	0.001	C98	ECQ05474JZ	0.47	C336	ECUX1H223ZF	0.022
R439	RRD18XJ104	100K	C13	ECUX1H102MD	0.001	C99	ECEALCK470	47	C338	ECUX1H103MD	0.01
R440	RRD18XJ104	100K	C14	ECUX1H102MD	0.001	C100	ECUX1H103ZF	0.01			
R441	RRD18XJ104	100K	C15	ECUX1H102MD	0.001	C101	ECEA0JK101	100	C340	ECUX1H103MD	0.01
R442	RRD18XJ104	100K	C16	ECUX1H102MD	0.001	C102	ECUX1H473MD	0.047	C342	ECUX1H332MD	0.0033
R443	RRD18XJ104	100K	C17	ECUX1H102ZF	0.001	C104	ECEA0JK101	100	C344	ECUX1H223MD	0.022
R444	RRD18XJ473	47K	C19	ECUX1H103ZF	0.01	C105	ECEALCK100	10	C346	ECUX1E473MD	0.047
R444	RRD18XJ473	47K	C20	ECUX1H050DC	5P						

Ref. No.	Part No.	Value	Ref. No.	Part No.	Value	Ref. No.	Part No.	Value	Ref. No.	Part No.	Value
C348	ECEALHKOR1	0.1									
C350	ECUX1H103MD	0.01									
C401	ECEAOJK470	47									
C402	ECUX1E473MD	0.047									
C404	ECUX1E104MD	0.1									
C405	ECUX1E104MD	0.1									
C406	ECUX1E104MD	0.1									
C407	ECUX1E104MD	0.1									
C501	ECEALHKR22	0.22									
C502	ECEALHKR22	0.22									
C503	ECUX1H152MD	0.0015									
C505	ECEAOJK330	33									
C506	ECEAOJK330	33									
C507	ECEALASS221	220									
C508	ECEALCK100	10									
C509	ECUX1H682MD	0.0068									
C510	ECUX1H682MD	0.0068									
C511	ECEALCK100	10									
C512	ECEALCK100	10									
C513	ECEALCK470	47									
C515	ECUX1H223MD	0.022									
C516	ECUX1H223MD	0.022									
C517	ECEALCK100	10									
C518	ECEALCK100	10									
C519	ECEALAK330	33									
C520	ECUX1H223MD	0.022									
C521	ECUX1H223MD	0.022									
C522	ECEALCN100	10									
C523	ECEALCK470	47									
C525	ECEALHK010	1									
C526	ECEALHK010	1									
C530	ECBC1E152MX	0.0015									
C601	ECUX1H102ZF	0.001									
C602	ECUX1H102ZF	0.001									
C603	ECUX1H102ZF	0.001									
C604	ECUX1H102ZF	0.001									
C605	ECUX1H102ZF	0.001									
C606	ECUX1H102ZF	0.001									
C607	ECEALCSS471	470									
C608	ECUX1H102ZF	0.001									
C609	ECUX1H102ZF	0.001									
C610	ECUX1H102ZF	0.001									
C611	ECUX1H102ZF	0.001									
C612	ECUX1H102ZF	0.001									
C613	ECUX1H102ZF	0.001									
C614	ECUX1H102ZF	0.001									
C615	ECEALCSS221	220									
C701	ECEALHS010	1									
C702	ECEALAS470	47									
C703	ECQV05334JZ	0.33									
C704	ECEALAK470	47									
C705	ECEALAK470	47									
C706	ECUX1E473MD	0.047									
C707	ECUX1E473MD	0.047									
C708	ECUX1E104MD	0.1									
C709	ECUX1H682MD	0.0068									
C710	ECEALCU330	33									
C711	ECEALCU330	33									

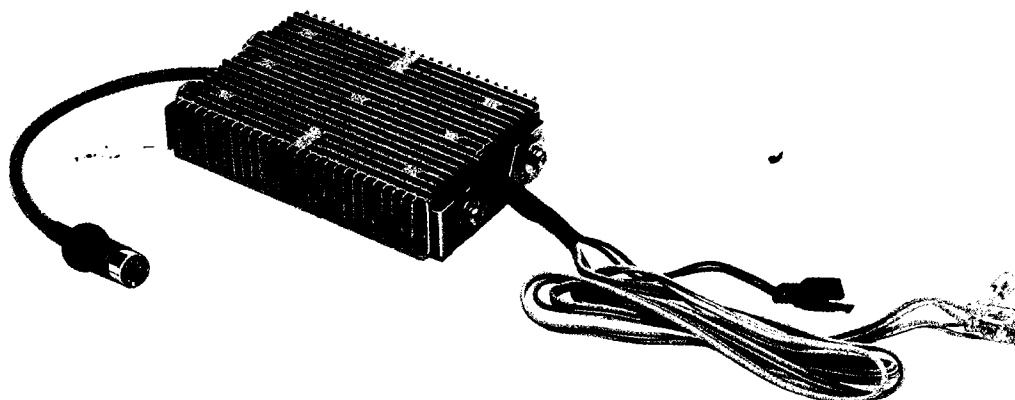
Service Manual

Car Audio

POWER AMPLIFIER

RM-M1100

CUSTOM-MADE FOR HONDA



■ SPECIFICATIONS

Rated Power Output:	12 W/CH (5% THD)
Output Impedance:	4Ω
Power Source:	DC 12 V (Negative ground)
Test Voltage:	14 V
Power Consumption:	3.5A (at rated power output)
Dimension:	136 (W)×30 (H)×96 (D) mm (5 ⁵ / ₁₆ "×1 ³ / ₁₆ "×3 ¹³ / ₁₆ "
Weight:	0.7 kg (1 lb 1/2 oz)

Specifications are subject to change without notice.

Panasonic®

Matsushita Engineering and
Service Company
50 Meadowland Parkway,
Secaucus, New Jersey 07094

Panasonic Hawaii Inc.
91-238 Kauhī St. Ewa Beach
P.O. Box 774
Honolulu, Hawaii 96808-0774

Matsushita Electric
of Canada Limited
5770 Ambler Drive, Mississauga,
Ontario, L4W 2T3

Panasonic Sales Company,
Division of Matsushita Electric
of Puerto Rico, Inc.
Ave. 65 De Infantería, KM 9.7
Victoria Industrial Park
Carolina, Puerto Rico 00630

DISASSEMBLY INSTRUCTIONS

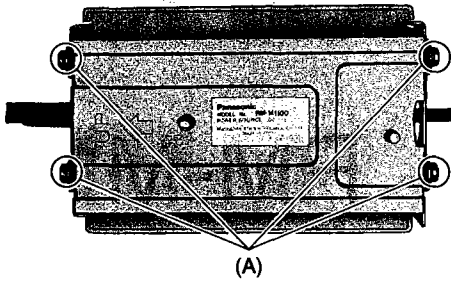


Fig. 1

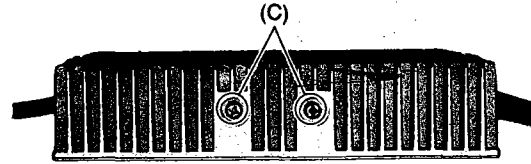


Fig. 3

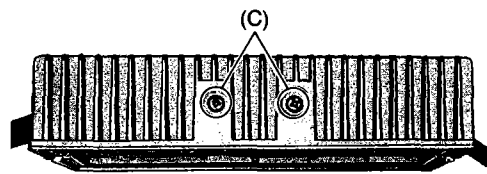


Fig. 4

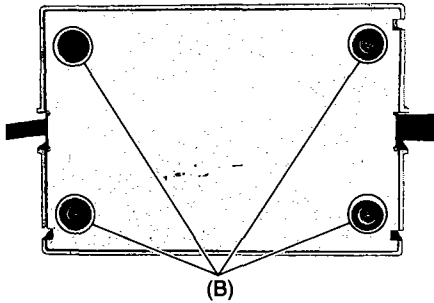


Fig. 2

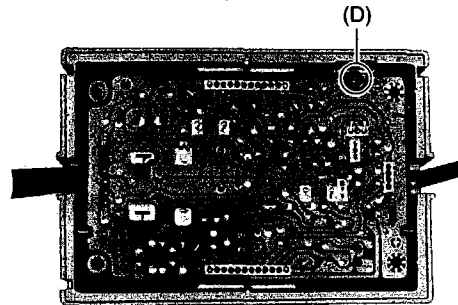


Fig. 5

Ref. No.	Procedure	Shown in Fig.—	To remove—	Remove—
1	1~4	1	Circuit Board	Screw (5×16) (A)×4
2		2		Screw (3×10) (B)×4
3		3,4		Screw (3×12) (C)×4
4		5		Screw (3×10) (D)×1

ELECTRICAL PARTS LOCATION

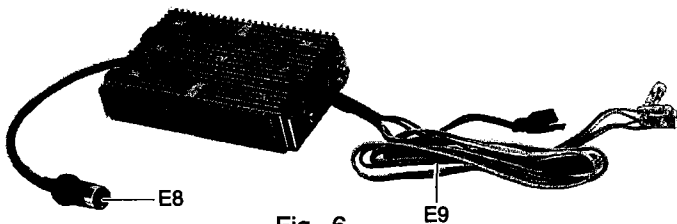


Fig. 6

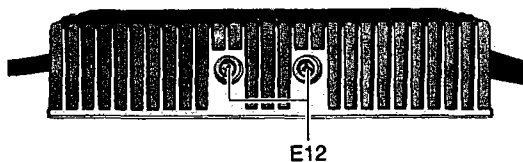


Fig. 7

E4, 5, 10, 11, 15 E6 E7 E4, 5, 10, 11, 15

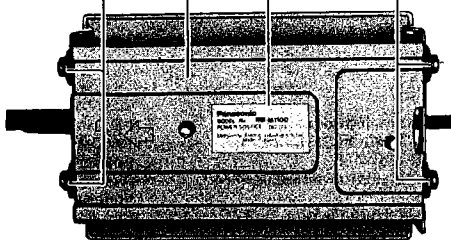


Fig. 8

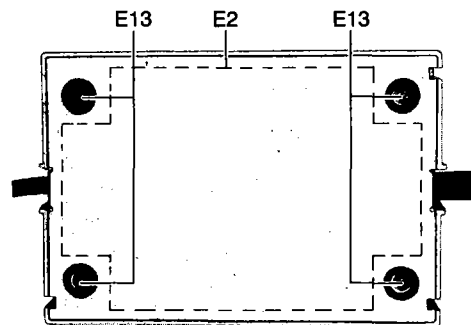


Fig. 9

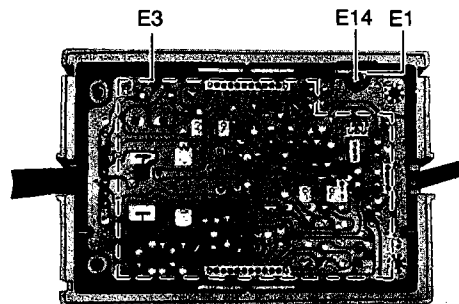
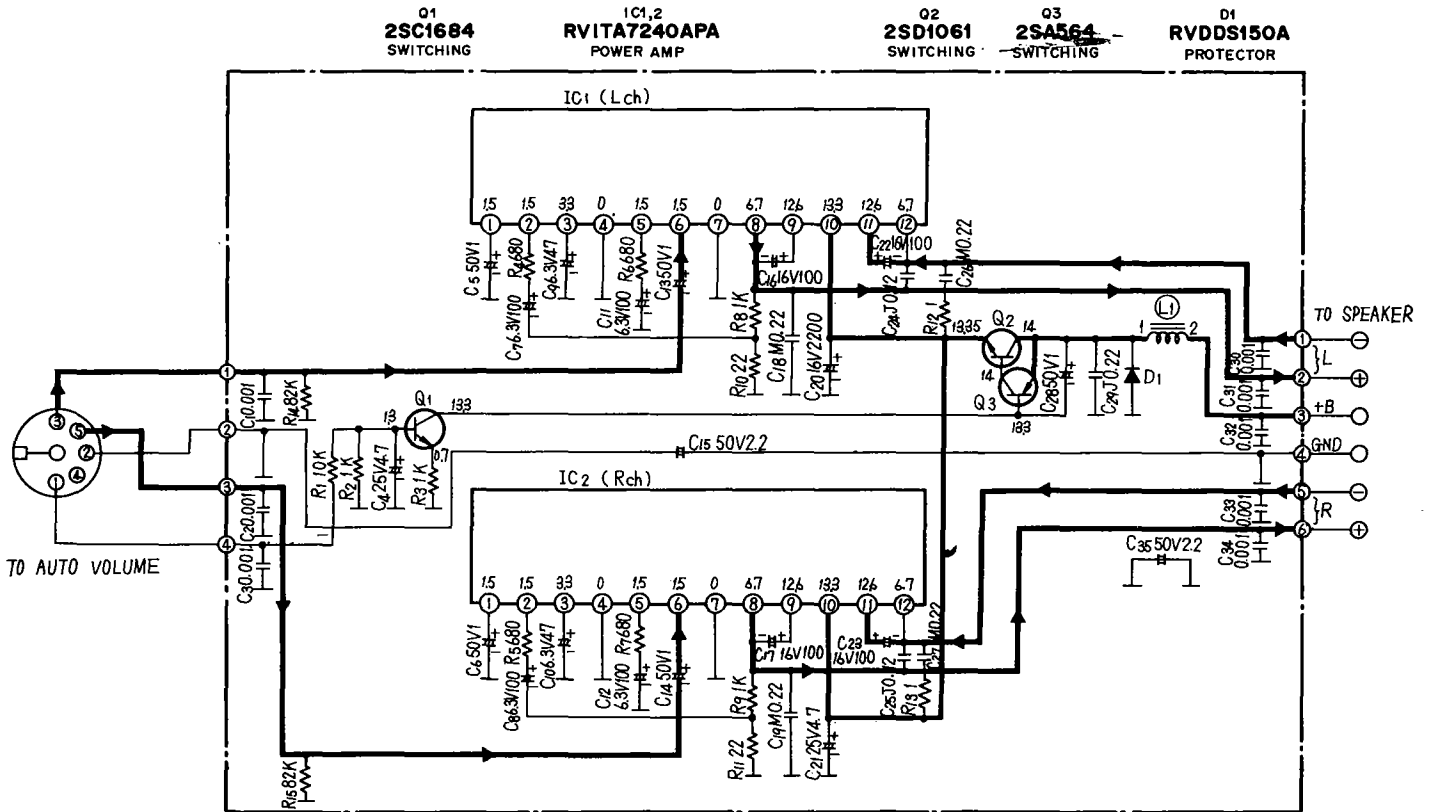


Fig. 10

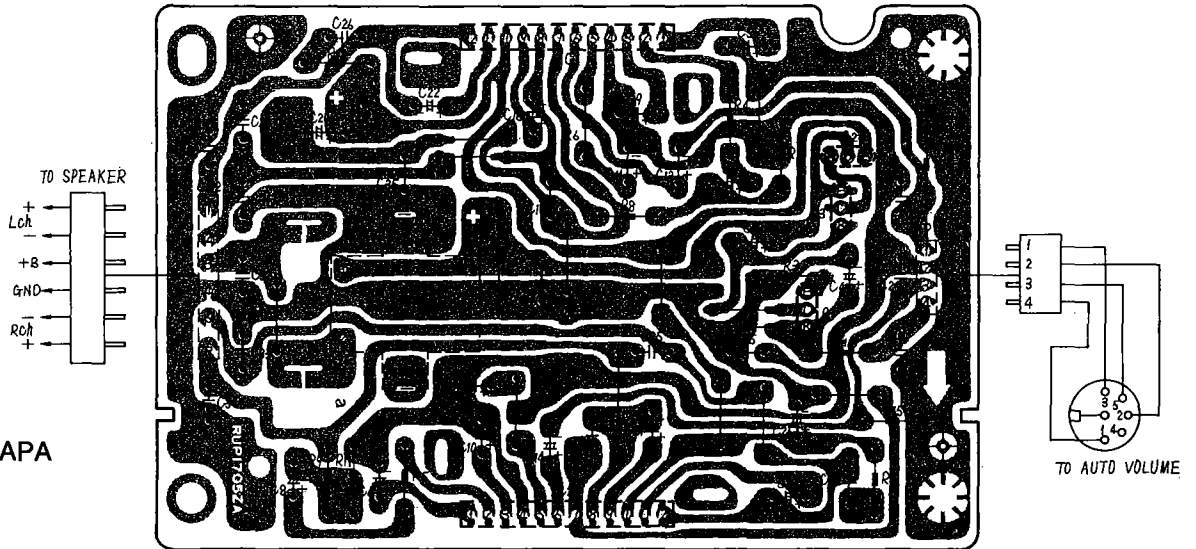
SCHEMATIC DIAGRAM MODEL RM-M1100



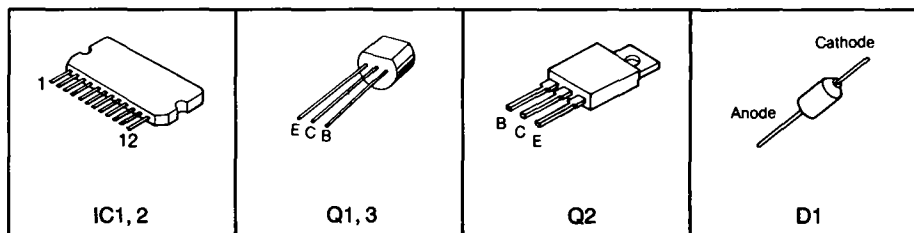
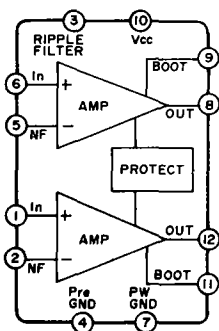
Note:
DC voltage measurements are taken with electronic voltmeter from negative voltage line.

— Tape & AF Signal
- - - + Voltage Line

CIRCUIT BOARD AND WIRING CONNECTION DIAGRAM MODEL RM-M1100



IC1, 2 RVITA7240APA



REPLACEMENT PARTS LIST..... **RM-M1100**

Notes:

(RD83072081C1)

- Important safety notice.
Components identified by Δ mark have special characteristics important for safety.
When replacing any of these components, use only manufacturer's specified parts.
- The S mark indicates service standard parts and may differ from production parts.
- RESISTORS & CAPACITORS**
Unless otherwise specified.
All resistors are in OHMS (Ω) K=1000 Ω , M=1000k Ω
All capacitors are in MICRO FARADS (μ F) P= μ F

*** Type & Wattage of Resistor**
Type

ERC:Solid	ERX:Metal Film	ERW:Wirewound Resistor
ERD:Carbon	ERG:Metal Oxide	ERS:Fusible Resistor
RRD:Chip	ERO:Metal Film	ERF:Cement Resistor

Wattage

10,16:1/8W	14,25:1/4W	12:1/2W	1:1W	2:2W	3:3W
------------	------------	---------	------	------	------

*** Type & Voltage of Capacitor**
Type

ECFW:Semi-conductor	ECCD,ECKD,ECBT: Ceramic
ECQS:Styrol	ECQM,ECQV,ECQG: Polyester
ECUX:Chip	ECEA,ECSZ : Electrolytic
ECMS:Mica	ECQP : Polypropylene

Voltage

ECQ Type	ECQG, ECQV, Type	ECSZ Type	Others		
1H: 50V	0,5: 50V	OF:3.15V	OJ :6.3V	1H,1V,50: 50V	
2A:100V	1:100V	1A:10V	1A :10V	1J : 63V	
2E:500V	2:200V	1V:35V	1C :16V	2A :100V	
2H:500V		OJ:6.3V	1E,25:25V		

Ref. No.	Part No.	Value
RESISTORS		
R1	ERD25FJ103	10K S
R2	ERD25FJ102	1K S
R3	ERD25FJ102	1K S
R4	ERD25FJ681	680 S
R5	ERD25FJ681	680 S
R6	ERD25FJ681	680 S
R7	ERD25FJ681	680 S
R8	ERD25FJ102	1K S
R9	ERD25FJ102	1K S
R10	ERD25FJ220	22 S
R11	ERD25FJ220	22 S
R12	ERD25FJ1R0	1 S
R13	ERD25FJ1R0	1 S
R14	ERD25TJ823	82K S
R15	ERD25TJ823	82K S

Ref. No.	Part No.	Value
CAPACITORS		
C1	ECKD1H102ZF	0.001
C2	ECKD1H102ZF	0.001
C3	ECKD1H102ZF	0.001
C4	ECEA25Z4R7	4.7 S
C5	ECEA50Z1	1 S
C6	ECEA50Z1	1 S
C7	ECEA1AS101	100 S
C8	ECEA1AS101	100 S
C9	ECEA1AS470	47 S
C10	ECEA1AS470	47 S
C11	ECEA1AS101	100 S
C12	ECEA1AS101	100 S
C13	ECEA50Z1	1 S
C14	ECEA50Z1	1 S
C15	ECEA1HN2R2	2.2
C16	ECEA1ES101	100 S
C17	ECEA1ES101	100 S
C18	ECQGLH224MZ	0.22
C19	ECQGLH224MZ	0.22
C20	ECEA1CSS222	2200

C21	ECEA25Z4R7	4.7 S
C22	ECEA1ES101	100 S
C23	ECEA1ES101	100 S
C24	ECQG05124JZ	0.12
C25	ECQG05124JZ	0.12
C26	ECQGLH224MZ	0.22
C27	ECQGLH224MZ	0.22
C28	ECEA50Z1	1 S
C29	ECQG05224JZ	0.22
C30	ECKD1H102ZF	0.001
C31	ECKD1H102ZF	0.001
C32	ECKD1H102ZF	0.001
C33	ECKD1H102ZF	0.001
C34	ECKD1H102ZF	0.001
C35	ECEA1HN2R2	2.2

Ref.No.	Part No.	Part Name & Description	Per Set
INTEGRATED CIRCUITS, TRANSISTORS AND DIODE			
IC1,2	RVITA7240APA	IC	2
Q1	2SC1685-Q	Transistor (Si)	1 S
Q2	2SD1061S	Transistor (Si)	1
Q3	2SA722-S	Transistor (Ge)	1 S
D1	RVDDS150A	Diode (Si)	1 S
COIL			
L1	RLT6G4A	Coil, Choke	1
ELECTRICAL PARTS			
E1	RMX246Z	Insulator	1
E2	RMX247Z	Insulator, Circuit Board	1
E3	RHG1083Z	Rubber, Circuit Board	1
E4	RHG599Z	Rubber, Bracket	4
E5	RHM161Z	Spacer, Bracket	4
E6	RKC83Z	Bracket, Amp	1
E7	RGT1034Z	Name Plate	1
E8	RJP0F11Z	Din Cord	1
E9	RJP0F12Y	Speaker Harness	1
E10	XSN5+16S	Screw, Bracket M'tg	4 S
E11	XWA5B	Washer	4 S
E12	XYN3+F12	Screw, IC M'tg	4
E13	XTV3+10G	Screw, Circuit Board	4
E14	XTV3+10J	Screw, Circuit Board M'tg	1
E15	XWG5F16	Washer	4 S
	RHE7033Z	Nut, Power Amp M'tg	2

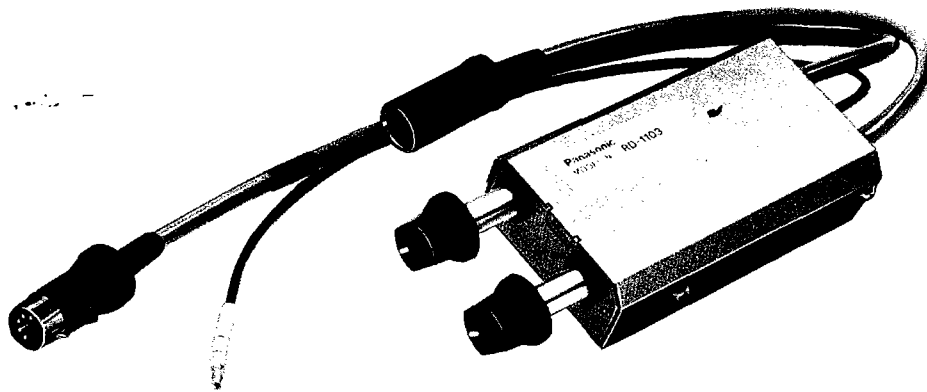
Service Manual

Car Audio

AUTO VOLUME

RD-1103

CUSTOM-MADE FOR HONDA



■ SPECIFICATIONS

Power Source: DC 12 V (From RM-1100)
 Test Voltage: DC 14 V
 Power Consumption: 20 mA
 Auto Volume
 OFF Gain: 0 dB

Auto Volume Gain
 Control: 6~16 dB
 Input Speed Control: 0~240 km/H
 Tone Control: 10 dB (10 kHz)
 Dimension: 54 (W)×25 (H)×97 (D) mm
 (2 $\frac{1}{8}$ "×1"×3 $\frac{7}{8}$ ")
 Weight: 0.18 kg (6 $\frac{1}{2}$ oz)

Specifications are subject to change without notice.

Panasonic®

Matsushita Engineering and
 Service Company
 50 Meadowland Parkway,
 Secaucus, New Jersey 07094

Panasonic Hawaii Inc.
 91-238 Kauhi St. Ewa Beach
 P.O. Box 774
 Honolulu, Hawaii 96808-0774

Matsushita Electric
 of Canada Limited
 5770 Ambler Drive, Mississauga,
 Ontario, L4W 2T3

Panasonic Sales Company,
 Division of Matsushita Electric
 of Puerto Rico, Inc.
 Ave. 65 De Infanteria, KM 9.7
 Victoria Industrial Park
 Carolina, Puerto Rico 00630

LOCATION OF CONTROLS AND COMPONENTS

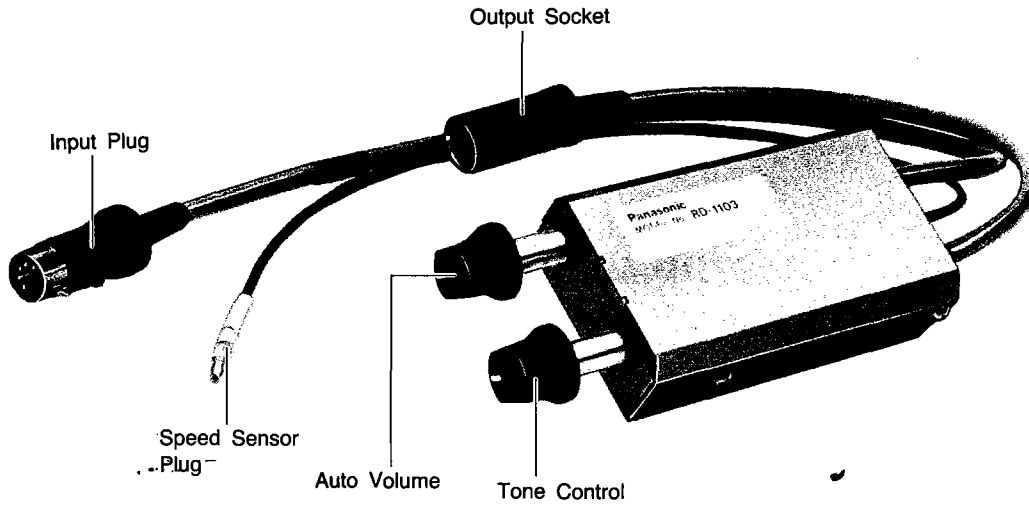


Fig. 1

DISASSEMBLY INSTRUCTIONS

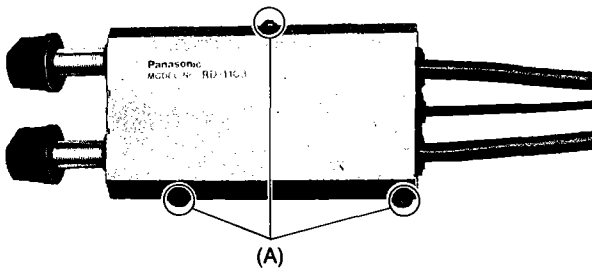


Fig. 2

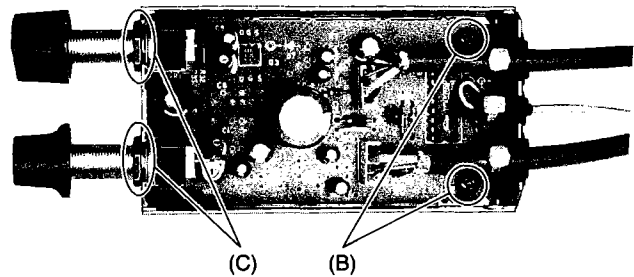
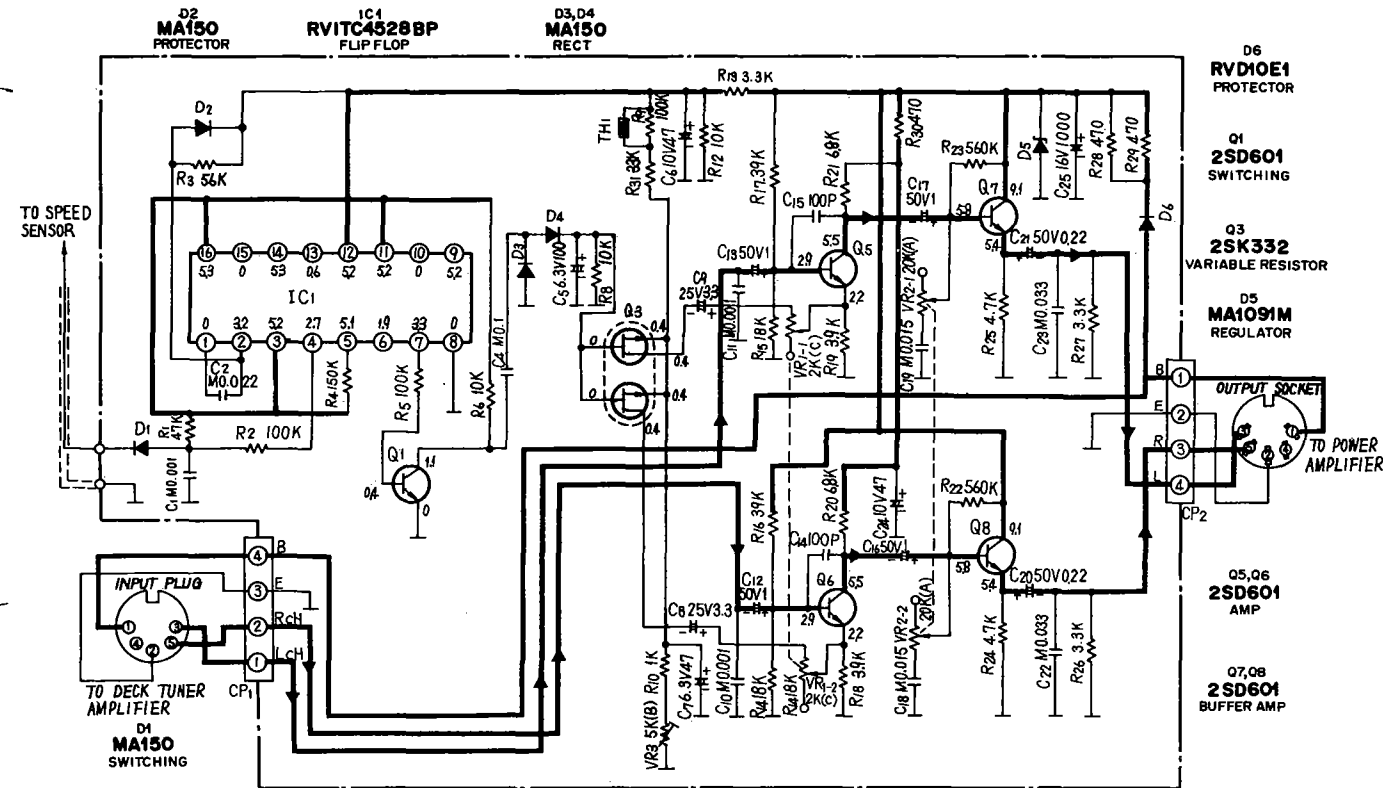


Fig. 3

Ref. No.	Procedure	Shown in Fig.—	To remove—	Remove—
1	1	2	Cover	Screw (3×6) (A)×3
2	1, 2	3	Circuit Board	Screw (3×6) (B)×2
3		3		Nut (Ø9) (C)×2

SCHEMATIC DIAGRAM MODEL RD-1103 (One FET Type)

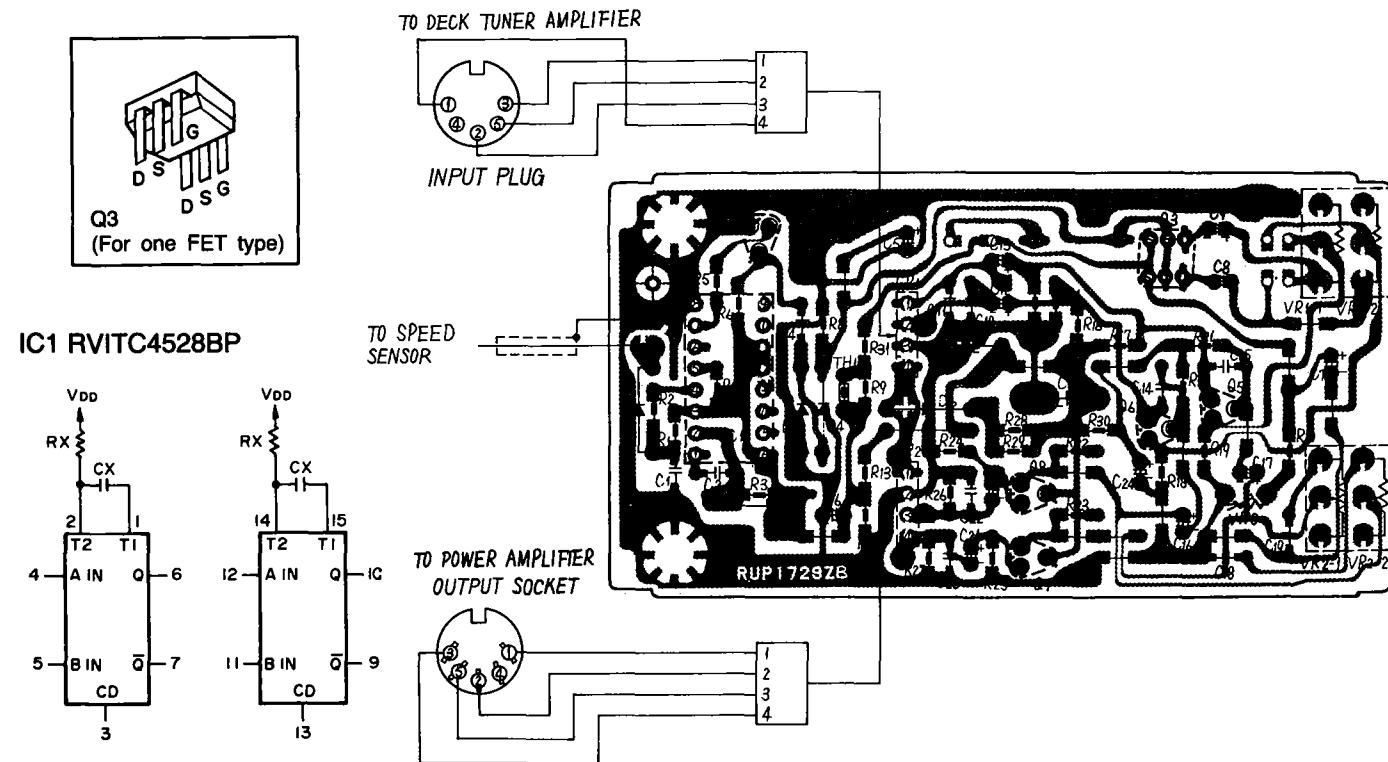


Notes:

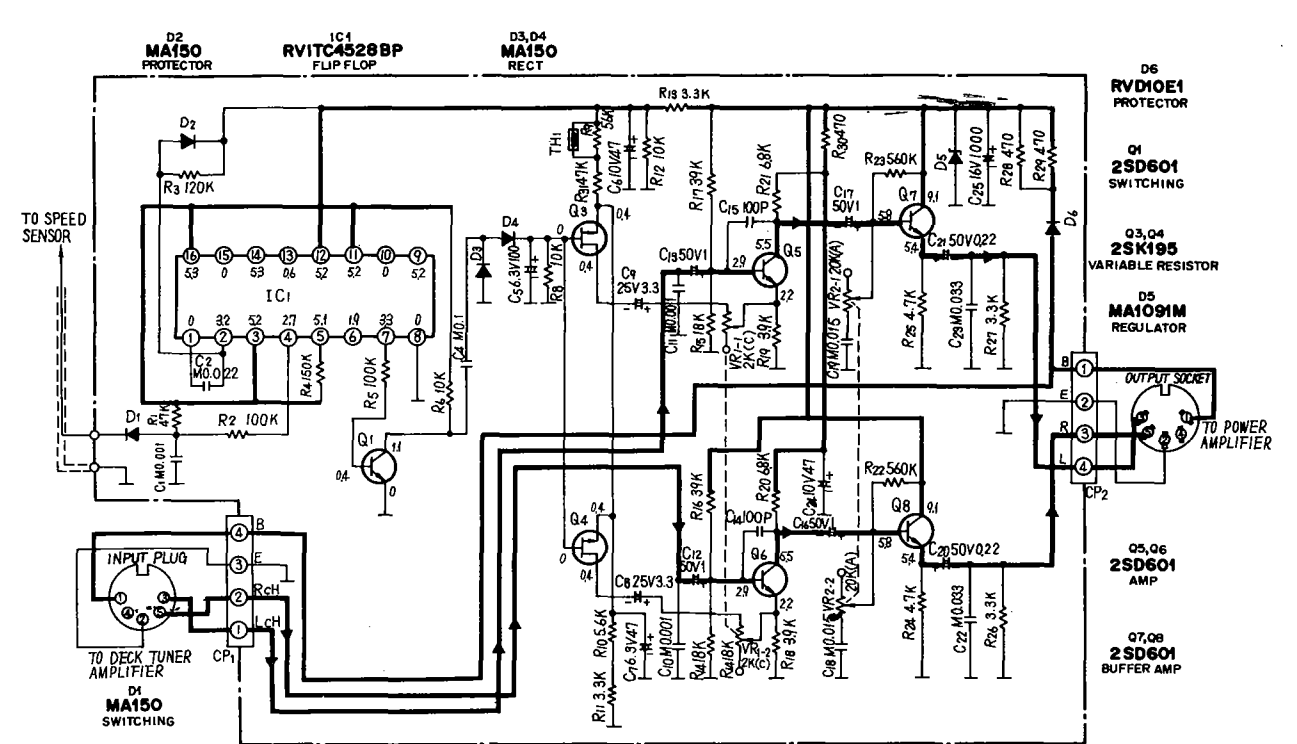
1. DC voltage measurements are taken with electronic voltmeter from negative voltage line.
2. VR1: Auto volume control VR.
VR2: Tone control VR.
VR3: Gain adjustment VR.

— Tape & AF Signal
 — + Voltage Line

CIRCUIT BOARD AND WIRING CONNECTION DIAGRAM MODEL RD-1103 (One FET Type)



SCHEMATIC DIAGRAM MODEL RD-1103 (Two FET Type)

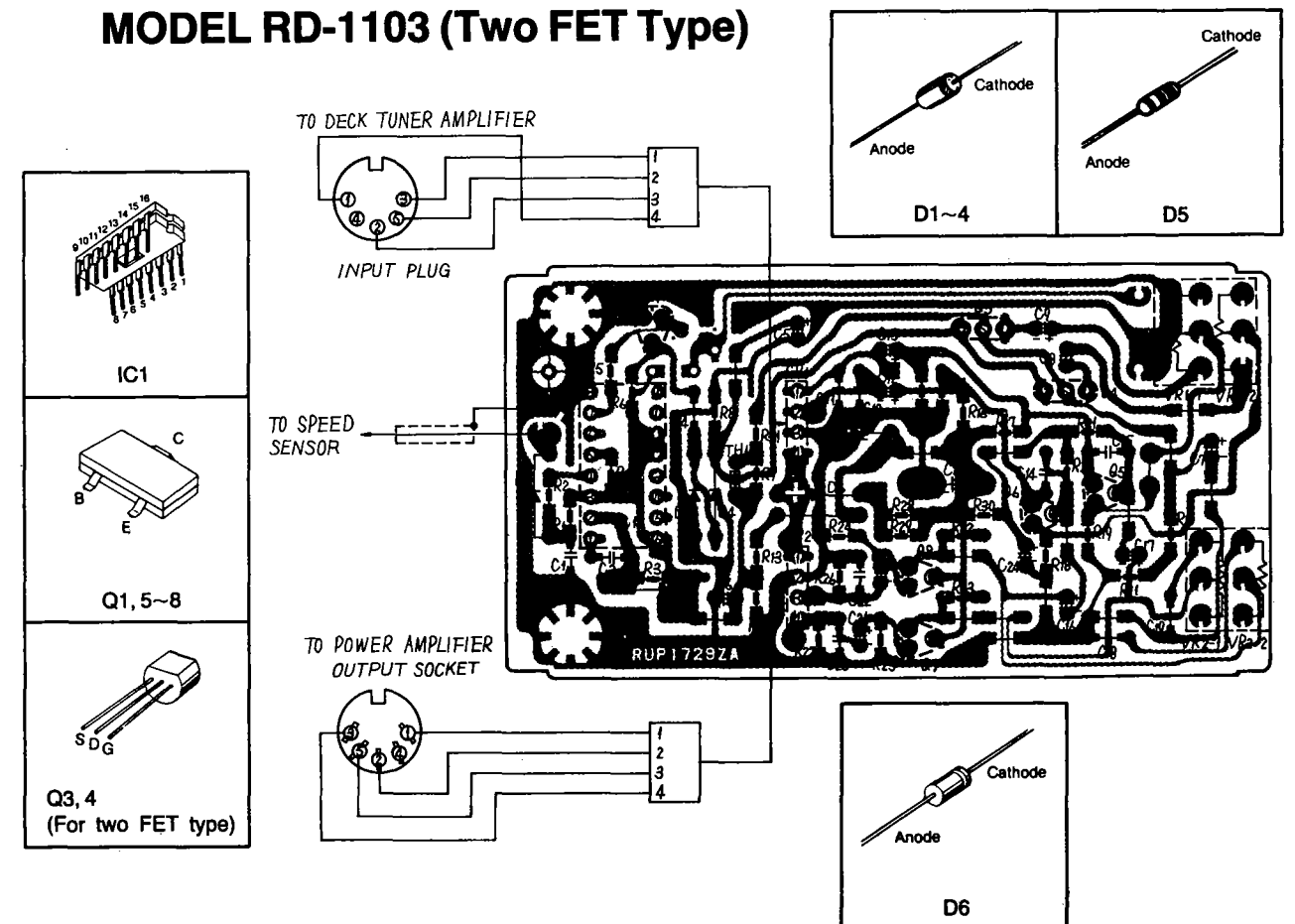


Notes:

1. DC voltage measurements are taken with electronic voltmeter from negative voltage line.
2. VR1: Auto volume control VR.
VR2: Tone control VR.

— Tape & AF Signal
 — + Voltage Line

CIRCUIT BOARD AND WIRING CONNECTION DIAGRAM MODEL RD-1103 (Two FET Type)



MEASUREMENTS AND ADJUSTMENTS

■ GAIN ALIGNMENT (For one FET Type)

1. Set tone control to maximum. 2. Auto volume control to center.				
RC OSCILLATOR ①	RC OSCILLATOR ②	AC VOLTMETER	ADJUSTMENT	REMARKS
Connect to input plug. ③...Lch ⑤...Rch ②...E (1 kHz, 1 mV)	Connect to speed sensor. (100 Hz, 5 V) (Rectangular Wave)	Connect to output socket. ③...Lch ⑤...Rch ②...E	VR3	Adjust VR3 so that 6±0.5 dB is increased to the output value on condition that speed sensor is disconnected.

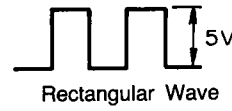
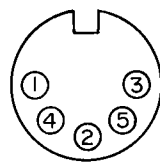
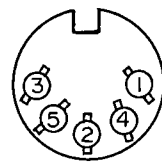


Fig. 4



Input Plug

Fig. 5



Output Socket

Fig. 6

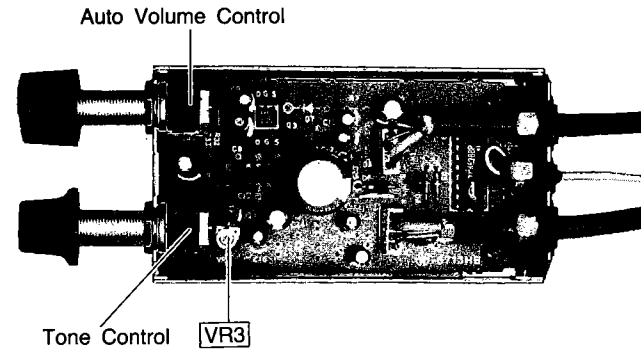


Fig. 7

ELECTRICAL PARTS LOCATION

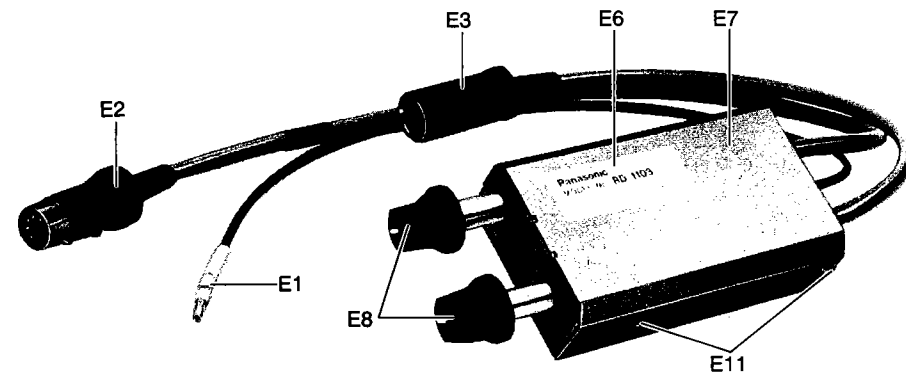


Fig. 8

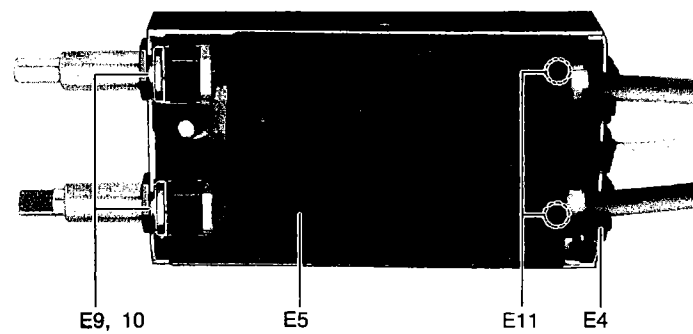


Fig. 9

■ REPLACEMENT PARTS LIST.....RD-1103

(RD83072083C1)

- Notes:**
 1. Important safety notice.
 Components identified by Δ mark have special characteristics important for safety.
 When replacing any of these components, use only manufacturer's specified parts.
 2. The S mark indicates service standard parts and may differ from production parts.
 3. RESISTORS & CAPACITORS
 Unless otherwise specified.
 All resistors are in OHMS (Ω) K=1000Ω, M=1000kΩ
 All capacitors are in MICRO FARADS (μF) P=μμF

* Type & Wattage of Resistor

ERC: Solid	ERX: Metal Film	ERW: Wirewound Resistor
ERD: Carbon	ERG: Metal Oxide	ERS: Fusible Resistor
RRD: Chip	ERO: Metal Film	ERF: Cement Resistor

Wattage
 10,16:1/8W | 14,25:1/4W | 12:1/2W | 1:1W | 2:2W | 3:3W

* Type & Voltage of Capacitor

ECFW: Semi-conductor	ECQD, ECKD, ECBT: Ceramic
ECQS: Styrol	ECQA, ECQV, ECQG: Polyester
ECUX: Chip	ECBA, ECBSZ : Electrolytic
ECMS: Mica	ECQP : Polypropylene

Voltage

ECQ Type	ECQG, ECQV, Type	ECBSZ Type	Others
1H: 50V	0,5: 50V	0F: 3.15V	OJ : 6.3V
2A: 100V	1: 100V	1A: 10V	1A : 10V
2E: 500V	2: 200V	1V: 35V	1C : 16V
2H: 500V		OJ: 6.3V	1E, 25: 25V

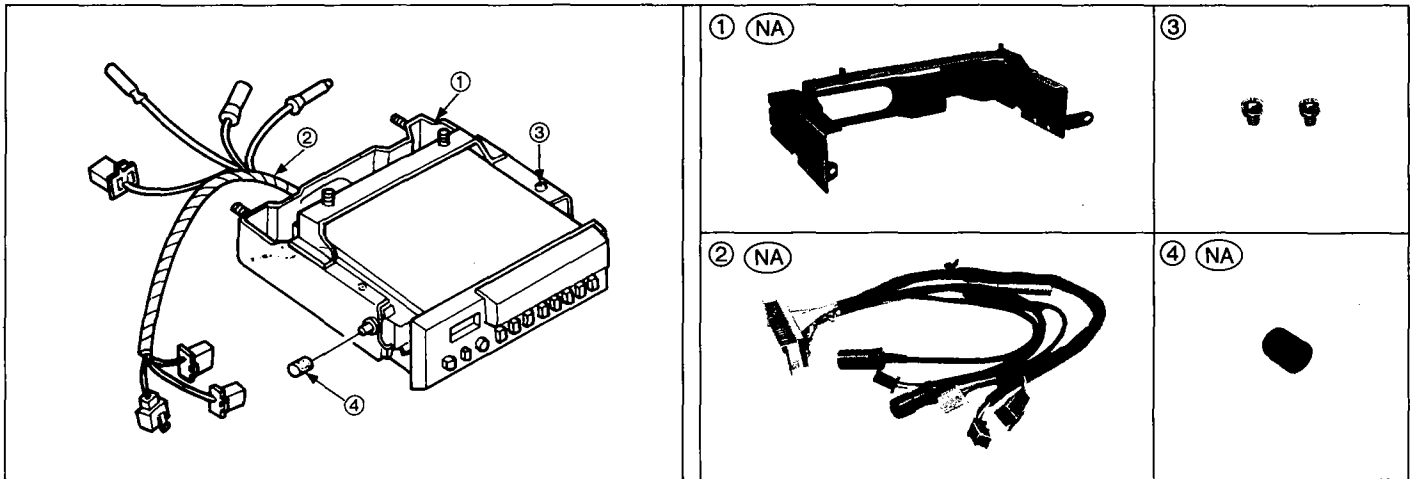
Ref. No.	Part No.	Value	Ref. No.	Part No.	Value
RESISTORS					
R1	RRD18XJ473	47K			
R2	RRD18XJ104	100K			
R3	RRD18XJ563	56K			
R4	RRD18XJ154	150K			
R5	RRD18XJ104	100K			
R6	RRD18XJ103	10K			
R8	RRD18XJ103	10K			
R9	RRD18XJ104	100K			
R10	RRD18XJ102	1K			
R12	RRD18XJ103	10K			
R13	RRD18XJ332	3.3K			
R14	RRD18XJ183	18K			
R15	RRD18XJ183	18K			
R16	RRD18XJ393	39K			
R17	RRD18XJ393	39K			
R18	RRD18XJ392	3.9K			
R19	RRD18XJ392	3.9K			
R20	RRD18XJ682	6.8K			
R21	RRD18XJ682	6.8K			
R22	RRD18XJ564	560K			
R23	RRD18XJ564	560K			
R24	RRD18XJ472	4.7K			
R25	RRD18XJ472	4.7K			
R26	RRD18XJ332	3.3K			
R27	RRD18XJ332	3.3K			
R28	RRD18XJ471	470			
R29	RRD18XJ471	470			
R30	RRD18XJ471	470			
R31	RRD18XJ333	33K			
CAPACITORS					
C1	ECUX1H102MD	0.001			
C2	ECUX1H223MD	0.022			
C4	ECUX1E104MD	0.1			
C5	ECEA0JK101	100			
C6	ECEA1AK470	47			
C7	ECEA0JK470	47			
C8	ECEA1EK3R3	3.3			
C9	ECEA1EK3R3	3.3			
C10	ECUX1H102MD	0.001			
C11	ECUX1H102MD	0.001			
C12	ECEA1HK010	1			
C13	ECEA1HK010	1			
C14	ECUX1H101K	100P			
C15	ECUX1H101K	100P			
C16	ECEA1HK010	1			
C17	ECEA1HK010	1			
C18	ECUX1E153MD	0.015			
C19	ECUX1E153MD	0.015			
C20	ECEA1HKR22	0.22			
C21	ECEA1HKR22	0.22			
C22	ECUX1E333MD	0.033			
C23	ECUX1E333MD	0.033			
C24	ECEA1AK470	47			
C25	ECEA1CSS102	0.001			
INTEGRATED CIRCUIT, TRANSISTORS AND DIODES					
IC1	RVITC4528BP	IC	1		
Q1, 5~8	2SD601Q	Transistor (Si)	5		
Q3	2SK332D	Transistor (Si), For One FET Type	1		
Q3, 4	2SK195F1	Transistor (Si), For Two FET Type	2		
D1~4	MA161	Diode (Si)	4	S	
D5	MA1091M	Diode (Si)	1		
D6	SM112	Diode (Si)	1	S	
THERMISTOR					
Th1	RRT103	Thermistor	1		
VARIABLE RESISTORS					
VR1	EVK07A330C23	Variable Resistor, 2KΩ (C)	1		
VR2	EVK93A330A24	Variable Resistor, 20KΩ (A)	1		
VR3	EVNA6AA00B53	Variable Resistor, Pre-Set, 5KΩ (B), For One FET Type	1		
ELECTRICAL PARTS					
E1	RJP0F14Y	Plug with Cord	1		
E2	RJP0F15Y	Plug with Cord, CP1	1		
E3	RJS0R2Y	Socket with Cord, CP2	1		
E4	RHG2033Z	Rubber, Cord	1		
E5	RHG1080Z	Cushion, Circuit Board	1		
E6	RGT1036Z	Name Plate	1		
E7	RKF668Z	Cover	1		
E8	RBN664Z	Knob	2		
E9	XWSR9FZ	Washer	2		
E10	RHE7034Z	Nut	4		
E11	XTV3+6F	Screw, Circuit Board M'tg	5		

Service Manual

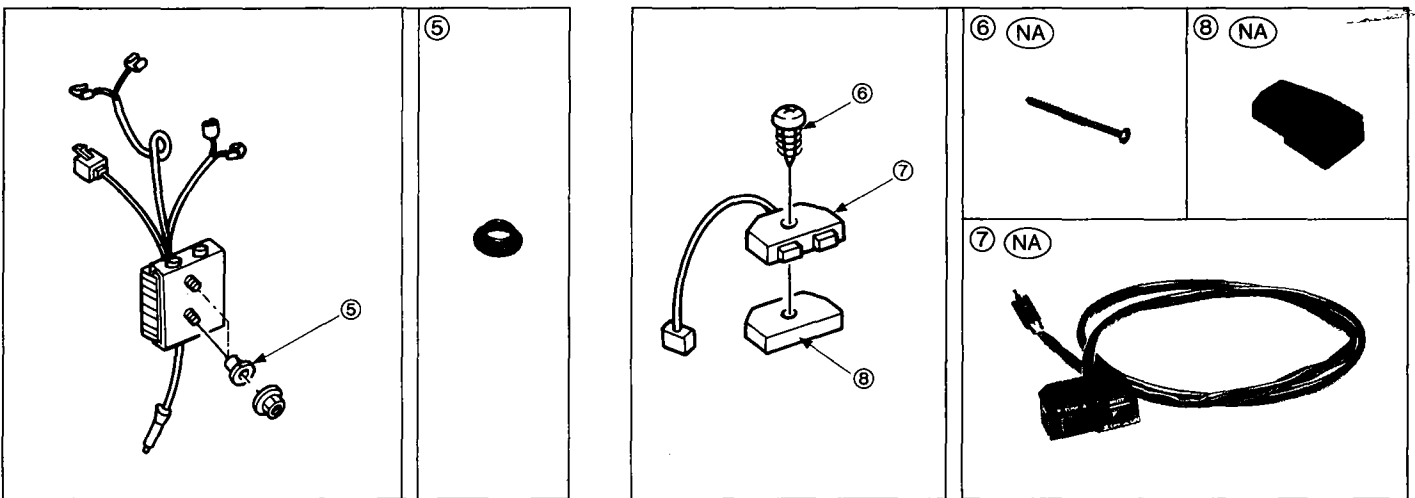
Car Audio

RM-1100 ACCESSORIES CUSTOM-MADE FOR HONDA

■ RADIO CASSETTE ACCESSORY



■ POWER AMPLIFIER ACCESSORY



■ REPLACEMENT PARTS LIST

Note: Parts or components marked with (NA) and unlisted are not available as replacement parts.

Ref. No.	Part No.	Part Name & Description	Pcs/set	Remarks
1	—	Bracket	1	
2	—	Harness	1	
3	XYN4+C6	Screw, Harness and Bracket M'tg	8	
4	—	Cap, Radio Bracket	1	
5	RHM173Z	Collar, Main AMP.	2	
6	—	Screw, Remote Switch	1	
7	—	Remote Switch	1	
8	—	Spacer, Remote Switch	1	

Panasonic®

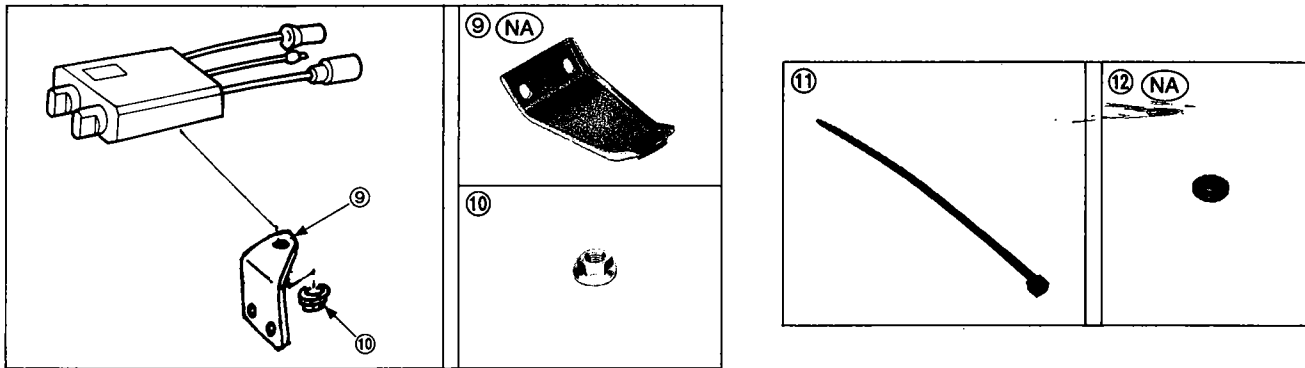
Matsushita Engineering and Service Company
50 Meadowland Parkway,
Secaucus, New Jersey 07094

Panasonic Hawaii Inc.
91-238 Kauhū St. Ewa Beach
P.O. Box 774
Honolulu, Hawaii 96808-0774

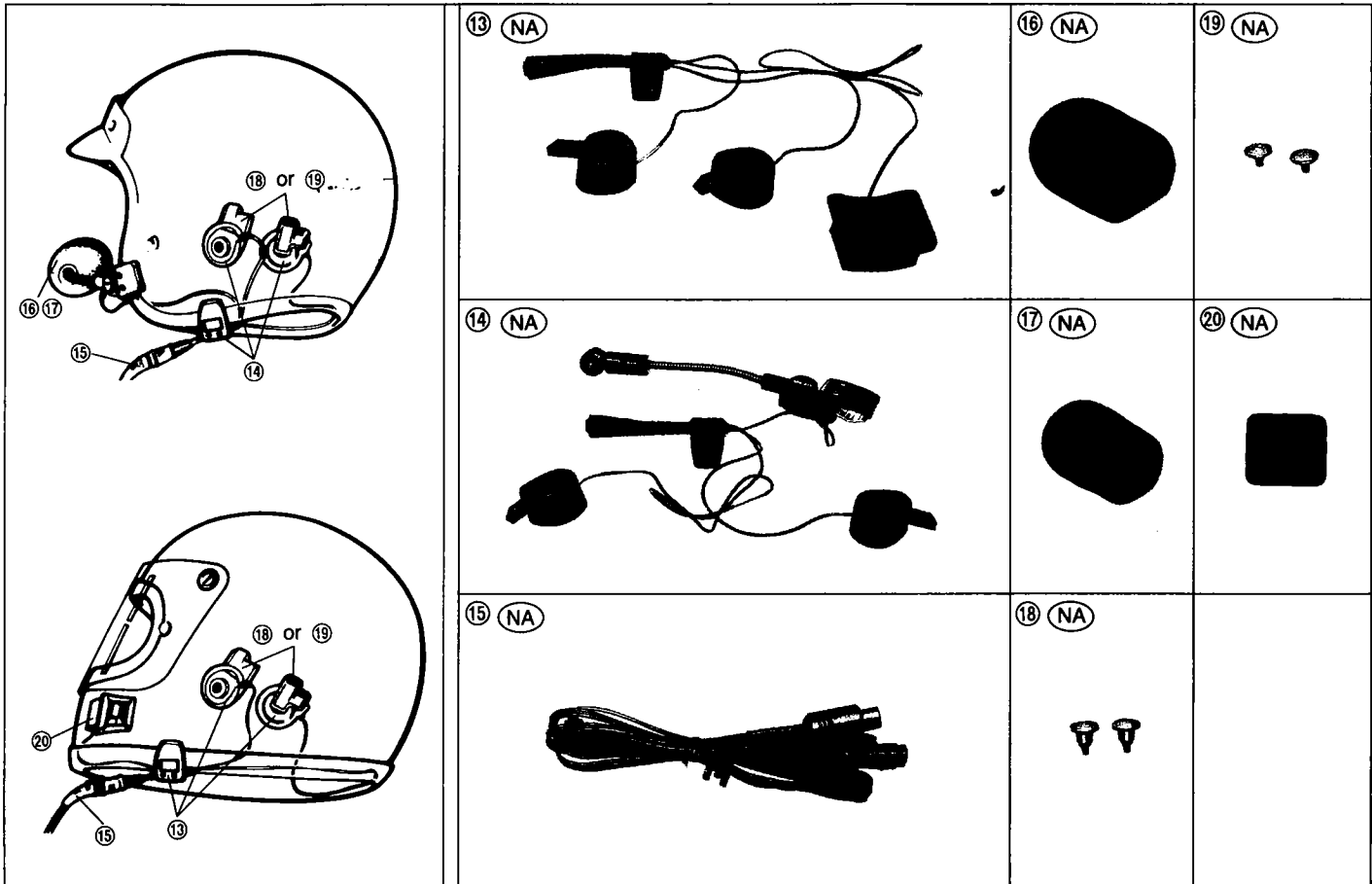
Matsushita Electric of Canada Limited
5770 Ambler Drive, Mississauga,
Ontario, L4W 2T3

Panasonic Sales Company,
Division of Matsushita Electric of Puerto Rico, Inc.
Ave. 65 De Infanteria, KM 9.7
Victoria Industrial Park
Carolina, Puerto Rico 00630

■ AUTO VOLUME ACCESSORY

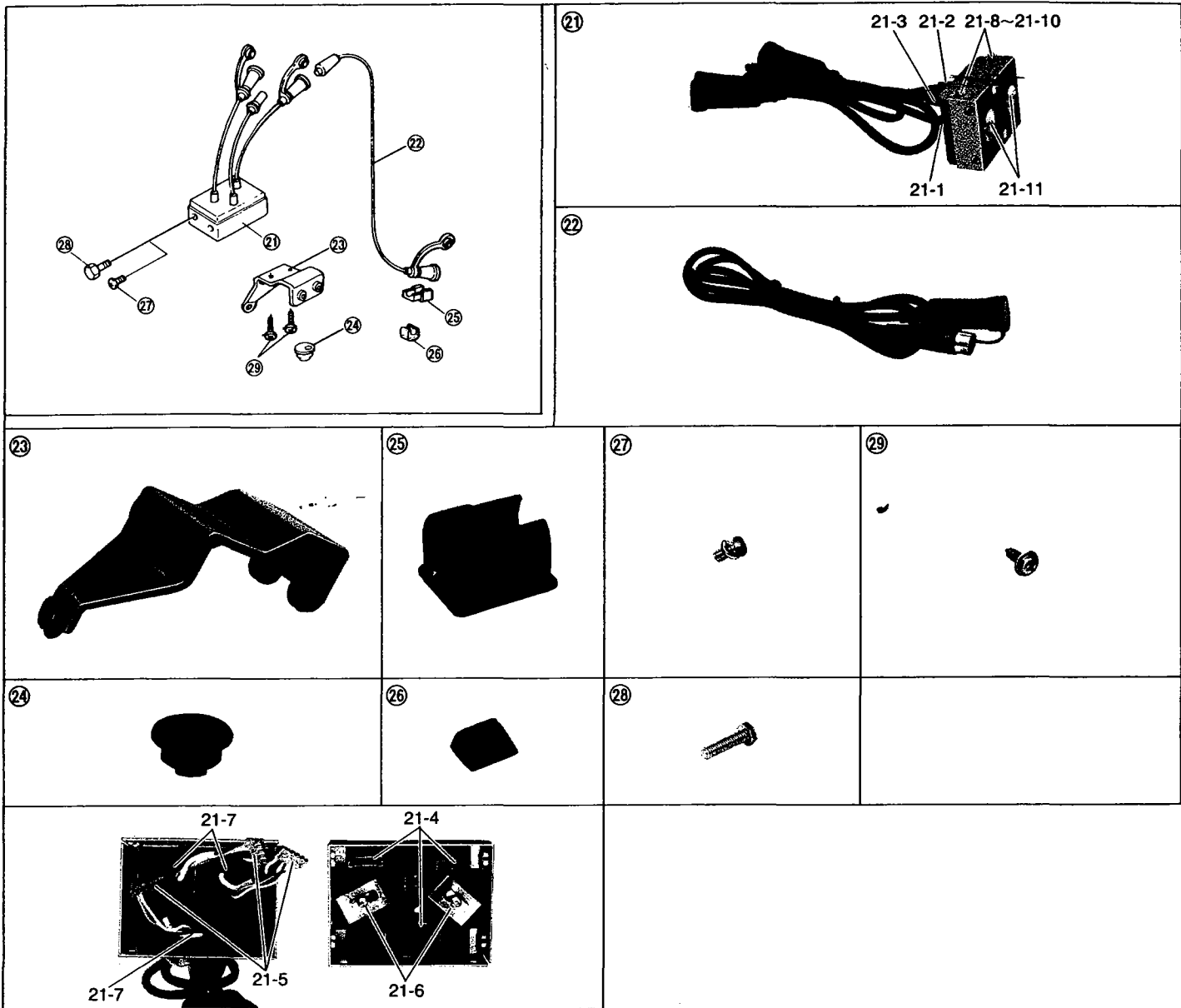


■ HEAD SET ACCESSORY



Ref. No.	Part No.	Part Name & Description	Pcs/set	Remarks
9	—	Bracket, Auto Volume	1	
10	RHE7035Z	Nut, Auto Volume	1	
11	RHR168Z	Wire Band	2	
12	—	Cap, Socket Bolt	4	
13	—	Head set (Full-Face Type)	1	
14	—	Head set (Open-Face Type)	1	
15	—	Cord (with Plug)	1	
16	—	Wind Shield (Open-Face Type)	1	
17	—	Wind Shield (Open-Face Type)	1	
18	—	Screw	2	
19	—	Screw	2	
20	—	Wind Shield (Full-Face Type)	1	

■ JUNCTION BOX ACCESSORY



Ref. No.	Part No.	Part Name & Description	Pcs/set	Remarks
21	RJE144Z	Junction Box	1	
21-1	RWR49210A20	Cord Ass'y, AM/FM Radio	1	
21-2	RWR49211A20	Cord Ass'y, Passenger	1	
21-3	RWR49212A20	Cord Ass'y, Driver	1	
21-4	RWR4023A20	Plug,	3	
21-5	RWR4001A20	Socket	3	
21-6	RWR6501A20	Speed Nut	2	
21-7	RWR6502A20	Stopper	3	
21-8	XSN3+5FN	Screw	4	
21-9	XWG3FN	Washer	4	
21-10	XWA3FN	Washer	4	
21-11	XSN4+6FN	Screw	2	
22	RJP0F19Z	Cord (with Plug)	1	
23	RWV6323A9	Bracket Ass'y	1	
24	RHG725Z	Grommet, Harness	1	
25	RHG2044Z	Connector Holder	2	
26	RHG2045Z	Hook Lead	3	
27	XYN4+C6	Screw	4	
28	XVG4A16	Bolt	4	
29	XTW4+12D	Screw	2	

