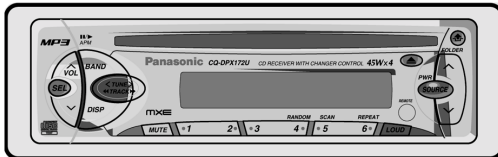


Service Manual

AUTOMOTIVE CONSUMER ELECTRONICS


MP3


CQ-DPX172U

Removable Front Panel MP3 CD Player
/ Receiver with Changer Control

Specifications*

General

Power Supply	DC 12V (11V - 16V), Test Voltage 14.4V Negative Ground
Tone Adjustment Range	Bass ; ± 12 dB at 100Hz Treble ; ± 12 dB at 10kHz
Current Consumption	Less than 2.2A (CD play mode, 0.5W \times 4ch)
Maximum Power Output	45W \times 4ch (at 1kHz, Vol. Max.)
Suitable Speaker Impedance	4-8 Ω
Pre-AMP Output Voltage	2V (CD play mode; 1kHz, 0dB)
Output Impedance	200 Ω

FM Stereo Radio

Frequency Range	87.9 - 107.9MHz
Usable Sensitivity	11.0 dBf (1.25 μ V, 75 Ω)

AM Radio

Frequency Range	530 - 1,710kHz
Usable Sensitivity	28dB/ μ V (25 μ V, S/N 20dB)

CD Player

Sampling Frequency	32 times over sampling
Pick-Up Type	Astigma 3-beam
Light Source	Semiconductor Laser

Wavelength	780nm
Frequency Response	20Hz to 20,000Hz (± 1 dB)
Signal to Noise Ratio	96dB
Wow and Flutter	Below measurable limits
Channel Separation	75dB

Dimensions**	7"x1 15/16"x5 7/8" (178x50x150mm)
--------------	--------------------------------------

Weight**	3lbs. 5oz (1.5kg)
----------	-------------------

* Specifications and the design are subject to possible modification without notice due to improvements.

** Dimensions and Weight shown are approximate.

Above specifications comply with EIA standards.

Panasonic®

© 2002 Matsushita Communication Industrial Co., Ltd. All rights reserved. Unauthorized copying and distribution is a violation of law.

⚠ WARNING

This service information is designed for experienced repair technicians only and is not designed for use by the general public. It does not contain warnings or cautions to advise non-technical individuals of potential dangers in attempting to service a product. Products powered by electricity should be serviced or repaired only by experienced professional technicians. Any attempt to service or repair the product or products dealt with in this service information by anyone else could result in serious injury or death.

IMPORTANT SAFETY NOTICE

There are special components used in this equipment which are important for safety. These parts are marked by ⚠ in the Schematic Diagrams, Circuit Board Diagrams, Exploded Views and Replacement Parts List. It is essential that these critical parts should be replaced with manufacturer's specified parts to prevent shock, fire or other hazards. Do not modify the original design without permission of manufacturer.

CONTENTS

	Page		Page
1 FEATUERS	2	10 PACKAGE AND IC BLOCK DIAGRAM	7
2 REPLACEING THE FUSE	2	11 REPLACEMENT PARTS LIST	10
3 MAINTENANCE	2	12 EXPLODED VIEW (Unit)	15
4 NOTES	2	13 CD PLAYER PARTS	16
5 DIMENSIONS	2	14 EXPLODED VIEW (CD Deck)	17
6 LASER PRODUCTS	2	15 PACKING PARTS LIST	18
7 WIRING CONNECTION	3	16 WIRING DIAGRAM	19
8 BLOCK DIAGRAM	4	17 SCHEMATIC DIAGRAM -1	24
9 TERMINALS DESCRIPTION	5	18 SCHEMATIC DIAGRAM -2	25

1 FEATUERS

- PLL (Phase Locked Loop) synthesized tuning.
- 18-FM, 6-AM presets with preset scan
- Digital servo for reliable CD playback.
- Removable face plate.

2 REPLACEING THE FUSE

Use fuses of the same specified rating (15A). Using different substitutes or fuses with higher ratings, or connecting the unit directly without a fuse, could cause fire or damage to the stereo unit.

3 MAINTENANCE

Your products is designed and manufactured to ensure a minimum of maintenance. Use a soft cloth for routine exterior cleaning. Never use benzine, thinner or other solvents.

4 NOTES

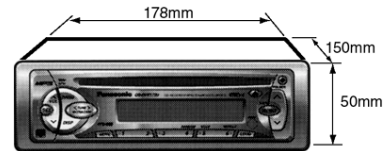
[RADIO BLOCK]

Do not align the AM/FM package block. When the package block is necessary, it will be supplied already aligned at the factory.

[CD DECK BLOCK]

This model has no servo alignment points because microcomputer controls the servo circuit.

5 DIMENSIONS



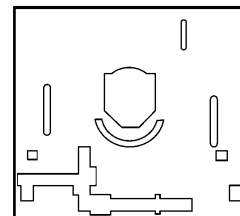
6 LASER PRODUCTS

CAUTION:

This product utilizes a laser diode with the unit turned "on", laser radiation is emitted from the pickup lens.

Laser radiation from the pickup lens is safety level, but be sure the followings:

1. Do not disassemble the optical pickup unit, since radiation from exposed laser diode is dangerous.
2. Do not adjust the variable resistor on the pickup unit. It was already adjusted.
3. Do not look at the focus lens using optical instruments.
4. Recommend not to look at pickup lens for a long time.

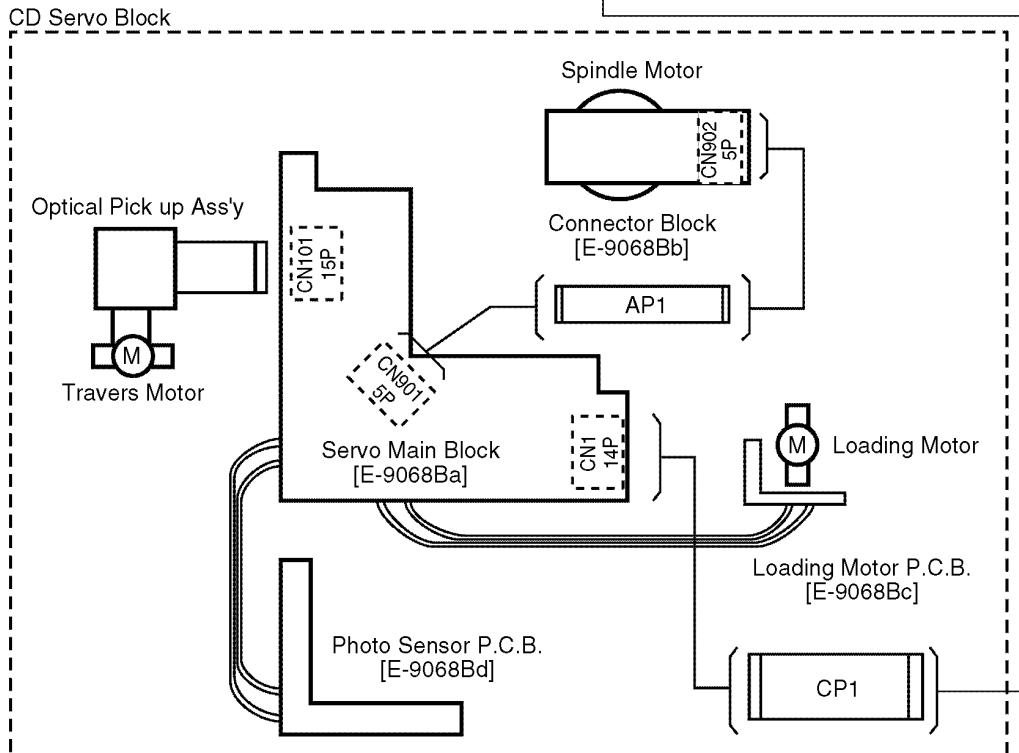
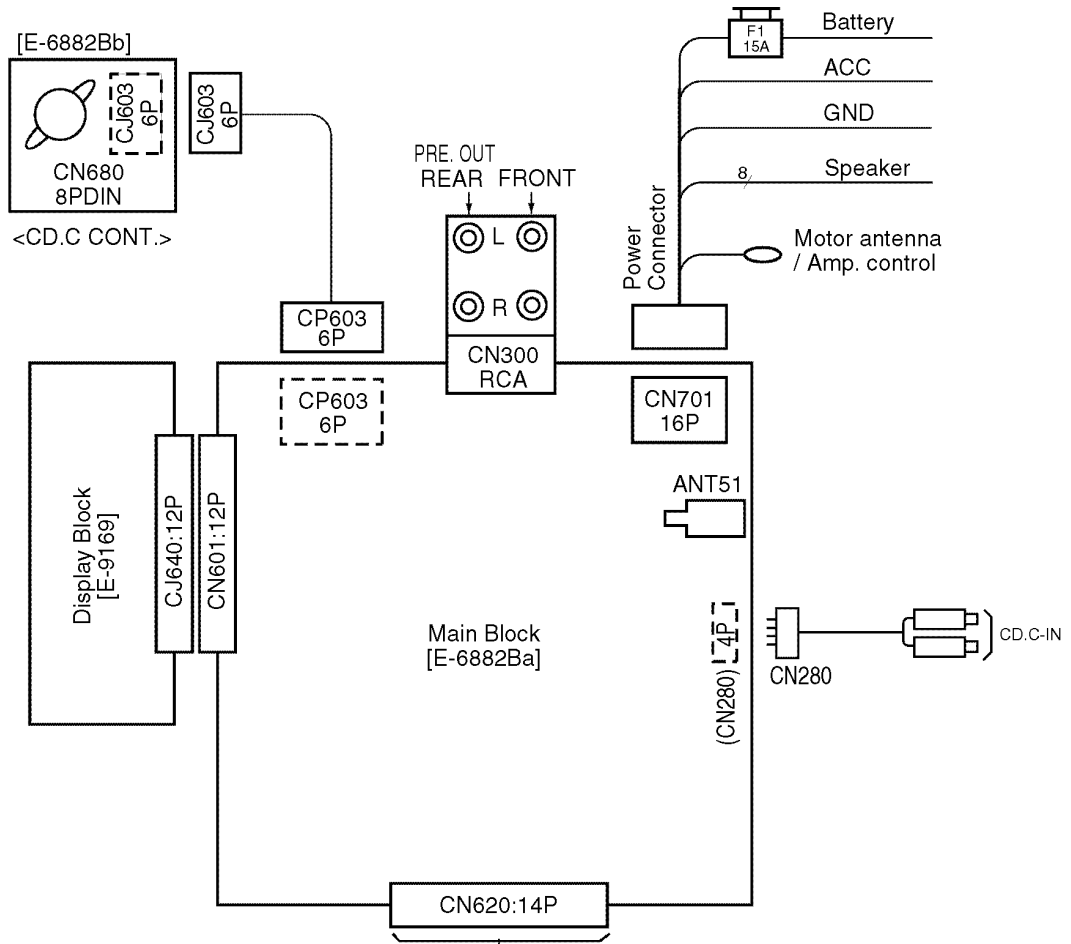


Deck Ass'y (Upper Side)

Caution

This Product utilizes a laser. Use of controls or adjustments or performance of procedures other than those specified herein may result in hazardous radiation exposure.

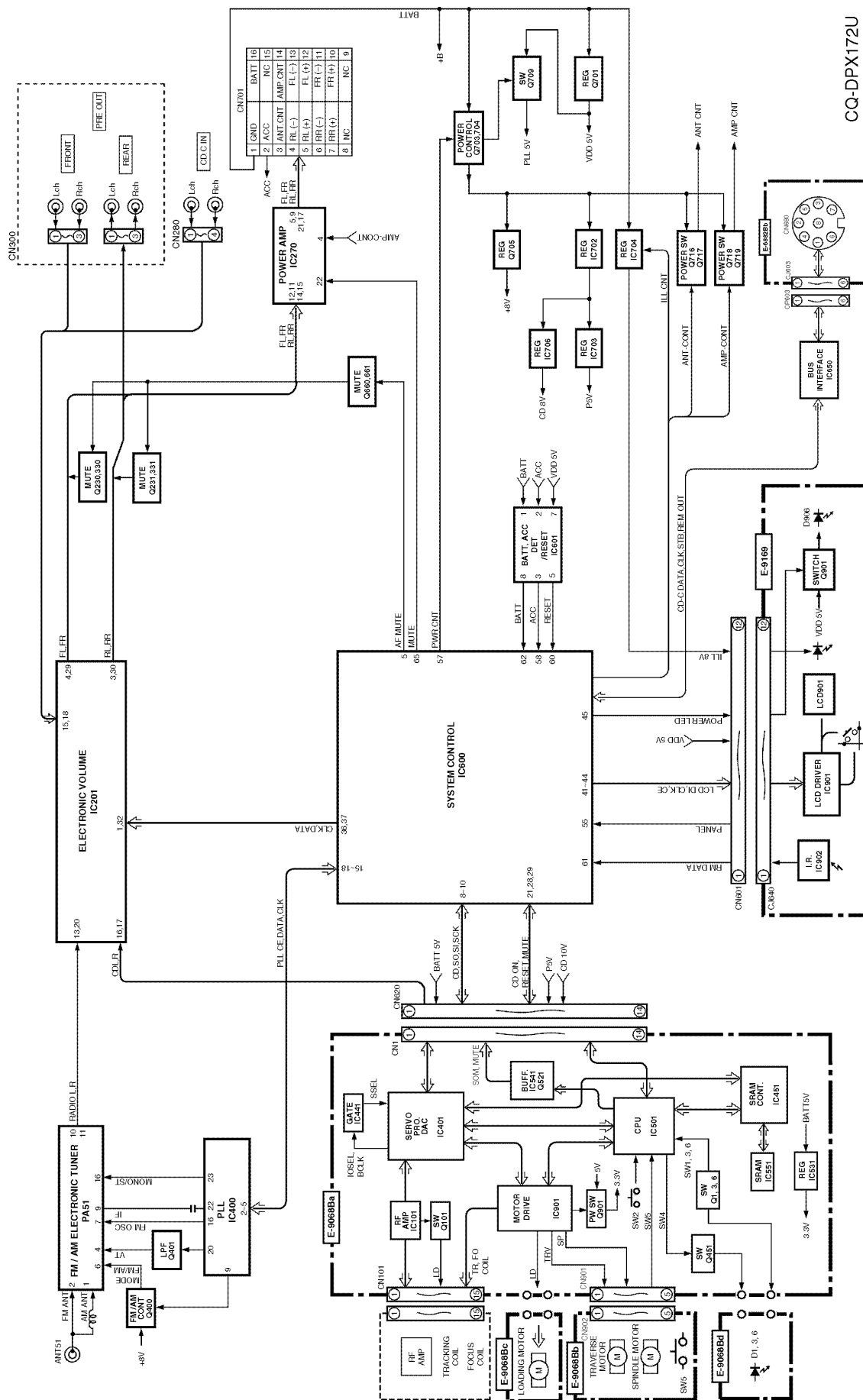
7 WIRING CONNECTION



<Note> :

-This mark shows a Ref. No. of connector
-This mark shows a mounting position of connector.

8 BLOCK DIAGRAM



CQ-DPX172U

9 TERMINALS DESCRIPTION

9.1. Main Block

IC600 : C2BBGF000292

Pin No.	Port	Description	I/O	(V)
1	INIT C	Initial C	I	4.9
2	NC	No connection	-	-
3	NC	No connection	-	-
4	AVSS	Analog ground	-	0
5	AF MUTE	AF mute	O	5.1
6	AMP.CNT	Power Amp. stand-by	O	5.0
7	AVREF	Reference voltage	-	5.1
8	CD-SO	CD data	I	3.2
9	CD-SI	CD data	O	3.8
10	CD-SCK	CD clock	O	5.0
11	CD.C DATA	CD changer data	O	0
12	NC	No connection	-	-
13	CD.C CLK	CD changer clock	O	0
14	REM OUT	CD changer remote cont. data	O	5.0
15	PLL CE	PLL controller chip enable	O	0
16	PLL DATA (MI)	Data from PLL	I	5.1
17	PLL DATA (MO)	Data for PLL	O	0
18	PLL CLK	Clock for PLL	O	0
19	NC	No connection	-	-
20	NC	No connection	-	-
21	CD-RESET	CD reset	O	5.0
22	NC	No connection	-	-
23	NC	No connection	-	-
24	NC	No connection	-	-
25	NC	No connection	-	-
26	NC	No connection	-	-
27	NC	(GND pull-down)	-	0
28	CD-ON	CD power on	O	5.0
29	CD-MUTE	CD mute control	I	0
30	CD-SW2	Not used	-	-
31	NC	No connection	-	-
32	NC	No connection	-	-
33	Vss	Ground	-	0
34	NC	No connection	-	-
35	/ST	FM stereo detection	I	4.5
36	IC2-CLK	Electronic volume clock	O	5.0
37	IC2-DATA	Electronic volume data	I/O	5.0
38	S.LED	Not used	-	-
39	NC	No connection	-	-
40	BZIN	Not used	-	-
41	LCD-DI (MO)	LCD data output	O	0
42	LCD-DO (MI)	LCD data input	I	5.0
43	LCD-CLK	LCD clock	O	0
44	LCD-CE	LCD chip enable output	O	0.2
45	POWER LED	Pilot lamp on	O	0
46	ANT.CONT	Motor antenna control	O	0
47	NC	No connection	-	-
48	NC	No connection	-	-
49	NC	No connection	-	-
50	BZOUT	Not used	-	-
51	NC	No connection	-	-
52	NC	No connection	-	-
53	NC	No connection	-	-
54	NC	No connection	-	-
55	PANEL	Panel detect	I	4.8
56	CD POWER	CD power control	O	5.1
57	PWR CNT	Power control	O	5.1
58	ACC	ACC detection	I	5.0

59	RDS DATA	Not used	-	-
60	/RESET	Reset input	I	5.1
61	REM	Remocon data input	I	5.1
62	BATT	Battery detection	I	5.0
63	RDS CLK	Not used	-	-
64	CD.C.STB	(Ground pull-down)	I	0
65	MUTE	Mute control	O	5.1
66	NC	(Connecting to ground)	-	0
67	VSS0	(Connecting to ground)	-	0
68	VDD	+5V power supply	-	5.1
69	X2	Crystal oscillator	-	3.0
70	X1	Crystal oscillator	-	1.7
71	VPP	(Ground pull-down)	-	0
72	NC	No connection	-	-
73	NC	No connection	-	-
74	VDD0	+5V power supply	-	5.1
75	AVREF	(Connecting to VDD)	-	5.1
76	NC	(Connecting to ground)	-	0
77	SD	Search detect	I	5.1
78	INIT D	Initial value D	I	0
79	INIT A	Initial value A	I	0
80	INIT B	Initial value B	I	0

Note 1 : Voltage measurements are with respect to ground, with a voltmeter (internal resistance : 10M ohms).

9.2. Display Block

IC901 : YEAMLC75854T

Pin No.	Port	Description	I/O	(V)
1-35	SEG9-35	LCD segment	O	2.5
36-39	NC	No connection	-	-
40-43	COM1-4	LCD common	O	2.5
44-49	KS1-6	Key data output	O	0.9
50-54	KI1-5	Key data input	I	0
55	TEST	(Connecting to ground)	-	0
56	VDD	+5V power supply	-	5.1
57	VDD1	Ground through capacitor	-	3.3
58	VDD2	Ground through capacitor	-	1.7
59	Vss	Ground	-	0
60	OSC	CR oscillator	-	3.9
61	DO	Key data output	O	4.4
62	CE	Chip enable	I	0
63	CLK	LCD clock	I	0
64	DI	LCD data input	I	0

9.3. CD Servo Block

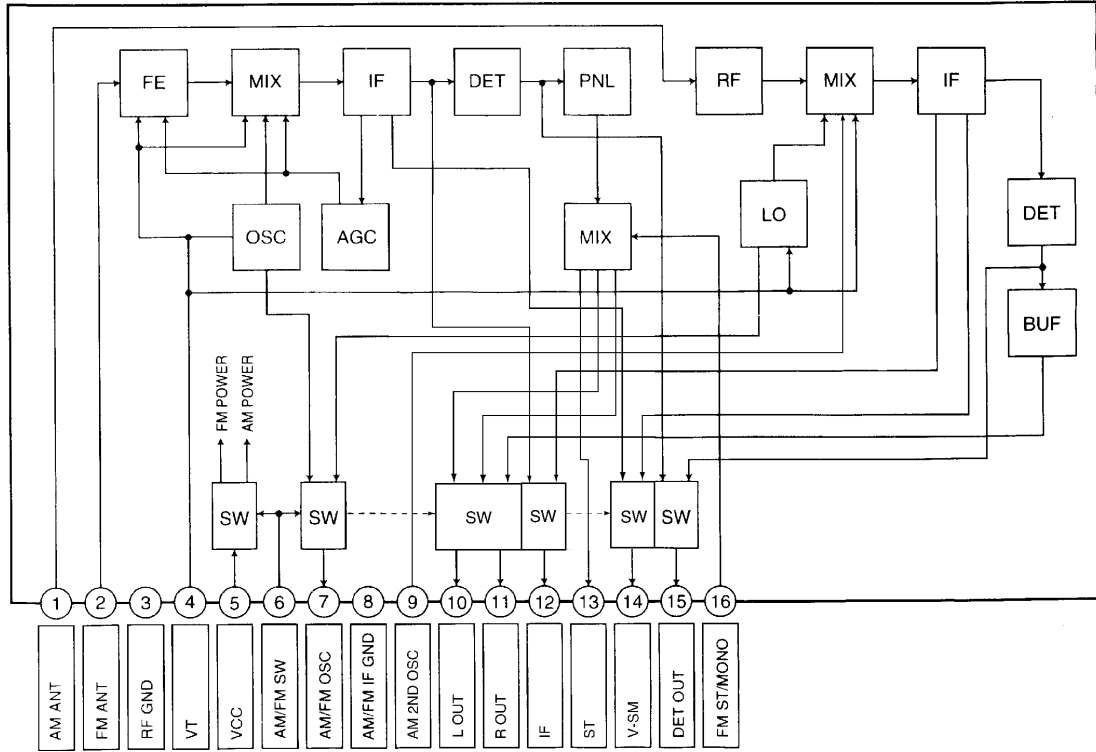
IC501 : MN101C28LAC

Pin No.	Port	Description	I/O	(V)
1	VREF-	Reference voltage for ADC (GND)	-	0
2	PA0	(Connecting to GND)	-	0
3	PA1	Disc-In sensor	I	2.9
4	PA2	Feeder arm SW	I	3
5	PA3	Disc-Out sensor	I	3
6	PA4	Clamp SW	I	0
7	PA5	Inner SW	I	3.3
8	PA6	Disc-In sensor	I	1.5
9	PA7	Not used	-	3.3
10	VREF+	Reference voltage for ADC (+3.3V)	-	3.3
11	VDD	Power supply (+3.3V)	-	3.3
12	OSC2	System clock (7.37MHz)	O	1.6
13	OSC1	System clock (7.37MHz)	I	1.5
14	VSS	Ground	-	0
15	XI	(Connecting to GND)	-	0
16	XO (NC)	No connection	-	-
17	MMOD	(Connecting to GND)	-	0
18	SOM	Serial data output	O	0.5
19	SIM	Serial data input	I	0.5
20	SCK	Shift clock for serial data	I	3
21	SB01/P03	No connection	-	-
22	SUBC	CD-TEXT data	I	0
23	SBCK	CD-TEXT clock	O	3.3
24	P06 (NC)	No connection	-	-
25	RESET	Reset input	I	3.3
26	MDATA	MPU communication data	O	1
27	MCLK	Shift clock for MDATA	O	2.5
28	SCK	Shift clock for serial data	I	2.2
29	STAT	Servo LSI status	I	0
30	TM4IO/P14	No connection	-	-
31	POBF	MP3 DSP status	I	0
32	DATAREQ	MP3 DSP NEXT data request	I	3
33	CD. ON	CD operation mode	I	3.2
34	DQSY	CD-TEXT/SUBQ sync.	I	0
35	BLKCK	BLKCK signal	I	3.3
36	SQCK	Clock for sub. code data	I	1.5
37	SUBQ	Sub. code data	I	0
38	SBT2/P32	(Connecting to GND)	O	0
39	MLD	MPU command load	O	3.3
40	ACK	MP3 DSP acknowledge	O	0
41	IOSEL	Servo LSI mode setting	O	3.3
42	VDD2	Power supply for flash write	-	3.3
43	VPP	Power supply for flash write	-	3.3
44	DSPP0	MP3 DSP data (bit0)	I/O	0
45	DSPP1	MP3 DSP data (bit1)	I/O	0
46	DSPP2	MP3 DSP data (bit2)	I/O	0
47	DSPP3	MP3 DSP data (bit3)	I/O	0
48	DSPP4	MP3 DSP data (bit4)	I/O	0
49	DSPP5	MP3 DSP data (bit5)	I/O	0
50	DSPP6	MP3 DSP data (bit6)	I/O	0
51	DSPP7	MP3 DSP data (bit7)	I/O	0
52	PCS	MP3 DSP chip select	O	0
53	PWE	MP3 DSP write enable	O	0
54	PRE	MP3 DSP read enable	O	1.3
55	PIBE	MP3 status for data input	I	3.3
56	DSRST	DSP reset	O	3.3
57	PRST	Servo LSI reset	O	2.2
58	STAT	Servo LSI status	I	0
59	DMUTE	Digital voice signal mute	O	0
60	TLOCK	Tracking lock	I	0
61	FLOCK	Focus lock	I	0
62	SENSE	Servo LSI detection	I	0
63	STOP	MP3 DSP stop	O	0

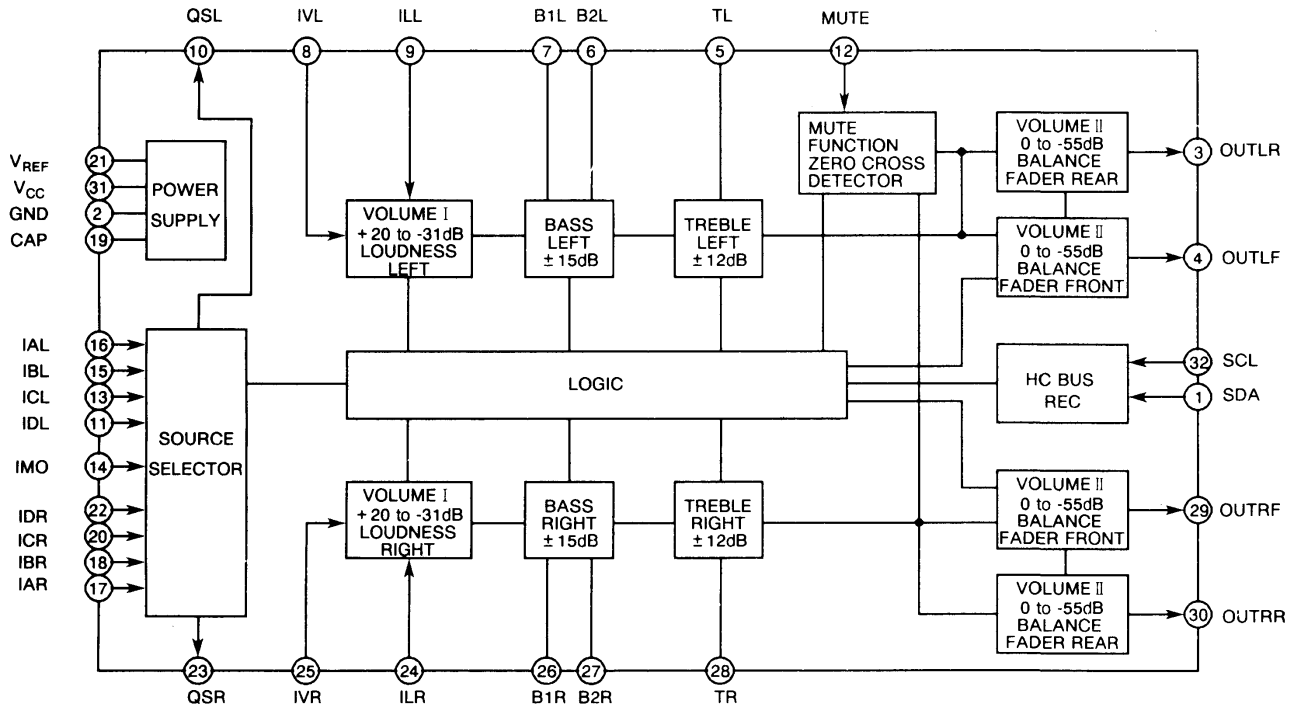
64	ERROR	MP3 DSP error detection	I	1.3
65	MUTE	Voice signal mute	O	2.5
66	TRV	Traverse motor control	I/O	1.6
67	PC1	Loading motor drive output cont.	O	0
68	PC2	Fo & Tr actuator driver output cont.	O	3.3
69	LOD	Loading motor control	I/O	1.6
70	P75 (NC)	No connection	-	-
71	P76 (NC)	No connection	-	-
72	GCTL	RF amp gain control	O	1.3
73	P87 (NC)	No connection	-	-
74	P86 (NC)	No connection	-	-
75	P85 (NC)	No connection	-	-
76	P84 (NC)	No connection	-	-
77	P83 (NC)	No connection	-	-
78	IPFLAG (NC)	No connection	-	-
79	PHOTO	Photo sensor power control	O	0
80	P80 (NC)	No connection	-	-

10 PACKAGE AND IC BLOCK DIAGRAM

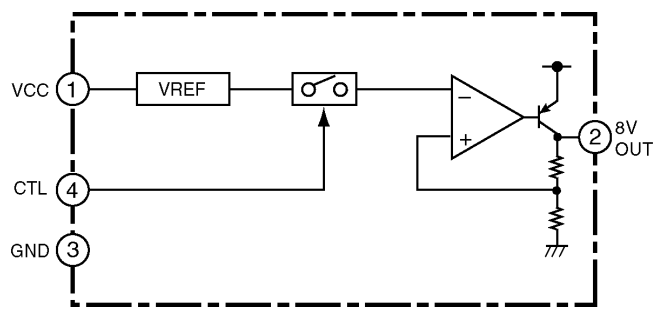
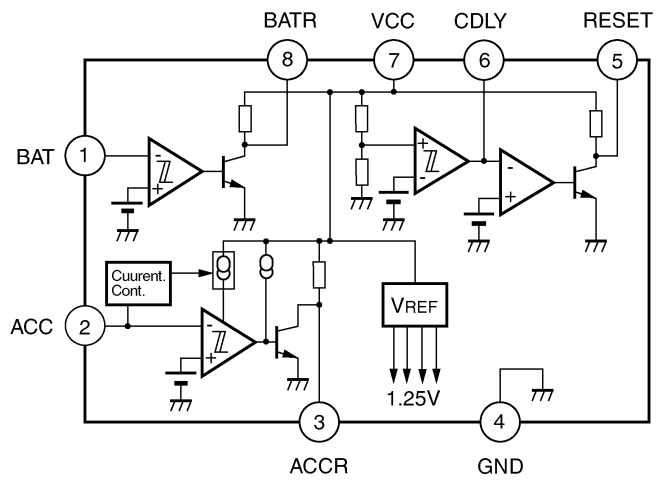
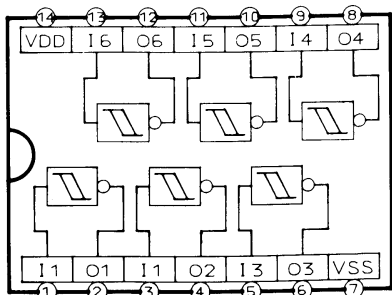
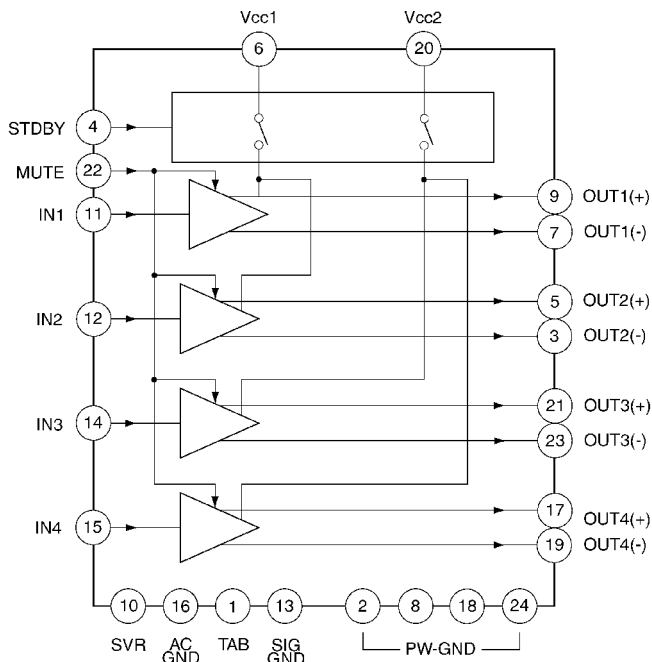
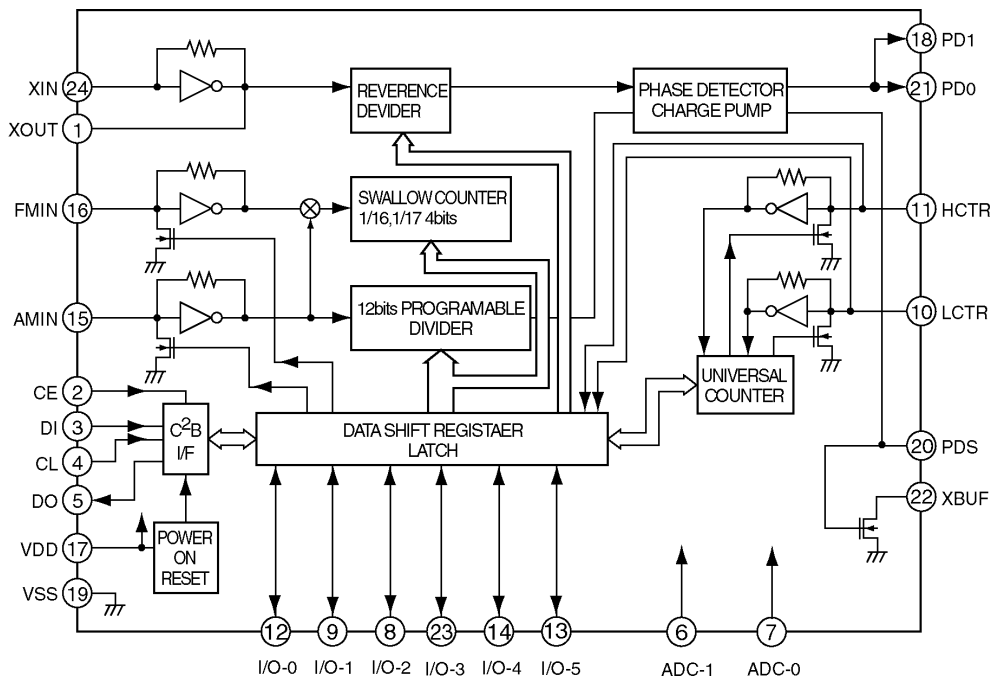
10.1. Main Block



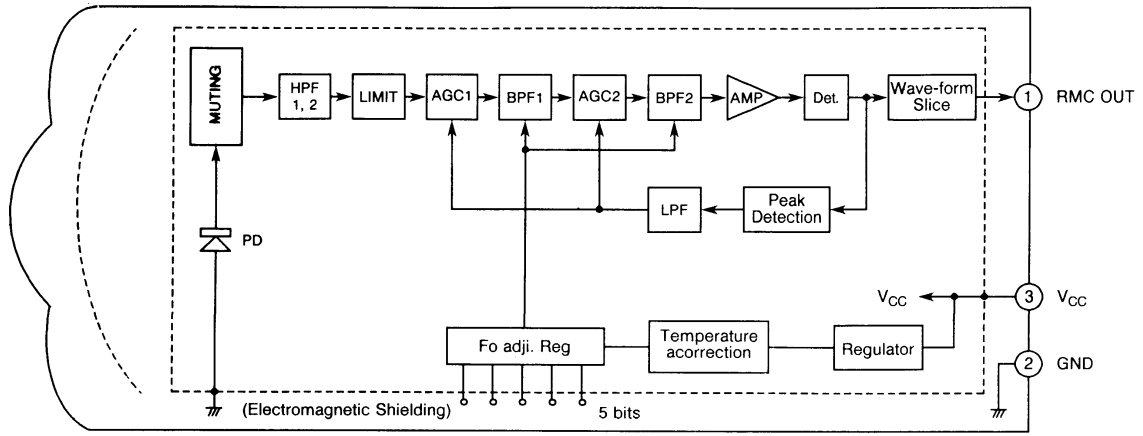
PA51 : C5BA0000092



IC201 : YEAMEA6320TT

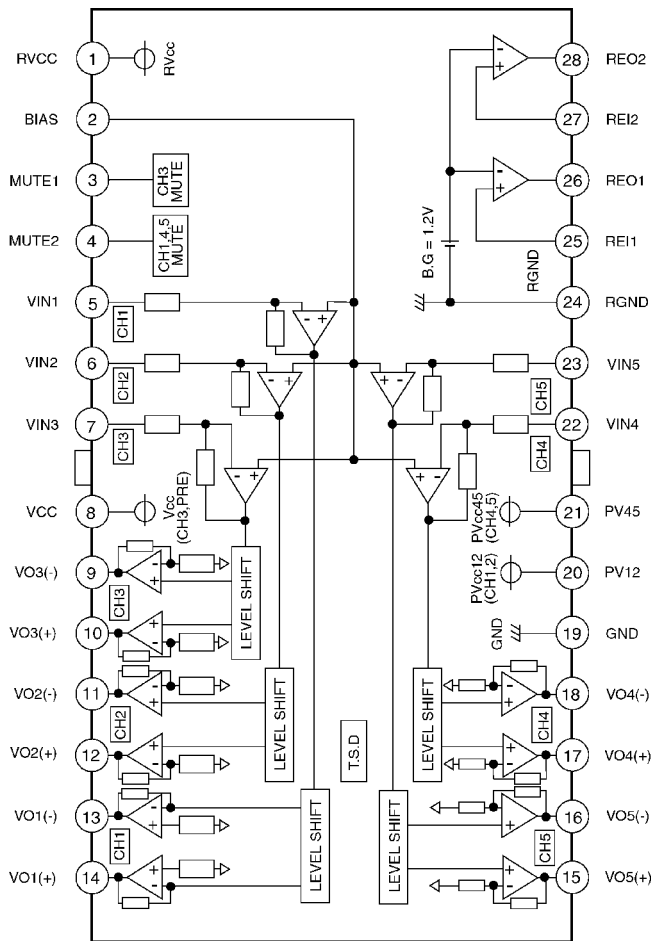


10.2. Display Block

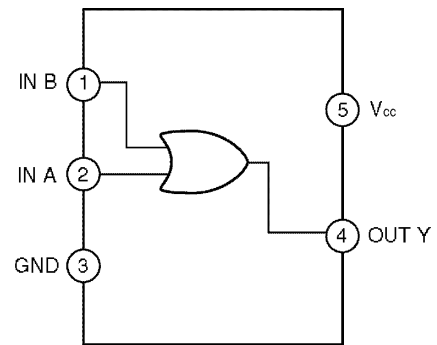


IC902 : YEAMSBX8035F

10.3. CD Servo Block



IC901 : C0GBY0000012



IC441 : C0JBAE000087
IC541 : YEAMT7ST32UL

11 REPLACEMENT PARTS LIST

Notes :

1. Be sure to make your orders of replacement parts according to this list.
2. Important safety notice: Components, identified by Δ ; mark have special characteristics important for safety. When replacing any of these components, use only manufacturer's specified parts.
3. Location keys in the remarks column indicates the general location of the parts shown in the exploded drawing, as in a road map.
4. The marking (RTL) indicates that Retention Time is limited for this item. After the discontinuation of assembly in production, the item will continue to be available for a specific period of time. The retention period of availability is dependent on the type of assembly, and in accordance with the laws governing part and product retention. After the end of this period, the assembly will no longer be available.

Ref. No.	Part No.	Part Name & Description	Remarks
[E-6882B] Main Block			
ICs AND TRANSISTORS			
IC201	YEAMEA6320TT	IC	
IC270	C1EA00000026	IC	
IC400	C1BB00000541	IC	
IC600	C2BBGF000292	IC	
IC601	AN8065SE1	IC	
IC650	YEAMC14584BE	IC	
IC702	YEAMPC2910HF	IC	
IC703	COCAADG00035	IC	
IC704	CODAZHF00003	IC	
IC706	YEAMPC2908HF	IC	
PA51	C5BA00000092	IC	
Q230	B1GBHBEA0004	Transistor	
Q231	B1GBHBEA0004	Transistor	
Q330	B1GBHBEA0004	Transistor	
Q331	B1GBHBEA0004	Transistor	
Q400	YEANFP1F3PT1	Transistor	
Q401	YEAN2SK536TB	Transistor	
Q660	B1GDCFJJ0002	Transistor	
Q661	B1GDCFJJ0002	Transistor	
Q701	YEAND1859T	Transistor	
Q703	B1BCCG000014	Transistor	
Q704	YEANFB1F3PT1	Transistor	
Q705	B1BACG000022	Transistor	
Q709	B1GDCFJN0004	Transistor	
Q716	B1BCCF000017	Transistor	
Q717	B1GBCFNL0001	Transistor	
Q718	B1BCCF000017	Transistor	
Q719	B1GBCFNL0001	Transistor	
DIODES			
D701	MA721TX	Diode	
D702	MA165TA	Diode	
D703	BOBA5R700006	Diode	
D705	MA165TA	Diode	
D706	YEADDA3A2	Diode	
D707	MA736TX	Diode	
D708	BOBA8R700011	Diode	
D728	YEAD11ES2T	Diode	
CAPACITORS			
C51	ECEA1AKS221I	Electrolytic, 220 μ F 10WV	
C52	YECUS1H103KX	Ceramic, 0.01 μ F 50WV	

Ref. No.	Part No.	Part Name & Description	Remarks
C53	YECUS1H273KX	Ceramic, 0.027 μ F 50WV	
C56	YECUS1H273KX	Ceramic, 0.027 μ F 50WV	
C57	YECUS1H102KX	Ceramic, 0.001 μ F 50WV	
C201	F1J1H121A025	Ceramic, 120PF 50WV	
C203	ECEA1HKS3R3I	Electrolytic, 3.3 μ F 50WV	
C204	ECEA1HKS3R3I	Electrolytic, 3.3 μ F 50WV	
C205	ECEA1HKA010I	Electrolytic, 1 μ F 50WV	
C208	YECUS1E333KX	Ceramic, 0.033 μ F 25WV	
C209	YECUS1H562KX	Ceramic, 0.0056 μ F 50WV	
C210	ECEA1CKA470I	Electrolytic, 47 μ F 16WV	
C211	YECUS1H103KX	Ceramic, 0.01 μ F 50WV	
C212	F1J1H121A025	Ceramic, 120PF 50WV	
C230	ECEA1CKS100I	Electrolytic, 10 μ F 16WV	
C231	ECEA1CKS100I	Electrolytic, 10 μ F 16WV	
C240	ECEA1HKS47I	Electrolytic, 0.47 μ F 50WV	
C241	ECEA1HKS47I	Electrolytic, 0.47 μ F 50WV	
C249	YECUS1H122KX	Ceramic, 0.0012 μ F 50WV	
C250	YECUS1H122KX	Ceramic, 0.0012 μ F 50WV	
C278	ECEA1CKS470I	Electrolytic, 47 μ F 16WV	
C279	ECEA1HKS2R2I	Electrolytic, 2.2 μ F 50WV	
C301	F1J1H121A025	Ceramic, 120PF 50WV	
C303	ECEA1HKS3R3I	Electrolytic, 3.3 μ F 50WV	
C304	ECEA1HKS3R3I	Electrolytic, 3.3 μ F 50WV	
C305	ECEA1HKA010I	Electrolytic, 1 μ F 50WV	
C308	YECUS1E333KX	Ceramic, 0.033 μ F 25WV	
C309	YECUS1H562KX	Ceramic, 0.0056 μ F 50WV	
C310	ECEA0JKA101I	Electrolytic, 100 μ F 6.3WV	
C311	ECEA1AKS221I	Electrolytic, 220 μ F 10WV	
C312	F1J1H121A025	Ceramic, 120PF 50WV	
C330	ECEA1CKS100I	Electrolytic, 10 μ F 16WV	
C331	ECEA1CKS100I	Electrolytic, 10 μ F 16WV	
C340	ECEA1HKS47I	Electrolytic, 0.47 μ F 50WV	
C341	ECEA1HKS47I	Electrolytic, 0.47 μ F 50WV	
C349	YECUS1H122KX	Ceramic, 0.0012 μ F 50WV	
C350	YECUS1H122KX	Ceramic, 0.0012 μ F 50WV	
C401	YECUS1H150JC	Ceramic, 15PF 50WV	
C402	YECUS1H150JC	Ceramic, 15PF 50WV	
C403	ECEA0JKA101I	Electrolytic, 100 μ F 6.3WV	
C404	YECUS1H103KX	Ceramic, 0.01 μ F 50WV	
C405	F1J1H101A506	Ceramic, 100PF 50WV	
C408	YECUS1E223KX	Ceramic, 0.022 μ F 25WV	
C409	ECQV1H224JL2	Plastic Film, 0.22 μ F 50WV	
C410	YECUS1H103KX	Ceramic, 0.01 μ F 50WV	
C411	ECEA1AKS221I	Electrolytic, 220 μ F 10WV	
C413	YECUS1H103KX	Ceramic, 0.01 μ F 50WV	
C415	YECUS1H221JC	Ceramic, 220PF 50WV	
C417	ECEA1AKS221I	Electrolytic, 220 μ F 10WV	
C601	YECUS1H150JC	Ceramic, 15PF 50WV	
C602	YECUS1H180JC	Ceramic, 18PF 50WV	
C603	YECUS1E104ZF	Ceramic, 0.1 μ F 25WV	
C604	YECUS1H103KX	Ceramic, 0.01 μ F 50WV	
C605	ECEA0JKS331I	Electrolytic, 330 μ F 6.3WV	
C607	EES5R5T473S	Electrolytic, 0.047 μ F 5.5WV	
C612	YECUS1E104ZF	Ceramic, 0.1 μ F 25WV	
C613	YECUS1E104ZF	Ceramic, 0.1 μ F 25WV	
C631	ECEA0JKS220I	Electrolytic, 22 μ F 6.3WV	
C650	YECUS1H103KX	Ceramic, 0.01 μ F 50WV	
C660	ECEA0JKS220I	Electrolytic, 22 μ F 6.3WV	
C661	YECUS1H103KX	Ceramic, 0.01 μ F 50WV	
C690	YECUS1H103KX	Ceramic, 0.01 μ F 50WV	
C701	ECEA1CKA101	Electrolytic, 100 μ F 16WV	
C702	ECEA0JKS470I	Electrolytic, 47 μ F 6.3WV	
C705	YECUS1H103KX	Ceramic, 0.01 μ F 50WV	
C706	YECUS1C104KX	Ceramic, 0.1 μ F 16WV	
C707	ECA1CM221I	Electrolytic, 220 μ F 16WV	
C710	ECA1CHG102B	Electrolytic, 1000 μ F 16WV	
C711	YECUS1C224KX	Ceramic, 0.22 μ F 16WV	
C712	ECEA1CKS470I	Electrolytic, 47 μ F 16WV	
C714	ECEA0JKS101I	Electrolytic, 100 μ F 6.3WV	
C715	YECUS1C224KX	Ceramic, 0.22 μ F 16WV	
C716	YECUS1C224KX	Ceramic, 0.22 μ F 16WV	
C717	YECUS1C224KX	Ceramic, 0.22 μ F 16WV	
C718	ECEA1AKS470I	Electrolytic, 47 μ F 10WV	

Ref. No.	Part No.	Part Name & Description	Remarks
C720	YECUS1E104ZF	Ceramic, 0.1 μ F 25WV	
C721	YECUS1C224KX	Ceramic, 0.22 μ F 16WV	
C722	YECUS1C224KX	Ceramic, 0.22 μ F 16WV	
C723	ECEA0JKS470I	Electrolytic, 47 μ F 6.3WV	
C732	YECUS1E104ZF	Ceramic, 0.1 μ F 25WV	
C735	ECA1CDT472Y	Electrolytic, 4700 μ F 16WV	
C736	ECEA1HKS010I	Electrolytic, 1 μ F 50WV	
C737	ECSH1EC475CR	Tantalum, 4.7 μ F 25WV	
RESISTORS			
J501	ERJ8GEY0R00V	Chip, 0 Ω 1/8W	
J502	ERJ8GEY0R00V	Chip, 0 Ω 1/8W	
J503	ERJ8GEY0R00V	Chip, 0 Ω 1/8W	
J504	ERJ8GEY0R00V	Chip, 0 Ω 1/8W	
J505	ERJ8GEY0R00V	Chip, 0 Ω 1/8W	
J506	ERJ8GEY0R00V	Chip, 0 Ω 1/8W	
J507	ERJ8GEY0R00V	Chip, 0 Ω 1/8W	
J508	ERJ8GEY0R00V	Chip, 0 Ω 1/8W	
J509	ERJ8GEY0R00V	Chip, 0 Ω 1/8W	
J510	ERJ8GEY0R00V	Chip, 0 Ω 1/8W	
J511	ERJ8GEY0R00V	Chip, 0 Ω 1/8W	
J512	ERJ8GEY0R00V	Chip, 0 Ω 1/8W	
J513	ERJ8GEY0R00V	Chip, 0 Ω 1/8W	
J514	ERJ8GEY0R00V	Chip, 0 Ω 1/8W	
J515	ERJ8GEY0R00V	Chip, 0 Ω 1/8W	
J516	ERJ8GEY0R00V	Chip, 0 Ω 1/8W	
J517	ERJ8GEY0R00V	Chip, 0 Ω 1/8W	
J518	ERJ8GEY0R00V	Chip, 0 Ω 1/8W	
J519	ERJ8GEY0R00V	Chip, 0 Ω 1/8W	
J520	ERJ8GEY0R00V	Chip, 0 Ω 1/8W	
J521	ERJ8GEY0R00V	Chip, 0 Ω 1/8W	
J522	ERJ8GEY0R00V	Chip, 0 Ω 1/8W	
J523	ERJ8GEY0R00V	Chip, 0 Ω 1/8W	
J524	ERJ8GEY0R00V	Chip, 0 Ω 1/8W	
J525	ERJ8GEY0R00V	Chip, 0 Ω 1/8W	
J526	ERJ8GEY0R00V	Chip, 0 Ω 1/8W	
J527	ERJ8GEY0R00V	Chip, 0 Ω 1/8W	
J601	ERJ6GEY0R00V	Chip, 0 Ω 1/10W	
J701	ERJ8GEY0R00V	Chip, 0 Ω 1/8W	
R50	ERJ6GEYJ5R6	Chip, 5.6 Ω 1/10W	
R52	ERJ6GEYJ101	Chip, 100 Ω 1/10W	
R53	ERJ6GEYJ331	Chip, 330 Ω 1/10W	
R54	ERDS2TJ123	Carbon, 12k Ω 1/4W	
R55	ERDS2TJ123	Carbon, 12k Ω 1/4W	
R58	ERJ6GEYJ393	Chip, 39k Ω 1/10W	
R59	ERJ8GEYJ3R3V	Chip, 3.3 Ω 1/8W	
R201	ERJ6GEYJ183	Chip, 18k Ω 1/10W	
R202	ERJ6GEYJ183	Chip, 18k Ω 1/10W	
R204	ERJ6GEYJ822	Chip, 8.2k Ω 1/10W	
R205	ERJ6GEYJ822	Chip, 8.2k Ω 1/10W	
R230	ERJ6GEYJ101	Chip, 100 Ω 1/10W	
R231	ERJ6GEYJ221	Chip, 220 Ω 1/10W	
R235	ERJ6GEYJ101	Chip, 100 Ω 1/10W	
R236	ERJ8GEYJ221V	Chip, 220 Ω 1/8W	
R241	ERJ6GEYJ472	Chip, 4.7k Ω 1/10W	
R243	ERJ6GEYJ472	Chip, 4.7k Ω 1/10W	
R301	ERJ6GEYJ183	Chip, 18k Ω 1/10W	
R302	ERJ6GEYJ183	Chip, 18k Ω 1/10W	
R304	ERJ6GEYJ822	Chip, 8.2k Ω 1/10W	
R305	ERJ6GEYJ822	Chip, 8.2k Ω 1/10W	
R330	ERJ6GEYJ101	Chip, 100 Ω 1/10W	
R331	ERJ6GEYJ221	Chip, 220 Ω 1/10W	
R335	ERJ6GEYJ101	Chip, 100 Ω 1/10W	
R336	ERJ8GEYJ221V	Chip, 220 Ω 1/8W	
R341	ERJ6GEYJ472	Chip, 4.7k Ω 1/10W	
R343	ERJ6GEYJ472	Chip, 4.7k Ω 1/10W	
R401	ERJ6GEYJ152	Chip, 1.5k Ω 1/10W	
R402	ERJ6GEYJ222	Chip, 2.2k Ω 1/10W	
R403	ERJ6GEYJ471	Chip, 470 Ω 1/10W	
R406	ERJ6GEYJ182	Chip, 1.8k Ω 1/10W	
R407	ERJ6GEYJ561	Chip, 560 Ω 1/10W	
R408	ERJ6GEYJ562	Chip, 5.6k Ω 1/10W	

Ref. No.	Part No.	Part Name & Description	Remarks
R409	ERJ6GEYJ563	Chip, 56k Ω 1/10W	
R411	ERJ6GEYJ100	Chip, 10 Ω 1/10W	
R601	ERJ6GEYJ473	Chip, 47k Ω 1/10W	
R603	ERJ6GEYJ473	Chip, 47k Ω 1/10W	
R605	ERJ6GEYJ473	Chip, 47k Ω 1/10W	
R607	ERJ6GEYJ473	Chip, 47k Ω 1/10W	
R608	ERJ6GEYJ102	Chip, 1k Ω 1/10W	
R609	ERJ6GEYJ102	Chip, 1k Ω 1/10W	
R610	ERJ6GEYJ102	Chip, 1k Ω 1/10W	
R611	ERJ6GEYJ102	Chip, 1k Ω 1/10W	
R615	ERJ8GEYJ100V	Chip, 10 Ω 1/8W	
R616	ERJ6GEYJ102	Chip, 1k Ω 1/10W	
R617	ERDS2TJ102	Carbon, 1k Ω 1/4W	
R618	ERJ6GEYJ102	Chip, 1k Ω 1/10W	
R619	ERJ6GEYJ102	Chip, 1k Ω 1/10W	
R620	ERJ6GEYJ102	Chip, 1k Ω 1/10W	
R621	ERJ6GEYJ102	Chip, 1k Ω 1/10W	
R622	ERJ6GEYJ102	Chip, 1k Ω 1/10W	
R623	ERJ6GEYJ184	Chip, 180k Ω 1/10W	
R624	ERDS2TJ102	Carbon, 1k Ω 1/4W	
R625	ERJ6GEYJ184	Chip, 180k Ω 1/10W	
R629	ERJ6GEYJ102	Chip, 1k Ω 1/10W	
R630	ERJ6GEYJ102	Chip, 1k Ω 1/10W	
R631	ERJ6GEYJ102	Chip, 1k Ω 1/10W	
R632	ERJ6GEYJ682	Chip, 6.8k Ω 1/10W	
R639	ERJ6GEYJ184	Chip, 180k Ω 1/10W	
R645	ERJ6GEYJ223	Chip, 22k Ω 1/10W	
R650	ERJ8GEYJ104V	Chip, 100k Ω 1/8W	
R651	ERDS2TJ104	Carbon, 100k Ω 1/4W	
R652	ERJ6GEYJ104	Chip, 100k Ω 1/10W	
R653	ERJ6GEYJ102	Chip, 1k Ω 1/10W	
R654	ERJ6GEYJ102	Chip, 1k Ω 1/10W	
R660	ERJ6GEYJ472	Chip, 4.7k Ω 1/10W	
R661	ERJ6GEYJ393	Chip, 39k Ω 1/10W	
R673	ERJ6GEYJ102	Chip, 1k Ω 1/10W	
R677	ERJ6GEYJ102	Chip, 1k Ω 1/10W	
R678	ERJ6GEYJ102	Chip, 1k Ω 1/10W	
R679	ERJ6GEYJ102	Chip, 1k Ω 1/10W	
R686	ERJ6GEYJ822	Chip, 8.2k Ω 1/10W	
R690	ERJ6GEYJ103	Chip, 10k Ω 1/10W	
R691	ERJ6GEYJ333	Chip, 33k Ω 1/10W	
R692	ERJ6GEYJ104	Chip, 100k Ω 1/10W	
R693	ERJ6GEYJ102	Chip, 1k Ω 1/10W	
R694	ERJ6GEYJ102	Chip, 1k Ω 1/10W	
R695	ERJ6GEYJ102	Chip, 1k Ω 1/10W	
R696	ERJ6GEYJ682	Chip, 6.8k Ω 1/10W	
R698	ERJ6GEYJ472	Chip, 4.7k Ω 1/10W	
R699	ERJ8GEYJ473V	Chip, 47k Ω 1/8W	
R700	ERJ6GEYJ103	Chip, 10k Ω 1/10W	
R701	ERDS2FJ470	Carbon, 47 Ω 1/4W	
R703	ERJ6GEYJ682	Chip, 6.8k Ω 1/10W	
R704	ERJ6GEYJ274	Chip, 270k Ω 1/10W	
R705	ERJ6GEYJ433	Chip, 43k Ω 1/10W	
R706	ERJ6GEYJ102	Chip, 1k Ω 1/10W	
R707	ERDS2TJ224	Carbon, 220k Ω 1/4W	
R708	ERJ6GEYJ433	Chip, 43k Ω 1/10W	
R709	ERJ6GEYJ473	Chip, 47k Ω 1/10W	
R710	ERDS1FJ331	Carbon, 330 Ω 1/2W	
R711	ERDS1FJ331	Carbon, 330 Ω 1/2W	
R712	ERDS2FJ1R0T	Carbon, 1.0 Ω 1/4W	
R713	ERDS2FJ1R0T	Carbon, 1.0 Ω 1/4W	
R714	ERJ6GEYJ681	Chip, 680 Ω 1/10W	
R719	ERDS1FJ820	Carbon, 82 Ω 1/2W	
R720	ERJ6GEYJ103	Chip, 10k Ω 1/10W	
R721	ERJ6GEYJ103	Chip, 10k Ω 1/10W	
R731	ERJ6GEYJ473	Chip, 47k Ω 1/10W	
R732	ERJ6GEYJ332	Chip, 3.3k Ω 1/10W	
R733	ERJ6GEYJ473	Chip, 47k Ω 1/10W	
R734	ERJ6GEYJ332	Chip, 3.3k Ω 1/10W	
R736	ERJ6GEYJ473	Chip, 47k Ω 1/10W	
CONNECTORS			

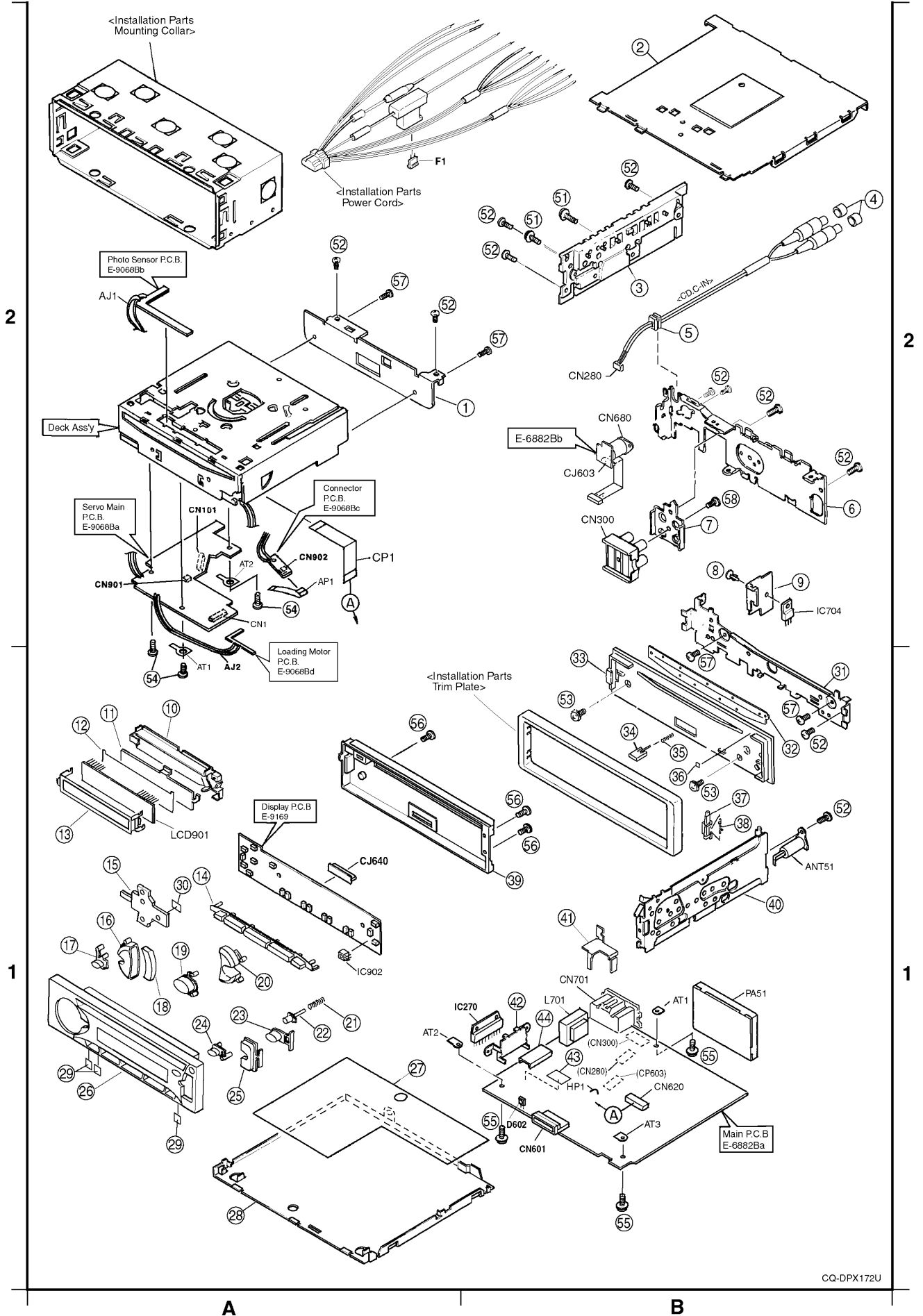
Ref. No.	Part No.	Part Name & Description	Remarks
CN280	YEAE012503	Connector, 1P RCA	
CN300	YEAE02166	Connector, 4P RCA	
CN601	YEAE012475	Connector, 12P	
CN620	YEAE012763	Connector, 14P	
CN680	YEAE012307	Connector, 8P DIN	
CN701	YEAE012748	Connector, 16P	
CP603	YEAE0616YAA	Connector, 6P	
CRYSTALS			
XL400	H0D103500001	Crystal OSC	
XL600	YEXL51N04190	Crystal OSC	
LAMP			
Z50	JOLE00000002	Neon Lamp	
COILS			
BPF50	YEXC07T009	Coil	
L50	YELT02C330KT	Coil	
L400	YELT02C101KT	Coil	
L600	YELT02C470KT	Coil	
L601	YELT02C101KT	Coil	
L701	YETQ026F143	Coil	
THERMISTOR			
PT701	YERT7AR4R7MT	Thermistor	
[E-9169] Display Block			
ICs AND TRANSISTORS			
IC901	YEAMLC75854T	IC	
IC902	YEAMSBX8035F	IC	
Q901	BlGDCFJJ0002	Transistor	
DIODES			
D901	MA8056LMHTX	Diode	
D902	MA8056LMHTX	Diode	
D903	MA8056LMHTX	Diode	
D904	MA8056LMHTX	Diode	
D905	MA8056LMHTX	Diode	
D906	B3AEB0000013	LED	
D920	B3AEB0000013	LED	
D921	B3ABB0000047	LED	
D922	B3ABB0000047	LED	
D923	LNJ306G5TUWQ	LED	
D924	LNJ306G5TUWQ	LED	
D925	LNJ306G5TUWQ	LED	
D926	LNJ306G5TUWQ	LED	
D927	LNJ306G5TUWQ	LED	
D928	LNJ306G5TUWQ	LED	
D929	LNJ306G5TUWQ	LED	
D930	LNJ306G5TUWQ	LED	
D931	LNJ306G5TUWQ	LED	
D932	LNJ306G5TUWQ	LED	
D933	LNJ306G5TUWQ	LED	
D934	LNJ306G5TUWQ	LED	
D935	LNJ306G5TUWQ	LED	
D936	LNJ306G5TUWQ	LED	
D940	B3AFA0000015	LED	
D941	MA8047MTX	Diode	
CAPACITORS			
C901	YECUS1E104ZF	Ceramic, 0.1µF 25WV	
C902	YECUS1E104ZF	Ceramic, 0.1µF 25WV	
C903	YECUS1H681JC	Ceramic, 680PF 50WV	
C904	YECUS1E104ZF	Ceramic, 0.1µF 25WV	
C905	YECUS1E104ZF	Ceramic, 0.1µF 25WV	
C906	YECUS1H102KX	Ceramic, 0.001µF 50WV	
C912	YECUS1E104ZF	Ceramic, 0.1µF 25WV	

Ref. No.	Part No.	Part Name & Description	Remarks
RESISTORS			
R901	ERJ6GEYJ4R7	Chip, 4.7Ω 1/10W	
R902	ERJ6GEYJ102	Chip, 1kΩ 1/10W	
R903	ERJ6GEYJ102	Chip, 1kΩ 1/10W	
R904	ERJ6GEYJ102	Chip, 1kΩ 1/10W	
R905	ERJ6GEYJ102	Chip, 1kΩ 1/10W	
R906	ERJ6GEYJ102	Chip, 1kΩ 1/10W	
R908	ERJ6GEYJ271	Chip, 270Ω 1/10W	
R909	ERJ6GEYJ4R7	Chip, 4.7Ω 1/10W	
R910	ERJ6GEYJ473	Chip, 47kΩ 1/10W	
R911	ERJ6GEYJ103	Chip, 10kΩ 1/10W	
R912	ERJ6GEYJ102	Chip, 1kΩ 1/10W	
R920	ERJ6GEYJ821	Chip, 820Ω 1/10W	
R921	ERJ6GEYJ271	Chip, 270Ω 1/10W	
R923	ERJ6GEYJ151	Chip, 150Ω 1/10W	
R926	ERJ6GEYJ331	Chip, 330Ω 1/10W	
R928	ERJ6GEYJ151	Chip, 150Ω 1/10W	
R931	ERJ6GEYJ151	Chip, 150Ω 1/10W	
R934	ERJ6GEYJ151	Chip, 150Ω 1/10W	
R940	ERJ8GEYJ391V	Chip, 390Ω 1/8W	
CONNECTOR			
CJ640	YEAE012476	Connector, 12P	
SWITCHES			
SW902	YEAS09312	Switch	
SW903	K0H1BA000339	Switch	
SW904	K0H1BA000339	Switch	
SW906	K0H1BA000339	Switch	
SW908	YEAS09312	Switch	
SW909	YEAS09312	Switch	
SW910	YEAS09312	Switch	
SW912	K0H1BA000339	Switch	
SW913	K0H1BA000339	Switch	
SW914	K0H1BA000339	Switch	
SW915	YEAS09312	Switch	
SW916	YEAS09312	Switch	
SW917	YEAS09312	Switch	
SW918	YEAS09312	Switch	
SW919	YEAS09312	Switch	
SW920	YEAS09312	Switch	
SW921	K0H1BA000339	Switch	
SW922	K0H1BA000339	Switch	
SW926	YEAS09312	Switch	
LCD			
LCD901	L5ACAJB00001	LCD Display	
[E-9068B] CD Deck Block			
IC's and TRANSISTORS			
IC101	C1BB00000624	IC	
IC401	MN6627482WB	IC	
IC441	C0JBAE000087	IC	
IC451	MN1933222MF	IC	
IC501	MN101C28LAC2	IC	
IC531	YEAM7200U33T	IC	
IC541	YEAMT7ST32UL	IC	
IC551	C3BBHG000053	IC	
IC901	C0GBY0000012	IC	
Q1	B3HB00000012	Transistor	
Q3	B3HB00000012	Transistor	
Q6	B3HB00000012	Transistor	
Q101	2SB766ATX	Transistor	
Q451	B1GBCFCJ0005	Transistor	
Q521	B1GBCFCJ0005	Transistor	
Q901	B1BDCD000002	Transistor	
DIODES			
D1	YEADAN1102W	Diode	

Ref. No.	Part No.	Part Name & Description	Remarks
R530	ERJ3GEYJ152V	Chip, 1.5k Ω 1/16W	
R531	ERJ6GEY0R00V	Chip, 0 Ω 1/10W	
R551	ERJ6GEYJ470	Chip, 47 Ω 1/10W	
R901	ERJ3GEYJ392V	Chip, 3.9k Ω 1/16W	
R902	ERJ3GEYJ122V	Chip, 1.2k Ω 1/16W	
R903	ERJ3GEYJ392V	Chip, 3.9k Ω 1/16W	
R904	ERJ3GEYJ122V	Chip, 1.2k Ω 1/16W	
R905	ERJ3GEYJ682V	Chip, 6.8k Ω 1/16W	
R906	ERJ3GEYJ682V	Chip, 6.8k Ω 1/16W	
R907	ERJ3GEYJ472V	Chip, 4.7k Ω 1/16W	
R908	ERJ3GEYJ223V	Chip, 22k Ω 1/16W	
R909	ERJ3GEYJ682V	Chip, 6.8k Ω 1/16W	
R910	ERJ3GEYJ123V	Chip, 12k Ω 1/16W	
R911	ERJ12YJ100H	Chip, 10 Ω 1/2W	
CONNECTORS			
CN1	K1MN14B00028	Connector, 14P	
CN101	YEASF15R1E	Connector, 15P	
CN901	K1MN05B00010	Connector, 5P	
CN902	K1MN05B00009	Connector, 5P	
SWITCHES			
SW2	K0L1BA000022	Switch	
SW4	YEAS09275	Switch	
CRYSTAL			
XL501	YEXLSTCC737T	Crystal OSC	
CERAMIC FILTER			
XL201	H2D169500005	Ceramic Filter	
COILS			
L101	YELTLM41P750	Coil	
L401	YELTBLM1B601	Coil	
L402	YELTBLM1B601	Coil	
L501	EXCCET103U	RF Coil	
L901	YELTBLM21A10	Coil	
L902	YELTBLM21A10	Coil	
RESISTOR NETWORKS			
R462	DIH810140004	Resistor Network	
R463	DIH810140004	Resistor Network	
R464	DIH810140004	Resistor Network	
R465	DIH810140004	Resistor Network	
R466	DIH810140004	Resistor Network	
R472	DIH810140004	Resistor Network	
R474	DIH810140004	Resistor Network	
R476	DIH810140004	Resistor Network	
Accessories			
PRINTING			
	YEFM283840	Operating Instructions	
INSTALLATION PARTS			
	YEAJ02861	Power Connector	
	YEFAl31302	Removal Face Plate Case	
	CR2025/1F	Battery	△
	YEFG04019	Rear Support Strap	
	YEFX0214198	Mounting Collar	
	YEFX9992663	Remote Controller	
	YGP9FZ2714	Screw Kit	
MISCELLANEOUS			
F1	YEAFO2015	Fuse, 15A	△
ANT51	YGAA10082	Antenna Receptacle	
AP1	YEAP2711	Flexible P.C.B.	
AJ1	YEAJ071287	Cord w/Plug	

Ref. No.	Part No.	Part Name & Description	Remarks
AJ2	YEAJ071285	Cord w/Plug	
AT1	YEAT03420	Terminal (Main P.C.B)	
AT2	YEAT03420	Terminal (Main P.C.B)	
AT3	YEAT03420	Terminal (Main P.C.B)	
AT1	YEATSD00405	Terminal, CD Deck P.C.B.	
AT2	YEATSD00405	Terminal, CD Deck P.C.B.	
CP1	K9ZZ00000176	Connector, 14P	
HP1	YEAT03324	Terminal	
1	YEFX0214964	Bracket, Deck	
2	YEFA031359E	Upper Cover	
3	YEFF01829C	Heat Sink	
4	YEFR04187	Lead Cap	
5	YEFX007380	Cord Clamper	
6	YEFA08462AK	Rear Plate	
7	YEFX0213650	Bracket, RCA	
8	YEFJ05046	Color Rivet	
9	YEFX0215204	Bracket, IC704	
10	YEFX061034	Holder, LCD	
11	YEFX0012243	Transparent Plate	
12	YEFV021486	Optical Shade	
13	YEFX0215938	Bracket, LCD	
14	YEFEL36889	Button, PRESET	
15	YEFX0012244	Transparent Plate	
16	YEFEL36601	Button, VOL	
17	YEFEL36600	Button, SEL	
18	YEFX0012130	Transparent Plate	
19	YEFEL36604	Button, TUNE/TRACK	
20	YEFEL36603	Button, BAND/DISP	
21	YEFX0052153	Spring	
22	YEFEL37176	Button, OPEN	
23	YEFEL36615	Button, SOURCE	
24	YEFEL36890	Button, EJECT	
25	YEFEL36892	Button, FOLDER	
26	YEF027511	Escutcheon Ass'y, Detachable	
27	YEFV011813	Insulator	
28	YEFA05594B	Bottom Cover	
29	YEFV021873	Optical Shade	
30	YEFX9992813	Tape, Static electricity prevention	
31	YEFA07550	Front Plate	
32	YEF02302	Felt	
33	YEF025671	Escutcheon Ass'y, Unit	
34	YGFEL34716	Button	
35	YEFX0052175	Spring	
36	YEF011113	Pad	
37	YEFX9991689	Release Hook	
38	YEFX0052176	Spring	
39	YEFAl31569	Back Cover, Detachable	
40	YEFA09508	Side Plate	
41	YEFX0215877	Bracket, Power Connector	
42	YEFX0213945B	Bracket, IC270	
43	YEF011828	Pad	
44	YEFX0214168	Bracket, IC702	
51	YEJS06092	Screw, 3mm * 10mm	
52	XTB3+6FFX	Tapping Screw, 3mm * 6mm	
53	YGJT03156	Tapping Screw, 2.6mm * 5mm	
54	XTN2+J4FX	Screw, 2mm * 4mm	
55	YEJT03009	Tapping Screw, 3mm * 8mm	
56	XTN2+8GFZ	Tapping Screw, 2mm * 8mm	
57	YEJT03267	Tapping Screw,	
58	XTB3+8GFX	Tapping Screw, 3mm * 8mm	

12 EXPLODED VIEW (Unit)

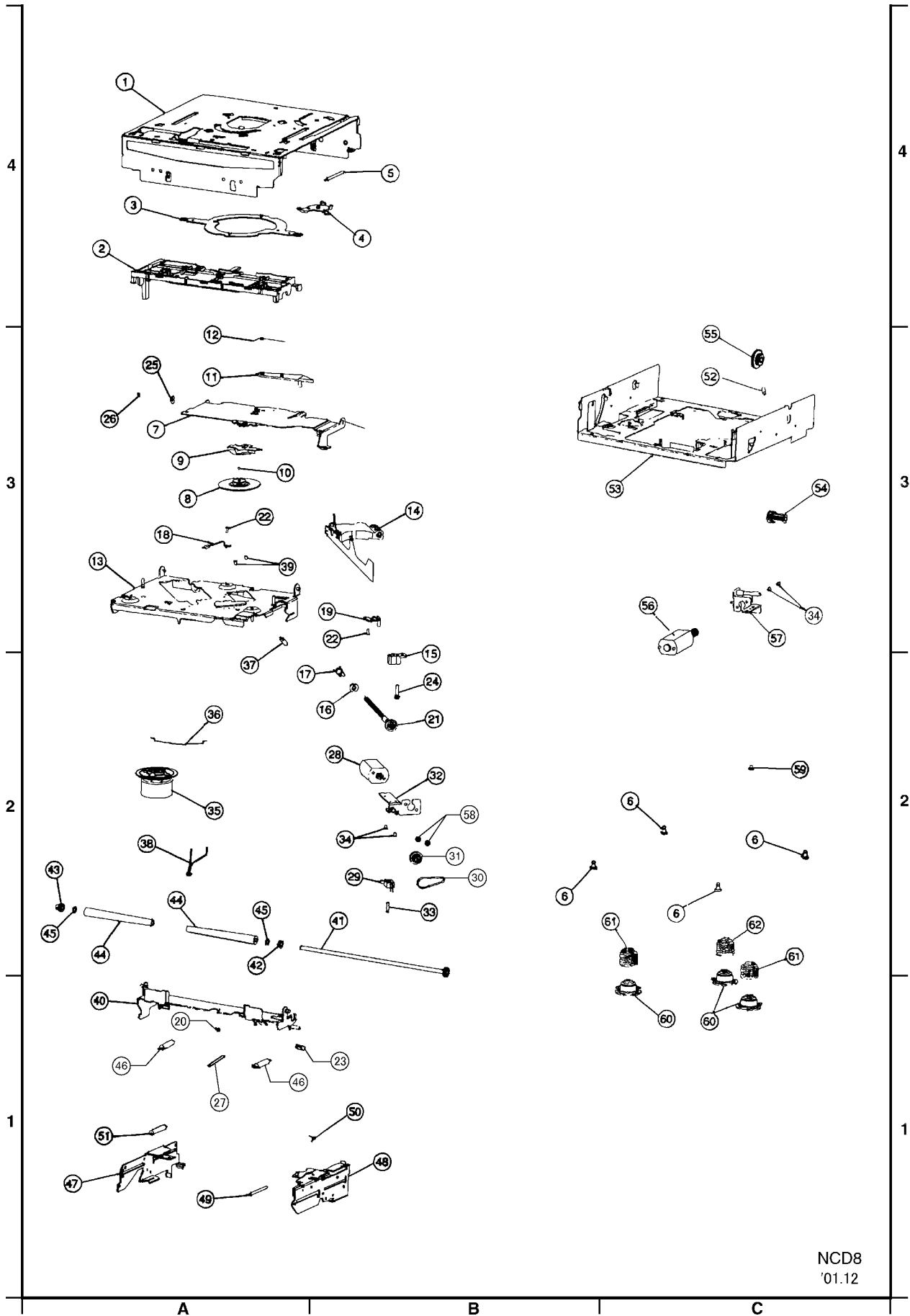


13 CD PLAYER PARTS

MISCELLANEOUS

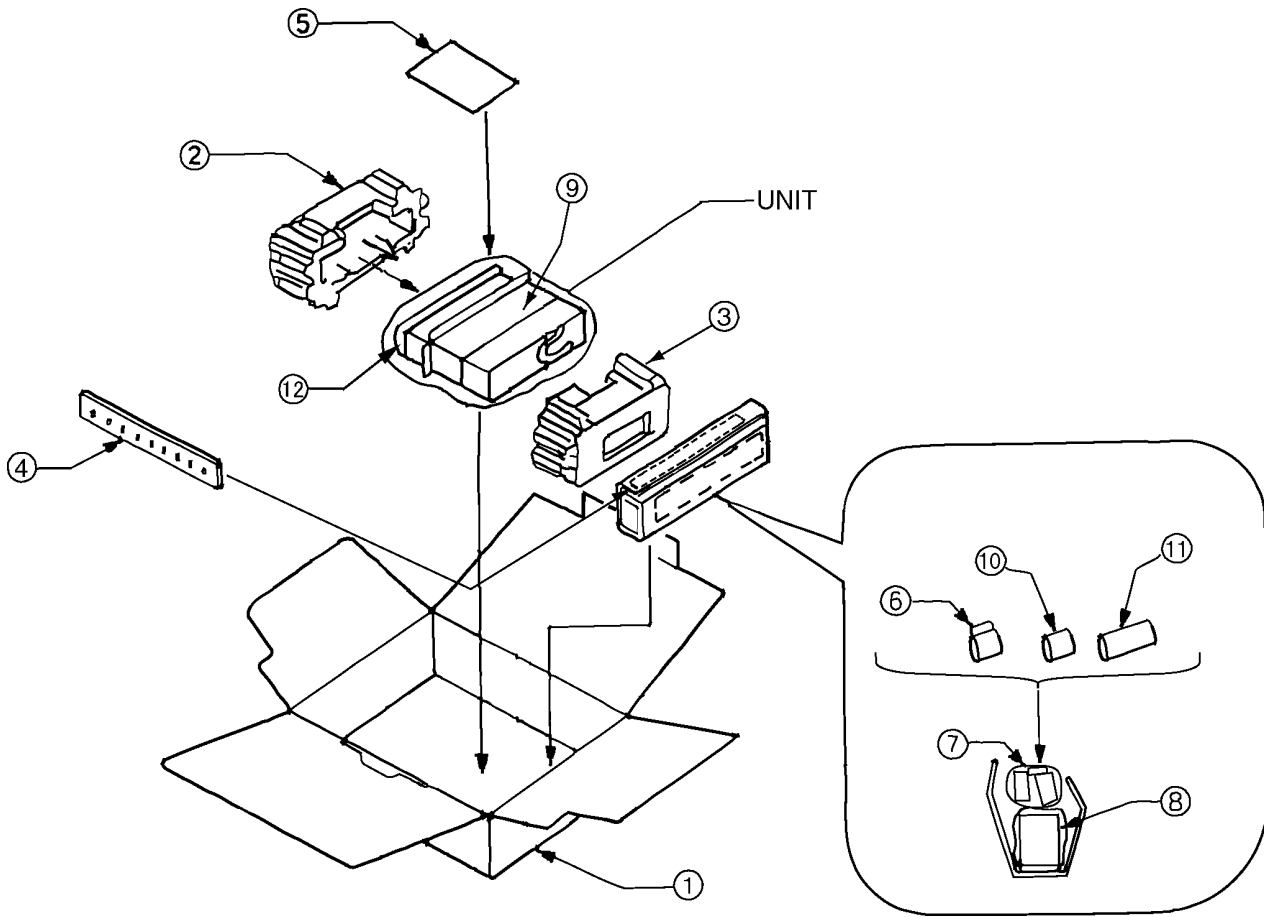
Ref. No.	Part No.	Part Name & Description	Remarks
1	YGFA011781	Upper Chassis	(4-A)
2	YGFX236153	Disk Guide	(4-A)
3	YGFX0462017	Link Lever	(4-A)
4	YGFX0462018	Detection Lever (2)	(4-B)
5	YGFX0052357	Detection Lever (2) Spring	(4-B)
6	YEJT03216	Screw	(2-C) (2-B)
7	YGFX249461	Clamp Arm	(3-A)
8	YGFX007640	Clamper	(3-A)
9	YGFX0052363	Clamper Spring Plate	(3-A)
10	YEFX999957	Ball Bearing	(3-A)
11	YGFX0462013	Detection Lever (1)	(3-A)
12	YGFX0052352	Detection Lever (1) Spring	(3-A)
13	YGFA011947	Suspension Chassis Ass'y	(3-A)
14	YEP0FX4378	Optical Pick-up Ass'y	(3-B)
15	YGFW04150	Feed Screw Housing A	(2-B)
16	YGFW04137A	Feed Screw Housing B	(2-B)
17	YGFX0052386	Thrust Adjusting Spring	(2-B)
18	YEFX0052557	Traverse Guide	(3-A)
19	YGFX9992027	Feed Screw Carrier	(3-B)
20	YEFX011723	Rubber Pad (2)	(1-A)
21	YEJT03211	Traverse Gear Ass'y	(2-B)
22	YEJS02037A	Screw, (Pick-up)	(3-A) (3-B)
23	YEFX011712	Rubber Pad (1)	(1-A)
24	XYN2+J10FX	Screw, (Housing) 2mm * 10m	(2-B)
25	YGFX0051590	Spring Washer	(3-A)
26	XUC15V	Retaining Ring, 1.5mm	(3-A)
27	YGFX0052395	Offset Spring	(1-A)
28	YGP0FX4162	Traverse Motor Ass'y	(2-B)
29	YEAS23151A	Inner Switch	(2-B)
30	YEFR03080	Rubber Belt	(2-B)
31	YGFX026124A	Idler Pulley	(2-B)
32	YGFX018658	Motor Bracket Ass'y	(2-B)
33	YEJS02018FZ	Screw, (SW)	(2-B)
34	YEJS06097A	Screw, 2mm * 25mm	(2-B)
35	YGP0FX3529	Spindle Motor Ass'y	(2-A)
36	YGFX0051991C	Spring (Motor)	(2-A)
37	YGFX0052353	Clamper Spring	(2-A)
38	YGAJ071286	Motor Cable	(2-A)
39	XQN17+A25FX	Screw, 1.7mm * 25mm	(3-A)
40	YGFX0462019	Feeder Arm Ass'y	(1-A)
41	YGP0FX3507	Roller Gear Ass'y	(2-B)
42	YGFW04144	Roller Shaft Collar (1)	(2-A)
43	YGFW04138	Roller Shaft Collar (2)	(2-A)
44	YGFX218310	Rubber Roller	(2-A)
45	YEW05169	Washer	(2-A)
46	YGFX0052362	Spring (Feeder Arm)	(1-A)
47	YGFX0462015A	Suspension Lock Plate (L)	(1-A)
48	YGP0FX3504	Suspension Lock Plate (R) Ass'y	(1-B)
49	YGFX0052355	Spring (Rack Gear)	(1-A)
50	YGFX0052356	Spring (Rack Lock Lever)	(1-B)
51	YGFX0052360	Spring (Suspension Lock Plate L)	(1-A)
52	YGFX0052361	Spring (Lock Plate)	(3-C)
53	YGFA011779	Bottom Chassis Ass'y	(3-C)
54	YGFX003940	Driving Gear (1)	(3-C)
55	YGFX003941	Driving Gear (2)	(3-C)
56	YGP0FX4167	Loding Motor Ass'y	(3-C)
57	YGFX018660	Loding Motor Bracket Ass'y	(3-C)
58	XQN2+A25FX	Screw, 2mm * 25mm	(2-B)
59	YEJS06188	Screw	(2-C)
60	YGFS04755	Oil Dumper	(1-C)
61	YGFX0052358	Suspension Spring (A)	(2-C)
62	YGFX0052359	Suspension Spring (B)	(2-C)

14 EXPLODED VIEW (CD Deck)



NCD8
'01.12

15 PACKING PARTS LIST

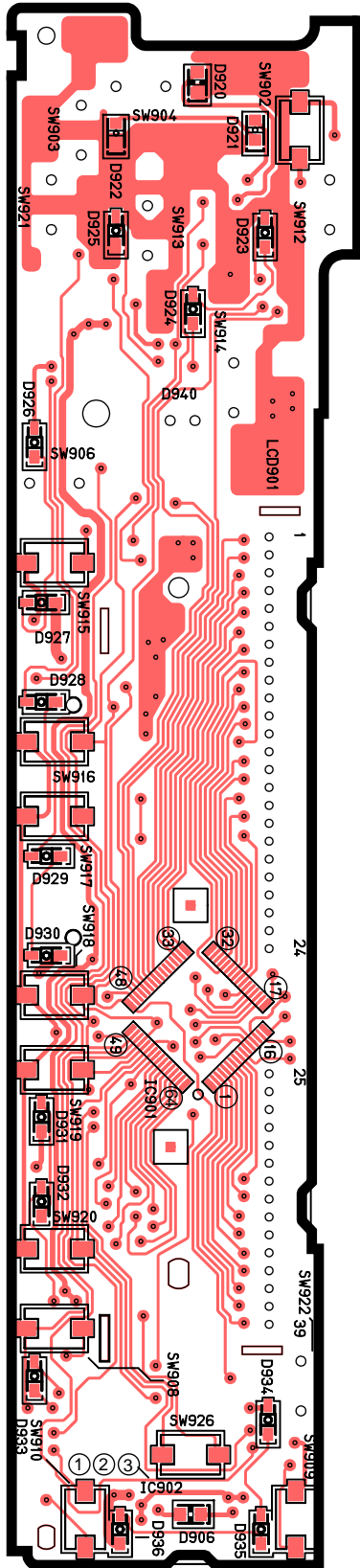


• Item numbers listed below should not order regular spare parts. **(not available)**

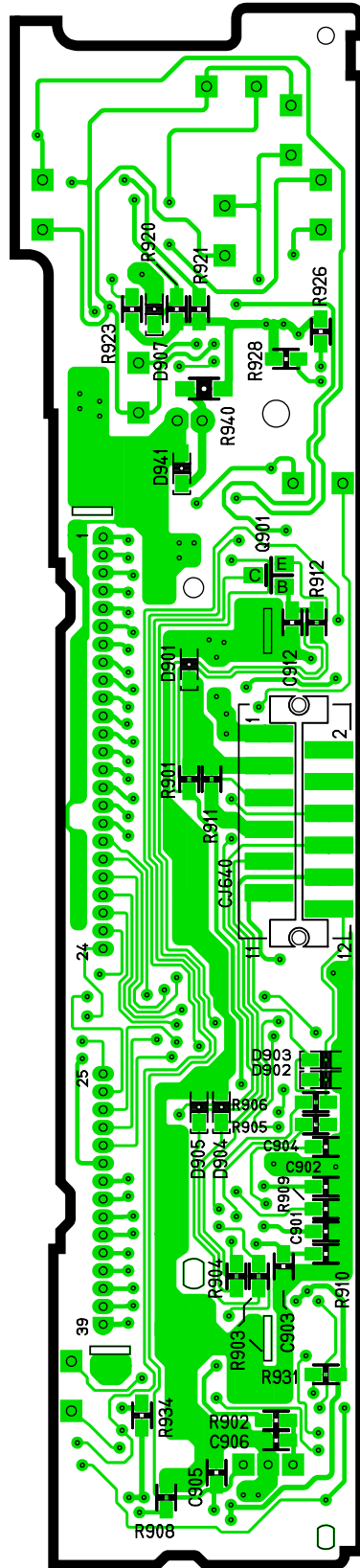
Item No.	Part No.	Part Name & Description	Q'ty	Remarks
1	-	Inner Carton	1	Not available
2	-	Packing Pad Front	1	Not available
3	-	Packing Pad Rear	1	Not available
4	YEFG04019	Rear Support Strap	1	
5	YEP9PR3601	Instruction Book Kit	1	Not available
	YEFM283840	Instruction Book	(1)	
		Warranty Card for USA	(1)	Not available
		Warranty Card for Canada	(1)	Not available
		Servicenter List for USA	(1)	Not available
6	YGP9FZ2714	Screw Kit	1	
7	YEAJ02861	Power Connector	1	
8	YEFA131302	Removal Face Plate Case	1	
9	YEFX0214198	Mounting Collar	1	
10	CR2025/1F	Battery	1	
11	YEFX9992663	Remote Controller	1	
12	YEFM05583	Trim Plate	1	

16 WIRING DIAGRAM

16.1. Display Block

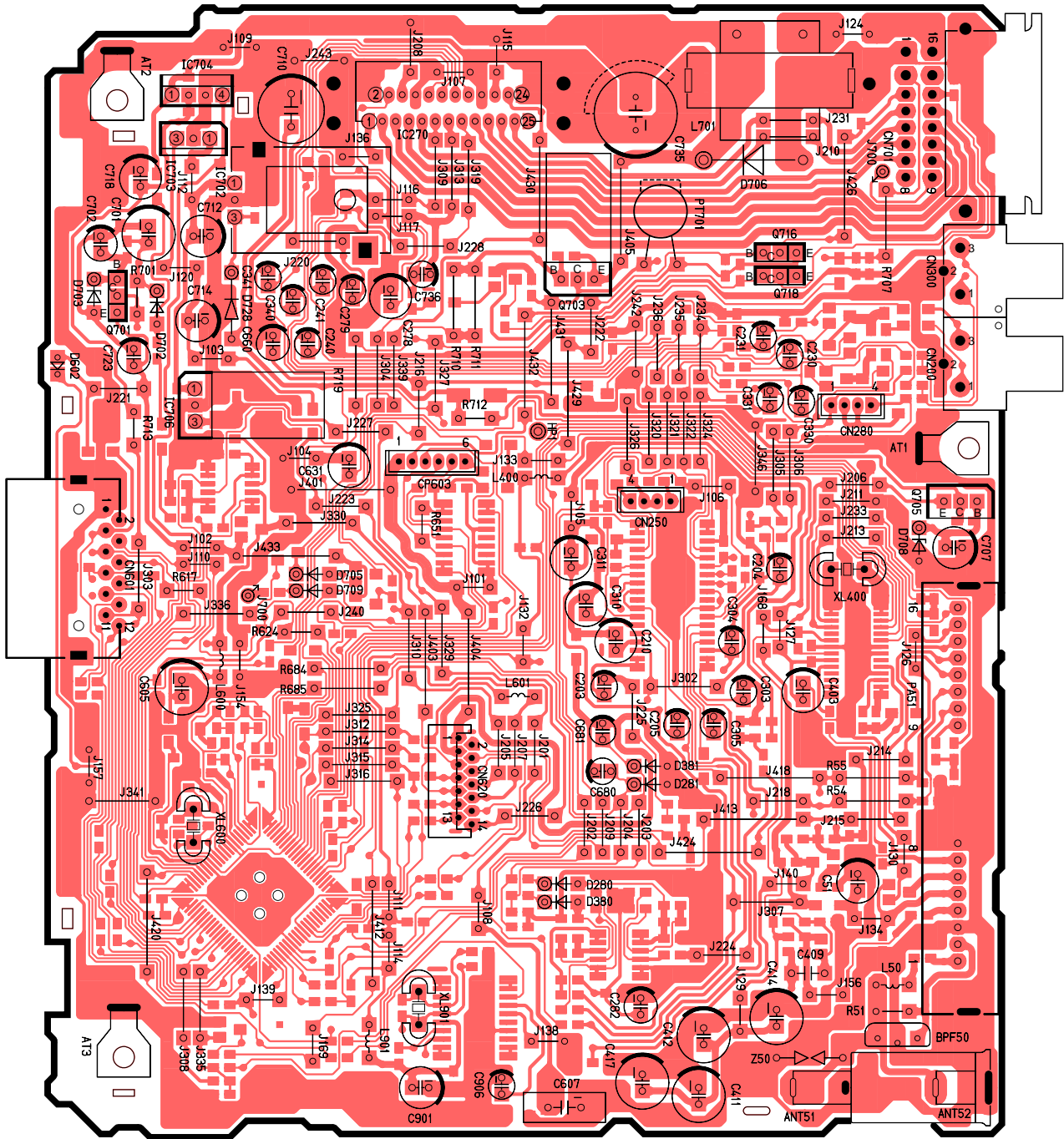


[E-9169][Top View]

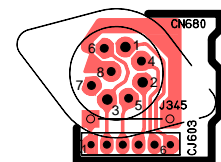


[E-9169][Bottom View]

16.2. Main Block (Top View)

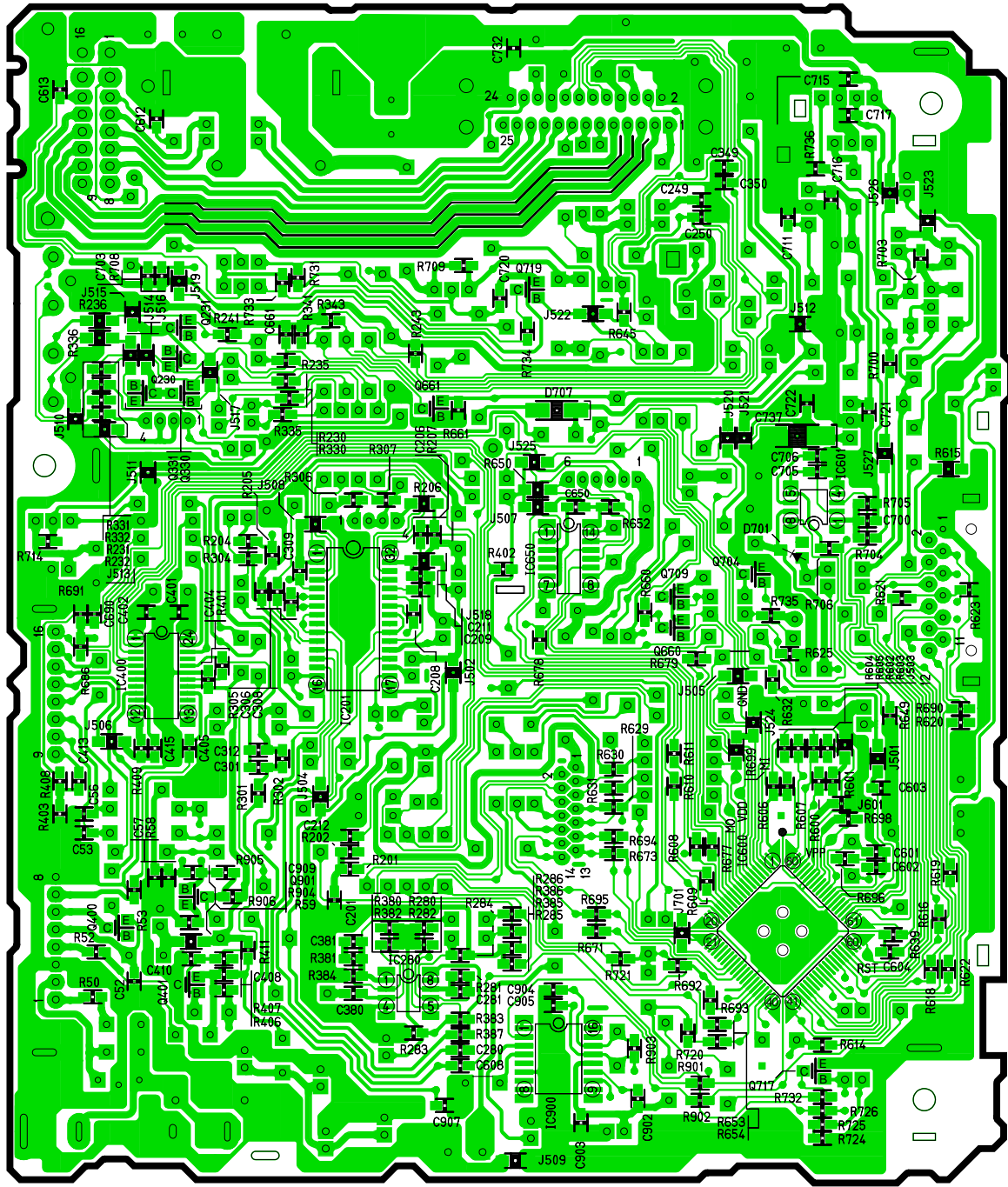


[E-6882Ba][Top View]

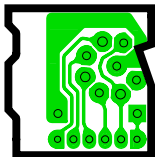


[E-6882Bb]
[Top View]

16.3. Main Block (Bottom View)

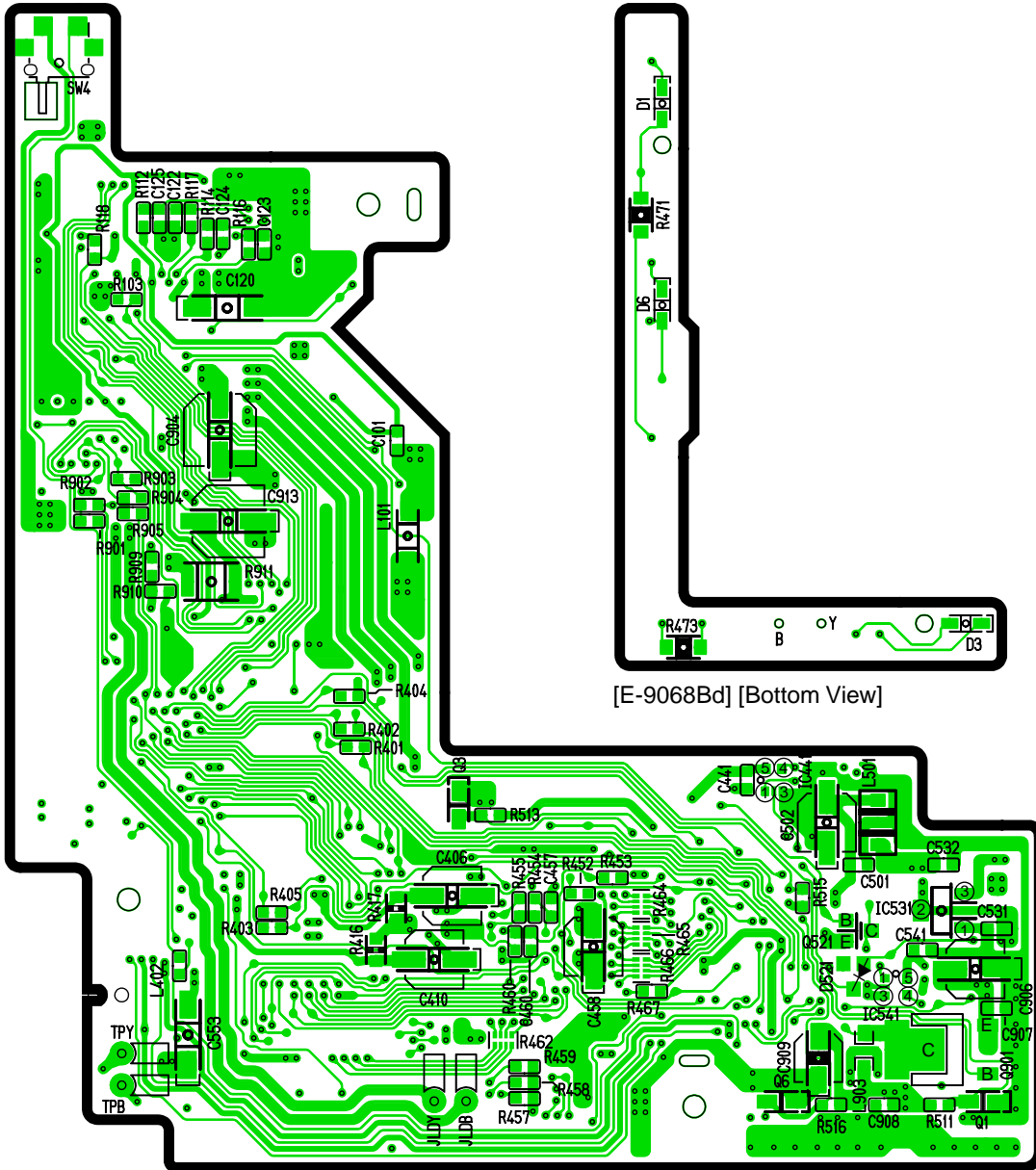


[E-6882Ba][Bottom View]



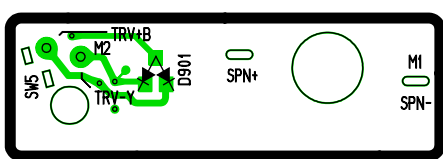
[E-6882Bb]
[Bottom View]

16.5. CD Servo Block (Bottom View)

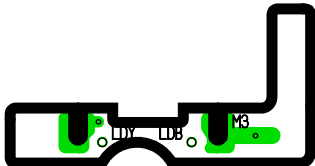


[E-9068Bd] [Bottom View]

[E-9068Ba] [Bottom View]



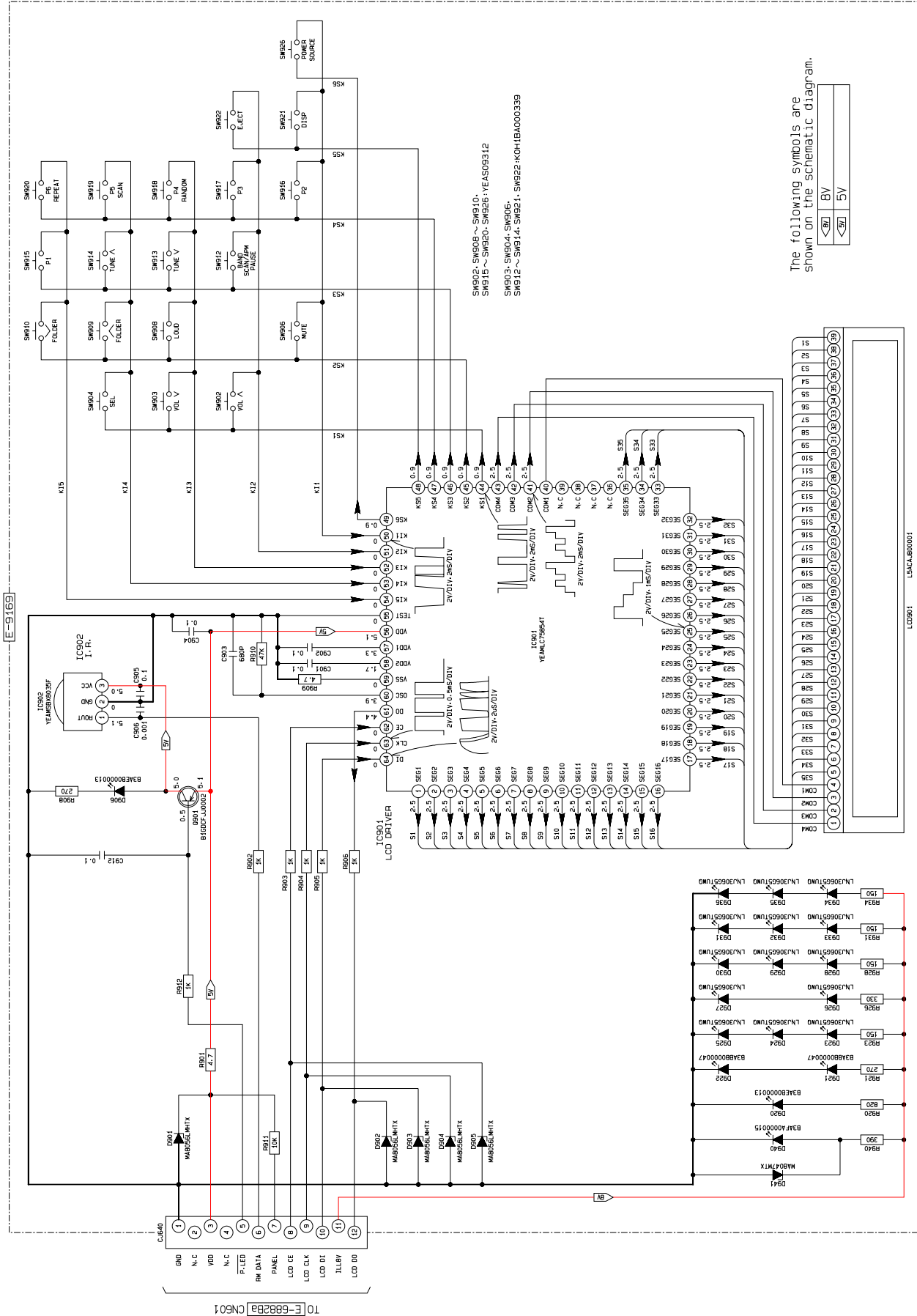
[E-9068Bb] [Bottom View]



[E-9068Bc] [Bottom View]

17 SCHEMATIC DIAGRAM -1

17.1. Display Block



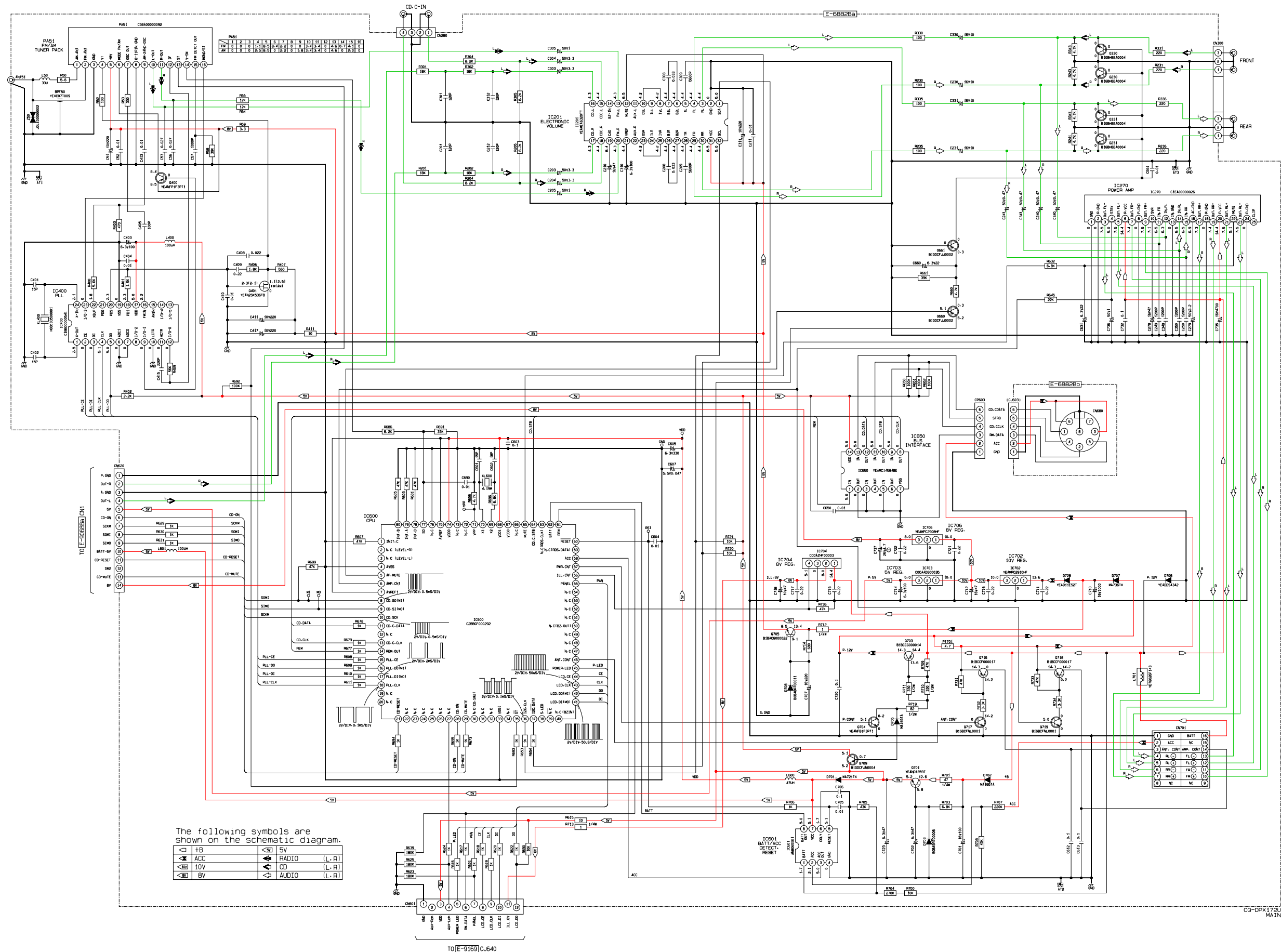
The following symbols are shown on the schematic diagram.

	1.5V
	3V
	5V

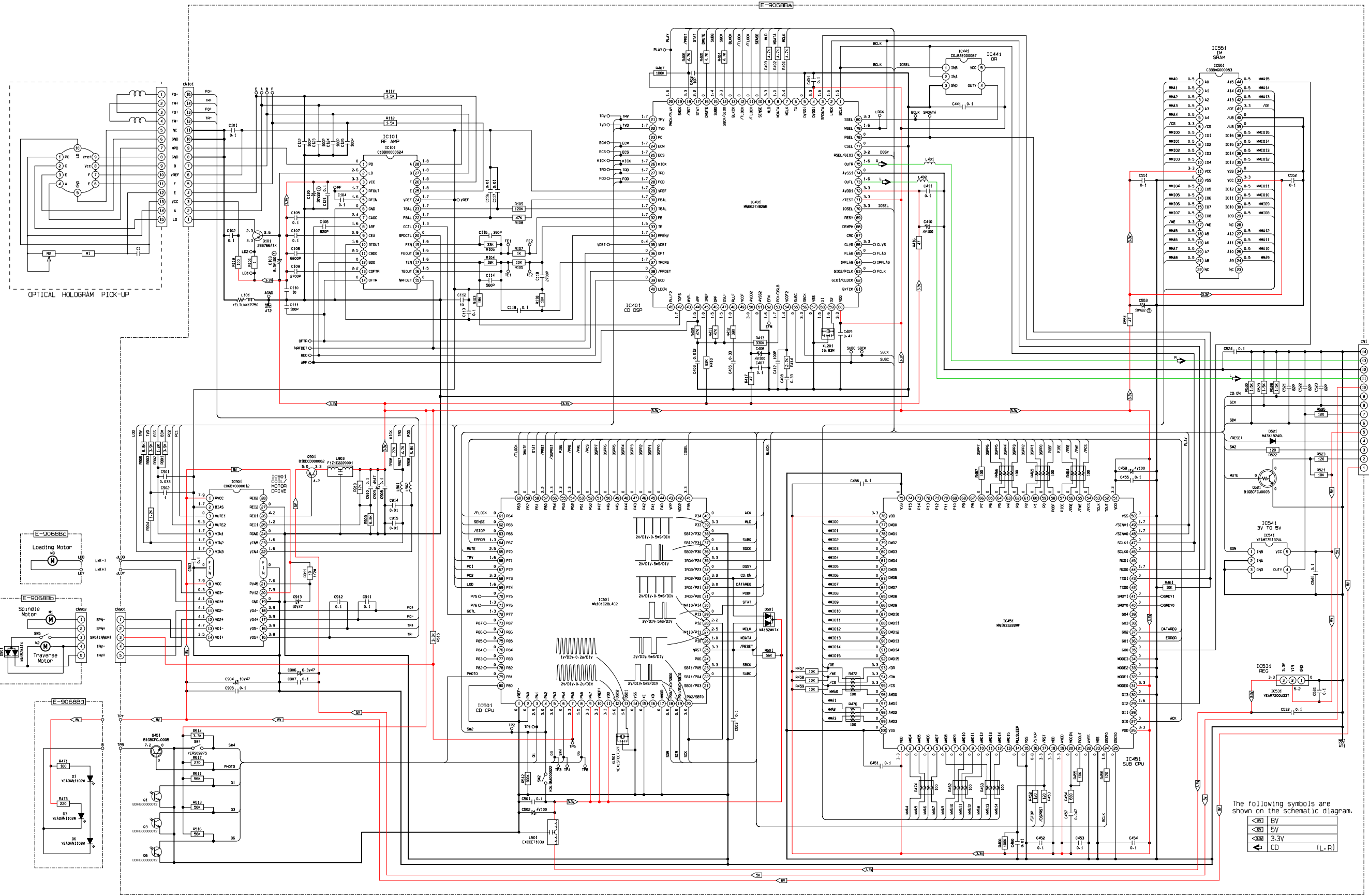
CQ-DPX172U DISP

18 SCHEMATIC DIAGRAM -2

18.1. Main Block



18.2. CD Servo Block

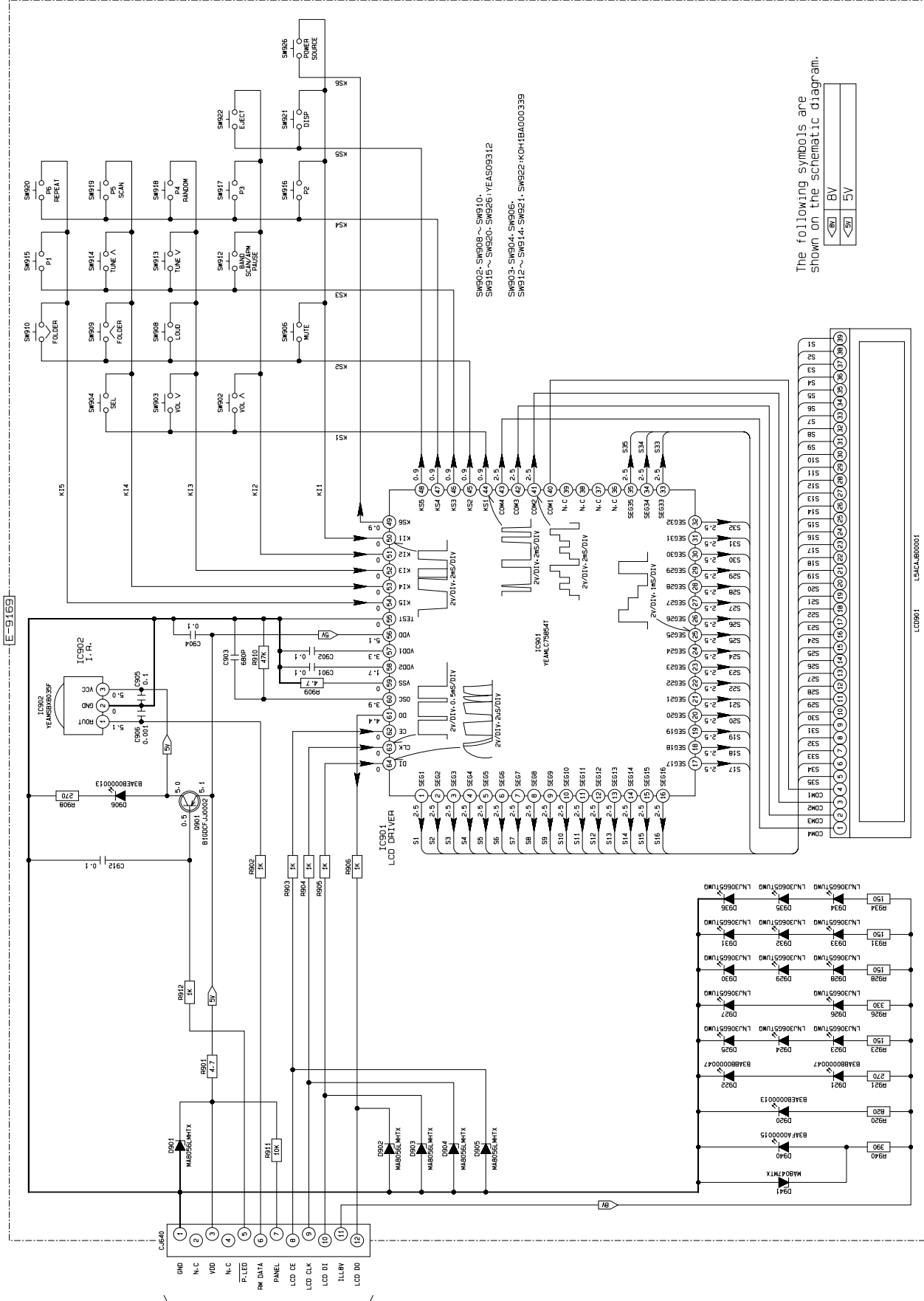


The following symbols are shown on the schematic diagram.

	1.5V
	3V
	5V
	3.3V
	CD
	L.R.

17 SCHEMATIC DIAGRAM -1

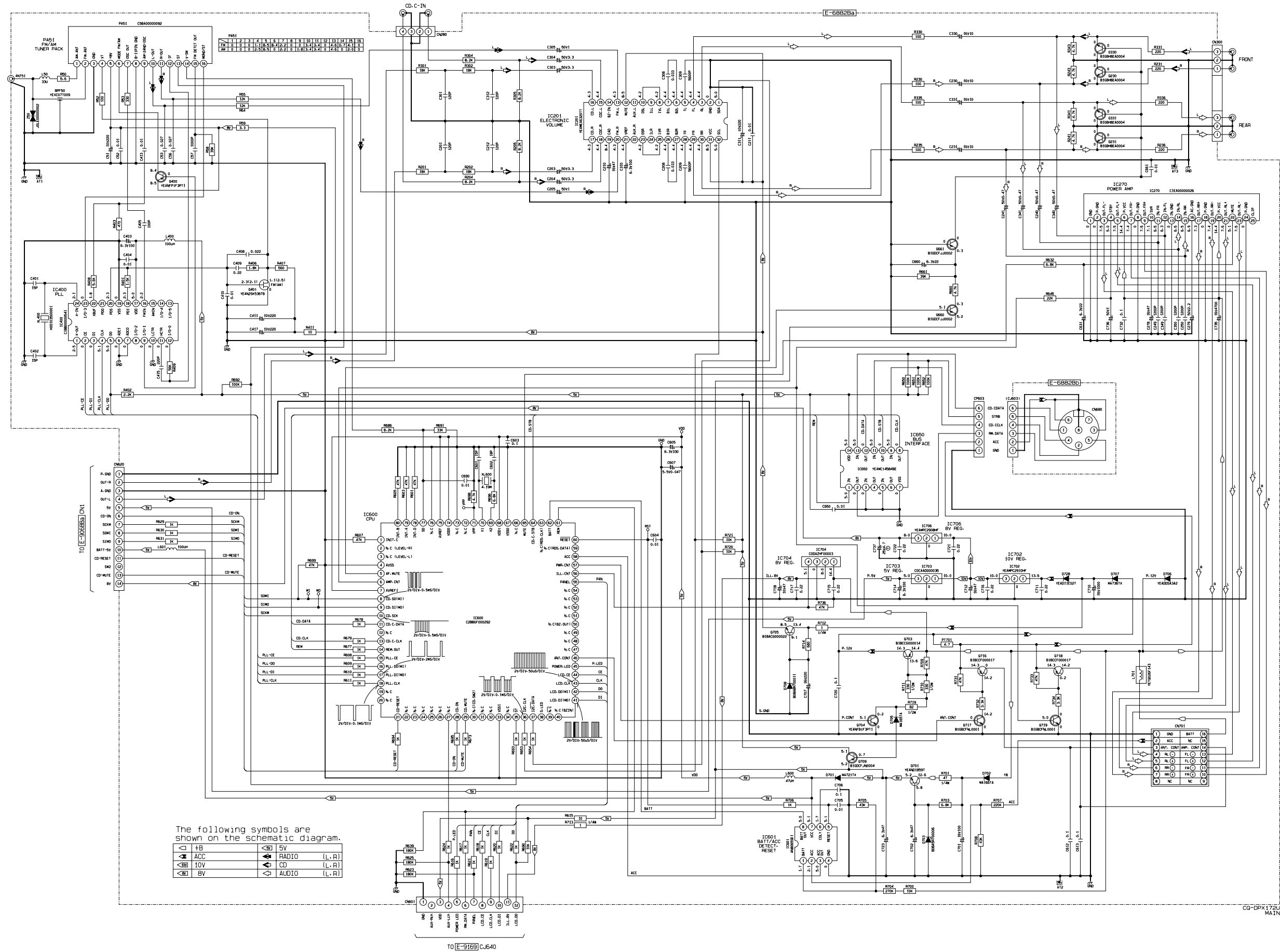
17.1. Display Block



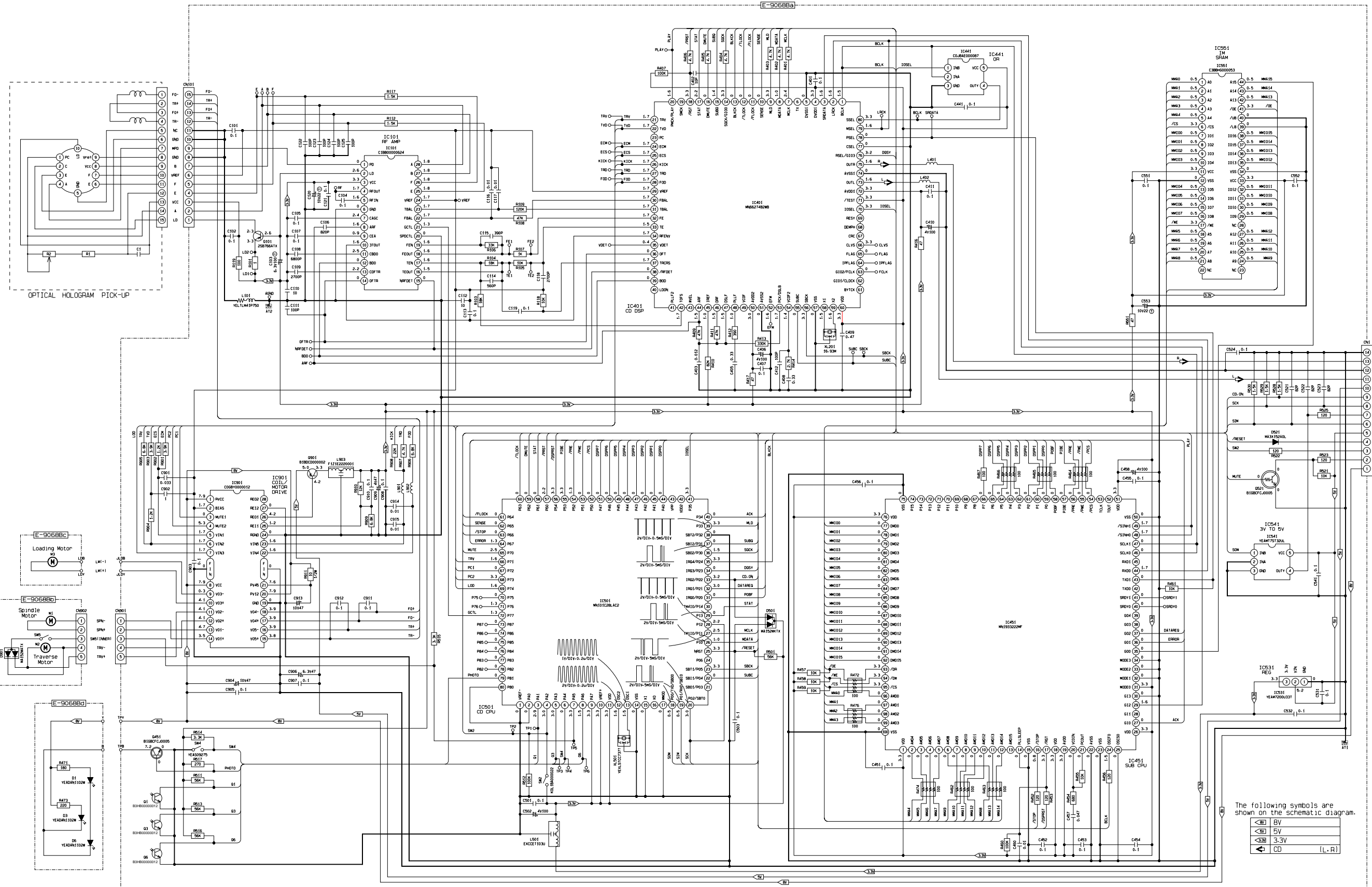
CO-DPX172U DISP

18 SCHEMATIC DIAGRAM -2

18.1. Main Block



18.2. CD Servo Block



CQ-DPX172U CD DECK

Printed in Japan (K) 2002.2 (Recycled Paper)