

GENERAL

The Motorola Model EQB3000 Graphic Equalizer Stereo Booster Amplifier is designed to be used with most automotive stereo radios and tape players with 12 volt negative ground systems.

IMPORTANT

1. Use only speakers that are designed to handle the power output of the EQB3000. See your Motorola dealer for quality speakers with adequate power handling capability.
2. Do not connect any of the speaker output leads of the EQB3000 to ground or chassis. Each speaker must be connected to the unit with two separate wires.
3. Do not use the EQB3000 with radios or tape players that have a "bridge" type output circuitry.

SPECIFICATIONS

Power Output: 30 Watts RMS (15 watts per channel) with 4 ohm load 14.0 VDC.
Frequency Response: 35 Hz to 20,000 Hz (-3 dB) typical.
Equalizer Frequencies: 60 Hz, 250 Hz, 1000 Hz, 3500 Hz, 10,000 Hz.
Equalizer Control Range: 12 dB boost typical, 12 dB cut typical.
Input Impedance: 25 ohms, DC coupled.
Minimum Load Impedance: 3 ohms per channel.
Power Output Level Indicator System: 5 LED's.

MOUNTING

1. Select a suitable area on the underside of the instrument panel to mount the EQB3000. See Figure A.
2. Attach the mounting bracket to the underside of the instrument panel at the selected location using tapping screws as indicated.
3. Attach the support strap to the rear of the EQB3000 with a machine screw and lockwasher as indicated.
4. Attach the EQB3000 to the mounting bracket.
5. Secure the support strap to the car as indicated.

ELECTRICAL CONNECTION

1. Attach the ground wire to the car frame. To insure a good ground connection scrape paint and dirt away from the connection area.
2. Connect the input wires to the radio or tape player. Use wire nuts.
3. Connect the output wires of the EQB3000 to the speakers as indicated. Use wire nuts. For a four speaker installation use 6 or 8 ohm speakers only. For a two speaker installation 4, 6, or 8 ohm speakers can be used.
4. For a two speaker installation, if desired, the fader control can be made inoperative by connecting the front and rear speaker output wires together. The red striped front speaker wire should be connected to the red striped rear speaker wire and the non striped front and rear speaker wires also connected.
5. Connect the power wire to the fuse block at the accessory side only. Use adaptor terminal if needed.

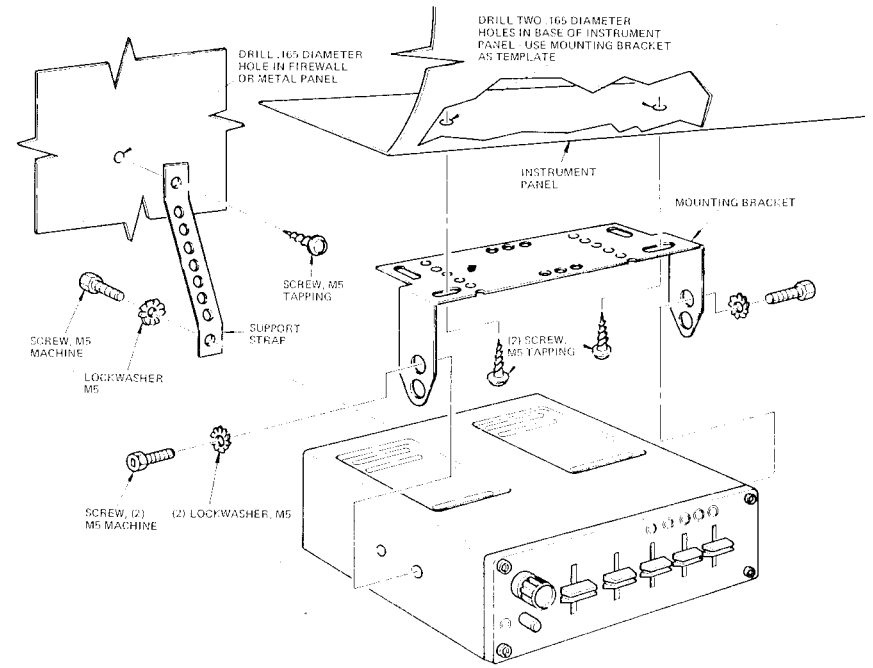
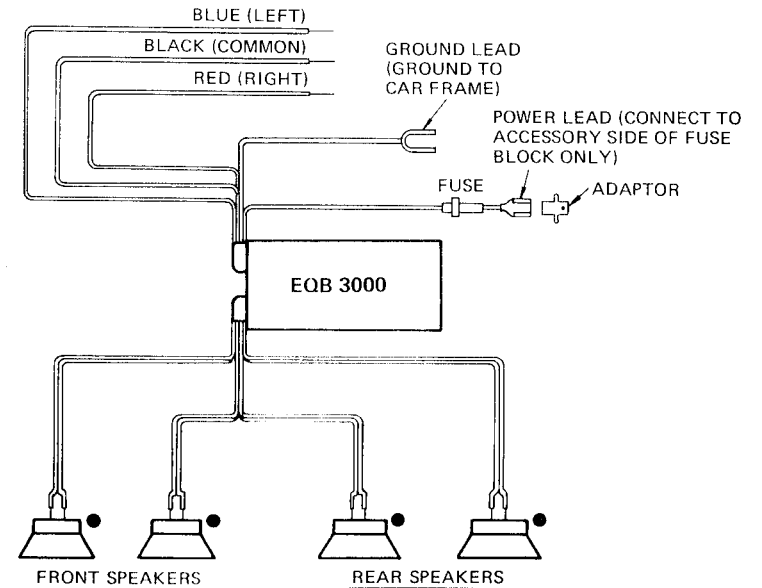


FIGURE A - UNDERDASH MOUNTING

INPUT WIRES.

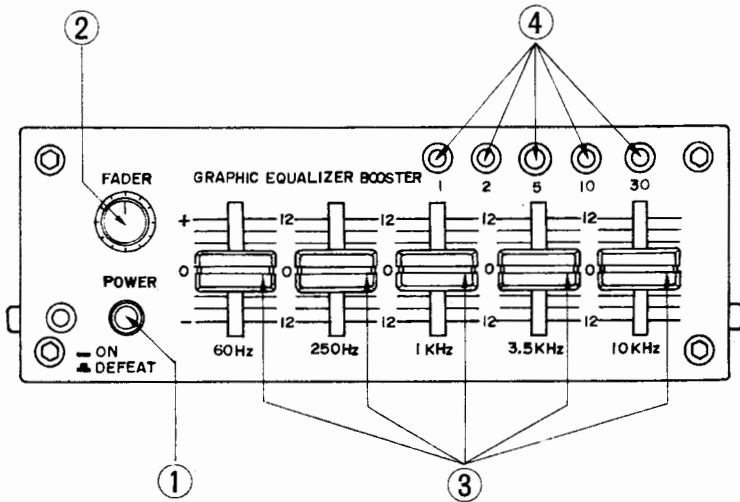
CONNECT TO CAR STEREO SPEAKER OUTPUTS.

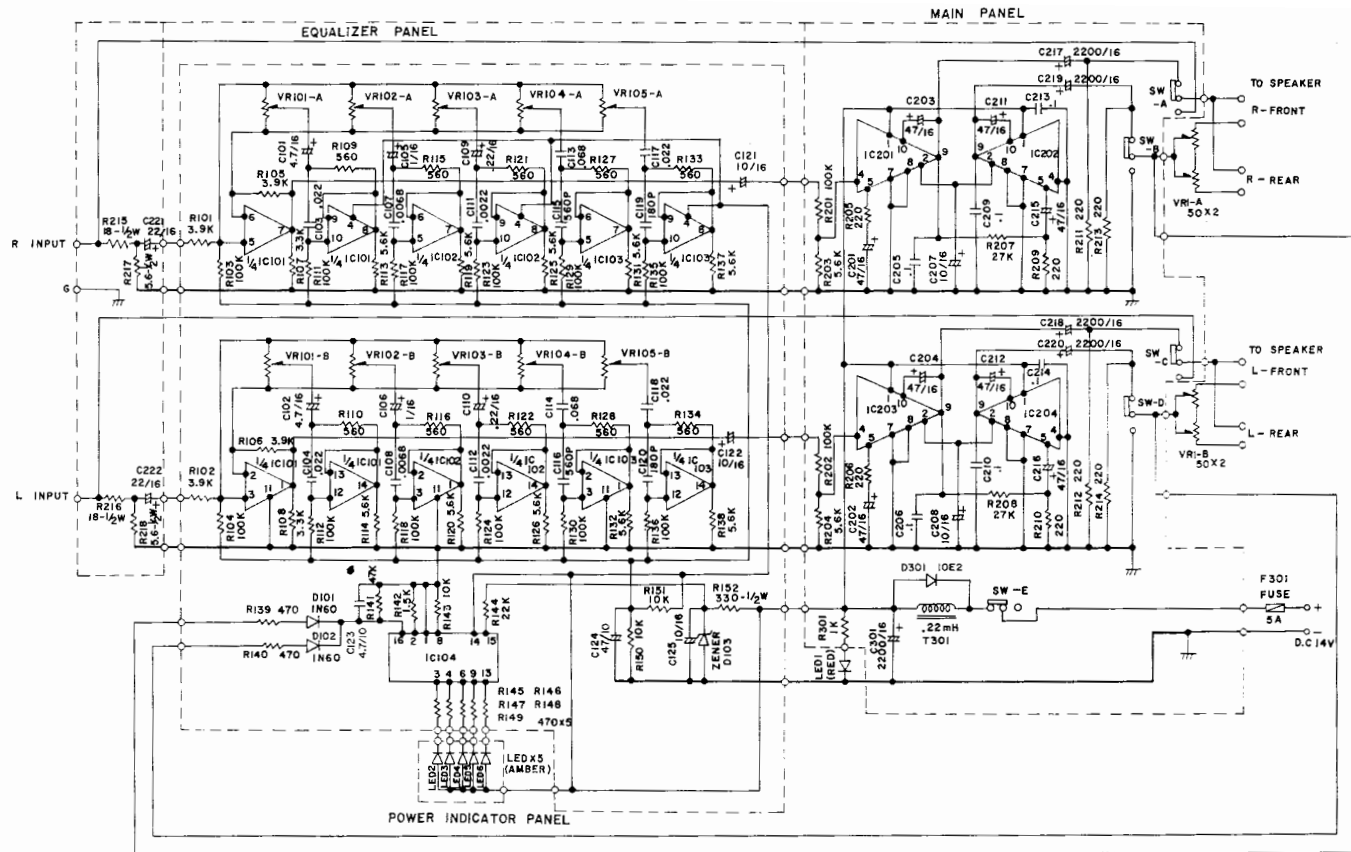


CONNECT RED STRIPE WIRE TO POSITIVE TERMINAL OF SPEAKER INDICATED BY A COLOR DOT OR PLUS SIGN

OPERATION

1. The Power Switch (1) will turn the unit on and off. The LED located next to the power switch will glow red when the unit is turned on. When the EQB3000 is turned off, the output of the radio or tape player bypasses the EQB3000 and is directly connected to the speakers.
2. The Front/Rear Fader Control (2) is used to adjust the desired front to rear sound listening level.
3. The Equalizer Slide Controls (3) are used to adjust the frequency response to the individuals desired listening characteristics. Moving the control up from the center position will boost or increase the level in that particular frequency band. Moving the control down will decrease the level. When all the slide controls are set at the center position the frequency response will be "flat".
4. The Power Output Level of the EQB3000 is indicated by the row of 5 LED's (4). At low listening levels only the first LED will light or flicker occasionally. As the power output is increased, more LED's will light.





DWG. NO. 63D40250T08-A

SCHEMATIC DIAGRAM