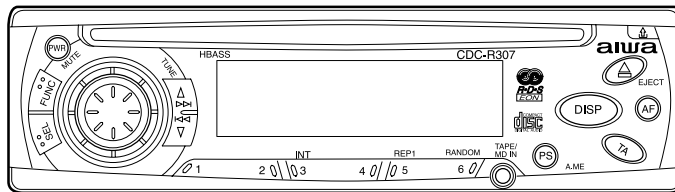




# CDC-R307 YZ

# CDC-RV407 YZ



# SERVICE MANUAL

STEREO CAR CD RECEIVER

BASIC CD MECHANISM : CDC02AW1

- This Service Manual is the "Revision Publishing" and replaces "Simple Manual" (S/M Code No. 09-002-429-0T1).

**aiwa**  
S/M Code No. 09-004-429-0R1

REVISION  
DATA

# SPECIFICATIONS

## RADIO SECTION

<b>(FM)</b>	
<b>Frequency Range</b>	87.5 MHz – 108 MHz (50 kHz steps)
<b>Usable Sensitivity</b>	12.7 dBf
<b>50 dB Quieting Sensitivity</b>	17.2 dBf
<b>IF Rejection</b>	80 dB
<b>Frequency Response</b>	30 Hz – 15,000 Hz
<b>S/N Ratio</b>	63 dB
<b>Stereo Separation</b>	35 dB at 1 kHz
<b>Alternate Channel Selectivity</b>	70 dB
<b>Capture Ratio</b>	3 dB

## (MW)

<b>Frequency Range</b>	531 kHz – 1,602 kHz (9 kHz steps)
<b>Usable Sensitivity</b>	30 µV (30 dB)

## (LW)

<b>Frequency Range</b>	144 kHz – 288 kHz (1 -kHz/9 -kHz steps)
<b>Usable Sensitivity</b>	30 µV (30 dB)

## CD SECTION

<b>Frequency Response</b>	17 Hz – 20 kHz +0/-3 dB
<b>Dynamic Range</b>	More than 80 dB
<b>Channel Separation</b>	More than 65 dB
<b>S/N Ratio</b>	More than 85 dB
<b>Wow/Flutter</b>	Unmeasurable

## AUDIO SECTION

<b>Max. Power Output</b>	45 W x 4 channels
--------------------------	-------------------

## AUX IN input

<b>Input Sensitivity (load impedance)</b>	
<b>AUX IN</b>	300 mV (10 kΩ)

## GENERAL

<b>Power Supply Voltage</b>	14.4 V (11 to 16 V allowable), DC, negative ground
<b>Load Impedance</b>	4 Ω
<b>Tone Control</b>	Bass ±10 dB at 100 Hz Treble ±10 dB at 10 kHz
<b>Preamp Output Voltage (load impedance)</b>	2.2 V (10 kΩ)
<b>Installation Size</b>	182 (W) x 53 (H) x 155 (D) mm (7 <sup>1</sup> / <sub>4</sub> (W) x 2 <sup>1</sup> / <sub>8</sub> (H) x 6 <sup>1</sup> / <sub>8</sub> (D) inches)

## STEERING-WHEEL-MOUNTED REMOTE CONTROL UNIT

<b>Dimensions</b>	Approx. 67 (W) x 26 (H) x 27 (D) mm (2 <sup>3</sup> / <sub>4</sub> (W) x 1 <sup>1</sup> / <sub>16</sub> (H) x 1 <sup>1</sup> / <sub>8</sub> (D) inches) (excluding holder)
<b>Weight</b>	Approx. 38 g (1.33 oz.) (including holder, battery)

• Design and specifications are subject to change without notice.

## ACCESSORIES / PACKAGE LIST

REF. NO.	PART NO.	KANRI NO.	DESCRIPTION
1	8A-KCG-905-010	IB, INST	YZ (9L) - I
1	8A-KC4-901-010	IB, YZ (9L)	R307, RV407
2	8Z-KC1-030-010	CASE,	DFP-C
3	8Z-KC1-231-110	HLDR,	HALF-C
4	8Z-KC1-235-010	HLDR,	REAR MTG
5	8Z-KC1-232-010	KEY,	REMOVE-C
6	87-B10-141-010	NUT,	5 TYPE-2
7	87-B10-144-010	W,	5.2-10-0.5
8	87-B10-145-010	W-SPR,	5.3-8.5-1.5
9	87-B10-143-010	UT1+5-15	W/O SLOT
10	87-B10-216-010	U+2.6-4.0	ZINC BLK (BH M2.6)
11	8Z-KC1-244-010	S-SCREW,	5*6 TH+TAPPING ST
12	8Z-KC1-250-010	S-SCREW,	HEXAGON
*13	R8-AZR-190-040	AZR-1	RCKCGNF

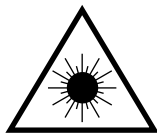
\* NOTE: This remote controller is not an accessory part.  
It is an individual model.

## PROTECTION OF EYES FROM LASER BEAM DURING SERVICING

This set employs laser. Therefore, be sure to follow carefully the instructions below when servicing.

### WARNING!!

WHEN SERVICING, DO NOT APPROACH THE LASER EXIT WITH THE EYE TOO CLOSELY. IN CASE IT IS NECESSARY TO CONFIRM LASER BEAM EMISSION, BE SURE TO OBSERVE FROM A DISTANCE OF MORE THAN 30cm FROM THE SURFACE OF THE OBJECTIVE LENS ON THE OPTICAL PICK-UP BLOCK.



- Caution: Invisible laser radiation when open and interlocks defeated avoid exposure to beam.
- Advarsel: Usynlig laserstråling ved åbning, når sikkerhedsafbrydere er ude af funktion. Undgå udsættelse for stråling.

### VAROITUS!

Laiteen Käyttäminen muulla kuin tässä käyttöohjeessa mainitulla tavalla saattaa altistaa käyt-täjän turvallisuusluokan 1 ylittävälle näkymättömälle lasersäteilylle.

### WARNING!

Om apparaten används på annat sätt än vad som specificeras i denna bruksanvisning, kan användaren utsättas för osynlig laserstråling, som överskrider gränsen för laserklass 1.

### CAUTION

Use of controls or adjustments or performance of procedures other than those specified herein may result in hazardous radiation exposure.

### ATTENTION

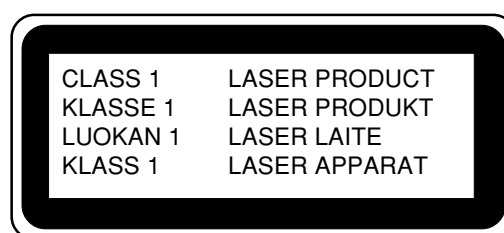
L'utilisation de commandes, réglages ou procédures autres que ceux spécifiés peut entraîner une dangereuse exposition aux radiations.

### ADVARSEL

Usynlig laserstråling ved åbning, når sikkerhedsafbrydere er ude af funktion. Undgå udsættelse for stråling.

This Compact Disc player is classified as a CLASS 1 LASER product.

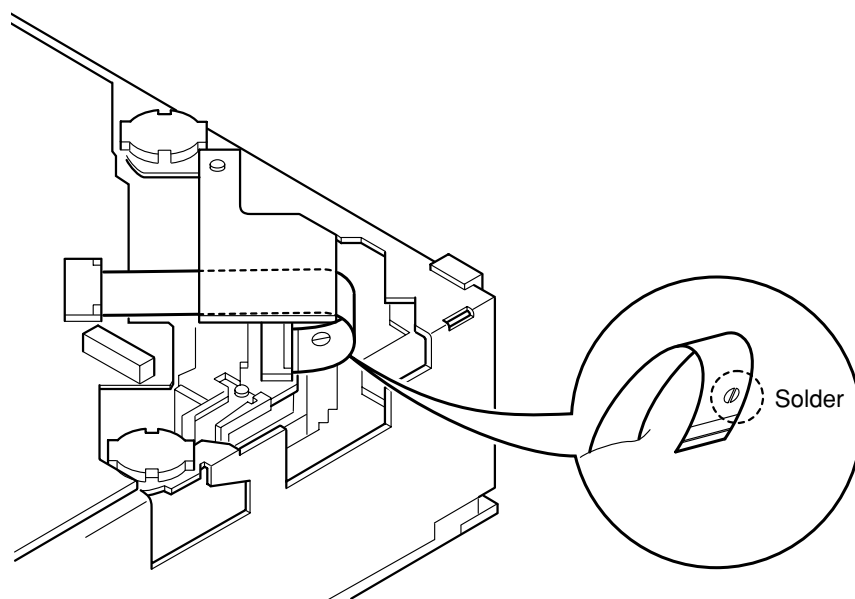
The CLASS 1 LASER PRODUCT label is located on the rear exterior.



## Precaution to replace Optical block (KSS – 710A)

Body or clothes electrostatic potential could ruin laser diode in the optical block. Be sure ground body and workbench, and use care the clothes do not touch the diode.

- 1) After the connection, remove solder shown in right figure.



## CAUTION WHEN SERVICING

### 1. Disassembly Instruction

- 1) Remove the COVER TOP and COVER BOTTOM.
- 2) Remove the DFP.
- 3) Remove the four screws (indicated by arrows) from CD mechanism. (Fig. 1)  
Screw (a) × 2: VTT 2.6-6  
Screw (b) × 2: VTT 2.6-3B

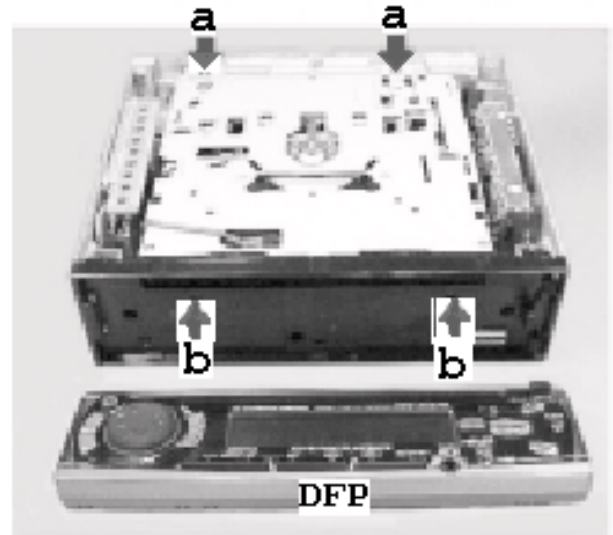


Fig. 1

### 2. Servicing Position

- Put the DFP onto the CD case to fix it. (Fig. 2)

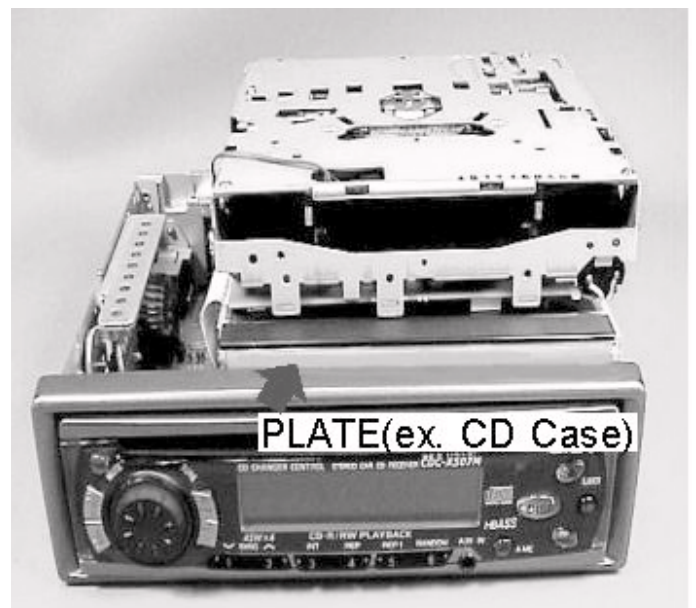


Fig. 2

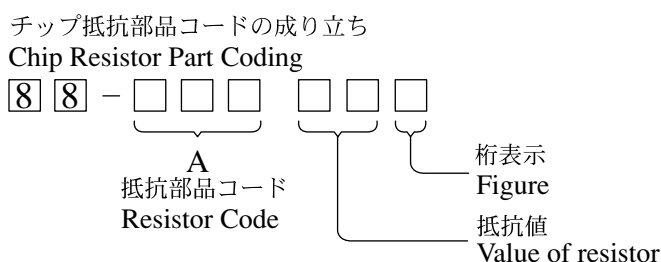
# ELECTRICAL MAIN PARTS LIST

REF. NO.	PART NO.	KANRI NO.	DESCRIPTION	REF. NO.	PART NO.	KANRI NO.	DESCRIPTION
<b>IC</b>				C120	87-010-185-080		C-CAP,S 3900P-50 B
	88-KT1-606-080		IC,PST994D	C121	87-010-220-080		C-CAP,S 0.018-25BK
	8Z-KT1-622-010		C-IC,LC75374E	C122	87-010-220-080		C-CAP,S 0.018-25BK
	87-A21-562-010		IC,LA4743B	C123	87-012-358-080		C-CAP,S 0.47-10 FZ
	87-A21-528-030		C-IC,UPD178018AGC-554-3B9	C124	87-012-358-080		C-CAP,S 0.47-10 FZ
	87-020-784-080		IC,TC4053BF	C131	87-010-182-080		C-CAP,S 2200P-50 KB
	88-KT1-608-010		C-IC,LC75854W	C132	87-010-182-080		C-CAP,S 2200P-50 KB
	87-A90-951-010		RCR UNIT,SBX1971-52	C151	87-012-149-080		C-CAP,S 30P-50 J CH
	87-A21-467-010		C-IC,CXA2581N	C152	87-010-315-080		C-CAP,S 27P-50 J CH
	87-A21-533-030		C-IC,CXD2587Q	C153	87-010-495-040		CAP,E 2.2-50 M 5L
	87-017-888-080		IC,NJM4558MD	C154	87-012-157-080		C-CAP,S 330P-50 J CH
	87-A21-534-030		C-IC,UPD78012FGC-656-AB8	C155	87-010-175-080		CHIP CAP,560P-50 J SL
	87-A21-161-040		C-IC,BA6392FP	C156	87-010-196-080		CHIP CAPACITOR,0.1-25
	87-A20-712-040		C-IC,BA6417F	C157	87-010-553-040		CAP,E 47-16 M 5L
	88-KT1-607-080		C-IC,SAA6579T	C202	87-012-358-080		C-CAP,S 0.47-10 FZ
<b>TRANSISTOR</b>				C203	87-010-196-080		CHIP CAPACITOR,0.1-25
	87-A30-287-040		C-TR,DTC114TKA	C205	87-010-553-040		CAP,E 47-16 GAS
	87-A30-289-040		C-TR,2SA1037AK (R)	C206	87-010-198-080		CAP,CHIP 0.022
	89-324-122-080		C-TR,2SC2412KR	C207	87-010-196-080		CHIP CAPACITOR,0.1-25
	87-A30-290-010		TR,KTA1658 (Y)	C208	87-010-196-080		CHIP CAPACITOR,0.1-25
	87-A30-291-010		TR,KTC4369 (Y)	C209	87-010-196-080		CHIP CAPACITOR,0.1-25
	89-418-580-080		TR,2SD1858-TV2	C211	87-010-198-080		CAP,CHIP 0.022
	89-423-953-010		TR,2SD2395F	C212	87-010-196-080		CHIP CAPACITOR,0.1-25
	89-113-625-080		C-TR,2SA1362GR	C214	87-010-196-080		CHIP CAPACITOR,0.1-25
	87-A30-283-040		C-TR,DTA114YKA	C216	87-010-198-080		CAP,CHIP 0.022
	87-A30-248-040		C-TR,2SB1197KQ	C217	87-010-196-080		CHIP CAPACITOR,0.1-25
	87-A30-011-080		C-TR,DTB113ZK	C218	87-010-196-080		CHIP CAPACITOR,0.1-25
	87-A30-273-040		C-TR,DTC124EKA	C219	87-010-182-080		C-CAP,S 2200P-50 B
	87-026-210-040		C-TR,DTC144EK	C220	87-010-553-040		CAP,E 47-16 GAS
<b>DIODE</b>				C251	87-012-368-080		C-CAP,S 0.1-50 ZF
	87-A40-250-080		C-DIODE,DAN217	C252	87-010-182-080		C-CAP,S 2200P-50 B
	87-A40-649-080		ZENER,MTZJ11A	C301	87-012-358-080		C-CAP,S 0.47-10 FZ
	87-A40-509-080		ZENER,MTZJ6.8C	C302	87-012-358-080		C-CAP,S 0.47-10 FZ
	87-020-330-080		DIODE,DAP202K	C303	87-010-805-080		CAP,S 1-16
	87-A40-620-080		ZENER,MTZJ6.2A	C304	87-010-805-080		CAP,S 1-16
	87-A40-650-080		ZENER,MTZJ6.8A	C305	87-010-184-080		CHIP CAPACITOR,3300P(K)
	87-017-932-080		ZENER,MTZJ6.2B	C306	87-010-184-080		CHIP CAPACITOR,3300P(K)
	87-070-136-080		ZENER,MTZJ5.1B	C307	87-010-198-080		CAP,CHIP 0.022
	87-A40-798-010		DIODE,1N5402 (3A/200V)	C308	87-010-198-080		CAP,CHIP 0.022
	87-020-465-080		DIODE,1SS133	C309	87-010-805-080		C-CAP,S 1-16 ZF
	87-020-331-080		C-DIODE,DAN202K	C310	87-010-805-080		C-CAP,S 1-16 ZF
	87-A40-523-080		ZENER,MTZJ9.1B	C311	87-A11-177-080		C-CAP,S 0.15-16 KB
	87-A40-337-080		ZENER,MTZJ6.8B	C312	87-A11-177-080		C-CAP,S 0.15-16 KB
	87-001-783-080		DIODE,1N4002	C313	87-A11-177-080		C-CAP,S 0.15-16 KB
	87-020-331-080		C-DIODE,DAN202K	C314	87-A11-177-080		C-CAP,S 0.15-16 KB
<b>MAIN C.B</b>				C315	87-010-805-080		C-CAP,S 1-16 ZF
ANT101	8Z-KT1-614-010		ANT,AW-002	C316	87-010-805-080		C-CAP,S 1-16 ZF
C101	87-010-178-080		CHIP CAP,1000P	C317	87-010-196-080		CHIP CAPACITOR,0.1-25
C102	87-010-197-080		CAP,CHIP 0.01 DM	C318	87-010-498-040		CAP,E 10-16 GAS
C103	87-010-186-080		C-CAP,S 4700P-50 KB	C321	87-010-555-040		CAP,E 100-10 GAS
C104	87-010-186-080		C-CAP,S 4700P-50 KB	C322	87-010-198-080		CAP,CHIP 0.022
C105	87-010-490-040		CAP,E 0.1-50 M 5L	C331	87-A11-062-080		C-CAP,S 2.2-16 ZF
C106	87-010-198-080		CAP,CHIP 0.022	C332	87-A11-062-080		C-CAP,S 2.2-16 ZF
C107	87-010-198-080		CAP,CHIP 0.022	C333	87-A11-062-080		C-CAP,S 2.2-16 ZF
C108	87-018-131-080		CAP,TC U 1000P-50 KB	C334	87-A11-062-080		C-CAP,S 2.2-16 ZF
C109	87-010-197-080		CAP,CHIP 0.01 DM	C335	87-010-491-040		CAP,E 0.22-50 GAS
C111	87-010-196-080		CHIP CAPACITOR,0.1-25	C336	87-010-491-040		CAP,E 0.22-50 GAS
C112	87-010-197-080		CAP,CHIP 0.01 DM	C339	87-010-805-080		CAP,S 1-16
C113	87-010-197-080		CAP,CHIP 0.01 DM	C340	87-010-805-080		CAP,S 1-16
C115	87-010-178-080		CHIP CAP,1000P	C342	87-012-140-080		CAP,470P
C116	87-010-197-080		CAP,CHIP 0.01 DM	C344	87-012-140-080		CAP,470P
C117	87-010-197-080		CAP,CHIP 0.01 DM	C401	87-010-494-040		CAP,E 1-50 M 5L SRE
C118	87-010-197-080		CAP,CHIP 0.01 DM	C405	87-010-196-080		CHIP CAPACITOR,0.1-25
C119	87-010-495-040		CAP,E 2.2-50 GAS	C406	87-010-196-080		CHIP CAPACITOR,0.1-25
				C407	87-012-358-080		C-CAP,S 0.47-10 FZ
				C408	87-012-358-080		C-CAP,S 0.47-10 FZ
				C409	87-010-805-080		C-CAP,S 1-16 ZF
				C410	87-010-805-080		C-CAP,S 1-16 ZF
				C451	87-012-358-080		C-CAP,S 0.47-10 FZ
				C452	87-012-358-080		C-CAP,S 0.47-10 FZ

REF. NO.	PART NO.	KANRI NO.	DESCRIPTION	REF. NO.	PART NO.	KANRI NO.	DESCRIPTION
C453	87-012-358-080		C-CAP,S 0.47-10 FZ	LCD951	8A-KC3-610-010		LCD,AKC-3/4 (2 COLOR)<307>
C454	87-010-197-080		CAP,CHIP 0.01 DM	LCD951	8A-KC3-611-010		LCD,AKC-3/4 (NO COLOR)<407>
C501	87-012-358-080		C-CAP,S 0.47-10 FZ	LED951	87-017-827-070		C-LED,SEC1201C RED
C502	87-012-358-080		C-CAP,S 0.47-10 FZ	LED952	87-017-827-070		C-LED,SEC1201C RED
C503	87-012-358-080		C-CAP,S 0.47-10 FZ	LED953	87-017-827-070		C-LED,SEC1201C RED
C504	87-012-358-080		C-CAP,S 0.47-10 FZ	LED954	87-A40-813-040		C-LED,SEC1E01C BLUE
C505	87-010-178-080		CHIP CAP,1000P	LED955	87-A40-813-040		C-LED,SEC1E01C BLUE
C506	87-010-178-080		CHIP CAP,1000P	LED956	87-A40-813-040		C-LED,SEC1E01C BLUE
C507	87-010-178-080		CHIP CAP,1000P	PL951	8Z-KT1-641-010		LAMP,T-3<307>
C508	87-010-178-080		CHIP CAP,1000P	PL952	8Z-KT1-641-010		LAMP,T-3<307>
C509	87-010-805-080		CAP,S 1-16	S951	87-036-251-080		SW,TACT SKQCAE
C510	87-010-498-040		CAP,E 10-16 GAS	S952	87-036-251-080		SW,TACT SKQCAE
C511	87-012-368-080		C-CAP,S 0.1-50 ZF	S953	87-036-251-080		SW,TACT SKQCAE
C512	87-012-368-080		C-CAP,S 0.1-50 ZF	S954	87-A90-001-080		C-SW,TACT SKQMAL
C513	87-012-368-080		C-CAP,S 0.1-50 ZF	S955	87-036-251-080		SW,TACT SKQCAE
C514	87-012-368-080		C-CAP,S 0.1-50 ZF	S956	87-036-251-080		SW,TACT SKQCAE
C519	87-010-805-080		C-CAP,S 1-16 ZF	S957	87-036-251-080		SW,TACT SKQCAE
C801	8A-KC7-623-000		CAP,E 2200U-16 BT(125C)	S958	87-A90-001-080		C-SW,TACT SKQMAL
C901	87-016-039-090		CAP,DL 0.022F-5.5 Z 70 FM	S959	87-A90-001-080		C-SW,TACT SKQMAL
C902	87-012-358-080		C-CAP,S 0.47-10 FZ	S960	87-A90-001-080		C-SW,TACT SKQMAL
C903	87-010-196-080		CHIP CAPACITOR,0.1-25	S961	87-036-251-080		SW,TACT SKQCAE
C904	87-010-315-080		C-CAP,S 27P-50 CH	S962	87-036-251-080		SW,TACT SKQCAE
C905	87-010-314-080		C-CAP,S 22P-50V	S963	87-036-251-080		SW,TACT SKQCAE
C906	87-010-196-080		CHIP CAPACITOR,0.1-25	S964	87-036-251-080		SW,TACT SKQCAE
C907	87-010-178-080		CHIP CAP,1000P	S965	87-036-251-080		SW,TACT SKQCAE
C908	87-010-178-080		CHIP CAP,1000P	S966	87-036-251-080		SW,TACT SKQCAE
C909	87-010-198-080		CAP,CHIP 0.022	S967	87-A91-597-010		SW,RTRY SIM-026MT
C910	87-010-322-080		C-CAP,S 100P-50 CH				
C911	87-010-322-080		C-CAP,S 100P-50 CH				
C912	87-010-198-080		CAP,CHIP 0.022				JACK AUX C.B
C914	87-010-198-080		CAP,CHIP 0.022	FC951	8A-KC7-611-010		F-CABLE,3P(AUX)
C916	87-010-198-080		CAP,CHIP 0.022	J951	85-HRL-623-010		JACK,3.5 ST BLK
CON401	87-A61-219-010		CONN,20P H 52089-2020				
CON402	88-KTA-603-010		CONN,15P CAM-B68				
CON851	8A-KT1-632-010		CONN,ASSY 8P ISO WHITE A				CD C.B
CON852	8A-KT1-631-010		CONN,ASSY 8P ISO BLACK A	C803	87-A10-711-080		C-CAP,E 100-6.3 M MF
D909	87-027-262-010		LED,TLR-124 (RED)	C804	87-010-178-080		CHIP CAP,1000P
F251	8Z-KC1-621-010		FUSE,15A 32V	C805	87-016-669-080		C-CAP,S 0.1-25 K B
FFC401	88-KC4-641-010		FF-CABLE,20P 1.0 90MM	C806	87-010-184-080		CHIP CAPACITOR,3300P(K)
J401	87-A61-225-010		JACK,PIN 2P XR-401	C808	87-016-669-080		C-CAP,S 0.1-25 K B
L101	87-003-143-080		COIL,4.7UH	C809	87-010-880-080		C-CAP,E 47-6.3 MF
L102	8Z-KT1-619-010		COIL,68MH K7-D	C811	87-016-669-080		C-CAP,S 0.1-25 K B
L201	87-003-149-080		COIL,47UH	C813	87-016-669-080		C-CAP,S 0.1-25 K B
L202	87-003-102-080		COIL,10UH	C816	87-010-880-080		C-CAP,E 47-6.3 MF
L301	87-003-102-080		COIL,10UH	C831	87-012-156-080		C-CAP,S 220P-50 CH
L401	87-003-102-080		COIL,10UH	C832	87-010-194-080		CAP,CHIP 0.047
L402	87-003-102-080		COIL,10UH	C833	87-012-156-080		C-CAP,S 220P-50 CH
L851	8Z-KT1-615-010		FLTR,AMORPHOUS-CHOKE	C834	87-012-156-080		C-CAP,S 220P-50 CH
S901	87-A91-070-010		SW,TACT SKHHLV	C835	87-016-669-080		C-CAP,S 0.1-25 K B
SFR101	87-024-437-080		SFR,100K H RH063MC	C836	87-012-156-080		C-CAP,S 220P-50 CH
TU101	8A-KC8-620-010		TU UNIT,FAE347-A11	C837	87-010-186-080		CHIP CAPACITOR,4700P(K)
X501	87-A70-091-010		VIB,XTAL 4.332MHZ CSA-309	C838	87-010-194-080		CAP,CHIP 0.047
X901	87-A70-175-010		VIB,XTAL 4.5MHZ AT-49	C839	87-010-880-080		C-CAP,E 47-6.3 MF
				C840	87-016-669-080		C-CAP,S 0.1-25 K B
				C841	87-016-669-080		C-CAP,S 0.1-25 K B
FRONT C.B				C842	87-016-526-080		C-CAP,S 0.47-16 BK
C951	87-012-358-080		C-CAP,S 0.47-10 FZ	C843	87-012-155-080		C-CAP,180P-50CH
C952	87-012-358-080		C-CAP,S 0.47-10 FZ	C844	87-012-155-080		C-CAP,180P-50CH
C953	87-010-176-080		C-CAP,S 680P-50 SL	C845	87-010-177-080		C-CAP,S 820P-50 SL
C954	87-010-194-080		CAP,CHIP 0.047	C846	87-010-177-080		C-CAP,S 820P-50 SL
C955	87-010-194-080		CAP,CHIP 0.047				
C956	87-010-194-080		CAP,CHIP 0.047	C847	87-010-885-080		C-CAP,E 22-10 MF
C957	87-012-358-080		C-CAP,S 0.47-10 FZ	C848	87-010-885-080		C-CAP,E 22-10 MF
C958	87-010-197-080		CAP,CHIP 0.01 DM	C849	87-010-318-080		C-CAP,S 47P-50 CH
C959	87-010-197-080		CAP,CHIP 0.01 DM	C850	87-010-318-080		C-CAP,S 47P-50 CH
C960	87-010-194-080		CAP,CHIP 0.047	C851	87-A12-034-080		C-CAP,E 2.2-35 M MF
CON951	88-KTA-602-010		CONN,15P CAM-B67	C852	87-A12-034-080		C-CAP,E 2.2-35 M MF
L951	87-005-906-080		C-COIL,S 10.0UHK	C853	87-010-178-080		CHIP CAP,1000P
L952	87-005-906-080		C-COIL,S 10.0UHK	C854	87-010-178-080		CHIP CAP,1000P
L953	87-005-906-080		C-COIL,S 10.0UHK	C855	87-A10-473-080		C-CAP,E 47-10 MF10FC(M)
				C856	87-016-669-080		C-CAP,S 0.1-25 K B

REF. NO.	PART NO.	KANRI NO.	DESCRIPTION	REF. NO.	PART NO.	KANRI NO.	DESCRIPTION
C857	87-010-880-080		C-CAP,E 47-6.3 MF	L832	87-A50-536-080		C-COIL,10UH K LQH3C24
C861	87-016-669-080		C-CAP,S 0.1-25 K B	L833	87-A50-536-080		C-COIL,10UH K LQH3C24
C862	87-016-669-080		C-CAP,S 0.1-25 K B	L861	87-A50-536-080		C-COIL,10UH K LQH3C24
C863	87-010-880-080		C-CAP,E 47-6.3 MF	L881	87-A50-536-080		C-COIL,10UH K LQH3C24
C881	87-A10-473-080		C-CAP,E 47-10 MF10FC(M)	S861	87-A91-627-080		SW,PUSH MPU10372MLBO
C882	87-016-669-080		C-CAP,S 0.1-25 K B	X831	87-A70-262-080		C-VIB,16.93MHZ CSTCW
C883	87-016-669-080		C-CAP,S 0.1-25 K B	X861	87-A70-251-080		C-VIB,CER 10.00MHZ CSTCC
C884	87-010-178-080		CHIP CAP,1000P				
C885	87-A10-473-080		C-CAP,E 47-10 MF10FC(M)				
C886	87-016-669-080		C-CAP,S 0.1-25 K B				
C887	87-016-669-080		C-CAP,S 0.1-25 K B				
C888	87-016-669-080		C-CAP,S 0.1-25 K B	SW1	87-A91-627-080		SWITCH
C889	87-A10-473-080		C-CAP,E 47-10 MF10FC(M)	SW2	87-A91-627-080		SWITCH
C891	87-012-156-080		C-CAP,S 220P-50 CH				
C892	87-012-156-080		C-CAP,S 220P-50 CH				
C893	87-012-156-080		C-CAP,S 220P-50 CH				
C894	87-012-156-080		C-CAP,S 220P-50 CH	LED958	87-A40-814-080		LED,SEL2E10C BLUE
C895	87-012-156-080		C-CAP,S 220P-50 CH				
C896	87-012-156-080		C-CAP,S 220P-50 CH				
C897	87-012-156-080		C-CAP,S 220P-50 CH				
CN801	87-A61-125-080		C-CONN,16P H FLZ-SM1-TB				
CN891	87-A61-220-080		C-CONN,20P H 52271-2090				
L801	87-A50-536-080		C-COIL,10UH K LQH3C24				
L802	87-A50-536-080		C-COIL,10UH K LQH3C24				
L831	87-A50-536-080		C-COIL,10UH K LQH3C24				

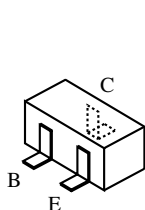
○チップ抵抗部品コード／CHIP RESISTOR PART CODE



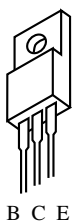
チップ抵抗  
Chip resistor

容量 Wattage	種類 Type	許容誤差 Tolerance	記号 Symbol	寸法/Dimensions (mm)			抵抗コード : A Resistor Code : A	
				外形/Form	L	W		t
1/16W	1005	± 5%	CJ		1.0	0.5	0.35	104
1/16W	1608	± 5%	CJ		1.6	0.8	0.45	108
1/10W	2125	± 5%	CJ		2	1.25	0.45	118
1/8W	3216	± 5%	CJ		3.2	1.6	0.55	128

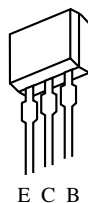
TRANSISTOR ILLUSTRATION



2SA1037 DTA114YKA  
 2SA1362 DTB113ZK  
 2SB1197 DTC114TKA  
 2SC2412 DTC124EKA  
 DTC144EK

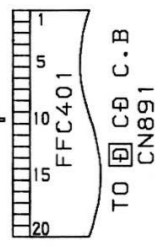
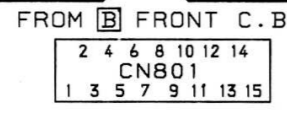
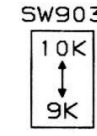
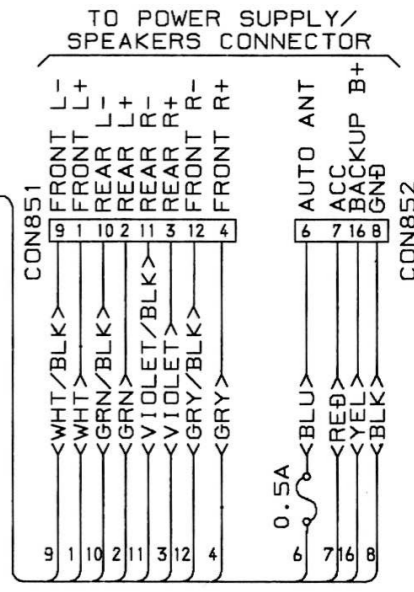
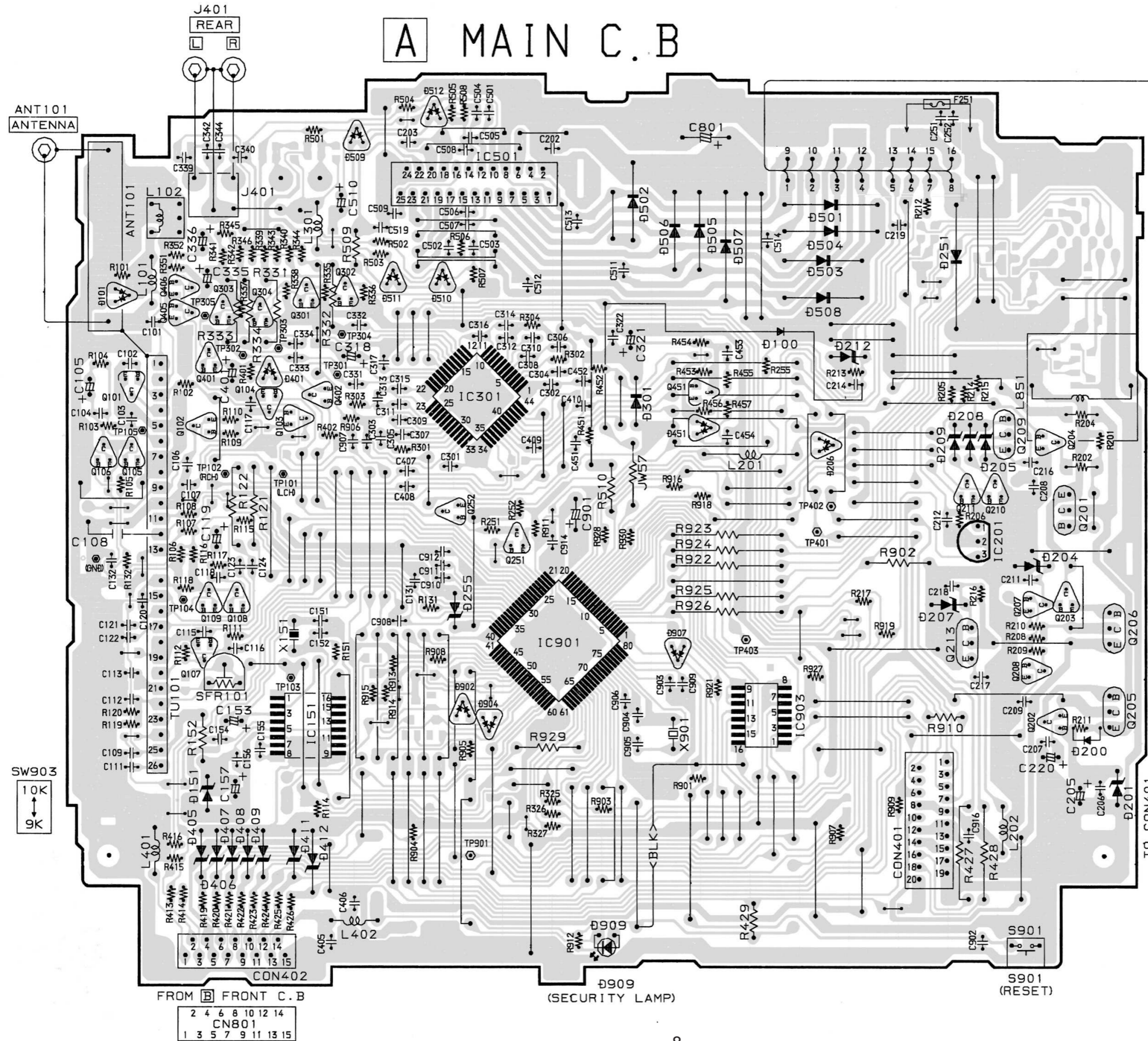


2SD2395  
 KTA1658  
 KTC4369



2SD1858

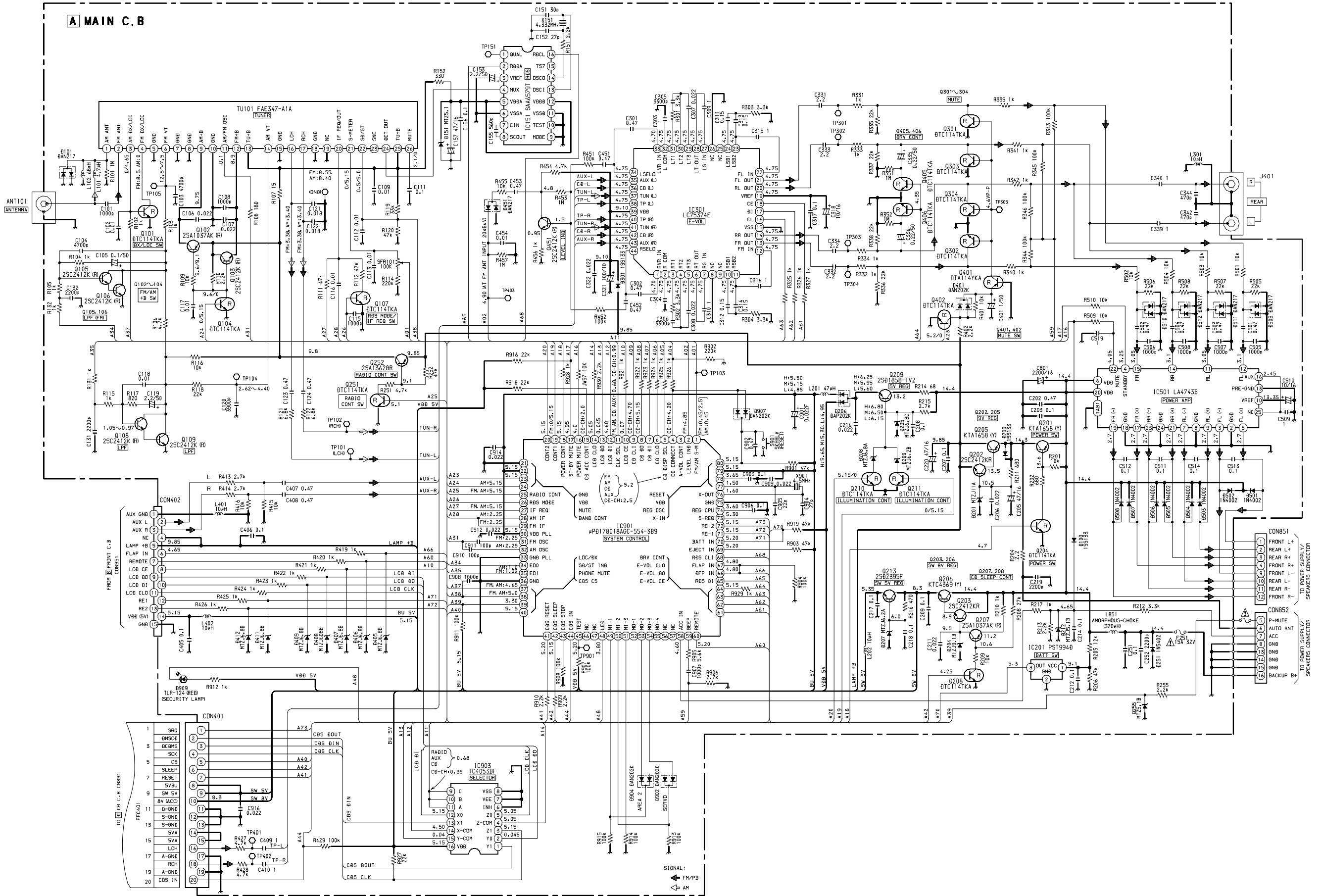


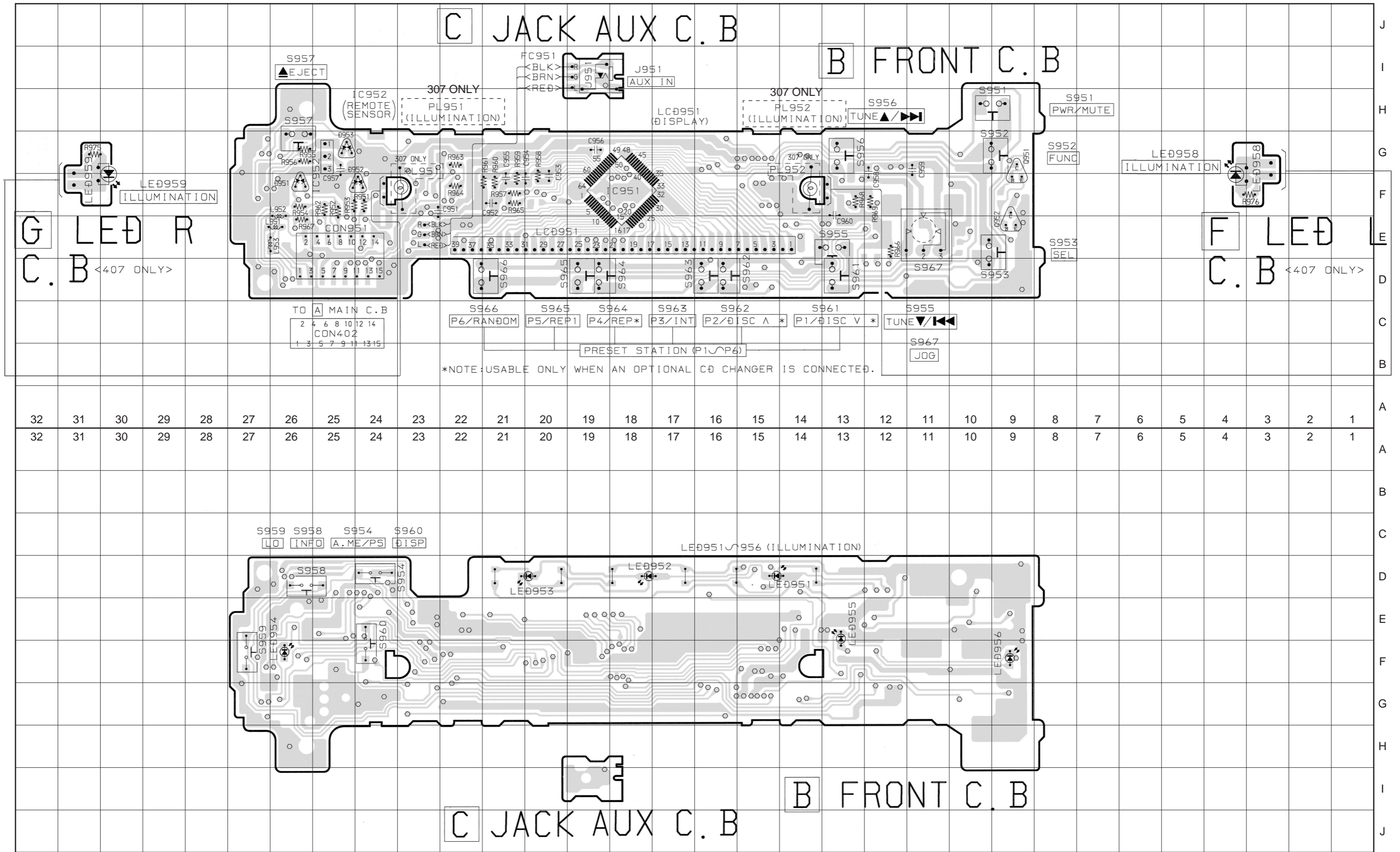


A  
B  
C  
D  
E  
F  
G  
H  
I  
J  
K  
L  
M  
N  
O  
P  
Q  
R  
S  
T  
U



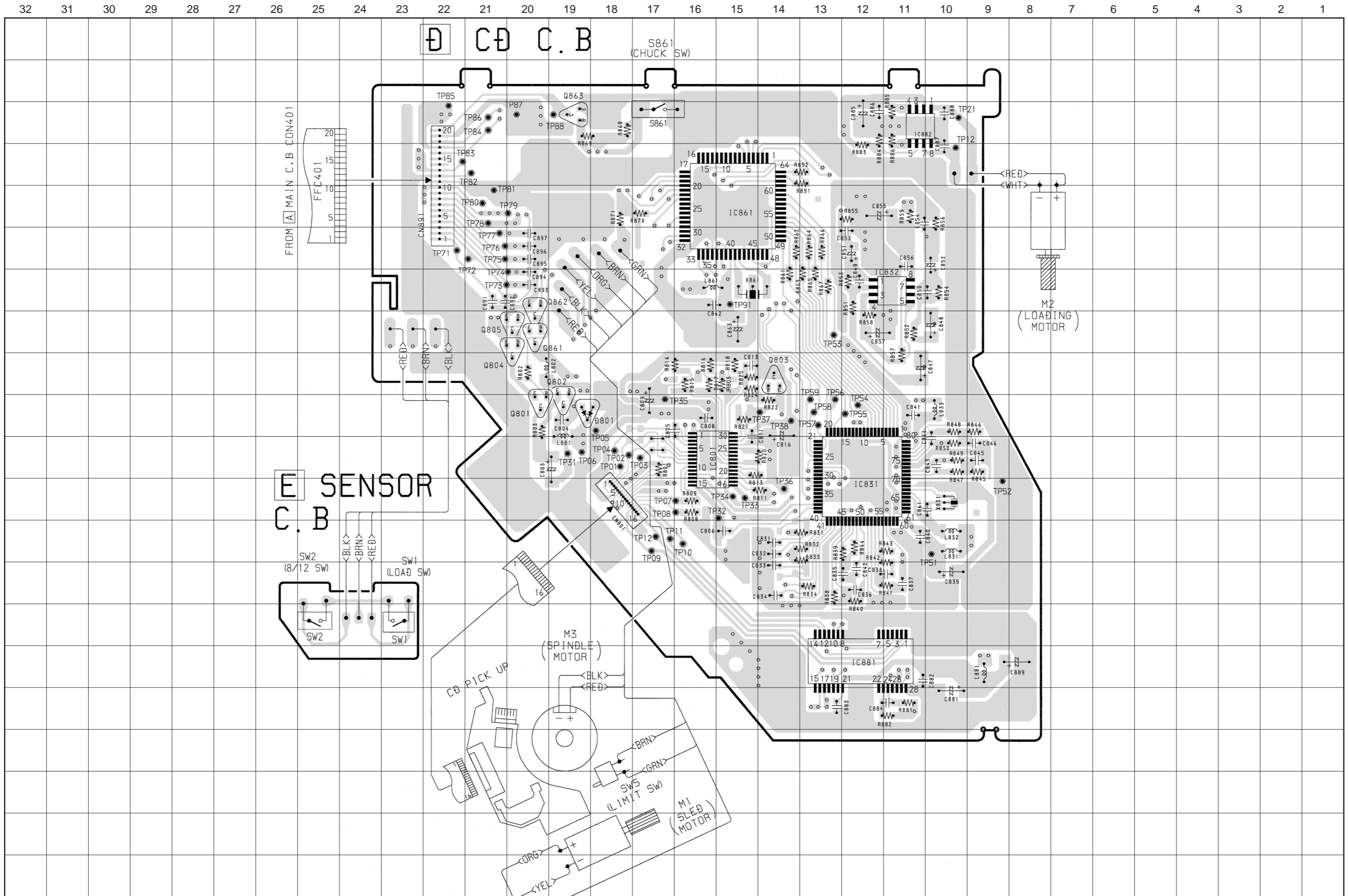
SCHEMATIC DIAGRAM - 1 (MAIN)

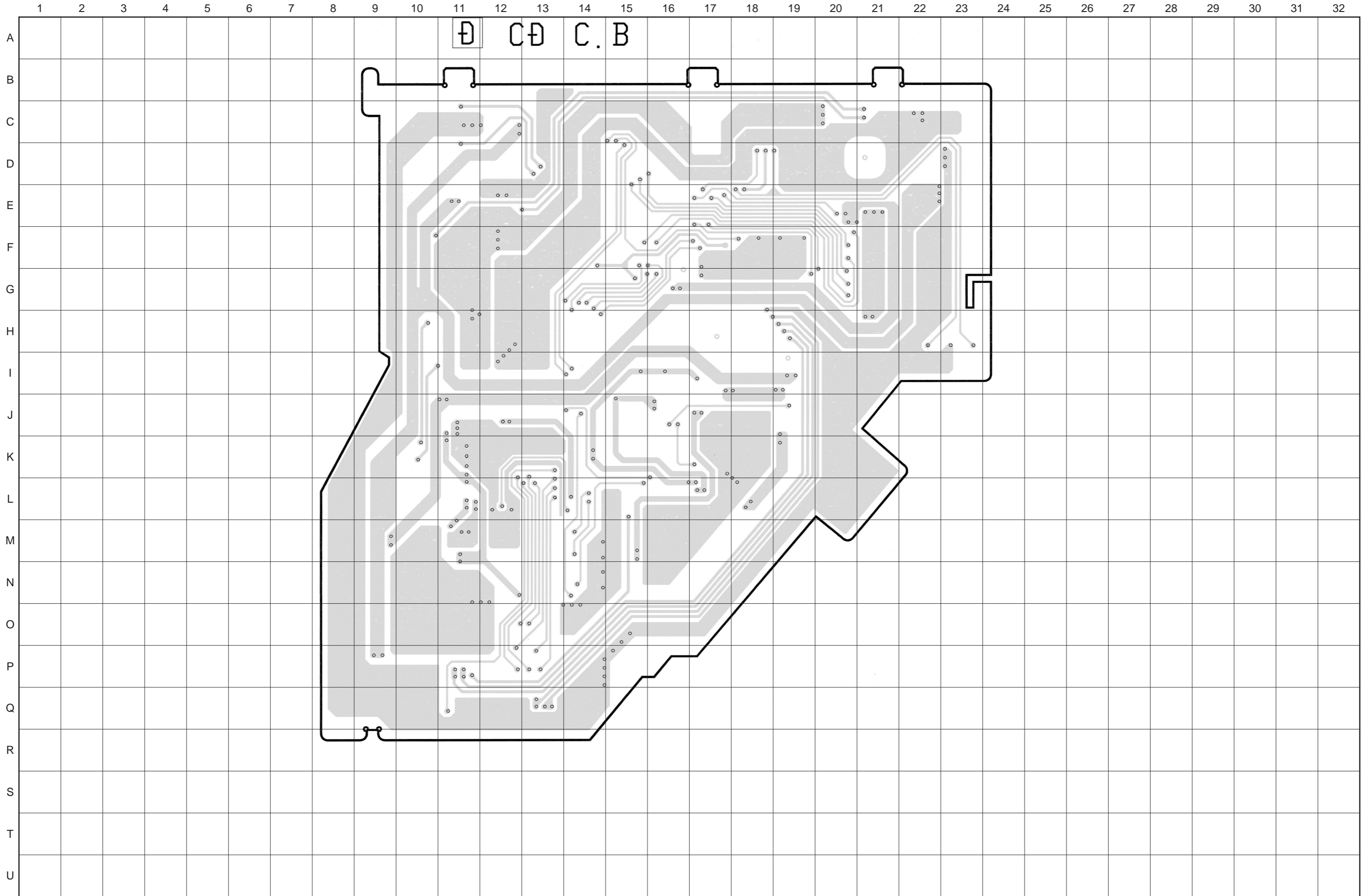






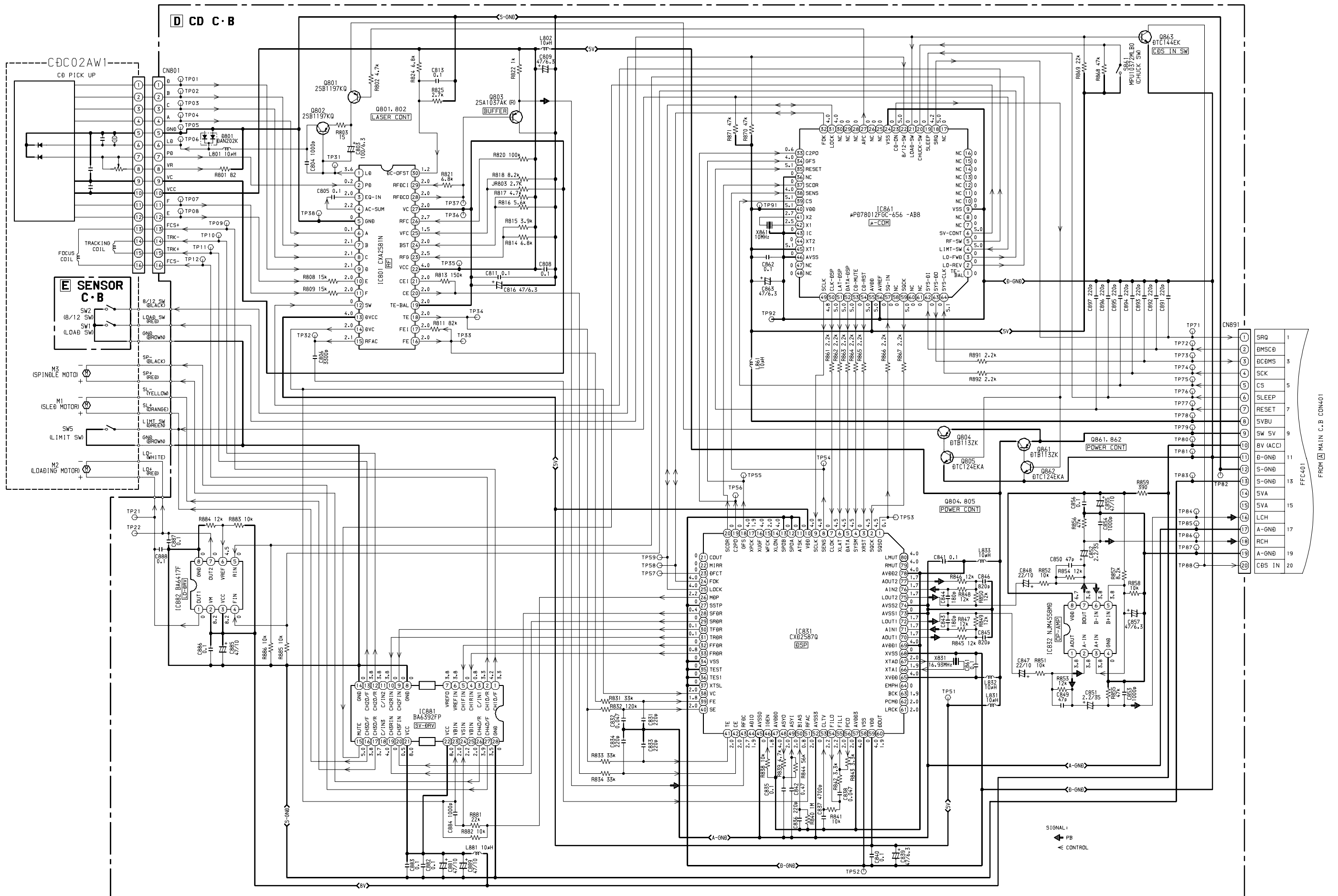






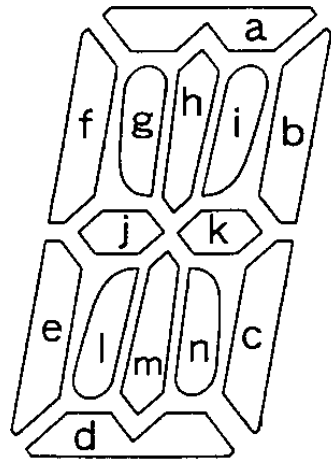
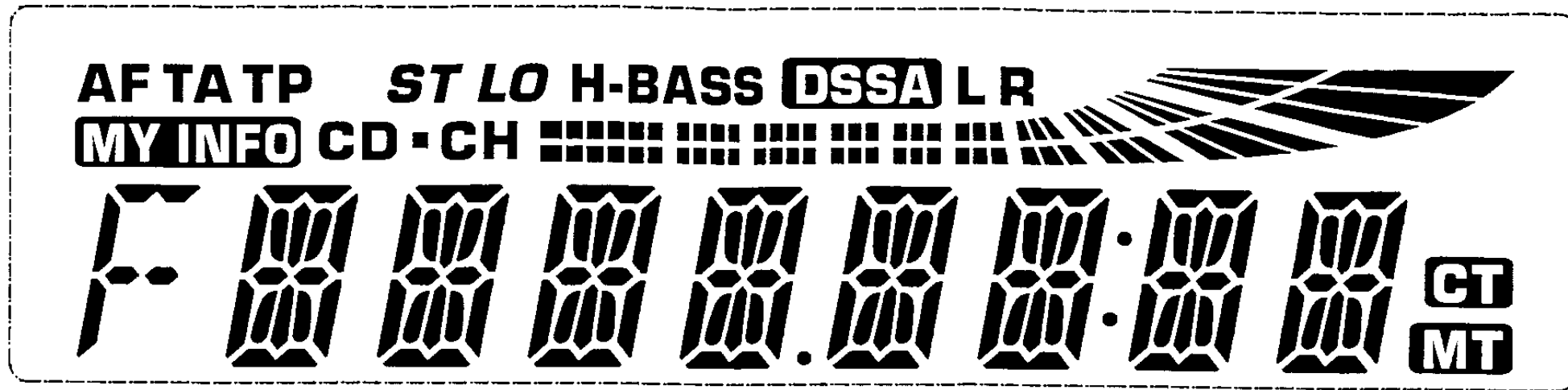


SCHEMATIC DIAGRAM - 3 (CD / SENSOR)

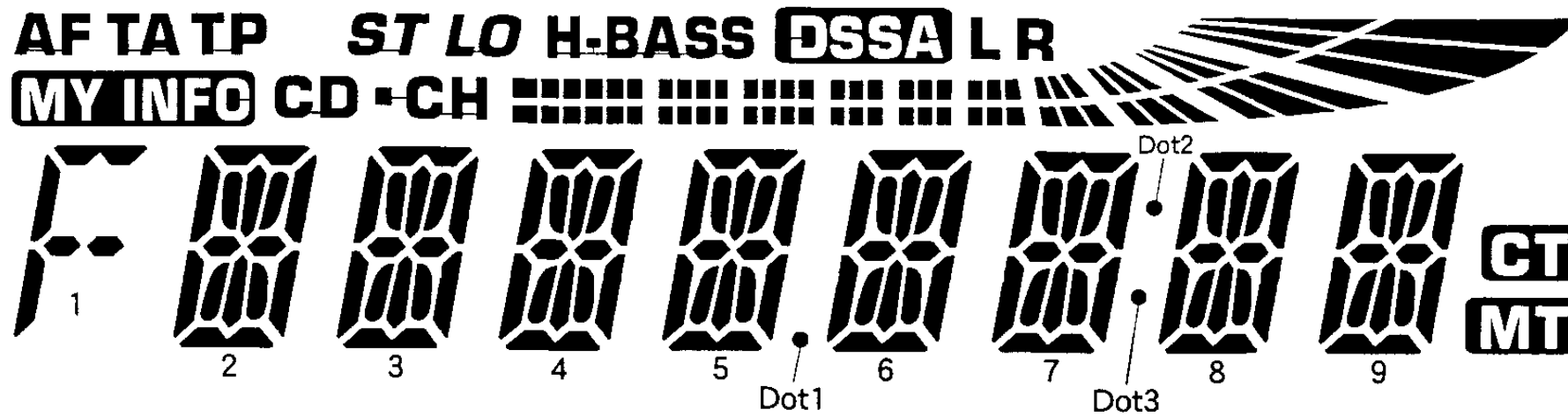
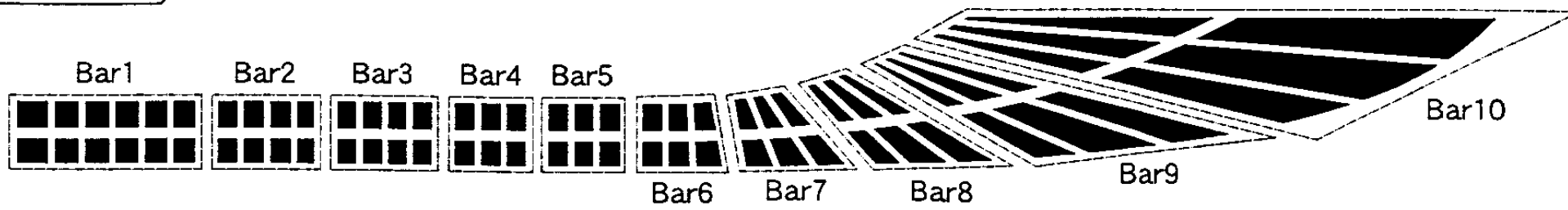


FROM MAIN C-B CON401





< CHARACTER NAME >



No	1	2	3	4	5	6	7	8	9	10	11	12	13	14	15	16	17	18
COM1	---	---	---	COM1	Bar8	Bar7	TP	2d	2m	2n	CD	3d	3m	3n	Bar1	4d	4m	4n
COM2	---	---	COM2	---	H-BASS	LO	ST	2e	2l	2k	2c	3e	3l	3k	3c	4e	4l	4k
COM3	---	COM3	---	---	R	L	DSSA	2f	2j	2i	2b	3f	3j	3i	3b	4f	4j	4i
COM4	COM4	---	---	---	AF	TA	MY INFO	1a,e,f,j,k	2g	2h	2a	-CH	3g	3h	3a	Bar2	4g	4h
No	19	20	21	22	23	24	25	26	27	28	29	30	31	32	33	34	35	36
COM1	Bar3	5d	5m	5n	Dot1	6d	6m	6n	Bar6	7d	7m	7n	Dot3	8d	8m	8n	Bar10	9d
COM2	4c	5e	5l	5k	5c	6e	6l	6k	6c	7e	7l	7k	7c	8e	8l	8k	8c	9e
COM3	4b	5f	5j	5i	5b	6f	6j	6i	6b	7f	7j	7i	7b	8f	8j	8i	8b	9f
COM4	4a	Bar4	5g	5h	5a	Bar5	6g	6h	6a	Dot2	7g	7h	7a	Bar9	8g	8h	8a	CT
No	37	38	39															
COM1	9m	9n	MT															
COM2	9l	9k	9c															
COM3	9j	9i	9b															
COM4	9g	9h	9a															

## IC DESCRIPTION

IC,  $\mu$ PD178018AGC-554-3B9

Pin No.	Pin Name	I/O	Description
1	FM/AM S-M	I	Input RDS AF IN signal and FM/AM S meter signal.
2	LEVEL IND	I	Input level indicator signal.
3	A-VOL CONT	I	Detect mic input and operate auto volume. (Not used)
4	CD CONNECT	I	Connectivity check to CD changer.
5	CD DISP SEL	O	Communication timing signal output to CD changer ("H" = TX, "L" = RX).
6	CD CLO	O	Output synchronous clock signal for sending to CD changer.
7	CD DI	I	Input data signal for receiving from CD changer.
8	CD DO	O	Output data signal for sending to CD changer.
9	CD CLI	I	Input synchronous clock signal for receiving from CD changer.
10	LCD CE	O	LCD driver (LC75854W) : Output CE signal.
11	CLK SEL	O	CLock selection for CDS and LCD driver (LC75854W) ("H" = CDS, "L" = LCD).
12	LCD DI	I/O	LCD driver (LC75854W) : Input data signal.
13	LCD DO	O	LCD driver (LC75854W) : Output data signal.
14	LCD CLO	O	LCD driver (LC75854W) : Output synchronous clock signal.
15	CD ACC CONT	O	Output CD changer ACC signal.
16	POWER MUTE	O	Output POWER MUTE signal.
17	ST-BY MUTE	O	Output STANDBY MUTE signal.
18	POWER CONT	O	Output POWER CONTROL signal.
19	CONT1	O	LCD driver contrast controller 1.
20	CONT2	O	LCD driver contrast controller 2.
21	GND	-	GND.
22	VDD	-	Power supply.
23	MUTE	O	Output audio mute.
24	BAND CONT	O	Output AM/FM power supply switching ("H" = AM, "L" = FM).
25	RADIO CONT	O	Output radio power switching ("L" = Radio mode).
26	RDS MODE	O	Output "H" when RDS AF mode. (Not used)
27	IF REQ	O	Output request for IF count signal.
28	AM IF	I	Input AM IF count signal.
29	FM IF	I	Input FM IF count signal.
30	VDD PLL	-	Power supply for PLL.
31	FM OSC	I	Input FM local oscillation.
32	AM OSC	I	Input AM local oscillation.
33	GND PLL	-	Connected to GND for PLL.
34	EO0	O	Output error from charge pump. (Not used)
35	EO1	O	Output error from charge pump.
36	GND	-	GND.
37	LOC/DX	O	Output LOC/DX switching when seeking radio broadcast ("H" = LOC, "L" = DX).
38	SD/ST IND	I	Input stereo signal. Enable when receiving FM broadcast ("H" = MONO, "L" = ST)/ Input FM/AM broadcast detection signal when seeking ("H" = Detect broadcast).
39	PHONE MUTE	I	External mute control.
40	CDS CS	O	CDS : Output CS signal.

Pin No.	Pin Name	I/O	Description
41	CDS RESET	O	CDS : Output reset signal.
42	CDS SLEEP	O	CDS : Output sleep signal.
43	CDS STOP	I	CDS : Input stop signal.
44	CDS IN	I	CDS : Input disc inserted status detection.
45	TEST	I	Test point.
46 ~ 47	NC	I	Not connected.
48	LED	O	Output security LED ON/OFF ("H" = 120 ~ 130ms, 1 cycle = 3sec).
49 ~ 51	MI-1 ~ MI-3	I	Input diode matrix for initial setting.
52 ~ 54	MO-1 ~ MO-3	O	Output diode matrix for initial setting.
55	MO-4	O	Output diode matrix for initial setting. (Not used)
56 ~ 57	NC	O	Not connected.
58	ACC IN	O	Input ACC (power supply for accessory) ON/OFF.
59	BEEP	O	Output beep (3kHz, 50ms).
60	REMOTE	I	Input remote controller.
61	E-VOL CE	O	Output CE to electric volume (LC75374E).
62	E-VOL DO	O	Output data to electric volume (LC75374E).
63	E-VOL CLO	O	Output clock to electric volume (LC75374E).
64	DRV CONT	O	Output "H" when DRV status is 1/2.
65	RDS DI	I	Input RDS data (Pull down when not used).
66	DFP IN	I	Detect DFP (front panel) existence.
67	FLAP IN	I	Detect OPEN/CLOSE of FLAP DFP ("H" = DFP IN enable).
68	RDS CLI	I	Input RDS clock (Pull down when not used).
69	EJECT IN	I	Input eject detection when FLAP IN (Pin 67) is "L".
70	BATT IN	I	Input battery ON/OFF.
71	RE-1	I	Input rotary encoder 1.
72	RE-2	I	Input rotary encoder 2.
73	S-REQ	I	Input S-REQ signal.
74	REG CPU	-	Regulator for CPU power supply.
75	GND	-	GND.
76	X-OUT	O	System clock oscillator (4.5MHz) output.
77	X-IN	I	System clock oscillator (4.5MHz) input.
78	REG OSC	-	Regulator for oscillation circuit.
79	VDD	-	Power supply.
80	RESET	I	Input system reset.



IC, LC75374E

Pin No.	Pin Name	I/O	Description
1	RVR IN	I	4dB volume control input. Must be driven at a low impedance.
2	R COM	–	1dB volume control common pin.
3 ~ 5	RT1 ~ RT3	–	For the connection of capacitors that compensate for bass and treble in the tone control circuits. A high-frequency compensation capacitors must be connected between RT1 and RT2. A low-frequency compensation capacitors must be connected between RT2 and RT3.
6	RT OUT	O	Tone control output.
7	RS IN	I	Super bass input. Must be driven at a low impedance.
8	NC	–	Connected to GND.
9	NC	–	Not connected.
10 ~ 11	RSB1 ~ RSB2	–	For the connection of RCH super bass compensation capacitors.
12	FR IN	I	Fader input. Must be driven at a low impedance.
13	FR OUT	O	Fader output. The front and rear sides can be attenuated independently.
14	RR OUT		
15	VSS	–	GND.
16	CL	I	Serial data and clock input for control.
17	DI		
18	CE	–	Chip enable. Data is written in the internal latch when the chip enable signal goes "L" from "H", and each analog switch is activated. Data transfer is enabled at "H".
19	VREF	–	Generates a 1/2VDD power source. A capacitor must be connected between VREF and GND as a troubleshooting against power ripples.
20	RL OUT	O	Fader output. The front and rear sides can be attenuated independently.
21	FL OUT		
22	FL IN	I	Fader input. Must be driven at a low impedance.
23 ~ 24	LSB2 ~ LSB1	–	For the connection of LCH super bass compensation capacitors.
25	NC	–	Not connected.
26	NC	–	Connected to GND.
27	LS IN	I	Super bass input. Must be driven at a low impedance.
28	LT OUT	O	Tone control output.
29 ~ 31	LT3 ~ LT1	–	For the connection of capacitors that compensate for bass and treble in the tone control circuit. A high-frequency compensation capacitors must be connected between LT1 and LT2. A low-frequency compensation capacitors must be connected between LT2 and LT3.
32	L COM	–	1dB volume control common pin.
33	LVR IN	I	4dB volume control input. Must be driven at a low impedance.
34	LSELO	O	Input selector output pin.
35	AUX(L)	I	Signal input pins.
36	CD(L)		
37	TUN(L)		
38	TP(L)		
39	VDD	–	Power supply.

Pin No.	Pin Name	I/O	Description
40	TP(R)	I	Signal input pins.
41	TUN(R)		
42	CD(R)		
43	AUX(R)		
44	RSELO	O	Input selector output pin.

#### IC, LC75854W

Pin No.	Pin Name	I/O	Description
1	S1	O	LCD segment output.
2	S2	O	LCD segment output. (Not used)
3 ~ 37	S3 ~ S37	O	LCD segment output.
38 ~ 39	S38 ~ S39	O	LCD segment output. (Not used)
40 ~ 43	COM1 ~ COM4	O	LCD common driver output.
44 ~ 45	KS1 ~ KS2	O	Key scan output. (Not used)
46 ~ 49	KS3 ~ KS6	O	Key scan output.
50 ~ 54	KI1 ~ KI5	I	Key scan input. These pins incorporate pull-down resistors.
55	TEST	–	Test pin. (Connected to GND)
56	VDD	–	Power supply.
57	VDD1	I	2/3 bias voltage is applied to the LCD drive externally. (Must be connected to VDD2 when a 1/2 bias drive scheme is used)
58	VDD2	I	1/3 bias voltage is applied to the LCD drive externally. (Must be connected to VDD1 when a 1/2 bias drive scheme is used)
59	VSS	–	GND.
60	OSC	I	Resistor and capacitor are attached externally form an oscillator circuit.
61	DO	O	Serial data interface pin; output data.
62	CE	O	Serial data interface pin; chip enable.
63	CL	O	Serial data interface pin; synchronization.
64	DI	I	Serial data interface pin; data transferred.

## IC, CXD2587Q

Pin No.	Pin Name	I/O	Description
1	SQSO	O	Sub-Q 80-bit and PCM peak/level data output. CD TEXT data output.
2	SQCK	I	Clock input for reading SQSO.
3	XRST	I	System reset. Reset at "L".
4	SYSM	I	Muting input. Muted at "H".
5	DATA	I	Serial data input from CPU.
6	XLAT	I	Latch input from CPU. Latches serial data at the trailing edge.
7	CLOK	I	Clock input for serial data transfer from CPU.
8	SENS	O	SENS output to CPU.
9	SCLK	I	Clock input for reading SENS serial data.
10	VDD	–	Power supply of digital circuits.
11	ATSK	I/O	Input/output for anti-shock. (Connected to ground)
12	SPOA	I	Microprocessor extended interface (input A). (Connected to ground)
13	SPOB	I	Microprocessor extended interface (input B). (Connected to ground)
14	XLON	O	Microprocessor extended interface (output). (Not used)
15	WFCK	O	WFCK output. (Not used)
16	XUGF	O	WUGF output. MNT1 or RFCK is output when switched by command. (Not used)
17	XPCK	O	XPCK output. MNT0 is output when switched by command. (Not used)
18	CFS	O	GFS output. MNT3 or XROF is output when switched by command.
19	C2PO	O	C2PO output. GTOP is output when switched by command.
20	SCOR	O	Outputs "H" when Sub-code sync S0 or S1 is detected.
21	COUT	I/O	Track number count signal input/output. (Not used)
22	MIRR	I/O	Mirror signal input/output. (Not used)
23	DFCT	I/O	Defect signal input/output. (Not used)
24	FOK	I/O	Focus OK signal input/output.
25	LOCK	I/O	Outputs "H" when GFS sampled by 460 Hz is "H"; "L" when GFS is "L" continuously for 8 samplings. Or, a signal is input when LKIN is "1".
26	MDP	O	Spindle motor servo control output.
27	SSTP	I	Disc innermost edge detection signal input. (Connected to ground)
28	SFDR	O	Sled drive output.
29	SRDR	O	Sled drive output.
30	TFDR	O	Tracking drive output.
31	TRDR	O	Tracking drive output.
32	FFDR	O	Focus drive output.
33	FRDR	O	Focus drive output.
34	VSS	–	Ground of digital circuits.
35	TEST	I	TEST pin. (Connected to ground)
36	TES1	I	TEST pin. (Connected to ground)
37	XTSL	I	Crystal select input. "L" when 16.9344MHz crystal is used; "H" when 33.8688MHz crystal is used. (Connected to ground)
38	VC	I	Neutral voltage input.
39	FE	I	Focus error signal input.

Pin No.	Pin Name	I/O	Description
40	SE	I	Sled error signal input.
41	TE	I	Tracking error signal input.
42	CE	I	Neutral servo analog input.
43	RFDC	I	RF signal input.
44	ADIO	O	For test. (Not used)
45	AVSS0	–	Ground of analog circuits.
46	IGEN	I	Constant current input for OP amp.
47	AVDD0	–	Power supply of analog circuits.
48	ASYO	O	EFM full-swing output ("L" = VSS, "H" = VDD).
49	ASYI	I	Asymmetry comparator voltage input.
50	BIAS	I	Asymmetry circuit constant current input.
51	RFAC	I	EFM signal input.
52	AVSS3	–	Ground of analog circuits.
53	CLTV	I	VCO1 control voltage input for multiplication.
54	FILO	O	Filter output for master PLL (Slave: Digital PLL).
55	FILI	I	Filter input for master PLL.
56	PCO	O	Charge pump output for master PLL.
57	AVDD3	–	Power supply of analog circuits.
58	VSS	–	Ground of digital circuits.
59	VDD	–	Power supply of digital circuits.
60	DOUT	O	Digital output. (Not used)
61	LRCK	O	D/A interface LR clock output $f = F_s$ . (Not used)
62	PCMD	O	D/A interface serial data output (2's COMP, MSB first). (Not used)
63	BCK	O	D/A interface bit clock output. (Not used)
64	EMPH	O	Outputs "H" when disc to be played is applied with emphasis; "L" when disc is not applied with emphasis. (Not used)
65	XVDD	–	Power supply of master clock.
66	XTAI	I	Crystal oscillator input. External master clock is input to this pin.
67	XTAO	O	Crystal oscillator output.
68	XVSS	–	Ground of master clock.
69	AVDD1	–	Power supply of analog circuits.
70	AOUT1	O	Lch analog output.
71	AIN1	I	Lch OP amp input.
72	LOUT1	O	Lch LINE output.
73 ~ 74	AVSS1, AVSS2	–	Ground of analog circuits.
75	LOUT2	O	Rch LINE output.
76	AIN2	I	Rch OP amp input.
77	AOUT2	O	Rch analog output.
78	AVDD2	–	Power supply of analog circuits.
79	RMUT	O	Rch "0" detection flag. (Not used)
80	LMUT	O	Lch "0" detection flag. (Not used)

## IC, CXA2581N

Pin No.	Pin Name	I/O	Description
1	LD	O	APC amp output.
2	PD	I	APC amp input.
3	EQ-IN	I	RFAC-system VCA/EQ block input.
4	AC-SUM	O	RFAC-system RF SUM output.
5	GND	–	Ground.
6	A	I	A-signal input.
7	B	I	B-signal input.
8	C	I	C-signal input.
9	D	I	D-signal input.
10	E	I	E-signal input.
11	F	I	F-signal input.
12	SW	I	MODE switching signal input.
13	DVCC	O	Digital power supply.
14	DVC	O	DVC output.
15	RFAC	O	RFAC signal output.
16	FE	O	Focus error signal output.
17	FEI	I	FE amp virtual ground.
18	TE	O	Tracking error signal output.
19	TE-BAL	I	TE balance adjustment.
20	CE	O	Center error signal output.
21	CEI	I	CE amp virtual ground.
22	VCC	I	Power supply.
23	RFG	I	RFAC-system VCA block low-frequency gain adjustment.
24	BST	I	EQ boost level adjustment.
25	VFC	I	EQ cutoff frequency adjustment.
26	RFC	I	EQ cutoff frequency adjustment.
27	VC	O	VC voltage output.
28	RFDCO	O	RFDC signal output.
29	RFDCI	I	RFDC amp virtual ground.
30	DC-OFST	I	RFDC signal output offset adjustment.

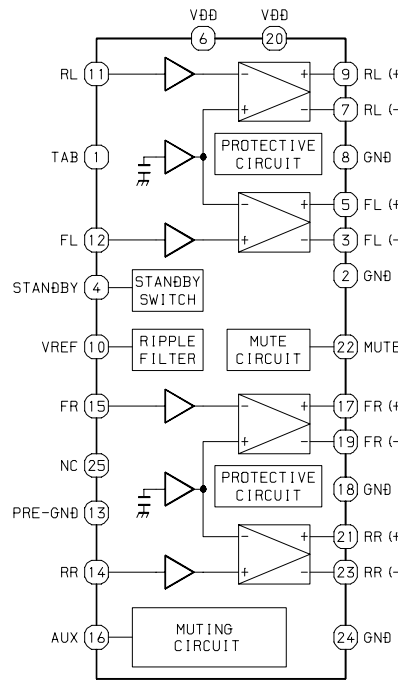


IC,  $\mu$ PD78012FGC-656-AB8

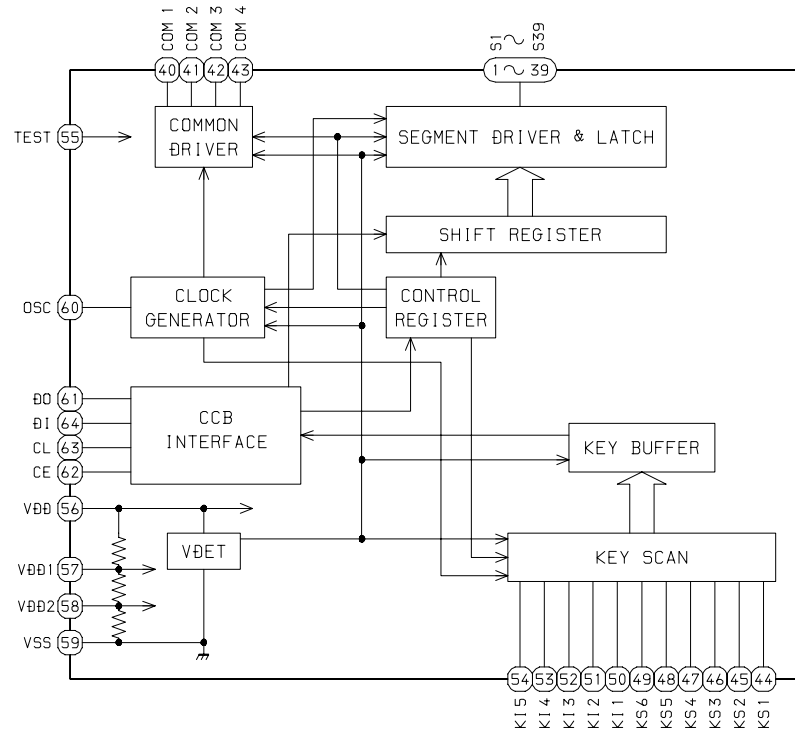
Pin No.	Pin Name	I/O	Description
1	TE-BAL	-	Not used.
2	LO-REV	O	Loading motor reverse drive output.
3	LO-FWD	O	Loading motor forward drive output.
4	LIMIT-SW	I	Inner edge limit switch.
5	RE-SW	O	CD/CD-RW switching output.
6	SV-CONT	O	Outputs "H" when power is turned on. (When power is supplied, this pin outputs "H" after DSP is initialized.)
7 ~ 8	NC	-	Not connected.
9	VSS	-	Ground.
10 ~ 17	NC	-	Not connected.
18	SRQ	O	Mechanism microprocessor communication request.
19	SLEEP	I	SLEED request from system microprocessor.
20	CHUCK-SW	I	Chucking complete switch.
21	LOAD-SW	I	Disc loading switch.
22	8/12-SW	I	8/12-cm check switch.
23	CD-ON	O	CD mechanism power control output.
24	VSS	-	Ground.
25 ~ 26	NC	-	Not connected.
27	APC	O	Laser on/off switching output.
28 ~ 30	NC	-	Not connected.
31	LOCK	I/O	Outputs "H" when GFS sampled by 460 Hz is "H"; "L" when GFS is "L" continuously for 8 samplings. Or, a signal is input when LKIN is "1".
32	FOK	I/O	Focus OK signal input/output.
33	C2PO	I	C2PO input.
34	GFS	I	GFS input.
35	RESET	I	System reset input.
36	NC	-	Not connected.
37	SCOR	I	Sub-code sync input.
38	SENS	I	SENS input.
39	CS	I	CS signal input.
40	VDD	-	Power supply.
41	X2	-	For generating main system clock.
42	X1	I	For generating main system clock.
43	IC	-	Connected to ground.
44	XT2	-	Not used.
45	XT1	-	Connected to VDD.
46	AVSS	-	Ground.
47 ~ 48	NC	-	Not connected.
49	SCLK	O	Outputs clock for reading SENS serial data.
50	CLK-DSP	O	Outputs clock for transferring DSP serial data.
51	LAT-DSP	O	DSP serial data latch output.

Pin No.	Pin Name	I/O	Description
52	DATA-DSP	O	DSP serial data output.
53	CD-MUTE	O	Muting output.
54	CD-RST	O	CD reset output.
55	AVDD	–	Power supply.
56	AVREF	–	A/D converter reference voltage input.
57	SQ-IN	I	Sub-Q/PCM peak/level data input.
58	NC	–	Not connected.
59	SQCK	O	Outputs clock for reading SQSO.
60 ~ 61	NC	–	Not connected.
62	SYS-DI	I	System microprocessor serial data input.
63	SYS-DO	O	System microprocessor serial data output.
64	SYS-CLK	I	System microprocessor serial sync clock input.

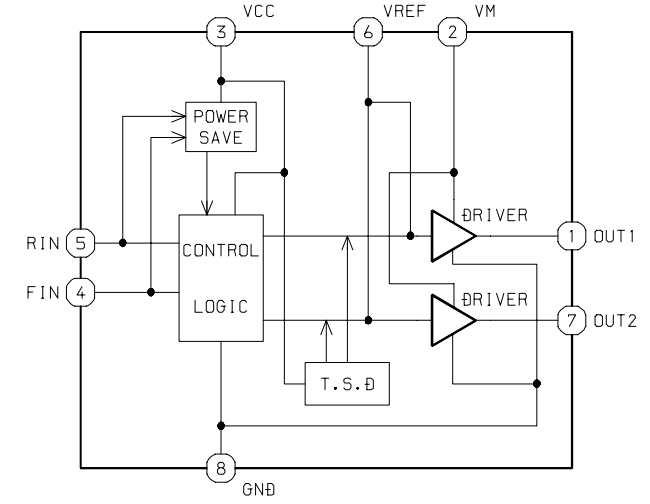
IC BLOCK DIAGRAM  
IC,LA4743B



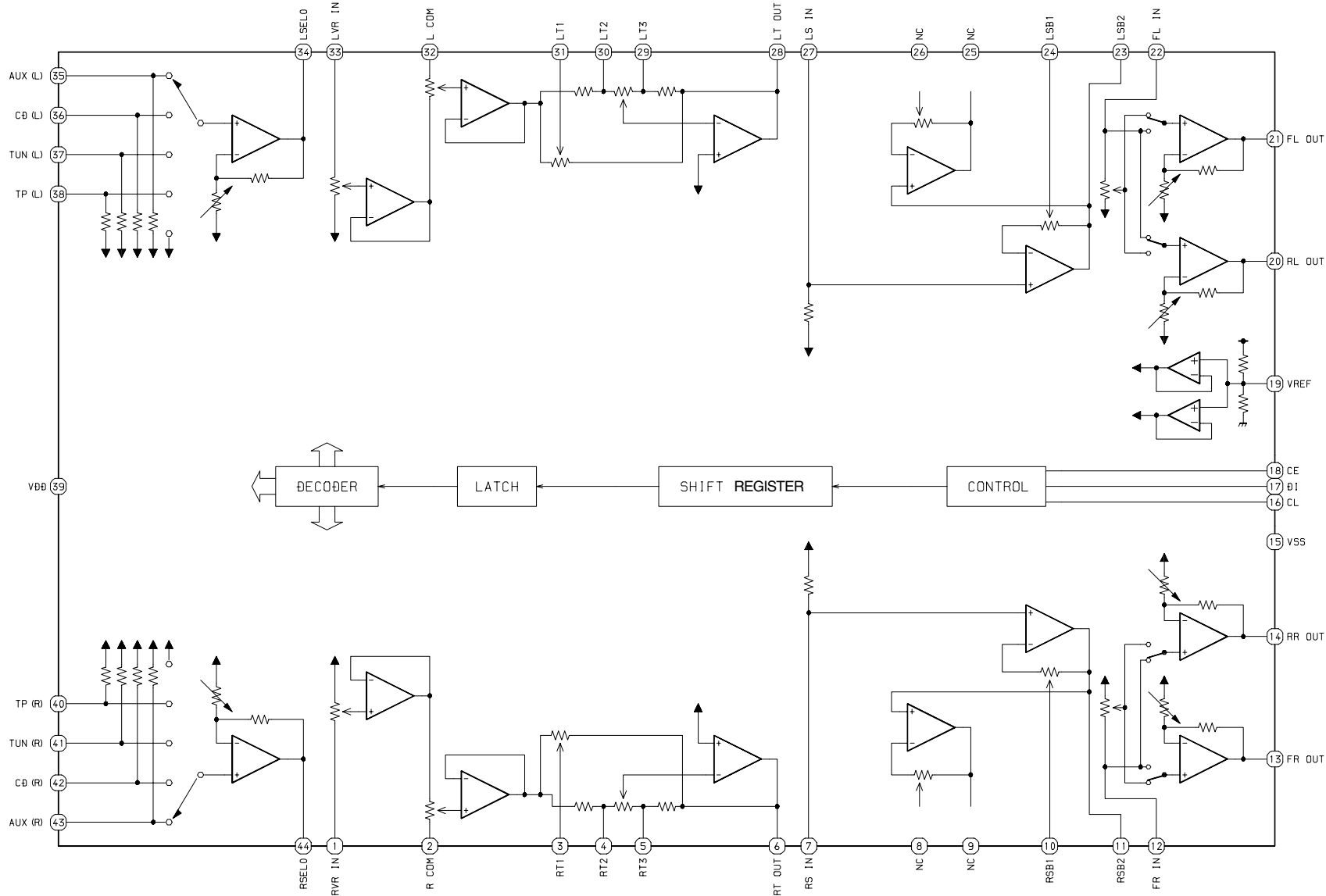
IC,LC75854W



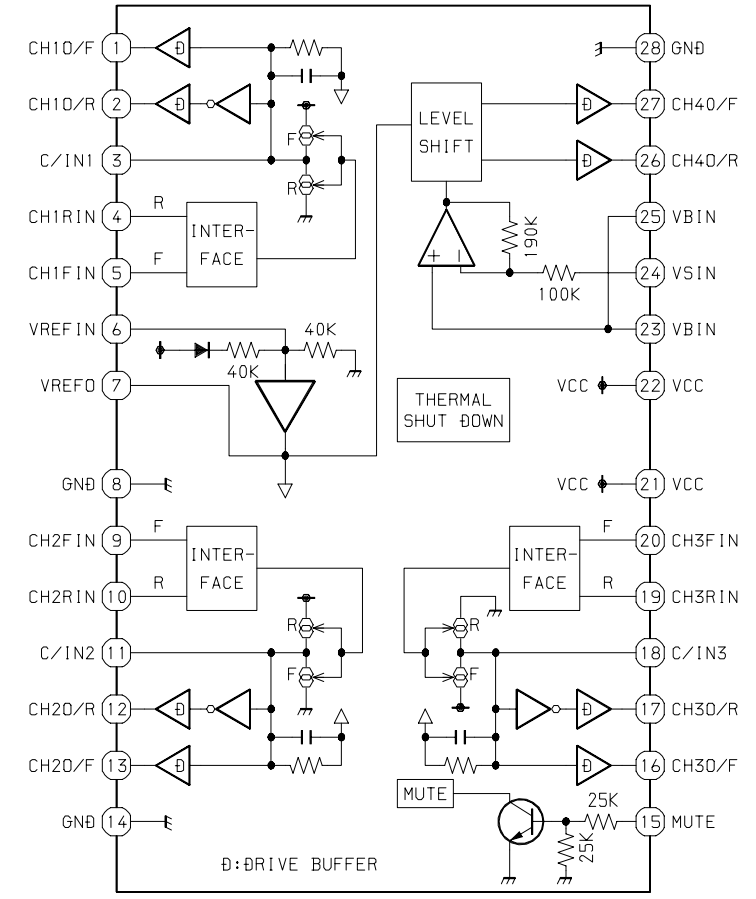
IC,BA6417F



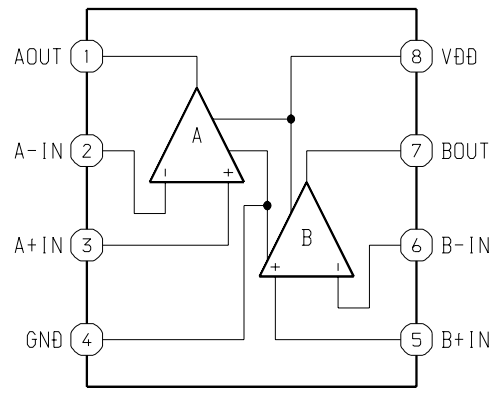
IC,LC75374E



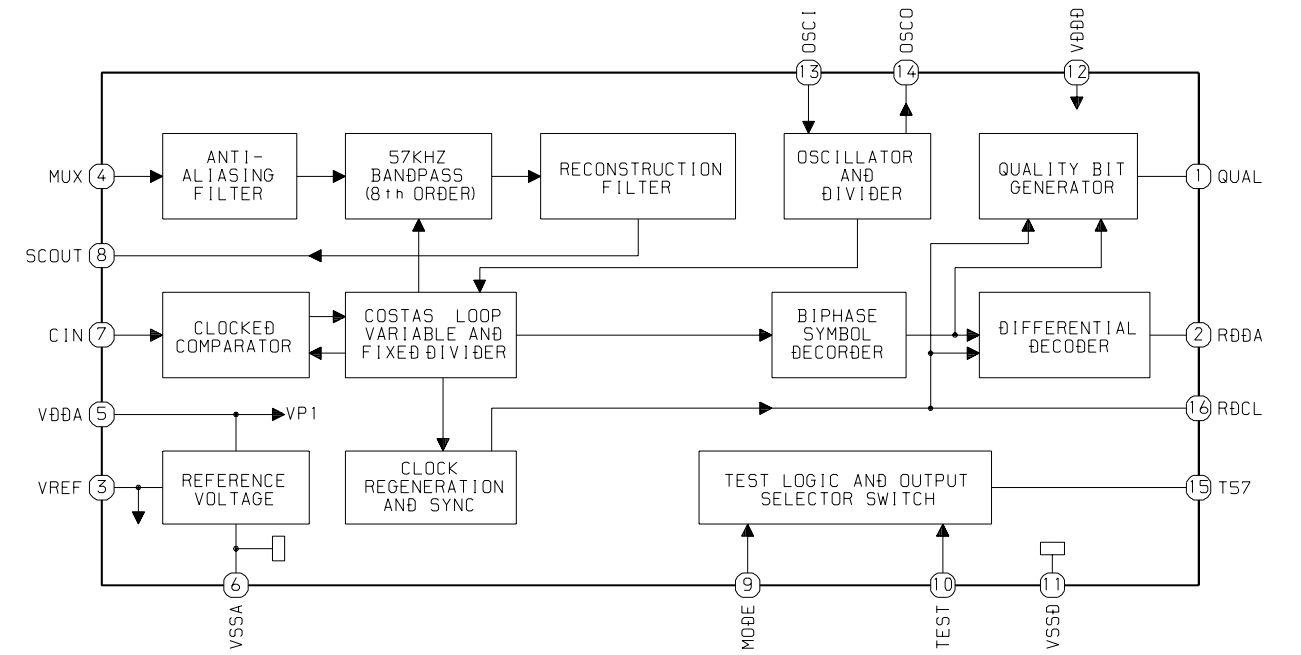
IC,BA6392FP



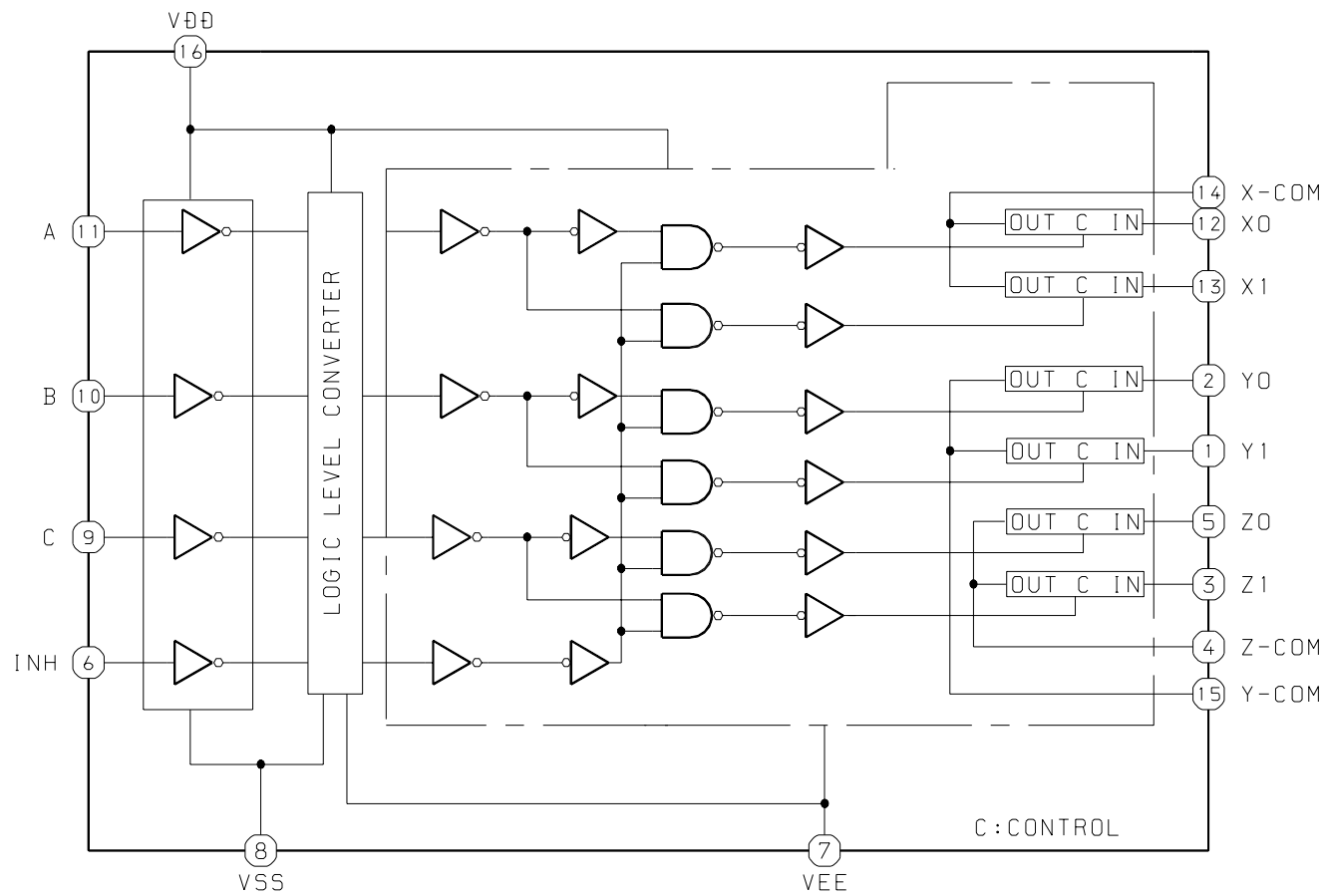
IC,NJM4558MD



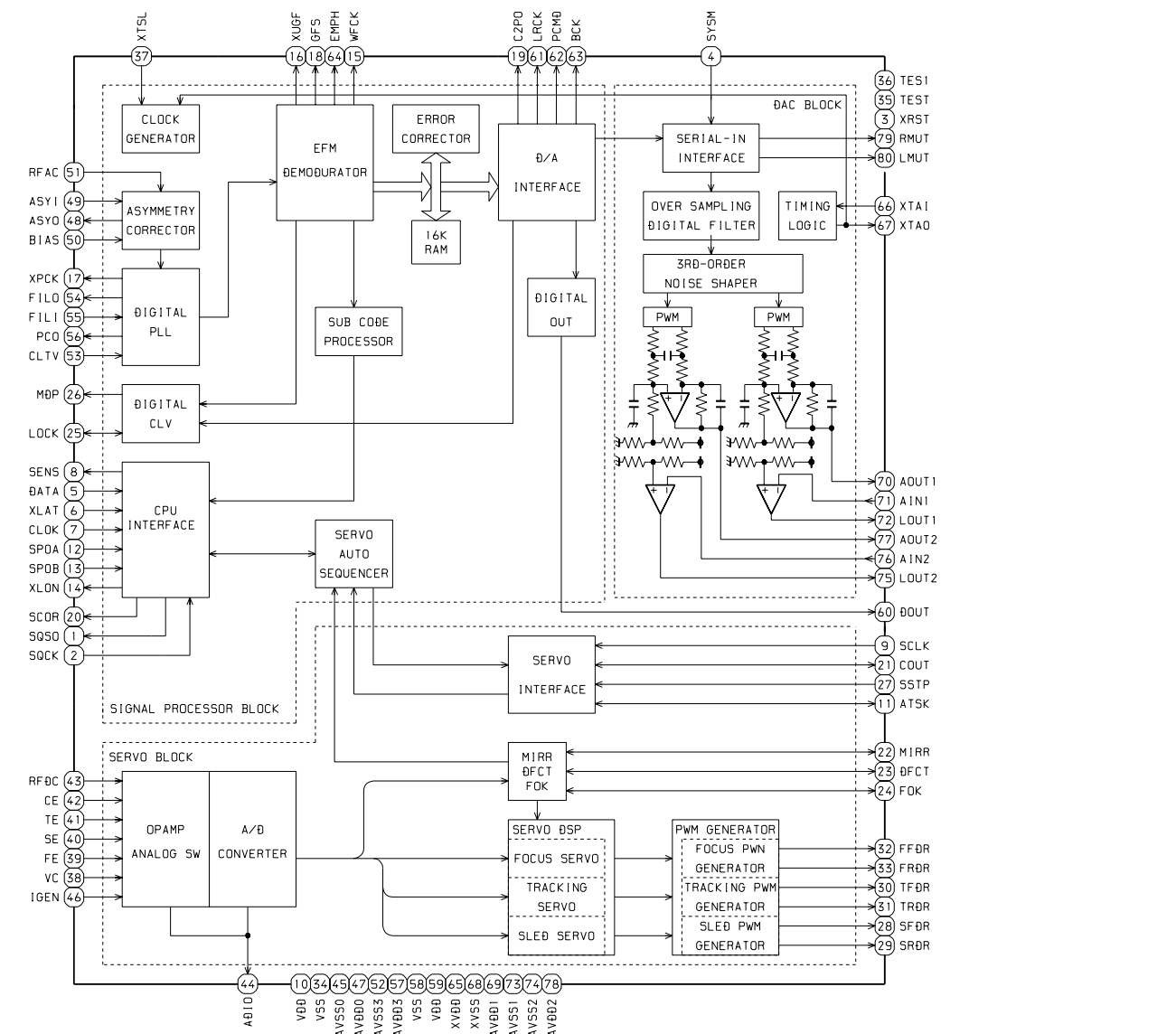
IC,SAA6579T



IC,TC4053BF



IC,CXD2587Q



## CD TEST MODE

### 1. How to activate CD test mode

- 1) Remove the resistor R907 (100kΩ) from the MAIN C.B, and add R999C 22kΩ or chip resistor to the MAIN C.B. (Fig. 1)
- 2) Connect +12V to ACC/BACK UP and – (minus) to the ground of the CONNECTOR ASSY.
- 3) Turn on the power.
- 4) Test mode will be activated and all LCD display will light up. (Fig. 2)

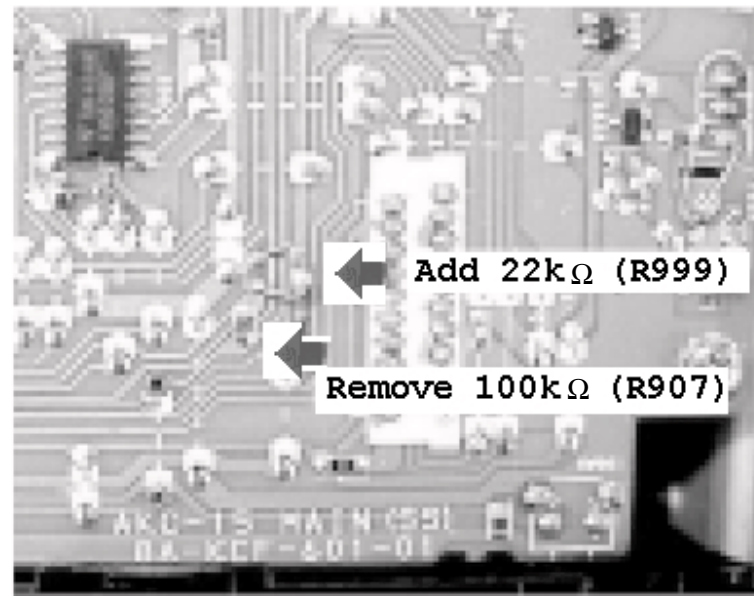


Fig. 1







Fig. 2

### 2. How to cancel CD test mode

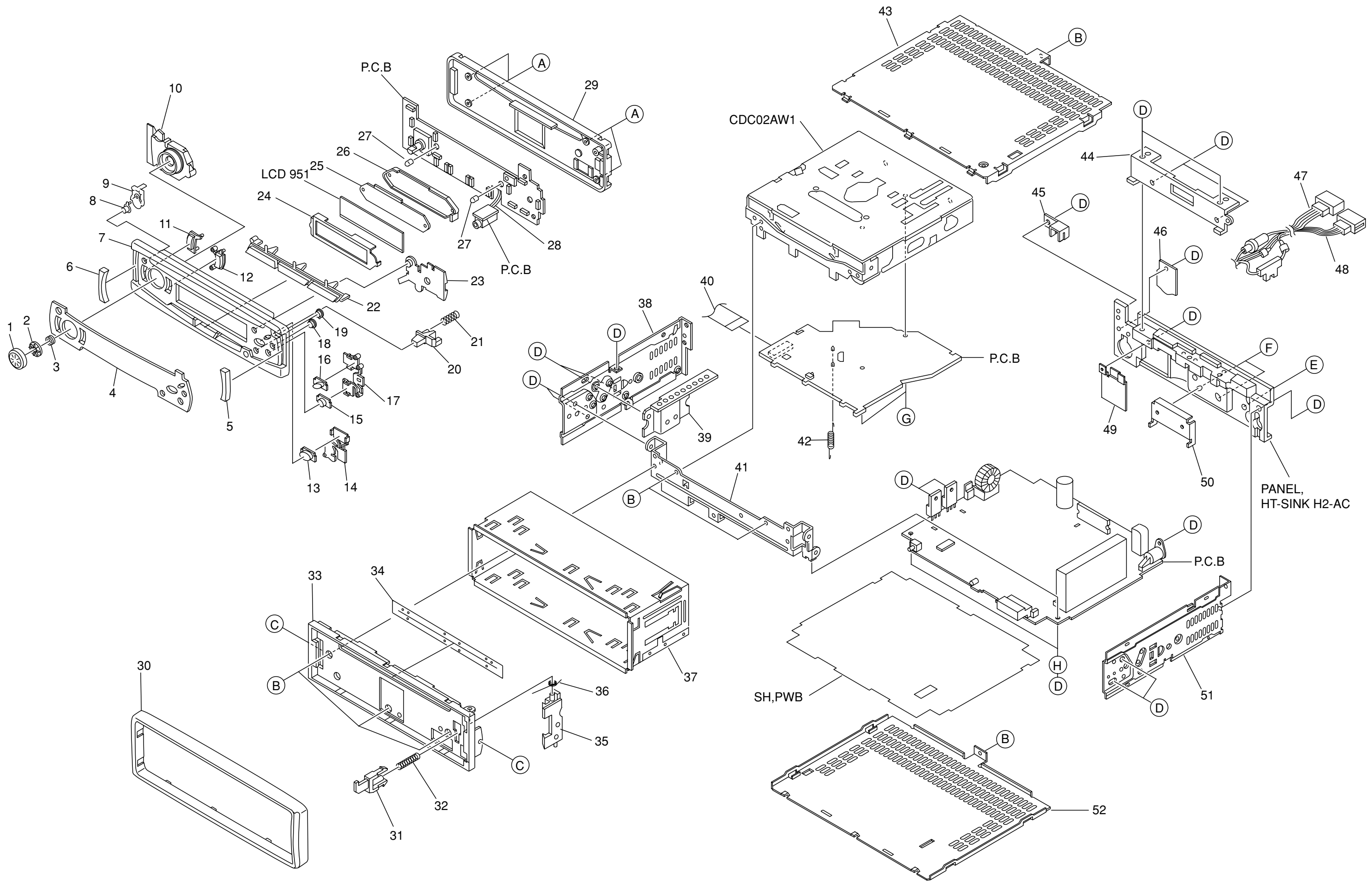
- 1) Turn off +12V to ACC/BACK UP
- 2) Solder back the resistor R907 (100kΩ) and remove the R999 (22kΩ) from the MAIN C.B
- 3) Disconnect +12V from ACC/BACK UP and – (minus) from the ground of the CONNECTOR ASSY.

### 3. CD test mode functions

Mode	Operation Key	LCD Display	Operation	Contents
Start Mode		All LCD light up		Activate test mode
			DISC LOADING UNLOADING DISC CHUCKING	<ul style="list-style-type: none"> <li>• Loading</li> <li>• All servo off</li> <li>• Laser on</li> <li>• VCC on</li> </ul>
Search Mode	RANDOM		<ul style="list-style-type: none"> <li>• Continual focus search (The pickup lens repeat the full-swing)</li> <li>*NOTE 1</li> </ul>	<ul style="list-style-type: none"> <li>• Check APC circuit</li> <li>• Laser current measurement</li> <li>• Check focus error waveform</li> </ul>
Play Mode	REPEAT 1	<ul style="list-style-type: none"> <li>• TOC reading</li> <li>• Display Track No. and Play time</li> <li>• Display Level/Ing.</li> </ul>	<ul style="list-style-type: none"> <li>• Normal playback</li> <li>• Same operation as search mode if TOC cannot be read</li> </ul>	<ul style="list-style-type: none"> <li>• Focus servo</li> <li>• Tracking servo</li> <li>• CLV servo</li> <li>• SLED servo</li> </ul>
Traverse Mode	INT	• Display Track No. and Play time	Playback pause status	Tracking servo off
Stop Mode	REPEAT	All LCD light up	Wait status	<ul style="list-style-type: none"> <li>• All servo off</li> <li>• Laser on/off</li> </ul>
Sled Mode	 	All LCD light up	<ul style="list-style-type: none"> <li> • Pickup moves to outer track</li> <li> • Pickup moves to inner track</li> </ul>	<ul style="list-style-type: none"> <li>• Sled servo</li> <li>• Check mechanism operation</li> </ul>

- Do not insert the CD disc when checking the search mode.
- Press the REPEAT key to release each mode.

\* NOTE 1 : There is a case that the CD cannot be operated owing to the protection circuit being operated when heat builds up in the driver IC if the focus search is operated continually for more than 10 minutes.  
In this case, the power supply should be switched off for 10 minutes until the heat has been reduced and then re-start.



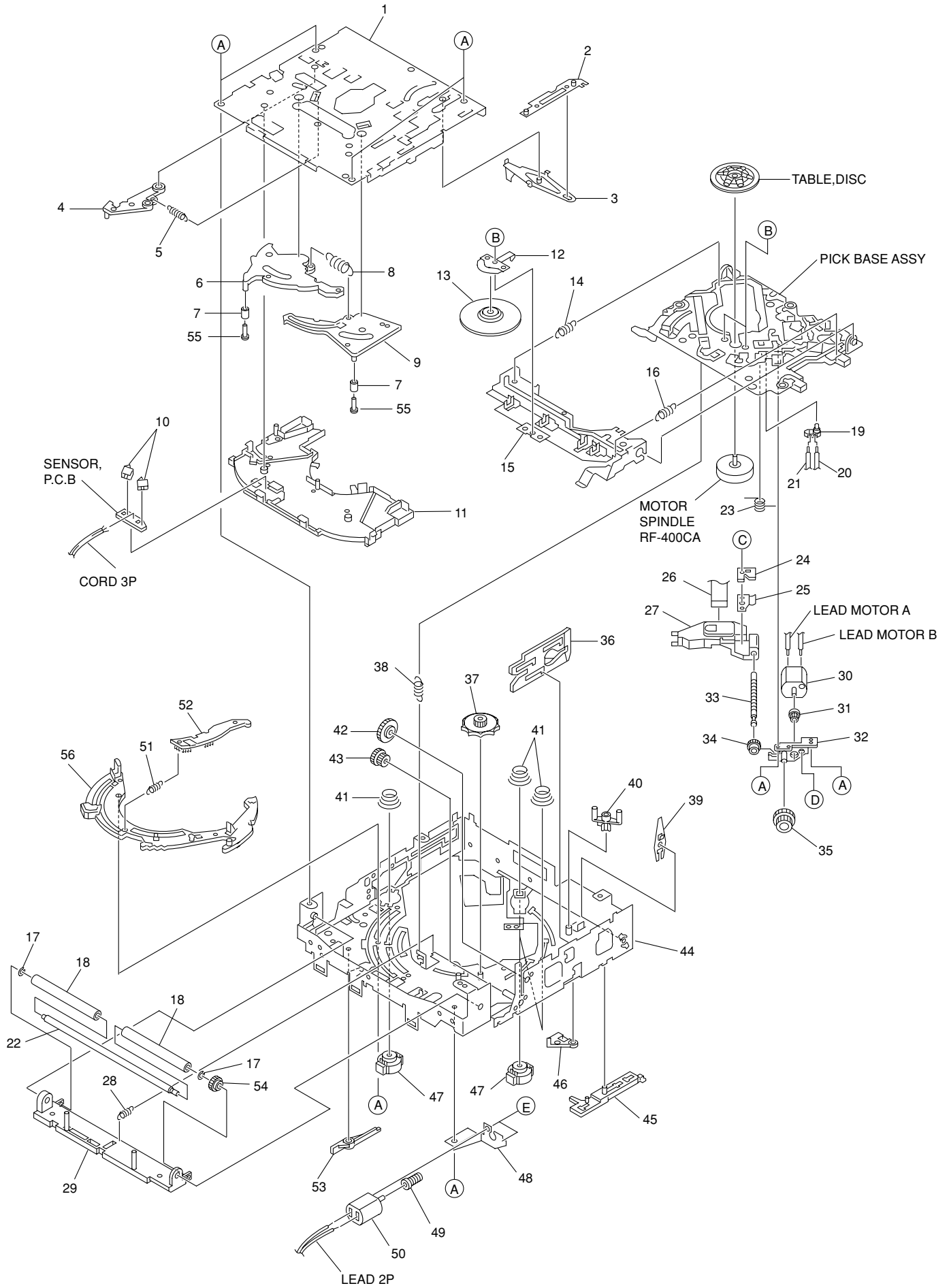
# MECHANICAL PARTS LIST 1 / 1

REF. NO.	PART NO.	KANRI NO.	DESCRIPTION	REF. NO.	PART NO.	KANRI NO.	DESCRIPTION
1	8A-KC7-005-010		KNOB,RTRY -AC	33	8Z-KC2-011-210		CABI,BASE -C2
2	8A-KC7-020-010		RING,RTRY -AC	34	8A-KCF-220-010		COVER, DUST DFP -AC
3	8A-KC7-220-010		SPR-C,ROTARY -AC	35	8Z-KC2-204-210		LEVER,DFP LOCK -C2
4	8A-KC4-001-010		WINDOW,LCD R307<307>	36	8Z-KC2-222-010		SPR-T,DETACH LOCK-C2
4	8A-KC4-002-010		WINDOW,LCD RV407<407>	37	8Z-KC1-231-110		HLDR,HALF-C
5	8A-KCF-022-010		WINDOW,SIDE R -AC15	38	8Z-KC1-213-010		CHAS,SIDE L -C
6	8A-KCF-021-010		WINDOW,SIDE L -AC15	39	8A-KC7-230-010		HLDR,TR2 -AC
7	8A-KCF-001-010		CABI,FRONT -AC15	40	88-KC4-641-010		FF-CABLE, 20P 1.0 90MM
8	8A-KC7-014-010		BTN,CLEAR S -AC	41	8Z-KC2-201-210		CHAS,FRONT -C2
9	8A-KC7-208-010		HLDR,BTN L-AC	42	8A-KC7-255-010		SPR-C,WIRE
10	8A-KCF-211-010		LENS,ENCO -AC15	43	8Z-KC1-211-010		COVER, TOP -C
11	8A-KCF-007-010		BTN,SEESAW L -AC15	44	8Z-KC1-216-210		HLDR,DECK CDC-01
12	8A-KC7-007-010		BTN,SEESAW R -AC	45	8A-KC7-231-010		HLDR,ISO-WIRE 2 -AC
13	8A-KC7-011-010		BTN,CLEAR L -AC	46	8Z-KC3-201-010		COVER, CD BLIND -C
14	8A-KCF-208-010		HLDR,BTN R1 -AC15	47	8A-KT1-632-010		CONN ASSY,8P ISO-WHITE-A
15	8A-KC1-002-010		BTN,TA-AC	48	8A-KT1-631-010		CONN ASSY,8P ISO-BLACK-A
16	8A-KCF-012-010		BTN,CLEAR EJ -AC15	49	8Z-KC1-236-010		COVER, CONN.BLIND -C
17	8A-KCF-210-010		HLDR,BTN R3 -AC15	50	8A-KC7-224-010		HLDR,P-IC -AC
18	8A-KC3-011-010		BTN,AF -AC3	51	8Z-KC1-214-010		CHAS,SIDE R -C
19	8A-KCF-010-010		BTN,CLEAR S2 -AC15	52	8Z-KC1-256-010		COVER, BOTTOM RDS
20	8A-KCF-011-010		BTN,DETACH -AC15	A	8Z-KC1-253-010		S-SCREW,PT 2*8 BH+ BLK
21	8Z-KC2-223-010		SPR-C,DETACH -C2	B	87-B10-216-010		U+2.6-4.0 ZINC BLK (BH M2.6)
22	8A-KC7-006-010		BTN,PRE. -AC	C	8Z-KC1-251-010		S-SCREW,TH2.6-4.0-0.8
23	8A-KCF-212-010		LENS,R -AC15	D	87-251-073-410		SCREW,U+2.6-6
24	8A-KCF-215-110		HLDR,LCD -AC15	E	87-251-100-410		U+3-16
25	8A-KCF-213-010		LENS,LCD -AC15<307>	F	87-B10-259-010		UT2+3.0-10.0 W/O SLOT (BH TAP)
25	8A-KC3-212-010		LENS,LCD -AC3<407>	G	88-ZG5-317-010		S-SCREW,8ZG5S+2-4 W/O
26	8A-KCF-214-010		CASE,LCD LENS -AC15<307>	H	87-432-903-010		WASHER,WTE 2.6
26	8A-KC3-211-010		CASE,LCD LENS -AC3<407>				
27	8Z-KT1-236-010		CAP,LAMP BLU<307>				
28	8A-KC7-611-010		F-CABLE,3P (AUX)				
29	8A-KCF-002-010		CABI,REAR -AC15				
30	8A-KCF-020-010		CABI,TRIM -AC15				
31	8Z-KC2-203-210		LEVER,DFP HOOK -C2				
32	8Z-KC2-221-110		SPR-C,DETACH HOOK-C2				

## COLOR NAME TABLE

Basic color symbol	Color	Basic color symbol	Color	Basic color symbol	Color
B	Black	C	Cream	D	Orange
G	Green	H	Gray	L	Blue
LT	Transparent Blue	N	Gold	P	Pink
R	Red	S	Silver	ST	Titan Silver
T	Brown	V	Violet	W	White
WT	Transparent White	Y	Yellow	YT	Transparent Yellow
LM	Metallic Blue	LL	Light Blue	GT	Transparent Green
LD	Dark Blue	DT	Transparent Orange	GM	Metallic Green
YM	Metallic Yellow	DM	Metallic Orange		

# CD MECHANISM EXPLODED VIEW 1 / 1





# CD MECHANISM PARTS LIST 1 / 1

REF. NO.	PART NO.	KANRI NO.	DESCRIPTION	REF. NO.	PART NO.	KANRI NO.	DESCRIPTION
1	S1-100-510-130		COVER TOP	36	S1-100-520-170		LEVER, R
2	S1-100-510-090		LEVER RELEASE	37	S1-100-520-140		GEAR H CAM
3	S1-100-510-180		ARM START SET	38	S1-100-540-080		SP SUB DAMPER
4	S1-100-520-220		LEVER, SENSOR	39	S1-100-510-080		ARM, R
5	S1-100-540-070		SP LEVER SENSOR	40	S1-100-520-180		LEVER, LOCK
6	S1-100-520-050		DISC ARM L	41	S1-100-540-030		DAMPER SP
7	S1-100-530-260		ROLLER ARM DISC	42	S1-100-520-130		GEAR LOAD
8	S1-100-540-040		SP ARM DISC	43	S1-100-520-120		GEAR L H
9	S1-100-520-060		DISC ARM R	44	SX-100-710-030		CHASSIS ASSY
10	S1-100-570-760		SW, LOAD MPU10853MLB2	45	S1-100-520-160		LEVER, KICK
11	S1-100-520-230		GUIDE TOP	46	S1-100-520-270		LEVER, SUB KICK
12	S1-100-510-070		PLATE CLAMPER	47	S1-100-760-010		DAMPER ASSY
13	S1-100-520-040		CLAMPER	48	S1-100-510-060		BRACKET, L M
14	S1-100-740-020		SP, ARM CHUCK (L)	49	S1-100-520-200		MOTOR WORM
15	S1-100-510-030		ARM CHUCK	50	S1-100-770-080		MOTOR LOAD
16	S1-100-740-040		SP ARM CHUCK (R)	51	S1-100-540-090		SP GEAR SUB
17	S2-181-600-50D		PSW, 1.6-5-0.25 (CUT)	52	S1-100-520-030		GEAR SUB CAM
18	S1-100-750-020		LOLLER LOADING	53	S1-100-520-250		LEVER, SW
19	S1-100-570-070		SW, LNNER	54	S1-100-520-210		GEAR, ROLLER
20	S1-100-570-140		LEAD SW A	55	S1-100-530-250		PIN ARM DISC
21	S1-100-570-150		LEAD SW B	56	S1-100-520-020		GEAR CAM
22	S1-100-530-060		SHAFT ROLLER	A	S1-100-550-030		SCREW, XP
23	S1-100-740-010		SP FEED	B	S2-101-170-22P		(+) P. PRECISION SCREW M1.7-2.2
24	S1-100-510-110		GUIDE, SPG	C	S2-103-170-60P		(+) P. PRECISION SCREW M1.7-6
25	S1-100-720-040		GUIDE A	D	S2-103-200-40P		(+) P. PRECISION SCREW M2.0-4.0
26	S1-100-570-790		FLEX PICK (FOC)	E	S2-101-200-25P		(+) P. PRECISION SCREW M2.0-2.5
27	S1-100-770-090		PICK KSS-710A				
28	S1-100-540-100		SP LEVER UP				
29	S1-100-520-240		LEVER, UP				
30	S1-100-270-030		MOTOR, MAIN FF-030PK				
31	S1-100-520-110		GEAR MOTOR FEED				
32	S1-100-520-190		CASE, MOTOR				
33	S1-100-730-010		SCREW, FEED				
34	S1-100-520-090		GEAR, FEED A				
35	S1-100-520-300		GEAR FEED B				

**アイワ株式会社** 〒110-8710 東京都台東区池之端1-2-11 ☎03(3827)3111 (代表)  
**AIWA CO.,LTD.** 2-11, IKENOHATA 1-CHOME, TAITO-KU, TOKYO 110, JAPAN TEL:03 (3827) 3111